

# LOGILIFE

Price List  
USA 2023



logiflex

# Table of Contents

<b>Introduction</b>	<b>3</b>	Flex Tables	61	<b>Taylor</b>	<b>89</b>
Update Summary	4	Occasional Tables	62	Taylor Armchair	89
Our social responsibility	7	Overbed Table	70	Taylor Loveseat	90
Conditions of Sale	7	<b>Seating</b>	<b>71</b>	Taylor Sofa	91
How to Use the Price List	8	<b>Hosta</b>	<b>72</b>	<b>Classic - Day Bed</b>	<b>92</b>
Appendix A: Colors and Finishes	9	Manufacturing Standards	73	Day Bed	92
Appendix B: COM Fabric	10	Hosta - Patient Armchairs	74	<b>Freestanding Screens</b>	<b>93</b>
Appendix C: Customized Products	12	Hosta - Guest and Bariatric Armchairs	75	Freestanding Screens	93
<b>Classic Series</b>	<b>13</b>	Hosta - Tandem Seating	76	<b>Accessories</b>	<b>94</b>
Manufacturing Standards	14	Hosta - General Purpose Chairs	77	Handles	95
Bedside Cabinet	15	<b>Mika</b>	<b>78</b>	Legs	96
Dressers	17	Manufacturing Standards	79	Miscellaneous Accessories	97
Hutches	19	Mika - Patient Armchairs	80		
Wardrobes	21	Mika - Guest and Bariatric Armchairs	81		
Storage Towers	29	Mika - Tandem Seating	82		
Rectangular Headboard and Footboard	31	Mika - General Purpose Chairs	83		
<b>Modern Series</b>	<b>33</b>	<b>Stackable Chair</b>	<b>84</b>		
Manufacturing Standards	34	Stack6 - Visitor chair	84		
Bedside Cabinet	35	<b>Lounge Seating</b>	<b>85</b>		
Dressers	37	<b>Dean</b>	<b>86</b>		
Hutches	39	Dean Armchair	86		
Wardrobes	41	Dean Loveseat	87		
Storage Towers	49	Dean Sofa	88		
Rectangular Headboard and Footboard	51				
<b>Tables Series</b>	<b>53</b>				
Manufacturing Standards	54				
All Purpose Tables	55				



# Introduction

# Update Summary

The Logilife price list presents these principal modifications:

DATE	SECTION	MODIFICATIONS
July 24, 2023	All the pricelist	<ul style="list-style-type: none"><li>• Removal of series with thermoplastic Tradition, Shaker and Artisan.</li><li>• Removal of some oversize wardrobes.</li></ul>

Previous date:

DATE	SECTION	MODIFICATIONS
February 1, 2023	All the Price List	<ul style="list-style-type: none"><li>• All prices have been increased by approximately 5%.</li><li>• Transition from 6 to 14 grades of fabric.</li><li>• New certification Indoor Advantage Gold (replace Greenguard).</li><li>• Removal of the coaster option for LFT, LFC &amp; LFS.</li></ul>
August 9, 2022	All the Price List	<ul style="list-style-type: none"><li>• Modification of the drawer manufacturing standard for the Classic, Modern, Tradition, Shaker and Artisan series.</li></ul>
February 1, 2022	All the Price List	<ul style="list-style-type: none"><li>• All prices have been increased by approximately 6%.</li></ul>
	Conditions of Sales	<ul style="list-style-type: none"><li>• The order modification / cancellation deadline is changed to 48 hours.</li></ul>



# Introduction

## Product Map

### LFC - Classic Series

Bedside Cabinets p. 15



Dressers p. 17



Hutches p. 19



Wardrobes p. 21



Storage Towers p. 29



Headboards and Footboards p. 31



Freestanding Screens p. 93



### LFM - Modern Series

Bedside Cabinets p. 35



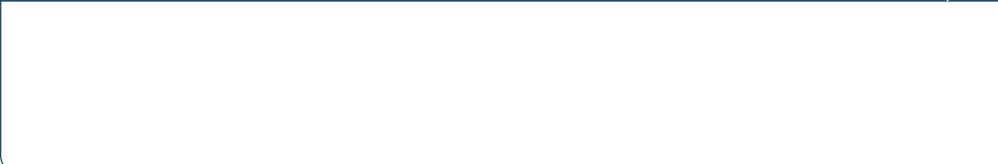
Dressers p. 37



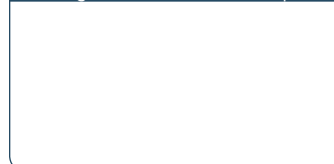
Hutches p. 39



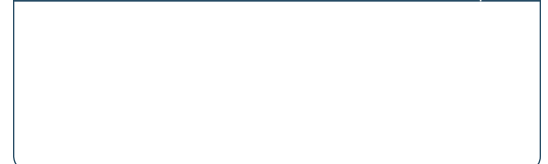
Wardrobes p. 41



Storage Towers p. 49



Headboards and Footboards p. 51



# Introduction

## Product Map

### Tables

All-Purpose Tables p. 55

Flex Tables p. 61

Occasional Tables p. 62



Overbed Table p. 70

### Seating

LFH - Hosta p. 72



\*

LFK - Mika p. 78



Visitor Chair p. 84



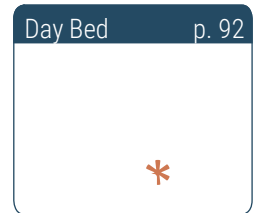
Dean p. 86



Taylor p. 89



Day Bed p. 92



\*

## Our social responsibility

At Logiflex, we have chosen to be a responsible North American manufacturer by implementing initiatives for sustainable development. As much as possible, we source local materials and partner with suppliers who prioritize clean manufacturing processes. We also consolidate goods during transport to reduce our fuel consumption and we continually make changes that help reduce our waste production.

The company is ISO 9001 certified.

You can consult our eco-responsible approach as well as all our certifications in the Certifications section of our website. Find out how our products can help you obtain LEED credits and the Logiflex products that are Indoor Advantage Gold certified.

## Conditions of Sale

### Prices

The amounts listed in this document are suggested retail prices and may be changed without notice. Applicable taxes are not included. If you have an open and active account with Logiflex, merchandise will be invoiced at the prices prevailing at the time of shipment. A deposit may be requested if the opening of your account has not been completed or if your account has become inactive.

### Terms of Payment

Net 30 days F.O.B. Sherbrooke, Quebec. The invoice will be assigned the shipping date and is payable 30 days from that date. Logiflex remains the owner of the merchandise until the invoice is paid in full.

### Customized Products (Special Items)

Price requests for customized products or special items can be submitted via the "Private Space" section of our website, at [www.logiflex.ca](http://www.logiflex.ca). Our quotations department will study your request and send you a quotation and a technical drawing for approval as soon as possible. Modifications to quotations or technical drawings can be requested the same way. The approved quotation(s) and technical drawing(s) can then be attached to your purchase order.

### Orders

An official purchase order must be issued for all purchases. Your purchase order must contain the following information:

- Your company letterhead
- Your reference number
- The delivery address (with contact name, email and phone number)
- The complete product codes
- Furniture colour(s)
- Quantities
- Descriptions
- Retail prices and net prices
- Project registration number (if applicable), and your approved quotation and technical drawing (for special items).

Please note that a quotation cannot serve as a purchase order.

### Returns

All returns must first be approved by Logiflex. If the return is accepted, a Logiflex customer service representative will send you an official return authorization form in order to facilitate procedures between you, the carrier, and the Logiflex merchandise reception clerk. Additional costs for shipping or other expenses may be applied following any merchandise returns.

### Modifications and/or Cancellations

You have 48 hours from the time we acknowledge receipt of your order to make any requests for corrections or modifications. You may cancel your order during this same 48-hour period. If you would like to modify or cancel your order after this 48-hour verification period, please check with a Logiflex customer service representative. Orders cannot be changed or cancelled if production has already begun or if Logiflex has already received the raw materials.

### Liability

Logiflex's liability ends once the carrier has delivered all items in good condition. A delivery receipt signed by the customer acknowledges that the shipment is complete and has been received in good condition.

### Claims

Logiflex recommends inspecting the shipment before signing the carrier's delivery receipt. You must notify Logiflex of any incomplete shipments or damaged furniture within 30 days after delivery. Requests to replace damaged products can be made via the "Private Space" section of our website, at [www.logiflex.ca](http://www.logiflex.ca). Our after-sales service department will examine your request and help you correct the situation.

### Changes

Logiflex reserves the right to make changes to the materials, accessories, components, specifications and designs, and to discontinue collections and/or models, at any time and without prior notice.

### Storage and/or Shipping Fees

According to the terms Logiflex set forth in the transport policy The transport policy can be consulted online in the Private Space.

### Items Delivered Disassembled

Some items are delivered disassembled, such as empty desks, empty returns, bridges, arched tables, D, P or Q tables, lateral tables, end tables, hook tables, corner tables and extended-corner tables.

### Warranty

Logiflex guarantees to the original purchaser that Logiflex products are free from defects in design, materials and workmanship for the product's lifetime, with certain exceptions.

You may consult the full warranty on the website: [Logiflex Warranty](#)

# Introduction

## How to Use the Price List

**Interactive Menu** → Classic | Modern | Tables | Seating | Accessoires

**Product group** → Classic Series

**Product name** → Bedside Cabinet

**Product code** → LFC TC1

**Product image** → [Isometric drawings of LFC TC1, LFC TC2L, and LFC TC2R with dimensions A, B, C and hinge locations L/R]

**Navigation buttons** (when blue): Previous View, Previous Page, Next Page, Product Map, Table of Contents

**Manufacturing Standards**

**TC1:**

- 1 drawer with H161 handle;
- 1 open section with 1 adjustable shelf;
- 1 air vent.

**TC2:**

- 1 drawer with H161 handle;
- 1 door cabinet with H161 handle and 1 adjustable shelf;
- 1 air vent.

**Handles:** For handles other than H161 standard, please choose from the Loglife list at no extra charge.

**Options**

**Locking Casters (set of 4)** → WF \$S

**Plastic Drawer Liner** → BP \$S

**How to Order**

LFC	ABC	TC1 TC2L TC2R	WF	H161 (std)	BP	
series	dimensions	code	casters	handles (p. 15)	drawer liner	
Example	LFC	201832	TC1	WF	H161	BP

**Prices**

**TC1**

Dimensions	A	B	C	LFC
201832	***	***	***	
241832	***	***	***	

**TC2**

Dimensions	A	B	C	LFC
201832	***	***	***	
241832	***	***	***	

**Standard Product Code**  
Details as per the price listed

**Options, if desired (\$)**  
Always after the product code

**Illustrated options** → [Images of Locking Casters and Plastic Drawer Liner]

**Navigation Buttons (when blue)** → WF, BP

**Ordering instructions** → [How to Order section]

**Dimensions** → [Price list table]

**Prices** → [Price list table]

**Additional Product Information and Notes** → [Manufacturing Standards section]

**Blue text hyperlink** → handles (p. 15)

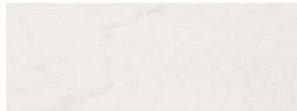
# Introduction

## Appendix A: Colors and Finishes

### 12 Wood Stains

Logiflex offers varnish and stain selection among the following 12 colors on all wood applications.

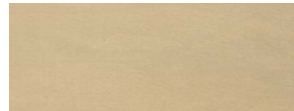
Knots and color variation can occur between different wood components of the same piece of furniture, or between different pieces of furniture. This variation is due to the natural characteristics of the wood, and is more contrasting for pale wood colors like Golden Wheat.



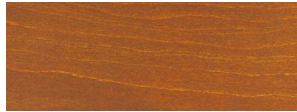
**WW** White Wash



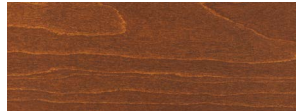
**GW** Golden Wheat



**SD** Sand



**AT** Apricot



**PN** Pecan



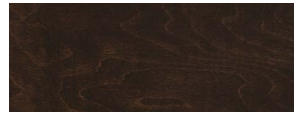
**BR** Brandy



**CT** Chestnut



**CF** Coffee



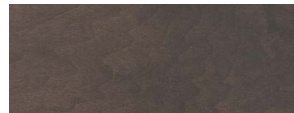
**ES** Espresso



**BO** Bordeaux

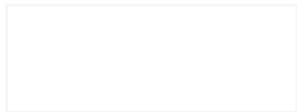


**BW** Black Wash



**BK** Bark

### Laminate Colors for Bedroom Furniture



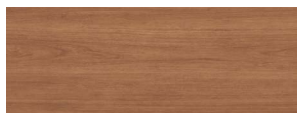
**W** Polar White



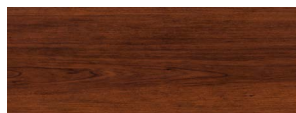
**EC** Classic Maple \*



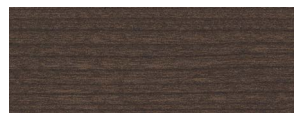
**DR** Driftwood \*



**TO** Tobacco



**BC** Brown Cherry



**CC** Classic Chocolate \*

### Laminate Colors for Tables

FINI FINISH	CODE	COLOR COULEUR	SURFACES	PANVAL CODE
			1"	
OMNIA	DOO	Dosha	•	K77
	COO	Cosmos	•	K78
AURA	GIA	Ginger Root   <i>Gingembre</i>	•	H72
	HAA	Haze   <i>Brume</i>	•	H57
	OHA	Ohm	•	K69
	STA	Storm   <i>Tempête</i>	•	H58
	TUA	Tundra	•	H75
LYRA	ASY	Asha	•	K47
	CIY	Chiffon   <i>Mousseline</i> **	•	K60
	KAY	Kali	•	K46
SUPERMAT	IGS	Ingot grey   <i>Gris lingot</i>	•	828
	WGS	Willow grey   <i>Gris saule</i>	•	802
DOLOMITE	AU	Audacity   <i>Audace</i> **	•	241
	B	Jet Black   <i>Noir intense</i> *	•	888   S405-CA
	BC	Brown cherry   <i>Cerisier brun</i>	•	207
	C	Slate   <i>Ardoise</i> *	•	801
	DR	Driftwood   <i>Bois de rive</i>	•	744
	G	Mink Grey   <i>Gris vison</i>	•	805   OU-927
	NM	Natural Maple   <i>Érable naturel</i>	•	206
	PO	Porto	•	913   OU-648
	SW	Smoked Walnut   <i>Noyer fumé</i>	•	G21
	TO	Tobacco	•	205
	W	Polar White   <i>Blanc polaire</i>	•	555   459-CA
WK	Whisky	•	245	

\* Non recommended color for work surfaces. **N** New  
Colors may vary from 2% to 5% between tfl and hpl laminates due to different technical applications.

See our complete [Colors & Finishes Guide](#)

## Appendix B: COM Fabric

### Upholstery Specification

Logiflex offers two options for upholstery specification:

Option 1 :	Customers may specify an upholstery from any supplier. Logiflex will then confirm upholstery grade and seat cost.
Option 2 :	Customers may select and purchase upholstery of their choice and ship upholstery to Logiflex (COM)

### Option 1 : Specified Upholstery

Customers may consult the websites of our principal suppliers to visualize their complete product range. It is then possible to consult the graded-in list available on Logiflex.ca to be informed of the appropriate Logiflex grade.

Website of the upholstery supplier gives essential information to the maintenance, availability, quality and performance of the selected upholstery. In all cases, the upholstery supplier's warranty will apply.

#### Information to provide with the order:

Customer name  
Purchase order number  
Upholstery supplier name  
Pattern name/number  
Color name/number  
Number of yards to order

#### Principal suppliers:

Momentum Textiles	themomgroup.com
Ennis Fabrics	ennisfabrics.com
Maharam	maharam.com
Designtex	designtex
Mayer Fabrics	mayerfabrics.com

See our Graded-In Program at:  
[logiflex.ca/medias/documents/logiflex-graded-in.pdf](https://logiflex.ca/medias/documents/logiflex-graded-in.pdf)

### Option 2 : Customer's Own Material (COM)

Logiflex offers the option of providing your own upholstery. The price will be based on the cushion grade 1. The upholstery must be received three weeks prior to the acknowledged ship date. Delay in COM receiving may cause shipment to be delayed.

Customers have the option to provide Logiflex with a sample for approval prior the order. If no sample is sent for approval in advance, Logiflex is not responsible of any cost caused by unsuitable upholstery for the product or the production process. Furthermore, Logiflex reserves the right to refuse any upholstery that does not meet Logiflex selection criteria.

COM must be delivered to the Logiflex factory with freight and duties paid. All charges to COM acquisition on the customer's behalf will be passed onto the customer.

Logiflex does not assume responsibility for upholstery availability, quality, performance or appearance, the Logiflex warranty excludes customer's own materials.

#### COM upholstery delivery:

The following information must be included with the COM upholstery delivery and be communicated to the account manager along with the purchase order:

Customer name  
Purchase order number  
Upholstery supplier name  
Pattern name/number  
Color name/number  
Number of yards delivered

#### Shipping address:

Logiflex  
Attn: Receiver  
1235 St-Roch North Road  
Sherbrooke Quebec  
Canada J1N 0H2

Note: A late reception of fabric may cause delivery delays.

# Introduction

## Appendix B: COM Fabric (continued)

### Fabric Quantities

The quantities of fabric yardage to order for each piece of furniture is indicated in the "Manufacturing Standard" section on the product page indicating the amount of yards required.

Where this option is available, you will see the following table in the "Manufacturing Standard" section on the product page indicating the amount of yards required:

Example:

COM Fabric:  
Fabric combination possible. Number of yards required:

Code	Total	Bench	Back	Panel
BDFP	7	2.5	2	2.5
BMFP	7.5	2.5	2.5	2.5
BHFP	8.5	2.5	3.5	2.5

Note: It is recommend that you include a layout with all orders.

### Graded-In List

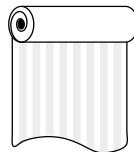
Seat cost depends of selected upholstery. Grade is not established according to upholstery quality or performance, but to its purchase cost. In order to help customers researches, a graded-in list presenting the entire collections od Logiflex's principal suppliers has been prepared. It is possible to consult Logiflex graded-in list by visiting [logiflex.ca](http://logiflex.ca)

Note: The graded-in list is based on information at time of the publication of this document. As upholstery suppliers can discontinue products or increase their prices at their discretion, this list communicated for information purposes only and can not be considered as a sale commitment by Logiflex.

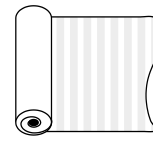
### Application of Upholstery

Application of upholstery will follow the directional orientation of its pattern. Explicit instructions must be given to the customer's account manager if a specific direction is desired. Logiflex will not be responsible of problems related to upholstery direction or positioning unless formal instructions has been given along with the purchase order.

Instruction references:



Up the Roll



Railroaded  
(across the roll)

### Leather

All leathers used are "cowhide".

Please note that the warranty does not apply on leather's natural imperfections, such as: scars, marks, and difference in stain within a leather skin or different skins. This specification also applies for standard leather GR5 and Italian leather GR7 and up.

### Polyurethane foam

The polyurethane foam used in the manufacturing of our armchairs is antibacterial.

Different densities exist and will vary from one armchair model to the other. Medium-density foam is used for back and seating parts, while the firmer-density foam is used for armrest parts.

### Flammability standards

The foam used meets or exceeds the flammability standards of the California Technical Bulletin 117 norms.



## Appendix C: Customized Products

The models presented here are suggestions: they can all be modified according to your needs.

In addition to designing and manufacturing entirely customized furniture, Logiflex offers the option of simply modifying the dimensions of the models presented. A sketch of the desired unit and all pertinent details must be submitted to our quotations department, which will study your request and send you a quotation and a drawing for approval as soon as possible.

### Custom Manufacturing

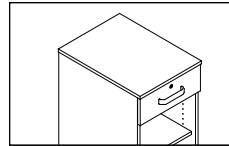
The following custom manufacturing suggestions are available through quotation:

#### High-Pressure Laminate Tops

Unit tops can be finished with high-pressure laminate, a material recognized for its resilient properties. This option must be specified when ordering. The laminate sheet is glued to the surface and then heat-sealed with a 1.5 mm PVC edge.

Unless otherwise specified in the order, the laminate finish will be coordinated to match the unit's thermally fused laminate color.

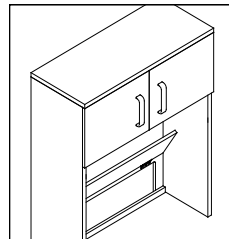
### Locks



Satin nickel locks can be installed on all Logilife units. This option must be specified in the order. They are randomly keyed, and two keys are provided per lock. To specify keyed alike locks, a list of the units that have identical keys must be provided with the order.

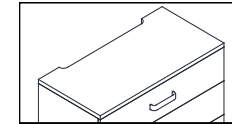
Some lock numbers may be repeated in orders of 50 units or more.

### Hinged Back on Hutches



To provide easy access to wiring, the backs of hutches can be cut out and concealed by a hinged panel. This option must be specified when ordering.

### Cutout Dresser Top



Dressers intended to accommodate televisions can have a cutout top to provide easy access to wiring. This option must be specified when ordering.

### 180° or 270° Hinges

Wardrobe doors can be installed on hinges that open 180° or up to 270°, to be specified when ordering.

### Master Key

A master key can be provided for units that have locks. This option must be specified when ordering.



## Classic Series

Patient Room Furniture

## Manufacturing Standards: Classic Series

### Product Dimensions

For display purposes, the furniture dimensions represented in the price tables on each product page are rounded to the nearest whole number.

### Customized Products

The models presented here are suggestions: they can all be modified according to your needs. In addition to designing and manufacturing entirely customized furniture, Logiflex offers the option of simply modifying the dimensions of the models presented.

Please see page [Appendix B](#) for more information and suggestions about custom manufacturing.

### Construction

Frames are made of 3/4" thermally fused laminate. Non-exposed edges are covered with a 0.5 mm PVC strip, while exposed edges are covered with a 1.5 mm strip. This type of thicker and heat-sealed edge increases the unit's durability while preventing infiltration of bacteria and moisture.

All bedside cabinets, dressers and wardrobe cabinets have air vents to ensure air circulation.

### Tops

Tops of the Classic series are featureless, in 3/4" thermally fused laminate with 1.5 mm heat-sealed PVC edges.

### Drawers and Cabinets

Robust and easy to clean, the drawers are made of black 7/16" particleboard back, bottom and sides. The full extension slides are black and have a capacity of 100lbs.

Drawer and cabinet fronts in the Classic Series are made of 3/4" thermally fused laminate with 1.5 mm heat-sealed PVC edges.

### Base

The sides of furniture items in the Classic Series go right to the ground and are equipped with height adjustable, non-marking glides. The front features a full kick plate in 3/4" thermally fused laminate with 1.5 mm heat-sealed PVC edges.

### Dressers

Unless otherwise specified when ordering, the dresser back is recessed 2 1/4" so that the unit can be placed against a wall with electrical outlets.

### Wardrobes and Cabinets

Adjustable shelves in wardrobes and cabinets are fixed to shelf supports in order to prevent tipping. For greater safety, wardrobes are equipped with a safety garment rail that will support a maximum weight of 75 pounds.

### Handles

The standard handle for the Classic Series is the H161, satin nickel finish. However, any Logilife handle may be chosen instead of this standard; simply specify the choice when placing the order.

Handles have been selected for their ergonomic characteristics.

### Finishes

5 wood grain finishes and 1 solid color are offered in the Classic Series:

- **BC** - Brown Cherry
- **CC** - Classic chocolate
- **DR** - Driftwood
- **EC** - Classic Maple
- **TO** - Tobacco
- **W** - Polar White

Unless otherwise specified when ordering, all finishes are coordinated to ensure matching thermally fused laminates and PVC edges.

Fronts and doors can be of different colors to make it easier for visually impaired individuals to identify the units.

Edges can be of different colors to make it easier for visually impaired individuals to identify the units.

### Wood Grain

Wood grain is always vertical on cabinet doors, and horizontal on drawer fronts and the kick plate.

### Safety

For greater safety, Logiflex recommends using anchoring systems like its anti-tipping kits to prevent units from tipping forward. Wall anchoring is recommended for wardrobes and is required for dressers and hutches.

### Options

**Plastic Drawer Liner:** The white plastic drawer liner is designed specifically for easy cleaning of the top drawer of bedside cabinets: it is removable, stands up to cleaning products, and has rounded corners. Its moulded handle makes it easy to take out and put back into the drawer.

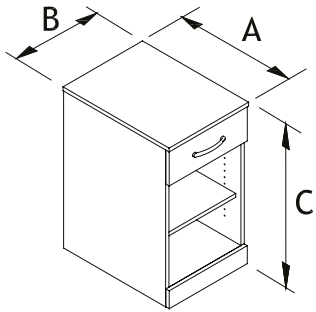
**Anti-Tipping Kit:** The anti-tipping kit, made from steel and galvanized steel cable, prevents units from tipping forward. For increased safety, it is recommended that dressers and wardrobes be anchored to the wall. Two kits are required for hutches.

**Additional Adjustable Shelves:** An additional adjustable shelf, with shelf supports included, may be ordered for hutches and wardrobes.

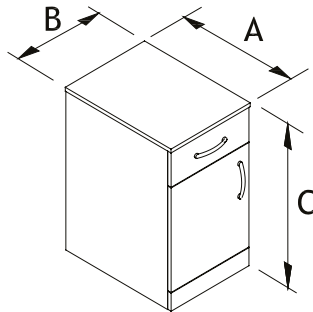
# Classic Series

## Bedside Cabinet

### LFC TC1

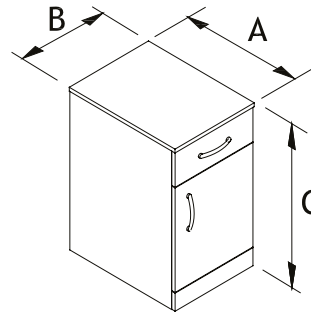


### LFC TC2L



Hinges on left side: **L**

### LFC TC2R



Hinges on right side: **R**

### Manufacturing Standards

#### TC1:

- 1 drawer with H161 handle;
- 1 open section with 1 adjustable shelf;
- 1 air vent.

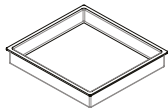
#### TC2:

- 1 drawer with H161 handle;
- 1 door cabinet with H161 handle and 1 adjustable shelf;
- 1 air vent.

**Handles:** For handles other than H161 standard, please choose from the Logilife list at no extra charge.

### Options

#### Plastic Drawer Liner



\$112

### Prices

#### TC1

Dimensions		
A	B	C
201832	680	LFC
241832	704	LFC

#### TC2

Dimensions		
A	B	C
201832	776	LFC
241832	799	LFC

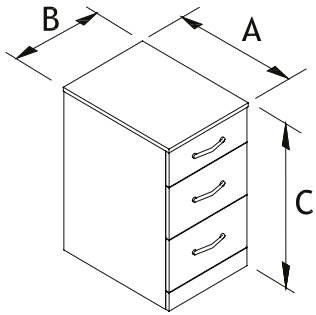
### How to Order

LFC	ABC	TC1 TC2L TC2R	H161 (std)	BP	
series	dimensions	code	handles p. 95	drawer liner	
<b>Example</b>	<b>LFC</b>	<b>201832</b>	<b>TC1</b>	<b>H161</b>	<b>BP</b>

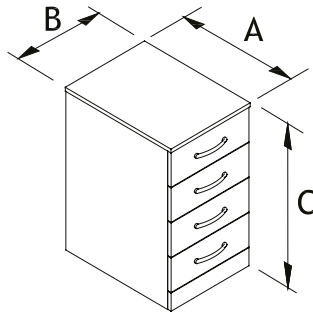
# Classic Series

## Bedside Cabinet

### LFC TC3



### LFC TC4



### Manufacturing Standards

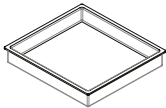
- 3 or 4 drawers with H161 handles;
- 1 air vent.

**Note:** The height of the top drawer on TC3 is different from the bottom drawers.

**Handles:** For handles other than H161 standard, please choose from the Logilife list at no extra charge.

### Options

#### Plastic Drawer Liner



\$112

### Prices

#### TC3

Dimensions	
A B C	LFC
201832	950
241832	977

#### TC4

Dimensions	
A B C	LFC
201832	1189
241832	1221

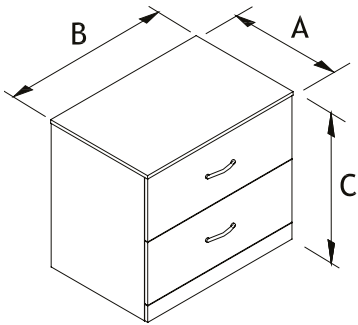
### How to Order

LFC	ABC	TC3 TC4	H161 (std)	BP
series	dimensions	code	handles p. 95	drawer liner
<b>Example</b> LFC	201832	TC3	H161	BP

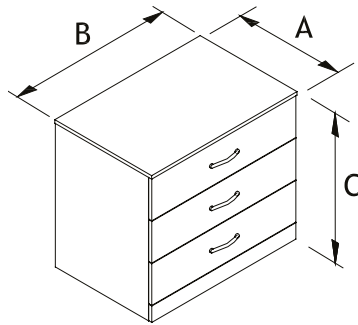
# Classic Series

## Dressers

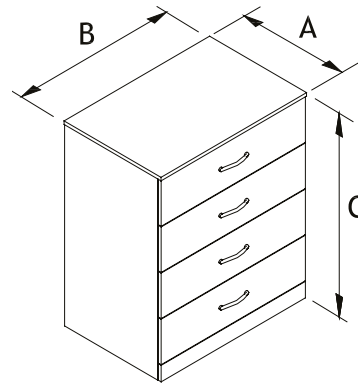
### LFC COM2



### LFC COM3



### LFC COM4



### Manufacturing Standards

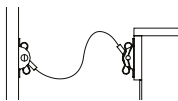
- 2, 3 or 4 drawers with H161 handles;
- 1 air vent;
- 2" recessed back.

**Note:** See p. 12 for series materials, finishes and manufacturing standard.

**Handles:** For handles other than H161 standard, please choose from the Logilife list at no extra charge.

### Options

#### Anti-Tipping Kit



\$59

### Prices

#### COM2 - 2 drawers

Dimensions	
A B C	LFC
203032	965
203632	1007
<hr/>	
243032	994
243632	1038

#### COM3 - 3 drawers

Dimensions	
A B C	LFC
203032	1088
203632	1132
<hr/>	
243032	1126
243632	1174

#### COM4 - 4 drawers

Dimensions	
A B C	LFC
203044	1407
203644	1467
<hr/>	
243044	1455
243644	1520

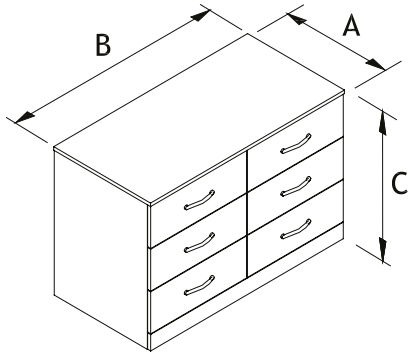
### How to Order

LFC	ABC	COM2 COM3 COM4	H161 (std)	DECR	
series	dimensions	code	<a href="#">handles p. 95</a>	anti-tipping kit	
<b>Example</b>	LFC	203032	COM2	H161	DECR

# Classic Series

## Dressers

### LFC COM6



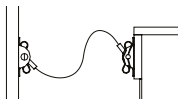
### Manufacturing Standards

- 6 drawers with H161 handles;
- 2 air vents;
- 2-1/4" recessed back.

**Handles:** For handles other than H161 standard, please choose from the Logilife list at no extra charge.

### Options

#### Anti-Tipping Kit



\$59

### Prices

#### COM6 - 6 drawers

Dimensions			LFC
A	B	C	
204832			1975
244832			2032

### How to Order

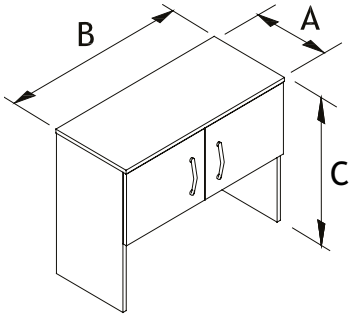
LFC	ABC	COM6	H161 (std)	DECR
series	dimensions	code	handles p. 95	anti-tipping kit
<b>Example</b>	LFC 204832	COM6	H161	DECR



# Classic Series

## Hutches

### LFC HL28



### Manufacturing Standards

- 2 door hutch with H161 handles;
- 1 black flexible grommet at the bottom of the back.

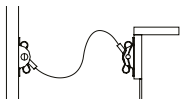
**Cabinet inside space:** 13" H.

**Handles:** For handles other than H161 standard, please choose from the Logilife list at no extra charge.

**Anti-tipping kit:** 2 kits are required for hutches.

### Options

#### Anti-Tipping Kit



\$59

### Prices

Dimensions			
A	B	C	LFC
1630	28	807	
1636	28	836	

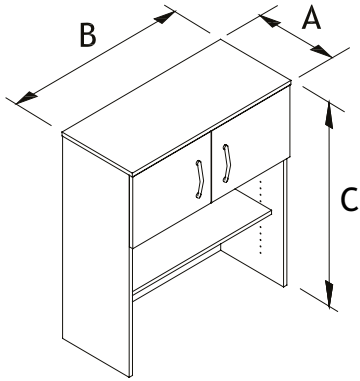
### How to Order

LFC	AB	HL	C	H161 (std)	DECR
series	dimensions	code	height	handles p. 95	anti-tipping kit
<b>Example</b> LFC	1630	HL	28	H161	DECR

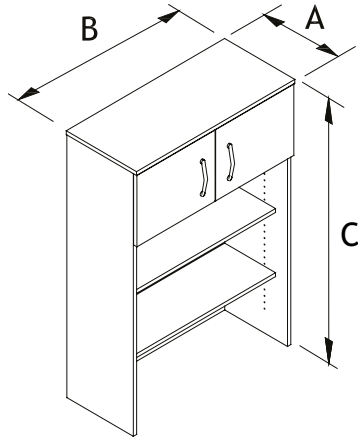
# Classic Series

## Hutches

### LFC HLA40



### LFC HLA52



### Manufacturing Standards

- 2 door hutch with H161 handles;
- 1 or 2 adjustable shelves;
- 1 black flexible grommet at the bottom of the back.

**Cabinet inside space:** 13" H.

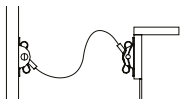
**Handles:** For handles other than H161 standard, please choose from the Logilife list at no extra charge.

**Anti-tipping kit:** 2 kits are required for hutches.

**Adjustable shelves (SH):** 30" L = \$59, 36" L = \$72 per additional shelf, supports included.

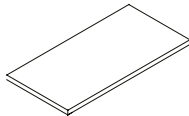
### Options

#### Anti-Tipping Kit



\$59

#### Additional Shelves



SH

### Prices

#### HLA40 - 1 adjustable shelf

Dimensions			
A	B	C	LFC
163040			910
163640			946

#### HLA52 - 2 adjustable shelves

Dimensions			
A	B	C	LFC
163052			1009
163652			1051

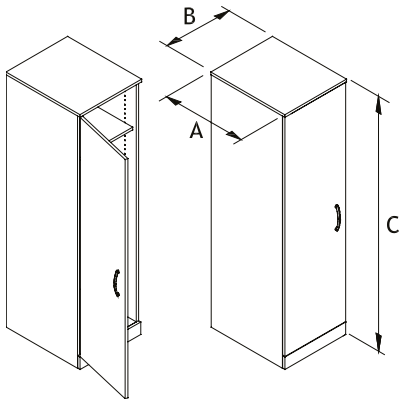
### How to Order

LFC	AB	HLA	C	H161 (std)	DECR	SH
series	dimensions	code	height	handles p. 95	anti-tipping kit	shelves
<b>Example</b> LFC	1630	HLA	40	H161	DECR	

# Classic Series

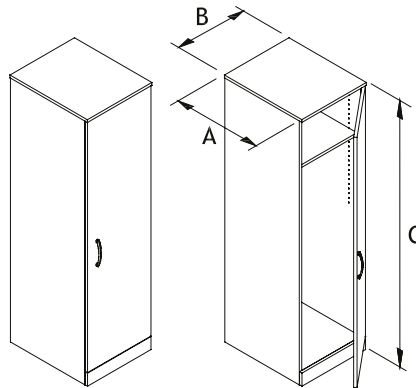
## Wardrobes

### LFC PEN1L



Hinges on left side: **L**

### LFC PEN1R



Hinges on right side: **R**

### Manufacturing Standards

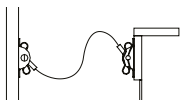
- 1 door wardrobe with H161 handle;
- 1 safety garment rail under adjustable shelf;
- 1 air vent.

**Handles:** For handles other than H161 standard, please choose from the Logilife list at no extra charge.

**Adjustable shelves (SH):** 20" L = \$59 per additional shelf, supports included.

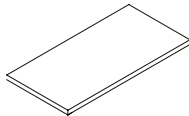
### Options

#### Anti-Tipping Kit



\$59

#### Additional Shelves



SH

### Prices

#### Dimensions

A	B	C	LFC
24	20	72	1261

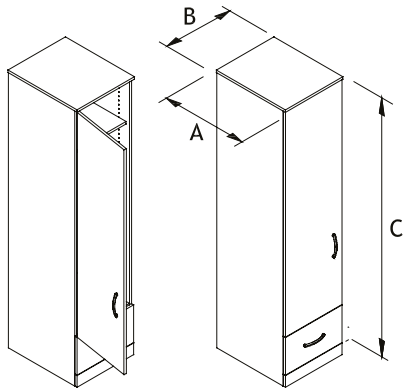
### How to Order

LFC	ABC	PEN1	L R	H161 (std)	DECR	SH
series	dimensions	code	side	<a href="#">handles p. 95</a>	anti-tipping kit	shelves
<b>Example LFC</b>	242072	<b>PEN1</b>	L	H161	DECR	

# Classic Series

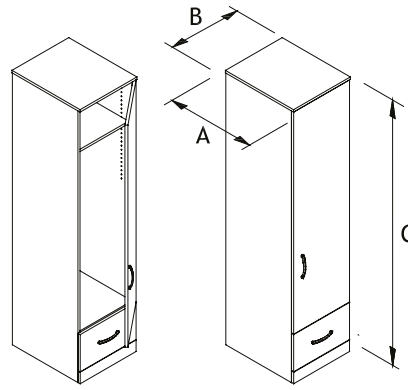
## Wardrobes

### LFC PEN2L



L

### LFC PEN2R



R

### Manufacturing Standards

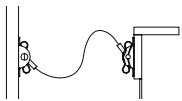
- 1 door wardrobe with H161 handle;
- 1 drawer with H161 handle;
- 1 safety garment rail under adjustable shelf;
- 1 air vent.

**Handles:** For handles other than H161 standard, please choose from the Logilife list at no extra charge.

**Adjustable shelves (SH):** 20" L = \$59 per additional shelf, supports included.

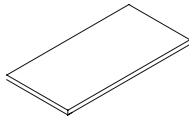
### Options

#### Anti-Tipping Kit



\$59

#### Additional Shelves



SH

### Prices

#### Dimensions

A	B	C	LFC
24	20	84	1616

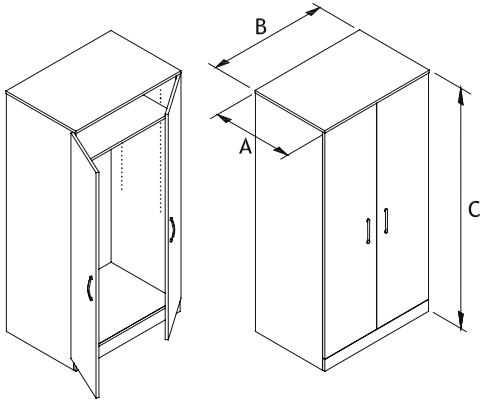
### How to Order

LFC	ABC	PEN2	L R	H161 (std)	DECR	SH
series	dimensions	code	side	<a href="#">handles p. 95</a>	anti-tipping kit	shelves
<b>Example</b>	<b>LFC</b>	<b>242084</b>	<b>PEN2</b>	<b>L</b>	<b>H161</b>	<b>DECR</b>

# Classic Series

## Wardrobes

### LFC PEN3



### Manufacturing Standards

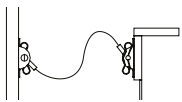
- 2 door wardrobe with H161 handles;
- 1 safety garment rail under adjustable shelf;
- 2 air vents.

**Handles:** For handles other than H161 standard, please choose from the Logilife list at no extra charge.

**Adjustable shelves (SH):** for units of 30" L = \$91, 36" L = \$112 , 42" W = \$132 per additional shelf, supports included.

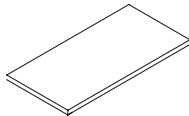
### Options

#### Anti-Tipping Kit



\$59

#### Additional Shelves



SH

### Prices

Dimensions			LFC
A	B	C	
243072			1527
243672			1609

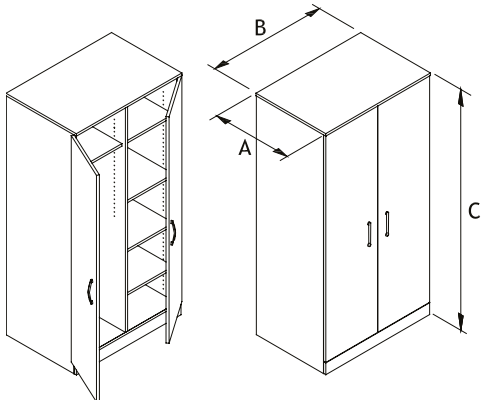
### How to Order

LFC	ABC	PEN3	H161 (std)	DECR	SH
series	dimensions	code	handles p. 95	anti-tipping kit	shelves
<b>Example LFC</b>	243072	<b>PEN3</b>	H161	DECR	

# Classic Series

## Wardrobes

### LFC PEN4



### Manufacturing Standards

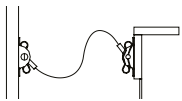
- 2 door wardrobe with H161 handles;
- 1 safety garment rail under adjustable shelf on left;
- 1 central division;
- 4 adjustable shelves on right;
- 2 air vents.

**Handles:** For handles other than H161 standard, please choose from the Logilife list at no extra charge.

**Adjustable shelves (SH):** for units of 30" L = \$33, 36" L = \$43, 42" W = \$50 per additional shelf, supports included.

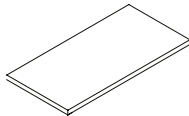
### Options

#### Anti-Tipping Kit



\$59

#### Additional Shelves



SH

### Prices

Dimensions			LFC
A	B	C	
243072			1919
243672			2011

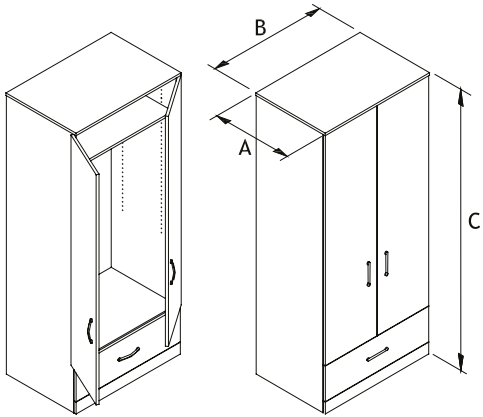
### How to Order

LFC	ABC	PEN4	H161 (std)	DECR	SH
series	dimensions	code	handles p. 95	anti-tipping kit	shelves
<b>Example</b>	LFC 243072	PEN4	H161	DECR	

# Classic Series

## Wardrobes

### LFC PEN5



### Manufacturing Standards

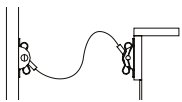
- 2 door wardrobe with H161 handles;
- 1 safety garment rail under adjustable shelf;
- 1 drawer with H161 handle;
- 2 air vents.

**Handles:** For handles other than H161 standard, please choose from the Logilife list at no extra charge.

**Adjustable shelves (SH):** for units of 30" L = \$91, 36" L = \$112, 42" W = \$132 per additional shelf, supports included.

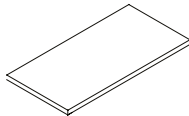
### Options

#### Anti-Tipping Kit



\$59

#### Additional Shelves



SH

### Prices

#### Dimensions

A	B	C	LFC
243084			1979

### How to Order

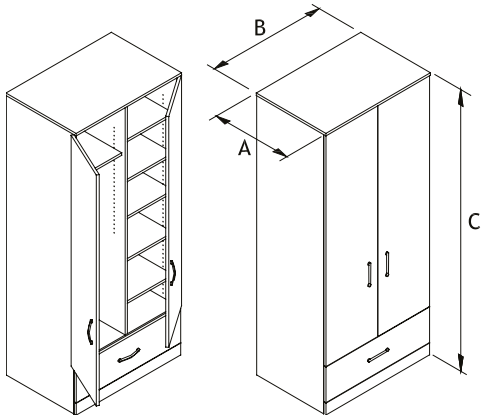
LFC	ABC	PEN5	H161 (std)	DECR	SH
series	dimensions	code	handles p. 95	anti-tipping kit	shelves
<b>Example</b>	<b>LFC</b>	243084	<b>PEN5</b>	H161	DECR



# Classic Series

## Wardrobes

### LFC PEN6



### Manufacturing Standards

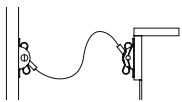
- 2 door wardrobe with H161 handles;
- 1 safety garment rail under adjustable shelf on left;
- 1 drawer with H161 handle;
- 1 central division;
- 5 adjustable shelves on right;
- 2 air vents.

**Handles:** For handles other than H161 standard, please choose from the Logilife list at no extra charge.

**Adjustable shelves (SH):** for units of 30" L = \$33, 36" L = \$43, 42" W = \$50 per additional shelf, supports included.

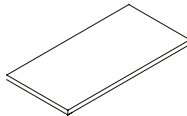
### Options

#### Anti-Tipping Kit



\$59

#### Additional Shelves



SH

### Prices

Dimensions			LFC
A	B	C	
243084			2398

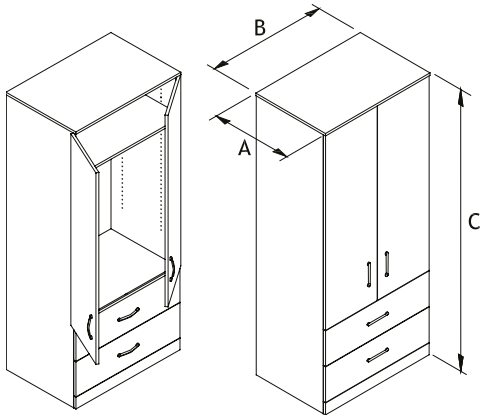
### How to Order

LFC	ABC	PEN6	H161 (std)	DECR	SH
series	dimensions	code	handles p. 95	anti-tipping kit	shelves
<b>Example</b>	LFC 243084	PEN6	H161	DECR	

# Classic Series

## Wardrobes

### LFC PEN7



### Manufacturing Standards

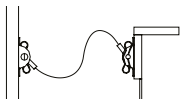
- 2 door wardrobe with H161 handles;
- 2 drawers with H161 handles;
- 1 safety garment rail under adjustable shelf;
- 2 air vents.

**Handles:** For handles other than H161 standard, please choose from the Logilife list at no extra charge.

**Adjustable shelves (SH):** for units of 30" L = \$91, 36" L = \$112, 42" W = \$132 per additional shelf, supports included.

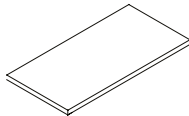
### Options

#### Anti-Tipping Kit



\$59

#### Additional Shelves



SH

### Prices

#### Dimensions

A	B	C	LFC
243084			2185

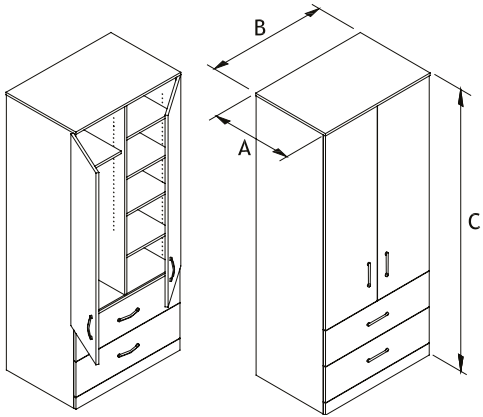
### How to Order

LFC	ABC	PEN7	H161 (std)	DECR	SH
series	dimensions	code	handles p. 95	anti-tipping kit	shelves
<b>Example</b>	<b>LFC</b>	243084	<b>PEN7</b>	H161	DECR

# Classic Series

## Wardrobes

### LFC PEN8



### Manufacturing Standards

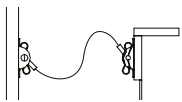
- 2 door wardrobe with H161 handles;
- 1 safety garment rail under adjustable shelf on left;
- 2 drawers with H161 handles;
- 1 central division;
- 4 adjustable shelves on right;
- 2 air vents.

**Handles:** For handles other than H161 standard, please choose from the Logilife list at no extra charge.

**Adjustable shelves (SH):** for units of 30" L = \$33, 36" L = \$43, 42" W = \$50 per additional shelf, supports included.

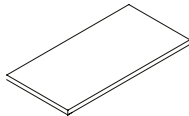
### Options

#### Anti-Tipping Kit



\$59

#### Additional Shelves



SH

### Prices

#### Dimensions

A	B	C	LFC
24	30	84	2543

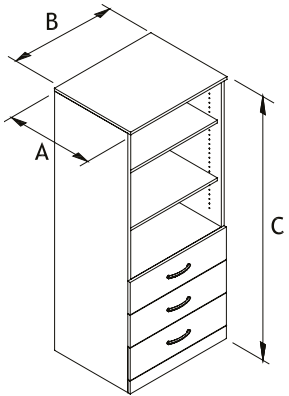
### How to Order

LFC	ABC	PEN8	H161 (std)	DECR	SH
series	dimensions	code	handles p. 95	anti-tipping kit	shelves
<b>Example</b>	LFC 243084	PEN8	H161	DECR	

# Classic Series

## Storage Towers

### LFC RAN1



### Manufacturing Standards

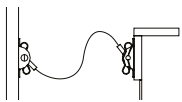
- 1 open space with 2 adjustable shelves;
- 3 drawers with H161 handles.

**Handles:** For handles other than H161 standard, please choose from the Logilife list at no extra charge.

**Adjustable shelves (SH):** for units of 30" L = \$91, 36" L = \$112, 42" W = \$132 per additional shelf, supports included.

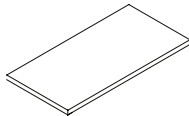
### Options

#### Anti-Tipping Kit



\$59

#### Additional Shelves



SH

### Prices

Dimensions		
A	B	C
243084		LFC
		2107

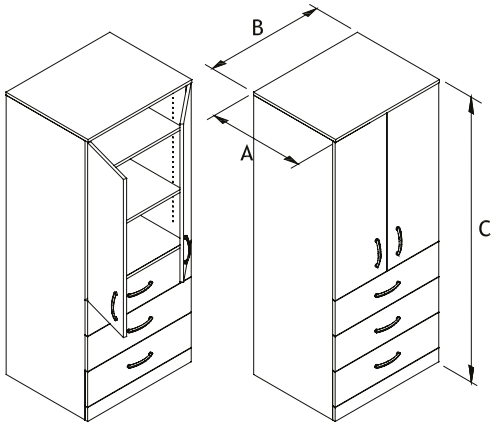
### How to Order

LFC	ABC	RAN1	H161 (std)	DECR	SH
series	dimensions	code	handles p. 95	anti-tipping kit	shelves
<b>Example</b>	<b>LFC</b>	243084	<b>RAN1</b>	H161	DECR

# Classic Series

## Storage Towers

### LFC RAN2



### Manufacturing Standards

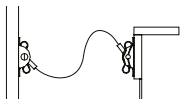
- 2 door cabinet with H161 handles;
- 2 adjustable shelves;
- 3 drawers with H161 handles;
- 1 air vent.

**Handles:** For handles other than H161 standard, please choose from the Logilife list at no extra charge.

**Adjustable shelves (SH):** for units of 30" L = \$91, 36" L = \$112, 42" W = \$132 per additional shelf, supports included.

### Options

#### Anti-Tipping Kit



\$59

### Prices

Dimensions		
A	B	C
243084		2369

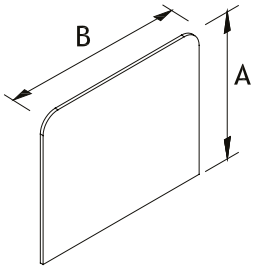
### How to Order

LFC	ABC	RAN2	H161 (std)	DECR
series	dimensions	code	handles p. 95	anti-tipping kit
<b>Example</b>	LFC 243084	RAN2	H161	DECR

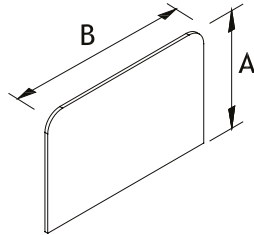
# Classic Series

## Rectangular Headboard and Footboard

### LFC TLRT



### LFC PLRT



### Manufacturing Standards

- 3/4" laminate headboard and footboard.

### Prices

#### TLRT - Rectangular headboard

##### Dimensions

A	B	LFC
3442	215	

#### PLRT - Rectangular footboard

##### Dimensions

A	B	LFC
2742	171	

### How to Order

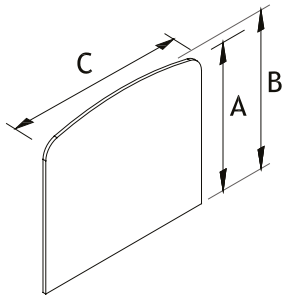
	AB	TLRT PLRT
<b>LFC</b>		
series	dimensions	code

**Example** LFC 3442 TLRT

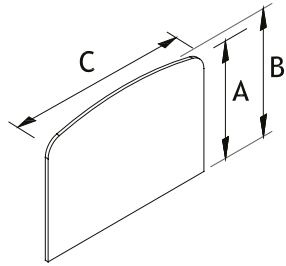
# Classic Series

## Curved Headboard and Footboard

### LFC TLCX



### LFC PLCX



### Manufacturing Standards

- 3/4" laminate headboard and footboard.

### Prices

#### TLCX - Curved headboard

Dimensions	
A B C	LFC
343742	235

#### PLCX - Curved footboard

Dimensions	
A B C	LFC
273042	191

### How to Order

LFC	ABC	TLCX PLCX
series	dimensions	code
Example LFC	343742	TLCX





Modern Series  
Patient Room Furniture

## Manufacturing Standards: Modern Series

### Customized Products

The models presented here are suggestions: they can all be modified according to your needs. In addition to designing and manufacturing entirely customized furniture, Logiflex offers the option of simply modifying the dimensions of the models presented.

Please see page [Appendix B](#) for more information and suggestions about custom manufacturing.

### Construction

Frames are made of 3/4" thermally fused laminate. Non-exposed edges are covered with a 0.5 mm PVC strip, while exposed edges are covered with a 1.5 mm strip. This type of thicker and heat-sealed edge increases the unit's durability while preventing infiltration of bacteria and moisture.

All bedside cabinets, dressers and wardrobe cabinets have air vents to ensure air circulation.

### Tops

Tops of the Modern Series are featureless, in 3/4" thermally fused laminate with 1.5 mm heat-sealed PVC edges.

### Drawers and Cabinets

Robust and easy to clean, the drawers are made of black 7/16" particleboard back, bottom and sides. The full extension slides are black and have a capacity of 100lbs.

Drawer and cabinet fronts in the Classic Series are made of 3/4" thermally fused laminate with 1.5 mm heat-sealed PVC edges.

### Legs

For an easier room maintenance, Modern Series is offered with 6" H tubular metal legs, satin nickel finish, with height adjustable, non-marking glides.

6" H oval metal legs, with satin nickel finish, are available as an option. This must be specified in the order.

### Dressers

Unless otherwise specified when ordering, the dresser back is recessed 2 1/4" so that the unit can be placed against a wall with electrical outlets.

### Wardrobes and Cabinets

Adjustable shelves in wardrobes and cabinets are fixed to shelf supports in order to prevent tipping. For greater safety, wardrobes are equipped with a safety garment rail that will support a maximum weight of 75 pounds.

### Handles

The standard handle for the Modern Series is the H162, satin nickel finish. However, any Logilife handle may be chosen instead of this standard; simply specify the choice when placing the order.

Handles have been selected for their ergonomic characteristics.

### Finishes

5 wood grain finishes and 1 solid color are offered in the Modern Series:

- **BC** - Brown Cherry
- **CC** - Classic Chocolate
- **DR** - Driftwood
- **EC** - Classic Maple
- **TO** - Tobacco
- **W** - Polar White

Unless otherwise specified when ordering, all finishes are coordinated to ensure matching thermally fused laminates and PVC edges.

Fronts and doors can be of different colors to make it easier for visually impaired individuals to identify the units.

Edges can be of different colors to make it easier for visually impaired individuals to identify the units.

### Wood Grain

Wood grain is always vertical on cabinet doors, and horizontal on drawer fronts and the kick plate.

### Safety

For greater safety, Logiflex recommends using anchoring systems like its anti-tipping kits to prevent units from tipping forward. Wall anchoring is recommended for wardrobes and is required for dressers and hutches.

### Options

**Plastic Drawer Liner:** The white plastic drawer liner is designed specifically for easy cleaning of the top drawer of bedside cabinets: it is removable, stands up to cleaning products, and has rounded corners. Its moulded handle makes it easy to take out and put back into the drawer.

**Anti-Tipping Kit:** The anti-tipping kit, made from steel and galvanized steel cable, prevents units from tipping forward. For increased safety, it is recommended that dressers and wardrobes be anchored to the wall. Two kits are required for hutches.

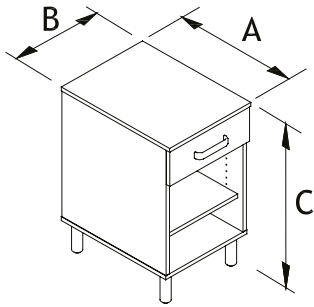
**Additional Adjustable Shelves:** An additional adjustable shelf, with shelf supports included, may be ordered for hutches and wardrobes.

**Locking Casters:** 4 locking, swivel polyurethane casters can be installed on bedside cabinets. Logiflex will then remove the kick plate and adjust the unit to the desired height.

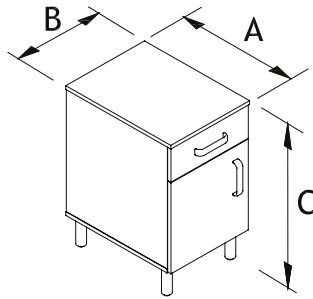
# Modern Series

## Bedside Cabinet

### LFM TC1

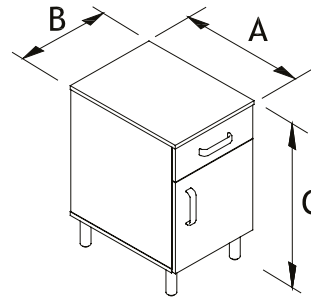


### LFM TC2L



Hinges on left side: **L**

### LFM TC2R



Hinges on right side: **R**

### Manufacturing Standards

The legs are delivered not installed;

#### TC1:

- 1 drawer with H162 handle;
- 1 open section with 1 adjustable shelf;
- 6" tubular metal legs (TU6SN);
- 1 air vent.

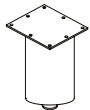
#### TC2:

- 1 drawer with H162 handle;
- 1 door cabinet with H162 handle and 1 adjustable shelf;
- 6" tubular metal legs (TU6SN);
- 1 air vent.

**Handles:** For handles other than H162 standard, please choose from the Logilife list at no extra charge.

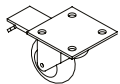
### Options

#### Oval Legs (set of 4)



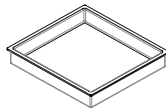
\$0

#### Locking Casters (set of 4)



\$72

#### Plastic Drawer Liner



\$112

### Prices

#### TC1

Dimensions			LFM
A	B	C	
201832			756
241832			778

#### TC2

Dimensions			LFM
A	B	C	
201832			853
241832			876

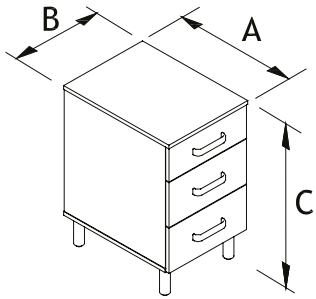
### How to Order

LFM	ABC	TC1 TC2L TC2R	WF OVAM6SN TU6SN (std)	H162 (std)	BP
series	dimensions	code	legs and casters	handles p. 95	drawer liner
<b>Example LFM</b>	201832	TC1	TU6SN	H162	BP

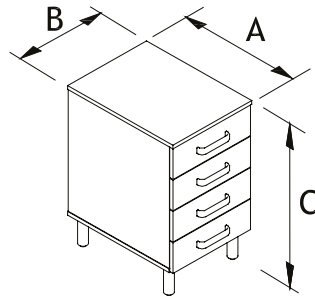
# Modern Series

## Bedside Cabinet

### LFM TC3



### LFM TC4



### Manufacturing Standards

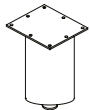
- The legs are delivered not installed;
- 3 or 4 drawers with H162 handles;
- 6" tubular metal legs (TU6SN);
- 1 air vent.

**Note:** The height of the top drawer on TC3 is different from the bottom drawers.

**Handles:** For handles other than H162 standard, please choose from the Logilife list at no extra charge.

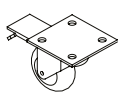
### Options

#### Oval Legs (set of 4)



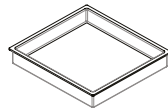
\$0

#### Locking Casters (set of 4)



\$72

#### Plastic Drawer Liner



\$112

### Prices

#### TC3

Dimensions			LFM
A	B	C	
201832			1027
241832			1052

#### TC4

Dimensions			LFM
A	B	C	
201832			1273
241832			1307

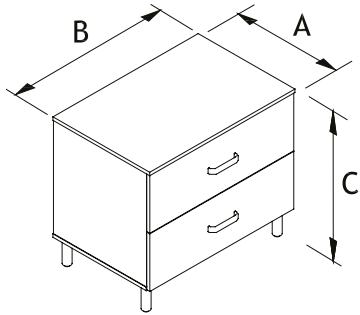
### How to Order

LFM	ABC	TC3 TC4	WF OVAM6SN TU6SN (std)	H162 (std)	BP
series	dimensions	code	legs and casters	handles p. 95	drawer liner
<b>Example LFM</b>	201832	TC3	TU6SN	H162	BP

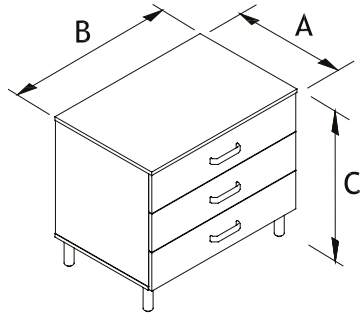
# Modern Series

## Dressers

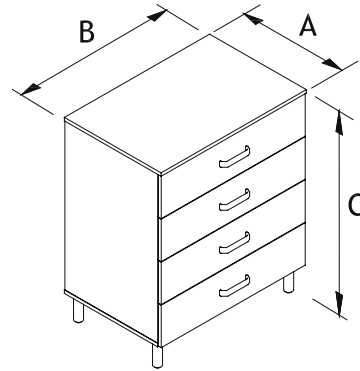
### LFM COM2



### LFM COM3



### LFM COM4



### Manufacturing Standards

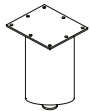
- The legs are delivered not installed;
- 2, 3 or 4 drawers with H162 handles;
- 6" tubular metal legs (TU6SN);
- 1 air vent;
- 2-1/4" recessed back.

**Note:** See p. 12 for series materials, finishes and manufacturing standard.

**Handles:** For handles other than H162 standard, please choose from the Logilife list at no extra charge.

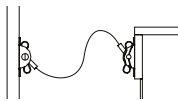
### Options

#### Oval Legs (set of 4)



\$0

#### Anti-Tipping Kit



\$59

### Prices

#### COM2 - 2 drawers

Dimensions			LFM
A	B	C	
203032			1048
203632			1087
243032			1077
243632			1122

#### COM3 - 3 drawers

Dimensions			LFM
A	B	C	
203032			1170
203632			1212
243032			1206
243632			1254

#### COM4 - 4 drawers

Dimensions			LFM
A	B	C	
203044			1493
203644			1552
243044			1541
243644			1605

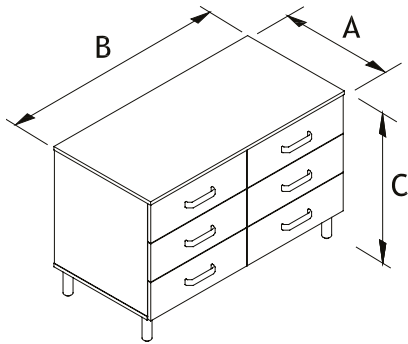
### How to Order

LFM	ABC	COM2 COM3 COM4	OVAM6SN TU6SN (std)	H162 (std)	DECR
series	dimensions	code	legs and casters	handles p. 95	anti-tipping kit
<b>Example LFM</b>	203032	COM2	TU6SN	H162	DECR

# Modern Series

## Dressers

### LFM COM6



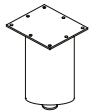
### Manufacturing Standards

- The legs are delivered not installed;
- 6 drawers with H162 handles;
- 6" tubular metal legs (TU6SN);
- 2 air vents;
- 2-1/4" recessed back.

**Handles:** For handles other than H162 standard, please choose from the Logilife list at no extra charge.

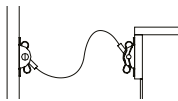
### Options

#### Oval Legs (set of 4)



\$0

#### Anti-Tipping Kit



\$59

### Prices

#### COM6 - 6 drawers

Dimensions			
A	B	C	LFM
204832			2065
244832			2122

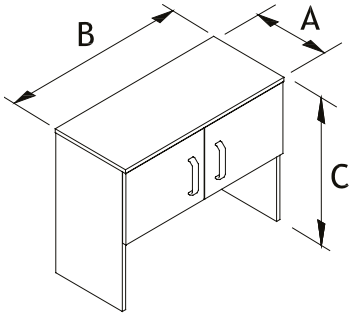
### How to Order

LFM	ABC	COM6	OVAM6SN TU6SN (std)	H162 (std)	DECR
series	dimensions	code	legs and casters	handles p. 95	anti-tipping kit
<b>Example LFM</b>	204832	<b>COM6</b>	TU6SN	H162	DECR

# Modern Series

## Hutches

### LFM HL28



### Manufacturing Standards

- 2 door hutch with H162 handles;
- 1 black flexible grommet at the bottom of the back.

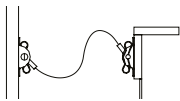
**Cabinet inside space:** 13" H.

**Handles:** For handles other than H162 standard, please choose from the Logilife list at no extra charge.

**Anti-tipping kit:** 2 kits are required for hutches.

### Options

#### Anti-Tipping Kit



\$59

### Prices

Dimensions			
A	B	C	LFM
1630	28	807	
1636	28	836	

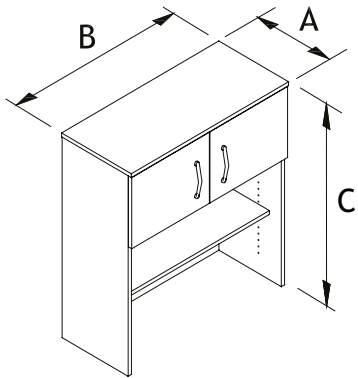
### How to Order

LFM	AB	HL	C	H162 (std)	DECR
series	dimensions	code	height	handles p. 95	anti-tipping kit
<b>Example</b> LFM	1630	HL	28	H162	DECR

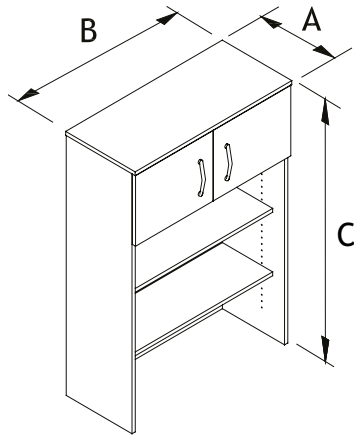
# Modern Series

## Hutches

### LFM HLA40



### LFM HLA52



### Manufacturing Standards

- 2 door hutch with H162 handles;
- 1 or 2 adjustable shelves;
- 1 black flexible grommet at the bottom of the back.

**Cabinet inside space:** 13" H.

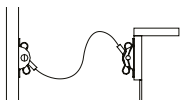
**Handles:** For handles other than H162 standard, please choose from the Logilife list at no extra charge.

**Anti-tipping kit:** 2 kits are required for hutches.

**Adjustable shelves (SH):** 30" L = \$59, 36" L = \$72 per additional shelf, supports included.

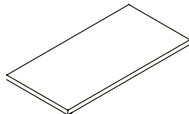
### Options

#### Anti-Tipping Kit



\$59

#### Additional Shelves



SH

### Prices

#### HLA40 - 1 adjustable shelf

Dimensions			LFM
A	B	C	
163040			910
163640			946

#### HLA52 - 2 adjustable shelves

Dimensions			LFM
A	B	C	
163052			1009
163652			1051

### How to Order

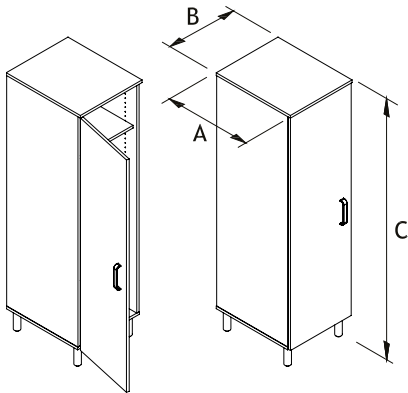
LFM	AB	HLA	C	H162 (std)	DECR	SH
series	dimensions	code	height	handles p. 95	anti-tipping kit	shelves
<b>Example</b> LFM	1630	HLA	40	H162	DECR	



# Modern Series

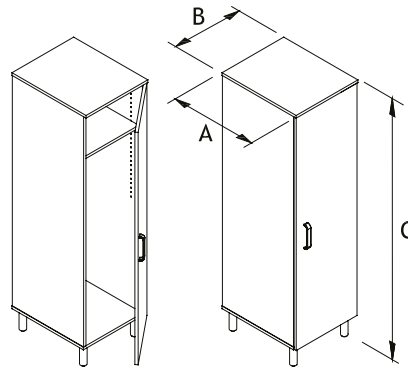
## Wardrobes

### LFM PEN1L



Hinges on left side: **L**

### LFM PEN1R



Hinges on right side: **R**

### Manufacturing Standards

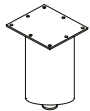
- The legs are delivered not installed;
- 1 door wardrobe with H162 handle;
- 1 safety garment rail under adjustable shelf;
- 6" tubular metal legs (TU6SN);
- 1 air vent.

**Handles:** For handles other than H162 standard, please choose from the Logilife list at no extra charge.

**Adjustable shelves (SH):** 20" L = \$59 per additional shelf, supports included.

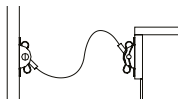
### Options

#### Oval Legs (set of 4)



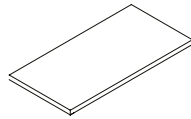
\$0

#### Anti-Tipping Kit



\$59

#### Additional Shelves



SH

### Prices

#### Dimensions

A	B	C	LFM
24	20	72	1366

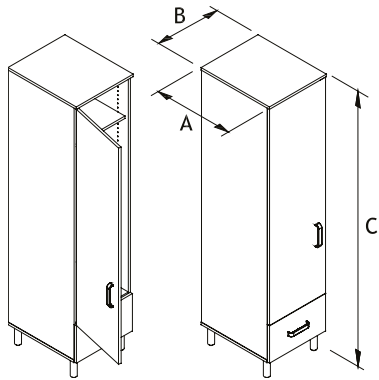
### How to Order

LFM	ABC	PEN1	L R	OVAM6SN TU6SN (std)	H162 (std)	DECR	SH
series	dimensions	code	side	legs and casters	<a href="#">handles p. 95</a>	anti-tipping kit	shelves
<b>Example LFM</b>	242072	<b>PEN1</b>	L	TU6SN	H162	DECR	

# Modern Series

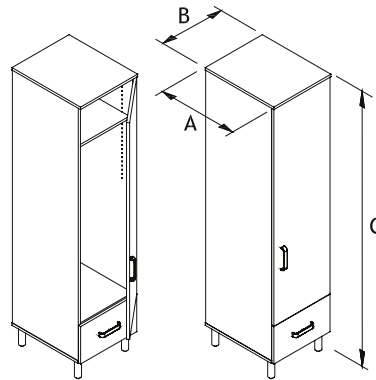
## Wardrobes

### LFM PEN2L



Hinges on left side: **L**

### LFM PEN2R



**R**

### Manufacturing Standards

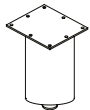
- The legs are delivered not installed;
- 1 door wardrobe with H162 handle;
- 1 drawer with H161 handle;
- 1 safety garment rail under adjustable shelf;
- 6" tubular metal legs (TU6SN);
- 1 air vent.

**Handles:** For handles other than H162 standard, please choose from the Logilife list at no extra charge.

**Adjustable shelves (SH):** 20" L = \$59 per additional shelf, supports included.

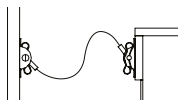
### Options

#### Oval Legs (set of 4)



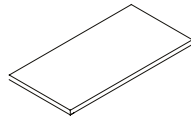
\$0

#### Anti-Tipping Kit



\$59

#### Additional Shelves



SH

### Prices

#### Dimensions

A	B	C	LFM
24	20	84	1719

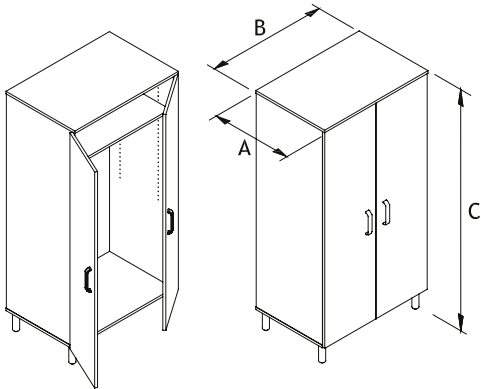
### How to Order

LFM	ABC	PEN2	L R	OVAM6SN TU6SN (std)	H162 (std)	DECR	SH
series	dimensions	code	side	legs and casters	handles p. 95	anti-tipping kit	shelves
<b>Example</b>	<b>LFM</b>	<b>242084</b>	<b>PEN2</b>	<b>L</b>	<b>TU6SN</b>	<b>H162</b>	<b>DECR</b>

# Modern Series

## Wardrobes

### LFM PEN3



### Manufacturing Standards

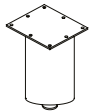
- The legs are delivered not installed;
- 2 door wardrobe with H162 handles;
- 1 safety garment rail under adjustable shelf;
- 6" tubular metal legs (TU6SN);
- 2 air vents.

**Handles:** For handles other than H162 standard, please choose from the Logilife list at no extra charge.

**Adjustable shelves (SH):** for units of 30" L = \$91, 36" L = \$112, 42" W = \$132 per additional shelf, supports included.

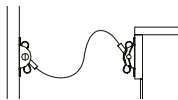
### Options

#### Oval Legs (set of 4)



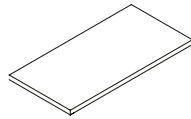
\$0

#### Anti-Tipping Kit



\$59

#### Additional Shelves



SH

### Prices

Dimensions			LFM
A	B	C	
243072			1632
243672			1710

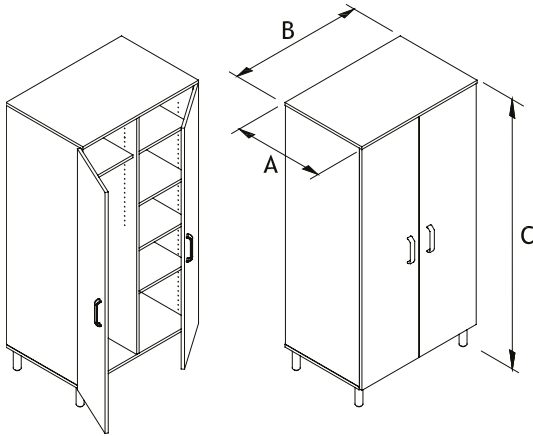
### How to Order

LFM	ABC	PEN3	OVAM6SN TU6SN (std)	H162 (std)	DECR	SH
series	dimensions	code	legs and casters	handles p. 95	anti-tipping kit	shelves
<b>Example</b> LFM	243072	PEN3	TU6SN	H162	DECR	

# Modern Series

## Wardrobes

### LFM PEN4



### Manufacturing Standards

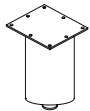
- The legs are delivered not installed;
- 2 door wardrobe with H162 handles;
- 1 safety garment rail under adjustable shelf on left;
- 1 central division;
- 4 adjustable shelves on right;
- 6" tubular metal legs (TU6SN);
- 2 air vents.

**Handles:** For handles other than H162 standard, please choose from the Logilife list at no extra charge.

**Adjustable shelves (SH):** for units of 30" L = \$43, 36" L = \$57, 42" W = \$ 66 per additional shelf, supports included.

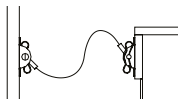
### Options

#### Oval Legs (set of 4)



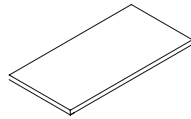
\$0

#### Anti-Tipping Kit



\$59

#### Additional Shelves



SH

### Prices

Dimensions			
A	B	C	LFM
243072			2023
243672			2113

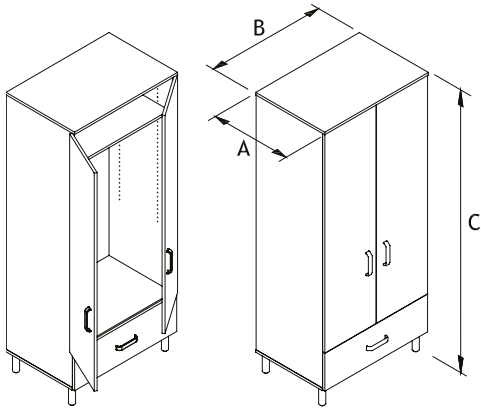
### How to Order

LFM	ABC	PEN4	OVAM6SN TU6SN (std)	H162 (std)	DECR	SH
series	dimensions	code	legs and casters	handles p. 95	anti-tipping kit	shelves
<b>Example LFM</b>	243072	<b>PEN4</b>	TU6SN	H162	DECR	

# Modern Series

## Wardrobes

### LFM PEN5



### Manufacturing Standards

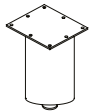
- The legs are delivered not installed;
- 2 door wardrobe with H162 handles;
- 1 safety garment rail under adjustable shelf;
- 1 drawer with H162 handle;
- 6" tubular metal legs (TU6SN);
- 2 air vents.

**Handles:** For handles other than H162 standard, please choose from the Logilife list at no extra charge.

**Adjustable shelves (SH):** for units of 30" L = \$91, 36" L = \$112, 42" W = \$132 per additional shelf, supports included.

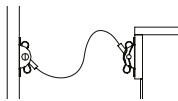
### Options

#### Oval Legs (set of 4)



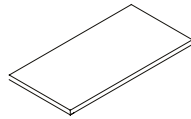
\$0

#### Anti-Tipping Kit



\$59

#### Additional Shelves



SH

### Prices

#### Dimensions

A	B	C	LFM
243	084		2081

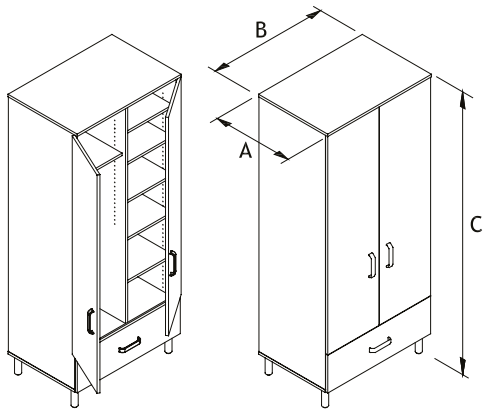
### How to Order

LFM	ABC	PEN5	OVAM6SN TU6SN (std)	H162 (std)	DECR	SH
series	dimensions	code	legs and casters	handles p. 95	anti-tipping kit	shelves
<b>Example LFM</b>	243084	<b>PEN5</b>	TU6SN	H162	DECR	

# Modern Series

## Wardrobes

### LFM PEN6



### Manufacturing Standards

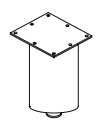
- The legs are delivered not installed;
- 2 door wardrobe with H162 handles;
- 1 safety garment rail under adjustable shelf on left;
- 1 drawer with H162 handle;
- 1 central division;
- 5 adjustable shelves on right;
- 6" tubular metal legs (TU6SN);
- 2 air vents.

**Handles:** For handles other than H162 standard, please choose from the Logilife list at no extra charge.

**Adjustable shelves (SH):** for units of 30" L = \$33, 36" L = \$43, 42" W = \$50 per additional shelf, supports included.

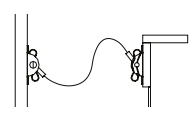
### Options

**Oval Legs**  
(set of 4)



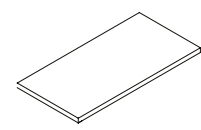
\$0

**Anti-Tipping Kit**



\$59

**Additional Shelves**



SH

### Prices

Dimensions			LFM
A	B	C	
243084			2500

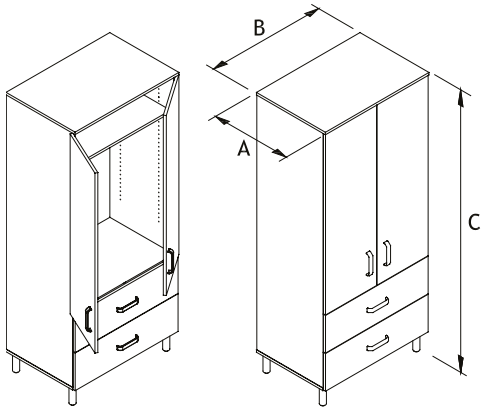
### How to Order

LFM	ABC	PEN6	OVAM6SN TU6SN (std)	H162 (std)	DECR	SH
series	dimensions	code	legs and casters	handles p. 95	anti-tipping kit	shelves
<b>Example</b>	<b>LFM</b>	243084	<b>PEN6</b>	TU6SN	H162	DECR

# Modern Series

## Wardrobes

### LFM PEN7



### Manufacturing Standards

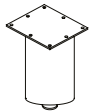
- The legs are delivered not installed;
- 2 door wardrobe with H162 handles;
- 1 safety garment rail under adjustable shelf;
- 2 drawers with H162 handles;
- 6" tubular metal legs (TU6SN);
- 2 air vents.

**Handles:** For handles other than H162 standard, please choose from the Logilife list at no extra charge.

**Adjustable shelves (SH):** for units of 30" L = \$91, 36" L = \$ 112, 42" W = \$132per additional shelf, supports included.

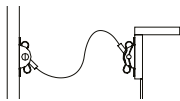
### Options

#### Oval Legs (set of 4)



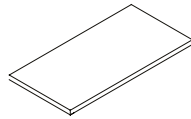
\$0

#### Anti-Tipping Kit



\$59

#### Additional Shelves



SH

### Prices

#### Dimensions

A	B	C	LFM
24	30	84	2290

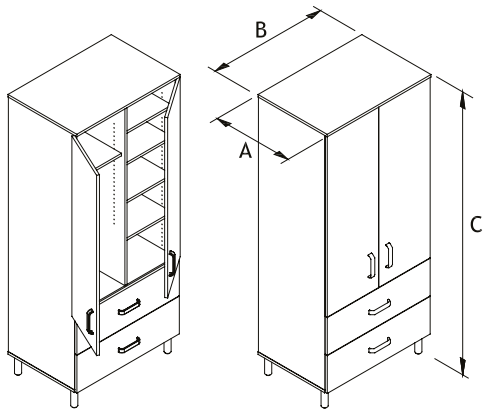
### How to Order

LFM	ABC	PEN7	OVAM6SN TU6SN (std)	H162 (std)	DECR	SH
series	dimensions	code	legs and casters	handles p. 95	anti-tipping kit	shelves
<b>Example</b>	<b>LFM</b>	243084	<b>PEN7</b>	TU6SN	H162	DECR

# Modern Series

## Wardrobes

### LFM PEN8



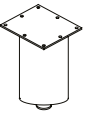
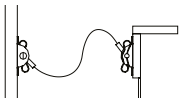
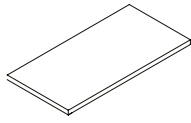
### Manufacturing Standards

- The legs are delivered not installed;
- 2 door wardrobe with H162 handles;
- 1 safety garment rail under adjustable shelf on left;
- 2 drawers with H162 handles;
- 1 central division;
- 4 adjustable shelves on right;
- 6" tubular metal legs (TU6SN);
- 2 air vents.

**Handles:** For handles other than H162 standard, please choose from the Logilife list at no extra charge.

**Adjustable shelves (SH):** for units of 30" L = \$33, 36" L = \$43, 42" W = \$50 per additional shelf, supports included.

### Options

Oval Legs (set of 4)	Anti-Tipping Kit	Additional Shelves
		
\$0	\$59	SH

### Prices

Dimensions			LFM
A	B	C	
243084			2648

### How to Order

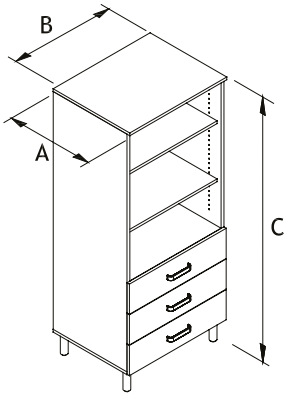
LFM	ABC	PEN8	OVAM6SN TU6SN (std)	H162 (std)	DECR	SH	
series	dimensions	code	legs and casters	handles p. 95	anti-tipping kit	shelves	
<b>Example</b>	LFM	243084	PEN8	TU6SN	H162	DECR	



# Modern Series

## Storage Towers

### LFM RAN1



### Manufacturing Standards

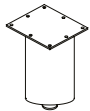
- The legs are delivered not installed;
- 1 open space with 2 adjustable shelves;
- 6" tubular metal legs (TU6SN);
- 3 drawers with H162 handles.

**Handles:** For handles other than H162 standard, please choose from the Logilife list at no extra charge.

**Adjustable shelves (SH):** for units of 30" L = \$ 91 , 36" L = \$112, 42" W = \$132per additional shelf, supports included.

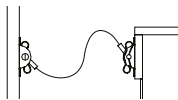
### Options

#### Oval Legs (set of 4)



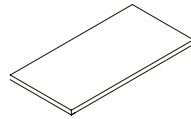
\$0

#### Anti-Tipping Kit



\$59

#### Additional Shelves



SH

### Prices

Dimensions			LFM
A	B	C	
24	30	84	2201

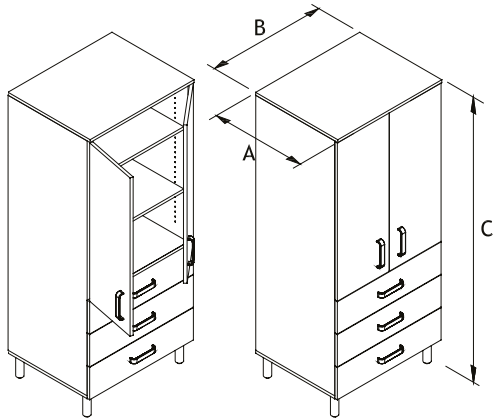
### How to Order

LFM	ABC	RAN1	OVAM6SN TU6SN (std)	H162 (std)	DECR	SH
series	dimensions	code	legs and casters	handles p. 95	anti-tipping kit	shelves
<b>Example LFM</b>	243084	<b>RAN1</b>	TU6SN	H162	DECR	

# Modern Series

## Storage Towers

### LFM RAN2



### Manufacturing Standards

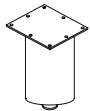
- The legs are delivered not installed;
- 2 door cabinet with H162 handles;
- 2 adjustable shelves;
- 3 drawers with H162 handles;
- 6" tubular metal legs (TU6SN);
- 1 air vent.

**Handles:** For handles other than H162 standard, please choose from the Logilife list at no extra charge.

**Adjustable shelves (SH):** for units of 30" L = \$ 91 , 36" L = \$112, 42" W = \$132per additional shelf, supports included.

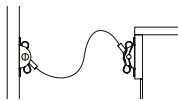
### Options

#### Oval Legs (set of 4)



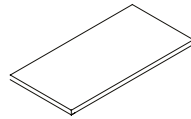
\$0

#### Anti-Tipping Kit



\$59

#### Additional Shelves



SH

### Prices

Dimensions			LFM
A	B	C	
24	30	84	2463

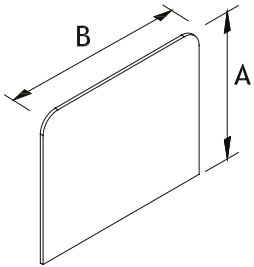
### How to Order

LFM	ABC	RAN2	OVAM6SN TU6SN (std)	H162 (std)	DECR	SH
series	dimensions	code	legs and casters	handles p. 95	anti-tipping kit	shelves
<b>Example</b>	LFM 243084	RAN2	TU6SN	H162	DECR	

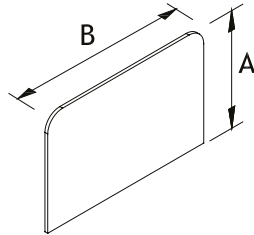
# Modern Series

## Rectangular Headboard and Footboard

### LFM TLRT



### LFM PLRT



### Manufacturing Standards

- 3/4" laminate headboard and footboard.

### Prices

#### TLRT - Rectangular headboard

Dimensions		LFM
A	B	
3442	215	

#### PLRT - Rectangular footboard

Dimensions		LFM
A	B	
2742	171	

### How to Order

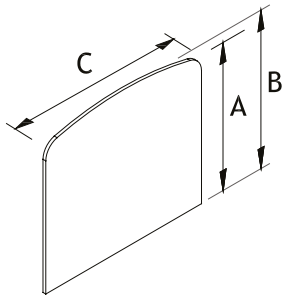
LFM	AB	TLRT PLRT
series	dimensions	code
LFM	3442	TLRT

**Example** LFM 3442 TLRT

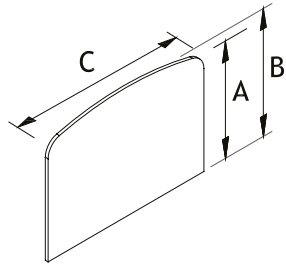
# Modern Series

## Curved Headboard and Footboard

### LFM TLCX



### LFM PLCX



### Manufacturing Standards

- 3/4" laminate headboard and footboard.

### Prices

#### TLCX - Curved headboard

##### Dimensions

A	B	C	LFM
343742			235

#### PLCX - Curved footboard

##### Dimensions

A	B	C	LFM
273042			191

### How to Order

LFM	ABC	TLCX PLCX
series	dimensions	code

**Example** LFM 343742 TLCX

# Tables



## Tables Series

Flex, All-Purpose & Occasional Tables

# Tables

## Manufacturing Standards: Tables Series

### Tops

All Logilife Tables are made of 1" thermally fused laminate or high pressure laminate tops with 2mm heat-sealed PVC edges.

### Flex Tables



Flex tables offer independent height adjustment of each surface. Surfaces are adjustable from 27" to 33". Bases are designed to allow maximum clearance to facilitate medical assistant duties. Tables are equipped with height adjustable glides.

### Tables with Height Adjustable Mechanism

Tables provided with a pneumatic mechanism base can be adjust in height from 28" to 36".

### Limited Lifetime Warranty

All Logilife furniture manufactured after August 1, 2012 is provided with a limited lifetime warranty.

### Finishes

5 wood grain finishes and 1 solid color are offered in the Tables Series:

- **BC** - Brown Cherry
- **CC** - Classic Chocolate
- **DR** - Driftwood
- **EC** - Classic Maple
- **TO** - Tobacco
- **W** - Polar White

### Customized Products

The models presented here are suggestions: they can all be modified according to your needs.

Please see page [Appendix B](#) for more information and suggestions about custom manufacturing.

### Options

#### Flip-top Mechanism | Tables with BPX Bases:



Tables with pneumatic mechanism can be ordered with a flip-top mechanism to reduce the storage footprint.

#### Lazy Susan | Flex Tables:



Flex tables can receive a central swivel circular tray.

#### Curved Fronts | Flex Tables:



Flex table surfaces may have a concave shape for the user comfort.

### Sliding Action | Flex Tables:

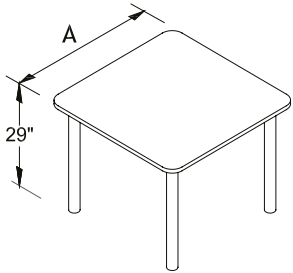


Each top of Flex tables can be provided with independent mechanism for adjustability in depth in order to move tops forward. 1 mechanism per top is needed.

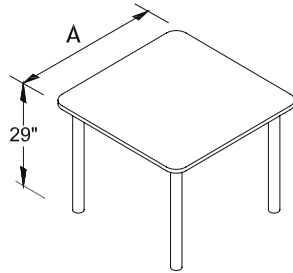
# Tables

## All Purpose Tables

### TCAIFN



### TCAOVA



### Manufacturing Standards

- Delivered disassembled;
- Square surface with rounded corners;
- Metal legs, satin nickel finish.

### Prices

#### TCAIFN - 2-1/2" metal tubular legs

Dimensions	LF	LFL
A	tfl	hpl
36	625	827
42	665	911

#### TCAOVA - Metal oval legs

Dimensions	LF	LFL
A	tfl	hpl
36	924	1174
42	963	1258

### How to Order

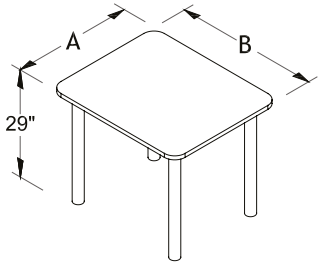
LF	A	IFN	OVA	SN
LFL		TCA		
series	dimensions	top	legs	metal finish
LF	36	TCA	IFN	SN

Example

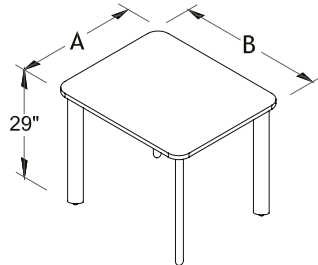
# Tables

## All Purpose Tables

### TAIFN



### TAOVA



### Manufacturing Standards

- Delivered disassembled;
- Rectangular surface with rounded corners;
- Metal legs, satin nickel finish.

### Prices

#### TAIFN - 2-1/2" metal tubular legs

Dimensions A B	LF tfl	LFL hpl
2430	581	767
3036	612	798
3648	665	855
3654	693	884

#### TAOVA - Metal oval legs

Dimensions A B	LF tfl	LFL hpl
2430	895	1094
3036	995	1203
3648	1016	1222
3654	1046	1253

### How to Order

LF LFL	AB	TA IFN	OVA	SN
series	dimensions	top	legs	metal finish

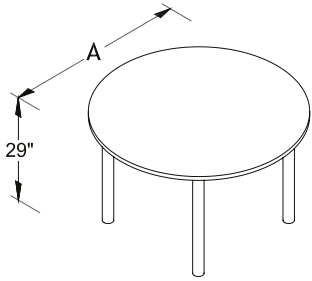
**Example** LF 2430 TA IFN SN



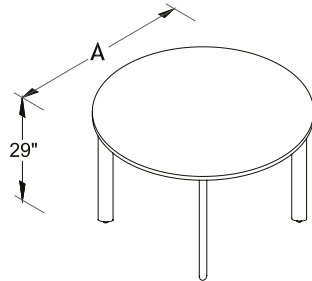
# Tables

## All Purpose Tables

### TRIFN



### TROVA



### Manufacturing Standards

- Delivered disassembled;
- Circular surface;
- Metal legs, satin nickel finish.

### Prices

#### TRIFN - 2-1/2" metal tubular legs

Dimensions	LF	LFL
A	tfl	hpl
36	625	827
42	665	911

#### TROVA - Metal oval legs

Dimensions	LF	LFL
A	tfl	hpl
36	924	1174
42	963	1258

### How to Order

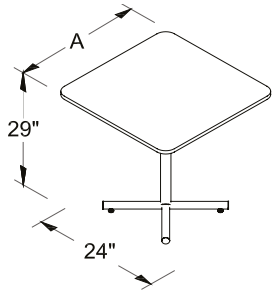
LF LFL	A	TR IFN	OVA	SN
series	dimensions	top	legs	metal finish

**Example** LF 36 TR IFN SN

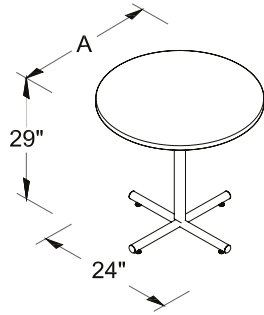
# Tables

## All Purpose Tables

### TCASTA4



### TRSTA4



### Manufacturing Standards

- Delivered disassembled;
- 1-1/2" metal tubular base.

### Prices

#### TCASTA4 - Square surface with rounded corners

Dimensions	LF	LFL
A	tfl	hpl
24	833	960

#### TRSTA4 - Circular surface

Dimensions	LF	LFL
A	tfl	hpl
24	815	941

### How to Order

LF	A	TCA	TR	
LFL				
	24		STA424	SN
series	dimensions	top	legs	metal finish

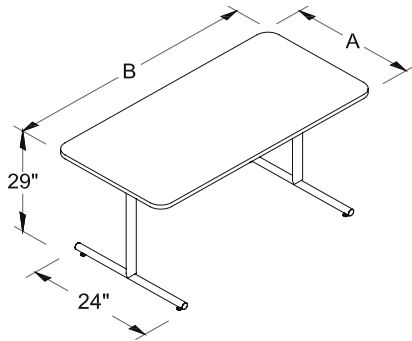
**Example**

LF	24	TCA	STA424	SN
----	----	-----	--------	----

# Tables

## All Purpose Tables

### TASTA2



**Manufacturing Standards**

- Delivered disassembled;
- Rectangular surface with rounded corners;
- 1-1/2" metal tubular legs.

**Prices**

Dimensions A B	LF tfl	LFL hpl
2436	1097	1281
2442	1110	1316
2448	1117	1342
2454	1125	1373
2460	1216	1492

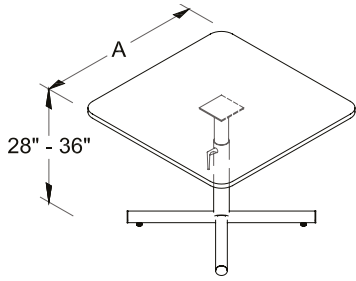
**How to Order**

	LF LFL	AB	TA	STA224	SN
series	dimensions	top	legs	metal finish	
<b>Example</b>	LF	2436	TA	STA224	SN

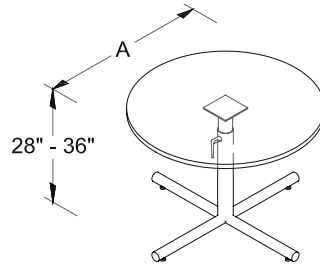
# Tables

## All Purpose Tables

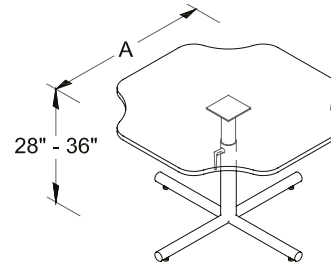
### TCABPX



### TRBPX



### ARCBPX



### Manufacturing Standards

- Delivered disassembled;
- Tubular metal base with pneumatic adjustable height mechanism from 28" to 36"H.

### Options

#### Flip-Top Mechanism



**FT**  
\$133

### Prices

#### TCABPX - Square surface with rounded corners

Dimensions	LF	LFL
A	tfl	hpl
38	1746	1988
42	1789	2075

#### TRBPX - Circular surface

Dimensions	LF	LFL
A	tfl	hpl
38	1751	1996
42	1796	2080

#### ARCBPX - Square surface with concave corners

Dimensions	LF	LFL
A	tfl	hpl
42	1871	2160

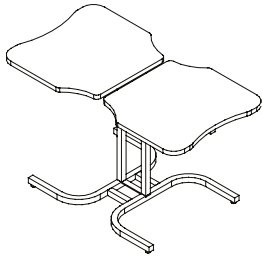
### How to Order

LF	A	TCA	TR	ARC	BPX	SN	FT
LFL							
series	dimensions	top	legs	metal finish	flip-top		
<b>Example</b> LF	42	TCA	<b>BPX</b>	<b>SN</b>			

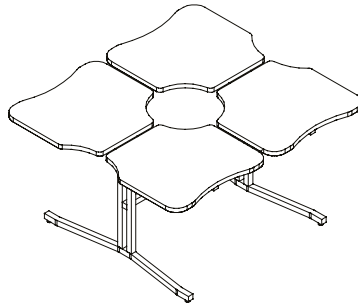
# Tables

## Flex Tables

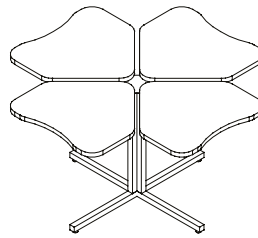
### FLEX2



### FLEX4T



### FLEX4X



### Manufacturing Standards

- 2 or 4 tops with curved tops;
- Independent adjustable height mechanism from 27" to 37"H.

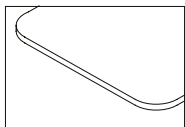
**Note:** Sliding Tray (AP) option adds a 6-1/2" adjustment towards the user.

#### Dimensions:

Code	Total Width	Total Depth	Surface Width	Surface Depth	Lazy Susan
FLEX2	26"	48.75"	26"	24"	12"
FLEX4T	52.75"	48.75"	26"	24"	14"
FLEX4X	49.75"	48.75"	24.5"	24.5"	14"

### Options

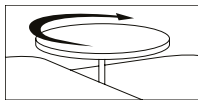
#### Straight Front



ST

\$0

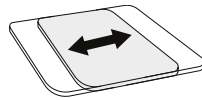
#### Lazy Susan



PC

Price on request

#### Sliding Action



AP

Price on request

### Prices

#### FLEX2 - 2 adjustable tops with rounded corners

Code	LFL	hpl
FLEX2	Price on request	

#### FLEX4T - 4 adjustable tops with rounded corners

Code	LFL	hpl
FLEX4T	Price on request	

#### FLEX4X - 4 adjustable tops with rounded corners

Code	LFL	hpl
FLEX4X	Price on request	

### How to Order

LFL	FLEX2 FLEX4T FLEX4X	BL SN (std)	ST	PC	AP
series	code	metal finish	straight front	lazy susan	sliding action

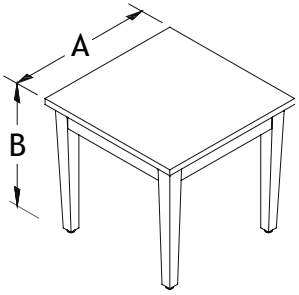
#### Example

LFL	FLEX2	SN			
-----	-------	----	--	--	--

# Tables

## Occasional Tables

### TCWL



### Manufacturing Standards

- Square surface;
- Wooden apron and 2-1/4" x 2-1/4" tapered legs.

**Wood finishes:** Available colors: White Wash **WW**, Golden Wheat **GW**, Sand **SD**, Apricot **AT**, Pecan **PN**, Brandy **BR**, Chestnut **CT**, Coffee **CF**, Espresso **ES**, Bordeaux **BO**, Black Wash **BW** and Bark **BK**.

### Prices

#### TCWL - Side table

Dimensions	LFW	LFWL
A B	tfl	hpl
2022	646	763
2422	667	819

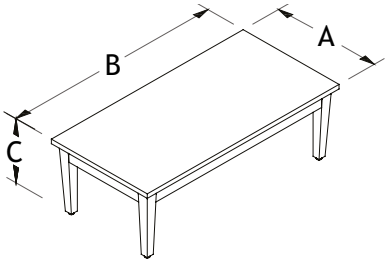
### How to Order

LFW	A	TC	WL	B	Finishes See the Logiflex Color Guide
series	dimensions	top	legs	height	leg color
Example LFW	20	TC	WL	22	BK

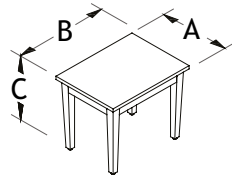
# Tables

## Occasional Tables

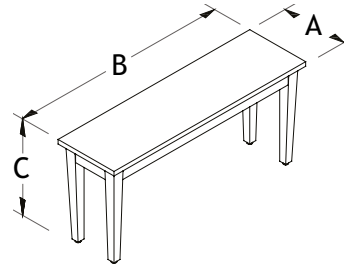
### TWL 16



### TWL 22



### TWL 30



### Manufacturing Standards

- Rectangular surface;
- Wooden apron and 2-1/4" x 2-1/4" tapered legs.

**Wood finishes:** Available colors: White Wash **WW**, Golden Wheat **GW**, Sand **SD**, Apricot **AT**, Pecan **PN**, Brandy **BR**, Chestnut **CT**, Coffee **CF**, Espresso **ES**, Bordeaux **BO**, Black Wash **BW** and Bark **BK**.

### Prices

#### TWL16 - Coffee table

Dimensions	LFW	LFWL
A B C	tfl	hpl
243616	695	906
244816	739	1006

#### TWL22 - Side table

Dimensions	LFW	LFWL
A B C	tfl	hpl
162022	635	728
202422	656	778

#### TWL30 - Sofa table

Dimensions	LFW	LFWL
A B C	tfl	hpl
143630	715	849
144830	754	919
146030	778	978

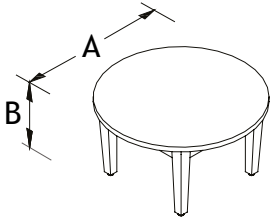
### How to Order

LFW	AB	T	WL	C	Finishes See the Logiflex Color Guide
series	dimensions	top	legs	height	leg color
<b>Example</b> LFW	2436	<b>T</b>	<b>WL</b>	16	BK

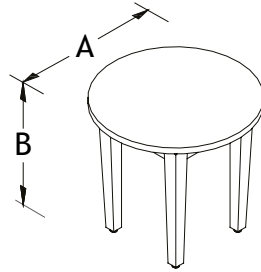
# Tables

## Occasional Tables

### TRWL 16



### TRWL 22



### Manufacturing Standards

- Circular surface;
- Wooden apron and 2-1/4" x 2-1/4" tapered legs.

**Wood finishes:** Available colors: White Wash **WW**, Golden Wheat **GW**, Sand **SD**, Apricot **AT**, Pecan **PN**, Brandy **BR**, Chestnut **CT**, Coffee **CF**, Espresso **ES**, Bordeaux **BO**, Black Wash **BW** and Bark **BK**.

### Prices

#### TRWL16 - Coffee table

Dimensions	LFW	LFWL
A B	tfl	hpl
2416	754	900
3016	810	1017
3616	845	1137

#### TRWL22 - Side table

Dimensions	LFW	LFWL
A B	tfl	hpl
2422	785	935

### How to Order

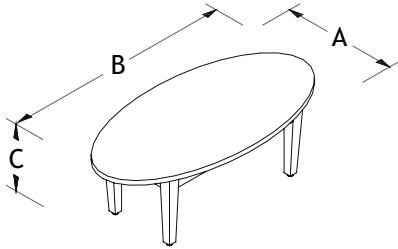
LFW	A	TR	WL	B	Finishes See the Logiflex Color Guide
LFWL					
series	dimensions	top	legs	height	leg color
<b>Example</b> LFW	24	TR	WL	16	BK



# Tables

## Occasional Tables

### ELWL 16



### Manufacturing Standards

- Elliptical surface;
- Wooden apron and 2-1/4" x 2-1/4" tapered legs.

**Wood finishes:** Available colors: White Wash **WW**, Golden Wheat **GW**, Sand **SD**, Apricot **AT**, Pecan **PN**, Brandy **BR**, Chestnut **CT**, Coffee **CF**, Espresso **ES**, Bordeaux **BO**, Black Wash **BW** and Bark **BK**.

### Prices

#### ELWL16 - Coffee table

Dimensions	LFW	LFWL
A B C	tfl	hpl
243616	803	1010
244816	851	1111

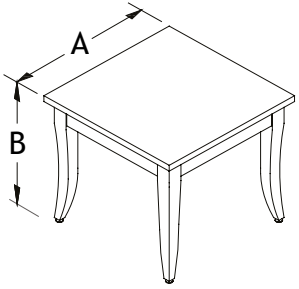
### How to Order

LFW	LFWL	AB	EL	WL	C	Finishes See the Logiflex Color Guide
series	dimensions	top	legs	height	leg color	
<b>Example</b> LFW	2436	EL	WL	16	BK	

# Tables

## Occasional Tables

### TCWLG



### Manufacturing Standards

- Square surface;
- Wooden apron and 2-1/4" x 2-1/4" curved legs.

**Wood finishes:** Available colors: White Wash **WW**, Golden Wheat **GW**, Sand **SD**, Apricot **AT**, Pecan **PN**, Brandy **BR**, Chestnut **CT**, Coffee **CF**, Espresso **ES**, Bordeaux **BO**, Black Wash **BW** and Bark **BK**.

### Prices

#### TCWLG - Side table

Dimensions	LFW	LFWL
A B	tfl	hpl
2022	743	857
2422	763	911

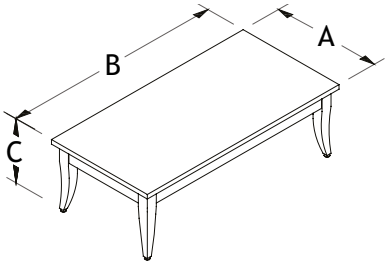
### How to Order

LFW	LFWL	A	TC	WLG	B	Finishes See the Logiflex Color Guide
series	dimensions	top	legs	height	leg color	
<b>Example</b> LFW	20	<b>TC</b>	<b>WLG</b>	22	<b>BK</b>	

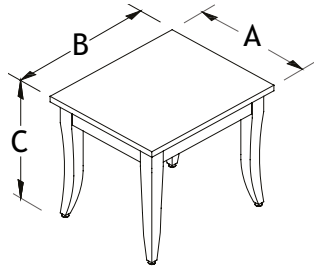
# Tables

## Occasional Tables

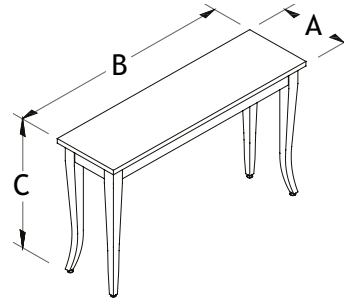
### TWLG 16



### TWLG 22



### TWLG 30



### Manufacturing Standards

- Rectangular surface;
- Wooden apron and 2-1/4" x 2-1/4" curved legs.

**Wood finishes:** Available colors: White Wash **WW**, Golden Wheat **GW**, Sand **SD**, Apricot **AT**, Pecan **PN**, Brandy **BR**, Chestnut **CT**, Coffee **CF**, Espresso **ES**, Bordeaux **BO**, Black Wash **BW** and Bark **BK**.

### Prices

#### TWLG16 - Coffee table

Dimensions	LFW	LFWL
A B C	tfl	hpl
243616	752	953
244816	796	1054

#### TWLG22 - Side table

Dimensions	LFW	LFWL
A B C	tfl	hpl
162022	733	830
202422	754	882

#### TWLG30 - Sofa table

Dimensions	LFW	LFWL
A B C	tfl	hpl
143630	852	990
144830	887	1058
146030	914	1121

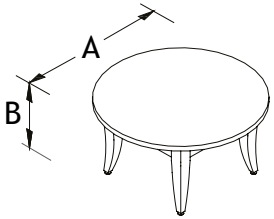
### How to Order

LFW	LFWL	AB	T	WLG	C	Finishes See the Logiflex Color Guide
series	dimensions	top	legs	height	leg color	
<b>Example</b>	LFW	2436	T	WLG	16	BK

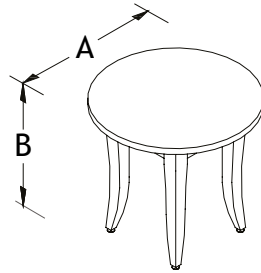
# Tables

## Occasional Tables

### TRWLG 16



### TRWLG 22



### Manufacturing Standards

- Circular surface;
- Wooden apron and 2-1/4" x 2-1/4" curved legs.

**Wood finishes:** Available colors: White Wash **WW**, Golden Wheat **GW**, Sand **SD**, Apricot **AT**, Pecan **PN**, Brandy **BR**, Chestnut **CT**, Coffee **CF**, Espresso **ES**, Bordeaux **BO**, Black Wash **BW** and Bark **BK**.

### Prices

#### TRWLG16 - Coffee table

Dimensions	LFW	LFWL
A B	tfl	hpl
2416	811	958
3016	863	1077
3616	901	1194

#### TRWLG22 - Side table

Dimensions	LFW	LFWL
A B	tfl	hpl
2422	875	1028

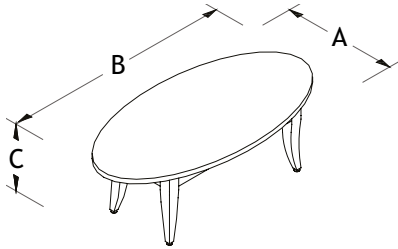
### How to Order

LFW	A	TR	WLG	B	Finishes See the Logiflex Color Guide
series	dimensions	top	legs	height	leg color
<b>Example</b> LFW	24	<b>TR</b>	<b>WLG</b>	16	BK

# Tables

## Occasional Tables

### ELWLG 16



#### Manufacturing Standards

- Elliptical surface;
- Wooden apron and 2-1/4" x 2-1/4" curved legs.

**Wood finishes:** Available colors: White Wash **WW**, Golden Wheat **GW**, Sand **SD**, Apricot **AT**, Pecan **PN**, Brandy **BR**, Chestnut **CT**, Coffee **CF**, Espresso **ES**, Bordeaux **BO**, Black Wash **BW** and Bark **BK**.

#### Prices

##### ELWLG16 - Coffee table

Dimensions	LFW	LFWL
A B C	tfl	hpl
243616	860	1071
244816	906	1170

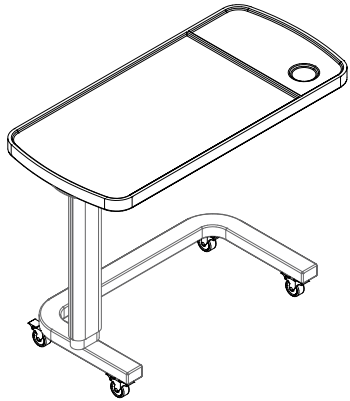
#### How to Order

LFW	LFWL	AB	EL	WLG	C	Finishes See the Logiflex Color Guide
series	dimensions	top	legs	height	leg color	
<b>Example</b> LFW	2436	EL	WLG	16	BK	

# Tables

## Overbed Table

### LF OBT



### Manufacturing Standards

- ABS plastic surface;
- 11" adjustment surface can be positioned from 27-7/8"H to 38-7/8"H;
- White base with robust steel structure;
- C-base with swivel casters, 2 with locking casters;
- 100 lbs weight capacity.
- Top dimensions: 35 1/2" x 17 3/4".

### Prices

Code	
OBT	992

### How to Order

LF	OBT
series	code

Example **LF** **OBT**

## Seating



## Seating



Hosta  
Wooden Seats



## Manufacturing Standards: Hosta Series

### Construction | Armchairs\*



The structural seat frame is made of welded steel for an increased strength and durability. Its assembly allows 3 levels of adjustments in height and 2 in deepness while the metal to metal connections allows individual components to be replaced without having to replace the entire chair.

\*Feature not available for the general purpose chair.

### Easy Cleaning



All Logilife chairs feature a vinyl moisture barrier with aerators that covers the underside of the seat. All models are also designed with a clearance space between the back and the cushion, facilitating maintenance and cleaning.

### Wall Saver



Logilife chairs are specifically designed to prevent premature wear and damages by avoiding contacts between the back, the armrests and the surrounding walls.

### Safe and Easy Ingress and Egress



The wooden frame is assembled with mortise and tenon construction for optimal strength. Logilife chairs are designed with molded backs and spring seat construction for optimal comfort and ergonomic support. Chair backs and seats utilize multi-density foam and legs are equipped with non-marking glides.

### Frame | Armchairs

The wooden frame is assembled with mortise and tenon construction for optimal strength. Logilife chairs are designed with molded backs and spring seat construction for optimal comfort and ergonomic support. Chair backs and seats utilize multi-density foam and legs are equipped with non-marking glides.

### Weight Capacity | Bariatric Armchairs

Bariatric armchairs have a weight capacity of 750lbs.

### California Technical Bulletin 117

The Celcor foam used meets or exceeds the California Technical Bulletin 117 norms.

### Limited Lifetime Warranty

All Logilife furniture manufactured after August 1, 2012 is provided with a limited lifetime warranty.

### Woodgrains

5 wood grain colors are offered in the Logilife Series:

- **BC** - Brown Cherry
- **CC** - Classic Chocolate
- **DR** - Driftwood
- **EC** - Classic Maple
- **TO** - Tobacco
- **W** - Polar White

### Upholstery Specification

Logiflex offers its customers several methods of specifying the fabrics from different suppliers. Terms and conditions for approval and order are listed on [p. 10](#). It is also possible to combine more than one fabric for the same seat, at no additional cost. The price of the seat will be determined according to the highest grade of fabric.

### Customized Products

The models presented here are suggestions: they can all be customized to meet individual requirements. In addition to designing and manufacturing entirely customized furniture, Logiflex offers to simply modifying the dimensions of the models presented or to use non-standard colors.

### Options

#### CAL 133

Logilife seats may receive a non-flammable lining compliant with California Technical Bulletin 133. Please take note the non-flammable lining does not alone ensure the product certification. Consult [p. 10](#) for more information.

### Polyurethane Arm Cap



The optional arm cap increases durability for the armrests. It is replaceable if it becomes damaged.

### Removable Head Cover

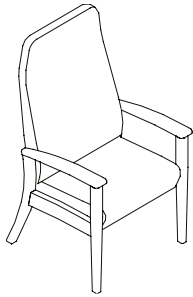


A removable slipcover for head area is available in order to reduce excessive wear of the back and facilitate cleaning.

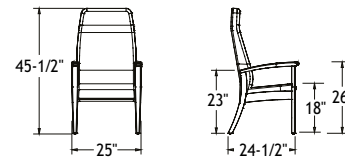
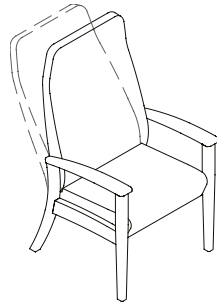
# Seating

## Hosta - Patient Armchairs

### LFH RES

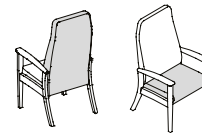


### LFH RESR



Side view

### Combination of Colors



Backrest

### Manufacturing Standards

- **RES:** fixed molded high back;
- **RESR:** reclining molded high back;
- Seat with springs;
- Wooden frame and armrests.

**Wood finishes:** Available colors: White Wash **WW**, Golden Wheat **GW**, Sand **SD**, Apricot **AT**, Pecan **PN**, Brandy **BR**, Chestnut **CT**, Coffee **CF**, Espresso **ES**, Bordeaux **BO**, Black Wash **BW** and Bark **BK**.

**Combination of fabrics:** For two-tone upholstery, please use the higher grade pricing.

### COM Fabric:

Fabric combination possible. Number of yards required:

Code	Total	Backrest	Seat	Head Cover
RES	2.75	1.25	1	0.5
RESR	2.75	1.25	1	0.5

**CAL 133:** Application of a non-flammable lining compliant with California Technical Bulletin 133 | See p. 10. (The non-flammable lining does not alone ensure the product certification).

### Options

#### Polyurethane armrests



**UR**  
\$114

#### Slip-on Head Cover



**HT**

GRA	GR1	GR2	GR3	GR4	GR5	GR6
\$65	\$73	\$84	\$95	\$109	\$123	\$136
GR7	GR8	GR9	GR10	GR11	GR12	Leather
\$150	\$164	\$178	\$191	\$219	\$246	\$223

### Prices

#### RES - Patient armchair fixed high back

Code	GRA	GR1	COM GR2	GR3	GR4	GR5	GR6	GR7	GR8	GR9	GR10	GR11	GR12	Cuir Leather
RES	1294	1339	1400	1460	1536	1611	1687	1763	1838	1914	1989	2141	2292	2166

#### RESR - Patient armchair reclining high back

Code	GRA	GR1	COM GR2	GR3	GR4	GR5	GR6	GR7	GR8	GR9	GR10	GR11	GR12	Cuir Leather
RESR	1488	1533	1594	1654	1730	1805	1881	1957	2032	2108	2183	2335	2486	2360

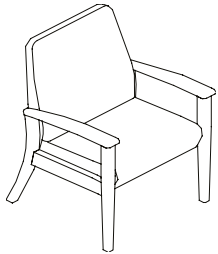
### How to Order

	RES RESR	UR	HT	Finishes See the Logiflex Color Guide	Fabric See the Logiflex Graded-in List				
LFH									
series	code	arm cap	slip cover	leg color	supplier	pattern	color	grade	
<b>Example</b>	LFH	RES	UR	HT	BK	Momentum	Ace	Carbon	GR2

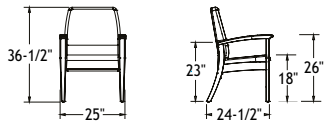
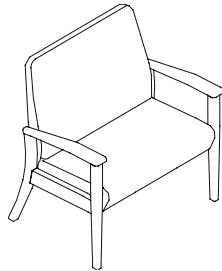
# Seating

## Hosta - Guest and Bariatric Armchairs

### LFH VIS1

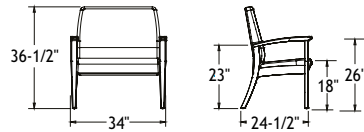


### LFH BAR



Front view

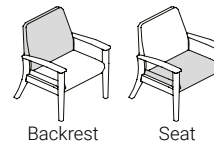
Side view



Front view

Side view

### Combination of Colors



Backrest

Seat

### Manufacturing Standards

- Molded middle back;
- Seat with springs;
- Wooden frame and armrests.

**Weight capacity (BAR):** 750lbs

**Wood finishes:** Available colors: White Wash **WW**, Golden Wheat **GW**, Sand **SD**, Apricot **AT**, Pecan **PN**, Brandy **BR**, Chestnut **CT**, Coffee **CF**, Espresso **ES**, Bordeaux **BO**, Black Wash **BW** and Bark **BK**.

**Combination of fabrics:** For two-tone upholstery, please use the higher grade pricing.

#### COM Fabric:

Fabric combination possible. Number of yards required:

Code	Total	Backrest	Seat
VIS1	2	1	1
BAR	2.75	1.75	1

**CAL 133:** Application of a non-flammable lining compliant with California Technical Bulletin 133 | See p. 10. (The non-flammable lining does not alone ensure the product certification).

### Options

#### Polyurethane armrests



**UR**  
\$114

### Prices

#### VIS1 - Guest armchair

Code	GRA	GR1	COM GR2	GR3	GR4	GR5	GR6	GR7	GR8	GR9	GR10	GR11	GR12	Cuir Leather
VIS1	1230	1263	1307	1351	1406	1461	1516	1571	1626	1681	1736	1846	1956	1864

#### BAR - Bariatric armchair

Code	GRA	GR1	COM GR2	GR3	GR4	GR5	GR6	GR7	GR8	GR9	GR10	GR11	GR12	Cuir Leather
BAR	1440	1485	1546	1606	1682	1757	1833	1909	1984	2060	2135	2287	2438	2312

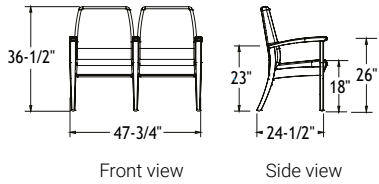
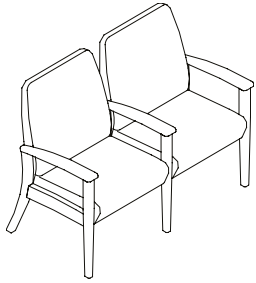
### How to Order

	VIS1 BAR	UR	Finishes See the Logiflex Color Guide	Fabric See the Logiflex Graded-in List				
LFH								
series	code	arm cap	leg color	supplier	pattern	color	grade	
<b>Example</b>	<b>LFH</b>	<b>VIS1</b>	<b>UR</b>	<b>BK</b>	<b>Momentum</b>	<b>Ace</b>	<b>Carbon</b>	<b>GR2</b>

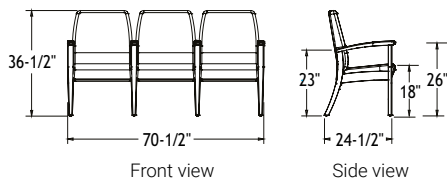
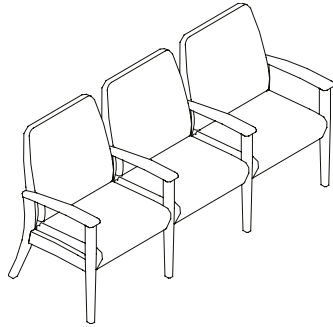
# Seating

## Hosta - Tandem Seating

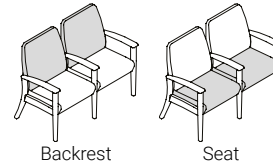
### LFH VIS2A



### LFH VIS3A



### Combination of Colors



### Manufacturing Standards

- Molded middle back;
- Seat with springs;
- Wooden frame and armrests.

**Wood finishes:** Available colors: White Wash **WW**, Golden Wheat **GW**, Sand **SD**, Apricot **AT**, Pecan **PN**, Brandy **BR**, Chestnut **CT**, Coffee **CF**, Espresso **ES**, Bordeaux **BO**, Black Wash **BW** and Bark **BK**.

**Combination of fabrics:** For two-tone upholstery, please use the higher grade pricing.

#### COM Fabric:

Fabric combination possible. Number of yards required:

Code	Total	Backrest	Seat
VIS2A	4	2	2
VIS3A	6	3	3

**CAL 133:** Application of a non-flammable lining compliant with California Technical Bulletin 133 | See p. 10. (The non-flammable lining does not alone ensure the product certification).

### Options

#### Polyurethane armrests



**UR**  
\$114

### Prices

#### VIS2A - 2 seater

Code	GRA	GR1	COM GR2	GR3	GR4	GR5	GR6	GR7	GR8	GR9	GR10	GR11	GR12	Cuir Leather
VIS2A	2228	2294	2382	2470	2580	2690	2800	2910	3020	3130	3240	3460	3680	3497

#### VIS3A - 3 seater

Code	GRA	GR1	COM GR2	GR3	GR4	GR5	GR6	GR7	GR8	GR9	GR10	GR11	GR12	Cuir Leather
VIS3A	3220	3319	3451	3583	3748	3913	4078	4243	4408	4573	4738	5068	5398	5123

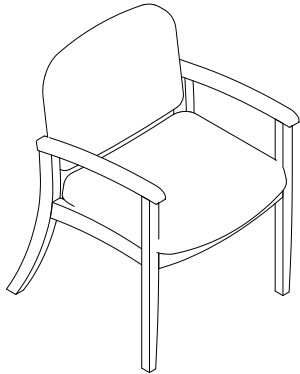
### How to Order

	VIS2A VIS3A	UR	Finishes See the Logiflex Color Guide	Fabric See the Logiflex Graded-in List				
LFH								
series	code	arm cap	leg color	supplier	pattern	color	grade	
<b>Example</b>	<b>LFH</b>	<b>VIS2A</b>	<b>UR</b>	<b>BK</b>	<b>Momentum</b>	<b>Ace</b>	<b>Carbon</b>	<b>GR2</b>

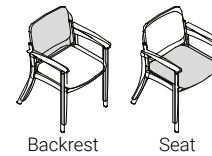
# Seating

## Hosta - General Purpose Chairs

### LFH SAM



#### Combination of Colors



Backrest

Seat

#### Manufacturing Standards

- Low molded backrest;
- Molded seat;
- Wooden frame and armrests.

**Combination of fabrics:** For two-tone upholstery, please use the higher grade pricing.

#### COM Fabric:

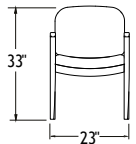
Fabric combination possible. Number of yards required:

Code	Total	Backrest	Seat
SAM	2	1	1

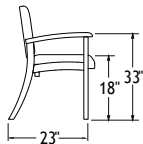
**Wood finishes:** Available colors: White Wash **WW**, Golden Wheat **GW**, Sand **SD**, Apricot **AT**, Pecan **PN**, Brandy **BR**, Chestnut **CT**, Coffee **CF**, Espresso **ES**, Bordeaux **BO**, Black Wash **BW** and Bark **BK**.

#### Prices

Code	GRA	GR1	COM GR2	GR3	GR4	GR5	GR6	GR7	GR8	GR9	GR10	GR11	GR12	Cuir Leather
SAM	908	925	947	969	997	1024	1052	1079	1107	1134	1162	1217	1272	1226



Front view



Side view

#### How to Order

#### Fabric

[See the Logiflex Graded-in List](#)

LFH	SAM	Fabric			
serie	code	supplier	pattern	color	grade

**Example**

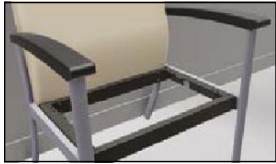
LFH	SAM	ENNIS	LOFT	AQUA	GR1
-----	-----	-------	------	------	-----



Mika  
Metal Armchairs

## Manufacturing Standards: Mika Series

### Construction | Armchairs\*



The structural seat frame is made of welded steel for an increased strength and durability. Its assembly allows 3 levels of adjustments in height and 2 in deepness while the metal to metal connections allows individual components to be replaced without having to replace the entire chair.

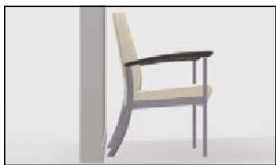
\*Feature not available for the general purpose chair.

### Easy Cleaning



All Logilife chairs feature a vinyl moisture barrier with aerators that covers the underside of the seat. All models are also designed with a clearance space between the back and the cushion, facilitating maintenance and cleaning.

### Wall Saver



Logilife chairs are specifically designed to prevent premature wear and damages by avoiding contacts between the back, the armrests and the surrounding walls.

### Safe and Easy Ingress and Egress



The extended and rounded polyurethane armrests of Mika seats give the user optimal support for safe and easy ingress and egress.

### Frame | Armchairs

The metal frame is in Satin Nickel welded steel. Logilife chairs are designed with molded backs and spring seat construction for optimal comfort and ergonomic support. Chair backs and seats utilize multi-density foam and legs are equipped with non-marking glides.

### Weight Capacity | Bariatric Armchairs

Bariatric armchairs have a weight capacity of 750lbs.

### California Technical Bulletin 117

The Celcor foam used meets or exceeds the California Technical Bulletin 117 norms.

### Limited Lifetime Warranty

All Logilife furniture manufactured after August 1, 2012 is provided with a limited lifetime warranty.

### Metal Finish

Metal finish for all Mika seats is Satin Nickel (SN)

### Upholstery Specification

Please see section A-4 for upholstery specification.

### Upholstery Specification

Logiflex offers its customers several methods of specifying the fabrics from different suppliers. Terms and conditions for approval and order are listed on [p. 10](#). It is also possible to combine more than one fabric for the same seat, at no additional cost. The price of the seat will be determined according to the highest grade of fabric.

### Customized Products

The models presented here are suggestions: they can all be customized to meet individual requirements. In addition to designing and manufacturing entirely customized furniture, Logiflex offers to simply modifying the dimensions of the models presented or to use non-standard colors.

### Options

#### CAL 133

Logilife seats may receive a non-flammable lining compliant with California Technical Bulletin 133. Please take note the non-flammable lining does not alone ensure the product certification. Consult [p. 10](#) for more information.

### Removable Head Cover

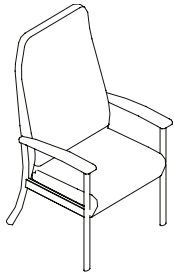


A removable slipcover for head area is available in order to reduce excessive wear of the back and facilitate cleaning.

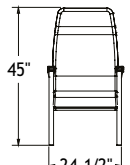
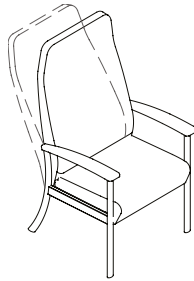
# Seating

## Mika - Patient Armchairs

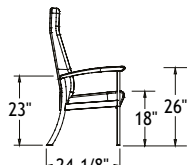
### LFK RES



### LFK RESR

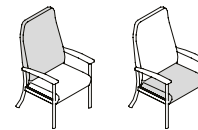


Front view



Side view

### Combination of Colors



Backrest      Seat

### Manufacturing Standards

- **RES:** fixed molded high back;
- **RESR:** reclining molded high back (Angle of incline  $\pm 23^\circ$ );
- Seat with springs;
- Metal frame and polyurethane armrests;
- White nylon levelers on front legs.

**Combination of fabrics:** For two-tone upholstery, please use the higher grade pricing.

#### COM Fabric:

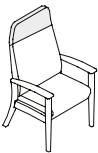
Fabric combination possible. Number of yards required:

Code	Total	Backrest	Seat	Head Cover
RES	2.75	1.25	1	0.5
RESR	2.75	1.25	1	0.5

**CAL 133:** Application of a non-flammable lining compliant with California Technical Bulletin 133 | See p. 10. (The non-flammable lining does not alone ensure the product certification).

### Options

#### Slip-on Head Cover



HT

GRA	GR1	GR2	GR3	GR4	GR5	GR6
\$65	\$73	\$84	\$95	\$109	\$123	\$136
GR7	GR8	GR9	GR10	GR11	GR12	Leather
\$150	\$164	\$178	\$191	\$219	\$246	\$223

### Prices

#### RES

Code	GRA	GR1	COM GR2	GR3	GR4	GR5	GR6	GR7	GR8	GR9	GR10	GR11	GR12	Cuir Leather
RES	1639	1684	1745	1805	1881	1956	2032	2108	2183	2259	2334	2486	2637	2511

#### RESR

Code	GRA	GR1	COM GR2	GR3	GR4	GR5	GR6	GR7	GR8	GR9	GR10	GR11	GR12	Cuir Leather
RESR	1824	1869	1930	1990	2066	2141	2217	2293	2368	2444	2519	2671	2822	2696

### How to Order

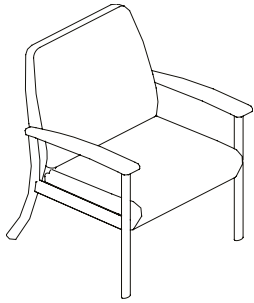
LFK	RES RESR	HT	Fabric <i>See the Logiflex Graded-in List</i>			
series	code	slip cover	supplier	pattern	color	grade
<b>Example</b> LFK	RES	HT	Momentum	Ace	Carbon	GR2



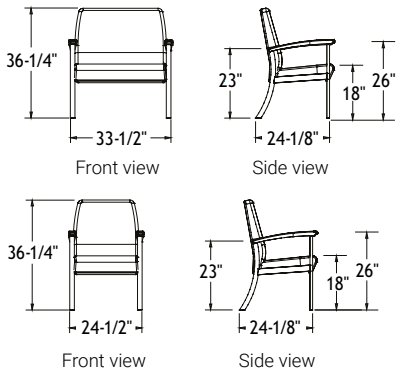
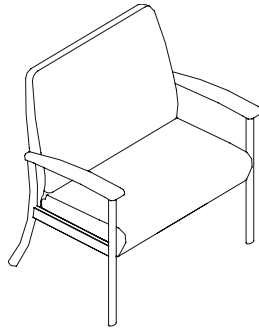
# Seating

## Mika - Guest and Bariatric Armchairs

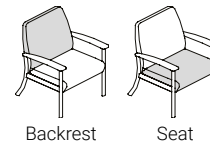
### LFK VIS1



### LFK BAR



### Combination of Colors



### Manufacturing Standards

- Molded middle back;
- Seat with springs;
- Metal frame and polyurethane armrests;
- White nylon levelers on front legs.

**Combination of fabrics:** For two-tone upholstery, please use the higher grade pricing.

#### COM Fabric:

Fabric combination possible. Number of yards required:

Code	Total	Backrest	Seat
VIS1	2	1	1
BAR	2.75	1.75	1

**CAL 133:** Application of a non-flammable lining compliant with California Technical Bulletin 133 | See p. 10. (The non-flammable lining does not alone ensure the product certification).

### Prices

#### VIS1

Code	GRA	GR1	COM GR2	GR3	GR4	GR5	GR6	GR7	GR8	GR9	GR10	GR11	GR12	Cuir Leather
VIS1	1578	1611	1655	1699	1754	1809	1864	1919	1974	2029	2084	2194	2304	2212

#### BAR

Code	GRA	GR1	COM GR2	GR3	GR4	GR5	GR6	GR7	GR8	GR9	GR10	GR11	GR12	Cuir Leather
BAR	1779	1824	1885	1945	2021	2096	2172	2248	2323	2399	2474	2626	2777	2651

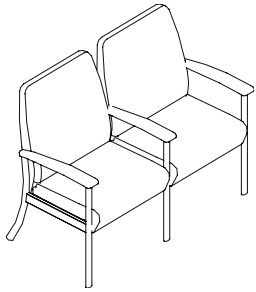
### How to Order

LFK	VIS1 BAR	Fabric <i>See the Logiflex Graded-in List</i>			
series	code	supplier	pattern	color	grade
<b>Example</b> LFK	VIS1	Momentum	Ace	Carbon	GR2

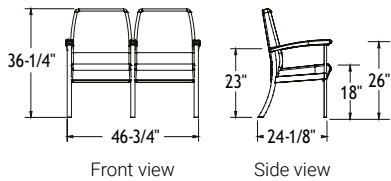
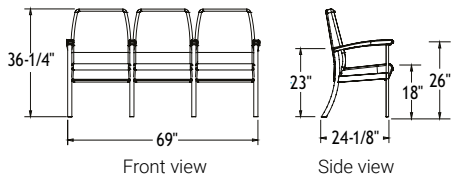
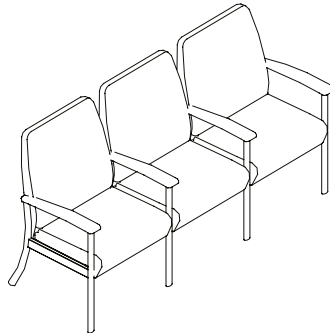
# Seating

## Mika - Tandem Seating

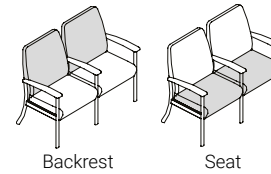
### LFK VIS2A



### LFK VIS3A



### Combination of Colors



### Manufacturing Standards

- Molded middle back;
- Seat with springs;
- Metal frame and polyurethane armrests;
- White nylon levelers on front legs.

**Combination of fabrics:** For two-tone upholstery, please use the higher grade pricing.

#### COM Fabric:

Fabric combination possible. Number of yards required:

Code	Total	Backrest	Seat
VIS2A	4	2	2
VIS3A	6	3	3

**CAL 133:** Application of a non-flammable lining compliant with California Technical Bulletin 133 | See p. 10. (The non-flammable lining does not alone ensure the product certification).

### Prices

#### VIS2A - 2 seater

Code	GRA	GR1	COM GR2	GR3	GR4	GR5	GR6	GR7	GR8	GR9	GR10	GR11	GR12	Cuir Leather
VIS2A	2413	2479	2567	2655	2765	2875	2985	3095	3205	3315	3425	3645	3865	3682

#### VIS3A - 3 seater

Code	GRA	GR1	COM GR2	GR3	GR4	GR5	GR6	GR7	GR8	GR9	GR10	GR11	GR12	Cuir Leather
VIS3A	3383	3482	3614	3746	3911	4076	4241	4406	4571	4736	4901	5231	5561	5286

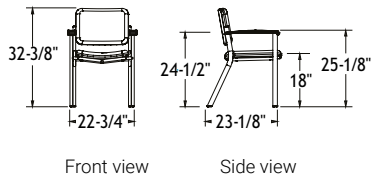
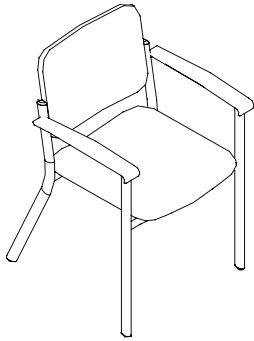
### How to Order

LFK	VIS2A VIS3A	Fabric <i>See the Logiflex Graded-in List</i>			
series	code	supplier	pattern	color	grade
<b>Example</b> LFK	VIS2A	Momentum	Ace	Carbon	GR2

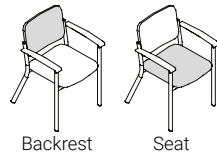
# Seating

## Mika - General Purpose Chairs

### LFK SAM



### Combination of Colors



### Manufacturing Standards

- Molded middle back;
- Seat with springs;
- Metal frame and polyurethane armrests.

**Combination of fabrics:** For two-tone upholstery, please use the higher grade pricing.

#### COM Fabric:

Fabric combination possible. Number of yards required:

Code	Total	Backrest	Seat
SAM	2	1	1

**CAL 133:** Application of a non-flammable lining compliant with California Technical Bulletin 133 | See p. 10. (The non-flammable lining does not alone ensure the product certification).

### Prices

Code	GRA	GR1	COM GR2	GR3	GR4	GR5	GR6	GR7	GR8	GR9	GR10	GR11	GR12	Cuir Leather
SAM	675	692	714	736	764	791	819	846	874	901	929	984	1039	993

### How to Order

**Fabric**  
See the Logiflex Graded-in List

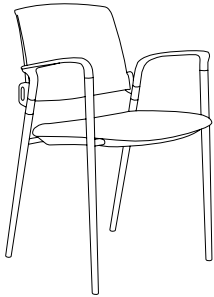
LFK	SAM				
series	code	supplier	pattern	color	grade

**Example** LFK SAM Momentum Ace Carbon GR2

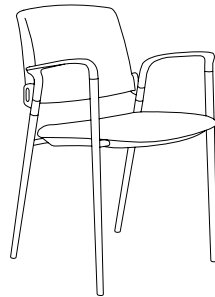
# Seating

## Stack6 - Visitor chair

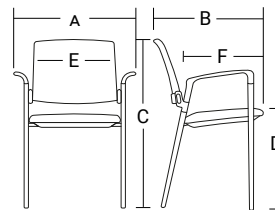
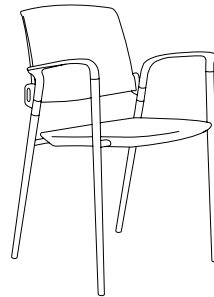
S6 - UP



S6 - UU



S6 - PP



A Chair width	23,5"
B Chair depth	21,5"
C Chair height	31,5"
D Seat height	17,5"
E Backrest width	17"
F Seat depth	17,5"

### Manufacturing Standards

Stack6 chair:

- 3 types of chairs:
  - UP: Plastic backrest, padded seat
  - UU: Backrest and padded seats
  - PP: Backrest and seat in plastic
- Seat with cascading edge;
- Black metal base (BL) with chrome details and black polyurethane armrests;
- Non-marking glides;
- Stackable up to 6;
- Weight and volume (for 3 chairs): 45 lbs / 16 ft³;

Plastic finishes: Black (01) or Charcoal (10)

Fabric finishes: Selection of fabrics or vinyl by the customer from the supplier of their choice.

#### Number of yards for COM fabric:

Code	Total
UP	0,9
UU	0,9

### Prices

#### S6

Code	GRA	GR1	COM GR2	GR3	GR4	GR5	GR6	GR7	GR8	GR9	GR10	GR11	GR12	Cuir Leather
UP	497	513	534	553	580	605	631	657	682	708	734	785	837	773
UU	586	607	635	662	696	732	766	800	834	868	902	971	1040	963

#### S6 - Plastic

Code	
PP	402

### How to Order

#### Combination of Colors

LC	-	S6	-	PP UP UU	-	04	-	FX	-	G	-	N	-	01 10	-			
series		code		structure		base		arms		legs		metal finish		plastic finish		supplier	pattern	color

Fabric  
[See the Logiflex Graded-in List](#)

<b>Example</b>	LC	-	S6	-	UU	-	04	-	FX	-	G	-	N	-	10	-	ENNIS	LOFT	AQUA
----------------	----	---	----	---	----	---	----	---	----	---	---	---	---	---	----	---	-------	------	------



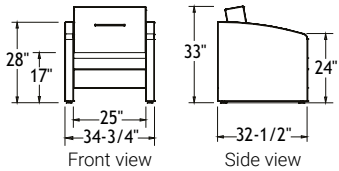
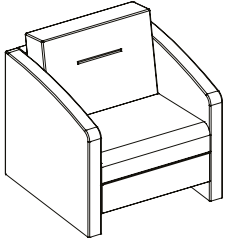
## Lounge Seating

Lodging Furniture

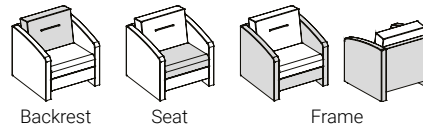
# Seating

## Dean Armchair

DEA1



### Combination of Colors



### Manufacturing Standards

- Springs for the seat and back;
- Single top stitching;
- Medium-density foam;
- Frame made out of recycled and recyclable particles.

**Option:** Set of 4 metal oval legs in satin nickel finish, OVAMSN.

### Number of yards for COM fabric:

Code	Total	Backrest	Seat	Frame	Armrests
DEA1	5,75	1,25	1	2,25	3,75

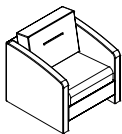
### Options

#### Legs



\$0

#### Cleaning space



\$155

### Prices

Code	GRA	GR1	COM GR2	GR3	GR4	GR5	GR6	GR7	GR8	GR9	GR10	GR11	GR12	Cuir Leather
DEA1	1753	1848	1975	2101	2259	2417	2575	2734	2892	3050	3208	3524	3840	3577

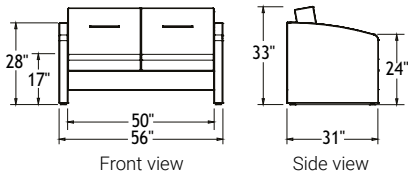
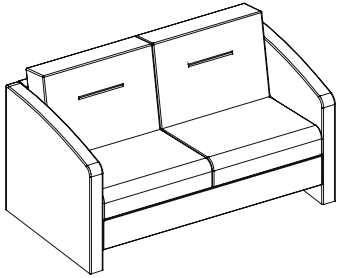
### How to Order

		OVAMSN		Fabric			
		SPEC		See the Logiflex Graded-in List			
SS	DEA1						
serie	code	legs	clearing space	supplier	pattern	color	
<b>Example</b>	<b>SS</b>	<b>DEA1</b>	<b>OVAMSN</b>	<b>SPEC</b>	<b>ENNIS</b>	<b>LOFT</b>	<b>AQUA</b>

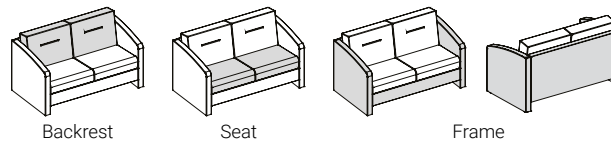
# Seating

## Dean Loveseat

DEA2



### Combination of Colors



### Manufacturing Standards

- Springs for the seat and back;
- Single top stitching;
- Medium-density foam;
- Frame made out of recycled and recyclable particles.

**Option:** Set of 4 metal oval legs in satin nickel finish, OVAMSN.

### Number of yards for COM fabric:

Code	Total	Backrest	Seat	Frame	Armrests
DEA2	7.75	2.5	1.75	4.25	3.75

### Options

#### Legs



\$0

### Prices

Code	GRA	GR1	COM GR2	GR3	GR4	GR5	GR6	GR7	GR8	GR9	GR10	GR11	GR12	Cuir Leather
DEA2	2508	2636	2807	2977	3190	3403	3616	3830	4043	4256	4469	4895	5321	4966

### How to Order



#### Fabric

[See the Logiflex Graded-in List](#)

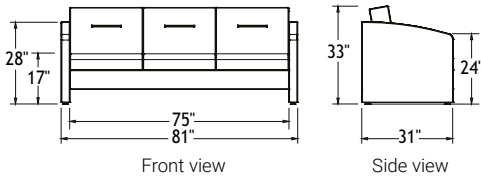
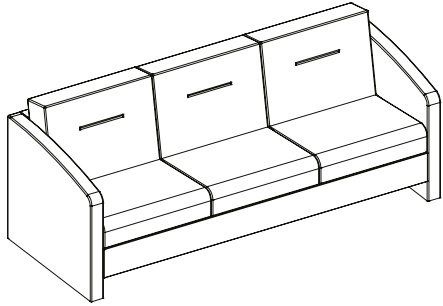
SS	DEA2	OVAMSN			
serie	code	legs	supplier	pattern	color

**Example** SS DEA2 OVAMSN ENNIS LOFT AQUA

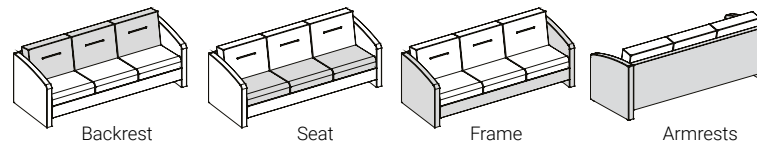
# Seating

## Dean Sofa

DEA3



### Combination of Colors



### Manufacturing Standards

- Springs for the seat and back;
- Single top stitching;
- Medium-density foam;
- Frame made out of recycled and recyclable particles.

**Option:** Set of 4 metal oval legs in satin nickel finish, OVAMSN.

### Number of yards for COM fabric:

Code	Total	Backrest	Seat	Frame	Armrests
DEA3	10,5	3,5	2,75	6,25	4,25

### Options

#### Legs



\$0

### Prices

Code	GRA	GR1	COM GR2	GR3	GR4	GR5	GR6	GR7	GR8	GR9	GR10	GR11	GR12	Cuir Leather
DEA3	3395	3568	3799	4030	4319	4608	4896	5185	5474	5763	6051	6629	7206	6725

### How to Order



OVAMSN

#### Fabric

[See the Logiflex Graded-in List](#)

SS	DEA3	OVAMSN			
serie	code	legs	supplier	pattern	color

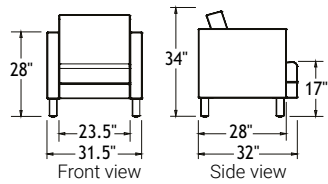
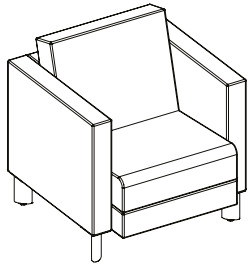
**Example** SS DEA3 OVAMSN ENNIS LOFT AQUA



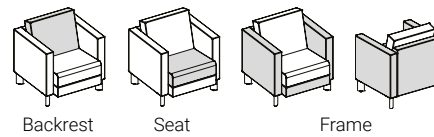
# Seating

## Taylor Armchair

TAY1



### Combination of Colors



### Manufacturing Standards

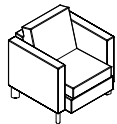
- Elastic straps on seat;
- Medium-density foam;
- Frame made out of recycled and recyclable particles;
- Oval metal legs 6" H, satin nickel finish.

### Number of yards for COM fabric:

Code	Total	Backrest	Seat	Frame	Armrests
TAY1	4	1	1	1,25	2,25

### Options

#### Cleaning space



\$155

### Prices

Code	GRA	GR1	COM GR2	GR3	GR4	GR5	GR6	GR7	GR8	GR9	GR10	GR11	GR12	Cuir Leather
TAY1	1341	1407	1495	1583	1693	1803	1913	2023	2133	2243	2353	2573	2793	2610

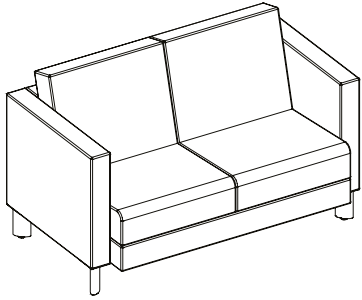
### How to Order

		+		Fabric		
		SPEC		<a href="#">See the Logiflex Graded-in List</a>		
SS	TAY1					
serie	code	cleaning space	supplier	pattern	color	
<b>Example</b>	<b>SS</b>	<b>TAY1</b>	<b>SPEC</b>	<b>ENNIS</b>	<b>LOFT</b>	<b>AQUA</b>

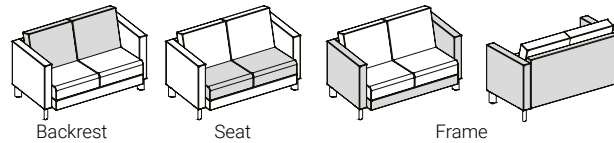
# Seating

## Taylor Loveseat

TAY2



### Combination of Colors

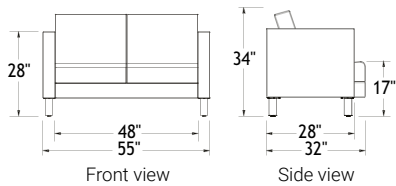


### Manufacturing Standards

- Elastic straps on seat;
- Medium-density foam;
- Frame made out of recycled and recyclable particles;
- Oval metal legs 6" H, satin nickel finish.

### Number of yards for COM fabric:

Code	Total	Backrest	Seat	Frame	Armrests
TAY2	5,5	1,5	1,5	2,75	2,25



### Prices

Code	GRA	GR1	COM GR2	GR3	GR4	GR5	GR6	GR7	GR8	GR9	GR10	GR11	GR12	Cuir Leather
TAY2	1868	1959	2080	2201	2352	2504	2655	2806	2957	3109	3260	3562	3865	3613

### How to Order

#### Fabric

[See the Logiflex Graded-in List](#)

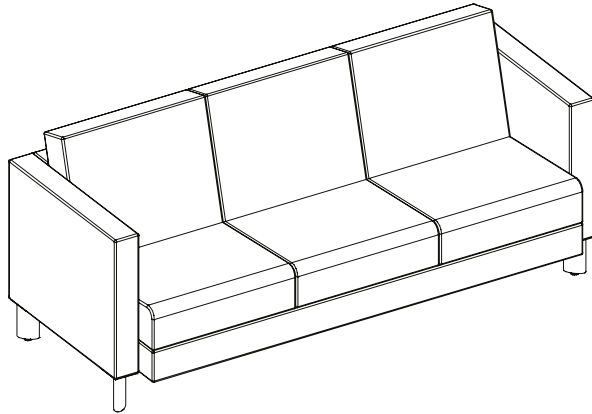
SS	TAY2			
serie	code	supplier	pattern	color

**Example** SS TAY2 ENNIS LOFT AQUA

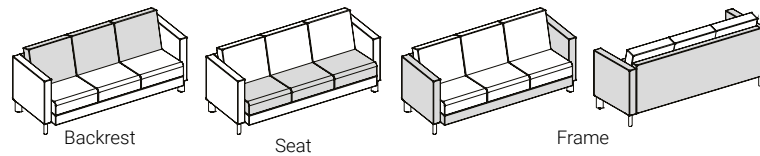
# Seating

## Taylor Sofa

TAY3



### Combination of Colors

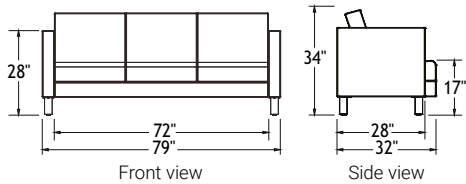


### Manufacturing Standards

- Elastic straps on seat;
- Medium-density foam;
- Frame made out of recycled and recyclable particles;
- Oval metal legs 6" H, satin nickel finish.

### Number of yards for COM fabric:

Code	Total	Backrest	Seat	Frame	Armrests
TAY3	9	2	2,25	5,75	2,25



### Prices

Code	GRA	GR1	COM GR2	GR3	GR4	GR5	GR6	GR7	GR8	GR9	GR10	GR11	GR12	Cuir Leather
TAY3	2457	2606	2804	3002	3250	3497	3745	3992	4240	4487	4735	5230	5725	5312

### How to Order

#### Fabric

[See the Logiflex Graded-in List](#)

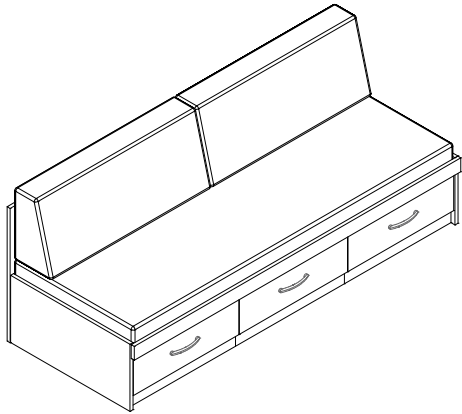
SS	TAY3			
serie	code	supplier	pattern	color

**Example** SS TAY3 ENNIS LOFT AQUA

# Seating

## Day Bed

### LFC SPEC (DBED)



#### Combination of Colors



#### Manufacturing Standards

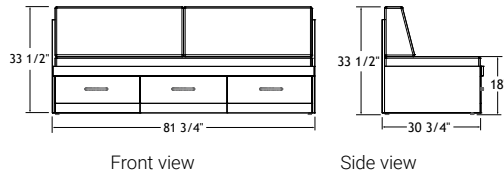
- 3/4" laminate frame;
- Medium density foam;
- White nylon levelers;
- Handles H161.
- Casters have 2 1/4" H

**Combination of fabrics:** For two-tone upholstery, please use the higher grade pricing.

#### COM Fabric:

Fabric combination possible. Number of yards required:

Code	Total	Backrest	Seat
SPEC (DBED)	7,25	2,5	4,75



#### Prices

Code	GRA	GR1	COM GR2	GR3	GR4	GR5	GR6	GR7	GR8	GR9	GR10	GR11	GR12	Cuir Leather
SPEC(DBED)	4031	4151	4311	4470	4669	4869	5068	5268	5467	5666	5866	6264	6663	6331

#### How to Order

**Fabric**  
See the Logiflex Graded-in List

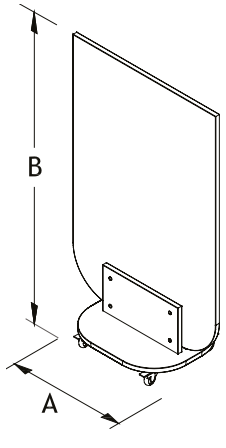
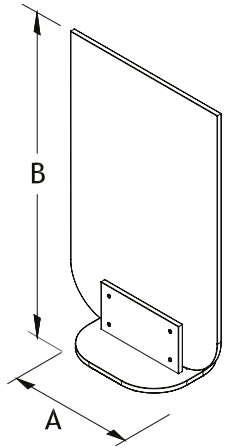
SS	SPEC(DBED)			
series	code	supplier	pattern	color

**Example** SS SPEC(DBED) ENNIS LOFT AQUA

Freestanding Screens

FS - on levelers

FSR - on casters



Manufacturing Standards

- Freestanding screen with:
- 1" melamine screen panel with rounded bottom corners;
- 1" melamine base with exposed mounting hardware;
- 20 "D x 24" W panel base with rounded corners;
- Assembly required.
- 
- **FS:** Base on levelers.
- **FSR:** Base on translucent casters with brakes.

Prices

FS - Base on levelers	
Dimensions	
A	B
36	60
559	

FSR - Base on casters	
Dimensions	
A	B
36	60
614	

How to Order

QSM	36	FS	60
series	width	product	height
QSM	36	FS	60

Example



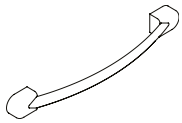
Accessories

# Accessories

## Handles

### H160

Handle

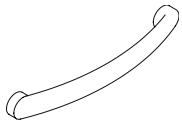


- Finish: Satin nickel;
- Drilling distance between holes: 160 mm c/c

Code	\$	Description
H160	24	

### H161

Handle

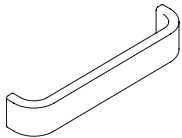


- Finish: Satin nickel;
- Drilling distance between holes: 160 mm c/c

Code	\$	Description
H160	24	

### H162

Handle



- Finish: Satin nickel;
- Drilling distance between holes: 160 mm c/c

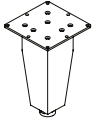
Code	\$	Description
H162	24	

# Accessories

## Legs

### WL2

Legs

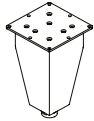


- 6" H wooden leg for bedside cabinets with height adjustable, non-marking glides;
- Wood finishes: select a color from the Logilife laminate finishes.

Code	\$
WL2	Price on request

### WL3

Legs

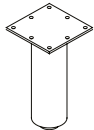


- 6" H wooden leg for dressers and wardrobes with height adjustable, non-marking glides;
- Wood finishes: select a color from the Logilife laminate finishes.

Code	\$
WL3	Price on request

### TU6SN

Legs



- 6" H tubular metal leg 1 3/4" diameter, satin nickel finish, with height adjustable, non-marking glides.

Code	\$
TU6SN	Price on request

### OVAM6SN

Legs

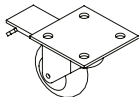


- 6" H metal oval leg, satin nickel finish, with height adjustable, non-marking glides.

Code	\$
OVAM6SN	Price on request

### WF

Locking Casters



- Locking, swivel polyurethane casters (SX 64mm).

Code	\$
WF	72 Set of 4

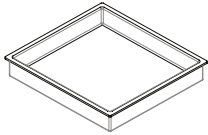


# Accessories

## Miscellaneous Accessories

### BP

Drawer Liner

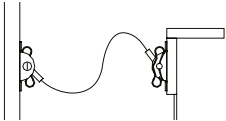


- White plastic drawer liner / For top drawer only.

Code	\$	Description
BP		112

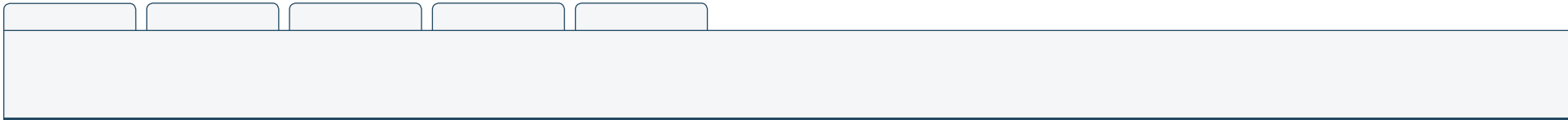
### DECR

Anti-Tipping Kit



- Anti-tipping kit made from steel and galvanized steel cable.

Code	\$	Description
DECR	59	



As our product line is constantly evolving and expanding, we recommend that you visit [logiflex.ca](http://logiflex.ca) for updates.

logiflex

1235 St-Roch N., Sherbrooke QC J1N 0H2 Canada  
T : 1.877.864.9323 | F : 1.800.474.7830 | [logiflex.ca](http://logiflex.ca)

July 24, 2023 | USA

LOGILIFE | HEALTH CARE FURNITURE

