

LOGILIFE

Price List
CANADA 2023



logiflex

Table of Contents

Introduction	3	Flex Tables	61	Taylor	89
Update Summary	4	Occasional Tables	62	Taylor Armchair	89
Our social responsibility	7	Overbed Table	70	Taylor Loveseat	90
Conditions of Sale	7	Seating	71	Taylor Sofa	91
How to Use the Price List	8	Hosta	72	Classic - Day Bed	92
Appendix A: Colors and Finishes	9	Manufacturing Standards	73	Day Bed	92
Appendix B: COM Fabric	10	Hosta - Patient Armchairs	74	Freestanding Screens	93
Appendix C: Customized Products	12	Hosta - Guest and Bariatric Armchairs	75	Freestanding Screens	93
Classic Series	13	Hosta - Tandem Seating	76	Accessories	94
Manufacturing Standards	14	Hosta - General Purpose Chairs	77	Handles	95
Bedside Cabinet	15	Mika	78	Legs	96
Dressers	17	Manufacturing Standards	79	Miscellaneous Accessories	97
Hutches	19	Mika - Patient Armchairs	80		
Wardrobes	21	Mika - Guest and Bariatric Armchairs	81		
Storage Towers	29	Mika - Tandem Seating	82		
Rectangular Headboard and Footboard	31	Mika - General Purpose Chairs	83		
Modern Series	33	Stackable Chair	84		
Manufacturing Standards	34	Stack6 - Visitor chair	84		
Bedside Cabinet	35	Lounge Seating	85		
Dressers	37	Dean	86		
Hutches	39	Dean Armchair	86		
Wardrobes	41	Dean Loveseat	87		
Storage Towers	49	Dean Sofa	88		
Rectangular Headboard and Footboard	51				
Tables Series	53				
Manufacturing Standards	54				
All Purpose Tables	55				



Introduction

Update Summary

The Logilife price list presents these principal modifications:

DATE	SECTION	MODIFICATIONS
July 24, 2023	All the pricelist	<ul style="list-style-type: none">• Removal of series with thermoplastic Tradition, Shaker and Artisan.• Removal of some oversize wardrobes.

Previous date:

DATE	SECTION	MODIFICATIONS
February 1, 2023	All the Price List	<ul style="list-style-type: none">• All prices have been increased by approximately 5%.• Transition from 6 to 14 grades of fabric.• New certification Indoor Advantage Gold (replace Greenguard).• Removal of the coaster option for LFT, LFC & LFS.
August 9, 2022	All the Price List	<ul style="list-style-type: none">• Modification of the drawer manufacturing standard for the Classic, Modern, Tradition, Shaker and Artisan series.
February 1, 2022	All the Price List	<ul style="list-style-type: none">• All prices have been increased by approximately 6%.
	Conditions of Sales	<ul style="list-style-type: none">• The order modification / cancellation deadline is changed to 48 hours.

Introduction

Product Map

LFC - Classic Series

Bedside Cabinets p. 15



Dressers p. 17



Hutches p. 19



Wardrobes p. 21



Storage Towers p. 29



Headboards and Footboards p. 31



Freestanding Screens p. 93



LFM - Modern Series

Bedside Cabinets p. 35



Dressers p. 37



Hutches p. 39



Wardrobes p. 41



Storage Towers p. 49



Headboards and Footboards p. 51



Introduction

Product Map

Tables

All-Purpose Tables

p. 55

Flex Tables

p. 61

Occasional Tables

p. 62



Overbed Table

p. 70

Seating

LFH - Hosta

p. 72



LFK - Mika

p. 78

Visitor Chair

p. 84

Dean

p. 86

Taylor

p. 89

Day Bed

p. 92



Our social responsibility

At Logiflex, we have chosen to be a responsible North American manufacturer by implementing initiatives for sustainable development. As much as possible, we source local materials and partner with suppliers who prioritize clean manufacturing processes. We also consolidate goods during transport to reduce our fuel consumption and we continually make changes that help reduce our waste production.

The company is ISO 9001 certified.

You can consult our eco-responsible approach as well as all our certifications in the Certifications section of our website. Find out how our products can help you obtain LEED credits and the Logiflex products that are Indoor Advantage Gold certified.

Conditions of Sale

Prices

The amounts listed in this document are suggested retail prices and may be changed without notice. Applicable taxes are not included. If you have an open and active account with Logiflex, merchandise will be invoiced at the prices prevailing at the time of shipment. A deposit may be requested if the opening of your account has not been completed or if your account has become inactive.

Terms of Payment

Net 30 days F.O.B. Sherbrooke, Quebec. The invoice will be assigned the shipping date and is payable 30 days from that date. Logiflex remains the owner of the merchandise until the invoice is paid in full.

Customized Products (Special Items)

Price requests for customized products or special items can be submitted via the "Private Space" section of our website, at www.logiflex.ca. Our quotations department will study your request and send you a quotation and a technical drawing for approval as soon as possible. Modifications to quotations or technical drawings can be requested the same way. The approved quotation(s) and technical drawing(s) can then be attached to your purchase order.

Orders

An official purchase order must be issued for all purchases. Your purchase order must contain the following information:

- Your company letterhead
- Your reference number
- The delivery address (with contact name, email and phone number)
- The complete product codes
- Furniture colour(s)
- Quantities
- Descriptions
- Retail prices and net prices
- Project registration number (if applicable), and your approved quotation and technical drawing (for special items).

Please note that a quotation cannot serve as a purchase order.

Returns

All returns must first be approved by Logiflex. If the return is accepted, a Logiflex customer service representative will send you an official return authorization form in order to facilitate procedures between you, the carrier, and the Logiflex merchandise reception clerk. Additional costs for shipping or other expenses may be applied following any merchandise return.

Modifications and/or Cancellations

You have 48 hours from the time we acknowledge receipt of your order to make any requests for corrections or modifications. You may cancel your order during this same 48-hour period. If you would like to modify or cancel your order after this 48-hour verification period, please check with a Logiflex customer service representative. Orders cannot be changed or cancelled if production has already begun or if Logiflex has already received the raw materials.

Liability

Logiflex's liability ends once the carrier has delivered all items in good condition. A delivery receipt signed by the customer acknowledges that the shipment is complete and has been received in good condition.

Claims

Logiflex recommends inspecting the shipment before signing the carrier's delivery receipt. You must notify Logiflex of any incomplete shipments or damaged furniture within 30 days after delivery. Requests to replace damaged products can be made via the "Private Space" section of our website, at www.logiflex.ca. Our after-sales service department will examine your request and help you correct the situation.

Changes

Logiflex reserves the right to make changes to the materials, accessories, components, specifications and designs, and to discontinue collections and/or models, at any time and without prior notice.

Storage and/or Shipping Fees

According to the terms Logiflex set forth in the transport policy. The transport policy can be consulted online in the Private Space.

Items Delivered Disassembled

Some items are delivered disassembled, such as empty desks, empty returns, bridges, arched tables, D, P or Q tables, lateral tables, end tables, hook tables, corner tables and extended-corner tables.

Warranty

Logiflex guarantees to the original purchaser that Logiflex products are free from defects in design, materials and workmanship for the product's lifetime, with certain exceptions.

You may consult the full warranty on the website: [Logiflex Warranty](#)

Introduction

How to Use the Price List

Interactive Menu → Classic | Modern | Tables | Seating | Accessoires

Product group → Classic Series

Product name → Bedside Cabinet

Product code → LFC TC1

Product image → [Isometric drawings of LFC TC1, LFC TC2L, and LFC TC2R with dimensions A, B, and C]

Manufacturing Standards

TC1:

- 1 drawer with H161 handle;
- 1 open section with 1 adjustable shelf;
- 1 air vent.

TC2:

- 1 drawer with H161 handle;
- 1 door cabinet with H161 handle and 1 adjustable shelf;
- 1 air vent.

Handles: For handles other than H161 standard, please choose from the Loglife list at no extra charge.

Options

- Locking Casters (set of 4) [WF] \$S
- Plastic Drawer Liner [BP] \$S

Prices

TC1

Dimensions	A	B	C	LFC
201832	***	***	***	
241832	***	***	***	

TC2

Dimensions	A	B	C	LFC
201832	***	***	***	
241832	***	***	***	

How to Order

LFC	ABC	TC1 TC2L TC2R	WF	H161 (std)	BP	
series	dimensions	code	casters	handles (p. 15)	drawer liner	
Example	LFC	201832	TC1	WF	H161	BP

Standard Product Code
Details as per the price listed

Options, if desired (\$)
Always after the product code

Navigation buttons: Previous View, Previous Page, Next Page, Product Map, Table of Contents

Product-specific manufacturing standards

Additional Product Information and Notes

Dimensions

Prices

Blue text hyperlink

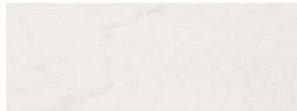
Introduction

Appendix A: Colors and Finishes

12 Wood Stains

Logiflex offers varnish and stain selection among the following 12 colors on all wood applications.

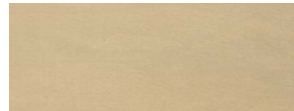
Knots and color variation can occur between different wood components of the same piece of furniture, or between different pieces of furniture. This variation is due to the natural characteristics of the wood, and is more contrasting for pale wood colors like Golden Wheat.



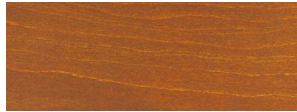
WW White Wash



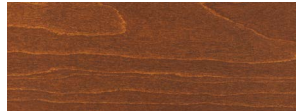
GW Golden Wheat



SD Sand



AT Apricot



PN Pecan



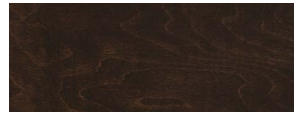
BR Brandy



CT Chestnut



CF Coffee



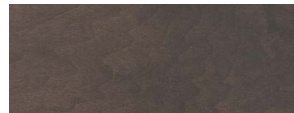
ES Espresso



BO Bordeaux

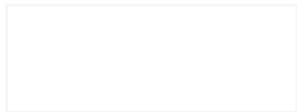


BW Black Wash



BK Bark

Laminate Colors for Bedroom Furniture



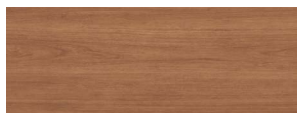
W Polar White



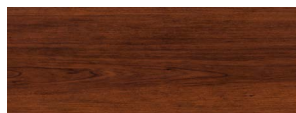
EC Classic Maple *



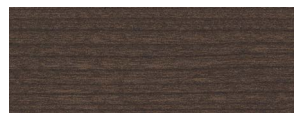
DR Driftwood *



TO Tobacco



BC Brown Cherry



CC Classic Chocolate *

Laminate Colors for Tables

FINI FINISH	CODE	COLOR COULEUR	SURFACES	PANVAL CODE
			1"	
OMNIA	DOO	Dosha	•	K77
	COO	Cosmos	•	K78
AURA	GIA	Ginger Root <i>Gingembre</i>	•	H72
	HAA	Haze <i>Brume</i>	•	H57
	OHA	Ohm	•	K69
	STA	Storm <i>Tempête</i>	•	H58
	TUA	Tundra	•	H75
LYRA	ASY	Asha	•	K47
	CIY	Chiffon <i>Mousseline</i> **	•	K60
	KAY	Kali	•	K46
SUPERMAT	IGS	Ingot grey <i>Gris lingot</i>	•	828
	WGS	Willow grey <i>Gris saule</i>	•	802
DOLOMITE	AU	Audacity <i>Audace</i> **	•	241
	B	Jet Black <i>Noir intense</i> *	•	888 S405-CA
	BC	Brown cherry <i>Cerisier brun</i>	•	207
	C	Slate <i>Ardoise</i> *	•	801
	DR	Driftwood <i>Bois de rive</i>	•	744
	G	Mink Grey <i>Gris vison</i>	•	805 OU-927
	NM	Natural Maple <i>Érable naturel</i>	•	206
	PO	Porto	•	913 OU-648
	SW	Smoked Walnut <i>Noyer fumé</i>	•	G21
	TO	Tobacco	•	205
	W	Polar White <i>Blanc polaire</i>	•	555 459-CA
WK	Whisky	•	245	

* Non recommended color for work surfaces. **N** New
Colors may vary from 2% to 5% between tfl and hpl laminates due to different technical applications.

See our complete [Colors & Finishes Guide](#)

Introduction

Appendix B: COM Fabric

Upholstery Specification

Logiflex offers two options for upholstery specification:

Option 1 :	Customers may specify an upholstery from any supplier. Logiflex will then confirm upholstery grade and seat cost.
Option 2 :	Customers may select and purchase upholstery of their choice and ship upholstery to Logiflex (COM)

Option 1 : Specified Upholstery

Customers may consult the websites of our principal suppliers to visualize their complete product range. It is then possible to consult the graded-in list available on Logiflex.ca to be informed of the appropriate Logiflex grade.

Website of the upholstery supplier gives essential information to the maintenance, availability, quality and performance of the selected upholstery. In all cases, the upholstery supplier's warranty will apply.

Information to provide with the order:

Customer name
Purchase order number
Upholstery supplier name
Pattern name/number
Color name/number
Number of yards to order

Principal suppliers:

Momentum Textiles	themomgroup.com
Ennis Fabrics	ennisfabrics.com
Maharam	maharam.com
DesignTex	designtex
Mayer Fabrics	mayerfabrics.com

See our Graded-In Program at:
logiflex.ca/medias/documents/logiflex-graded-in.pdf

Option 2 : Customer's Own Material (COM)

Logiflex offers the option of providing your own upholstery. The price will be based on the cushion grade 1. The upholstery must be received three weeks prior to the acknowledged ship date. Delay in COM receiving may cause shipment to be delayed.

Customers have the option to provide Logiflex with a sample for approval prior the order. If no sample is sent for approval in advance, Logiflex is not responsible of any cost caused by unsuitable upholstery for the product or the production process. Furthermore, Logiflex reserves the right to refuse any upholstery that does not meet Logiflex selection criteria.

COM must be delivered to the Logiflex factory with freight and duties paid. All charges to COM acquisition on the customer's behalf will be passed onto the customer.

Logiflex does not assume responsibility for upholstery availability, quality, performance or appearance, the Logiflex warranty excludes customer's own materials.

COM upholstery delivery:

The following information must be included with the COM upholstery delivery and be communicated to the account manager along with the purchase order:

Customer name
Purchase order number
Upholstery supplier name
Pattern name/number
Color name/number
Number of yards delivered

Shipping address:

Logiflex
Attn: Receiver
1235 St-Roch North Road
Sherbrooke Quebec
Canada J1N 0H2

Note: A late reception of fabric may cause delivery delays.

Introduction

Appendix B: COM Fabric (continued)

Fabric Quantities

The quantities of fabric yardage to order for each piece of furniture is indicated in the "Manufacturing Standard" section on the product page indicating the amount of yards required.

Where this option is available, you will see the following table in the "Manufacturing Standard" section on the product page indicating the amount of yards required:

Example:

COM Fabric:
Fabric combination possible. Number of yards required:

Code	Total	Bench	Back	Panel
BDFP	7	2.5	2	2.5
BMFP	7.5	2.5	2.5	2.5
BHFP	8.5	2.5	3.5	2.5

Note: It is recommend that you include a layout with all orders.

Graded-In List

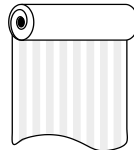
Seat cost depends of selected upholstery. Grade is not established according to upholstery quality or performance, but to its purchase cost. In order to help customers researches, a graded-in list presenting the entire collections od Logiflex's principal suppliers has been prepared. It is possible to consult Logiflex graded-in list by visiting logiflex.ca

Note: The graded-in list is based on information at time of the publication of this document. As upholstery suppliers can discontinue products or increase their prices at their discretion, this list communicated for information purposes only and can not be considered as a sale commitment by Logiflex.

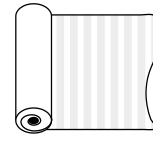
Application of Upholstery

Application of upholstery will follow the directional orientation of its pattern. Explicit instructions must be given to the customer's account manager if a specific direction is desired. Logiflex will not be responsible of problems related to upholstery direction or positioning unless formal instructions has been given along with the purchase order.

Instruction references:



Up the Roll



Railroaded
(across the roll)

Leather

All leathers used are "cowhide".

Please note that the warranty does not apply on leather's natural imperfections, such as: scars, marks, and difference in stain within a leather skin or different skins. This specification also applies for standard leather GR5 and Italian leather GR7 and up.

Polyurethane foam

The polyurethane foam used in the manufacturing of our armchairs is antibacterial.

Different densities exist and will vary from one armchair model to the other. Medium-density foam is used for back and seating parts, while the firmer-density foam is used for armrest parts.

Flammability standards

The foam used meets or exceeds the flammability standards of the California Technical Bulletin 117 norms.

Appendix C: Customized Products

The models presented here are suggestions: they can all be modified according to your needs.

In addition to designing and manufacturing entirely customized furniture, Logiflex offers the option of simply modifying the dimensions of the models presented. A sketch of the desired unit and all pertinent details must be submitted to our quotations department, which will study your request and send you a quotation and a drawing for approval as soon as possible.

Custom Manufacturing

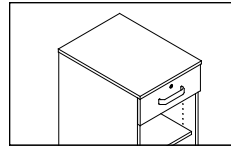
The following custom manufacturing suggestions are available through quotation:

High-Pressure Laminate Tops

Unit tops can be finished with high-pressure laminate, a material recognized for its resilient properties. This option must be specified when ordering. The laminate sheet is glued to the surface and then heat-sealed with a 1.5 mm PVC edge.

Unless otherwise specified in the order, the laminate finish will be coordinated to match the unit's thermally fused laminate color.

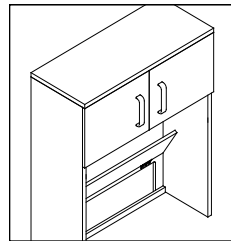
Locks



Satin nickel locks can be installed on all Logilife units. This option must be specified in the order. They are randomly keyed, and two keys are provided per lock. To specify keyed alike locks, a list of the units that have identical keys must be provided with the order.

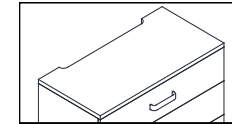
Some lock numbers may be repeated in orders of 50 units or more.

Hinged Back on Hutches



To provide easy access to wiring, the backs of hutches can be cut out and concealed by a hinged panel. This option must be specified when ordering.

Cutout Dresser Top



Dressers intended to accommodate televisions can have a cutout top to provide easy access to wiring. This option must be specified when ordering.

180° or 270° Hinges

Wardrobe doors can be installed on hinges that open 180° or up to 270°, to be specified when ordering.

Master Key

A master key can be provided for units that have locks. This option must be specified when ordering.



Classic Series
Patient Room Furniture

Manufacturing Standards: Classic Series

Product Dimensions

For display purposes, the furniture dimensions represented in the price tables on each product page are rounded to the nearest whole number.

Customized Products

The models presented here are suggestions: they can all be modified according to your needs. In addition to designing and manufacturing entirely customized furniture, Logiflex offers the option of simply modifying the dimensions of the models presented.

Please see page [Appendix B](#) for more information and suggestions about custom manufacturing.

Construction

Frames are made of 3/4" thermally fused laminate. Non-exposed edges are covered with a 0.5 mm PVC strip, while exposed edges are covered with a 1.5 mm strip. This type of thicker and heat-sealed edge increases the unit's durability while preventing infiltration of bacteria and moisture.

All bedside cabinets, dressers and wardrobe cabinets have air vents to ensure air circulation.

Tops

Tops of the Classic series are featureless, in 3/4" thermally fused laminate with 1.5 mm heat-sealed PVC edges.

Drawers and Cabinets

Robust and easy to clean, the drawers are made of black 7/16" particleboard back, bottom and sides. The full extension slides are black and have a capacity of 100lbs.

Drawer and cabinet fronts in the Classic Series are made of 3/4" thermally fused laminate with 1.5 mm heat-sealed PVC edges.

Base

The sides of furniture items in the Classic Series go right to the ground and are equipped with height adjustable, non-marking glides. The front features a full kick plate in 3/4" thermally fused laminate with 1.5 mm heat-sealed PVC edges.

Dressers

Unless otherwise specified when ordering, the dresser back is recessed 2 1/4" so that the unit can be placed against a wall with electrical outlets.

Wardrobes and Cabinets

Adjustable shelves in wardrobes and cabinets are fixed to shelf supports in order to prevent tipping. For greater safety, wardrobes are equipped with a safety garment rail that will support a maximum weight of 75 pounds.

Handles

The standard handle for the Classic Series is the H161, satin nickel finish. However, any Logilife handle may be chosen instead of this standard; simply specify the choice when placing the order.

Handles have been selected for their ergonomic characteristics.

Finishes

5 wood grain finishes and 1 solid color are offered in the Classic Series:

- **BC** - Brown Cherry
- **CC** - Classic chocolate
- **DR** - Driftwood
- **EC** - Classic Maple
- **TO** - Tobacco
- **W** - Polar White

Unless otherwise specified when ordering, all finishes are coordinated to ensure matching thermally fused laminates and PVC edges.

Fronts and doors can be of different colors to make it easier for visually impaired individuals to identify the units.

Edges can be of different colors to make it easier for visually impaired individuals to identify the units.

Wood Grain

Wood grain is always vertical on cabinet doors, and horizontal on drawer fronts and the kick plate.

Safety

For greater safety, Logiflex recommends using anchoring systems like its anti-tipping kits to prevent units from tipping forward. Wall anchoring is recommended for wardrobes and is required for dressers and hutches.

Options

Plastic Drawer Liner: The white plastic drawer liner is designed specifically for easy cleaning of the top drawer of bedside cabinets: it is removable, stands up to cleaning products, and has rounded corners. Its moulded handle makes it easy to take out and put back into the drawer.

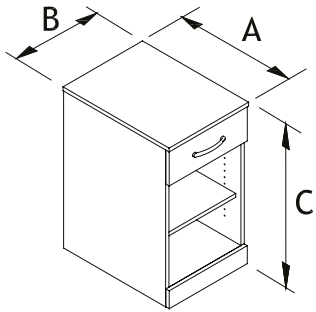
Anti-Tipping Kit: The anti-tipping kit, made from steel and galvanized steel cable, prevents units from tipping forward. For increased safety, it is recommended that dressers and wardrobes be anchored to the wall. Two kits are required for hutches.

Additional Adjustable Shelves: An additional adjustable shelf, with shelf supports included, may be ordered for hutches and wardrobes.

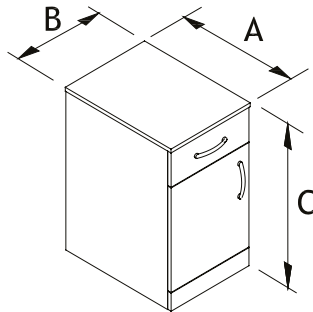
Classic Series

Bedside Cabinet

LFC TC1

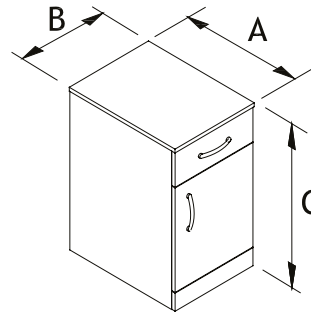


LFC TC2L



Hinges on left side: **L**

LFC TC2R



Hinges on right side: **R**

Manufacturing Standards

TC1:

- 1 drawer with H161 handle;
- 1 open section with 1 adjustable shelf;
- 1 air vent.

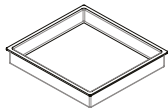
TC2:

- 1 drawer with H161 handle;
- 1 door cabinet with H161 handle and 1 adjustable shelf;
- 1 air vent.

Handles: For handles other than H161 standard, please choose from the Logilife list at no extra charge.

Options

Plastic Drawer Liner



\$106

Prices

TC1

Dimensions	
A B C	LFC
201832	713
241832	739

TC2

Dimensions	
A B C	LFC
201832	815
241832	839

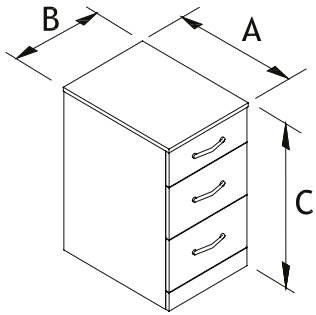
How to Order

LFC	ABC	TC1 TC2L TC2R	H161 (std)	BP	
series	dimensions	code	handles p. 95	drawer liner	
Example	LFC	201832	TC1	H161	BP

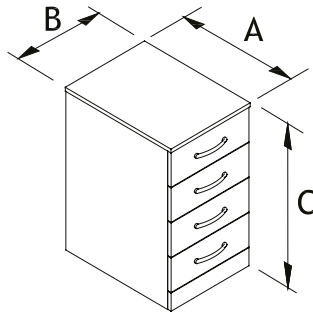
Classic Series

Bedside Cabinet

LFC TC3



LFC TC4



Manufacturing Standards

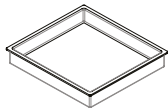
- 3 or 4 drawers with H161 handles;
- 1 air vent.

Note: The height of the top drawer on TC3 is different from the bottom drawers.

Handles: For handles other than H161 standard, please choose from the Logilife list at no extra charge.

Options

Plastic Drawer Liner



\$106

Prices

TC3

Dimensions			LFC
A	B	C	
201832			996
241832			1028

TC4

Dimensions			LFC
A	B	C	
201832			1146
241832			1175

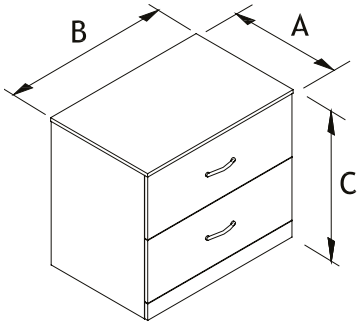
How to Order

LFC	ABC	TC3 TC4	H161 (std)	BP
series	dimensions	code	handles p. 95	drawer liner
Example LFC	201832	TC3	H161	BP

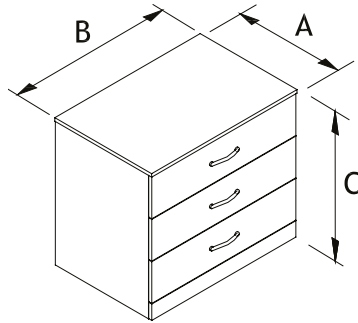
Classic Series

Dressers

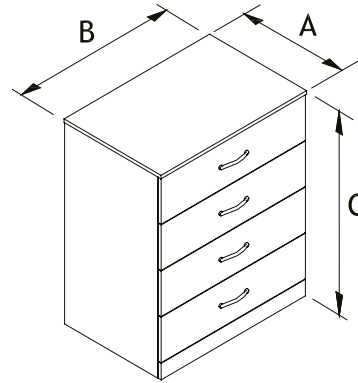
LFC COM2



LFC COM3



LFC COM4



Manufacturing Standards

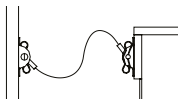
- 2, 3 or 4 drawers with H161 handles;
- 1 air vent;
- 2" recessed back.

Note: See p. 12 for series materials, finishes and manufacturing standard.

Handles: For handles other than H161 standard, please choose from the Logilife list at no extra charge.

Options

Anti-Tipping Kit



\$56

Prices

COM2 - 2 drawers

Dimensions	
A B C	LFC
203032	930
203632	969
243032	957
243632	1000

COM3 - 3 drawers

Dimensions	
A B C	LFC
203032	1078
203632	1124
243032	1116
243632	1163

COM4 - 4 drawers

Dimensions	
A B C	LFC
203044	1302
203644	1357
243044	1347
243644	1404

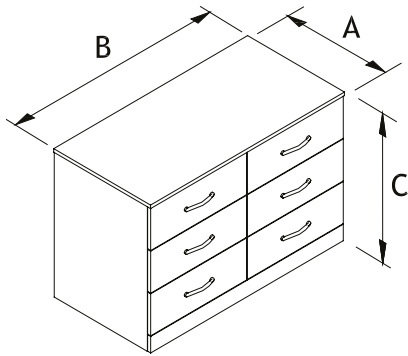
How to Order

LFC	ABC	COM2 COM3 COM4	H161 (std)	DECR
series	dimensions	code	handles p. 95	anti-tipping kit
Example LFC	203032	COM2	H161	DECR

Classic Series

Dressers

LFC COM6



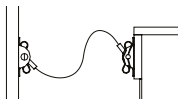
Manufacturing Standards

- 6 drawers with H161 handles;
- 2 air vents;
- 2-1/4" recessed back.

Handles: For handles other than H161 standard, please choose from the Logilife list at no extra charge.

Options

Anti-Tipping Kit



\$56

Prices

COM6 - 6 drawers

Dimensions			LFC
A	B	C	
204832			1712
244832			1761

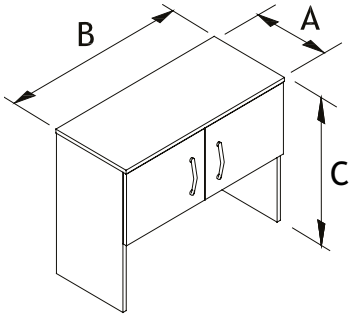
How to Order

LFC	ABC	COM6	H161 (std)	DECR
series	dimensions	code	handles p. 95	anti-tipping kit
Example	LFC 204832	COM6	H161	DECR

Classic Series

Hutches

LFC HL28



Manufacturing Standards

- 2 door hutch with H161 handles;
- 1 black flexible grommet at the bottom of the back.

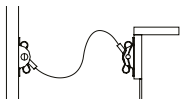
Cabinet inside space: 13" H.

Handles: For handles other than H161 standard, please choose from the Logilife list at no extra charge.

Anti-tipping kit: 2 kits are required for hutches.

Options

Anti-Tipping Kit



\$56

Prices

Dimensions		
A	B	C
1630	28	699
1636	28	725

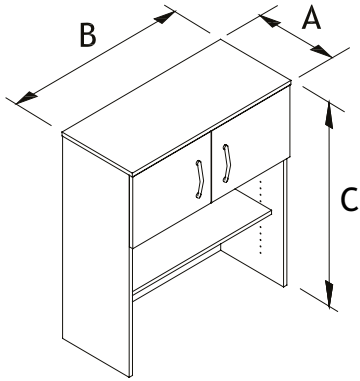
How to Order

LFC	AB	HL	C	H161 (std)	DECR
series	dimensions	code	height	handles p. 95	anti-tipping kit
Example LFC	1630	HL	28	H161	DECR

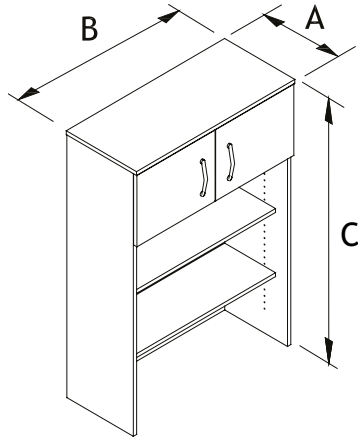
Classic Series

Hutches

LFC HLA40



LFC HLA52



Manufacturing Standards

- 2 door hutch with H161 handles;
- 1 or 2 adjustable shelves;
- 1 black flexible grommet at the bottom of the back.

Cabinet inside space: 13" H.

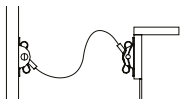
Handles: For handles other than H161 standard, please choose from the Logilife list at no extra charge.

Anti-tipping kit: 2 kits are required for hutches.

Adjustable shelves (SH): 30" L = \$38, 36" L = \$44 per additional shelf, supports included.

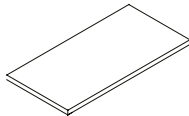
Options

Anti-Tipping Kit



\$56

Additional Shelves



SH

Prices

HLA40 - 1 adjustable shelf

Dimensions			
A	B	C	LFC
1630	40	40	790
1636	40	40	818

HLA52 - 2 adjustable shelves

Dimensions			
A	B	C	LFC
1630	52	40	876
1636	52	40	910

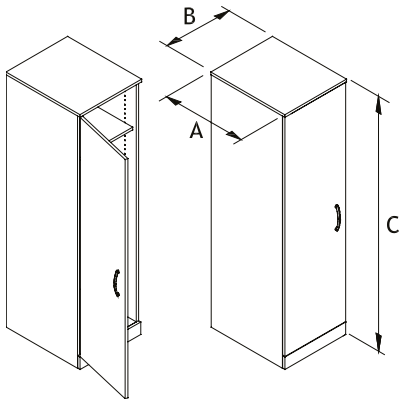
How to Order

LFC	AB	HLA	C	H161 (std)	DECR	SH
series	dimensions	code	height	handles p. 95	anti-tipping kit	shelves
Example LFC	1630	HLA	40	H161	DECR	

Classic Series

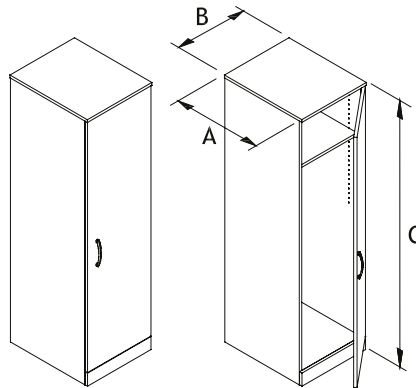
Wardrobes

LFC PEN1L



Hinges on left side: **L**

LFC PEN1R



Hinges on right side: **R**

Manufacturing Standards

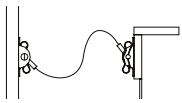
- 1 door wardrobe with H161 handle;
- 1 safety garment rail under adjustable shelf;
- 1 air vent.

Handles: For handles other than H161 standard, please choose from the Logilife list at no extra charge.

Adjustable shelves (SH): 20" L = \$39 per additional shelf, supports included.

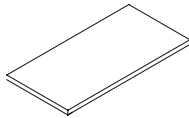
Options

Anti-Tipping Kit



\$56

Additional Shelves



SH

Prices

Dimensions

A	B	C	LFC
242072			1111

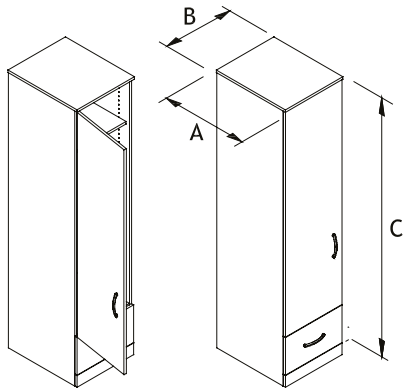
How to Order

LFC	ABC	PEN1	L R	H161 (std)	DECR	SH	
series	dimensions	code	side	handles p. 95	anti-tipping kit	shelves	
Example	LFC	242072	PEN1	L	H161	DECR	

Classic Series

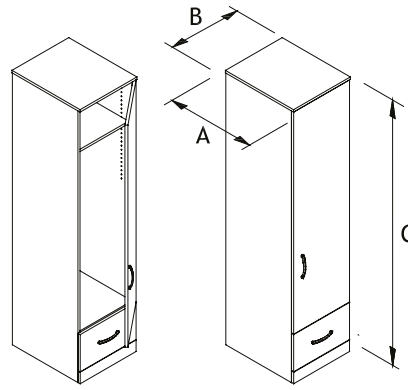
Wardrobes

LFC PEN2L



L

LFC PEN2R



R

Manufacturing Standards

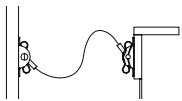
- 1 door wardrobe with H161 handle;
- 1 drawer with H161 handle;
- 1 safety garment rail under adjustable shelf;
- 1 air vent.

Handles: For handles other than H161 standard, please choose from the Logilife list at no extra charge.

Adjustable shelves (SH): 20" L = \$39 per additional shelf, supports included.

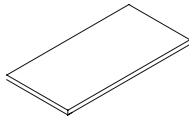
Options

Anti-Tipping Kit



\$56

Additional Shelves



SH

Prices

Dimensions

A	B	C	LFC
242084			1423

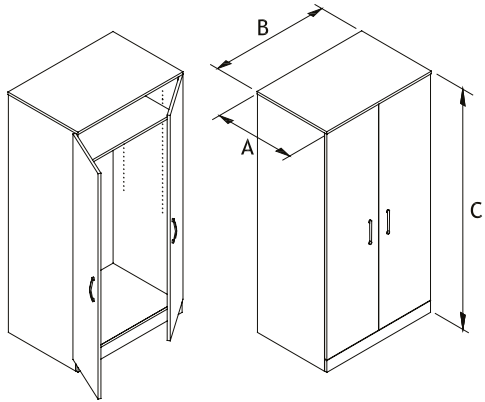
How to Order

LFC	ABC	PEN2	L R	H161 (std)	DECR	SH
series	dimensions	code	side	handles p. 95	anti-tipping kit	shelves
Example	LFC	242084	PEN2	L	H161	DECR

Classic Series

Wardrobes

LFC PEN3



Manufacturing Standards

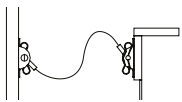
- 2 door wardrobe with H161 handles;
- 1 safety garment rail under adjustable shelf;
- 2 air vents.

Handles: For handles other than H161 standard, please choose from the Logilife list at no extra charge.

Adjustable shelves (SH): for units of 30" L = \$57, 36" L = \$ 71 , 42" W = \$ 82 per additional shelf, supports included.

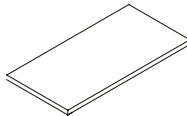
Options

Anti-Tipping Kit



\$56

Additional Shelves



SH

Prices

Dimensions			LFC
A	B	C	
243072			1346
243672			1415

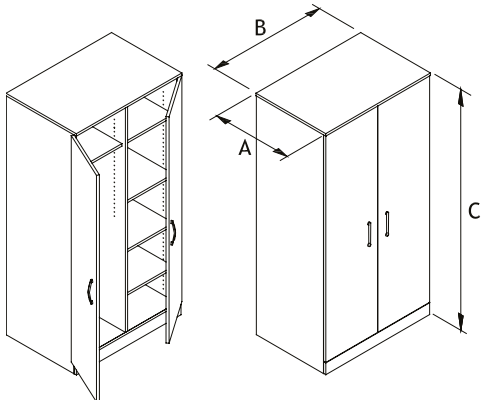
How to Order

LFC	ABC	PEN3	H161 (std)	DECR	SH
series	dimensions	code	handles p. 95	anti-tipping kit	shelves
Example	LFC 243072	PEN3	H161	DECR	

Classic Series

Wardrobes

LFC PEN4



Manufacturing Standards

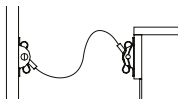
- 2 door wardrobe with H161 handles;
- 1 safety garment rail under adjustable shelf on left;
- 1 central division;
- 4 adjustable shelves on right;
- 2 air vents.

Handles: For handles other than H161 standard, please choose from the Logilife list at no extra charge.

Adjustable shelves (SH): for units of 30" L = \$33, 36" L = \$43, 42" W = \$50 per additional shelf, supports included.

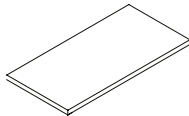
Options

Anti-Tipping Kit



\$56

Additional Shelves



SH

Prices

Dimensions			LFC
A	B	C	
243072			1691
243672			1770

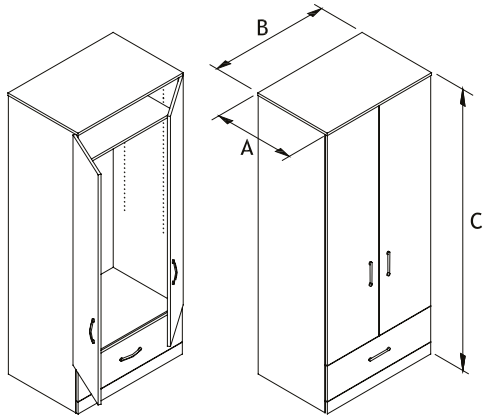
How to Order

LFC	ABC	PEN4	H161 (std)	DECR	SH
series	dimensions	code	handles p. 95	anti-tipping kit	shelves
Example	LFC 243072	PEN4	H161	DECR	

Classic Series

Wardrobes

LFC PEN5



Manufacturing Standards

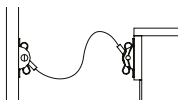
- 2 door wardrobe with H161 handles;
- 1 safety garment rail under adjustable shelf;
- 1 drawer with H161 handle;
- 2 air vents.

Handles: For handles other than H161 standard, please choose from the Logilife list at no extra charge.

Adjustable shelves (SH): for units of 30" L = \$57, 36" L = \$ 71 , 42" W = \$ 82 per additional shelf, supports included.

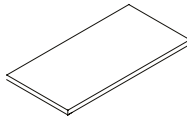
Options

Anti-Tipping Kit



\$56

Additional Shelves



SH

Prices

Dimensions			LFC
A	B	C	
243084			1742

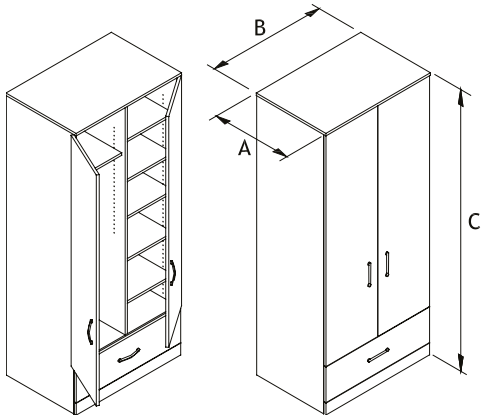
How to Order

LFC	ABC	PEN5	H161 (std)	DECR	SH
series	dimensions	code	handles p. 95	anti-tipping kit	shelves
Example	LFC	243084	PEN5	H161	DECR

Classic Series

Wardrobes

LFC PEN6



Manufacturing Standards

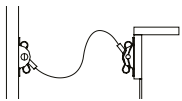
- 2 door wardrobe with H161 handles;
- 1 safety garment rail under adjustable shelf on left;
- 1 drawer with H161 handle;
- 1 central division;
- 5 adjustable shelves on right;
- 2 air vents.

Handles: For handles other than H161 standard, please choose from the Logilife list at no extra charge.

Adjustable shelves (SH): for units of 30" L = \$33, 36" L = \$43, 42" W = \$50 per additional shelf, supports included.

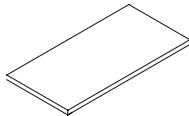
Options

Anti-Tipping Kit



\$56

Additional Shelves



SH

Prices

Dimensions

A	B	C	LFC
243084			2111

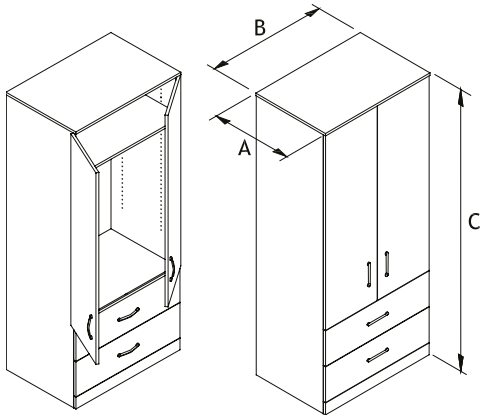
How to Order

LFC	ABC	PEN6	H161 (std)	DECR	SH
series	dimensions	code	handles p. 95	anti-tipping kit	shelves
Example	LFC	243084	PEN6	H161	DECR

Classic Series

Wardrobes

LFC PEN7



Manufacturing Standards

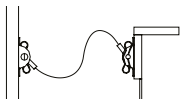
- 2 door wardrobe with H161 handles;
- 2 drawers with H161 handles;
- 1 safety garment rail under adjustable shelf;
- 2 air vents.

Handles: For handles other than H161 standard, please choose from the Logilife list at no extra charge.

Adjustable shelves (SH): for units of 30" L = \$57, 36" L = \$ 71 , 42" W = \$ 82 per additional shelf, supports included.

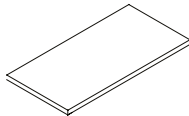
Options

Anti-Tipping Kit



\$56

Additional Shelves



SH

Prices

Dimensions			LFC
A	B	C	
243084			1925

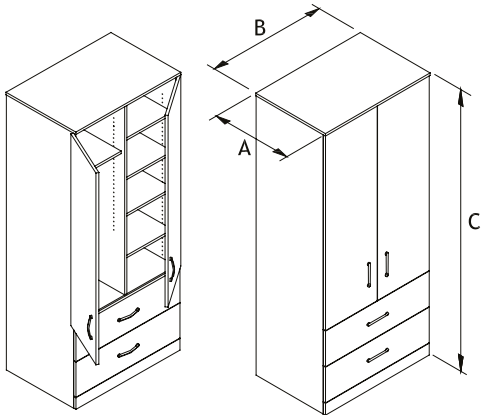
How to Order

LFC	ABC	PEN7	H161 (std)	DECR	SH
series	dimensions	code	handles p. 95	anti-tipping kit	shelves
Example	LFC 243084	PEN7	H161	DECR	

Classic Series

Wardrobes

LFC PEN8



Manufacturing Standards

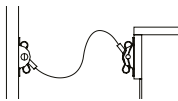
- 2 door wardrobe with H161 handles;
- 1 safety garment rail under adjustable shelf on left;
- 2 drawers with H161 handles;
- 1 central division;
- 4 adjustable shelves on right;
- 2 air vents.

Handles: For handles other than H161 standard, please choose from the Logilife list at no extra charge.

Adjustable shelves (SH): for units of 30" L = \$33, 36" L = \$43, 42" W = \$50 per additional shelf, supports included.

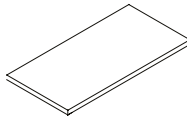
Options

Anti-Tipping Kit



\$56

Additional Shelves



SH

Prices

Dimensions

A	B	C	LFC
24	30	84	2240

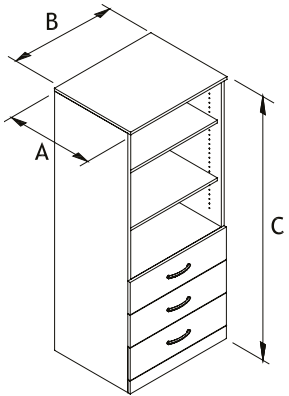
How to Order

LFC	ABC	PEN8	H161 (std)	DECR	SH
series	dimensions	code	handles p. 95	anti-tipping kit	shelves
Example	LFC	243084	PEN8	H161	DECR

Classic Series

Storage Towers

LFC RAN1



Manufacturing Standards

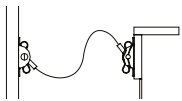
- 1 open space with 2 adjustable shelves;
- 3 drawers with H161 handles.

Handles: For handles other than H161 standard, please choose from the Logilife list at no extra charge.

Adjustable shelves (SH): for units of 30" L = \$57, 36" L = \$ 71 , 42" W = \$ 82 per additional shelf, supports included.

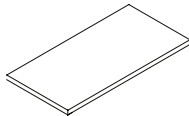
Options

Anti-Tipping Kit



\$56

Additional Shelves



SH

Prices

Dimensions		
A	B	C
243084		1848

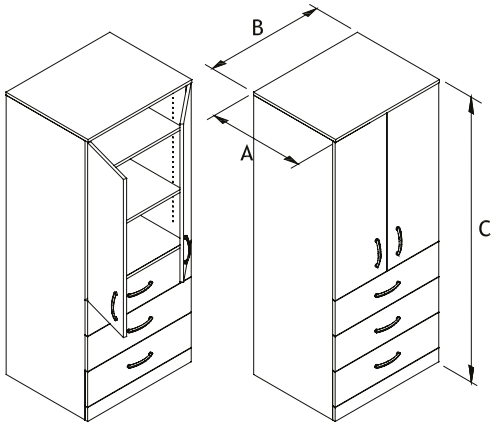
How to Order

LFC	ABC	RAN1	H161 (std)	DECR	SH
series	dimensions	code	handles p. 95	anti-tipping kit	shelves
Example	LFC 243084	RAN1	H161	DECR	

Classic Series

Storage Towers

LFC RAN2



Manufacturing Standards

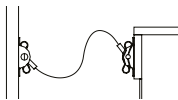
- 2 door cabinet with H161 handles;
- 2 adjustable shelves;
- 3 drawers with H161 handles;
- 1 air vent.

Handles: For handles other than H161 standard, please choose from the Logilife list at no extra charge.

Adjustable shelves (SH): for units of 30" L = \$57, 36" L = \$ 71 , 42" W = \$ 82 per additional shelf, supports included.

Options

Anti-Tipping Kit



\$56

Prices

Dimensions		
A	B	C
243084		2108

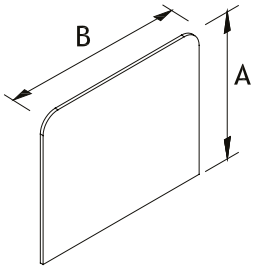
How to Order

LFC	ABC	RAN2	H161 (std)	DECR
series	dimensions	code	handles p. 95	anti-tipping kit
Example	LFC 243084	RAN2	H161	DECR

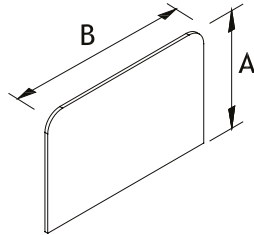
Classic Series

Rectangular Headboard and Footboard

LFC TLRT



LFC PLRT



Manufacturing Standards

- 3/4" laminate headboard and footboard.

Prices

TLRT - Rectangular headboard

Dimensions		LFC
A	B	200
3442		

PLRT - Rectangular footboard

Dimensions		LFC
A	B	160
2742		

How to Order

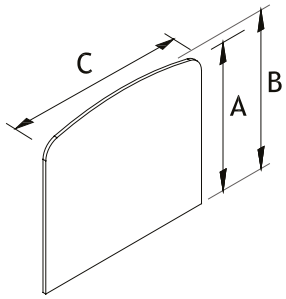
	AB	TLRT PLRT
LFC		
series	dimensions	code

Example **LFC** 3442 TLRT

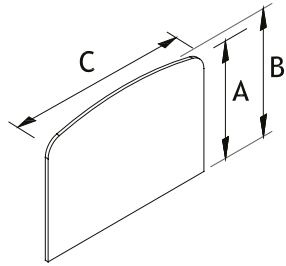
Classic Series

Curved Headboard and Footboard

LFC TLCX



LFC PLCX



Manufacturing Standards

- 3/4" laminate headboard and footboard.

Prices

TLCX - Curved headboard

Dimensions	
A B C	LFC
343742	216

PLCX - Curved footboard

Dimensions	
A B C	LFC
273042	175

How to Order

LFC	ABC	TLCX PLCX
series	dimensions	code
Example LFC	343742	TLCX



Modern Series
Patient Room Furniture

Manufacturing Standards: Modern Series

Customized Products

The models presented here are suggestions: they can all be modified according to your needs. In addition to designing and manufacturing entirely customized furniture, Logiflex offers the option of simply modifying the dimensions of the models presented.

Please see page [Appendix B](#) for more information and suggestions about custom manufacturing.

Construction

Frames are made of 3/4" thermally fused laminate. Non-exposed edges are covered with a 0.5 mm PVC strip, while exposed edges are covered with a 1.5 mm strip. This type of thicker and heat-sealed edge increases the unit's durability while preventing infiltration of bacteria and moisture.

All bedside cabinets, dressers and wardrobe cabinets have air vents to ensure air circulation.

Tops

Tops of the Modern Series are featureless, in 3/4" thermally fused laminate with 1.5 mm heat-sealed PVC edges.

Drawers and Cabinets

Robust and easy to clean, the drawers are made of black 7/16" particleboard back, bottom and sides. The full extension slides are black and have a capacity of 100lbs.

Drawer and cabinet fronts in the Classic Series are made of 3/4" thermally fused laminate with 1.5 mm heat-sealed PVC edges.

Legs

For an easier room maintenance, Modern Series is offered with 6" H tubular metal legs, satin nickel finish, with height adjustable, non-marking glides.

6" H oval metal legs, with satin nickel finish, are available as an option. This must be specified in the order.

Dressers

Unless otherwise specified when ordering, the dresser back is recessed 2 1/4" so that the unit can be placed against a wall with electrical outlets.

Wardrobes and Cabinets

Adjustable shelves in wardrobes and cabinets are fixed to shelf supports in order to prevent tipping. For greater safety, wardrobes are equipped with a safety garment rail that will support a maximum weight of 75 pounds.

Handles

The standard handle for the Modern Series is the H162, satin nickel finish. However, any Logilife handle may be chosen instead of this standard; simply specify the choice when placing the order.

Handles have been selected for their ergonomic characteristics.

Finishes

5 wood grain finishes and 1 solid color are offered in the Modern Series:

- **BC** - Brown Cherry
- **CC** - Classic Chocolate
- **DR** - Driftwood
- **EC** - Classic Maple
- **TO** - Tobacco
- **W** - Polar White

Unless otherwise specified when ordering, all finishes are coordinated to ensure matching thermally fused laminates and PVC edges.

Fronts and doors can be of different colors to make it easier for visually impaired individuals to identify the units.

Edges can be of different colors to make it easier for visually impaired individuals to identify the units.

Wood Grain

Wood grain is always vertical on cabinet doors, and horizontal on drawer fronts and the kick plate.

Safety

For greater safety, Logiflex recommends using anchoring systems like its anti-tipping kits to prevent units from tipping forward. Wall anchoring is recommended for wardrobes and is required for dressers and hutches.

Options

Plastic Drawer Liner: The white plastic drawer liner is designed specifically for easy cleaning of the top drawer of bedside cabinets: it is removable, stands up to cleaning products, and has rounded corners. Its moulded handle makes it easy to take out and put back into the drawer.

Anti-Tipping Kit: The anti-tipping kit, made from steel and galvanized steel cable, prevents units from tipping forward. For increased safety, it is recommended that dressers and wardrobes be anchored to the wall. Two kits are required for hutches.

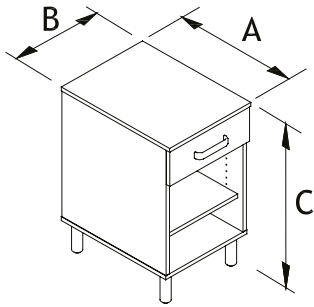
Additional Adjustable Shelves: An additional adjustable shelf, with shelf supports included, may be ordered for hutches and wardrobes.

Locking Casters: 4 locking, swivel polyurethane casters can be installed on bedside cabinets. Logiflex will then remove the kick plate and adjust the unit to the desired height.

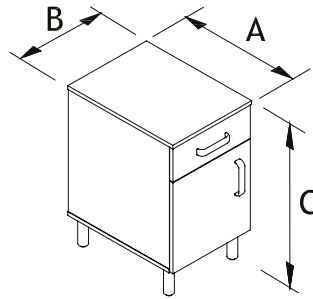
Modern Series

Bedside Cabinet

LFM TC1

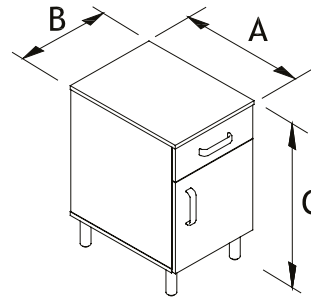


LFM TC2L



Hinges on left side: **L**

LFM TC2R



Hinges on right side: **R**

Manufacturing Standards

The legs are delivered not installed;

TC1:

- 1 drawer with H162 handle;
- 1 open section with 1 adjustable shelf;
- 6" tubular metal legs (TU6SN);
- 1 air vent.

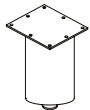
TC2:

- 1 drawer with H162 handle;
- 1 door cabinet with H162 handle and 1 adjustable shelf;
- 6" tubular metal legs (TU6SN);
- 1 air vent.

Handles: For handles other than H162 standard, please choose from the Logilife list at no extra charge.

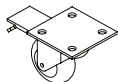
Options

Oval Legs (set of 4)



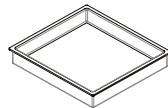
\$0

Locking Casters (set of 4)



\$64

Plastic Drawer Liner



\$106

Prices

TC1

Dimensions			LFM
A	B	C	
201832			794
241832			818

TC2

Dimensions			LFM
A	B	C	
201832			896
241832			921

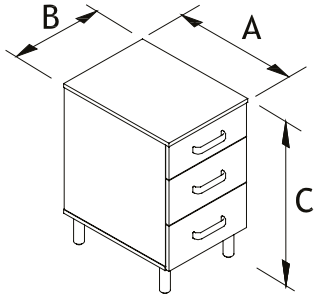
How to Order

LFM	ABC	TC1 TC2L TC2R	WF OVAM6SN TU6SN (std)	H162 (std)	BP
series	dimensions	code	legs and casters	handles p. 95	drawer liner
Example LFM	201832	TC1	TU6SN	H162	BP

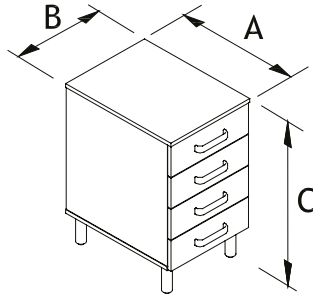
Modern Series

Bedside Cabinet

LFM TC3



LFM TC4



Manufacturing Standards

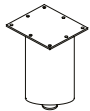
- The legs are delivered not installed;
- 3 or 4 drawers with H162 handles;
- 6" tubular metal legs (TU6SN);
- 1 air vent.

Note: The height of the top drawer on TC3 is different from the bottom drawers.

Handles: For handles other than H162 standard, please choose from the Logilife list at no extra charge.

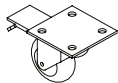
Options

Oval Legs (set of 4)



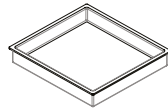
\$0

Locking Casters (set of 4)



\$64

Plastic Drawer Liner



\$106

Prices

TC3

Dimensions			LFM
A	B	C	
201832			1077
241832			1109

TC4

Dimensions			LFM
A	B	C	
201832			1222
241832			1257

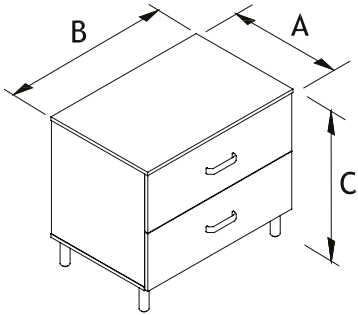
How to Order

LFM	ABC	TC3 TC4	WF OVAM6SN TU6SN (std)	H162 (std)	BP
series	dimensions	code	legs and casters	handles p. 95	drawer liner
Example LFM	201832	TC3	TU6SN	H162	BP

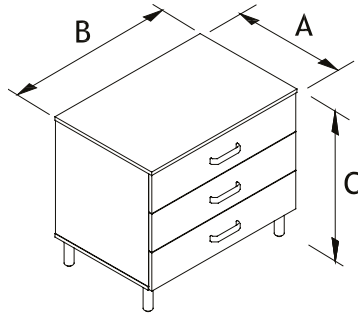
Modern Series

Dressers

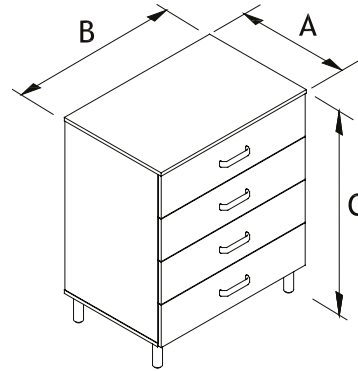
LFM COM2



LFM COM3



LFM COM4



Manufacturing Standards

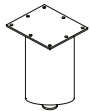
- The legs are delivered not installed;
- 2, 3 or 4 drawers with H162 handles;
- 6" tubular metal legs (TU6SN);
- 1 air vent;
- 2-1/4" recessed back.

Note: See p. 12 for series materials, finishes and manufacturing standard.

Handles: For handles other than H162 standard, please choose from the Logilife list at no extra charge.

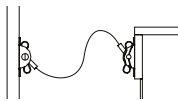
Options

Oval Legs (set of 4)



\$0

Anti-Tipping Kit



\$56

Prices

COM2 - 2 drawers

Dimensions			LFM
A	B	C	
203032			1009
203632			1048
243032			1036
243632			1079

COM3 - 3 drawers

Dimensions			LFM
A	B	C	
203032			1158
203632			1202
243032			1195
243632			1243

COM4 - 4 drawers

Dimensions			LFM
A	B	C	
203044			1381
203644			1435
243044			1428
243644			1483

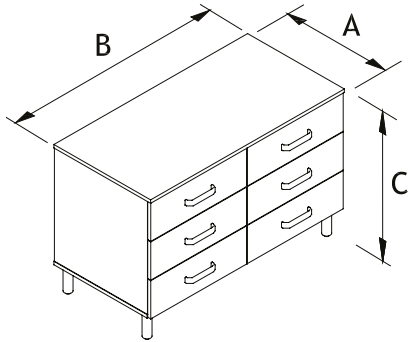
How to Order

LFM	ABC	COM2 COM3 COM4	OVAM6SN TU6SN (std)	H162 (std)	DECR
series	dimensions	code	legs and casters	handles p. 95	anti-tipping kit
Example LFM	203032	COM2	TU6SN	H162	DECR

Modern Series

Dressers

LFM COM6



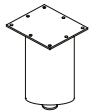
Manufacturing Standards

- The legs are delivered not installed;
- 6 drawers with H162 handles;
- 6" tubular metal legs (TU6SN);
- 2 air vents;
- 2-1/4" recessed back.

Handles: For handles other than H162 standard, please choose from the Logilife list at no extra charge.

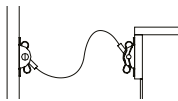
Options

Oval Legs (set of 4)



\$0

Anti-Tipping Kit



\$56

Prices

COM6 - 6 drawers

Dimensions			
A	B	C	LFM
204832			1789
244832			1836

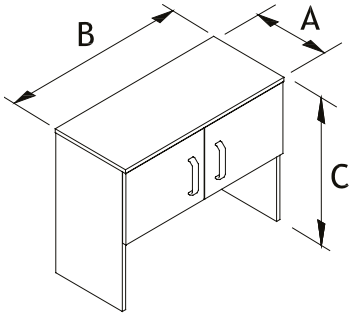
How to Order

LFM	ABC	COM6	OVAM6SN TU6SN (std)	H162 (std)	DECR
series	dimensions	code	legs and casters	handles p. 95	anti-tipping kit
Example LFM	204832	COM6	TU6SN	H162	DECR

Modern Series

Hutches

LFM HL28



Manufacturing Standards

- 2 door hutch with H162 handles;
- 1 black flexible grommet at the bottom of the back.

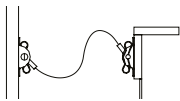
Cabinet inside space: 13" H.

Handles: For handles other than H162 standard, please choose from the Logilife list at no extra charge.

Anti-tipping kit: 2 kits are required for hutches.

Options

Anti-Tipping Kit



\$56

Prices

Dimensions			
A	B	C	LFM
1630	28	699	
1636	28	725	

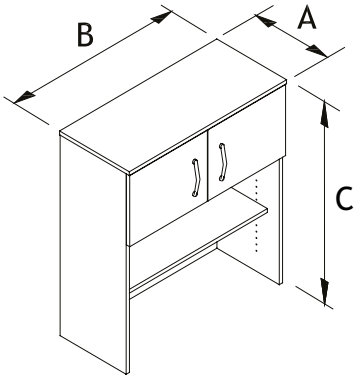
How to Order

	AB		C	H162 (std)	DECR	
LFM		HL				
series	dimensions	code	height	handles p. 95	anti-tipping kit	
Example	LFM	1630	HL	28	H162	DECR

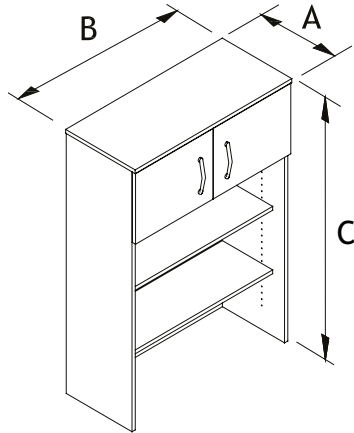
Modern Series

Hutches

LFM HLA40



LFM HLA52



Manufacturing Standards

- 2 door hutch with H162 handles;
- 1 or 2 adjustable shelves;
- 1 black flexible grommet at the bottom of the back.

Cabinet inside space: 13" H.

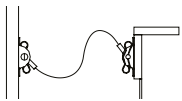
Handles: For handles other than H162 standard, please choose from the Logilife list at no extra charge.

Anti-tipping kit: 2 kits are required for hutches.

Adjustable shelves (SH): 30" L = \$38, 36" L = \$44 per additional shelf, supports included.

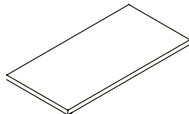
Options

Anti-Tipping Kit



\$56

Additional Shelves



SH

Prices

HLA40 - 1 adjustable shelf

Dimensions			LFM
A	B	C	
1630	40	790	
1636	40	818	

HLA52 - 2 adjustable shelves

Dimensions			LFM
A	B	C	
1630	52	876	
1636	52	910	

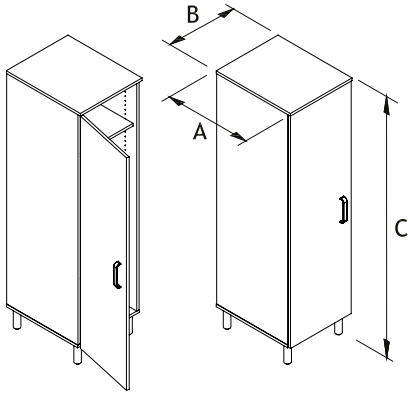
How to Order

LFM	AB	HLA	C	H162 (std)	DECR	SH
series	dimensions	code	height	handles p. 95	anti-tipping kit	shelves
Example LFM	1630	HLA	40	H162	DECR	

Modern Series

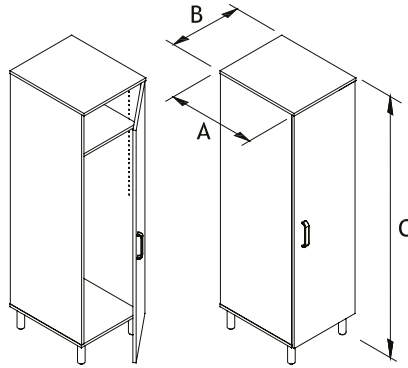
Wardrobes

LFM PEN1L



Hinges on left side: **L**

LFM PEN1R



Hinges on right side: **R**

Manufacturing Standards

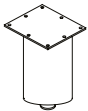
- The legs are delivered not installed;
- 1 door wardrobe with H162 handle;
- 1 safety garment rail under adjustable shelf;
- 6" tubular metal legs (TU6SN);
- 1 air vent.

Handles: For handles other than H162 standard, please choose from the Logilife list at no extra charge.

Adjustable shelves (SH): 20" L = \$39 per additional shelf, supports included.

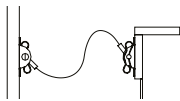
Options

Oval Legs (set of 4)



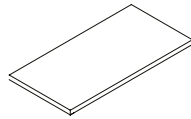
\$0

Anti-Tipping Kit



\$56

Additional Shelves



SH

Prices

Dimensions

A	B	C	LFM
24	20	72	1203

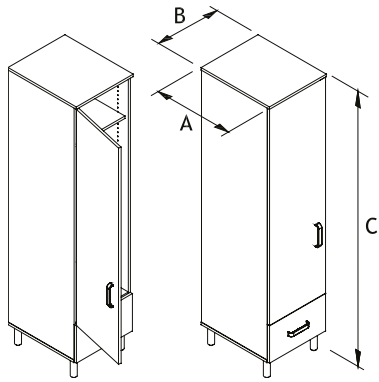
How to Order

LFM	ABC	PEN1	L R	OVAM6SN TU6SN (std)	H162 (std)	DECR	SH
series	dimensions	code	side	legs and casters	handles p. 95	anti-tipping kit	shelves
Example LFM	242072	PEN1	L	TU6SN	H162	DECR	

Modern Series

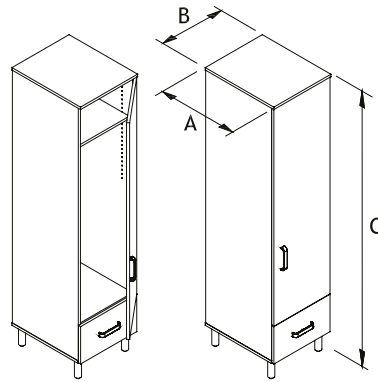
Wardrobes

LFM PEN2L



Hinges on left side: **L**

LFM PEN2R



R

Manufacturing Standards

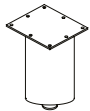
- The legs are delivered not installed;
- 1 door wardrobe with H162 handle;
- 1 drawer with H161 handle;
- 1 safety garment rail under adjustable shelf;
- 6" tubular metal legs (TU6SN);
- 1 air vent.

Handles: For handles other than H162 standard, please choose from the Logilife list at no extra charge.

Adjustable shelves (SH): 20" L = \$39 per additional shelf, supports included.

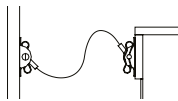
Options

Oval Legs (set of 4)



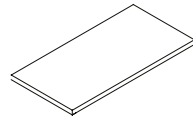
\$0

Anti-Tipping Kit



\$56

Additional Shelves



SH

Prices

Dimensions

A	B	C	LFM
24	20	84	1515

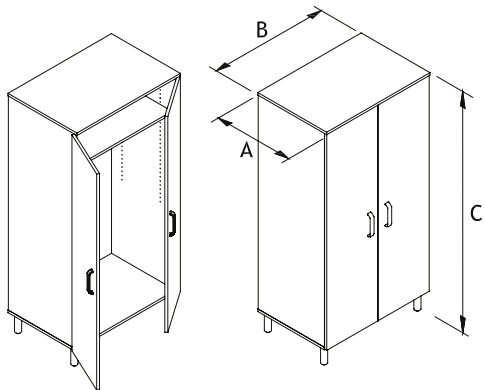
How to Order

LFM	ABC	PEN2	L R	OVAM6SN TU6SN (std)	H162 (std)	DECR	SH
series	dimensions	code	side	legs and casters	handles p. 95	anti-tipping kit	shelves
Example LFM	242084	PEN2	L	TU6SN	H162	DECR	

Modern Series

Wardrobes

LFM PEN3



Manufacturing Standards

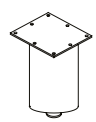
- The legs are delivered not installed;
- 2 door wardrobe with H162 handles;
- 1 safety garment rail under adjustable shelf;
- 6" tubular metal legs (TU6SN);
- 2 air vents.

Handles: For handles other than H162 standard, please choose from the Logilife list at no extra charge.

Adjustable shelves (SH): for units of 30" L = \$57, 36" L = \$ 71 , 42" W = \$ 82 per additional shelf, supports included.

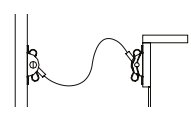
Options

Oval Legs
(set of 4)



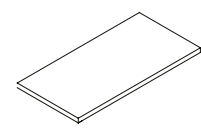
\$0

Anti-Tipping Kit



\$56

Additional Shelves



SH

Prices

Dimensions			
A	B	C	LFM
243072			1436
243672			1506

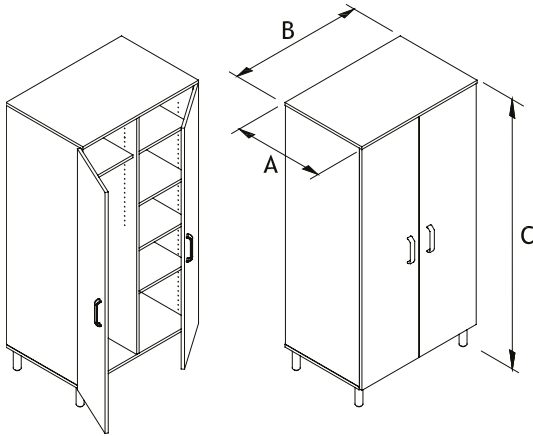
How to Order

LFM	ABC	PEN3	OVAM6SN TU6SN (std)	H162 (std)	DECR	SH
series	dimensions	code	legs and casters	handles p. 95	anti-tipping kit	shelves
Example LFM	243072	PEN3	TU6SN	H162	DECR	

Modern Series

Wardrobes

LFM PEN4



Manufacturing Standards

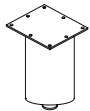
- The legs are delivered not installed;
- 2 door wardrobe with H162 handles;
- 1 safety garment rail under adjustable shelf on left;
- 1 central division;
- 4 adjustable shelves on right;
- 6" tubular metal legs (TU6SN);
- 2 air vents.

Handles: For handles other than H162 standard, please choose from the Logilife list at no extra charge.

Adjustable shelves (SH): for units of 30" L = \$27, 36" L = \$37, 42" W = \$ 42 per additional shelf, supports included.

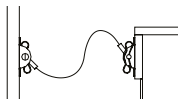
Options

Oval Legs (set of 4)



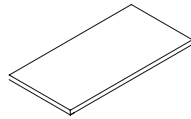
\$0

Anti-Tipping Kit



\$56

Additional Shelves



SH

Prices

Dimensions			LFM
A	B	C	
243072			1780
243672			1861

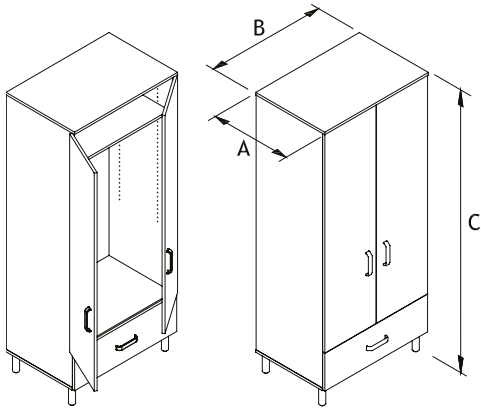
How to Order

LFM	ABC	PEN4	OVAM6SN TU6SN (std)	H162 (std)	DECR	SH
series	dimensions	code	legs and casters	handles p. 95	anti-tipping kit	shelves
Example LFM	243072	PEN4	TU6SN	H162	DECR	

Modern Series

Wardrobes

LFM PEN5



Manufacturing Standards

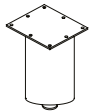
- The legs are delivered not installed;
- 2 door wardrobe with H162 handles;
- 1 safety garment rail under adjustable shelf;
- 1 drawer with H162 handle;
- 6" tubular metal legs (TU6SN);
- 2 air vents.

Handles: For handles other than H162 standard, please choose from the Logilife list at no extra charge.

Adjustable shelves (SH): for units of 30" L = \$57, 36" L = \$ 71 , 42" W = \$ 82 per additional shelf, supports included.

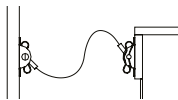
Options

Oval Legs (set of 4)



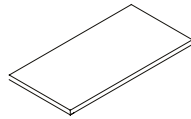
\$0

Anti-Tipping Kit



\$56

Additional Shelves



SH

Prices

Dimensions

A	B	C	LFM
243	084		1832

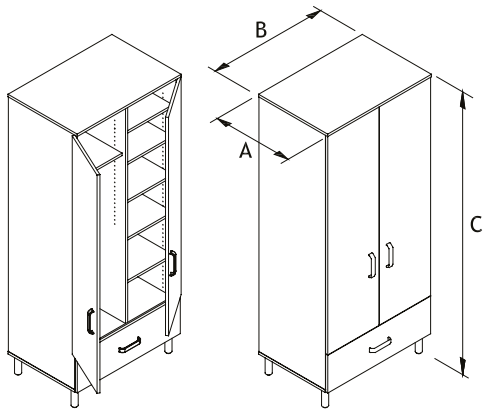
How to Order

LFM	ABC	PEN5	OVAM6SN TU6SN (std)	H162 (std)	DECR	SH
series	dimensions	code	legs and casters	handles p. 95	anti-tipping kit	shelves
Example	LFM	243084	PEN5	TU6SN	H162	DECR

Modern Series

Wardrobes

LFM PEN6



Manufacturing Standards

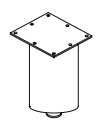
- The legs are delivered not installed;
- 2 door wardrobe with H162 handles;
- 1 safety garment rail under adjustable shelf on left;
- 1 drawer with H162 handle;
- 1 central division;
- 5 adjustable shelves on right;
- 6" tubular metal legs (TU6SN);
- 2 air vents.

Handles: For handles other than H162 standard, please choose from the Logilife list at no extra charge.

Adjustable shelves (SH): for units of 30" L = \$33, 36" L = \$43, 42" W = \$50 per additional shelf, supports included.

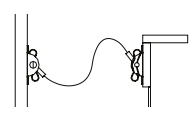
Options

Oval Legs
(set of 4)



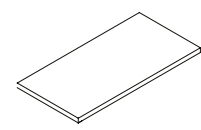
\$0

Anti-Tipping Kit



\$56

Additional Shelves



SH

Prices

Dimensions			LFM
A	B	C	
243084			2202

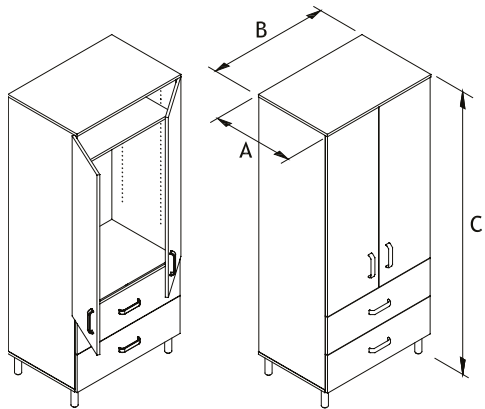
How to Order

LFM	ABC	PEN6	OVAM6SN TU6SN (std)	H162 (std)	DECR	SH
series	dimensions	code	legs and casters	handles p. 95	anti-tipping kit	shelves
Example LFM	243084	PEN6	TU6SN	H162	DECR	

Modern Series

Wardrobes

LFM PEN7



Manufacturing Standards

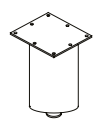
- The legs are delivered not installed;
- 2 door wardrobe with H162 handles;
- 1 safety garment rail under adjustable shelf;
- 2 drawers with H162 handles;
- 6" tubular metal legs (TU6SN);
- 2 air vents.

Handles: For handles other than H162 standard, please choose from the Logilife list at no extra charge.

Adjustable shelves (SH): for units of 30" L = \$57, 36" L = \$ 71, 42" W = \$ 82 per additional shelf, supports included.

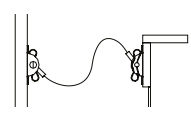
Options

Oval Legs
(set of 4)



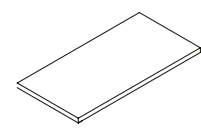
\$0

Anti-Tipping Kit



\$56

Additional Shelves



SH

Prices

Dimensions			LFM
A	B	C	
243084			2016

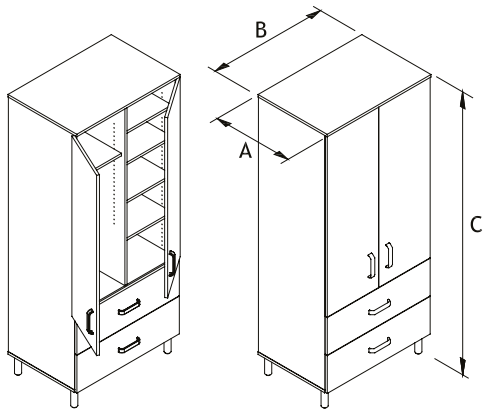
How to Order

LFM	ABC	PEN7	OVAM6SN TU6SN (std)	H162 (std)	DECR	SH
series	dimensions	code	legs and casters	handles p. 95	anti-tipping kit	shelves
Example LFM	243084	PEN7	TU6SN	H162	DECR	

Modern Series

Wardrobes

LFM PEN8



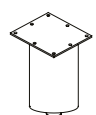
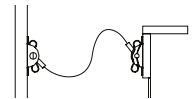
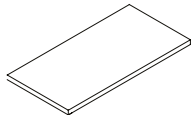
Manufacturing Standards

- The legs are delivered not installed;
- 2 door wardrobe with H162 handles;
- 1 safety garment rail under adjustable shelf on left;
- 2 drawers with H162 handles;
- 1 central division;
- 4 adjustable shelves on right;
- 6" tubular metal legs (TU6SN);
- 2 air vents.

Handles: For handles other than H162 standard, please choose from the Logilife list at no extra charge.

Adjustable shelves (SH): for units of 30" L = \$33, 36" L = \$43, 42" W = \$50 per additional shelf, supports included.

Options

<p>Oval Legs (set of 4)</p>  <p>\$0</p>	<p>Anti-Tipping Kit</p>  <p>\$56</p>	<p>Additional Shelves</p>  <p>SH</p>
---	--	--

Prices

Dimensions			LFM
A	B	C	
243084			2331

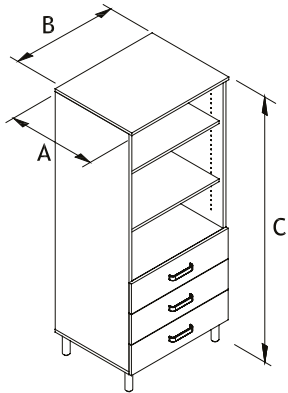
How to Order

LFM	ABC	PEN8	OVAM6SN TU6SN (std)	H162 (std)	DECR	SH	
series	dimensions	code	legs and casters	handles p. 95	anti-tipping kit	shelves	
Example	LFM	243084	PEN8	TU6SN	H162	DECR	

Modern Series

Storage Towers

LFM RAN1



Manufacturing Standards

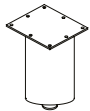
- The legs are delivered not installed;
- 1 open space with 2 adjustable shelves;
- 6" tubular metal legs (TU6SN);
- 3 drawers with H162 handles.

Handles: For handles other than H162 standard, please choose from the Logilife list at no extra charge.

Adjustable shelves (SH): for units of 30" L = \$ 57 , 36" L = \$ 71 , 42" W = \$ 82 per additional shelf, supports included.

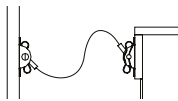
Options

Oval Legs (set of 4)



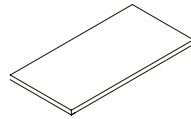
\$0

Anti-Tipping Kit



\$56

Additional Shelves



SH

Prices

Dimensions			LFM
A	B	C	
24	3084		1940

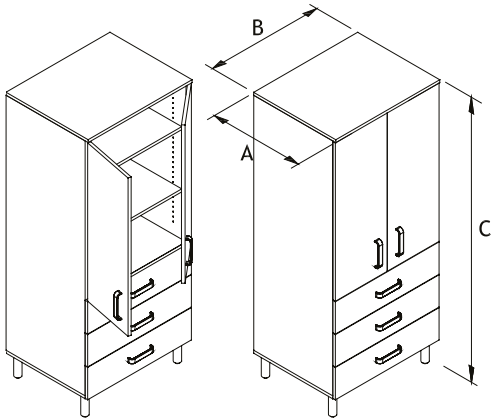
How to Order

LFM	ABC	RAN1	OVAM6SN TU6SN (std)	H162 (std)	DECR	SH
series	dimensions	code	legs and casters	handles p. 95	anti-tipping kit	shelves
Example	LFM	243084	RAN1	TU6SN	H162	DECR

Modern Series

Storage Towers

LFM RAN2



Manufacturing Standards

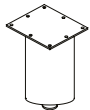
- The legs are delivered not installed;
- 2 door cabinet with H162 handles;
- 2 adjustable shelves;
- 3 drawers with H162 handles;
- 6" tubular metal legs (TU6SN);
- 1 air vent.

Handles: For handles other than H162 standard, please choose from the Logilife list at no extra charge.

Adjustable shelves (SH): for units of 30" L = \$ 57 , 36" L = \$ 71 , 42" W = \$ 82 per additional shelf, supports included.

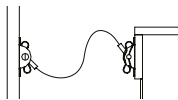
Options

Oval Legs (set of 4)



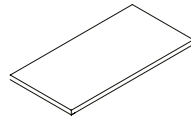
\$0

Anti-Tipping Kit



\$56

Additional Shelves



SH

Prices

Dimensions			LFM
A	B	C	
24	30	84	2201

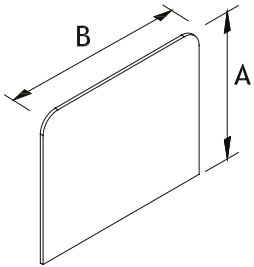
How to Order

LFM	ABC	RAN2	OVAM6SN TU6SN (std)	H162 (std)	DECR	SH
series	dimensions	code	legs and casters	handles p. 95	anti-tipping kit	shelves
Example	LFM	243084	RAN2	TU6SN	H162	DECR

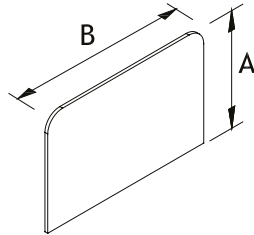
Modern Series

Rectangular Headboard and Footboard

LFM TLRT



LFM PLRT



Manufacturing Standards

- 3/4" laminate headboard and footboard.

Prices

TLRT - Rectangular headboard

Dimensions		LFM
A	B	200
3442		

PLRT - Rectangular footboard

Dimensions		LFM
A	B	160
2742		

How to Order

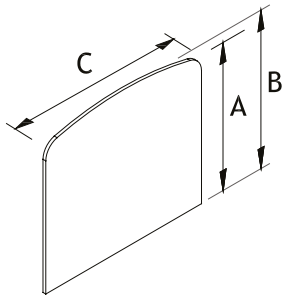
LFM	AB	TLRT PLRT
series	dimensions	code

Example LFM 3442 TLRT

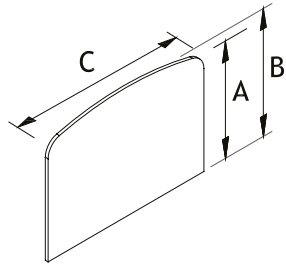
Modern Series

Curved Headboard and Footboard

LFM TLCX



LFM PLCX



Manufacturing Standards

- 3/4" laminate headboard and footboard.

Prices

TLCX - Curved headboard

Dimensions

A	B	C	LFM
343742			216

PLCX - Curved footboard

Dimensions

A	B	C	LFM
273042			175

How to Order

LFM	ABC	TLCX PLCX
series	dimensions	code

Example LFM 343742 TLCX

Tables



Tables Series

Flex, All-Purpose & Occasional Tables

Tables

Manufacturing Standards: Tables Series

Tops

All Logilife Tables are made of 1" thermally fused laminate or high pressure laminate tops with 2mm heat-sealed PVC edges.

Flex Tables



Flex tables offer independent height adjustment of each surface. Surfaces are adjustable from 27" to 33". Bases are designed to allow maximum clearance to facilitate medical assistant duties. Tables are equipped with height adjustable glides.

Tables with Height Adjustable Mechanism

Tables provided with a pneumatic mechanism base can be adjust in height from 28" to 36".

Limited Lifetime Warranty

All Logilife furniture manufactured after August 1, 2012 is provided with a limited lifetime warranty.

Finishes

5 wood grain finishes and 1 solid color are offered in the Tables Series:

- **BC** - Brown Cherry
- **CC** - Classic Chocolate
- **DR** - Driftwood
- **EC** - Classic Maple
- **TO** - Tobacco
- **W** - Polar White

Customized Products

The models presented here are suggestions: they can all be modified according to your needs.

Please see page [Appendix B](#) for more information and suggestions about custom manufacturing.

Options

Flip-top Mechanism | Tables with BPX Bases:



Tables with pneumatic mechanism can be ordered with a flip-top mechanism to reduce the storage footprint.

Lazy Susan | Flex Tables:



Flex tables can receive a central swivel circular tray.

Curved Fronts | Flex Tables:



Flex table surfaces may have a concave shape for the user comfort.

Sliding Action | Flex Tables:

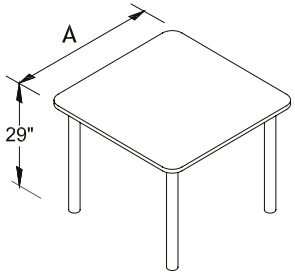


Each top of Flex tables can be provided with independent mechanism for adjustability in depth in order to move tops forward. 1 mechanism per top is needed.

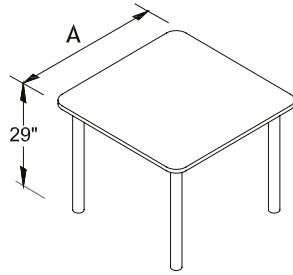
Tables

All Purpose Tables

TCAIFN



TCAOVA



Manufacturing Standards

- Delivered disassembled;
- Square surface with rounded corners;
- Metal legs, satin nickel finish.

Prices

TCAIFN - 2-1/2" metal tubular legs

Dimensions	LF	LFL
A	tfl	hpl
36	564	746
42	596	820

TCAOVA - Metal oval legs

Dimensions	LF	LFL
A	tfl	hpl
36	880	1078
42	914	1155

How to Order

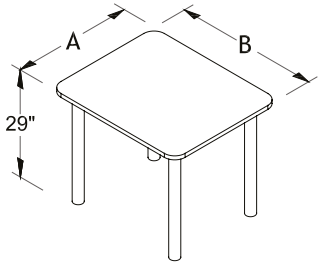
LF	A	IFN	OVA	SN
LFL		TCA		
series	dimensions	top	legs	metal finish
LF	36	TCA	IFN	SN

Example LF 36 TCA IFN SN

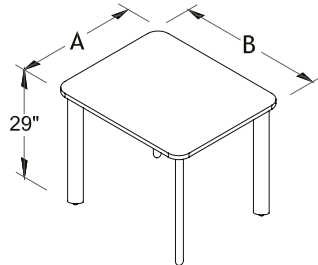
Tables

All Purpose Tables

TAIFN



TAOVA



Manufacturing Standards

- Delivered disassembled;
- Rectangular surface with rounded corners;
- Metal legs, satin nickel finish.

Prices

TAIFN - 2-1/2" metal tubular legs

Dimensions A B	LF tfl	LFL hpl
2430	524	690
3036	550	718
3648	596	768
3654	624	796

TAOVA - Metal oval legs

Dimensions A B	LF tfl	LFL hpl
2430	806	988
3036	897	1083
3648	914	1099
3654	942	1129

How to Order

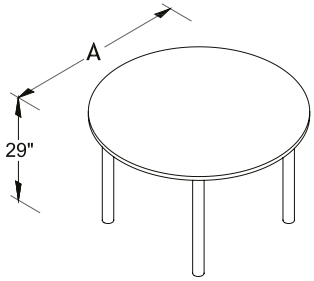
LF LFL	AB	TA IFN	OVA	SN
series	dimensions	top	legs	metal finish

Example LF 2430 TA IFN SN

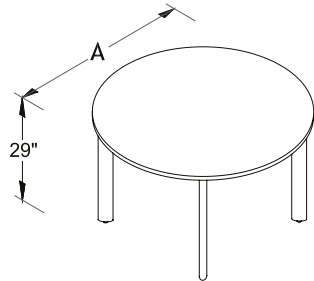
Tables

All Purpose Tables

TRIFN



TROVA



Manufacturing Standards

- Delivered disassembled;
- Circular surface;
- Metal legs, satin nickel finish.

Prices

TRIFN - 2-1/2" metal tubular legs

Dimensions	LF	LFL
A	tfl	hpl
36	564	746
42	596	820

TROVA - Metal oval legs

Dimensions	LF	LFL
A	tfl	hpl
36	880	1078
42	914	1155

How to Order

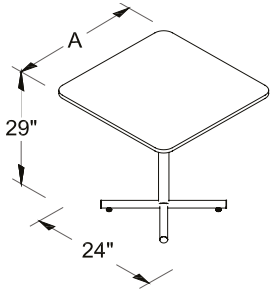
LF LFL	A	TR IFN	OVA	SN
series	dimensions	top	legs	metal finish
LF	36	TR	IFN	SN

Example LF 36 TR IFN SN

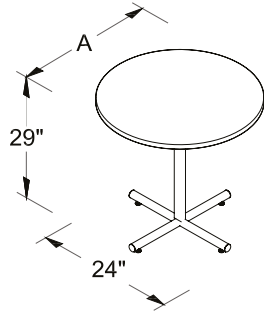
Tables

All Purpose Tables

TCASTA4



TRSTA4



Manufacturing Standards

- Delivered disassembled;
- 1-1/2" metal tubular base.

Prices

TCASTA4 - Square surface with rounded corners

Dimensions	LF	LFL
A	tfl	hpl
24	762	883

TRSTA4 - Circular surface

Dimensions	LF	LFL
A	tfl	hpl
24	736	858

How to Order

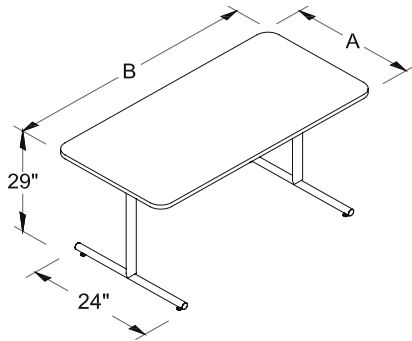
LF	A	TCA	TR	
LFL				
	24		STA424	SN
series	dimensions	top	legs	metal finish

Example	LF	24	TCA	STA424	SN
----------------	----	----	-----	--------	----

Tables

All Purpose Tables

TASTA2



Manufacturing Standards

- Delivered disassembled;
- Rectangular surface with rounded corners;
- 1-1/2" metal tubular legs.

Prices

Dimensions A B	LF tfl	LFL hpl
2436	1002	1181
2442	1010	1209
2448	1017	1239
2454	1027	1266
2460	1112	1377

How to Order

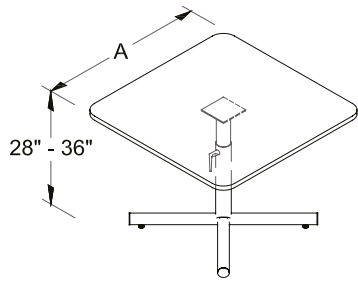
	LF LFL	AB	TA	STA224	SN
series	dimensions	top	legs	metal finish	

Example LF 2436 TA STA224 SN

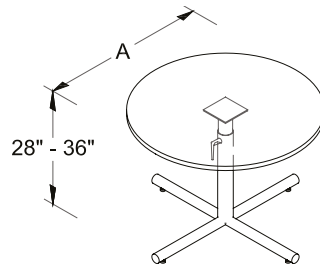
Tables

All Purpose Tables

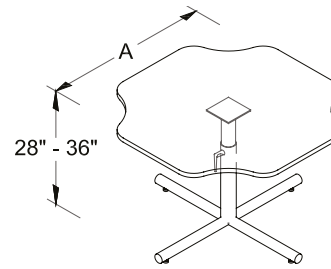
TCABPX



TRBPX



ARCBPX



Manufacturing Standards

- Delivered disassembled;
- Tubular metal base with pneumatic adjustable height mechanism from 28" to 36"H.

Options

Flip-Top Mechanism



FT
\$128

Prices

TCABPX - Square surface with rounded corners

Dimensions	LF	LFL
A	tfl	hpl
38	1652	1883
42	1695	1965

TRBPX - Circular surface

Dimensions	LF	LFL
A	tfl	hpl
38	1655	1887
42	1697	1968

ARCBPX - Square surface with concave corners

Dimensions	LF	LFL
A	tfl	hpl
42	1769	2041

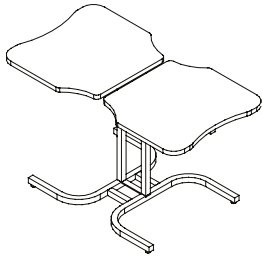
How to Order

LF	A	TCA TR ARC	BPX	SN	FT
LFL					
series	dimensions	top	legs	metal finish	flip-top
Example LF	42	TCA	BPX	SN	

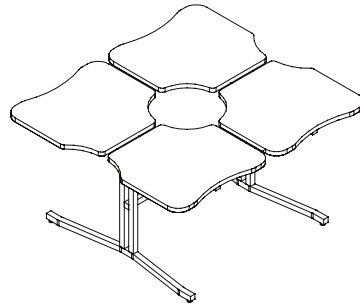
Tables

Flex Tables

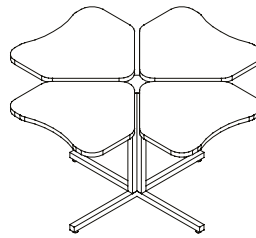
FLEX2



FLEX4T



FLEX4X



Manufacturing Standards

- 2 or 4 tops with curved tops;
- Independent adjustable height mechanism from 27" to 37"H.

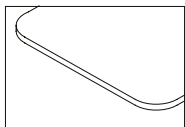
Note: Sliding Tray (AP) option adds a 6-1/2" adjustment towards the user.

Dimensions:

Code	Total Width	Total Depth	Surface Width	Surface Depth	Lazy Susan
FLEX2	26"	48.75"	26"	24"	12"
FLEX4T	52.75"	48.75"	26"	24"	14"
FLEX4X	49.75"	48.75"	24.5"	24.5"	14"

Options

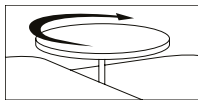
Straight Front



ST

\$0

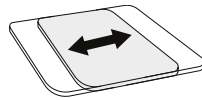
Lazy Susan



PC

Price on request

Sliding Action



AP

Price on request

Prices

FLEX2 - 2 adjustable tops with rounded corners

Code	LFL	hpl
FLEX2	Price on request	

FLEX4T - 4 adjustable tops with rounded corners

Code	LFL	hpl
FLEX4T	Price on request	

FLEX4X - 4 adjustable tops with rounded corners

Code	LFL	hpl
FLEX4X	Price on request	

How to Order

LFL	FLEX2 FLEX4T FLEX4X	BL SN (std)	ST	PC	AP
series	code	metal finish	straight front	lazy susan	sliding action

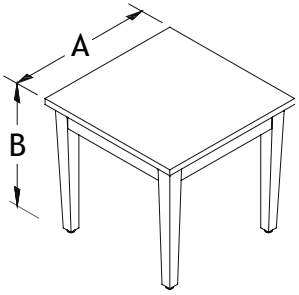
Example

LFL	FLEX2	SN			
-----	-------	----	--	--	--

Tables

Occasional Tables

TCWL



Manufacturing Standards

- Square surface;
- Wooden apron and 2-1/4" x 2-1/4" tapered legs.

Wood finishes: Available colors: White Wash **WW**, Golden Wheat **GW**, Sand **SD**, Apricot **AT**, Pecan **PN**, Brandy **BR**, Chestnut **CT**, Coffee **CF**, Espresso **ES**, Bordeaux **BO**, Black Wash **BW** and Bark **BK**.

Prices

TCWL - Side table

Dimensions	LFW	LFWL
A B	tfl	hpl
2022	569	673
2422	588	720

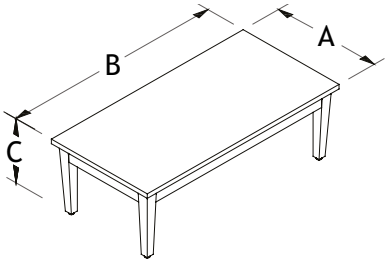
How to Order

LFW	A	TC	WL	B	Finishes See the Logiflex Color Guide
series	dimensions	top	legs	height	leg color
Example LFW	20	TC	WL	22	BK

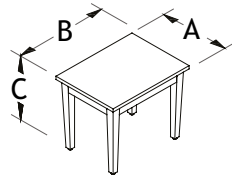
Tables

Occasional Tables

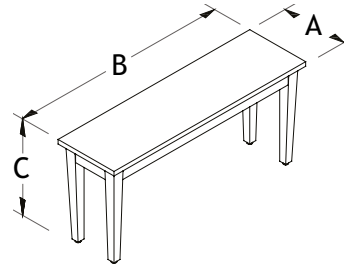
TWL 16



TWL 22



TWL 30



Manufacturing Standards

- Rectangular surface;
- Wooden apron and 2-1/4" x 2-1/4" tapered legs.

Wood finishes: Available colors: White Wash **WW**, Golden Wheat **GW**, Sand **SD**, Apricot **AT**, Pecan **PN**, Brandy **BR**, Chestnut **CT**, Coffee **CF**, Espresso **ES**, Bordeaux **BO**, Black Wash **BW** and Bark **BK**.

Prices

TWL16 - Coffee table

Dimensions	LFW	LFWL
A B C	tfl	hpl
243616	612	796
244816	651	884

TWL22 - Side table

Dimensions	LFW	LFWL
A B C	tfl	hpl
162022	561	642
202422	576	687

TWL30 - Sofa table

Dimensions	LFW	LFWL
A B C	tfl	hpl
143630	629	747
144830	663	811
146030	686	860

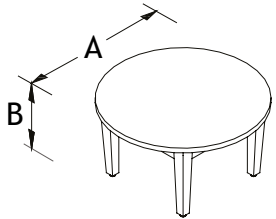
How to Order

LFW	AB	T	WL	C	Finishes See the Logiflex Color Guide
series	dimensions	top	legs	height	leg color
Example LFW	2436	T	WL	16	BK

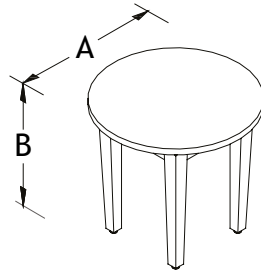
Tables

Occasional Tables

TRWL 16



TRWL 22



Manufacturing Standards

- Circular surface;
- Wooden apron and 2-1/4" x 2-1/4" tapered legs.

Wood finishes: Available colors: White Wash **WW**, Golden Wheat **GW**, Sand **SD**, Apricot **AT**, Pecan **PN**, Brandy **BR**, Chestnut **CT**, Coffee **CF**, Espresso **ES**, Bordeaux **BO**, Black Wash **BW** and Bark **BK**.

Prices

TRWL16 - Coffee table

Dimensions	LFW	LFWL
A B	tfl	hpl
2416	663	794
3016	710	898
3616	747	1000

TRWL22 - Side table

Dimensions	LFW	LFWL
A B	tfl	hpl
2422	692	823

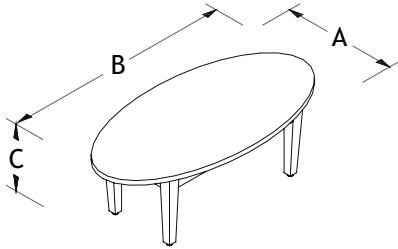
How to Order

LFW	A	TR	WL	B	Finishes See the Logiflex Color Guide
LFWL					
series	dimensions	top	legs	height	leg color
Example LFW	24	TR	WL	16	BK

Tables

Occasional Tables

ELWL 16



Manufacturing Standards

- Elliptical surface;
- Wooden apron and 2-1/4" x 2-1/4" tapered legs.

Wood finishes: Available colors: White Wash **WW**, Golden Wheat **GW**, Sand **SD**, Apricot **AT**, Pecan **PN**, Brandy **BR**, Chestnut **CT**, Coffee **CF**, Espresso **ES**, Bordeaux **BO**, Black Wash **BW** and Bark **BK**.

Prices

ELWL16 - Coffee table				
Dimensions		LFW	LFWL	
A	B	tfl	hpl	
243	616	708	889	
244	816	748	980	

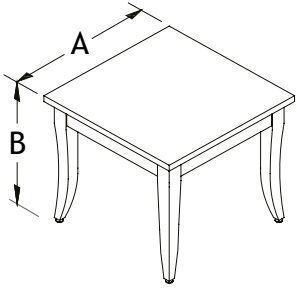
How to Order

LFW	AB	EL	WL	C	Finishes <i>See the Logiflex Color Guide</i>
series	dimensions	top	legs	height	leg color
Example LFW	2436	EL	WL	16	BK

Tables

Occasional Tables

TCWLG



Manufacturing Standards

- Square surface;
- Wooden apron and 2-1/4" x 2-1/4" curved legs.

Wood finishes: Available colors: White Wash **WW**, Golden Wheat **GW**, Sand **SD**, Apricot **AT**, Pecan **PN**, Brandy **BR**, Chestnut **CT**, Coffee **CF**, Espresso **ES**, Bordeaux **BO**, Black Wash **BW** and Bark **BK**.

Prices

TCWLG - Side table

Dimensions	LFW	LFWL
A B	tfl	hpl
2022	654	754
2422	673	801

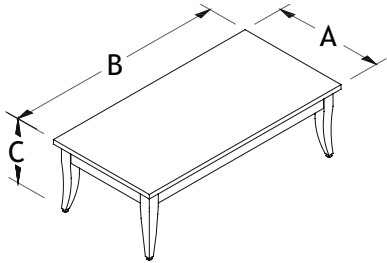
How to Order

LFW	A	TC	WLG	B	Finishes See the Logiflex Color Guide
LFWL					
series	dimensions	top	legs	height	leg color
Example LFW	20	TC	WLG	22	BK

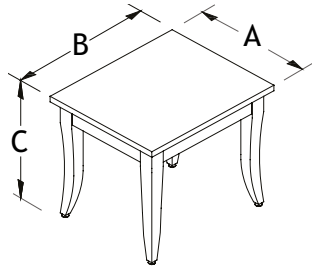
Tables

Occasional Tables

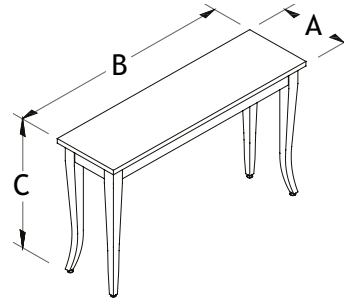
TWLG 16



TWLG 22



TWLG 30



Manufacturing Standards

- Rectangular surface;
- Wooden apron and 2-1/4" x 2-1/4" curved legs.

Wood finishes: Available colors: White Wash **WW**, Golden Wheat **GW**, Sand **SD**, Apricot **AT**, Pecan **PN**, Brandy **BR**, Chestnut **CT**, Coffee **CF**, Espresso **ES**, Bordeaux **BO**, Black Wash **BW** and Bark **BK**.

Prices

TWLG16 - Coffee table

Dimensions	LFW	LFWL
A B C	tfl	hpl
243616	660	838
244816	700	928

TWLG22 - Side table

Dimensions	LFW	LFWL
A B C	tfl	hpl
162022	645	733
202422	663	776

TWLG30 - Sofa table

Dimensions	LFW	LFWL
A B C	tfl	hpl
143630	749	873
144830	779	932
146030	806	988

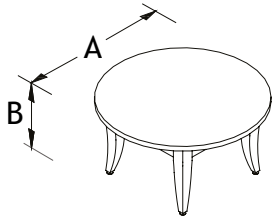
How to Order

LFW	AB	T	WLG	C	Finishes See the Logiflex Color Guide
series	dimensions	top	legs	height	leg color
Example LFW	2436	T	WLG	16	BK

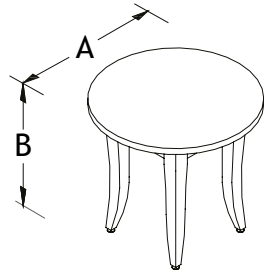
Tables

Occasional Tables

TRWLG 16



TRWLG 22



Manufacturing Standards

- Circular surface;
- Wooden apron and 2-1/4" x 2-1/4" curved legs.

Wood finishes: Available colors: White Wash **WW**, Golden Wheat **GW**, Sand **SD**, Apricot **AT**, Pecan **PN**, Brandy **BR**, Chestnut **CT**, Coffee **CF**, Espresso **ES**, Bordeaux **BO**, Black Wash **BW** and Bark **BK**.

Prices

TRWLG16 - Coffee table

Dimensions	LFW	LFWL
A B	tfl	hpl
2416	710	842
3016	758	949
3616	795	1050

TRWLG22 - Side table

Dimensions	LFW	LFWL
A B	tfl	hpl
2422	769	904

How to Order

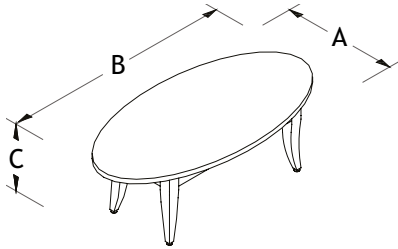
LFW	A	TR	WLG	B	Finishes See the Logiflex Color Guide
LFWL					
series	dimensions	top	legs	height	leg color

Example LFW 24 TR WLG 16 BK

Tables

Occasional Tables

ELWLG 16



Manufacturing Standards

- Elliptical surface;
- Wooden apron and 2-1/4" x 2-1/4" curved legs.

Wood finishes: Available colors: White Wash **WW**, Golden Wheat **GW**, Sand **SD**, Apricot **AT**, Pecan **PN**, Brandy **BR**, Chestnut **CT**, Coffee **CF**, Espresso **ES**, Bordeaux **BO**, Black Wash **BW** and Bark **BK**.

Prices

ELWLG16 - Coffee table

Dimensions	LFW	LFWL
A B C	tfl	hpl
243616	757	940
244816	797	1031

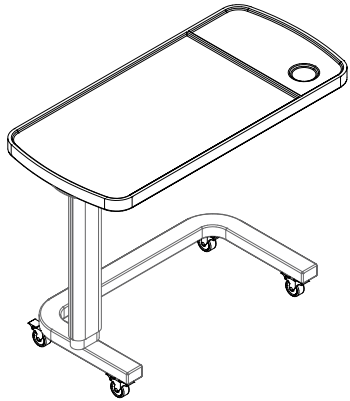
How to Order

LFW	LFWL	AB	EL	WLG	C	Finishes See the Logiflex Color Guide
series	dimensions	top	legs	height	leg color	
Example LFW	2436	EL	WLG	16	BK	

Tables

Overbed Table

LF OBT



Manufacturing Standards

- ABS plastic surface;
- 11" adjustment surface can be positioned from 27-7/8"H to 38-7/8"H;
- White base with robust steel structure;
- C-base with swivel casters, 2 with locking casters;
- 100 lbs weight capacity.
- Top dimensions: 35 1/2" x 17 3/4".

Prices

Code	
OBT	992

How to Order

LF	OBT
series	code

Example **LF** **OBT**

Seating



Seating



Hosta
Wooden Seats

Manufacturing Standards: Hosta Series

Construction | Armchairs*



The structural seat frame is made of welded steel for an increased strength and durability. Its assembly allows 3 levels of adjustments in height and 2 in deepness while the metal to metal connections allows individual components to be replaced without having to replace the entire chair.

*Feature not available for the general purpose chair.

Easy Cleaning



All Logilife chairs feature a vinyl moisture barrier with aerators that covers the underside of the seat. All models are also designed with a clearance space between the back and the cushion, facilitating maintenance and cleaning.

Wall Saver



Logilife chairs are specifically designed to prevent premature wear and damages by avoiding contacts between the back, the armrests and the surrounding walls.

Safe and Easy Ingress and Egress



The wooden frame is assembled with mortise and tenon construction for optimal strength. Logilife chairs are designed with molded backs and spring seat construction for optimal comfort and ergonomic support. Chair backs and seats utilize multi-density foam and legs are equipped with non-marking glides.

Frame | Armchairs

The wooden frame is assembled with mortise and tenon construction for optimal strength. Logilife chairs are designed with molded backs and spring seat construction for optimal comfort and ergonomic support. Chair backs and seats utilize multi-density foam and legs are equipped with non-marking glides.

Weight Capacity | Bariatric Armchairs

Bariatric armchairs have a weight capacity of 750lbs.

California Technical Bulletin 117

The Celcor foam used meets or exceeds the California Technical Bulletin 117 norms.

Limited Lifetime Warranty

All Logilife furniture manufactured after August 1, 2012 is provided with a limited lifetime warranty.

Woodgrains

5 wood grain colors are offered in the Logilife Series:

- **BC** - Brown Cherry
- **CC** - Classic Chocolate
- **DR** - Driftwood
- **EC** - Classic Maple
- **TO** - Tobacco
- **W** - Polar White

Upholstery Specification

Logiflex offers its customers several methods of specifying the fabrics from different suppliers. Terms and conditions for approval and order are listed on [p. 10](#). It is also possible to combine more than one fabric for the same seat, at no additional cost. The price of the seat will be determined according to the highest grade of fabric.

Customized Products

The models presented here are suggestions: they can all be customized to meet individual requirements. In addition to designing and manufacturing entirely customized furniture, Logiflex offers to simply modifying the dimensions of the models presented or to use non-standard colors.

Options

CAL 133

Logilife seats may receive a non-flammable lining compliant with California Technical Bulletin 133. Please take note the non-flammable lining does not alone ensure the product certification. Consult [p. 10](#) for more information.

Polyurethane Arm Cap



The optional arm cap increases durability for the armrests. It is replaceable if it becomes damaged.

Removable Head Cover

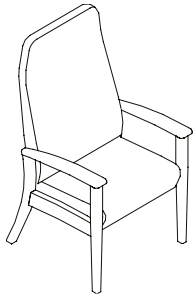


A removable slipcover for head area is available in order to reduce excessive wear of the back and facilitate cleaning.

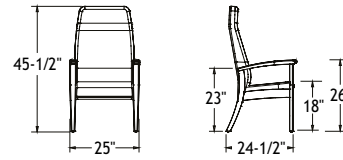
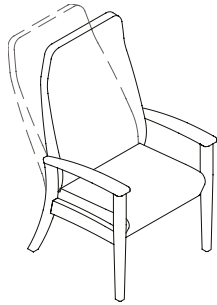
Seating

Hosta - Patient Armchairs

LFH RES

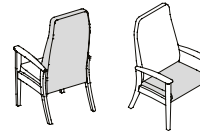


LFH RESR



Side view

Combination of Colors



Backrest

Manufacturing Standards

- **RES:** fixed molded high back;
- **RESR:** reclining molded high back;
- Seat with springs;
- Wooden frame and armrests.

Wood finishes: Available colors: White Wash **WW**, Golden Wheat **GW**, Sand **SD**, Apricot **AT**, Pecan **PN**, Brandy **BR**, Chestnut **CT**, Coffee **CF**, Espresso **ES**, Bordeaux **BO**, Black Wash **BW** and Bark **BK**.

Combination of fabrics: For two-tone upholstery, please use the higher grade pricing.

COM Fabric:

Fabric combination possible. Number of yards required:

Code	Total	Backrest	Seat	Head Cover
RES	2.75	1.25	1	0.5
RESR	2.75	1.25	1	0.5

CAL 133: Application of a non-flammable lining compliant with California Technical Bulletin 133 | See p. 10. (The non-flammable lining does not alone ensure the product certification).

Options

Polyurethane armrests



UR
\$114

Slip-on Head Cover



HT

GRA	GR1	GR2	GR3	GR4	GR5	GR6
\$65	\$73	\$84	\$95	\$109	\$123	\$136
GR7	GR8	GR9	GR10	GR11	GR12	Leather
\$150	\$164	\$178	\$191	\$219	\$246	\$223

Prices

RES - Patient armchair fixed high back

Code	GRA	GR1	COM GR2	GR3	GR4	GR5	GR6	GR7	GR8	GR9	GR10	GR11	GR12	Cuir Leather
RES	1279	1324	1385	1445	1521	1596	1672	1748	1823	1899	1974	2126	2277	2151

RESR - Patient armchair reclining high back

Code	GRA	GR1	COM GR2	GR3	GR4	GR5	GR6	GR7	GR8	GR9	GR10	GR11	GR12	Cuir Leather
RESR	1475	1520	1581	1641	1717	1792	1868	1944	2019	2095	2170	2322	2473	2347

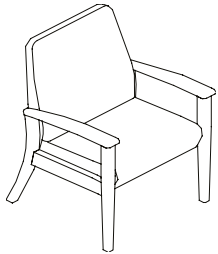
How to Order

	RES RESR	UR	HT	Finishes See the Logiflex Color Guide	Fabric See the Logiflex Graded-in List				
LFH									
series	code	arm cap	slip cover	leg color	supplier	pattern	color	grade	
Example	LFH	RES	UR	HT	BK	Momentum	Ace	Carbon	GR2

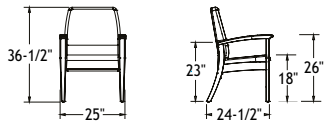
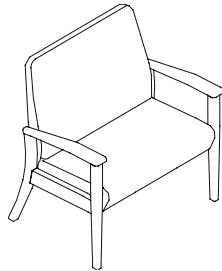
Seating

Hosta - Guest and Bariatric Armchairs

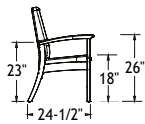
LFH VIS1



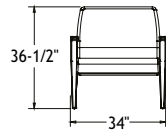
LFH BAR



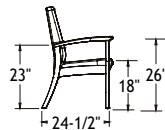
Front view



Side view

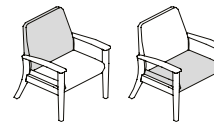


Front view



Side view

Combination of Colors



Backrest

Seat

Manufacturing Standards

- Molded middle back;
- Seat with springs;
- Wooden frame and armrests.

Weight capacity (BAR): 750lbs

Wood finishes: Available colors: White Wash **WW**, Golden Wheat **GW**, Sand **SD**, Apricot **AT**, Pecan **PN**, Brandy **BR**, Chestnut **CT**, Coffee **CF**, Espresso **ES**, Bordeaux **BO**, Black Wash **BW** and Bark **BK**.

Combination of fabrics: For two-tone upholstery, please use the higher grade pricing.

COM Fabric:

Fabric combination possible. Number of yards required:

Code	Total	Backrest	Seat
VIS1	2	1	1
BAR	2.75	1.75	1

CAL 133: Application of a non-flammable lining compliant with California Technical Bulletin 133 | See p. 10. (The non-flammable lining does not alone ensure the product certification).

Options

Polyurethane armrests



UR

\$114

Prices

VIS1 - Guest armchair

Code	GRA	GR1	COM GR2	GR3	GR4	GR5	GR6	GR7	GR8	GR9	GR10	GR11	GR12	Cuir Leather
VIS1	1220	1253	1297	1341	1396	1451	1506	1561	1616	1671	1726	1836	1946	1854

BAR - Bariatric armchair

Code	GRA	GR1	COM GR2	GR3	GR4	GR5	GR6	GR7	GR8	GR9	GR10	GR11	GR12	Cuir Leather
BAR	1428	1473	1534	1594	1670	1745	1821	1897	1972	2048	2123	2275	2426	2300

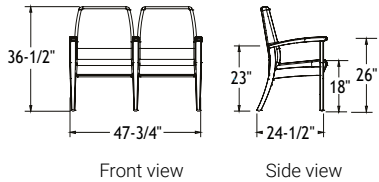
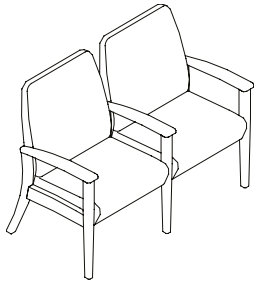
How to Order

	VIS1 BAR	UR	Finishes See the Logiflex Color Guide	Fabric See the Logiflex Graded-in List				
LFH								
series	code	arm cap	leg color	supplier	pattern	color	grade	
Example	LFH	VIS1	UR	BK	Momentum	Ace	Carbon	GR2

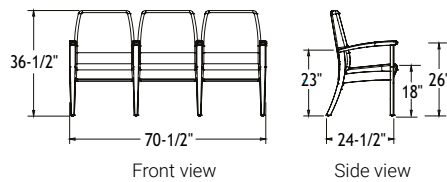
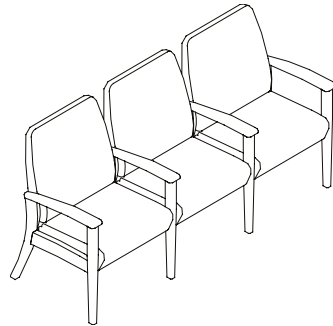
Seating

Hosta - Tandem Seating

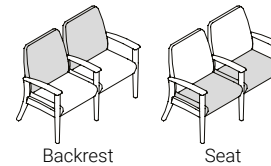
LFH VIS2A



LFH VIS3A



Combination of Colors



Manufacturing Standards

- Molded middle back;
- Seat with springs;
- Wooden frame and armrests.

Wood finishes: Available colors: White Wash **WW**, Golden Wheat **GW**, Sand **SD**, Apricot **AT**, Pecan **PN**, Brandy **BR**, Chestnut **CT**, Coffee **CF**, Espresso **ES**, Bordeaux **BO**, Black Wash **BW** and Bark **BK**.

Combination of fabrics: For two-tone upholstery, please use the higher grade pricing.

COM Fabric:

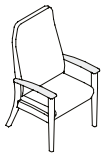
Fabric combination possible. Number of yards required:

Code	Total	Backrest	Seat
VIS2A	4	2	2
VIS3A	6	3	3

CAL 133: Application of a non-flammable lining compliant with California Technical Bulletin 133 | See p. 10. (The non-flammable lining does not alone ensure the product certification).

Options

Polyurethane armrests



UR
\$114

Prices

VIS2A - 2 seater

Code	GRA	GR1	COM GR2	GR3	GR4	GR5	GR6	GR7	GR8	GR9	GR10	GR11	GR12	Cuir Leather
VIS2A	2208	2274	2362	2450	2560	2670	2780	2890	3000	3110	3220	3440	3660	3477

VIS3A - 3 seater

Code	GRA	GR1	COM GR2	GR3	GR4	GR5	GR6	GR7	GR8	GR9	GR10	GR11	GR12	Cuir Leather
VIS3A	3188	3287	3419	3551	3716	3881	4046	4211	4376	4541	4706	5036	5366	5091

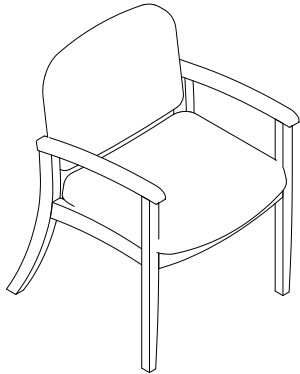
How to Order

	VIS2A VIS3A	UR	Finishes See the Logiflex Color Guide	Fabric See the Logiflex Graded-in List				
LFH								
series	code	arm cap	leg color	supplier	pattern	color	grade	
Example	LFH	VIS2A	UR	BK	Momentum	Ace	Carbon	GR2

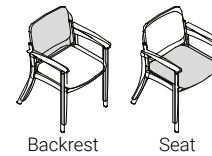
Seating

Hosta - General Purpose Chairs

LFH SAM



Combination of Colors



Manufacturing Standards

- Low molded backrest;
- Molded seat;
- Wooden frame and armrests.

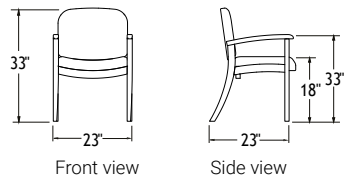
Combination of fabrics: For two-tone upholstery, please use the higher grade pricing.

COM Fabric:

Fabric combination possible. Number of yards required:

Code	Total	Backrest	Seat
SAM	2	1	1

Wood finishes: Available colors: White Wash **WW**, Golden Wheat **GW**, Sand **SD**, Apricot **AT**, Pecan **PN**, Brandy **BR**, Chestnut **CT**, Coffee **CF**, Espresso **ES**, Bordeaux **BO**, Black Wash **BW** and Bark **BK**.



Prices

Code	GRA	GR1	COM GR2	GR3	GR4	GR5	GR6	GR7	GR8	GR9	GR10	GR11	GR12	Cuir Leather
SAM	818	835	857	879	907	934	962	989	1017	1044	1072	1127	1182	1136

How to Order

Fabric
[See the Logiflex Graded-in List](#)

LFH	SAM				
serie	code	supplier	pattern	color	grade

Example

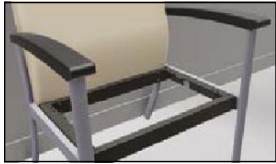
LFH	SAM	ENNIS	LOFT	AQUA	GR1
-----	-----	-------	------	------	-----



Mika
Metal Armchairs

Manufacturing Standards: Mika Series

Construction | Armchairs*



The structural seat frame is made of welded steel for an increased strength and durability. Its assembly allows 3 levels of adjustments in height and 2 in deepness while the metal to metal connections allows individual components to be replaced without having to replace the entire chair.

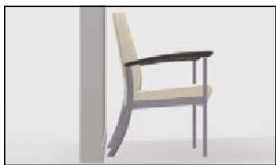
*Feature not available for the general purpose chair.

Easy Cleaning



All Logilife chairs feature a vinyl moisture barrier with aerators that covers the underside of the seat. All models are also designed with a clearance space between the back and the cushion, facilitating maintenance and cleaning.

Wall Saver



Logilife chairs are specifically designed to prevent premature wear and damages by avoiding contacts between the back, the armrests and the surrounding walls.

Safe and Easy Ingress and Egress



The extended and rounded polyurethane armrests of Mika seats give the user optimal support for safe and easy ingress and egress.

Frame | Armchairs

The metal frame is in Satin Nickel welded steel. Logilife chairs are designed with molded backs and spring seat construction for optimal comfort and ergonomic support. Chair backs and seats utilize multi-density foam and legs are equipped with non-marking glides.

Weight Capacity | Bariatric Armchairs

Bariatric armchairs have a weight capacity of 750lbs.

California Technical Bulletin 117

The Celcor foam used meets or exceeds the California Technical Bulletin 117 norms.

Limited Lifetime Warranty

All Logilife furniture manufactured after August 1, 2012 is provided with a limited lifetime warranty.

Metal Finish

Metal finish for all Mika seats is Satin Nickel (SN)

Upholstery Specification

Please see section A-4 for upholstery specification.

Upholstery Specification

Logiflex offers its customers several methods of specifying the fabrics from different suppliers. Terms and conditions for approval and order are listed on [p. 10](#). It is also possible to combine more than one fabric for the same seat, at no additional cost. The price of the seat will be determined according to the highest grade of fabric.

Customized Products

The models presented here are suggestions: they can all be customized to meet individual requirements. In addition to designing and manufacturing entirely customized furniture, Logiflex offers to simply modifying the dimensions of the models presented or to use non-standard colors.

Options

CAL 133

Logilife seats may receive a non-flammable lining compliant with California Technical Bulletin 133. Please take note the non-flammable lining does not alone ensure the product certification. Consult [p. 10](#) for more information.

Removable Head Cover

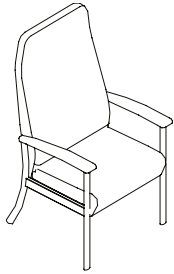


A removable slipcover for head area is available in order to reduce excessive wear of the back and facilitate cleaning.

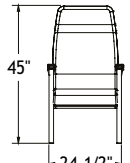
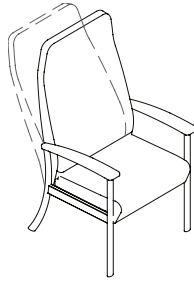
Seating

Mika - Patient Armchairs

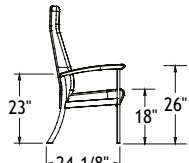
LFK RES



LFK RESR

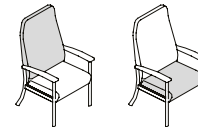


Front view



Side view

Combination of Colors



Backrset

Seat

Manufacturing Standards

- **RES:** fixed molded high back;
- **RESR:** reclining molded high back (Angle of incline $\pm 23^\circ$);
- Seat with springs;
- Metal frame and polyurethane armrests;
- White nylon levelers on front legs.

Combination of fabrics: For two-tone upholstery, please use the higher grade pricing.

COM Fabric:

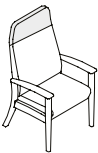
Fabric combination possible. Number of yards required:

Code	Total	Backrest	Seat	Head Cover
RES	2.75	1.25	1	0.5
RESR	2.75	1.25	1	0.5

CAL 133: Application of a non-flammable lining compliant with California Technical Bulletin 133 | See p. 10. (The non-flammable lining does not alone ensure the product certification).

Options

Slip-on Head Cover



HT

GRA	GR1	GR2	GR3	GR4	GR5	GR6
\$65	\$73	\$84	\$95	\$109	\$123	\$136
GR7	GR8	GR9	GR10	GR11	GR12	Leather
\$150	\$164	\$178	\$191	\$219	\$246	\$223

Prices

RES

Code	GRA	GR1	COM GR2	GR3	GR4	GR5	GR6	GR7	GR8	GR9	GR10	GR11	GR12	Cuir Leather
RES	1622	1667	1728	1788	1864	1939	2015	2091	2166	2242	2317	2469	2620	2494

RESR

Code	GRA	GR1	COM GR2	GR3	GR4	GR5	GR6	GR7	GR8	GR9	GR10	GR11	GR12	Cuir Leather
RESR	1806	1851	1912	1972	2048	2123	2199	2275	2350	2426	2501	2653	2804	2678

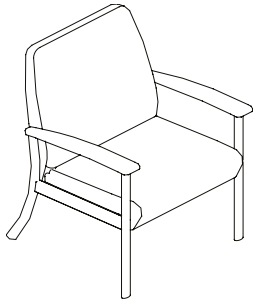
How to Order

	RES RESR	HT	Fabric <i>See the Logiflex Graded-in List</i>				
LFK							
series	code	slip cover	supplier	pattern	color	grade	
Example	LFK	RES	HT	Momentum	Ace	Carbon	GR2

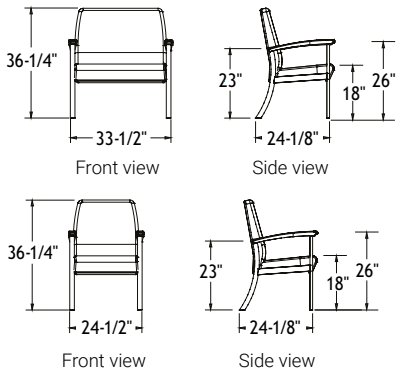
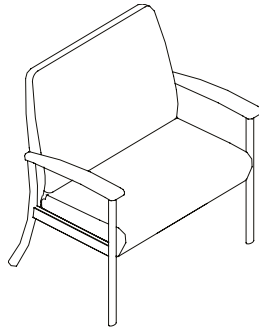
Seating

Mika - Guest and Bariatric Armchairs

LFK VIS1



LFK BAR



Manufacturing Standards

- Molded middle back;
- Seat with springs;
- Metal frame and polyurethane armrests;
- White nylon levelers on front legs.

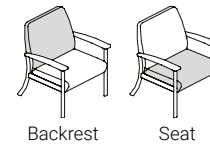
Combination of fabrics: For two-tone upholstery, please use the higher grade pricing.

COM Fabric:

Fabric combination possible. Number of yards required:

Code	Total	Backrest	Seat
VIS1	2	1	1
BAR	2.75	1.75	1

Combination of Colors



Backrest Seat

CAL 133: Application of a non-flammable lining compliant with California Technical Bulletin 133 | See p. 10. (The non-flammable lining does not alone ensure the product certification).

Prices

VIS1

Code	GRA	GR1	COM GR2	GR3	GR4	GR5	GR6	GR7	GR8	GR9	GR10	GR11	GR12	Cuir Leather
VIS1	1565	1598	1642	1686	1741	1796	1851	1906	1961	2016	2071	2181	2291	2199

BAR

Code	GRA	GR1	COM GR2	GR3	GR4	GR5	GR6	GR7	GR8	GR9	GR10	GR11	GR12	Cuir Leather
BAR	1762	1807	1868	1928	2004	2079	2155	2231	2306	2382	2457	2609	2760	2634

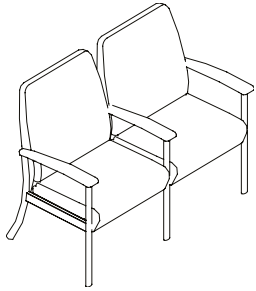
How to Order

LFK	VIS1 BAR	Fabric <i>See the Logiflex Graded-in List</i>			
series	code	supplier	pattern	color	grade
Example LFK	VIS1	Momentum	Ace	Carbon	GR2

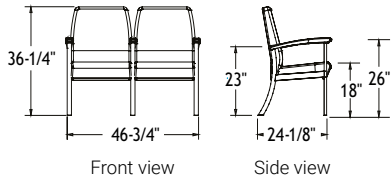
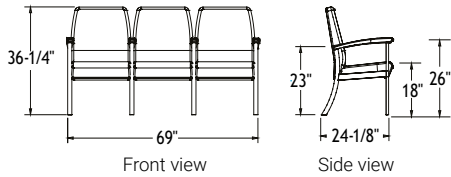
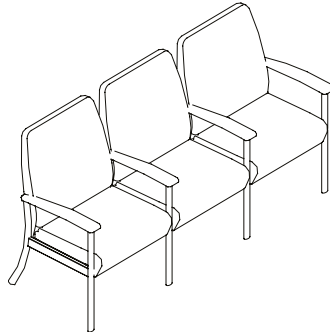
Seating

Mika - Tandem Seating

LFK VIS2A



LFK VIS3A



Manufacturing Standards

- Molded middle back;
- Seat with springs;
- Metal frame and polyurethane armrests;
- White nylon levelers on front legs.

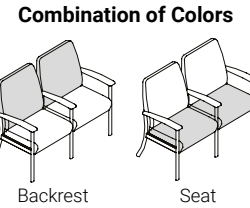
Combination of fabrics: For two-tone upholstery, please use the higher grade pricing.

COM Fabric:

Fabric combination possible. Number of yards required:

Code	Total	Backrest	Seat
VIS2A	4	2	2
VIS3A	6	3	3

CAL 133: Application of a non-flammable lining compliant with California Technical Bulletin 133 | See p. 10. (The non-flammable lining does not alone ensure the product certification).



Backrest

Seat

Prices

VIS2A - 2 seater

Code	GRA	GR1	COM GR2	GR3	GR4	GR5	GR6	GR7	GR8	GR9	GR10	GR11	GR12	Cuir Leather
VIS2A	2630	2696	2784	2872	2982	3092	3202	3312	3422	3532	3642	3862	4082	3899

VIS3A - 3 seater

Code	GRA	GR1	COM GR2	GR3	GR4	GR5	GR6	GR7	GR8	GR9	GR10	GR11	GR12	Cuir Leather
VIS3A	3687	3786	3918	4050	4215	4380	4545	4710	4875	5040	5205	5535	5865	5590

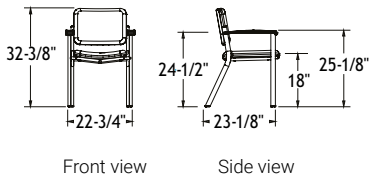
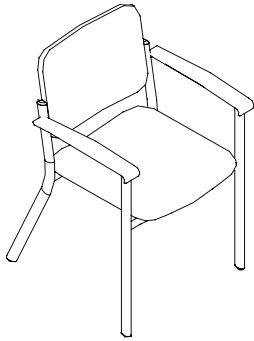
How to Order

LFK	VIS2A VIS3A	Fabric <i>See the Logiflex Graded-in List</i>			
series	code	supplier	pattern	color	grade
Example LFK	VIS2A	Momentum	Ace	Carbon	GR2

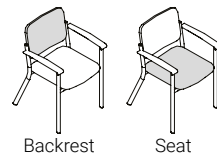
Seating

Mika - General Purpose Chairs

LFK SAM



Combination of Colors



Manufacturing Standards

- Molded middle back;
- Seat with springs;
- Metal frame and polyurethane armrests.

Combination of fabrics: For two-tone upholstery, please use the higher grade pricing.

COM Fabric:

Fabric combination possible. Number of yards required:

Code	Total	Backrest	Seat
SAM	2	1	1

CAL 133: Application of a non-flammable lining compliant with California Technical Bulletin 133 | See p. 10. (The non-flammable lining does not alone ensure the product certification).

Prices

Code	GRA	GR1	COM GR2	GR3	GR4	GR5	GR6	GR7	GR8	GR9	GR10	GR11	GR12	Cuir Leather
SAM	668	685	707	729	757	784	812	839	867	894	922	977	1032	986

How to Order

Fabric
See the Logiflex Graded-in List

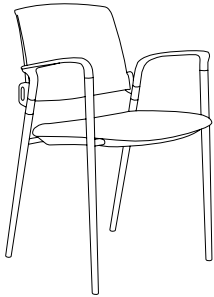
LFK	SAM	supplier	pattern	color	grade
series	code				

Example LFK SAM Momentum Ace Carbon GR2

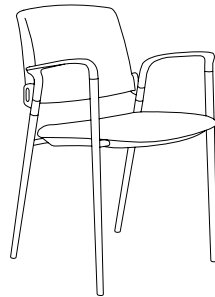
Seating

Stack6 - Visitor chair

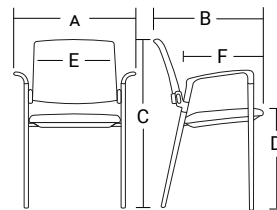
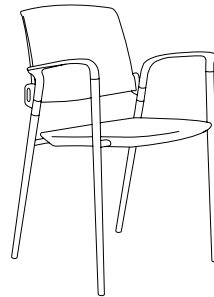
S6 - UP



S6 - UU



S6 - PP



A Chair width	23,5"
B Chair depth	21,5"
C Chair height	31,5"
D Seat height	17,5"
E Backrest width	17"
F Seat depth	17,5"

Manufacturing Standards

Stack6 chair:

- 3 types of chairs:
 - UP: Plastic backrest, padded seat
 - UU: Backrest and padded seats
 - PP: Backrest and seat in plastic
- Seat with cascading edge;
- Black metal base (BL) with chrome details and black polyurethane armrests;
- Non-marking glides;
- Stackable up to 6;
- Weight and volume (for 3 chairs): 45 lbs / 16 ft³;

Plastic finishes: Black (01) or Charcoal (10)

Fabric finishes: Selection of fabrics or vinyl by the customer from the supplier of their choice.

Number of yards for COM fabric:

Code	Total
UP	0,9
UU	0,9

Prices

S6

Code	COM												Cuir Leather	
	GRA	GR1	GR2	GR3	GR4	GR5	GR6	GR7	GR8	GR9	GR10	GR11		GR12
UP	452	466	485	503	527	550	574	597	620	644	667	714	761	703
UU	533	552	577	602	633	665	696	727	758	789	820	883	945	875

S6 - Plastic

Code	
PP	365

How to Order

Combination of Colors

LC	-	S6	-	PP UP UU	-	04	-	FX	-	G	-	N	-	01 10	-			
series		code		structure		base		arms		legs		metal finish		plastic finish		supplier	pattern	color

Fabric
[See the Logiflex Graded-in List](#)

Example	LC	-	S6	-	UU	-	04	-	FX	-	G	-	N	-	10	-	ENNIS	LOFT	AQUA
----------------	----	---	----	---	----	---	----	---	----	---	---	---	---	---	----	---	-------	------	------



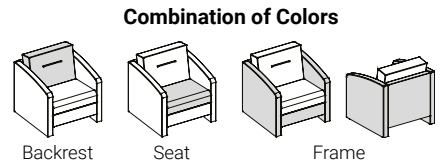
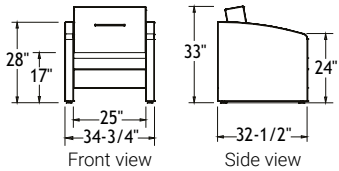
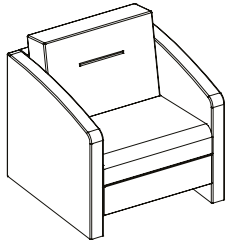
Lounge Seating

Lodging Furniture

Seating

Dean Armchair

DEA1



Manufacturing Standards

- Springs for the seat and back;
- Single top stitching;
- Medium-density foam;
- Frame made out of recycled and recyclable particles.

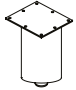
Option: Set of 4 metal oval legs in satin nickel finish, OVAMSN.

Number of yards for COM fabric:

Code	Total	Backrest	Seat	Frame	Armrests
DEA1	5,75	1,25	1	2,25	3,75

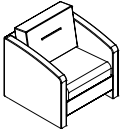
Options

Legs



\$0

Cleaning space



\$155

Prices

Code	GRA	GR1	COM GR2	GR3	GR4	GR5	GR6	GR7	GR8	GR9	GR10	GR11	GR12	Cuir Leather
DEA1	1570	1665	1792	1918	2076	2234	2392	2551	2709	2867	3025	3341	3657	3394

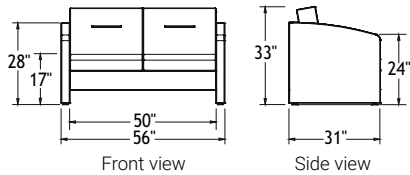
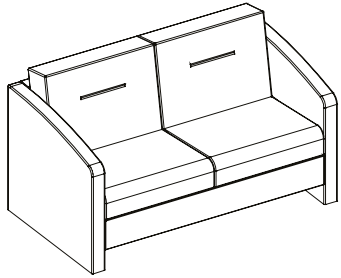
How to Order

		OVAMSN		Fabric			
		SPEC		See the Logiflex Graded-in List			
SS	DEA1						
serie	code	legs	clearing space	supplier	pattern	color	
Example	SS	DEA1	OVAMSN	SPEC	ENNIS	LOFT	AQUA

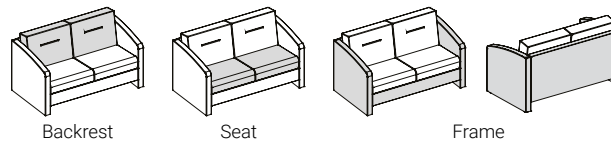
Seating

Dean Loveseat

DEA2



Combination of Colors



Manufacturing Standards

- Springs for the seat and back;
- Single top stitching;
- Medium-density foam;
- Frame made out of recycled and recyclable particles.

Option: Set of 4 metal oval legs in satin nickel finish, OVAMSN.

Number of yards for COM fabric:

Code	Total	Backrest	Seat	Frame	Armrests
DEA2	7.75	2.5	1.75	4.25	3.75

Options

Legs



\$0

Prices

Code	GRA	GR1	COM GR2	GR3	GR4	GR5	GR6	GR7	GR8	GR9	GR10	GR11	GR12	Cuir Leather
DEA2	2246	2374	2545	2715	2928	3141	3354	3568	3781	3994	4207	4633	5059	4704

How to Order



Fabric

[See the Logiflex Graded-in List](#)

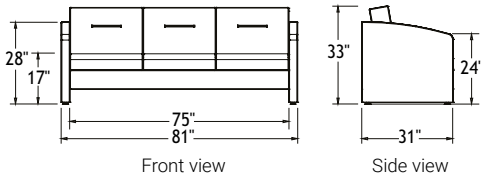
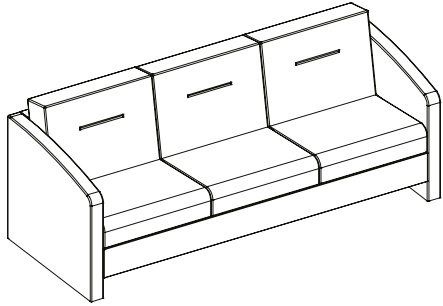
SS	DEA2	OVAMSN			
serie	code	legs	supplier	pattern	color

Example SS DEA2 OVAMSN ENNIS LOFT AQUA

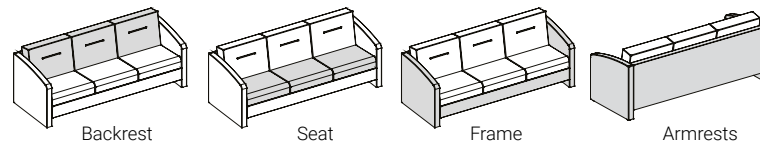
Seating

Dean Sofa

DEA3



Combination of Colors



Manufacturing Standards

- Springs for the seat and back;
- Single top stitching;
- Medium-density foam;
- Frame made out of recycled and recyclable particles.

Option: Set of 4 metal oval legs in satin nickel finish, OVAMSN.

Number of yards for COM fabric:

Code	Total	Backrest	Seat	Frame	Armrests
DEA3	10,5	3,5	2,75	6,25	4,25

Options

Legs



\$0

Prices

Code	GRA	GR1	COM GR2	GR3	GR4	GR5	GR6	GR7	GR8	GR9	GR10	GR11	GR12	Cuir Leather
DEA3	3015	3188	3419	3650	3939	4228	4516	4805	5094	5383	5671	6249	6826	6345

How to Order



Fabric

[See the Logiflex Graded-in List](#)

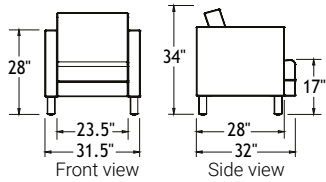
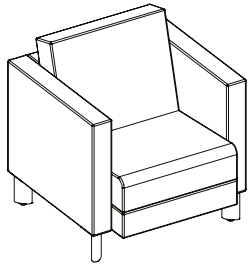
SS	DEA3	OVAMSN			
serie	code	legs	supplier	pattern	color

Example SS DEA3 OVAMSN ENNIS LOFT AQUA

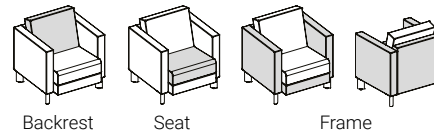
Seating

Taylor Armchair

TAY1



Combination of Colors



Manufacturing Standards

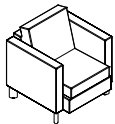
- Elastic straps on seat;
- Medium-density foam;
- Frame made out of recycled and recyclable particles;
- Oval metal legs 6" H, satin nickel finish.

Number of yards for COM fabric:

Code	Total	Backrest	Seat	Frame	Armrests
TAY1	4	1	1	1,25	2,25

Options

Cleaning space



\$155

Prices

Code	GRA	GR1	COM GR2	GR3	GR4	GR5	GR6	GR7	GR8	GR9	GR10	GR11	GR12	Cuir Leather
TAY1	1213	1279	1367	1455	1565	1675	1785	1895	2005	2115	2225	2445	2665	2482

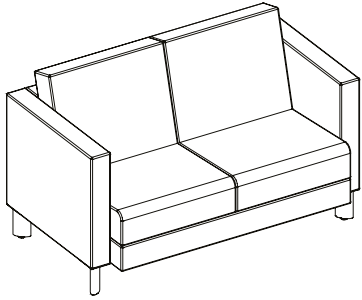
How to Order

		+		Fabric		
		SPEC		See the Logiflex Graded-in List		
SS	TAY1					
serie	code	cleaning space	supplier	pattern	color	
Example	SS	TAY1	SPEC	ENNIS	LOFT	AQUA

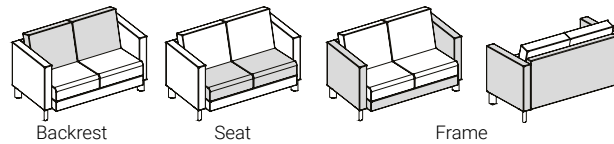
Seating

Taylor Loveseat

TAY2



Combination of Colors

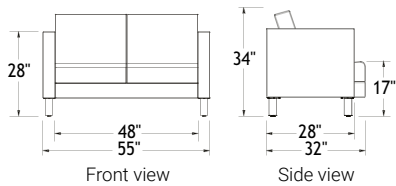


Manufacturing Standards

- Elastic straps on seat;
- Medium-density foam;
- Frame made out of recycled and recyclable particles;
- Oval metal legs 6" H, satin nickel finish.

Number of yards for COM fabric:

Code	Total	Backrest	Seat	Frame	Armrests
TAY2	5,5	1,5	1,5	2,75	2,25



Prices

Code	GRA	GR1	COM GR2	GR3	GR4	GR5	GR6	GR7	GR8	GR9	GR10	GR11	GR12	Cuir Leather
TAY2	1630	1721	1842	1963	2114	2266	2417	2568	2719	2871	3022	3324	3627	3375

How to Order

Fabric

[See the Logiflex Graded-in List](#)

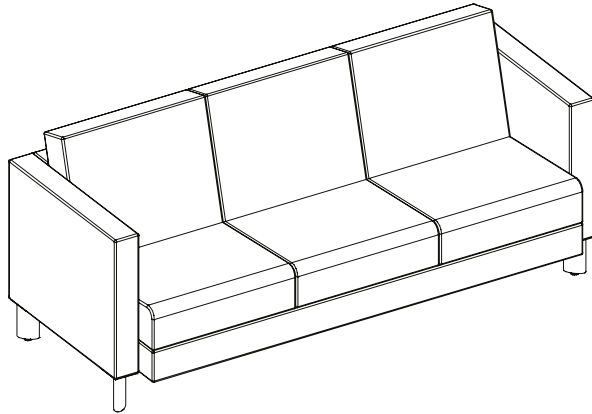
SS	TAY2			
serie	code	supplier	pattern	color

Example SS TAY2 ENNIS LOFT AQUA

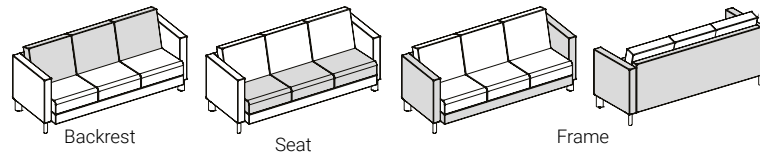
Seating

Taylor Sofa

TAY3



Combination of Colors

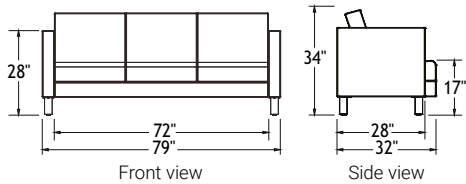


Manufacturing Standards

- Elastic straps on seat;
- Medium-density foam;
- Frame made out of recycled and recyclable particles;
- Oval metal legs 6" H, satin nickel finish.

Number of yards for COM fabric:

Code	Total	Backrest	Seat	Frame	Armrests
TAY3	9	2	2,25	5,75	2,25



Prices

Code	GRA	GR1	COM GR2	GR3	GR4	GR5	GR6	GR7	GR8	GR9	GR10	GR11	GR12	Cuir Leather
TAY3	2122	2271	2469	2667	2915	3162	3410	3657	3905	4152	4400	4895	5390	4977

How to Order

Fabric

[See the Logiflex Graded-in List](#)

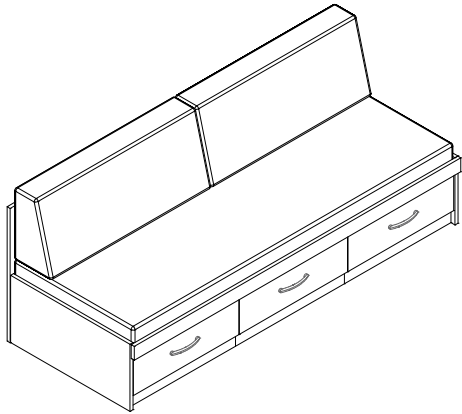
SS	TAY3			
serie	code	supplier	pattern	color

Example SS TAY3 ENNIS LOFT AQUA

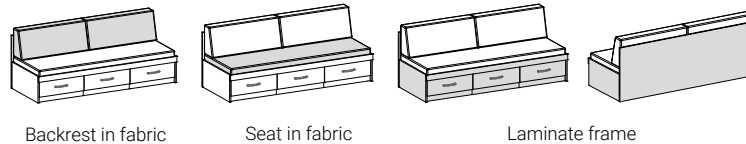
Seating

Day Bed

LFC SPEC (DBED)



Combination of Colors



Manufacturing Standards

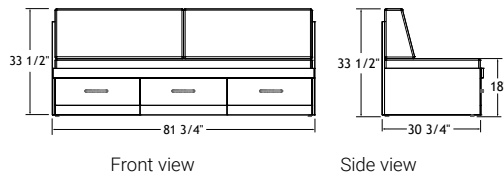
- 3/4" laminate frame;
- Medium density foam;
- White nylon levelers;
- Handles H161.
- Casters have 2 1/4" H

Combination of fabrics: For two-tone upholstery, please use the higher grade pricing.

COM Fabric:

Fabric combination possible. Number of yards required:

Code	Total	Backrest	Seat
SPEC (DBED)	7,25	2,5	4,75



Prices

Code	GRA	GR1	COM GR2	GR3	GR4	GR5	GR6	GR7	GR8	GR9	GR10	GR11	GR12	Cuir Leather
SPEC(DBED)	4031	4151	4311	4470	4669	4869	5068	5268	5467	5666	5866	6264	6663	6331

How to Order

Fabric
See the Logiflex Graded-in List

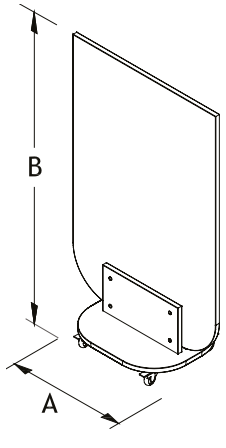
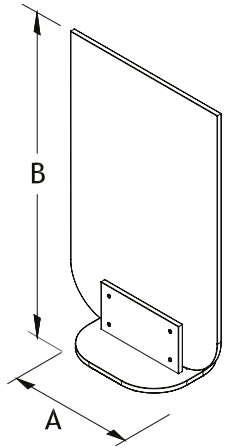
SS	SPEC(DBED)			
series	code	supplier	pattern	color

Example SS SPEC(DBED) ENNIS LOFT AQUA

Freestanding Screens

FS - on levelers

FSR - on casters



Manufacturing Standards

- Freestanding screen with:
- 1" melamine screen panel with rounded bottom corners;
- 1" melamine base with exposed mounting hardware;
- 20 "D x 24" W panel base with rounded corners;
- Assembly required.
-
- **FS:** Base on levelers.
- **FSR:** Base on translucent casters with brakes.

Prices

FS - Base on levelers	
Dimensions	
A	B
36	60
508	

FSR - Base on casters	
Dimensions	
A	B
36	60
559	

How to Order

		FS	FSR	
QSML	36			60
series	width	product		height

Example QSML 36 **FS** 60



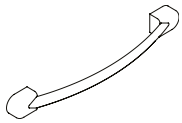
Accessories

Accessories

Handles

H160

Handle

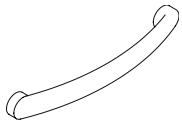


- Finish: Satin nickel;
- Drilling distance between holes: 160 mm c/c

Code	\$	Description
H160	18	

H161

Handle

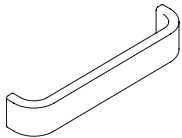


- Finish: Satin nickel;
- Drilling distance between holes: 160 mm c/c

Code	\$	Description
H160	18	

H162

Handle



- Finish: Satin nickel;
- Drilling distance between holes: 160 mm c/c

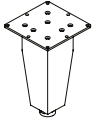
Code	\$	Description
H162	18	

Accessories

Legs

WL2

Legs

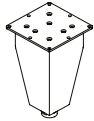


- 6" H wooden leg for bedside cabinets with height adjustable, non-marking glides;
- Wood finishes: select a color from the Logilife laminate finishes.

Code	\$
WL2	Price on request

WL3

Legs

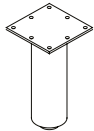


- 6" H wooden leg for dressers and wardrobes with height adjustable, non-marking glides;
- Wood finishes: select a color from the Logilife laminate finishes.

Code	\$
WL3	Price on request

TU6SN

Legs



- 6" H tubular metal leg 1 3/4" diameter, satin nickel finish, with height adjustable, non-marking glides.

Code	\$
TU6SN	Price on request

OVAM6SN

Legs

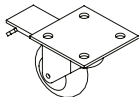


- 6" H metal oval leg, satin nickel finish, with height adjustable, non-marking glides.

Code	\$
OVAM6SN	Price on request

WF

Locking Casters



- Locking, swivel polyurethane casters (SX 64mm).

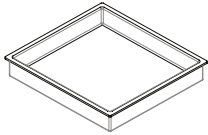
Code	\$
WF	64 Set of 4

Accessories

Miscellaneous Accessories

BP

Drawer Liner

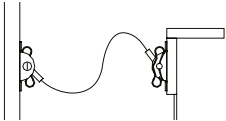


- White plastic drawer liner / For top drawer only.

Code	\$	Description
BP		106

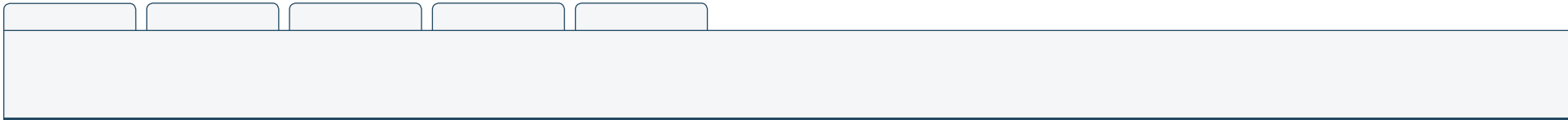
DECR

Anti-Tipping Kit



- Anti-tipping kit made from steel and galvanized steel cable.

Code	\$	Description
DECR	56	



As our product line is constantly evolving and expanding, we recommend that you visit logiflex.ca for updates.

logiflex

1235 St-Roch N., Sherbrooke QC J1N 0H2 Canada
T : 1.877.864.9323 | F : 1.800.474.7830 | logiflex.ca

