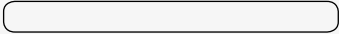


XTENSION

Typical Layouts
CANADA 2023



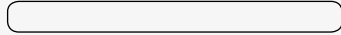
logiflex



Product Map

Xtension

p. 3



Product Map

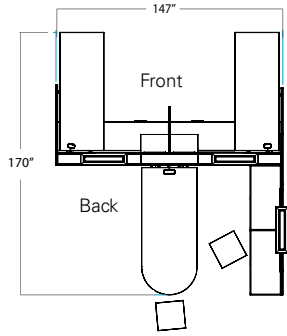
Xtension

p. 28

Typical Layouts



xtension-c001-c002



Laminate: Vega
Metal: Black

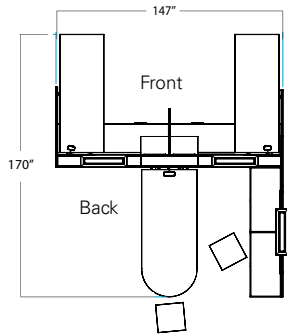
Note: Fabrics are specified for informational purpose only and may be of different grades.

| ITEM | QTY | CODE | DESCRIPTION | LIST PRICE \$ | TOTAL \$ |
|------|-----|-------------------|---|---------------|----------|
| A | 1 | XT 2454 PAN | Simple panel 24 X 54H | 203 | 203 |
| | 1 | [NR] | Option - Connectors on right | 0 | 0 |
| B | 1 | XT 2854 EPANL | L-shaped panel 28 X 54H | 277 | 277 |
| | 1 | [LN] | Option - Connectors on left | 0 | 0 |
| | 1 | [NGR] | Option - Grommet | 0 | 0 |
| C | 1 | XT 3054 PAN | Simple panel 30 X 54H | 249 | 249 |
| | 1 | [LN] | Option - Connectors on left | 0 | 0 |
| D | 1 | XT 3254 EPANC | End panel 32 X 54H | 260 | 260 |
| | 1 | [LR] | Option - Connectors on right and left | 0 | 0 |
| | 1 | [NGR] | Option - Grommet | 0 | 0 |
| E | 1 | XT 3654 PAN | Simple panel 36 X 54H | 312 | 312 |
| | 1 | [LR] | Option - Connectors on right and left | 0 | 0 |
| F | 1 | XT 3654 PAN | Simple panel 36 X 54H | 312 | 312 |
| | 1 | [LN] | Option - Connectors on left | 0 | 0 |
| G | 2 | XT 3054 PWL | Power wall 30 X 54 | 780 | 1 560 |
| | 2 | [APF BL] | Option - Electric box with cover plate, black | 213 | 426 |
| H | 2 | XT 2454 PWL | Power wall 24 X 54H | 751 | 1 502 |
| | 1 | XT 3754 PWLT 3642 | T-shaped power wall 37 X 54H X 36 X 42H | 1109 | 1 109 |
| I | 1 | [APB BL] | Option - Electric box with cover plate, black | 0 | 0 |
| | 1 | XT 3684 DTOP | Collaboration surface 36 X 84 | 558 | 558 |
| J | 1 | [SPS] | Option - Space for wiring on side | 0 | 0 |
| | 1 | XT 2024BBLIND LR | Independent bookcase | 635 | 635 |
| L | 2 | XT 2042 BLEO | Bottomless open bench | 492 | 984 |
| | 4 | SS LEOC18 | Leo square bench 18" with simple top stitching, grade 2 | 674 | 2 696 |
| M | 4 | [LOOP] | Option - Handle | 100 | 400 |
| | 1 | XT 1854 MBP BL | Markerboard 18 X 54H black metal | 214 | 214 |
| N | 1 | XT 1842 MBP BL | Markerboard 18 X 42H black metal | 180 | 180 |
| | 1 | XT 3078 TOP | Rectangular surface 30 X 78 | 357 | 357 |
| P | 1 | [SPFR] | Option - Space for wiring on right and front | 0 | 0 |

Typical Layouts



xtension-c001-c002



Laminate: Vega and Willow Grey
Metal: Black

Note: Fabrics are specified for informational purpose only and may be of different grades.



| ITEM | QTY | CODE | DESCRIPTION | PRICE LIST \$ | TOTAL \$ |
|------|-----|---------------------|--|---------------|----------|
| Q | 1 | XT 3078 TOP | Rectangular surface 30 X 78 | 357 | 357 |
| | 1 | [SPFL] | Option - Space for wiring on left and front | 0 | 0 |
| R | 2 | XT 2612 TSUP | T-support 26 X 12 | 84 | 168 |
| S | 1 | XT 2072OK25 SPF N N | High pedestal | 1617 | 1 617 |
| | 1 | [H071BL] | Option - Handle, black | 0 | 0 |
| | 1 | [LKBL] | Option - Lock | 0 | 0 |
| T | 1 | XT 2072KO25 SPF N N | High pedestal | 1617 | 1 617 |
| | 1 | [H071BL] | Option - Handle, black | 0 | 0 |
| | 1 | [LKBL] | Option - Lock | 0 | 0 |
| U | 2 | VO WS | Wall shelf 11 3/4" X 18", 3/4" light weight composite panel shelf with aluminium shelf bracket | 338 | 676 |
| | | | | Total: | 16 669 |

Accessories

| | | | | | |
|----|---|------------|--|--------|-------|
| V | 2 | BR1BL | Branch unit, 1 power outlet / 1 dual charger USB-a+c | 0 | 0 |
| W | 1 | BR2BL | Branch unit, 3 power outlet / 1 dual charger UBS-a | 0 | 0 |
| X | 1 | MAGBL | Fixed Magog leg, black metal | 495 | 495 |
| Y | 4 | RAWBL | Leg with base in metal and wood insert | 177 | 708 |
| Z | 3 | LPLANTP BL | Metal planter box black | 404 | 1 212 |
| BB | 4 | RSTF52 | Stiffener 52" | 88 | 352 |
| CC | 2 | CNTC01 | Slender cantilever support | 600 | 1 200 |
| DD | 1 | IGS | Installation guide for surface supports | 116 | 116 |
| EE | 2 | IGWM | Installation guide for wire management space | 46 | 92 |
| | | | | Total: | 4 175 |

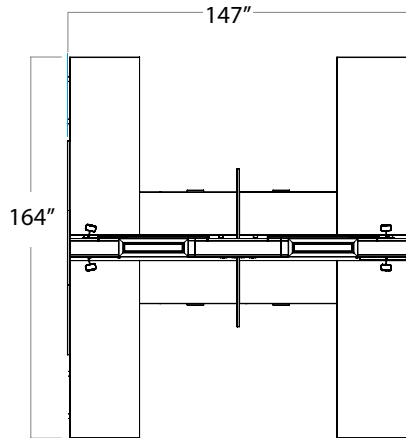
Electrical Accessories

| | | | | | |
|--|---|---------------|-------------------------------------|-----|-----|
| | 1 | BE-PI72 | Plug-in start cable 72" | 224 | 224 |
| | 2 | BE-J60 | Junction cable 60" | 181 | 362 |
| | 6 | BE-D20-C-1-BL | Duplex, circuit 1, 20A | 47 | 282 |
| | 4 | BE-TELB-BL | Telecom plate | 5 | 20 |
| | 2 | BE-TELA-BL | Blank telecom plate | 5 | 10 |
| | 3 | POR01 | Connectivity port (RJ45, CAT6 data) | 142 | 426 |
| | 3 | POR02 | Connectivity port (RJ11) | 42 | 126 |
| | 1 | POR03 | Connectivity port (USB) | 88 | 88 |
| | 1 | POR04 | Connectivity port (HDMI) | 130 | 130 |

Total: 1 668

Typical Layouts

xtension-c002c



Laminate: Polar White and Ingot Grey
Metal: White

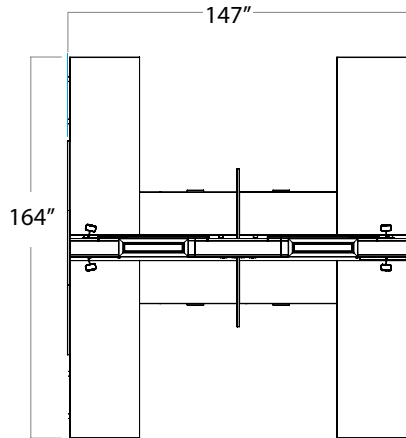
Note: Fabrics are specified for informational purpose only and may be of different grades.

| ITEM | QTY | CODE | DESCRIPTION | LIST PRICE \$ | TOTAL \$ |
|------|-----|-------------------|---|---------------|----------|
| A | 2 | XT 3054 PAN | Simple panel 30 X 54H | 249 | 498 |
| | 2 | [NR] | Option - Connectors on right | 0 | 0 |
| | 2 | XT 3254 EPANC | End panel 32 X 54H | 260 | 520 |
| B | 2 | [LR] | Option - Connectors on right and left | 0 | 0 |
| | 2 | [NGR] | Option - Grommet | 0 | 0 |
| | 2 | XT 3054 PAN | Simple panel 30 X 54H | 249 | 498 |
| C | 2 | [LN] | Option - Connectors on left | 0 | 0 |
| | 2 | XT 3054 PWL | Power wall 30 X 54H | 780 | 1 560 |
| | 2 | [AP2 WH] | Option - Electric box with cover plate, white | 426 | 852 |
| E | 2 | XT 2454 PWL | Power wall 24 X 54H | 751 | 1 502 |
| F | 1 | XT 3754 PWLX 3654 | X-shaped power wall 37 X 54H X 36 X 54H | 1432 | 1 432 |
| G | 2 | XT 3078 TOP | Rectangular surface 30 X 78 | 357 | 714 |
| | 2 | [SPR] | Option - Space for wiring on right | 0 | 0 |
| | 2 | XT 3078 TOP | Rectangular surface 30 X 78 | 357 | 714 |
| H | 2 | [SPL] | Option - Space for wiring on left | 0 | 0 |
| I | 4 | XT 2612 TSUP | T-support 26 X 16 | 84 | 336 |
| | 2 | XT 2072 OK25 | High pedestal 20 X 72 | 1617 | 3 234 |
| | 2 | [SPF] | Option - Space for wiring on front | 0 | 0 |
| | 2 | [HO52WH] | Option - Handle, white | 0 | 0 |
| J | 2 | [LKSN] | Option - Lock | 0 | 0 |
| | 2 | XT 2072 KO25 | High pedestal 20 X 72 | 1617 | 3 234 |
| | 2 | [SPF] | Option - Space for wiring on front | 0 | 0 |
| | 2 | [HO52WH] | Option - Handle, white | 0 | 0 |
| K | 2 | [LKSN] | Option - Lock | 0 | 0 |

Typical Layouts



xtension-c002c (following)



Laminate: Polar White and Ingot Grey
Metal: White

Note: Fabrics are specified for informational purpose only and may be of different grades.



| ITEM | QTY | CODE | DESCRIPTION | LIST PRICE \$ | TOTAL \$ |
|------|-----|----------------|-------------------------------------|---------------|----------|
| | 4 | LV 1030 UAM C1 | Acrylic divider screen 10"H X 30"L | 298 | 1 192 |
| L | 4 | [WH] | Option - White mounts | 0 | 0 |
| | 4 | [PL] | Option - Acrylic finish frosted | 0 | 0 |
| M | 4 | XT 1848 TBP WH | Hanging tackboard 18H X 48, grade 2 | 337 | 1 348 |
| | | | | Total: | 17 634 |

Accessories

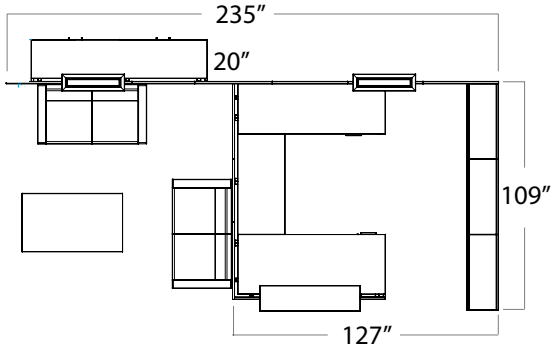
| | | | | | |
|---|---|------------|--|--------|-------|
| N | 4 | PATTE30WH | Square white metal leg 30" | 270 | 1 080 |
| O | 4 | BR1WH | Branch unit white, 1 power outlet / 1 dual charger USB-a+c | 476 | 1 904 |
| P | 4 | LPLANTP WH | Metal planter box white | 404 | 1 616 |
| Q | 4 | CNTC01 WH | Slender cantilever support | 23 | 92 |
| R | 8 | RSTF52 | Stiffener 52" | 88 | 704 |
| S | 1 | IGS | Installation guide for surface supports | 116 | 116 |
| T | 2 | IGWM | Installation guide for wire management space | 46 | 92 |
| | | | | Total: | 5 396 |

Electrical Accessories

| | | | | | |
|--|---|---------------|-------------------------------------|--------|-------|
| | 1 | BE-HW-84 | Hardwired conduit power entry 84" | 197 | 197 |
| | 1 | BE-J120 | Junction cable 120" | 277 | 277 |
| | 1 | BE-J18 | Junction cable 18" | 123 | 123 |
| | 1 | BE-J36 | Duplex, circuit 1, 20A | 141 | 141 |
| | 2 | BE-D20-C-1-WH | Duplex, circuit 2, 20A | 53 | 106 |
| | 2 | BE-D20-C-2-WH | Duplex, circuit 3, 20A | 53 | 106 |
| | 2 | BE-D20-C-3-WH | Duplex, circuit 4, 20A | 53 | 106 |
| | 2 | BE-D20-C-4-WH | Telecom plate | 53 | 106 |
| | 4 | BE-TELB-WH | Blank telecom plate | 5 | 20 |
| | 4 | BE-TELA-WH | Connectivity port (RJ45, CAT6 data) | 5 | 20 |
| | 4 | POR01 | Connectivity port (RJ11) | 142 | 568 |
| | 4 | POR02 | | 42 | 168 |
| | | | | Total: | 1 938 |

Typical Layouts

xtension-c003



Laminate: Vega
Metal: Black

Note: Fabrics are specified for informational purpose only and may be of different grades.



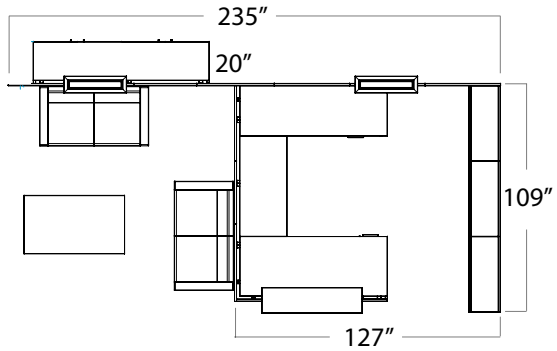
| ITEM | QTY | CODE | DESCRIPTION | LIST PRICE \$ | TOTAL \$ |
|------|-----|--------------------|---|---------------|----------|
| A | 1 | XT 3042 PAN | Simple panel 30 X 42H | 196 | 196 |
| | 1 | [NR] | Option - Connectors on right | 0 | 0 |
| B | 3 | XT 3042 PAN | Simple panel 30 X 42H | 196 | 588 |
| | 3 | [LR] | Option - Connectors on right and left | 0 | 0 |
| C | 1 | XT 3742 PANT 3642 | T-shaped panel 37 X 42H X 36 X 42H | 485 | 485 |
| | 1 | [LRF] | Option - Connectors on right, left and front | 0 | 0 |
| D | 1 | XT 3642 PAN | Simple panel 36 X 42H | 243 | 243 |
| | 1 | [LN] | Option - Connectors on left | 0 | 0 |
| E | 2 | XT 3642 PAN | Simple panel 36 X 42H | 243 | 486 |
| | 2 | [LR] | Option - Connectors on right and left | 0 | 0 |
| F | 1 | XT 3642 PAN | Simple panel 36 X 42H | 243 | 243 |
| | 1 | [LN] | Option - Connectors on left | 0 | 0 |
| G | 1 | XT 3742 PANLR 3642 | L-shaped panel 37 X 42H X 36 X 42H | 485 | 485 |
| | 1 | [LR] | Option - Connectors on right and left | 0 | 0 |
| H | 2 | XT 153636 USF | Island station 15 X 36 X 36 | 751 | 1 502 |
| I | 1 | XT 153636 USBB | Island station with bookcase 15 X 36 X 36 | 751 | 751 |
| J | 1 | XT EIND30 L | Independant pedestal | 905 | 905 |
| | 1 | [H071BL] | Option - Handle, black | 0 | 0 |
| | 1 | [LKBL] | Option - Lock | 0 | 0 |
| K | 1 | XT 2430 CLIND R | Independant lateral filing cabinet 24 X 30 | 983 | 983 |
| | 1 | [H071BL] | Option - Handle, black | 0 | 0 |
| | 1 | [LKBL] | Option - Lock | 0 | 0 |
| L | 1 | XT 3072 TOP | Rectangular surface 30 X 72 | 330 | 330 |
| | 1 | [SPFR] | Option - Spaces for wiring on front and right | 0 | 0 |
| M | 1 | XT 2448 TOP | Rectangular surface 24 X 48 | 175 | 175 |
| | 1 | [SPF] | Option - Spaces for wiring on front | 0 | 0 |
| N | 1 | XT 2472 TOP | Rectangular surface 24 X 72 | 264 | 264 |
| | 1 | [SPL] | Option - Spaces for wiring on left | 0 | 0 |
| O | 1 | XT 1248 SHP | Transaction shelf 12 X 48 | 116 | 116 |

LOGIFLEX | XTENSION

Typical Layouts



xtension-c003 (following)



Laminate: Vega
Metal: Black

Note: Fabrics are specified for informational purpose only and may be of different grades.

| ITEM | QTY | CODE | DESCRIPTION | LIST PRICE \$ | TOTAL \$ |
|------|-----|-----------------|---|---------------|----------|
| | 1 | XT 2042ARIND L | Independant cabinet 20 X 42 X 28H with two doors, full depth left leg and recessed leg on right | 890 | 890 |
| P | 1 | [H071BL] | Option - Handle, black | 0 | 0 |
| | 1 | [LKBL] | Option - Lock | 0 | 0 |
| | 1 | XT 2042ARIND R | Independant cabinet 20 X 42 X 28H with two doors, recessed left leg and full depth leg on right | 890 | 890 |
| Q | 1 | [H071BL] | Option - Handle, black | 0 | 0 |
| | 1 | [LKBL] | Option - Lock | 0 | 0 |
| R | 1 | XT 2084 TOP SPF | Rectangular surface 20 X 84, spaces for wiring on front | 256 | 256 |
| S | 1 | OS SL2T BL | Rectangular large coffee table with black metal base | 647 | 647 |
| T | 2 | SS SL2AB | Slim loveseat with matte black metal base, grade 2 | 2520 | 5 040 |
| | | | | Total: | 15 475 |

Accessories

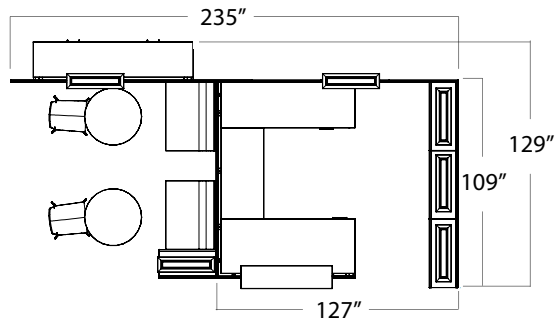
| | | | | | |
|----|---|------------|--|--------|-------|
| U | 2 | LPLANTP BL | Metal planter box - black | 404 | 808 |
| V | 3 | CNT01 SN | Cantilever support with space for cable tray | 50 | 150 |
| W | 4 | CNTC01 WH | Slender cantilever support | 23 | 92 |
| X | 1 | CNT02 SN | Cantilever support with space for cable tray | 56 | 56 |
| Y | 2 | FP2BL | Metal junction plate 1-1/2" x 5-3/4" thick 3/32" to attach two surfaces together | 11 | 22 |
| Z | 2 | IGWM | Installation guide for 1 1/2" wire management space for surfaces | 46 | 92 |
| AA | 1 | IGS | Management space for surfaces | 116 | 116 |
| | | | | Total: | 1 336 |

Electrical Accessories

| | | | | | |
|--|---|---------------|--|--------|-----|
| | 1 | CT118 | Metal cable tray with mounting hardware | 104 | 104 |
| | 1 | BE-PI72 | Corded power entry of 72", Right angle 20 Amp plug, Male end | 224 | 224 |
| | 1 | BE-DHB | Double half power block, Includes mounting plates | 103 | 103 |
| | 2 | BE-D20-C-1-BL | Duplex, 20 ampere | 47 | 94 |
| | 1 | BE-J120 | M/M jumper, Non-ajustable, 8 wire - 4 circuits | 277 | 277 |
| | 1 | BE-HC | Harness connector F/F | 51 | 51 |
| | | | | Total: | 853 |

Typical Layouts

xtension-c003b



F
C
G
H
I
D

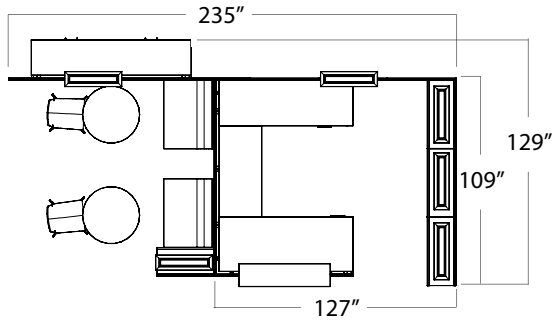
Laminate: Ohm
Metal: White, Satin Nickel

Note: Fabrics are specified for informational purpose only and may be of different grades.

| ITEM | QTY | CODE | DESCRIPTION | LIST PRICE \$ | TOTAL \$ |
|------|-----|--------------------|---|---------------|----------|
| A | 1 | XT 3054 PAN | Simple panel 30 X 54H | 249 | 249 |
| | 1 | [NR] | Option - Connectors on right | 0 | 0 |
| B | 3 | XT 3054 PAN | Simple panel 30 X 54H | 249 | 747 |
| | 3 | [LR] | Option - Connectors on right and left | 0 | 0 |
| C | 1 | XT 3754 PANT 3654 | T-shaped panel 37 X 54H X 36 x 54H | 624 | 624 |
| | 1 | [LRF] | Option - Connectors on right, left and front | 0 | 0 |
| D | 1 | XT 3642 PAN | Simple panel 36 X 42H | 243 | 243 |
| | 1 | [LN] | Option - Connectors on left | 0 | 0 |
| E | 2 | XT 3654 PAN | Simple panel 36 X 54H | 312 | 624 |
| | 2 | [LR] | Option - Connectors on right and left | 0 | 0 |
| F | 1 | XT 3654 PAN | Simple panel 36 X 54H | 312 | 312 |
| | 1 | [LN] | Option - Connectors on left | 0 | 0 |
| G | 1 | XT 3754 PANLR 3642 | Lshaped panel 37 X 54H X 36 X 42H | 554 | 554 |
| | 1 | [LR] | Option - Connectors on right and left | 0 | 0 |
| H | 2 | XT 153636 USF | Island station 15 X 36 X 36 | 751 | 1 502 |
| I | 1 | XT 153636 USBB | Island station with bookcases 15 X 36 X 36 | 751 | 751 |
| | 1 | XT EIND30 L | Independant E pedestal | 905 | 905 |
| J | 1 | [H071WH] | Option - Handle, white | 0 | 0 |
| | 1 | [LKSN] | Option - Lock | 0 | 0 |
| | 1 | XT 2430 CLIND R | Independant lateral filing cabinet | 983 | 983 |
| K | 1 | [H071WH] | Option - Handle, white | 0 | 0 |
| | 1 | [LKSN] | Option - Lock | 0 | 0 |
| L | 1 | XT 3072 TOP | Rectangular surface 30 X 72 | 330 | 330 |
| | 1 | [SPFR] | Option - Spaces for wiring on front and right | 0 | 0 |
| M | 1 | XT 2448 TOP | Rectangular surface 24 X 48 | 175 | 175 |
| | 1 | [SPF] | Option - Spaces for wiring on front | 0 | 0 |
| N | 1 | XT 2472 TOP | Rectangular surface 24 X 72 | 264 | 264 |
| | 1 | [SPL] | Option - Spaces for wiring on left | 0 | 0 |
| O | 1 | XT 1248 SHP | Transaction shelf 12 X 48 | 116 | 116 |

Typical Layouts

xtension-c003b (following)



Laminate: Ohm
Metal: White, Satin Nickel

Note: Fabrics are specified for informational purpose only and may be of different grades.

| ITEM | QTY | CODE | DESCRIPTION | LIST PRICE \$ | TOTAL \$ |
|------|-----|-----------------|---|---------------|---------------|
| P | 1 | XT 2042ARIND L | Independant cabinet with two doors | 890 | 890 |
| | 1 | [H071WH] | Option - Handle, white | 0 | 0 |
| | 1 | [LKBL] | Option - Lock | 0 | 0 |
| Q | 1 | XT 2042ARIND R | Independant cabinet with two doors | 890 | 890 |
| | 1 | [H071WH] | Option - Handle, white | 0 | 0 |
| | 1 | [LKBL] | Option - Lock | 0 | 0 |
| R | 1 | XT 2084 TOP | Rectangular surface 20 X 84 | 256 | 256 |
| | 1 | [SPF] | Option - Spaces for wiring on front | 0 | 0 |
| S | 1 | XT 153054 USBB | Island station with bookcase 15 X 30 X 54H | 797 | 797 |
| T | 2 | SS BCD36 | Infiniti rectangular bench 26-1/2" X 36", grade 2 | 1604 | 3 208 |
| U | 1 | OS 30TRLENSN 29 | Round table 30" X 29"H, satin nickel Lennox base | 836 | 836 |
| V | 2 | MDMUU04GCHR | Madrid chair with high back 29H, grade 2,chrome finish. | 636 | 1 272 |
| | | | | Total: | 16 528 |

Accessories

| | | | | | |
|----|---|------------|---|---------------|--------------|
| W | 4 | LPLANTS WH | Metal planter box white | 0 | 0 |
| X | 2 | LPLANTP WH | Metal planter box white | 404 | 808 |
| Y | 3 | CNT01 SN | Cantilever support with space for cable tray | 50 | 150 |
| Z | 1 | CNT02 SN | Cantilever support with space for cable tray | 56 | 56 |
| AA | 4 | CNTC01 WH | Slender cantilever support | 23 | 92 |
| BB | 1 | IGS | Installation guide for surface supports | 116 | 116 |
| CC | 2 | IGWM | Installation guide for 1 1/2" wire management space for surface | 46 | 92 |
| DD | 2 | FP2BL | Metal junction plate | 11 | 22 |
| | | | | Total: | 1 336 |

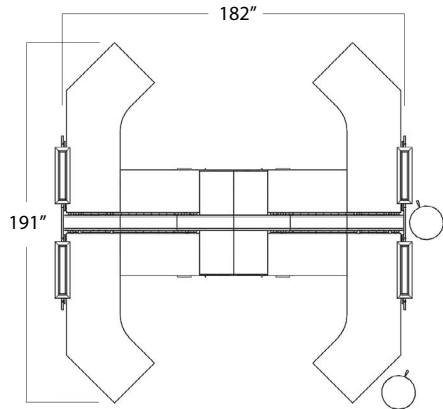
Electrical Accessories

| | | | | | |
|--|---|---------------|--|---------------|------------|
| | 1 | CT118 | Metal cable tray with mounting hardware | 104 | 104 |
| | 1 | BE-PI72 | Corded power entry of 72", Right angle 20 Amp plug, Male end | 224 | 224 |
| | 1 | BE-DHB | Double half power block, Includes mounting plates | 103 | 103 |
| | 2 | BE-D20-C-1-BL | Duplex, 20 ampere | 47 | 94 |
| | 1 | BE-J120 | M/M jumper , Non-ajustable, 8 wire - 4 circuits | 277 | 277 |
| | 1 | BE-HC | Harness connector F/F | 51 | 51 |
| | | | | Total: | 853 |

Typical Layouts



xtension-c004



Laminate: Vega
Metal: White
Wood: Bark

Note: Fabrics are specified for informational purpose only and may be of different grades.

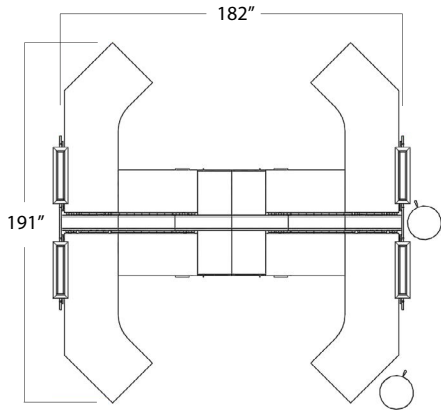


| ITEM | QTY | CODE | DESCRIPTION | PRICE LIST \$ | TOTAL \$ |
|------|-----|---------------------|---|---------------|----------|
| A | 2 | XT 3054 PAN | Simple panel 30 X 54H | 249 | 498 |
| | 2 | [LN] | Option - Connectors on left | 0 | 0 |
| B | 2 | XT 3054 PAN | Simple panel 30 X 54H | 249 | 498 |
| | 2 | [NR] | Option - Connectors on right | 0 | 0 |
| C | 2 | XT 3254 EPANC | End panel 32 X 54H | 260 | 520 |
| | 2 | [LR] | Option - Connectors on left and right | 0 | 0 |
| | 2 | [NGR] | Option - Grommet | 0 | 0 |
| D | 2 | XT 3054 PWL | Power wall 30 X 54H | 780 | 1 560 |
| | 2 | [AP2 WH] | Option - Electric box with cover plate, white | 426 | 852 |
| E | 4 | XT 3054 PWL | Power wall 30 X 54H | 780 | 3 120 |
| F | 2 | XT 306636 COLTOP | Collaboration surface 30 X 66 X 36 | 815 | 1 630 |
| | 2 | [SPFS] | Option - Space for wiring on front and side | 0 | 0 |
| G | 2 | XT 306636 CORTOP | Collaboration surface 30 X 66 X 36 | 815 | 1 630 |
| | 2 | [SPFS] | Option - Space for wiring on front and side | 0 | 0 |
| H | 4 | XT 2442 TOP | Rectangular surface 24 X 42 | 153 | 612 |
| | 4 | [SPF] | Option - Space for wiring on front | 0 | 0 |
| | 4 | XT PGIND24 N | Independant pedestal with 1 pigeonhole | 894 | 3 576 |
| I | 4 | [H071WH] | Option - Handle, white | 0 | 0 |
| | 4 | [LKSN] | Option - Lock | 0 | 0 |
| J | 2 | XT 241854 ARHR MGLR | Cabinet with coat hook 24 X 18 X 54H | 1082 | 2 164 |
| | 2 | [H071WH] | Option - Handle, white | 0 | 0 |
| | 2 | [LKSN] | Option - Lock | 0 | 0 |
| K | 2 | XT 241854 ARHL MGLR | Cabinet with coat hook 24 X 18 X 54H | 1082 | 2 164 |
| | 2 | [H071WH] | Option - Handle, white | 0 | 0 |
| | 2 | [LKSN] | Option - Lock | 0 | 0 |

Typical Layouts



xtension-c004 (following)



Laminate: Vega
Metal: White
Wood: Bark

Note: Fabrics are specified for informational purpose only and may be of different grades.



| ITEM | QTY | CODE | DESCRIPTION | PRICE LIST \$ | TOTAL \$ |
|------|-----|----------------|---|---------------|----------|
| L | 4 | XT 1236 TBP WH | Hanging tackboard 12"HX36", white supports, grade 2 | 313 | 1 252 |
| M | 2 | SS LEO18 | Leo circular bench 18" with simple top stitching, grade 2 | 629 | 1 258 |
| | 2 | [LOOP] | Option - Handle | 100 | 200 |
| | | | | Total: | 21 534 |

Accessories

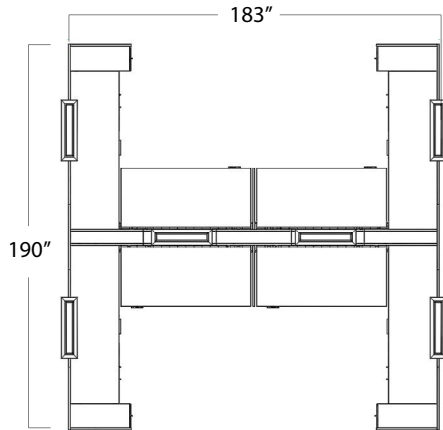
| | | | | | |
|---|----|------------|---|--------|-------|
| N | 4 | LPLANTP WH | Metal planter box - white | 404 | 1 616 |
| O | 8 | RAWWH | Leg with base in white metal with wood insert | 177 | 1 416 |
| | 8 | [BK] | Option - Wood color Bark | 0 | 0 |
| P | 12 | CNTC01 WH | Slender cantilever support, white | 23 | 276 |
| Q | 4 | CNT02 SN | Cantilever support, satin nickel | 56 | 224 |
| R | 4 | FP2BL | 2 flush plates to attach two surfaces together | 11 | 44 |
| S | 4 | CT118 | Metal cable tray | 104 | 416 |
| T | 1 | IGS | Installation guide for surface supports | 116 | 116 |
| U | 2 | IGWM | Installation guide for 1 1/2" wire management space for surface | 46 | 92 |
| V | 8 | RSTF58 | Stiffener 58" | 88 | 704 |
| | | | | Total: | 4 904 |

Electrical Accessories

| | | | | | |
|--|---|---------------|--------------------------------------|-----|-------|
| | 1 | BE-PI72 | Plug-in start cable 72" | 224 | 224 |
| | 8 | BE-D20-C-1-WH | Duplex 20A - circuit 1 | 53 | 424 |
| | 1 | BE-J18 | Junction cable 18" | 123 | 123 |
| | 1 | BE-J36 | Junction cable 36" | 141 | 141 |
| | 1 | BE-J216 | Junction cable 216" | 515 | 515 |
| | 4 | BE-TELB-WH | Telecom plate - White | 5 | 20 |
| | 4 | BE-TELA-WH | Blank telecom plate - White | 5 | 20 |
| | 8 | POR 01 | Connectivity port (CAT6 data / RJ45) | 142 | 1 136 |
| | 8 | POR 03 | USB connectivity port | 88 | 704 |

Typical Layouts

xtension-c004d



Laminate: Ohm and Willow Grey
Metal: Black

Note: Fabrics are specified for informational purpose only and may be of different grades.

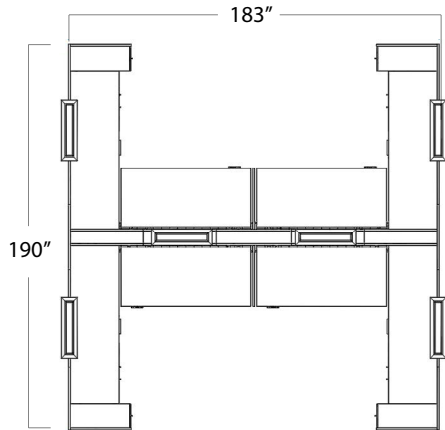


| ITEM | QTY | CODE | DESCRIPTION | LIST PRICE \$ | TOTAL \$ |
|------|-----|----------------------|--|---------------|----------|
| A | 2 | XT 301254 SL01R MGRR | Sliding storage 30 X12 X 54H, opening at right | 2426 | 4 852 |
| | 2 | [P1] | Option - Cutout for socket | 0 | 0 |
| | 2 | [H071BL] | Option - Handle, black | 0 | 0 |
| | 2 | [LKBL] | Option - Lock | 0 | 0 |
| B | 2 | XT 301254 SL01L MGRL | Sliding storage 30 X12 X 54H, opening at left | 2426 | 4 852 |
| | 2 | [P1] | Option - Cutout for socket | 0 | 0 |
| | 2 | [H071BL] | Option - Handle, black | 0 | 0 |
| C | 2 | [LKBL] | Option - Lock | 0 | 0 |
| | 2 | XT 3154 PANLR 3054 | L-shaped panel 31 X 54H X 30 X 54H | 497 | 994 |
| D | 2 | [NR] | Option - Connectors on right | 0 | 0 |
| | 2 | XT 3154 PANLL 3054 | L-shaped panel 31 X 54H X 30 X 54H | 497 | 994 |
| E | 2 | [LN] | Option - Connectors on left | 0 | 0 |
| | 4 | XT 4854 PAN | Simple panel 48 X 54H | 393 | 1 572 |
| | 4 | [LR] | Option - Connectors on left and right | 0 | 0 |
| F | 2 | XT 3254 EPANC | End panel 32 X 54H | 260 | 520 |
| | 2 | [LR] | Option - Connectors on right and left | 0 | 0 |
| | 2 | [NGR] | Option - Grommet | 0 | 0 |
| G | 2 | XT 3654 PWL | Power wall 36 X 54H | 809 | 1 618 |
| | 2 | XT 3654 PWL | Power wall 36 X 54H | 809 | 1 618 |
| H | 2 | [AP2 BL] | Option - Electric box with cover plate, black | 426 | 852 |
| | 1 | XT 3754 PWLX 3054 | X-shaped power wall 37 X 54H X 30 X 54H | 1432 | 1 432 |
| J | 4 | XT 2478 TOP SPN | Rectangular surface 24 X 78 | 286 | 1 144 |
| | 4 | XT 2430 ARIND N | Independant cabinet with 2 doors | 843 | 3 372 |
| K | 4 | [H071BL] | Option - Handle, black | 0 | 0 |
| | 4 | [LKBL] | Option - Lock | 0 | 0 |

Typical Layouts



xtension-c004d (following)



Laminate: Ohm and Willow Grey
Metal: Black

Note: Fabrics are specified for informational purpose only and may be of different grades.



| ITEM | QTY | CODE | DESCRIPTION | LIST PRICE \$ | TOTAL \$ |
|------|-----|------------------|--|---------------|----------|
| | 4 | XT EIND24 N | Independent E pedestal | 894 | 3 576 |
| L | 4 | [H071BL] | Option - Handle, black | 0 | 0 |
| | 4 | [LKBL] | Option - Lock | 0 | 0 |
| M | 4 | XT 2424 BBLIND N | Independent bookcase 24 X 24 X 28H, recessed legs | 693 | 2 772 |
| N | 4 | EP 2964 T BL | Elevation Plus table 29D X 64 L with rectangular surface | 1738 | 6 952 |
| O | 4 | CTCOVER0672 | Laminate cover for cable tray | 87 | 348 |
| | | | | Total: | 37 468 |

Accessories

| | | | | | |
|---|---|------------|-----------------------------|--------|-------|
| P | 4 | CT118 | Metal cable tray | 104 | 416 |
| Q | 6 | LPLANTP BL | Metal planter box - Black | 404 | 2 424 |
| R | 4 | MTC | Stabilizing laminate corner | 53 | 212 |
| S | 8 | EPF | Positioning bracket | 22 | 176 |
| | | | | Total: | 3 052 |

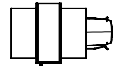
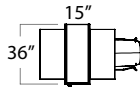
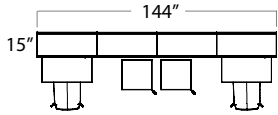
Electrical Accessories

| | | | | | |
|--|---|---------------|--------------------------------------|--------|-------|
| | 1 | BE-HW120 | Hardwired start cable 120" | 255 | 255 |
| | 2 | BE-D20-C-1-BL | Duplex 20a - circuit 1 | 47 | 94 |
| | 2 | BE-D20-C-2-BL | Duplex 20a - circuit 2 | 47 | 94 |
| | 2 | BE-D20-C-3-BL | Duplex 20a - circuit 3 | 47 | 94 |
| | 2 | BE-D20-C-4-BL | Duplex 20a - circuit 4 | 47 | 94 |
| | 1 | BE-J18 | Junction cable 18" | 123 | 123 |
| | 1 | BE-J36 | Junction cable 36" | 141 | 141 |
| | 1 | BE-J84 | Junction cable 84" | 219 | 219 |
| | 4 | BE-TELB-BL | Telecom plate - Black | 5 | 20 |
| | 4 | BE-TELA-BL | Blank telecom plate - Black | 5 | 20 |
| | 4 | POR 01 | Connectivity port (CAT6 data / RJ45) | 142 | 568 |
| | 4 | POR 03 | USB connectivity port | 88 | 352 |
| | 4 | SQU-72-C | USB port | 222 | 888 |
| | | | | Total: | 2 962 |

Typical Layouts



xtension-c005



B
E
D
A



C

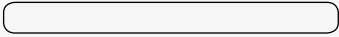
F

Laminate: Vega
Metal: Satin Nickel

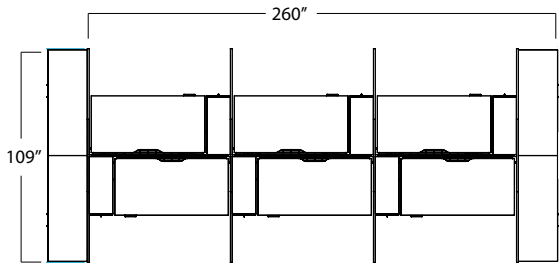
Note: Fabrics are specified for informational purpose only and may be of different grades.

| ITEM | QTY | CODE | DESCRIPTION | LIST PRICE \$ | TOTAL \$ |
|-------------------------------|-----|--------------------|---|---------------|----------|
| A | 2 | XT 153636 USF | Island station 15 X 36 X 36H | 751 | 1 502 |
| | 2 | [PR] | Option - Right cut-out for socket | 0 | 0 |
| | 2 | [R] | Option - Shelf on right | 179 | 358 |
| | 2 | [SN] | Option - Metal Satin Nickel | 0 | 0 |
| B | 2 | XT 153636 USF | Island station 15 X 36 X 36H | 751 | 1 502 |
| | 2 | XT 153654 USLOR E1 | Island station with lockers 15 X 36 X 54H | 1828 | 3 656 |
| C | 2 | [E1] | Option - Lock | 231 | 462 |
| | 2 | [PLR] | Option - Left and right cut-out for socket | 0 | 0 |
| | 2 | [LR] | Option - Shelf on right and left | 358 | 716 |
| D | 2 | [SN] | Option - Metal Satin Nickel | 0 | 0 |
| | 2 | SS LEOC18 | Square bench | 674 | 1 348 |
| | 2 | [NYL] | Option - Nylon band | 70 | 140 |
| | 2 | [LOOP] | Option - Handle | 100 | 200 |
| E | 2 | MDMUU04GCHR | Madrid chair with high back 29H, grade 2, chrome finish | 636 | 1 272 |
| F | 4 | MDLUUT429GCHR | Madrid chair with high back 42H, grade 2, chrome finish | 788 | 3 152 |
| | | | | Total: | 14 308 |
| Electrical Accessories | | | | | |
| | 6 | SQU-72-JM | USB port | 222 | 1 332 |
| | 2 | SQE-120-JM | Electric plug | 135 | 270 |
| | | | | Total: | 1 602 |

Typical Layouts



xtension-c006



D
A
E

B
C
G
F

Laminate: Dosha
Metal: Black

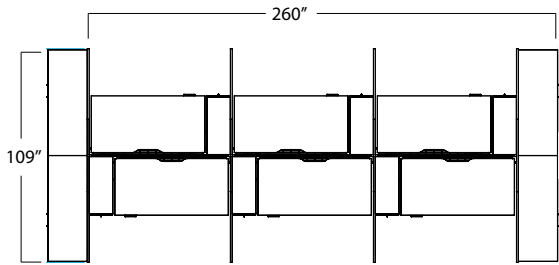
Note: Fabrics are specified for informational purpose only and may be of different grades.

| ITEM | QTY | CODE | DESCRIPTION | LIST PRICE \$ | TOTAL \$ |
|------|-----|----------------------|--|---------------|----------|
| A | 4 | XT 3642 PAN | Simple panel 36 X 42H | 243 | 972 |
| | 4 | [LN] | Option - Connectors on left | 0 | 0 |
| B | 4 | XT 3642 PAN | Simple panel 36 X 42H | 243 | 972 |
| | 4 | [NR] | Option - Connectors on right | 0 | 0 |
| C | 2 | XT 3742 PANT 3642 | T-shaped panel 37 X 42H X 36 X 42H | 485 | 970 |
| | 2 | [LRF] | Option - Connectors on right and front | 0 | 0 |
| D | 2 | XT 3742 PANX 3642 | X-shaped panel 37 X 42H X 36 X 42H | 728 | 1 456 |
| | 2 | [LRFB] | Option - Connectors on right, front and behind | 0 | 0 |
| E | 6 | XT 301242 SL01R MGLR | Sliding storage 30 X 12 X 42H open at right | 2195 | 13 170 |
| | 6 | [P1] | Option - Cutout for socket | 0 | 0 |
| | 6 | [HO71BL] | Option - Handle, black | 0 | 0 |
| | 6 | [LKBL] | Option - Lock | 0 | 0 |
| F | 2 | XT 2042 ARIND L | Independant cabinet 20 X 42H X 28 with 2 doors | 890 | 1 780 |
| | 2 | [HO71BL] | Option - Handle, black | 0 | 0 |
| | 2 | [LKBL] | Option - Lock | 0 | 0 |
| G | 2 | XT 2042 ARIND R | Independant cabinet 20 X 42H X 28 with 2 doors | 890 | 1 780 |
| | 2 | [HO71BL] | Option - Handle, black | 0 | 0 |
| | 2 | [LKBL] | Option - Lock | 0 | 0 |
| H | 2 | XT 2024 BBLIND N | Independant bookcase 20 X 24 X 28H | 635 | 1 270 |

Typical Layouts



xtension-c006 (following)



Laminate: Dosha
Metal: Black

Note: Fabrics are specified for informational purpose only and may be of different grades.

| ITEM | QTY | CODE | DESCRIPTION | LIST PRICE \$ | TOTAL \$ |
|------|-----|-----------------|---|---------------|----------|
| I | 4 | XT 2054 TOP SPN | Rectangular surface 20 X 54 | 165 | 660 |
| J | 3 | XT 0670 EAS BL | Acrylic divider on panel, black extrusion | 295 | 885 |
| | 6 | EP 2958TBL | Elevation Plus table 29 X 58 with rectangular surface | 1608 | 9 648 |
| K | 6 | [WAVC] | Option - Wire management cutout | 24 | 144 |
| | 6 | [MH3D] | Option - Connectivity unit | 397 | 2 382 |
| L | 6 | XT 0660CTCOVER | Laminate cover for cable tray | 76 | 456 |
| M | 6 | XT 1212 MTC | Stabilizing laminate corner | 53 | 318 |
| | | | | Total: | 36 863 |

Accessories

| | | | | | |
|---|----|--------|----------------------|--------|-----|
| N | 3 | CT118 | Metal cable tray | 104 | 312 |
| O | 6 | DSG BL | Double-sided grommet | 23 | 138 |
| P | 12 | EPF BL | Positioning bracket | 22 | 264 |
| | | | | Total: | 450 |

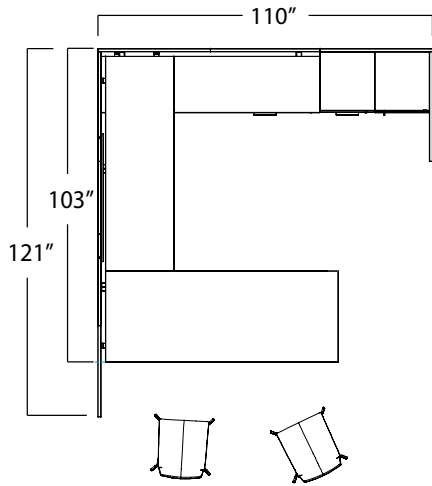
Electrical Accessories

| | | | | | |
|--|---|--------------|--|-----|-------|
| | 2 | BE-HW-96 | Hardwired conduit power entry 96" | 218 | 436 |
| | 3 | BE-KDHB-4-BL | Assembly of two double half power bloc | 395 | 1 185 |
| | 4 | BE-J84 | Junction cable 84" | 219 | 876 |
| | 1 | BE-J18 | Junction cable 18" | 123 | 123 |
| | 6 | SQU-72-C | USB port | 222 | 1 332 |

Total: 3 952

Typical Layouts

xtension-c007

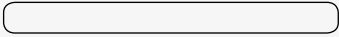


Laminate: Ohm
Metal: White and Chrome

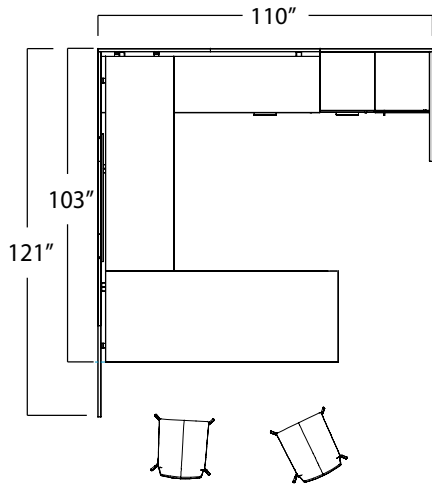
Note: Fabrics are specified for informational purpose only and may be of different grades.

| ITEM | QTY | CODE | DESCRIPTION | LIST PRICE \$ | TOTAL \$ |
|------|-----|---------------------|--|---------------|----------|
| A | 1 | XT 3054 PAN | Simple panel 30 X 54H | 249 | 249 |
| | 1 | [NR] | Option - Connectors on right | 0 | 0 |
| B | 1 | XT 3054 PAN | Simple panel 30 X 54H | 249 | 249 |
| | 1 | [LR] | Option - Connectors on right and left | 0 | 0 |
| C | 1 | XT 2454 PAN | Simple panel 24 X 54H | 203 | 203 |
| | 1 | [LR] | Option - Connectors on right and left | 0 | 0 |
| D | 1 | XT 3754 PANLR 3654 | Lshaped panel 37 X 54H X 36 X 54H | 624 | 624 |
| | 1 | [LR] | Option - Connectors on right and left | 0 | 0 |
| E | 1 | XT 3654 PAN | Simple panel 36 X 54H | 312 | 312 |
| | 1 | [LR] | Option - Connectors on right and left | 0 | 0 |
| F | 1 | XT 3754 PANLL 3654 | Lshaped panel 37 X 54H X 36 X 54H | 624 | 624 |
| | 1 | [LN] | Option - Connectors on left | 0 | 0 |
| G | 1 | XT 3078 TOP SPR | Rectangular surface 30 X 78, right space for wiring | 357 | 357 |
| H | 1 | ML CMPSPEC | Laminate panel 10"HX72"X5/8", edge all around | 186 | 186 |
| I | 3 | SFM-SN | Support for modesty panel SXMODPANEL Non adjustable Satin Nickel | 33 | 99 |
| J | 1 | XT 2472 TOP SPFR | Rectangular surface 24 X 72, front and right space for wiring | 264 | 264 |
| | 1 | XT 2072OK25 SPF N N | High pedestal 20 X 72 | 1617 | 1 617 |
| K | 1 | [H071BN] | Option - Handle, black | 0 | 0 |
| | 1 | [LKSN] | Option - Lock | 0 | 0 |

Typical Layouts



xtension-c007 (following)



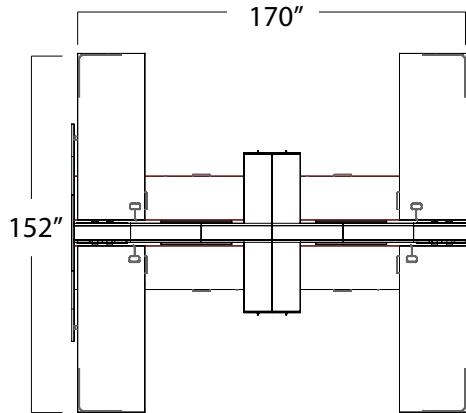
Laminate: Ohm
Metal: White and Chrome

Note: Fabrics are specified for informational purpose only and may be of different grades.

| ITEM | QTY | CODE | DESCRIPTION | LIST PRICE \$ | TOTAL \$ |
|--------------------|-----|--------------------|--|---------------|----------|
| | 1 | XT 201854 BBUF MGN | Bookcase with drawers | 1340 | 1 340 |
| L | 1 | [H071BN] | Option - Handle, black | 0 | 0 |
| | 1 | [LKSN] | Option - Lock | 0 | 0 |
| | 1 | XT 201854 ARHR MGN | Cabinet 20 X 18 X 54H with coat hook and 3 adjustable shelves | 899 | 899 |
| M | 1 | [H071BN] | Option - Handle, black | 0 | 0 |
| | 1 | [LKSN] | Option - Lock | 0 | 0 |
| N | 1 | XT 1842 TBPVH | Hanging tackboard 18H X 42, white hooks, Fabric : Grade 2 Custom | 337 | 337 |
| O | 2 | MDMUU04GCHR | Madrid chair with high back 29H, grade 2, chrome finish. | 636 | 1 272 |
| | | | | Total: | 8 632 |
| Accessories | | | | | |
| P | 1 | PATTE30SN | Square metal leg 28"H, Satin Nickel | 270 | 270 |
| Q | 3 | CNT02 | Cantilever support with space for cable tray | 56 | 168 |
| R | 1 | CNTC01 | Slender cantilever support | 23 | 23 |
| S | 1 | FP2BL | Metal junction plate 1-1/2" x 5-3/4" thick 3/32" to attach two surfaces together | 11 | 11 |
| T | 1 | IGS | Installation guide for surface supports | 116 | 116 |
| U | 2 | IGWM | Installation guide for 1 1/2" wire management space for surfaces | 46 | 92 |
| V | 2 | RSTF52 | Stiffener 52" | 88 | 176 |
| W | 2 | TSUP1812 | T support | 84 | 168 |
| | | | | Total: | 680 |

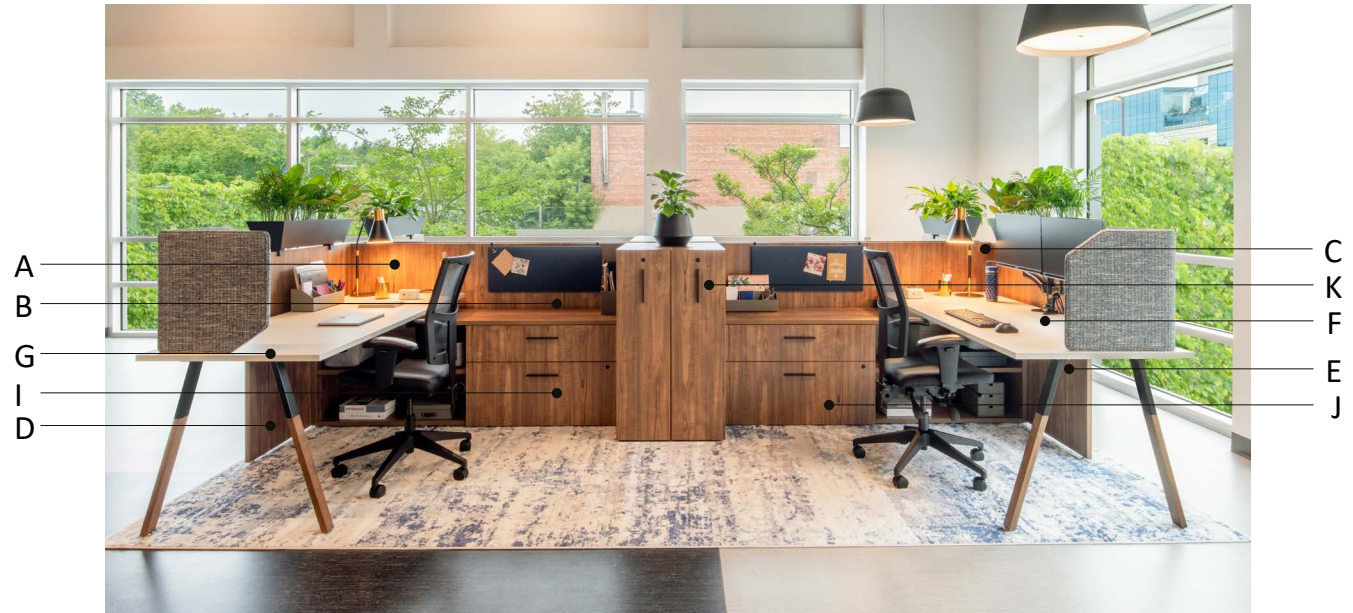
Typical Layouts

xtension-c009



Laminate: Ohm and Mink Grey
 Metal: Black
 Wood: Pecan

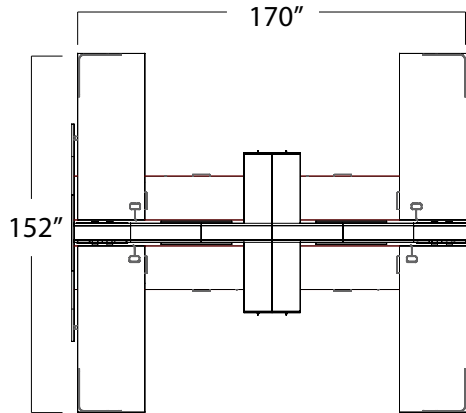
Note: Fabrics are specified for informational purpose only and may be of different grades.



| ITEM | QTY | CODE | DESCRIPTION | LIST PRICE \$ | TOTAL \$ |
|------|-----|----------------------|---|---------------|----------|
| A | 2 | XT 2442 PWL | Power wall 24 X 42H | 635 | 1 270 |
| | 2 | [AP2 BL] | Option - Electric box with cover plate, black | 426 | 852 |
| B | 4 | XT 3042 PWL | Power wall 30 X 42H | 693 | 2 772 |
| C | 2 | XT 3242 EPANC | End panel 32 X 42H | 208 | 416 |
| | 2 | [LR] | Option - Connectors on left and right | 0 | 0 |
| D | 2 | XT 3042 PAN | Simple panel 30 X 42 | 196 | 392 |
| | 2 | [NR] | Option - Connectors on right | 0 | 0 |
| E | 2 | XT 3042 PAN | Simple panel 30 X 42 | 196 | 392 |
| | 2 | [LN] | Option - Connectors on left | 0 | 0 |
| F | 2 | XT 3072 TOP SPFL | Rectangular surface 30 X 72, front and left space for wiring | 330 | 660 |
| G | 2 | XT 3072 TOP SPFR | Rectangular surface 30 X 72, front and right space for wiring | 330 | 660 |
| H | 4 | XT 2616 DRSUP | Layering Desk supports 3"H | 204 | 816 |
| | 2 | [H071BL] | Option - Handle, black | 0 | 0 |
| | 2 | XT 2072OK25 SPF N N | High pedestal | 1617 | 3 234 |
| I | 2 | [H071BL] | Option - Handle, black | 0 | 0 |
| | 2 | [LKBL] | Option - Lock | 0 | 0 |
| | 2 | XT 2072KO25 SPF N N | High pedestal | 1617 | 3 234 |
| J | 2 | [H071BL] | Option - Handle, black | 0 | 0 |
| | 2 | [LKBL] | Option - Lock | 0 | 0 |
| | 2 | XT 301242 SL01R MGLR | Sliding storage open at right | 2195 | 4 390 |
| K | 2 | [P1] | Option - Cutout for socket | 0 | 0 |
| | 2 | [H071BL] | Option - Handle, black | 0 | 0 |
| | 2 | [LKBL] | Option - Lock | 0 | 0 |

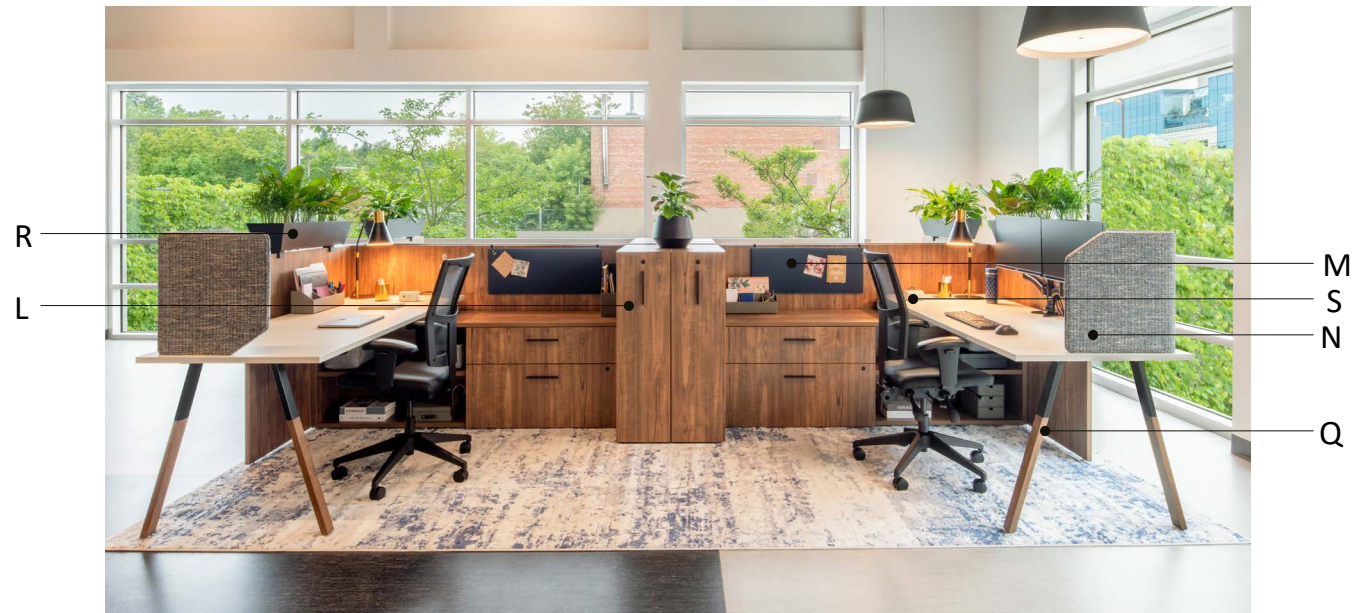
Typical Layouts

xtension-c009 (following)



Laminate: Ohm and Mink Grey
 Metal: Black
 Wood: Pecan

Note: Fabrics are specified for informational purpose only and may be of different grades.



| ITEM | QTY | CODE | DESCRIPTION | LIST PRICE \$ | TOTAL \$ |
|------|-----|----------------------|---|---------------|----------|
| | 2 | XT 301242 SL01L MGLR | Sliding storage open at left | 2195 | 4 390 |
| L | 2 | [P1] | Option - Cutout for socket | 0 | 0 |
| | 2 | [H071BL] | Option - Handle, black | 0 | 0 |
| | 2 | [LKBL] | Option - Lock | 0 | 0 |
| M | 4 | XT 1230 TBP BL | Hanging tackboard 12"HX30", black hooks, Fabric : Grade 2 | 313 | 1 252 |
| N | 4 | FSFD | Privacy corner screen. Fabric : Grade 2 | 468 | 1 872 |
| | | | | Total: | 26 602 |

Accessories

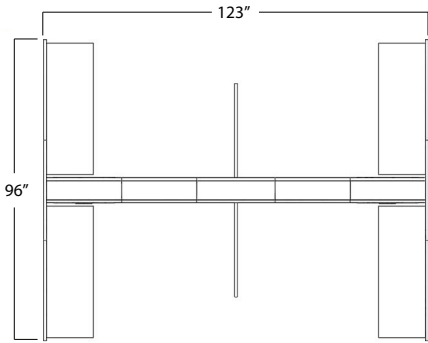
| | | | | | |
|---|---|------------|--|--------|-------|
| O | 4 | CNTC01 BL | Slender cantilever support - black | 23 | 92 |
| P | 8 | RSTF46 | Stiffener 46" | 88 | 704 |
| Q | 8 | RAWBL PN | Rectangular Angled Leg 2" x 1" x 28"H - Black with wood insert Pecan | 177 | 1 416 |
| R | 4 | LPLANTP BL | Metal planter box - black | 404 | 1 616 |
| S | 4 | BR1WH | Power centre - Burelé | 476 | 1 904 |
| T | 1 | IGS | Installation guide for surface supports | 116 | 116 |
| U | 2 | IGWM | Installation guide for 1 1/2" wire, management space for surfaces | 46 | 92 |
| | | | | Total: | 5 940 |

Electrical Accessories

| | | | | | |
|--|---|--------------|----------------------------------|--------|-------|
| | 1 | BE-PI72 | Corded power entry 72" (plug-in) | 224 | 224 |
| | 8 | BE-D20-C1-BL | Duplex | 47 | 376 |
| | 1 | BE-J216 | Junction cable 216" | 515 | 515 |
| | 2 | BE-J36 | Junction cable 36" | 141 | 282 |
| | 4 | BE-TELB-BL | Telecom plate | 5 | 20 |
| | 4 | BE-TELA-BL | Blank Telecom plate | 5 | 20 |
| | 4 | POR 03 | USB connectivity port | 88 | 352 |
| | 4 | POR 01 | RJ45, CAT 6 connectivity port | 142 | 568 |
| | 4 | SQU | USB port | 222 | 888 |
| | | | | Total: | 2 357 |

Typical Layouts

xtension-c010



Laminate: Vega
Metal: White

Note: Fabrics are specified for informational purpose only and may be of different grades.

The price of this layout includes two visitor armchairs.

| ITEM | QTY | CODE | DESCRIPTION | LIST PRICE \$ | TOTAL \$ |
|------|-----|-----------------------|---|---------------|----------|
| A | 2 | XT 3242 PAN NR | Simple panel 32" X 42"H, right connectors | 214 | 428 |
| B | 2 | XT 3242 EPANC LR NGR | End panel for power wall, extended on both sides 32" X 42"H, connectors on left and right | 208 | 416 |
| C | 2 | XT 3242 PAN LN | Simple panel 32" X 42"H, left connectors | 214 | 428 |
| D | 2 | XT 2442 PWL | Power wall 24" X 42", electric box in front and back | 635 | 1 270 |
| | 2 | [AP2 WH] | Option - Electric box with cover plate, white | 426 | 852 |
| E | 2 | XT 2442 PWL N | Power wall 24" X 42" | 635 | 1 270 |
| F | 1 | XT 2542 PWLX 3042 N N | X-shaped Power Wall 25"X42"H with dividing panels 30"X42"H | 947 | 947 |
| G | 4 | XT 1542 TOP SPN | Rectangular surface 15"X42"H | 96 | 384 |
| | | | | Total: | 5 995 |

Accessories

| | | | | | |
|---|---|------------|-------------------------|--------|-------|
| H | 8 | CNTSH WH | Shelf support, white | 69 | 552 |
| I | 3 | LPLANTP WH | Metal planter box white | 404 | 1 212 |
| | | | | Total: | 1 764 |

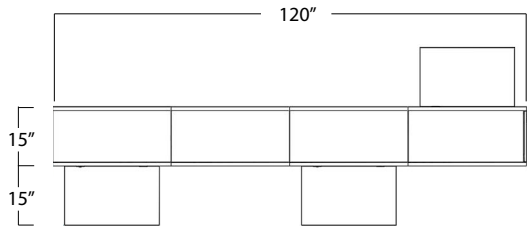
Electrical Accessories

| | | | | | |
|--|---|---------------|------------------------------------|-----|-------|
| | 2 | BE-D20-C-1-WH | Duplex | 53 | 106 |
| | 2 | BE-D20-C-2-WH | Duplex | 53 | 106 |
| | 2 | BE-D20-C-3-WH | Duplex | 53 | 106 |
| | 2 | BE-D20-C-4-WH | Duplex | 53 | 106 |
| | 8 | BE-TELB | Telecom plate | 5 | 40 |
| | 8 | POR 01 | RJ45, CAT 6 connectivity port | 142 | 1 136 |
| | 8 | POR 03 | USB connectivity port | 88 | 704 |
| | 1 | BE-HW-120 | Hardwired conduit power entry 120" | 255 | 255 |
| | 2 | BE-J-120 | Junction cable 120" | 277 | 554 |
| | 1 | BE-J18 | Junction cable 18" | 123 | 123 |

Typical Layouts



xtension-c011



Laminate: Vega
 Outlets: Dusk
 Metal: White

Note: Fabrics are specified for informational purpose only and may be of different grades.

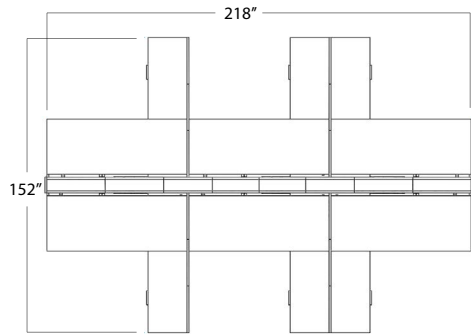
The price of this layout includes two visitor armchairs.

| ITEM | QTY | CODE | DESCRIPTION | LIST PRICE \$ | TOTAL \$ |
|--------------------|-----|-------------------|---|---------------|----------|
| A | 2 | XT 153042 USF | Island station | 751 | 1 502 |
| | 2 | [PL L WH] | Option - Cutout for sockets on left and 1 shelf on left, white accessories | 179 | 358 |
| B | 1 | XT 153042 USF N N | Island station | 751 | 751 |
| | 1 | XT 153042 USL0L | Island station | 1448 | 1 448 |
| C | 1 | [E1] | Option - Lock | 0 | 0 |
| | 1 | [PR R WH] | Option - Cutout for socket on right and 1 shelf on right, white accessories | 179 | 179 |
| | | | | Total: | 4 059 |
| Accessories | | | | | |
| D | 2 | SQE-120-JM | Electric plug, color dusk | 135 | 270 |
| E | 3 | SQU-72-JM | USB port, color dusk | 222 | 666 |
| F | 3 | LPLANTS WH | Metal planter box white | 376 | 1 128 |
| | | | | Total: | 2 064 |

Typical Layouts



xtension-c016



Laminate: Vega
Metal: White

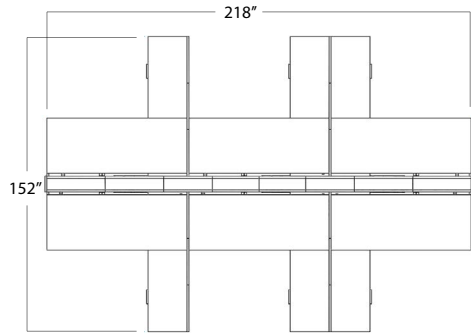
Note: Fabrics are specified for informational purpose only and may be of different grades.

| ITEM | QTY | CODE | DESCRIPTION | DISCOUNT \$ | TOTAL \$ |
|------|-----|-------------------|---|-------------|----------|
| A | 2 | XT 0842 EPAN | End panel for power wall 8 X 42H | 81 | 162 |
| | 2 | [NGR] | Option - Grommet | 0 | 0 |
| B | 2 | XT 3042 PWL N | Power wall 30 X 42H | 693 | 1 386 |
| C | 2 | XT 3042 PWL | Power wall 30 X 42H | 693 | 1 386 |
| | 2 | [AP2 WH] | Option - Electric box with cover plate, white | 426 | 852 |
| D | 2 | XT 2542 PWLX 2442 | X-shaped power wall 25 X 42H with dividing panel 24 X 42H | 947 | 1 894 |
| | 2 | [FB] | Option - Connectors on back and front | 0 | 0 |
| E | 1 | XT 2442 PWL N | Power wall 24 X 42H | 635 | 635 |
| F | 1 | XT 2442 PWL | Power wall 24 X 42H | 635 | 635 |
| | 1 | [AP2 WH] | Option - Electric box with cover plate, white | 426 | 426 |
| G | 4 | XT 2442 PAN | Simple panel 24 X 42H | 156 | 624 |
| | 4 | [LR] | Option - Connectors on right and left | 0 | 0 |
| H | 2 | XT 2442 PAN | Simple panel 24 X 42H | 156 | 312 |
| | 2 | [LN] | Option - Connectors on left | 0 | 0 |
| I | 2 | XT 2442 PAN | Simple panel 24 X 42H | 156 | 312 |
| | 2 | [NR] | Option - Connectors on right | 0 | 0 |
| J | 6 | XT 3072 TOP | Rectangular surface 30 X 72 | 330 | 1 980 |
| | 6 | [SPF] | Option - 1 1/2" space for wiring, front | 0 | 0 |
| K | 6 | XT 3028 ENDLEG | End leg 30 X 28H | 139 | 834 |
| L | 6 | XT 2612 TSUP | T-support 26 X 12H | 84 | 504 |
| | 3 | XT 2072OK25 | High pedestal 20 X 72 | 1617 | 4 851 |
| | 3 | [SPF] | Option - 1 1/2" surface for wiring, front | 0 | 0 |
| M | 3 | [LR] | Option - Full depth placket right and left | 0 | 0 |
| | 3 | [CR (GR1)] | Option - Cushion on right, grade 1 | 342 | 1 026 |
| | 3 | [H071WH] | Option - Handle, white | 0 | 0 |

Typical Layouts



xtension-c016 (Following)



Laminate: Vega
Metal: White

Note: Fabrics are specified for informational purpose only and may be of different grades.

| ITEM | QTY | CODE | DESCRIPTION | LIST PRICE \$ | TOTAL \$ |
|------|-----|-------------|------------------------------------|---------------|----------|
| N | 3 | XT 2072KO25 | High pedestal 20 X 72 | 1617 | 4 851 |
| | 3 | [SPF] | Option - Surface for wiring, front | 0 | 0 |
| | 3 | [LR] | Option - Full depth placket | 0 | 0 |
| | 3 | [CL (GR1)] | Option - Cushion, grade 1 | 342 | 1 026 |
| | 3 | [H071WH] | Option - Handle, white | 0 | 0 |
| | | | | Total: | 23 696 |

Accessories

| | | | | | |
|---|----|------------|---|--------|-------|
| O | 12 | CNTC01 WH | Cantilever support, white | 23 | 276 |
| P | 6 | CNT02 SN | Cantilever support, satin nickel | 56 | 336 |
| Q | 6 | CNTC02 WH | Cantilever support, white | 30 | 180 |
| R | 3 | LPLANTP WH | Metal planter box white | 404 | 1 212 |
| S | 6 | BR2WH | Branch unit | 610 | 3 660 |
| | 1 | IGS | Installation guide for surface supports | 116 | 116 |
| | 2 | IGWM | Installation guide for 1½" wire management space for surfaces | 46 | 92 |
| | | | | Total: | 5 872 |

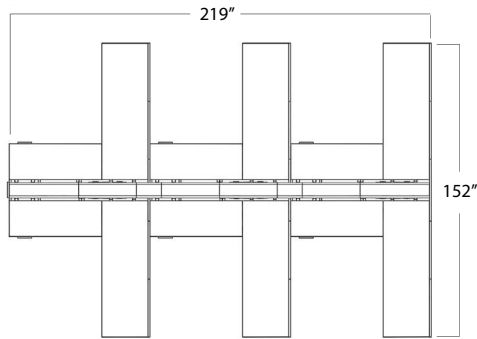
Electrical Accessories

| | | | | | |
|--|----|---------------|-------------------------------|--------|-------|
| | 3 | BE-D20-C-1-BL | Duplex 20A - Circuit 1 | 47 | 141 |
| | 3 | BE-D20-C-2-BL | Duplex 20A - Circuit 2 | 47 | 141 |
| | 3 | BE-D20-C-3-BL | Duplex 20A - Circuit 3 | 47 | 141 |
| | 3 | BE-D20-C-4-BL | Duplex 20A - Circuit 4 | 47 | 141 |
| | 1 | BE-HW120 | Hardwired conduit power entry | 255 | 255 |
| | 2 | BE-J72 | M/M Jumper 72" | 198 | 396 |
| | 2 | BE-J36 | M/M Jumper 36" | 141 | 282 |
| | 1 | BE-J18 | M/M Jumper 18" | 123 | 123 |
| | 12 | BE-TELBWH | Telecom plate | 5 | 60 |
| | 12 | POR 01 | Port RJ45 | 142 | 1 704 |
| | 6 | POR 02 | Port RJ11 | 42 | 252 |
| | 6 | POR 03 | Port USB | 88 | 528 |
| | | | | Total: | 3 741 |

May 22, 2023 | Canada

Typical Layouts

xtension-c019



Laminate: Vega
 Wood: Bark
 Metal: White

Note: Fabrics are specified for informational purpose only and may be of different grades.

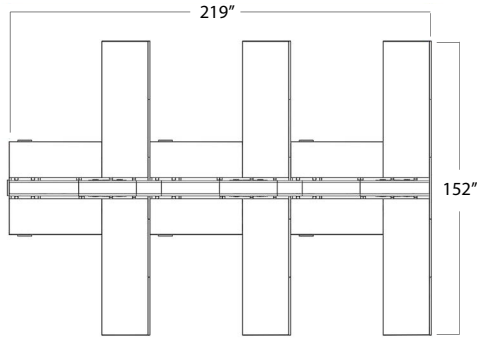


| ITEM | QTY | CODE | DESCRIPTION | PRICE LIST \$ | TOTAL \$ |
|------|-----|----------------------|---|---------------|----------|
| A | 1 | XT 0842 EPAN | End panel for power wall 8 X 42H | 81 | 81 |
| | 1 | [NGR] | Option - Grommet | 0 | 0 |
| B | 1 | XT 3654 PWL N | Power wall 36 X 54H | 809 | 809 |
| C | 2 | XT 3054 PWL | Power wall 30 X 54H | 780 | 1 560 |
| | 2 | [AP2 WH] | Option - Electric box with cover plate, white | 426 | 852 |
| D | 2 | XT 1354 PWLX 1254 | X-shaped power wall 13 X 54H with dividing panel 12 X 54H | 1074 | 2 148 |
| | 2 | [BF] | Option - Connectors on front and behind | 0 | 0 |
| E | 2 | XT 3054 PWL N | Power wall 30 X 54H | 780 | 1 560 |
| F | 1 | XT 3654 PWL | Power wall 36 X 54H | 809 | 809 |
| | 1 | [AP2 WH] | Option - Electric box with cover plate, white | 426 | 426 |
| G | 6 | XT 3054 PAN | Simple panel 30 X 54H | 249 | 1 494 |
| | 6 | [LR] | Option - Connectors on left and right | 0 | 0 |
| H | 3 | XT 3054 PAN | Simple panel 30 X 54H | 249 | 747 |
| | 3 | [LN] | Option - Connectors on left | 0 | 0 |
| I | 3 | XT 3054 PAN | Simple panel 30 X 54H | 249 | 747 |
| | 3 | [NR] | Option - Connectors on right | 0 | 0 |
| J | 1 | XT 3254 EPANC | End panel for power wall, extended on both sides | 260 | 260 |
| | 1 | [LR] | Option - Connectors on left | 0 | 0 |
| | 1 | [NGR] | Option - Grommet | 0 | 0 |
| K | 6 | XT 2048 TOP | Rectangular surface 20 X 48 | 147 | 882 |
| | 6 | [SPF] | Option - 1 1/2" space for wiring, front | 0 | 0 |
| L | 3 | XT EIND20 L | Independant E pedestal, full depth placket on left | 882 | 2 646 |
| | 3 | [H071WH] | Option - Handle, white | 0 | 0 |
| M | 3 | XT EIND20 R | Independant E pedestal, full depth placket on right | 882 | 2 646 |
| | 3 | [H071WH] | Option - Handle, white | 0 | 0 |
| N | 3 | XT 2472 TOP | Rectangular surface 24 X 72 | 264 | 792 |
| | 3 | [SPL] | Option - 1 1/2" space for wiring, left | 0 | 0 |
| O | 3 | XT 2472 TOP | Rectangular surface 24 X 72 | 264 | 792 |
| | 3 | [SPR] | Option - 1 1/2" space for wiring, right | 0 | 0 |
| P | 6 | XT 1842 TBP WH (GR1) | Hanging tackboard 18H X 42 white, grade 1 | 304 | 1 824 |

Typical Layouts



xtension-c019 (Following)



Laminate: Vega
Wood: Bark
Metal: White

Note: Fabrics are specified for informational purpose only and may be of different grades.

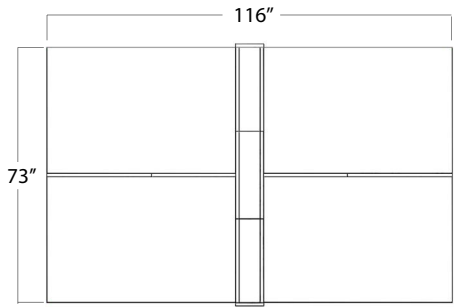


| ITEM | QTY | CODE | DESCRIPTION | LIST PRICE \$ | TOTAL \$ |
|-------------------------------|-----|---------------|--|---------------|--------------|
| Accessories | | | | | |
| Q | 12 | RAW WH | Legs, white | 177 | 2 124 |
| | 12 | [BK] | Option - wood color Bark | 0 | 0 |
| R | 12 | CNTC01 WH | Slender cantilever support 6'' - White | 23 | 276 |
| S | 6 | CNT01 | Cantilever support with space for cable tray - 16.5'' | 50 | 300 |
| T | 6 | CNT02 | Cantilever support with space for cable tray - 20.5'' | 56 | 336 |
| U | 6 | FP2BL | 2 flush plates with screws | 11 | 66 |
| V | 1 | DSG WH | Double-sided grommet - White | 23 | 23 |
| W | 5 | LPLANTP WH | Metal plater box on power wall - White | 404 | 2 020 |
| X | 1 | IGS | Installation guide for surface supports | 116 | 116 |
| Y | 2 | IGWM | Installation guide for 1½'' wire management space for surfaces | 46 | 92 |
| | | | | Total: | 5 353 |
| Electrical Accessories | | | | | |
| 3 | | BE-D20-C-1-WH | Duplex 20A - Circuit 1 | 53 | 159 |
| 3 | | BE-D20-C-2-WH | Duplex 20A - Circuit 2 | 53 | 159 |
| 3 | | BE-D20-C-3-WH | Duplex 20A - Circuit 3 | 53 | 159 |
| 3 | | BE-D20-C-4-WH | Duplex 20A - Circuit 4 | 53 | 159 |
| 1 | | BE-HW120 | Hardwired conduit power entry - 4 circuits | 255 | 255 |
| 1 | | BE-J18 | M/M jumper 18'' - 4 circuits 20A | 123 | 123 |
| 2 | | BE-J36 | M/M jumper 24'' - 4 circuits 20A | 141 | 282 |
| 1 | | BE-J78 | M/M jumper 78'' - 4 circuits 20A | 207 | 207 |
| 1 | | BE-J84 | M/M jumper 84'' - 4 circuits 20A | 219 | 219 |
| 12 | | BE-TELBWH | Telecom plate with 2 spaces for connection ports - White | 5 | 60 |
| 12 | | POR 01 | RJ45, CAT 6 connectivity port | 142 | 1 704 |
| 6 | | POR 02 | RJ11 connectivity port | 42 | 252 |
| 6 | | POR 03 | UBS connectivity port | 88 | 528 |
| | | | | Total: | 4 266 |

Typical Layouts



xtension-c022



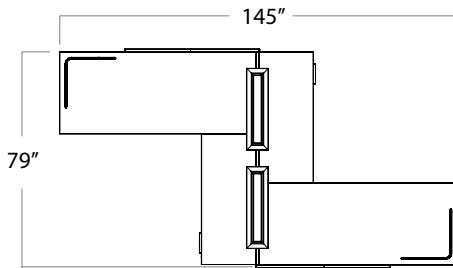
Laminate: Vega
Metal: Black

Note: Fabrics are specified for informational purpose only and may be of different grades.

| ITEM | QTY | CODE | DESCRIPTION | PRICE LIST \$ | TOTAL \$ |
|--------------------|-----|-------------------|---|---------------|----------|
| A | 1 | XT 3042 PAN | Simple panel 30 X 42H | 196 | 196 |
| | 1 | [NR] | Option - Connectors on right | 0 | 0 |
| B | 1 | XT 3042 PAN | Simple panel 30 X 42H | 196 | 196 |
| | 1 | [LN] | Option - Connectors on left | 0 | 0 |
| C | 1 | XT 2542 PWLX 2442 | X-shaped power wall 25 X 42H with dividing panel 24 X 42H | 947 | 947 |
| | 1 | [BF] | Option - Connectors on back and front | 0 | 0 |
| D | 2 | XT 0842 EPAN | End leg for power wall 8 X 42H | 81 | 162 |
| | 2 | [NGR] | Option - Grommet | 0 | 0 |
| E | 2 | XT 2442 PWL N | Power wall 24 X 42H | 635 | 1 270 |
| F | 4 | XT 3654 TOP SPN | Rectangular surface 36 X 54 | 312 | 1 248 |
| | | | | Total: | 4 019 |
| Accessories | | | | | |
| G | 4 | PATTEC36 BL | Square leg, black | 310 | 1 240 |
| H | 2 | LPLANTP BL | Metal planter box, white | 404 | 808 |
| I | 4 | CNT03 SN | Cantilever support | 64 | 256 |
| J | 8 | CNTC01 BL | Slender cantilever support | 23 | 184 |
| K | 1 | IGS | Installation guide for surface supports | 116 | 116 |
| | | | | Total: | 2 604 |

Typical Layouts

xtension-c023



Laminate: Vega
 Wood: Bark
 Metal: White

Note: Fabrics are specified for informational purpose only and may be of different grades.



| ITEM | QTY | CODE | DESCRIPTION | PRICE LISTE \$ | TOTAL \$ |
|------|-----|--------------------|--|----------------|----------|
| A | 2 | XT 2442 PAN | Simple panel 24 X 42H | 156 | 312 |
| | 2 | [NR] | Option - Connectors on right | 0 | 0 |
| B | 2 | XT 2542 PANLL 2442 | L-shaped panel 25 X 42H X 24 X 42H | 312 | 624 |
| | 2 | [LR] | Option - Connectors on left | 0 | 0 |
| C | 1 | XT 3042 PAN | Simple panel 30 X 42H | 196 | 196 |
| | 1 | [LR] | Option - Connectors on left | 0 | 0 |
| D | 2 | XT 3072 TOP SPF | Rectangular surface 30 X 72 | 330 | 660 |
| E | 2 | XT 2048 TOP SPN | Rectangular surface 20 X 48 | 147 | 294 |
| F | 2 | XT PGIND20R | Independant pedestal with 1 pigeonhole | 882 | 1 764 |
| | 2 | [H071WH] | Option - Handle, white | 0 | 0 |
| G | 2 | [LKSN] | Option - Lock | 0 | 0 |
| | 4 | RAWWH | Leg | 177 | 708 |
| H | 4 | [BK] | Option - Wood color Bark | 0 | 0 |
| | 2 | FSFD | Privacy corner screen | 441 | 882 |
| | | | | Total: | 5 440 |

Accessories

| | | | | | |
|---|---|------------|---|--------|-------|
| I | 2 | LPLANTP WH | Metal planter box, white | 404 | 808 |
| J | 2 | CNT01 | Cantilever support | 50 | 100 |
| K | 2 | CNT02 | Cantilever support | 56 | 112 |
| L | 4 | CNTC01 WH | Slender cantilever support | 23 | 92 |
| M | 1 | CT118 | Metal cable tray | 104 | 104 |
| N | 1 | DSG WH | Double-sided grommet 2.5" - White | 23 | 23 |
| O | 2 | FP2BL | Flush Plates | 11 | 22 |
| P | 1 | IGS | Installation guide for surface supports | 116 | 116 |
| Q | 2 | IGWM | Installation guide for 1½" wire management space for surfaces | 46 | 92 |
| | | | | Total: | 1 469 |

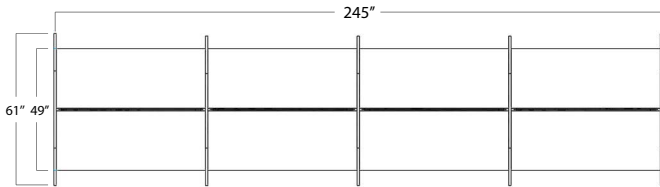
Electrical Accessories

| | | | | | |
|--|---|--------------|--|--------|-----|
| | 1 | BE-PI72 | Corded power entry | 224 | 224 |
| | 1 | BE-J120 | Junction cable 120" | 277 | 277 |
| | 2 | BE-KDHB-1-WH | Assembly of one double half power bloc | 208 | 416 |
| | | | | Total: | 917 |

Typical Layouts



xtension-c024



Laminate: Vega and Polar White
Metal: White

Note: Fabrics are specified for informational purpose only and may be of different grades.

| ITEM | QTY | CODE | DESCRIPTION | PRICE LIST \$ | TOTAL \$ |
|------|-----|-------------------|---|---------------|----------|
| A | 5 | XT 1542 PAN | Simple panel 15 X 42H | 99 | 495 |
| | 5 | [NR] | Option - Connectors on right | 0 | 0 |
| B | 5 | XT 1542 PAN | Simple panel 15 X 42H | 99 | 495 |
| | 5 | [LR] | Option - Connectors on left | 0 | 0 |
| C | 2 | XT 3142 PANT 3042 | T-shaped panel 31 X 42H | 393 | 786 |
| | 2 | [LRF] | Option - Connectors on right, left and front | 0 | 0 |
| D | 3 | XT 3142 PANX 3042 | X-shaped panel 30 X 42H | 589 | 1 767 |
| | 3 | [LRFB] | Option - Connectors on right, left, front and behind | 0 | 0 |
| E | 8 | XT 2460 TOP SPN | Rectangular surface 24 X 60 | 219 | 1 752 |
| | 8 | XT 1610 MOBSPU | Mobile pedestal with 1 fixed shelf and 1 utility drawer | 649 | 5 192 |
| F | 8 | [H071WH] | Option - Handle, white | 0 | 0 |
| | 8 | [LKSN] | Option - Lock | 0 | 0 |
| G | 4 | XT 0658 EAS WH | Acrylic divider on panel 6 X 58, White | 284 | 1 136 |
| | | | | Total: | 11 623 |

Accessories

| | | | | | |
|---|----|-----------|---|--------|-------|
| H | 16 | CNT02 SN | Cantilever support, Satin Nickel | 56 | 896 |
| I | 32 | CNTC01 WH | Slender cantilever support, White | 23 | 736 |
| J | 1 | IGS | Installation guide for surface supports | 116 | 116 |
| K | 8 | DSG WH | Double-sided grommet 2.5" - White | 23 | 184 |
| | | | | Total: | 1 932 |

Electrical Accessories

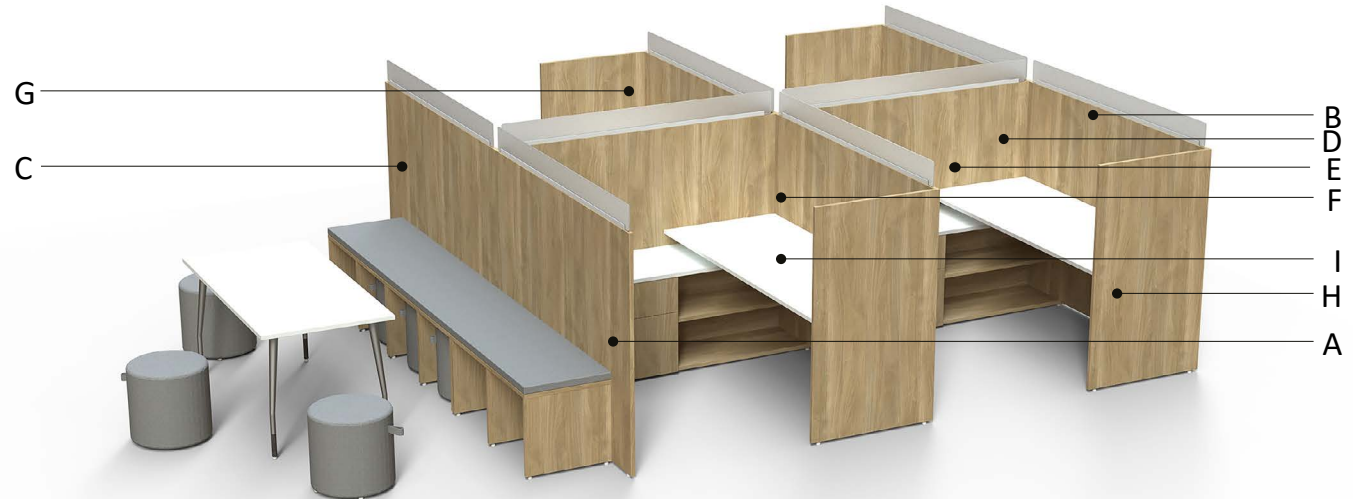
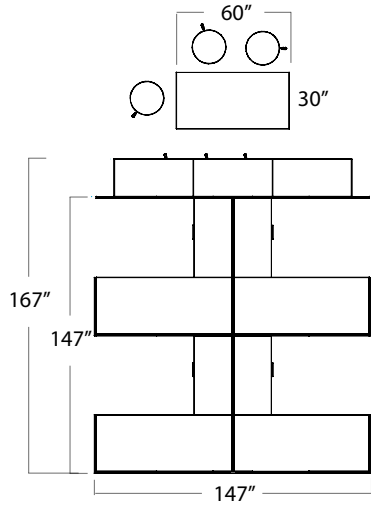
| | | | | | |
|--|---|--------------|--|-----|-------|
| | 1 | BE-HW96 | Hardwired start cable 96" | 218 | 218 |
| | 4 | BE-KDHB-4-WH | 2 double half power blocs with 4 white duplexes - 4 circuits | 405 | 1 620 |
| | 6 | BE-J72 | M/M jonction 72" | 198 | 1 188 |
| | 1 | BE-J24 | M/M jonction 24" | 130 | 130 |

Total: 3 156

Typical Layouts



xtension-c027



Laminate: Vega and White Polar
Metal: White and Satin Nickel

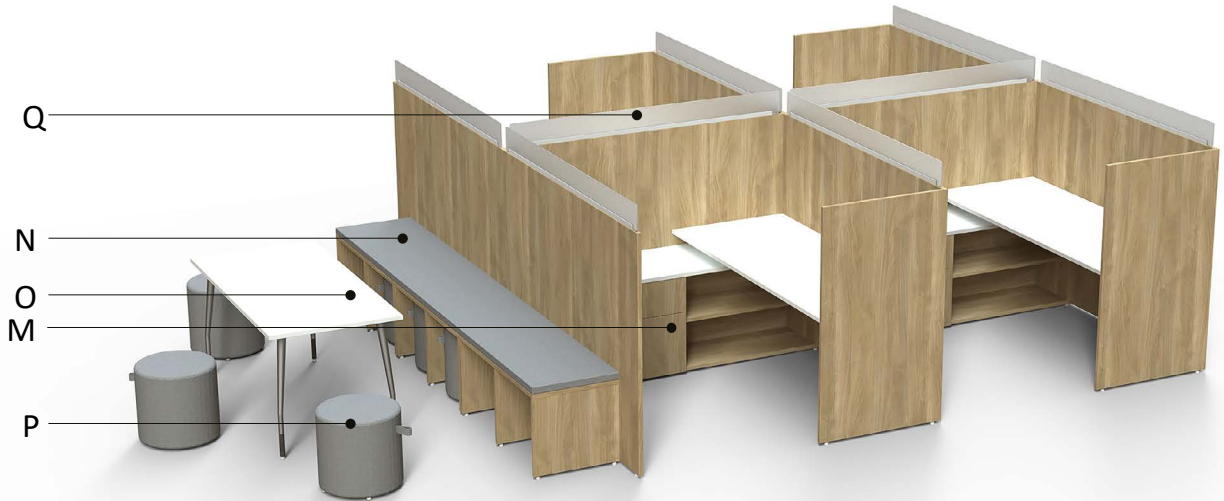
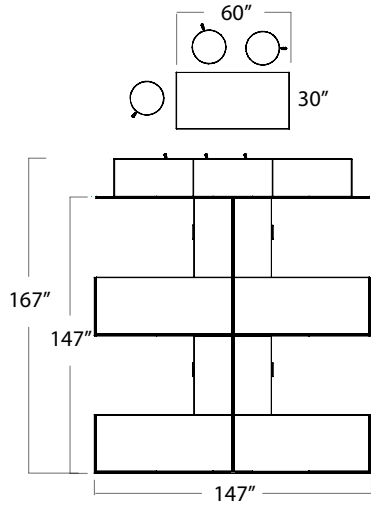
Note: Fabrics are specified for informational purpose only and may be of different grades.

| ITEM | QTY | CODE | DESCRIPTION | PRICE LIST \$ | TOTAL \$ |
|------|-----|--------------------|--|---------------|----------|
| A | 1 | XT 3254 PAN | Simple panel 32 X 54H | 277 | 277 |
| | 1 | [LN] | Option - Connectors on left | 0 | 0 |
| B | 6 | XT 3054 PAN | Simple panel 30 X 54H | 249 | 1 494 |
| | 6 | [LR] | Option - Connectors on right and left | 0 | 0 |
| C | 1 | XT 3254 PAN | Simple panel 32 X 54H | 277 | 277 |
| | 1 | [NR] | Option - Connectors on right | 0 | 0 |
| D | 2 | XT 2154 PANT 2054 | Panneau en T 21 X 54H X 20 X 54H | 341 | 682 |
| | 2 | [LRF] | Option - Connectors on right, left and front | 0 | 0 |
| E | 2 | XT 3254 PAN | Simple panel 32 X 54H | 277 | 554 |
| | 2 | [LR] | Option - Connectors on right and left | 0 | 0 |
| F | 1 | XT 2154 PANX 2054 | X-shaped panel 21 X 54H X 20 X 54H | 503 | 503 |
| | 1 | [LRFB] | Option - Connectors on right, left, behind and front | 0 | 0 |
| G | 2 | XT 3154 PANLL 3254 | L-shaped panel 31 X 54H X 32 X 54 | 624 | 1 248 |
| | 2 | [NR] | - | 0 | 0 |
| H | 2 | XT 3154 PANLR 3254 | L-shaped panel 31 X 54H X 32 X 54 | 624 | 1 248 |
| | 2 | [LN] | - | 0 | 0 |
| I | 2 | XT 3072 TOP SPFL | Rectangular surface 30 X 72 | 330 | 660 |
| J | 2 | XT 3072 TOP SPFR | Rectangular surface 30 X 72 | 330 | 660 |
| K | 4 | XT 2612 TSUP | T-support | 84 | 336 |

Typical Layouts



xtension-c027 (Following)

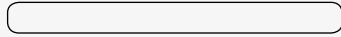


Laminate: Vega and White Polar
Metal: White and Satin Nickel

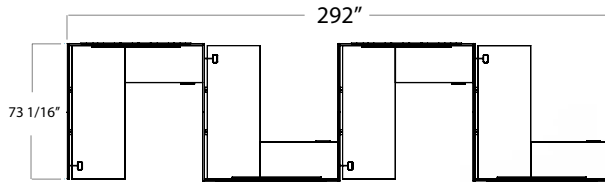
Note: Fabrics are specified for informational purpose only and may be of different grades.

| ITEM | QTY | CODE | DESCRIPTION | PRICE LIST \$ | TOTAL \$ |
|--------------------|-----|------------------|--|---------------|----------|
| L | 2 | XT 2072 KO25 SPF | High pedestal | 1617 | 3 234 |
| | 2 | [N] | Option - No cushion | 0 | 0 |
| | 2 | [H071WH] | Option - Handle, White | 0 | 0 |
| M | 2 | XT 2072 OK25 SPF | High pedestal | 1617 | 3 234 |
| | 2 | [N] | Option - No cushion | 0 | 0 |
| | 2 | [H071WH] | Option - Handle, White | 0 | 0 |
| N | 3 | XT 0242 BLEO | Bottomless open bench, grade 2 | 528 | 1 584 |
| O | 1 | OS 3060 THAT SN | Rectangular Hatley table | 737 | 737 |
| P | 6 | SS LEO18 | Circular bench | 629 | 3 774 |
| | 6 | [LOOP] | Option - Loop | 100 | 600 |
| Q | 8 | XT 0670 EAS SN | Acrylic divider on panel | 295 | 2 360 |
| | | | | Total: | 23 462 |
| Accessories | | | | | |
| R | 1 | IGS | Installation guide for surface supports | 116 | 116 |
| S | 4 | CNT02 SN | Cantilever support | 56 | 224 |
| T | 12 | CNTC01 SN | Slender cantilever support | 23 | 276 |
| U | 2 | IGWM | Installation guide for 1 1/2" wire management space for surfaces | 46 | 92 |
| | | | | Total: | 708 |

Typical Layouts



xtension-c028



Laminate: Vega
Metal: White

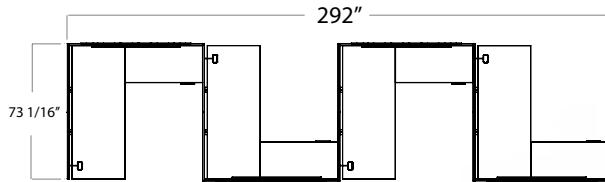
Note: Fabrics are specified for informational purpose only and may be of different grades.

| ITEM | QTY | CODE | DESCRIPTION | PRICE LIST \$ | TOTAL \$ |
|------|-----|--------------------|---|---------------|----------|
| A | 2 | XT 3654 PAN | Simple panel 36 X 54H | 312 | 624 |
| | 2 | [NR] | Option - Connectors on right | 0 | 0 |
| B | 4 | XT 3754 PANLR 3654 | Lshaped panel 37 X 54H X 36 X 54H | 624 | 2 496 |
| | 4 | [LR] | Option - Connectors on right and left | 0 | 0 |
| C | 3 | XT 3754 PANLL 3654 | Lshaped panel 37 X 54H X 36 X 54H | 624 | 1 872 |
| | 3 | [LR] | Option - Connectors on right and left | 0 | 0 |
| D | 4 | XT 2042 TOP SPN | Rectangular surface 20 X 42 | 128 | 512 |
| | 4 | XT 3072 TOP | Rectangular surface 30 X 72 | 330 | 1 320 |
| E | 4 | [SPF] | Option - 1 1/2" space for wiring, front | 0 | 0 |
| | 1 | XT PGIND20 | Independant pedestal with 1 pigeonhole | 882 | 882 |
| F | 1 | [LN] | Option - Full depth left leg and recessed right leg | 0 | 0 |
| | 1 | [H071WH] | Option - Handle, white | 0 | 0 |
| G | 3 | XT PGIND20 N | Independant pedestal with 1 pigeonhole | 882 | 2 646 |
| | 3 | [H071WH] | Option - Handle, white | 0 | 0 |
| | | | | Total: | 10 352 |

Typical Layouts



xtension-c028 (following)

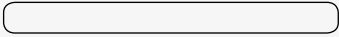


Laminate: Vega
Metal: White

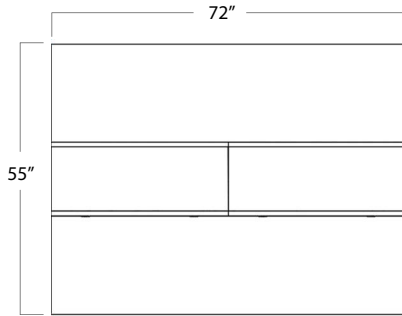
Note: Fabrics are specified for informational purpose only and may be of different grades.

| ITEM | QTY | CODE | DESCRIPTION | PRICE LIST \$ | TOTAL \$ |
|-------------------------------|-----|----------------|---|---------------|----------|
| H | 4 | XT 2448 TBP WH | Hanging tackboard | 362 | 1 448 |
| I | 4 | RAW WH | Leg, white | 177 | 708 |
| | 4 | [WWW] | Option - Wood color, white | 0 | 0 |
| J | 4 | BR1WH | Branch unit, white | 476 | 1 904 |
| K | 8 | ATF01 BL | Hexagonal felt tile, white | 58 | 464 |
| L | 14 | ATF01 LG | Hexagonal felt tile, light grey | 58 | 812 |
| M | 14 | ATF01 DG | Hexagonal felt tile, dark grey | 58 | 812 |
| N | 8 | FP2BL | Flush plates, black | 11 | 88 |
| O | 4 | CNT01 SN | Cantilever support, satin nickel | 50 | 200 |
| P | 4 | CNT02 SN | Cantilever support, satin nickel | 56 | 224 |
| Q | 12 | CNTC01 WH | Slender cantilever support, white | 23 | 276 |
| R | 4 | CNTC02 WH | Slender cantilever support, white | 30 | 120 |
| S | 2 | IGWM | Installation guide for 1 1/2" wire, management space for surfaces | 46 | 92 |
| T | 1 | IGS | Installation guide for surface supports | 116 | 116 |
| U | 3 | DSG WH | Double-sided grommet 2.5" - White | 23 | 69 |
| | | | | Total: | 7 333 |
| Electrical Accessories | | | | | |
| | 1 | BE-PI72 | Plug-in start cable 72" 20A | 224 | 224 |
| | 4 | BE-KDHB-1-WH | 1 double half power bloc with 2 white duplexes - 1 circuit | 208 | 832 |
| | 3 | BE-J216 | M/M junction 216" | 515 | 1 545 |
| | 3 | CT118 | Metal cable tray | 104 | 312 |
| | | | | Total: | 2 913 |

Typical Layouts



xtension-c031



Laminate: Vega
 Wood: Bark
 Metal: White

Note: Fabrics are specified for informational purpose only and may be of different grades.

| ITEM | QTY | CODE | DESCRIPTION | PRICE LIST \$ | TOTAL \$ |
|------|-----|-----------------|--|---------------|----------|
| | 2 | XT 153642 USF | Island Station 15 X 36 X 42H | 774 | 1 548 |
| A | 2 | [PLR] | Option - Cutout for socket, left and right | 0 | 0 |
| B | 1 | XT 2072 TOP SPN | Rectangular surface 20 X 72 | 219 | 219 |
| | | | | Total: | 1 767 |

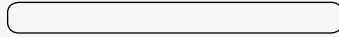
Accessories

| | | | | | |
|---|---|-----------|---|--------|-------|
| C | 4 | RAWWH | Leg, white metal | 177 | 708 |
| | 4 | [BK] | Option - Wood color Bark | 0 | 0 |
| D | 2 | CNT01 SN | Cantilever support | 50 | 100 |
| E | 4 | CNTC01 WH | Slender cantilever support | 23 | 92 |
| F | 1 | IGS | Installation guide for surface supports | 116 | 116 |
| | | | | Total: | 1 016 |

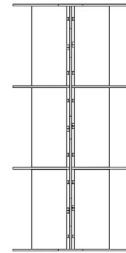
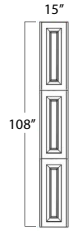
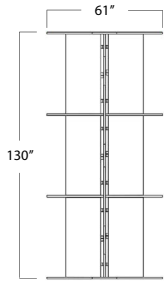
Electrical Accessories

| | | | | | |
|--|---|--------------|--|--------|-------|
| | 4 | SQE-120-C | Electric plug, black | 135 | 540 |
| | 4 | SQU-72-C | USB port, black | 222 | 888 |
| | 1 | BE-PI72 | Plug-in start cable 72" 20A | 224 | 224 |
| | 2 | BE-KDHB-1-BL | 1 double half power bloc with 2 black duplexes 1 circuit | 197 | 394 |
| | 1 | BE-J42 | M/M jumper 42" | 151 | 151 |
| | | | | Total: | 2 197 |

Typical Layouts



xtension-c033



Laminate: Vega
Metal: White

Note: Fabrics are specified for informational purpose only and may be of different grades.

| ITEM | QTY | CODE | DESCRIPTION | PRICE LIST \$ | TOTAL \$ |
|------|-----|-------------------|--|---------------|----------|
| A | 4 | XT 2442 PAN | Simple panel 24 X 42H | 156 | 624 |
| | 4 | [NR] | Option - Connectors on right | 0 | 0 |
| B | 4 | XT 2442 PAN | Simple panel 24 X 42H | 156 | 624 |
| | 4 | [LN] | Option - Connectors on left | 0 | 0 |
| C | 1 | XT 1342 PANT 1242 | T-shaped panel 13 X 42H X 12 X 42H | 156 | 156 |
| | 1 | [LRF] | Option - Connectors on left, right and front | 0 | 0 |
| D | 4 | XT 1542 PAN | Simple panel 15 X 42H | 99 | 396 |
| | 4 | [LR] | Option - Connectors on left and right | 0 | 0 |
| E | 2 | XT 1242 PAN | Simple panel 12 X 42H | 81 | 162 |
| | 2 | [LR] | Option - Connectors on left and right | 0 | 0 |
| F | 4 | XT 3142 PANX 3042 | X-shaped panel 31 X 42H X 30 X 42H | 589 | 2 356 |
| | 4 | [LR] | Option - Connectors on left and right | 0 | 0 |
| G | 12 | XT 2042TOP | Rectangular surface 20 X 42 | 128 | 1 536 |
| | 12 | [SPF] | Option - 1 1/2" space for wiring | 0 | 0 |
| H | 3 | XT 153654 USF N N | Island Station 15 X 36 X 54H | 820 | 2 460 |
| | 3 | [WH] | Option - White metal | 0 | 0 |
| | | | | Total: | 8 314 |

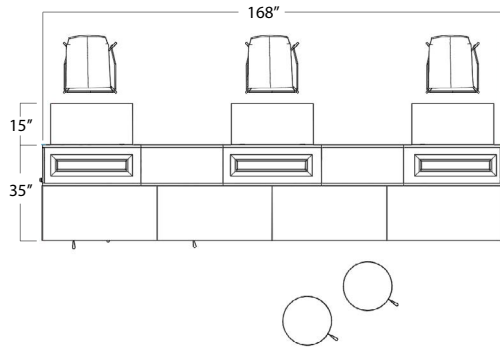
Accessories

| | | | | | |
|---|----|------------|--|--------|-------|
| I | 1 | IGS | Installation guide for surface supports | 116 | 116 |
| J | 2 | IGWM | Installation guide for 1 1/2" wire management space for surfaces | 46 | 92 |
| K | 72 | CNTC01 WH | Slender cantilever support, white | 23 | 1 656 |
| L | 3 | LPLANTP WH | Metal planter box white | 404 | 1 212 |
| | | | | Total: | 3 076 |

Typical Layouts



xtension-c034



Laminate: Vega
Metal: White

Note: Fabrics are specified for informational purpose only and may be of different grades.

| ITEM | QTY | CODE | DESCRIPTION | PRICE LIST \$ | TOTAL \$ |
|-------------------------------|-----|-----------------------|---|---------------|----------|
| A | 1 | XT 153654 USLOR E2 WH | Island Station with lockers 15 X 36 X 54H lock E2 | 1828 | 1 828 |
| | 1 | [PL] | Option - Cutout for socket on left | 0 | 0 |
| | 1 | [L] | Option - Shelf on left | 179 | 179 |
| B | 1 | XT 153654 USLOR E2 WH | Island Station with lockers 15 X 36 X 54H lock E2 | 1828 | 1 828 |
| | 1 | [PR] | Option - Cutout for socket on right | 0 | 0 |
| | 1 | [R] | Option - Shelf on right | 179 | 179 |
| C | 2 | XT 153054 USF | Island Station 15 X 30 X 54H | 797 | 1 594 |
| D | 1 | XT 153654 USF WH | Island Station 15 X 36 X 54H | 820 | 820 |
| | 1 | [PL] | Option - Cutout for socket on left | 0 | 0 |
| | 1 | [L] | Option - Shelf on left | 179 | 179 |
| E | 4 | XT 2042 BLEO (GR1) | Bottomless open bench, grade 1 | 495 | 1 980 |
| F | 8 | SS LEO18 (GR1) | Circular bench, grade 1 | 601 | 4 808 |
| | 8 | [LOOP] | Option - Loop handle | 100 | 800 |
| G | 3 | MDMUU04GCHR | Madrid chair high back | 636 | 1 908 |
| | | | | Total: | 16 103 |
| Accessories | | | | | |
| H | 3 | LPLANTP WH | Metal planter box, white | 404 | 1 212 |
| | | | | Total: | 1 212 |
| Electrical Accessories | | | | | |
| | 2 | SQE-120-JM | Electric plug - Dusk | 135 | 270 |
| | 2 | SQU-72-JM | USB port - Dusk | 222 | 444 |
| | 1 | F-714 | Power bar | 118 | 118 |
| | | | | Total: | 832 |