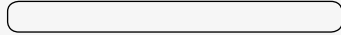


VOLT

Typical Layouts
CANADA 2023



logiflex

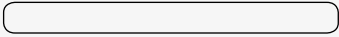


Product Map

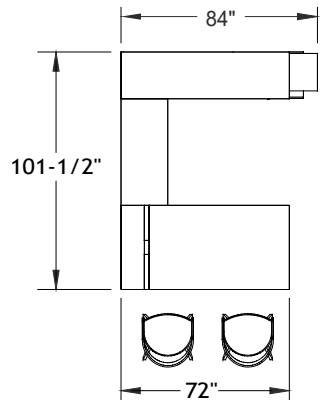
Volt

p. 3

Typical Layouts



volt-c001



Laminate: Gris saule and Natural Maple
 Bois: Blé doré
 Outlets: Dusk
 Fabric: Mayer Fabrics - Galveston Straw

Note: Fabrics are specified for informational purpose only and may be of different grades. Typical pricing is based on grade 2 fabric.

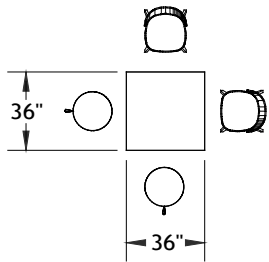
The price of this layout includes two visitor armchairs.

ITEM	QTY	CODE	DESCRIPTION	LIST PRICE \$	TOTAL \$
	1	VOZ 3672 TPMW	Rectangular table 36" x 72" x 29"H - Wood modesty	2 792	2 792
A	1	[ZIP1]	Option - Leg with cable management and power bar	168	168
	1	[GRR]	Option - Wood surface grommet	273	273
	1	[PU]	Option - Power outlet cutout	0	0
B	1	VO 2048 BRB	Bridge 20" x 48"	425	425
C	1	VO 2078 SDR	Secondary desk 20" x 78" x 25"H	720	720
	1	[OH]	Power Outlet Cutout	0	0
D	1	VO 203016 IIND WD	Independent pedestal 20" x 30" x 16"H with 2 utility drawers	1 286	1 286
	1	[LKBL]	Option - Lock	43	43
				Total:	5 707
Seating					
E	1	-1	Chaise Cyrus - Grade 2	780	780
F	2	MN AC S	Milan - Armchair with plywood back - Grade 2	1 242	2 484
				Total:	3 264
Electrical Accessories					
	2	[SQE]	Electric plugs	135	270
	1	[SQU]	USB port	222	222
				Total:	492

Typical Layouts



volt-c002



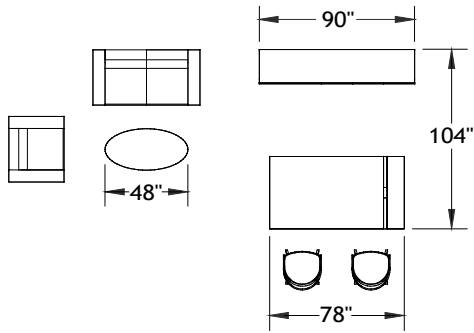
Laminate: Gris saule and Natural Maple
 Wood: Golden Wheat
 Outlets: Navy
 Fabric: Mayer Fabrics - Galveston Straw and Hunter

Note: Fabrics are specified for informational purpose only and may be of different grades. Typical pricing is based on grade 2 fabric.

ITEM	QTY	CODE	DESCRIPTION	LIST PRICE \$	TOTAL \$
A	1	VOZ 36 TC	Square table 36" x 29"H	2 287	2 287
	1	[P4]	Option - Power outlet cutout	0	0
				Total:	2 287
Seating					
B	2	MN CH S	Milan - Chair with plywood back - Grade 2	1 053	2 106
C	2	SS LEO18	Leo - Circular bench - Grade 2	629	1 258
	2	[LOOP]	Option - Loop handle	110	220
				Total:	3 584
Electrical Accessories					
	2	[SQE]	Electric plug	135	270
	2	[SQU]	USB port	222	444
				Total:	714

Typical Layouts

volt-c003



Laminate: Chiffon
 Wood: Bark
 Outlets: Black
 Fabric: Mayer Fabrics - Galveston Ground
 Logiflex - Santiago Steel Grey

Note: Fabrics are specified for informational purpose only and may be of different grades. Typical pricing is based on grade 2 fabric.

The price of this layout includes two visitor armchairs.



ITEM	QTY	CODE	DESCRIPTION	LIST PRICE \$	TOTAL \$
	1	VOZ 4278 T	Rectangular table 42" x 78" x 29"H	2 435	2 435
	1	[ZIP1]	Option - Leg with cable management and power bar	168	168
A	1	[GRL]	Option - Wood insert with grommet	273	273
	1	[PU]	Option - Power Outlet Cutout	0	0
	1	[PV]	Option - Power Outlet Cutout	0	0
B	1	VO 201828 HIND WD	Independent pedestal 20" x 18" x 28"H with trash cans	1 200	1 200
C	1	VO 203628 ARIND WD	Independent cabinet 20" x 36" x 28"H with two doors	1 068	1 068
D	1	VO 203628 KIND WD	Independent pedestal 20" x 36" x 28"H with filing cabinet	1 538	1 538
E	1	VO 2090 TPED	Top for independent pedestals 20" x 90"	265	265
				Total:	6 947

Seating and Table

F	2	MN BAC B	Milan Bold - Armchair with plywood back - Grade 2	1 053	2 106
G	1	-1	Cyrus chair - Grade 2	780	780
H	1	LFW 2448 ELWL16	Occasional table 24" x 48" x 16"H	727	727
I	1	SS 5020 BWL	Bulexi - Loveseat - Grade 2	3 515	3 515
J	1	SS 5010 BWL	Bulexi - Armchair - Grade 2	2 500	2 500
				Total:	9 628

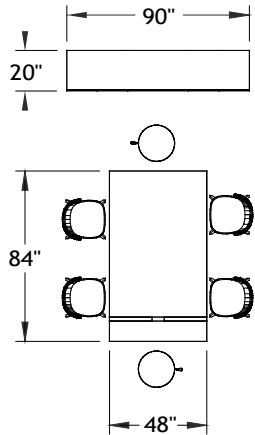
Electrical Accessories

	2	[SQE]	Electric plug	135	270
	2	[SQU]	USB port	222	444
				Total:	714

Typical Layouts



volt-c004



Laminate: Driftwood
 Wood: Chestnut
 Outlets: Black
 Fabric: Logiflex - Foundation Mud
 Mayer Fabrics - Galveston Oxblood

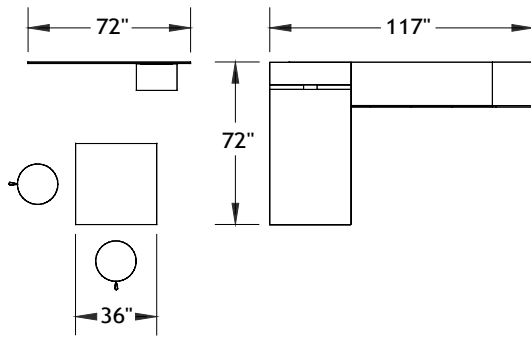
Note: Fabrics are specified for informational purpose only and may be of different grades. Typical pricing is based on grade 2 fabric.

ITEM	QTY	CODE	DESCRIPTION	LIST PRICE \$	TOTAL \$
	1	VOZ 4884 T	Rectangular table 48" x 84" x 29"H	2 479	2 479
A	1	[ZIP1]	Option - Leg with cable management and power bar	168	168
	1	[GRR]	Option - Wood insert with grommet	273	273
	1	[PU]	Option - Power Outlet Cutout	0	0
	1	[PV]	Option - Power Outlet Cutout	0	0
B	1	VO 203028 ARIND WD	Independent cabinet 20" x 30" x 28"H with two doors	1 000	1 000
C	1	VO 203028 KIND WD	Independent pedestal 20" x 30" x 28"H with filing cabinet	1 507	1 507
D	1	VO 201528 GIND WD	Independent pedestal 20" x 15" x 28"H with file drawer	1 134	1 134
E	1	VO 201528 HIND WD	Independent pedestal 20" x 15" x 28"H with trash cans	1 189	1 189
F	1	VO 2090 TPED	Top for independent pedestals 20" x 90"	265	265
				Total:	8 015
Seating					
G	4	MN CHU S	Milan - Chair with upholstered back - Grade 2	1 147	4 588
H	2	SS LEO18	Leo - Circular bench - Grade 2	629	1 258
	2	[LOOP]	Option - Loop handle	110	220
				Total:	6 066
Electrical Accessories					
	2	[SQE]	Electric plug	135	270
	2	[SQU]	USB port	222	444
				Total:	714

Typical Layouts



volt-c006



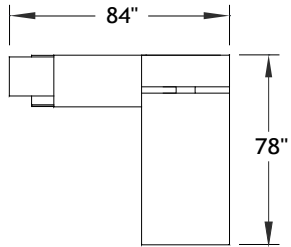
Laminate: Natural Maple
 Top: Carbon (Monochrom)
 Wood: Bark
 Outlets: Dusk
 Fabric: Logiflex - Foundation Wind Chime

ITEM	QTY	CODE	DESCRIPTION	LIST PRICE \$	TOTAL \$
	1	VOMZ 3672 FTLPMF	Layering table 36" x 72" x 29"H - Felt modesty	3 158	3 158
A	1	[GRR]	Option - Wood insert with grommet	273	273
	1	[PU]	Option - Power Outlet Cutout	0	0
	1	[PV]	Option - Power Outlet Cutout	0	0
B	1	VO 1824 BACKL	Back panel 18" x 24"H	125	125
C	1	VO 203624 ARIND WD	Independent cabinet 20" x 36" x 24"H with two doors	995	995
	1	[MGLR]	Option - Grommet	0	0
D	1	VO 201824 GIND WD	Independent pedestal 20" x 18" x 24"H with file drawer	1 096	1 096
	1	[MGLR]	Option - Grommet	0	0
	1	VO 201824 HIND WD	Independent pedestal 20" x 18" x 24"H with trash cans	1 014	1 014
E	1	[EM]	Option - Electrical wire management	0	0
	1	[MGRL]	Option - Grommet	0	0
F	1	VO 2090 TPED	Top for independent pedestals 20" x 90"	265	265
G	1	VO 201866 VR WD	Wardrobe 20" x 18" x 66"H with one door	1 244	1 244
	1	VOZ 36 TC	Square table 36" x 29"H	3 209	3 209
H	1	[ZIP1]	Option - Leg with cable management and power bar	168	168
	1	[P4]	Option - Power outlet cutout	0	0
I	1	VO 3672 WP	Wall panel 36" x 72"	286	286
J	2	VO WS	Wall shelves	373	746
				Total:	12 579
Seating					
K	2	SS LEO18	Leo - Circular bench - Grade 2	629	1 258
	2	[LOOP]	Option - Loop handle	110	220
				Total:	1 478
Electrical Accessories					
	4	[SQE]	Electric plug	135	540
	4	[SQU]	USB port	222	888
	1	PBL	Power bar	61	61
				Total:	1 489

Typical Layouts



volt-c007



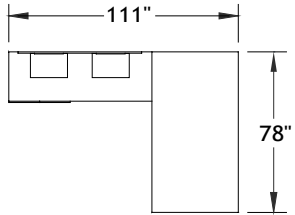
Laminate: Chiffon
 Wood: Bark
 Outlets: Dusk

ITEM	QTY	CODE	DESCRIPTION	LIST PRICE \$	TOTAL \$
	1	VOZ 3678 FTR	Layering table 36" x 78" x 29"H	2 135	2 135
A	1	[GRL]	Option - Wood insert with grommet	273	273
	1	[PU]	Option - Power Outlet Cutout	0	0
	1	[PV]	Option - Power Outlet Cutout	0	0
B	1	VO 2072 SDL	Secondary desk 20" x 72" x 25"H	699	699
	1	[OH]	USB port	0	0
C	1	VO 203016 IIND WD	Independent pedestals 20" x 30" x 16"H with utility drawer	1 286	1 286
				Total:	4 393
Electrical Accessories					
	2	[SQE]	Electric plug	135	270
	3	[SQU]	USB port	222	666
				Total:	936

Typical Layouts



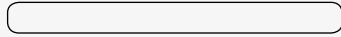
volt-c008



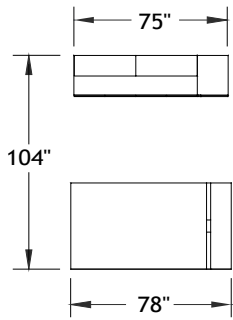
Laminate: Chiffon
 Wood: Bark
 Outlets: Dusk

ITEM	QTY	CODE	DESCRIPTION	LIST PRICE \$	TOTAL \$
A	1	VOZ 4278TPMW	Rectangular table 42" x 78" x 29"H - Wood modesty	2 832	2 832
	1	[PU]	Option - Power Outlet Cutout	0	0
B	1	VO 2472 BRB	Bridge 24" x 72"	579	579
C	1	VO 243024 ARIND WD	Independent cabinet 24" x 30" x 24"H with two doors	952	952
D	1	VO 2460 WP	Wall panel 24" x 60"	214	214
E	2	VO WS	Wall shelves	373	746
				Total:	5 323
Electrical Accessories					
	2	[SQU]	USB port	222	444
				Total:	444

Typical Layouts



volt-c009



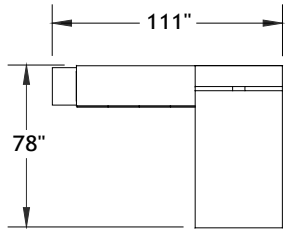
Laminate: Chiffon
 Wood: Bark
 Felt: Dark Gray
 Outlets: Dusk

ITEM	QTY	CODE	DESCRIPTION	LIST PRICE \$	TOTAL \$
	1	VOZ 4278TPMF	Rectangular table 42" x 78" x 29"H - Felt modesty	2 832	2 832
	1	[ZIP1]	Option - Leg with cable management and power bar	168	168
A	1	[GRL]	Option - Wood insert with grommet	273	273
	1	[PU]	Option - Power Outlet Cutout	0	0
	1	[PV]	Option - Power Outlet Cutout	0	0
B	1	VO 201516 HIND WD	Independent pedestal 20" x 15" x 16"H with trash cans	819	819
C	1	VO 201516 GIND WD	Independent pedestal 20" x 15" x 16"H with trash cans	1 044	1 044
D	1	VO 203016 ARIND WD	Independent cabinet 20" x 30" x 16"H with two doors	898	898
E	1	VO 201554 VR WD	Wardrobe 20" x 15" x 54"H with one door	1 127	1 127
F	1	VO 2060TPED	Top for independent pedestals 20" x 60"	175	175
G	2	VO 103010 HOW	Wall hutch 10" x 30" x 10"H	437	874
				Total:	8 210
Electrical Accessories					
	2	[SQE]	Electric plug	135	270
	2	[SQU]	USB port	222	444
				Total:	714

Typical Layouts



volt-c010

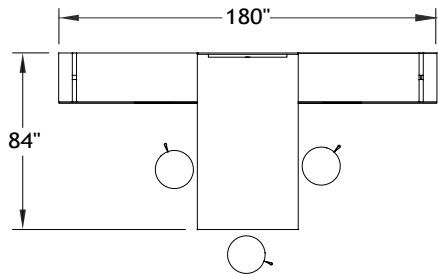


Laminate: Chiffon
 Wood: Bark
 Outlets: Dusk

ITEM	QTY	CODE	DESCRIPTION	LIST PRICE \$	TOTAL \$
A	1	VOZ 4278 FTRPMW	Layering table 42" x 78" x 29"H - Wood modesty	2 552	2 552
	1	[GRL]	Option - Wood insert with grommet	273	273
	1	[PU]	Option - Power Outlet Cutout	0	0
	1	[PV]	Option - Power Outlet Cutout	0	0
B	1	VO 193024 LEGR	Corner leg 19" x 30" x 24"H	249	249
	1	VO 203024 ARIND WD	Independent cabinet 20" x 30" x 24"H with two doors	938	938
C	1	[EM]	Option - Electrical wire management	0	0
	1	[MGRR]	Option - Grommet	0	0
D	1	VO 201524 GIND WD	Independent pedestal 20" x 15" x 24"H with file drawer	1 085	1 085
E	1	VO 201524 HIND WD	Independent pedestal 20" x 15" x 24"H with trash cans	1 005	1 005
F	1	VO 2090 TPED	Top for independent pedestals 20" x 90"	265	265
G	2	VO WS	Wall shelves	373	746
				Total:	7 113
Electrical Accessories					
	2	[SQE]	Electric plug	135	270
	2	[SQU]	USB port	222	444
				Total:	714

Typical Layouts

volt-c011



Laminate: Chiffon
 Wood: Bark
 Outlets: Dusk
 Fabric: Logiflex - Foundation Mud

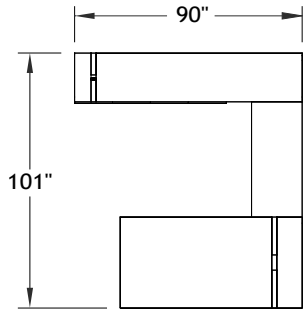
Note: Fabrics are specified for informational purpose only and may be of different grades. Typical pricing is based on grade 2 fabric.

ITEM	QTY	CODE	DESCRIPTION	LIST PRICE \$	TOTAL \$
	1	VOZ 4884 FTR	Layering table 48" x 84" x 29"H	2 603	2 603
A	1	[PU]	Option - Power Outlet Cutout	0	0
	1	[PV]	Option - Power Outlet Cutout	0	0
B	1	VO 1824 BACKR	Back panel 18" x 24"H	125	125
	1	VO 243624 ARIND WD	Independent cabinet 24" x 36" x 24"H with two doors	1 010	1 010
C	1	[EM]	Option - Electrical wire management	0	0
	1	[MGRR]	Option - Grommet	0	0
D	1	VO 243624 KIND WD	Independent pedestal 24" x 36" x 24"H with filing cabinet	1 355	1 355
	1	VO 2490 TPED	Top for independent pedestals 24" x 90"	316	316
E	1	[GRL]	Option - Wood insert with grommet	273	273
F	1	VO 243624 KIND WD	Independent pedestal 24" x 36" x 24"H with filing cabinet	1 355	1 355
	1	VO 243624 ARIND WD	Independent cabinet 24" x 36" x 24"H with two doors	1 010	1 010
G	1	[EM]	Option - Electrical wire management	0	0
	1	[MGRL]	Option - Grommet	0	0
H	1	VO 1824 BACKL	Back panel 18" x 24"H	125	125
	1	VO 2490 TPED	Top for independent pedestals 24" x 90"	316	316
I	1	[GRR]	Option - Wood insert with grommet	273	273
J	1	VO 3648 WP	Wall panel 24" x 60"	232	232
				Total:	8 993
Seating					
K	3	SS LEO18	Leo - Circular bench - Grade 2	629	1 887
				Total:	1 887
Electrical Accessories					
	2	[SQE]	Electric plug	135	270
	2	[SQU]	USB port	222	444
				Total:	714

Typical Layouts



volt-c012



Laminate: Chiffon
 Wood: Bark
 Outlets: Dusk

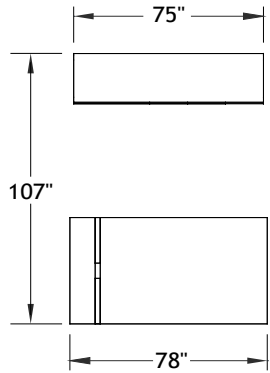
Note: Fabrics are specified for informational purpose only and may be of different grades. Typical pricing is based on grade 2 fabric.

ITEM	QTY	CODE	DESCRIPTION	LIST PRICE \$	TOTAL \$
	1	VOZ 3672 TPMW	Rectangular table 36" x 72" x 29"H - Wood modesty	2 792	2 792
A	1	[GRL]	Option - Wood insert with grommet	273	273
	1	[PU]	Option - Power Outlet Cutout	0	0
	1	[PV]	Option - Power Outlet Cutout	0	0
B	1	VO 2048 BRB	Bridge 20" x 48"	425	425
C	1	VO LEGR 193024	Corner leg 19" x 30" x 24"H	249	249
D	1	VO 201524 GIND	Independent pedestal 20" x 15" x 24"H with file drawer	1 085	1 085
E	1	VO 203024 ARIND	Independent cabinet 20" x 30" x 24"H with two doors	938	938
F	1	VO 201524 HIND	Independent pedestal 20" x 15" x 24"H with trash cans	1 005	1 005
G	1	VO 2090 TPED	Top for independent pedestals 20" x 90"	265	265
				Total:	7 032
Electrical Accessories					
	2	[SQE]	Electric plug	135	270
	2	[SQU]	USB port	222	444
				Total:	714

Typical Layouts



volt-c013



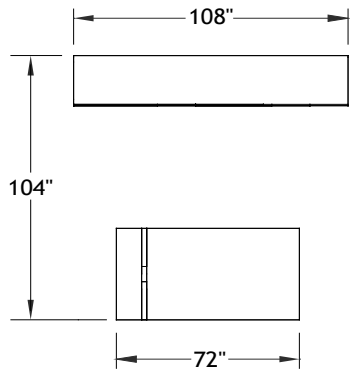
Laminate: Chiffon
 Wood: Bark
 Outlets: Dusk

Note: Fabrics are specified for informational purpose only and may be of different grades. Typical pricing is based on grade 2 fabric.

ITEM	QTY	CODE	DESCRIPTION	LIST PRICE \$	TOTAL \$
	1	VOZ 4278 TPMW	Rectangular table 42" x 78" x 29"H - Wood modesty	2 832	2 832
A	1	[GRR]	Option - Wood insert with grommet	273	273
	1	[PU]	Option - Power Outlet Cutout	0	0
	1	[PV]	Option - Power Outlet Cutout	0	0
B	1	VO 201528 HIND	Independent pedestal 20" x 15" x 28"H with trash cans	1 189	1 189
C	1	VO 203028 ARIND	Independent cabinet 20" x 30" x 28"H with two doors	1 000	1 000
D	1	VO 203028 KIND	Independent pedestal 24" x 30" x 28"H with filing cabinet	1 507	1 507
E	1	VO 2075 TPED	Top for independent pedestals 20" x 75"	218	218
				Total:	7 019
Electrical Accessories					
	2	[SQE]	Electric plug	135	270
	2	[SQU]	USB port	222	444
				Total:	714

Typical Layouts

volt-c014



Laminate : Kali
 Top : Chalk (Monochrom)
 Wood : Sand
 Felt : Light Grey
 Outlets: Storm

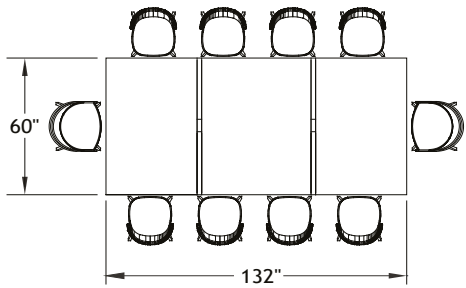
Note: Fabrics are specified for informational purpose only and may be of different grades. Typical pricing is based on grade 2 fabric.



ITEM	QTY	CODE	DESCRIPTION	LIST PRICE \$	TOTAL \$
	1	VOMZ 3672 TPMF	Rectangular table 36" x 72" x 29"H - Felt modesty	3 899	3 899
A	1	[GRR]	Option - Wood surface grommet	273	273
	1	[PU]	Option - Power Outlet Cutout	0	0
	1	[PV]	Option - Power Outlet Cutout	0	0
B	1	VO 201866 ARL	Cabinet 20" x 18" x 66"H with one door	1 350	1 350
C	1	VO 203028 ARIND	Independent cabinet 20" x 30" x 28"H with two doors	1 000	1 000
D	2	VO 203028 KIND	Independent pedestal 20" x 30" x 28"H with filing cabinet	1 507	3 014
E	1	VO 2090 TPED	Top for independent pedestals 20" x 90"	265	265
F	1	VO 3660 WP	Wall panel 36" x 60"	254	254
G	1	VO 3630 WP	Wall panel 36" x 30"	192	192
H	2	VO WS	Wall shelf	373	746
I	1	VO 23LS MOBD	Mobile pedestal 23" x 15-1/2" x 23-3/4"H	869	869
				Total:	11 862
Seating					
J	1	-1	Cyrus chair - Grade 2	780	780
				Total:	780
Electrical Accessories					
	2	[SQE]	Electric plug	135	270
	2	[SQU]	USB port	222	444
				Total:	714

Typical Layouts

volt-conference-c001

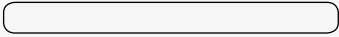


Top: Chalk (Monochrom)
 Wood: Sand
 Outlets: Dusk
 Fabric : Logiflex - Foundation Denim

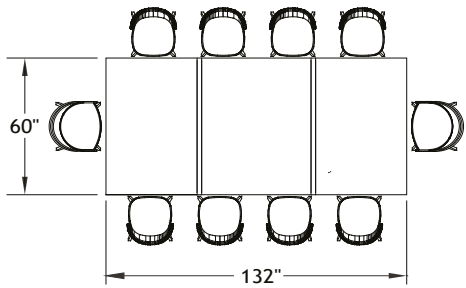
Note: Fabrics are specified for informational purpose only and may be of different grades. Typical pricing is based on grade 2 fabric.

ITEM	QTY	CODE	DESCRIPTION	LIST PRICE \$	TOTAL \$
	1	VOMZ 60132 CT GLR	Conference table 60" x 132" x 29"H - Wood inserts with grommet	14 631	14 631
A	1	[ZIP1]	Option - Leg with cable management and power bar	168	168
	1	[PO]	Option - Power outlet cutout	0	0
				Total:	14 799
Seating					
B	8	MN CHU S	Milan - Chair with upholstered back - Grade 2	1147	9 176
C	2	MN AC S	Milan - Armchair with plywood back - Grade 2	1242	2 484
				Total:	11 660
Electrical Accessories					
	6	[SQE]	Electric plug	135	810
	6	[SQU]	USB port	222	1 332
				Total:	2 142

Typical Layouts



volt-conference-c002



Top: Carbon (Monochrom)
 Wood: Coffee
 Outlets: Black
 Fabric : Logiflex - Whisper Cashew

Note: Fabrics are specified for informational purpose only and may be of different grades. Typical pricing is based on grade 2 fabric.

ITEM	QTY	CODE	DESCRIPTION	LIST PRICE \$	TOTAL \$
	1	VOMZ 60132 CT	Conference table 60" x 132" x 29"H	14 631	14 631
A	1	[NGR]	Option - Full wood insert without grommet	188	188
	1	[ZIP1]	Option - Leg with cable management and power bar	168	168
	1	[PO]	Option - Power outlet cutout	0	0
				Total:	14 987
Seating					
B	8	MN CH B	Milan - Chair with plywood back and Bold leg - Grade 2	1053	8 424
C	2	MN AC B	Milan - Armchair with plywood back and Bold leg - Grade 2	1242	2 484
				Total:	10 908
Electrical Accessories					
	5	[SQE]	Electric plug	135	675
	5	[SQU]	USB port	222	1 110
	1	[SQH]	HDMI connectivity port	155	155
	1	[SQD]	RJ45, CAT 6 connectivity port	155	155
				Total:	2 095