

# VOLT

Price List  
CANADA 2023



logiflex

# Table of Contents

<b>Introduction</b>	<b>3</b>	<b>Tables and Desks</b>	<b>18</b>	<b>Storage</b>	<b>40</b>
Update Summary	4	Rectangular Tables	19	Mobile Pedestals	41
Product Map	5	Rectangular Tables with Modesty	20	Wardrobes	43
Our social responsibility	6	Layering Tables	21	Cabinets	44
Conditions of Sale	6	Layering Tables with Modesty	22		
Manufacturing Standards	7	Square Tables	24	<b>Wall Storage</b>	<b>45</b>
How to Use the Price List	8	Secondary Desk	25	Wall Panels	46
Appendix A: Colors and Finishes	9	Bridges	26	Wall Shelves	48
Appendix B: Surfaces and Edges	11	Conference Tables	27	Wall Hutches	49
Appendix C: Wood Grain	11				
Appendix D: Volt Handles	11	<b>Modular Storage</b>	<b>28</b>	<b>Accessories</b>	<b>50</b>
Appendix E: Wood Insert with Grommet	11	Independent Pedestals	29	Miscellaneous Accessories	51
Appendix F: Secondary Desk Pedestals	12	Independent Cabinet	33	Electrical Accessories	55
Appendix G: Tops for Pedestals and Cabinets	12	Independent Bookcases	35		
Appendix H: Utility and File Drawers	12	Corner Legs	37		
Appendix I: Locks	13	Back Panel	38		
Appendix J: Drawer Fronts	13	Tops for Independent Pedestals	39		
Appendix K: Electrical Wire Management Solutions	13				
Appendix L: Conference Tables - Manufacturing Standards	15				



# Update Summary

The Volt price list presents these principal modifications:

DATE	SECTION	MODIFICATIONS
May 22, 2023	Storage	<ul style="list-style-type: none"><li>• Modification of manufacturing standards of the WS.</li></ul>

Previous updates:

DATE	SECTION	MODIFICATIONS
February 1, 2023	All the Price List	<ul style="list-style-type: none"><li>• All prices have been increased by approximately 5%.</li></ul>
July 1, 2022	All the Price List	<ul style="list-style-type: none"><li>• All prices have been increased by approximately 5%.</li></ul>
	Accessories	<ul style="list-style-type: none"><li>• Change of the Stiffener (RSTF) for stiffener (RSTF).</li></ul>
	Appendix A	<ul style="list-style-type: none"><li>• Color availability chart update for the HPL.</li></ul>
March 9, 2022	Accessories	<ul style="list-style-type: none"><li>• Price adjustment for the SQG.</li></ul>
February 1, 2022	All the Price List	<ul style="list-style-type: none"><li>• All prices have been increased by approximately 6%.</li></ul>
	Accessories	<ul style="list-style-type: none"><li>• Price adjustment for the C-2A-1S</li></ul>
	Conditions of Sales	<ul style="list-style-type: none"><li>• The order modification / cancellation deadline is changed to 48 hours.</li></ul>



# Introduction

## Product Map

### Tables and Desks

Tables p. 19

Layering Tables p. 21

Square Tables p. 24

Secondary Desks p. 25

Bridges p. 26

Conference Tables p. 27

### Modular Storage

Independent Pedestals p. 29

Independent Cabinets p. 33

Legs and Backs p. 37

Tops p. 39

### Storage

Mobile Pedestals p. 41

Wardrobes p. 43

Cabinets p. 44

### Wall Panels and Storage

Wall Panels p. 46

Wall Hutches p. 49



## Our social responsibility

At Logiflex, we have chosen to be a responsible North American manufacturer by implementing initiatives for sustainable development. As much as possible, we source local materials and partner with suppliers who prioritize clean manufacturing processes. We also consolidate goods during transport to reduce our fuel consumption and we continually make changes that help reduce our waste production.

The company is ISO 9001 certified. You can consult our eco-responsible approach as well as all our certifications in the [Certifications](#) section of our website. Find out how our products can help you obtain LEED credits and the Logiflex products that are Indoor Advantage Gold certified.

## Conditions of Sale

### Prices

The amounts listed in this document are suggested retail prices and may be changed without notice. Applicable taxes are not included. If you have an open and active account with Logiflex, merchandise will be invoiced at the prices prevailing at the time of shipment. A deposit may be requested if the opening of your account has not been completed or if your account has become inactive.

### Terms of Payment

Net 30 days F.O.B. Sherbrooke, Quebec. The invoice will be assigned the shipping date and is payable 30 days from that date. Logiflex remains the owner of the merchandise until the invoice is paid in full.

### Customized Products (Special Items)

Price requests for customized products or special items can be submitted via the ["Private Space"](#) section of our website, at [www.logiflex.ca](http://www.logiflex.ca). Our quotations department will study your request and send you a quotation and a technical drawing for approval as soon as possible. Modifications to quotations or technical drawings can be requested the same way. The approved quotation(s) and technical drawing(s) can then be attached to your purchase order.

### Orders

An official purchase order must be issued for all purchases. Your purchase order must contain the following information:

- Your company letterhead
- Your reference number
- The delivery address (with contact name, email and phone number)
- The complete product codes
- Furniture colour(s)
- Quantities
- Descriptions
- Retail prices and net prices
- Project registration number (if applicable), and your approved quotation and technical drawing (for special items).

Please note that a quotation cannot serve as a purchase order.

### Returns

All returns must first be approved by Logiflex. If the return is accepted, a Logiflex customer service representative will send you an official return authorization form in order to facilitate procedures between you, the carrier, and the Logiflex merchandise reception clerk. Additional costs for shipping or other expenses may be applied following any merchandise returns.

### Modifications and/or Cancellations

You have 48 hours from the time we acknowledge receipt of your order to make any requests for corrections or modifications. You may cancel your order during this same 48-hour period. If you would like to modify or cancel your order after this 48-hour verification period, please check with a Logiflex customer service representative. Orders cannot be changed or cancelled if production has already begun or if Logiflex has already received the raw materials.

### Liability

Logiflex's liability ends once the carrier has delivered all items in good condition. A delivery receipt signed by the customer acknowledges that the shipment is complete and has been received in good condition.

### Claims

Logiflex recommends inspecting the shipment before signing the carrier's delivery receipt. You must notify Logiflex of any incomplete shipments or damaged furniture within 30 days after delivery. Requests to replace damaged products can be made via the ["Private Space"](#) section of our website, at [www.logiflex.ca](http://www.logiflex.ca). Our after-sales service department will examine your request and help you correct the situation.

### Changes

Logiflex reserves the right to make changes to the materials, accessories, components, specifications and designs, and to discontinue collections and/or models, at any time and without prior notice.

### Storage and/or Shipping Fees

According to the terms Logiflex set forth in the transport policy. The transport policy can be consulted online in the [Private Space](#).

### Items Delivered Disassembled

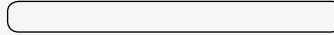
Some items are delivered disassembled, such as tables, secondary desks and bridges.

### Warranty

Logiflex guarantees to the original purchaser that Logiflex products are free from defects in design, materials and workmanship for the product's lifetime, with certain exceptions.

You may consult the full warranty on the website: [Logiflex Warranty](#)

# Introduction



## Manufacturing Standards

### Product Dimensions

For display purposes, the furniture dimensions represented in the price tables on each product page are rounded to the nearest whole number.

### Tables and Desk Tops

Tops are made of 1" thick laminate or Monochrom high pressure laminate, the interior of which is engineered with 45-lb / ft<sup>3</sup> industrial grade engineered wood.

### Wood Pieces

Cherry wood is used for all wood components. A selection of 12 varnish and stain colors are offered for all the pieces of wood. Please refer to the . When a wood color is chosen, all the wood elements will be the same color, the legs, the modesty, the apron and the wood inserts with grommets.

### Handles

As a standard, all fronts and doors in the Volt collection have integrated wood handles with knife edge. For independent pedestals and cabinets, the wooden handle is positioned horizontally on the top of the front or door. For single door wardrobes and cabinets, the wooden handle is vertical on the opening side. It is possible to change the wooden handles for Logiflex's H071 and H072 handles.

### Grommets

The wood inserts with grommets consists of a wooden slat inserted the full depth of the table and pedestal tops. They can be positioned on the left, right or both sides.

### Wood Apron

The wooden apron is 3 1/2" from the edge, and measures 2-1/2" high.

### Modesty Panels

The modesties are composed of lightweight honeycomb board panels comprised of 2 recycled wood fiber panels. They are available in 2 choices of materials: in cherry wood with the same selection of colors as the wood pieces and in felt. See [Appendix A](#) for further details.

### Pedestal Tops

Tops are made of 1" thick laminate or Monochrom high pressure laminate, the interior of which is engineered with 45-lb / ft<sup>3</sup> industrial grade engineered wood. Tops allow the flexibility to configure independent pedestals, cabinets, legs and backs. Depths are made to match the 20" and 24" pedestals and cabinets. The length will be determined by the independent pedestals and cabinets that are chosen.

### Locks

A lock can be added as an option. They are offered in Satin Nickel and Black finishes.

### Drawers

All drawer interiors are constructed of 7/16" black panels and all drawer bottoms are made of 1/8" masonite panels.

### Drawer Fronts

As a standard, all fronts and doors in the Volt collection have integrated wood handles with knife edge on the pedestals.

### Wood Grain

Wood grain runs lengthwise on surfaces and vertically on drawers, doors and legs. See [Appendix E](#) for further details.

### Levelers

All freestanding furniture sit on 1" in diameter, white nylon levelers, allowing for up to 1-1/4" height adjustment.

### Support Bars

The support bar is centered at 12" to the visitor side of the top is included (see the manufacturing standards of the desk).

# Introduction

## How to Use the Price List

**Interactive Menu**  
 Product line: [Rectangular Tables](#) / [Secondary Desks](#)  
 Product group: [Desks and Work Tables](#) / [Layering Desks](#) / [Square Tables](#) / [Bridges](#)

**Product name:** Rectangular Tables  
**Product code:** T

**Product image:**

**Product Information:**

**Illustrated options:**  
 Cable Management Leg (ZIP1, \$\$)  
 Wood Insert with Grommet (GRL, GRR, \$\$)  
 Power Outlet Cutout (PLR, PU, PV, P, \$0)

**Navigation Buttons (when blue):** Previous View, Previous Page, Next Page, Product Map, Table of Contents

**Product-specific manufacturing standards:**  
 • Delivered disassembled;  
 • Rectangular top with knife edge contour;  
 • Wood apron;  
 • 4 wood legs;  
 • White nylon levelers;  
 • Height: 29".

**Additional Product Information and Notes:**  
**Wood finishes:** Available colors for legs, aprons and surface grommets: White Wash **WW**, Golden Wheat **GW**, Sand **SD**, Apricot **AT**, Pecan **PN**, Brandy **BR**, Chestnut **CT**, Coffee **CF**, Espresso **ES**, Bordeaux **BO**, Black Wash **BW** and Bark **BK**.

**Prices:**

Dimensions		VOZ	VOMZ
A	B		
36	54	****	****
36	60	****	****
36	66	****	****
36	72	****	****
36	78	****	****
36	84	****	****
<hr/>			
42	54	****	****
42	60	****	****
42	66	****	****
42	72	****	****
42	78	****	****
42	84	****	****
<hr/>			
48	54	****	****
48	60	****	****
48	66	****	****
48	72	****	****
48	78	****	****
48	84	****	****

**How to Order:**

series	dimensions	code	wire channel leg	wood grommet	power outlet position	wood color
VOMZ	AB	T	ZIP1	GRL GRR NGR (std)	PLR PU PV	Finishes See the Logiflex Color Guide
<b>Example</b>	VOZ	3654	T	NGR		GW

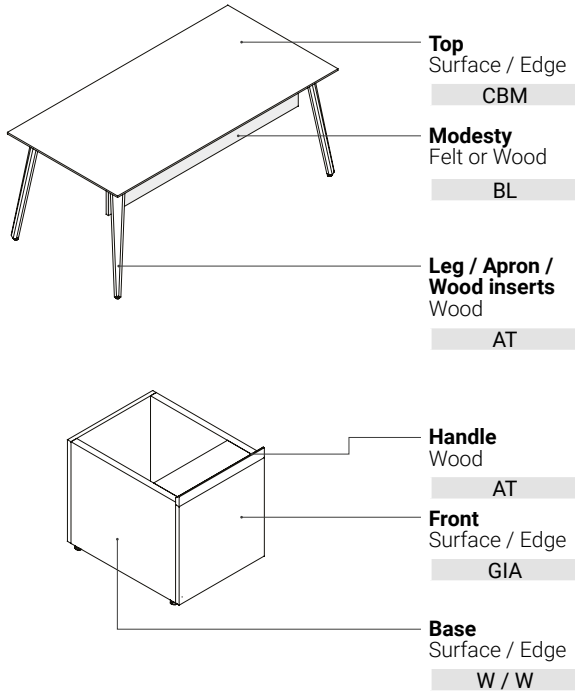
**Standard Product Code:** Details as per the price listed

**Options, if desired (\$):** Always after the product code

# Introduction

## Appendix A: Colors and Finishes

### How to specify your colors



### Availability Chart

FINI FINISH	CODE	COLOR COULEUR	THICKNESS ÉPAISSEUR			HPL STRATIFIÉ	PANVAL CODE
			5/8"	1"	1-5/8"		
OMNIA	DOO	Dosha	•	•		•	K77
	COO	Cosmos	•	•		•	K78
AURA	GIA	Ginger Root   Gingembre	•	•		•	H72
	HAA	Haze   Brume	•	•	•	•	H57
	OHA	Ohm	•	•	•	•	K69
	STA	Storm   Tempête	•	•	•	•	H58
	TUA	Tundra	•	•		•	H75
LYRA	ASY	Asha	•	•		•	K47
	CIY	Chiffon   Mousseline **	•	•	•	•	K60
	KAY	Kali	•	•		•	K46
SUPERMAT	IGS	Ingot grey   Gris lingot	•	•			828
	WGS	Willow grey   Gris saule	•	•			802
DOLOMITE	AU	Audacity   Audace **	•	•	•	•	241
	B	Jet Black   Noir intense *	•	•		•	888   S405-CA
	BC	Brown cherry   Cerisier brun	•	•	•	•	207
	C	Slate   Ardoise *	•	•		•	801
	DR	Driftwood   Bois de rive	•	•		•	744
	G	Mink Grey   Gris vison	•	•		•	805   OU-927
	NM	Natural Maple   Érable naturel	•	•	•	•	206
	PO	Porto	•	•		•	913   OU-648
	SW	Smoked Walnut   Noyer fumé	•	•	•	•	G21
	TO	Tobacco	•	•		•	205
	W	Polar White   Blanc polaire	•	•	•	•	555   459-CA
	WK	Whisky	•	•	•	•	245
	HIGH GLOSS   SUPER LUSTRE	W-H	Polar White - fronts   Blanc polaire - façades	•			

\* Non recommended color for work surfaces.

\*\* For conference tables with 2 or more parts, we do not recommend the use of colors with irregular and contrasted woodgrain like Chiffon, Audacity or Coastal Pear as it results in a pronounced wood grain mismatch.

Colors may vary from 2% to 5% between tfl and hpl laminates due to different technical applications.

See our complete [Colors & Finishes Guide](#)

**N** New

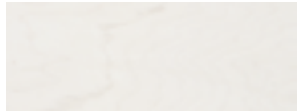
# Introduction

## Appendix A: Colors and Finishes

### 12 Wood Stains

Logiflex offers varnish and stain selection among the following 12 colors on all wood applications.

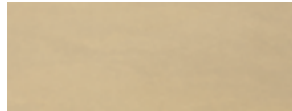
Knots and color variation can occur between different wood components of the same piece of furniture, or between different pieces of furniture. This variation is due to the natural characteristics of the wood, and is more contrasting for pale wood colors like Golden Wheat.



**WW** White Wash



**GW** Golden Wheat



**SD** Sand



**AT** Apricot



**PN** Pecan



**BR** Brandy



**CT** Chestnut



**CF** Coffee



**ES** Espresso



**BO** Bordeaux

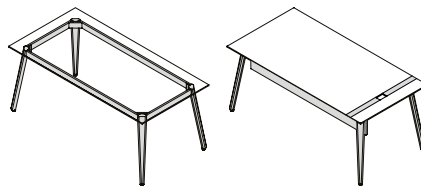


**BW** Black Wash



**BK** Bark

When a wood color is chosen, all wood elements are the same color, the legs, the modesty, the apron and the wood insert grommet.



- Due to its natural properties of wood, grain pattern and finish color variation can be expected.
- Although Logiflex offers great matches from laminate to wood, they are not exact due to grain pattern and sheen variation from laminate to wood. They coordinate throughout a floor plan, however we recommend they not be utilized on the same piece of furniture. See the [Closest match - Wood stain / Laminate](#) guide.
- Adding a new product to an existing installation might result in color variations due to light exposure.

### 3 Felt Colors for Modesties

Felt modesties are 1" panels covered with felt, are offered in a choice of 3 colors.



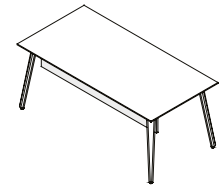
**BL** Blue



**LG** Light Gray

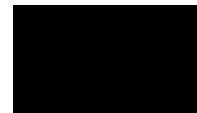


**DG** Dark Gray



### Monochrom Colors

The Monochrom colors, Carbon and Chalk are available on all Volt tables tops.



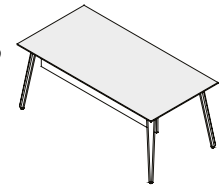
**CBM** Carbon



**CKM** Chalk

**Note:** It is not recommended to combine the following colors as they do not match:

- Carbon and Jet Black;
- Chalk and Polar White.



The Monochrom finish offers an ultra matte surface, low light reflectivity, anti-fingerprint finish and a soft-touch surface. This product can be easily cleaned and requires no special maintenance plan. In addition, the Monochrom finish is antibacterial and resists wear, abrasion, acids, bases and solvents.

- Matte finish, ultra-soft to the touch;
- Anti-fingerprints;
- Through-color core;
- Scratch resistant;
- Antibacterial.

For more information on the Monochrom finish, refer to the Material Data Sheet.

### Metal Finishes

Metal finishes available for optional handles

- CHR** Chrome
- SN** Satin Nickel
- BL** Black
- BN** Brushed Nickel

# Introduction

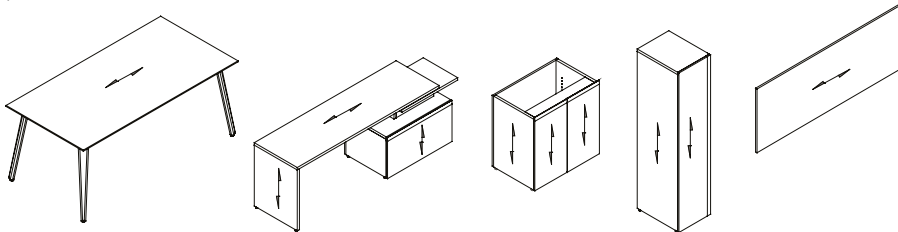


## Appendix B: Surfaces and Edges

SERIES	PREVIEW	COMPONENT	MATERIAL	EDGES / MOLDING
<b>VOZ</b>		<b>1" surface</b>	1" High-density particle board with Thermofused laminate (TFL).	1.5 mm polyvinyl chloride (PVC)
<b>VOMZ</b>		<b>1-1/16" surface</b>	Monochrom high pressure laminate - 1" high-density particle board, 3/64" HPL sheet on surface, 3/64" balancing sheet under surface (prevents bending).	1.5 mm polyvinyl chloride (PVC)
		<b>Front and back</b>	Thermofused laminate (TFL) - 5/8" high-density particle board.	1.5 mm polyvinyl chloride (PVC) on showing surfaces and 0.5 mm polyvinyl chloride (PVC) on non-showing surfaces.

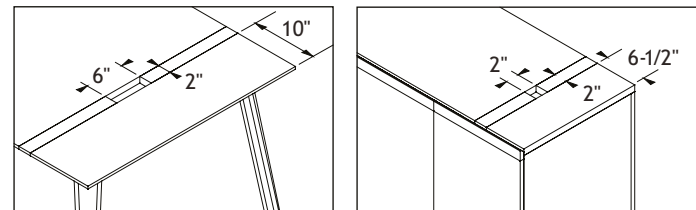
## Appendix C: Wood Grain

Wood grain is vertical for all furniture fronts. See image below for wood grain direction placements.



## Appendix E: Wood Insert with Grommet

The wood inserts with grommets consists of a wooden slat inserted the full depth of the table and pedestal tops. They can be positioned on the left or on the right.



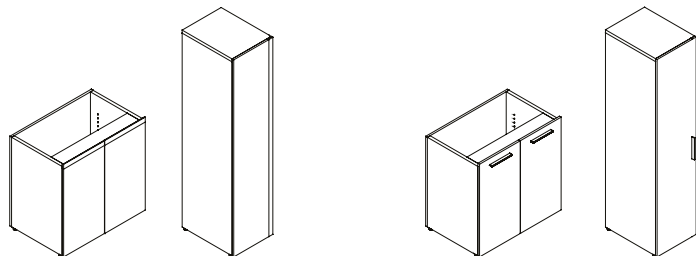
Position on a table

Position on a pedestal

The color of the wood insert corresponds to that of the wood legs and apron.

## Appendix D: Volt Handles

Wooden handles with knife edges are integrated into the doors and drawer fronts of Volt furniture that match the knife edges on the table and return tops. It is possible to change the standard wood handles for Logiflex's H071 and H072 Logiflex handles at no extra charge (subtract \$86 retail from pedestal price). The door and drawer fronts will then have a 1.5 mm vinyl edge and no knife edge.

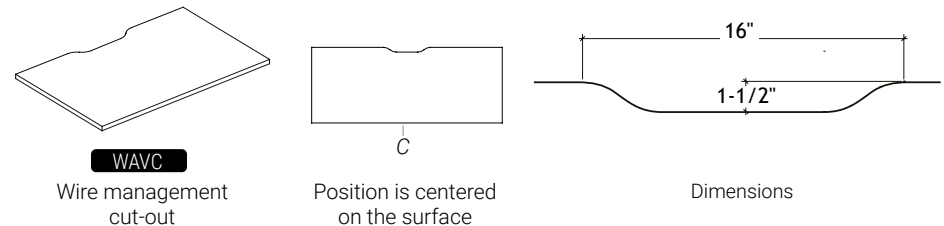


Volt Handles

Logiflex Handles

### Cutout for wires

The cutout for wires is offered on bridges and secondary desks.



Wire management cut-out

Position is centered on the surface

Dimensions



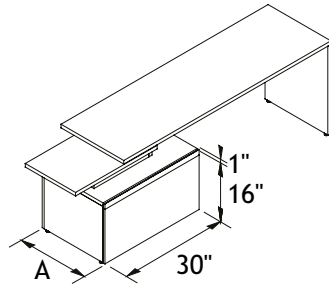
# Introduction

## Appendix F: Secondary Desk Pedestals

There is great flexibility when it comes to the secondary desk pedestals. Choose among all the independent pedestal choices, taking into consideration the following specifications:

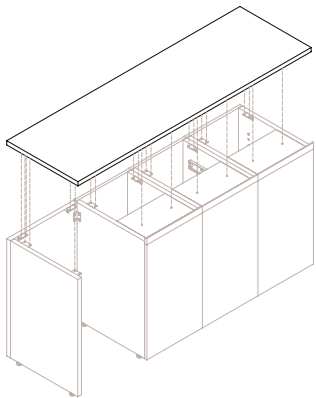
- 1) The width of the pedestal must be 30". A 30" pedestal may be used, or two 15" pedestals may be combined to make up the required 30" length.
- 2) The pedestal height must be 16"H.
- 3) The depth of the pedestal "A" dimension equals the depth of the desk that is ordered, either 20" or 24".

If a plug is ordered with the desk, you must also order a grommet in the pedestal.



## Appendix G: Tops for Pedestals and Cabinets

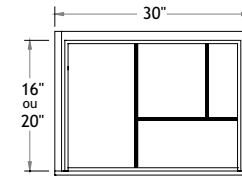
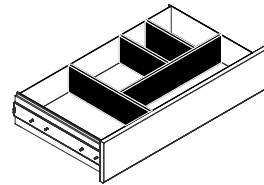
Tops are ordered separately from pedestals. Many pedestal combinations are possible. Pedestals are 15", 18", 30" and 36" wide and may be configured in any combination desired. Tops are offered from 15" to 84" wide.



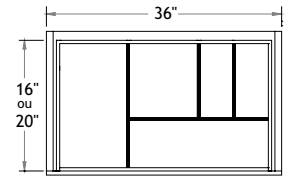
## Appendix H: Utility and File Drawers

### Utility Drawers

30" and 36" wide utility drawers have standard built-in dividers. When there are 2 utility drawers, only the top one has dividers.



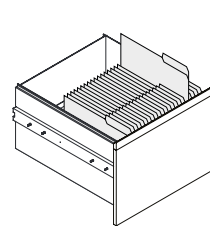
Top View



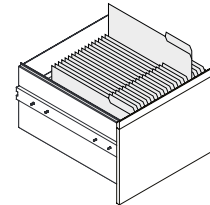
Top View

### File Drawers and Lateral File Drawers

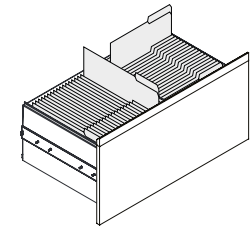
File drawers can receive either legal or letter formats. Please refer to the illustration below.



Letter format



Legal format



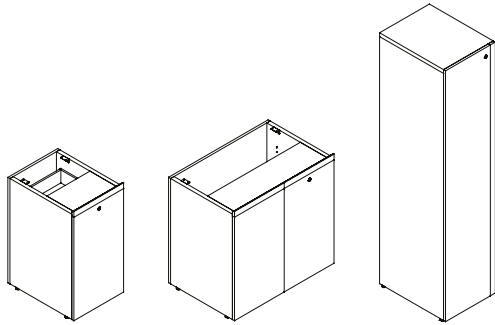
Legal and Letter formats

# Introduction



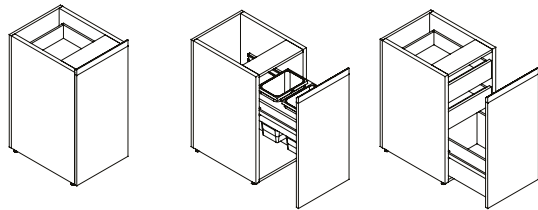
## Appendix I: Locks

An optional lock can be added. It will be positioned in the center of the facade, 2-7 / 8 " from the top for pedestals and cabinets and in the corner of the door for wardrobes and vertical cabinets.



## Appendix J: Drawer Fronts

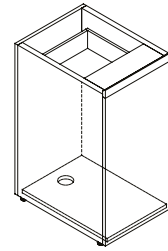
The Volt collection drawer fronts are designed to look streamlined and to show off vertical lines only. The streamline aesthetics of Volt storage cabinets hide an array of features.



## Appendix K: Electrical Wire Management Solutions

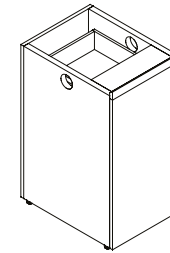
### Electrical Wire Management in Storage Units

The pedestal construction can be adapted to include wire management options.



EM

2-1/2" round grommet in the base of the unit.

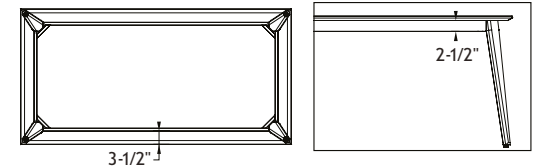
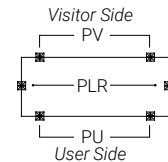
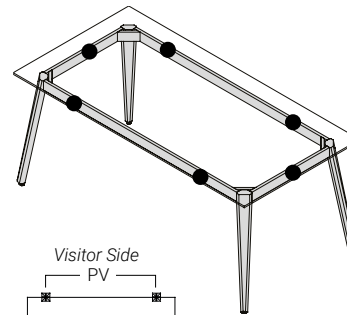


MGR

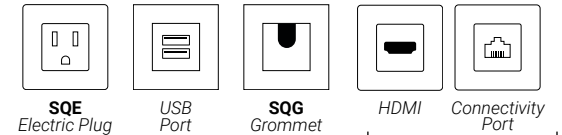
2-1/2" round grommet on the left and/or right.

### Power Outlet Cutout

Power outlet cutouts are available as an option. They are located on the visitor side, user side or on each end. Twelve 6" long wire management molding strips are included to conceal wires under the surface of the table. Plugs are not included and are offered separately in the electrical accessory section.

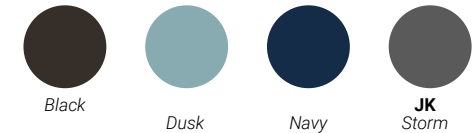


### Outlets



\*Only in Black

### Available in 4 finishes



# Introduction

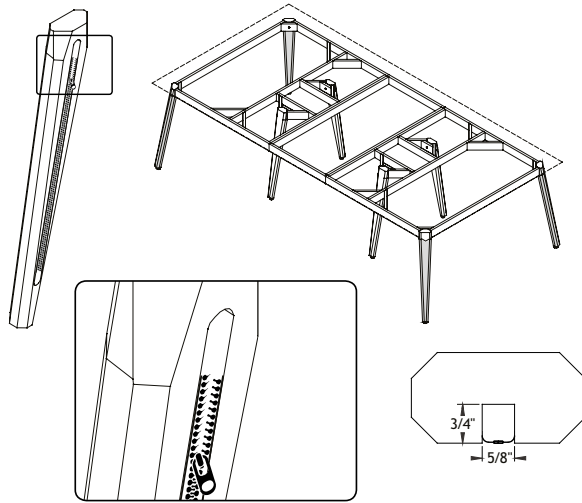


## Appendix K: Electrical Wire Management Solutions

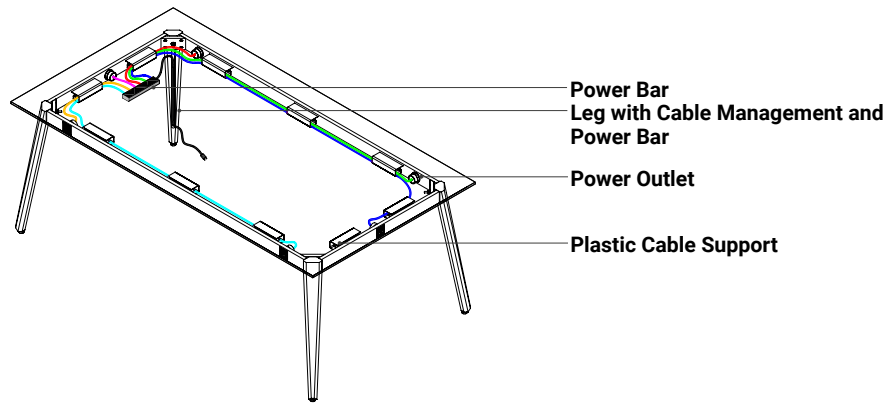
### Wire Management Leg

Possibility of replacing one standard wooden leg with a wooden leg with groove for inserting cables. Includes a PBL power bar.

ZIP1 Replace 1 leg



### Wire management under the surface and conference table

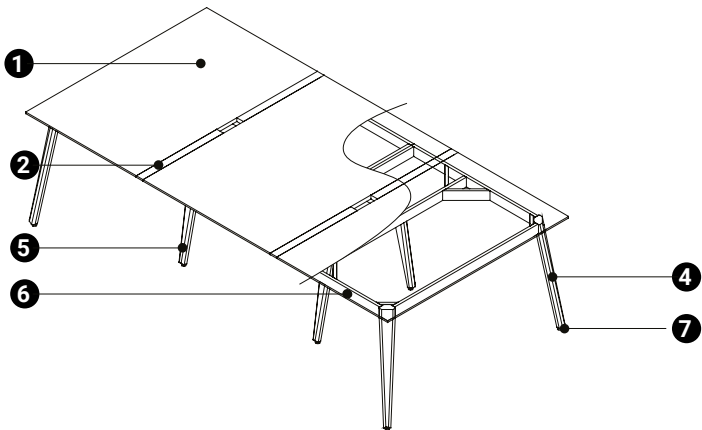


# Introduction



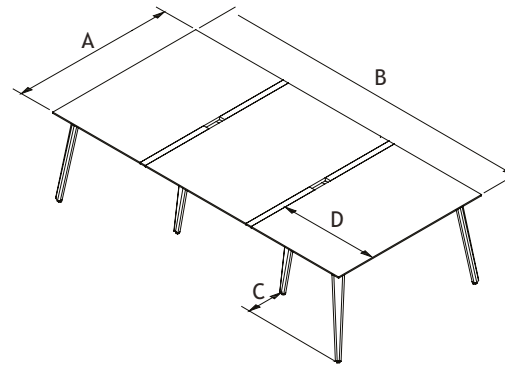
## Appendix L: Conference Tables - Manufacturing Standards

### Volt Conference Table Components



- ❶ All Logiflex colors and Monochrom finishes available
- ❷ Wood inserts with or without grommet
- ❸ Many available dimensions up to 144"
- ❹ Optional wood wire management leg
- ❺ Recessed central legs for increased leg room
- ❻ Integrated HDMI and data plugs into the table's wood apron
- ❼ Legs on white nylon levelers offering up to ½" height adjustment

### Wide Range of Dimensions

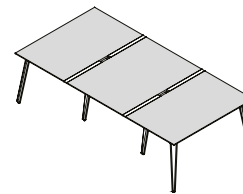


Volt conference tables come in a wide range of dimensions. To ensure optimal ergonomics, each comes with its own standard when it comes to leg room of the central legs, positioning of wood inserts and number of optional sockets.

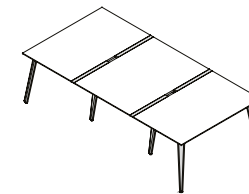
Dimensions			
A	B	C	D
48"	96"	9"	29"
54"	108"	12"	33"
60"	120"	15"	36"
60"	132"	15"	40"
60"	144"	15"	45"

### Color Application

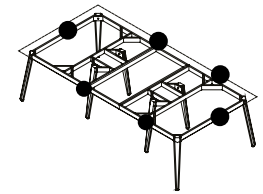
The different components can be finished in the following colors.



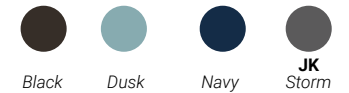
**Surfaces**  
All Logiflex laminate colors and Monochrom hpl



**Wood**  
Legs, aprons and wood inserts



**Power Outlets**  
4 color finishes  
\*HDMI and data in Black only



# Introduction



## Appendix L : Volt - Conference Tables - Manufacturing Standards (continued)

### About Monochrom

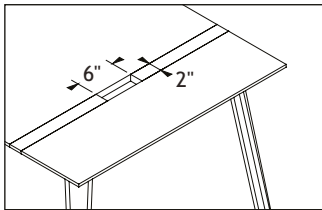
The Monochrom finish offers an ultra matte surface, low light reflectivity, anti-fingerprint finish and a soft-touch surface. This product can be easily cleaned and requires no special maintenance plan. In addition, the Monochrom finish is antibacterial and resists wear, abrasion, acids, bases and solvents.

### Properties of the Monochrom finish:

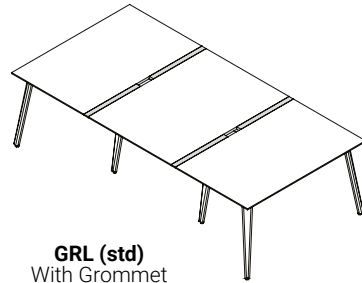
- Matte finish, ultra-soft to the touch;
- Anti-fingerprints;
- Through-color core;
- Scratch resistant;
- Antibacterial.

For more information on the Monochrom finish, refer to the Material Data Sheet.

### Wood Insert With or Without Grommet

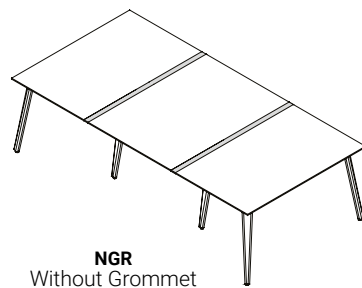


The wood inserts with grommets consists of a wooden slat inserted the full depth of the table and pedestal tops.



**GRL (std)**  
With Grommet

Remove the grommets to have continuous wood inserts.

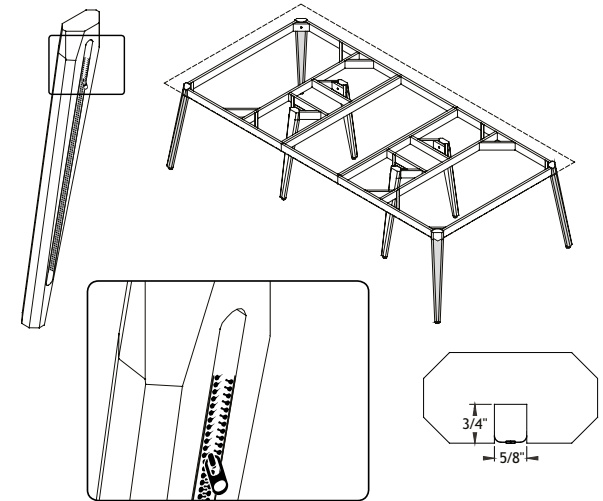


**NGR**  
Without Grommet

### Wire Management Leg

Possibility of replacing up to 4 standard wooden legs with wooden legs with groove for inserting cables. Includes a PBL power bar per leg.

- ZIP1 Replace 1 leg
- ZIP2 Replace 2 legs
- ZIP3 Replace 3 legs
- ZIP4 Replace 4 legs



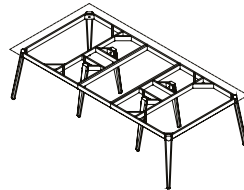
# Introduction



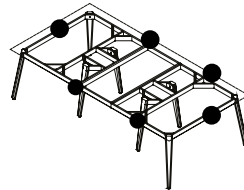
## Appendix L : Volt - Conference Tables - Manufacturing Standards *(continued)*

### Power Outlet Cutout

Add cutouts in the table's apron for the addition of power outlets. Their number and positioning are determined by the dimensions of the table. Twelve 6" long channels are included to conceal the wires under the table surface. Outlets are not included and are available separately in the electrical accessories section.



**NPO (std)**  
Without Cutout

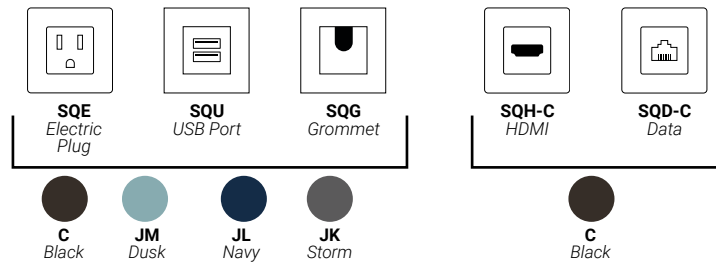


**PO**  
With Cutouts  
(outlets not included)

Table Dimensions		Number of Cutouts		
Depth	Width	Total	Ends	Sides
48"	96"	6	1 per end	2 per side
54"	108"	6	1 per end	2 per side
60"	120"	12	2 per end	4 per side
60"	132"	12	2 per end	4 per side
60"	144"	12	2 per end	4 per side

### Electrical Accessories - Electric Plugs

Since they are sold separately, you can use and combine all connections as desired.



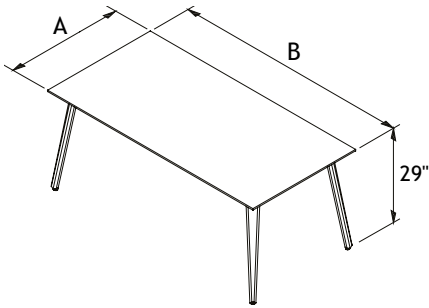




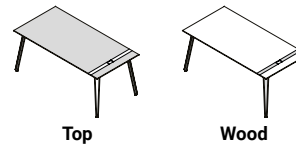
# Desks and Work Tables

## Rectangular Tables

T



### Color Combination



### Manufacturing Standards

- Delivered disassembled;
- Rectangular top with knife edge contour;
- Wood apron;
- 4 wood legs;
- White nylon levelers;
- Height: 29".

**Wood finishes:** Available colors for legs, aprons and surface grommets: White Wash **WW**, Golden Wheat **GW**, Sand **SD**, Apricot **AT**, Pecan **PN**, Brandy **BR**, Chestnut **CT**, Coffee **CF**, Espresso **ES**, Bordeaux **BO**, Black Wash **BW** and Bark **BK**.

### Options

#### Leg with Cable Management and Power Bar



ZIP1

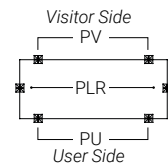
\$168 ea.

#### Wood Insert with Grommet



\$273 ea.

#### Power Outlet Cutout (Plugs not included)



P\_

\$0

### Prices

Dimensions			
A	B	VOZ	VOMZ
36	54	2354	3352
36	60	2368	3394
36	66	2382	3437
36	72	2398	3481
36	78	2412	3525
36	84	2441	3570
<hr/>			
42	54	2375	3442
42	60	2391	3485
42	66	2405	3529
42	72	2420	3576
42	78	2435	3620
42	84	2463	3682
<hr/>			
48	54	2391	3459
48	60	2405	3514
48	66	2420	3572
48	72	2435	3632
48	78	2451	3692
48	84	2479	3731

### How to Order

VOMZ VOZ (std)	AB	T	ZIP1	GRL GRR NGR (std)	PLR	PU	PV	Finishes <i>See the Logiflex Color Guide</i>
series	dimensions	code	wire channel leg	wood grommet	power outlet position			wood color
VOZ	3654	T		NGR				GW

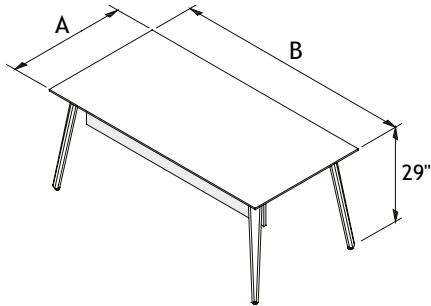
Example

# Desks and Work Tables

## Rectangular Tables with Modesty

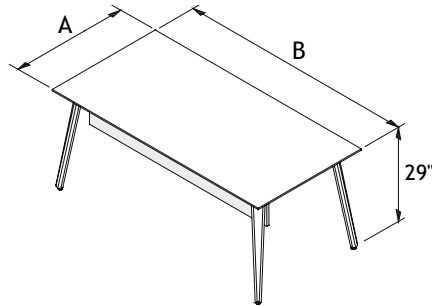
### TPMW

Wood modesty

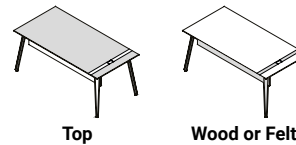


### TPMF

Felt modesty



### Color Combination



### Manufacturing Standards

- Delivered disassembled;
- Modesty 10"H in wood or felt;
- Rectangular laminate top with knife edge contour;
- Wood apron;
- 4 wood legs;
- White nylon levelers;
- Height: 29".

**Wood finishes:** Available colors for legs, aprons and surface grommets: White Wash **WW**, Golden Wheat **GW**, Sand **SD**, Apricot **AT**, Pecan **PN**, Brandy **BR**, Chestnut **CT**, Coffee **CF**, Espresso **ES**, Bordeaux **BO**, Black Wash **BW** and Bark **BK**.

**Felt colors:** Blue **BL**, Light Gray **LG** and Dark Gray **DG**.

### Options

#### Leg with Cable Management and Power Bar



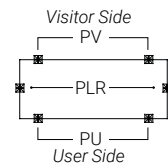
**ZIP1**  
\$168 ea.

#### Wood Insert with Grommet



\$273 ea.

#### Power Outlet Cutout (Plugs not included)



**P**  
\$0

### Prices

Dimensions		VOZ	VOMZ
A	B		
36	66	2773	3868
36	72	2792	3899
36	78	2809	3929
36	84	2844	3962
42	66	2796	3993
42	72	2813	4023
42	78	2832	4055
42	84	2865	4088
48	66	2812	4121
48	72	2829	4151
48	78	2848	4184
48	84	2884	4207

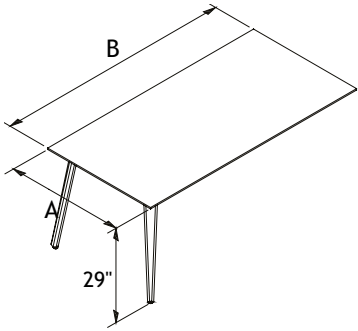
### How to Order

VOMZ VOZ (std)	AB	TPM TPM	W F	ZIP1	GRL GRR NGR (std)	PLR	PU	PV	Finishes See the Logiflex Color Guide	BL LG DG
series	dimensions	code	modesty	wire channel leg	wood grommet	power outlet position			wood color	felt color
<b>Example</b> VOZ	3666	TPM	W		NGR				GW	

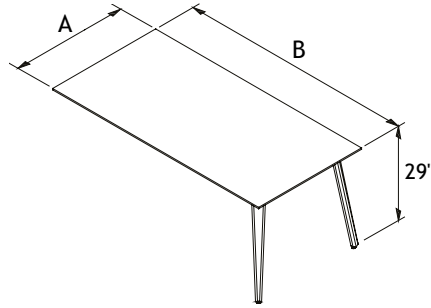
# Desks and Work Tables

## Layering Tables

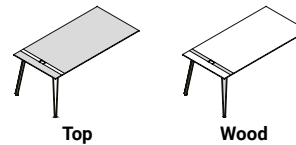
### FTL



### FTR



### Color Combination



### Manufacturing Standards

- Delivered disassembled;
- Rectangular top with knife edge contour;
- Wood apron;
- 2 wood legs;
- Rubber support bumpers;
- White nylon levelers;
- Height: 29".

**Wood finishes:** Available colors for legs, aprons and surface grommets: White Wash **WW**, Golden Wheat **GW**, Sand **SD**, Apricot **AT**, Pecan **PN**, Brandy **BR**, Chestnut **CT**, Coffee **CF**, Espresso **ES**, Bordeaux **BO**, Black Wash **BW** and Bark **BK**.

### Options

#### Leg with Cable Management and Power Bar



ZIP1

\$168 ea.

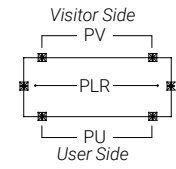
#### Wood Insert with Grommet



\$273 ea.

#### Power Outlet Cutout

(Plugs not included)



P\_

\$0

### Prices

Dimensions			
A	B	VOZ	VOMZ
36	60	2095	3112
36	66	2107	3135
36	72	2120	3158
36	78	2135	3182
36	84	2161	3209
42	60	2116	3232
42	66	2129	3256
42	72	2142	3279
42	78	2157	3304
42	84	2182	3330
48	60	2130	3354
48	66	2144	3380
48	72	2159	3404
48	78	2174	3431
48	84	2200	3478

### How to Order

VOMZ VOZ (std)	AB	FTL FTR	ZIP1	GRL GRR NGR (std)	PLR	PU	PV	Finishes See the Logiflex Color Guide
series	dimensions	code	wire channel leg	wood grommet	power outlet position		wood color	

Example

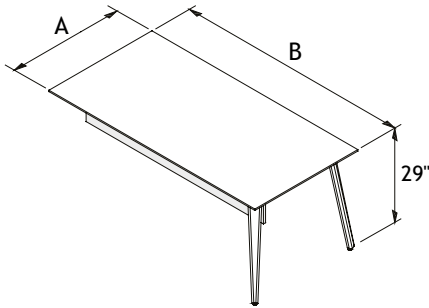
VOZ	3666	FTL		NGR				GW
-----	------	-----	--	-----	--	--	--	----

# Desks and Work Tables

## Left Layering Tables with Modesty

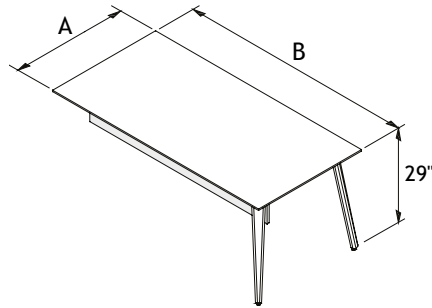
### FTLPMW

Wood modesty

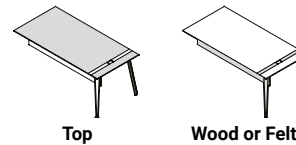


### FTLPMF

Felt modesty



### Color Combination



### Manufacturing Standards

- Delivered disassembled;
- Modesty 10"H in wood or felt;
- Rectangular top with knife edge contour;
- Wood apron;
- 2 wood legs;
- Rubber support bumpers;
- White nylon levelers;
- Height: 29".

**Wood finishes:** Available colors for legs, aprons and surface  
grommets: White Wash **WW**, Golden Wheat **GW**, Sand **SD**, Apricot **AT**, Pecan **PN**, Brandy **BR**, Chestnut **CT**, Coffee **CF**, Espresso **ES**, Bordeaux **BO**, Black Wash **BW** and Bark **BK**.

**Felt colors:** Blue **BL**, Light Gray **LG** and Dark Gray **DG**.

### Options

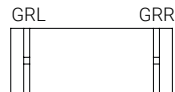
#### Leg with Cable Management and Power Bar



ZIP1

\$168 ea.

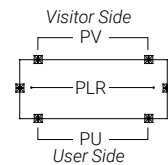
#### Wood Insert with Grommet



\$273 ea.

#### Power Outlet Cutout

(Plugs not included)



P

\$0

### Prices

Dimensions		VOZ	VOMZ
A	B		
36	66	2493	3522
36	72	2512	3549
36	78	2528	3578
36	84	2564	3607
42	66	2515	3636
42	72	2532	3665
42	78	2552	3694
42	84	2585	3723
48	66	2531	3754
48	72	2550	3783
48	78	2566	3813
48	84	2603	3858

### How to Order

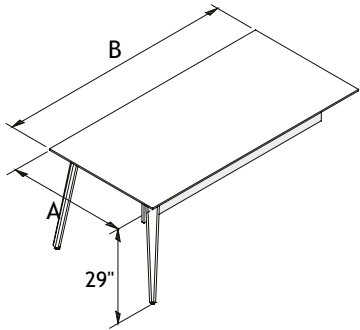
VOMZ VOZ (std)	AB	FTLPM	W F	ZIP1	GRL GRR NGR (std)	PLR	PU	PV	Finishes See the Logiflex Color Guide	BL LG DG
series	dimensions	code	modesty	wire channel leg	wood grommet	power outlet position			wood color	felt color
<b>Example</b> VOZ	3666	<b>FTLPM</b>	W		NGR				GW	

# Desks and Work Tables

## Right Layering Tables with Modesty

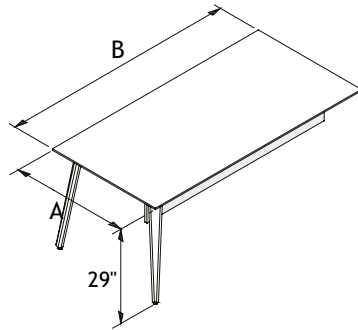
### FTRPMW

Wood modesty

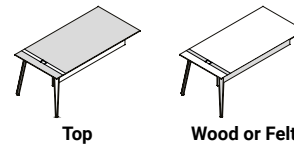


### FTRPMF

Felt modesty



### Color Combination



### Manufacturing Standards

- Delivered disassembled;
- Modesty 10"H in wood or felt;
- Rectangular top with knife edge contour;
- Wood apron;
- 2 wood legs;
- Rubber support bumpers;
- White nylon levelers;
- Height: 29".

**Wood finishes:** Available colors for legs, aprons and surface  
grommets: White Wash **WW**, Golden Wheat **GW**, Sand **SD**, Apricot **AT**, Pecan **PN**, Brandy **BR**, Chestnut **CT**, Coffee **CF**, Espresso **ES**, Bordeaux **BO**, Black Wash **BW** and Bark **BK**.

**Felt colors:** Blue **BL**, Light Gray **LG** and Dark Gray **DG**.

### Options

#### Leg with Cable Management and Power Bar



**ZIP1**  
\$168 ea.

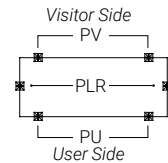
#### Wood Insert with Grommet



\$273 ea.

#### Power Outlet Cutout

(Plugs not included)



**P**  
\$0

### Prices

Dimensions		VOZ	VOMZ
A	B		
36	66	2493	3522
36	72	2512	3549
36	78	2528	3578
36	84	2564	3607
42	66	2515	3636
42	72	2532	3665
42	78	2552	3694
42	84	2585	3723
48	66	2531	3754
48	72	2550	3783
48	78	2566	3813
48	84	2603	3858

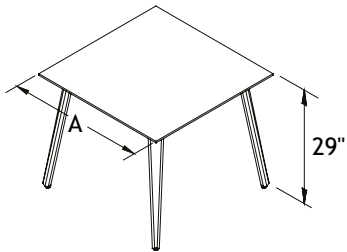
### How to Order

VOMZ VOZ (std)	AB	FTRPM	W F	ZIP1	GRL GRR NGR (std)	PLR	PU	PV	Finishes See the Logiflex Color Guide	BL LG DG
series	dimensions	code	modesty	wire channel leg	wood grommet	power outlet position			wood color	felt color
<b>Example</b> VOZ	3666	<b>FTRPM</b>	W		NGR				GW	

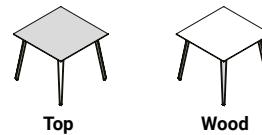
# Desks and Work Tables

## Square Tables

### TC



### Color Combination



### Manufacturing Standards

- Delivered disassembled;
- Square top with knife edge contour;
- Wood apron;
- 4 wooden legs;
- White nylon levelers;
- Height: 29".

**Wood finishes:** Available colors for legs, aprons and surface grommets: White Wash **WW**, Golden Wheat **GW**, Sand **SD**, Apricot **AT**, Pecan **PN**, Brandy **BR**, Chestnut **CT**, Coffee **CF**, Espresso **ES**, Bordeaux **BO**, Black Wash **BW** and Bark **BK**.

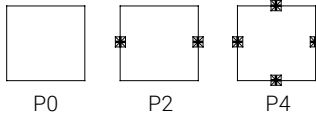
### Options

#### Leg with Cable Management and Power Bar



**ZIP1**  
\$168 ea.

#### Power Outlet Cutout (Plugs not included)



**P\_**  
\$0

### Prices

Dimensions		
A	VOZ	VOMZ
36	2287	3209
42	2312	3278
48	2360	3421

### How to Order

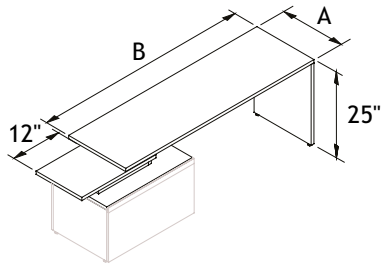
VOMZ VOZ (std)	A	TC	ZIP1	P4 P2 P0 (std)	Finishes See the Logiflex Color Guide
series	dimensions	code	wire channel leg	power outlets	wood color

**Example** VOZ 36 TC P\_ GW

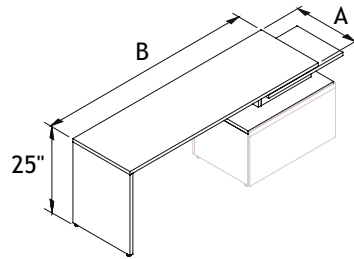
# Desks and Work Tables

## Secondary Desk

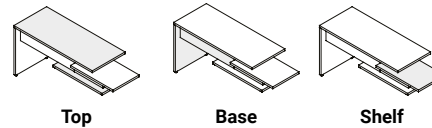
SDL



SDR



### Color Combination



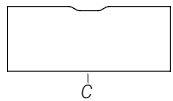
### Manufacturing Standards

- Delivered disassembled;
- 1" laminate top;
- 1 laminate leg;
- 1 shelf;
- 30" top (for one 30"L pedestal or two 15" pedestals);
- Height: 25".

- 1) The width of the pedestal must be 30". A 30" pedestal may be used, or two 15" pedestals may be combined to make up the required 30" length.
- 2) The pedestal height must be 16"H.
- 3) The depth of the pedestal "A" dimension equals the depth of the desk that is ordered, either 20" or 24".

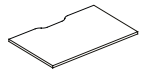
If a plug is ordered with the desk, you must also order a grommet in the pedestal.

### Options

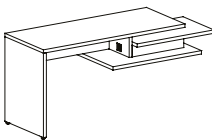


**Power Outlet Cutout**  
(Plugs not included)

**Cutout for wires**



\$26 ea.



OH

\$0

### Prices

Dimensions	
A	B
20 54	657
20 60	666
20 66	675
20 72	699
20 78	720
24 54	701
24 60	710
24 66	719
24 72	752
24 78	774

### How to Order

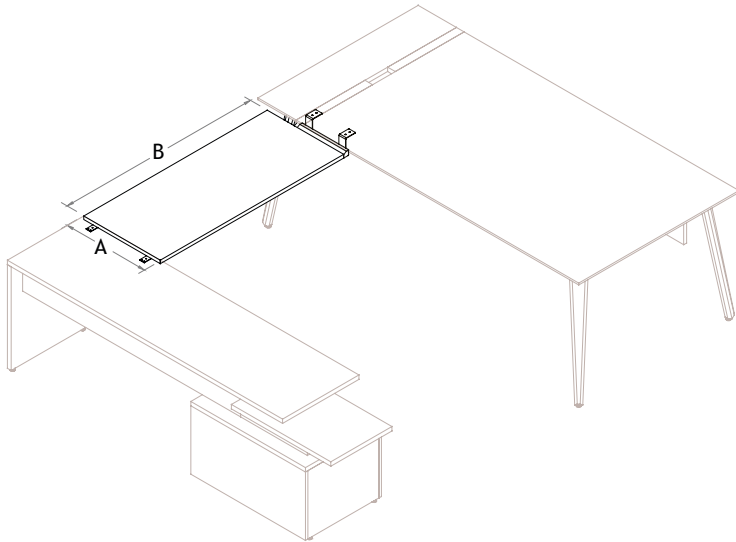
VO	AB	SDL SDR	WAVC NWAV (std)	OH	Combination of Colors <i>See the Logiflex Color Chart (p. 9)</i>		
series	dimensions	code	cutout (Appx. C)	hole for elect. plug	top	base	shelf
<b>Example VO</b>	2066	SDL	WAVC	OH		W	W



# Desks and Work Tables

## Bridges

BRB

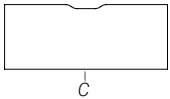


### Manufacturing Standards

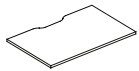
- 1" laminate top;
- 2 flush plates and 1 mounting bracket with wood insert;
- Stiffener (RSTF) included for bridges 60" or longer.

**Wood finishes:** Available colors for legs, aprons and surface grommets: White Wash **WW**, Golden Wheat **GW**, Sand **SD**, Apricot **AT**, Pecan **PN**, Brandy **BR**, Chestnut **CT**, Coffee **CF**, Espresso **ES**, Bordeaux **BO**, Black Wash **BW** and Bark **BK**.

### Options



Cutout for wires



\$26 ea.

### Prices

Dimensions	
A	B
20 42	398
20 48	425
20 54	455
20 60	487
20 66	522
20 72	559
24 42	410
24 48	439
24 54	468
24 60	501
24 66	537
24 72	579

### How to Order

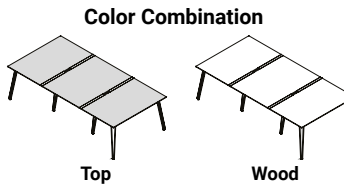
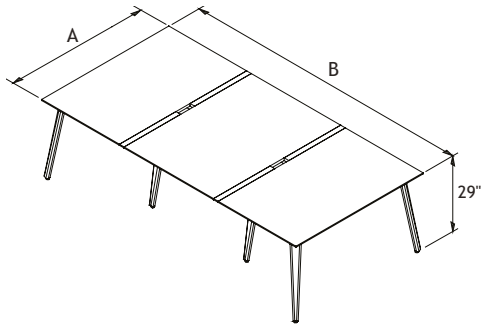
VO	AB	BRB	WAVC NWAV (std)	Finishes See the Logiflex Color Guide
series	dimensions	code	cutout (Appx. C)	wood color
<b>Example</b> VO	2042	BRB	WAVC	GW

# Desks and Work Tables



## Conference Tables

### CT



### Manufacturing Standards

- Delivered disassembled;
- 3 section rectangular top with knife edge contour;
- 2 wood inserts with grommet;
- Wood apron;
- 8 wood legs;
- White nylon levelers;
- Height: 29".

**Note:** For dimensions between measure, see Appendix L at p. 17 for the power outlet positioning.

**Wood finishes:** Available colors for legs, aprons and surface grommets: White Wash **WW**, Golden Wheat **GW**, Sand **SD**, Apricot **AT**, Pecan **PN**, Brandy **BR**, Chestnut **CT**, Coffee **CF**, Espresso **ES**, Bordeaux **BO**, Black Wash **BW** and Bark **BK**.

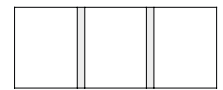
### Options

**Leg with Cable Management and Power Bar**



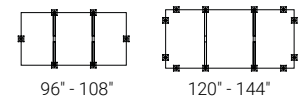
**ZIP**  
\$168 ea.

**Full Wood Insert (without grommet)**



**NGR**  
\$188 ea.

**Power Outlet Cutout**  
(Plugs not included)  
See Appendix L



**PO**  
\$0

### Prices

Dimensions		VOZ	VOMZ
A	B		
48	96	8679	10290
54	108	8926	12275
60	120	9175	14258
60	132	9423	14631
60	144	9672	15001

### How to Order

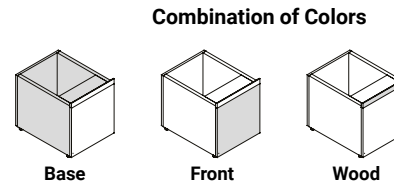
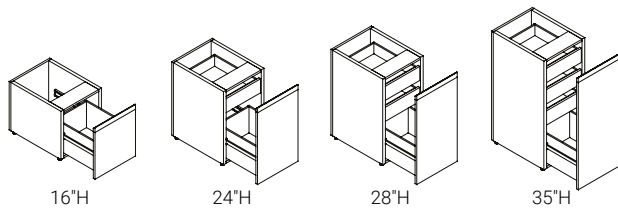
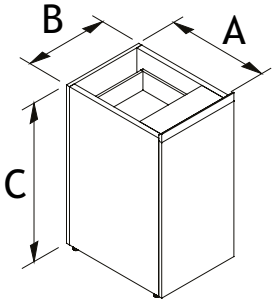
VOMZ VOZ (std)	AB	CT	ZIP1 ZIP2 ZIP3 ZIP4	NGR GLR (std)	PO NPO (std)	Finishes See the Logiflex Color Guide
series	dimensions	code	wire channel leg	wood grommet	power cutout	wood color
<b>Example</b> VOZ	4896	<b>CT</b>		GLR		GW



# Modular Storage

## Independent Pedestals with File Drawer

### GIND



### Combination of Colors

### Manufacturing Standards

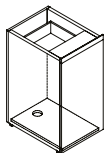
- Pedestals without tops;
- 1 full front with integrated wood handle;
- 16"H = 1 file drawer;
- 24"H = 1 utility drawer and 1 file drawer;
- 28"H = 2 utility drawers and 1 file drawer;
- Vertical wood grain on front.

**Handles:** Available colors for handles: White Wash **WW**, Golden Wheat **GW**, Sand **SD**, Apricot **AT**, Pecan **PN**, Brandy **BR**, Chestnut **CT**, Coffee **CF**, Espresso **ES**, Bordeaux **BO**, Black Wash **BW** and Bark **BK**.

For handles other than the wood standard, see [Appendix D](#).

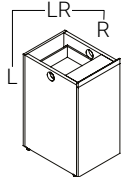
### Options

#### Electrical Wire Management



\$0

#### Grommet



MGR  
\$0

#### Lock



\$43 ea.

### Prices

Dimensions			
A	B	C	
20	15	16	1044
20	15	24	1085
20	15	28	1134
20	15	35	1188
20	18	16	1054
20	18	24	1096
20	18	28	1148
20	18	35	1198
24	15	16	1058
24	15	24	1103
24	15	28	1152
24	15	35	1203
24	18	16	1071
24	18	24	1112
24	18	28	1164
24	18	35	1215

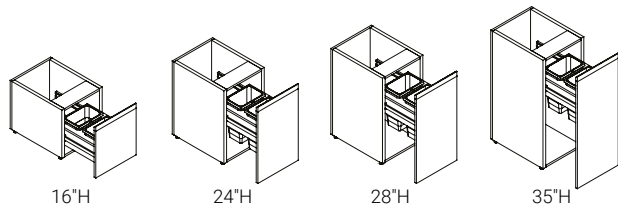
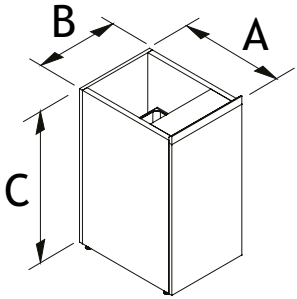
### How to Order

VO	ABC	GIND	EM	MGR L MGR R MG LR	WD (std)	Finishes See the Logiflex Color Guide	LKBL LKSN
series	dimensions	code	electricity	grommet	handle	wood color	lock
<b>Example</b>	<b>VO</b>	201524	<b>GIND</b>		WD	GW	

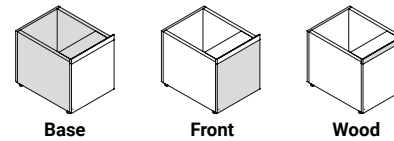
# Modular Storage

## Independent Pedestals with Trash Cans

### HIND



### Combination of Colors



### Manufacturing Standards

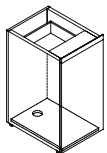
- Pedestals without tops;
- 1 sliding drawer front with integrated wood handle;
- Vertical wood grain on front;
- 2 gray trash cans;
- Trash can volume:
  - 16"H: 2 trash cans of 5.5L each
  - 24"H and 28"H: 2 trash cans of 8L each

**Handles:** Available colors for handles: White Wash **WW**, Golden Wheat **GW**, Sand **SD**, Apricot **AT**, Pecan **PN**, Brandy **BR**, Chestnut **CT**, Coffee **CF**, Espresso **ES**, Bordeaux **BO**, Black Wash **BW** and Bark **BK**.

For handles other than the wood standard, see [Appendix D](#).

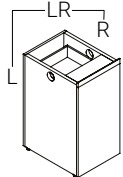
### Options

#### Electrical Wire Management



\$0

#### Grommet



MGR  
\$0

#### Lock



\$43 ea.

### Prices

Dimensions			
A	B	C	
20	15	16	819
20	15	24	1005
20	15	28	1189
20	15	35	1370
20	18	16	830
20	18	24	1014
20	18	28	1200
20	18	35	1387
24	15	16	833
24	15	24	1019
24	15	28	1206
24	15	35	1394
24	18	16	840
24	18	24	1030
24	18	28	1218
24	18	35	1408

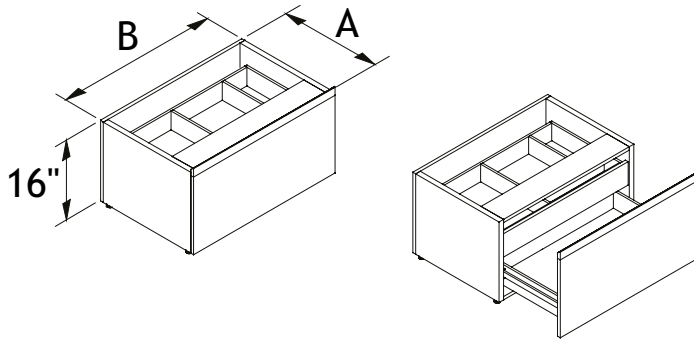
### How to Order

VO	ABC	HIND	EM	MGR L MGR R MG LR	WD (std)	Finishes See the Logiflex Color Guide	LKBL LKSN
series	dimensions	code	electricity	grommet	handle	wood color	lock
<b>Example</b>	<b>VO</b>	201524	<b>HIND</b>		WD	GW	

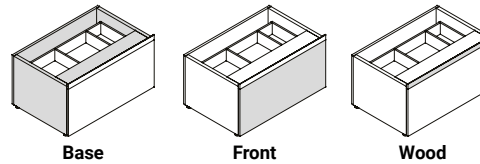
# Modular Storage

## Independent Pedestals with Utility Drawer

IIND



### Combination of Colors



### Manufacturing Standards

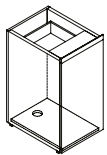
- Pedestals without tops;
- Cabinet with 1 door with integrated wood handle;
- 2 utility drawers, one with built-in dividers;
- Vertical wood grain on front,
- Height: 16".

**Handles:** Available colors for handles: White Wash **WW**, Golden Wheat **GW**, Sand **SD**, Apricot **AT**, Pecan **PN**, Brandy **BR**, Chestnut **CT**, Coffee **CF**, Espresso **ES**, Bordeaux **BO**, Black Wash **BW** and Bark **BK**.

For handles other than the wood standard, see [Appendix D](#).

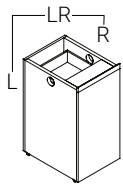
### Options

#### Electrical Wire Management



\$0

#### Grommet



MGR  
\$0

#### Lock



\$43 ea.

### Prices

Dimensions	
A	B C
20 30	1286
20 36	1326

24 30	1306
24 36	1347

### How to Order

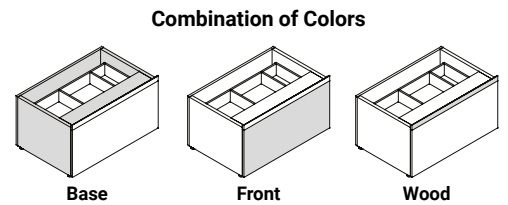
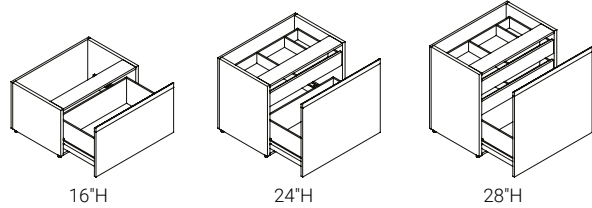
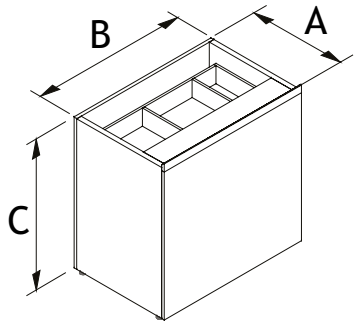
VO	ABC	IIND	EM	MGR L MGR R MG LR	WD (std)	Finishes See the Logiflex Color Guide	LKBL LKSN
series	dimensions	code	electricity	grommet	handle	wood color	lock

**Example** VO 201524 IIND WD GW

# Modular Storage

## Independent Pedestals with Filing Cabinet

### KIND



#### Manufacturing Standards

- Pedestals without tops;
- 1 sliding drawer front with integrated wood handle;
- 16"H = 1 lateral file drawer;
- 24"H = 1 utility drawer with built-in divider and 1 lateral file drawer;
- 28"H = 2 utility drawers, one with built-in dividers and 1 lateral file drawer;
- Vertical wood grain on front.

**Handles:** Available colors for handles: White Wash **WW**, Golden Wheat **GW**, Sand **SD**, Apricot **AT**, Pecan **PN**, Brandy **BR**, Chestnut **CT**, Coffee **CF**, Espresso **ES**, Bordeaux **BO**, Black Wash **BW** and Bark **BK**.  
For handles other than the wood standard, see [Appendix D](#).

#### Options

**Electrical Wire Management**

\$0

**Grommet**

**MGR**  
\$0

**Lock**

\$43 ea.

#### Prices

Dimensions			
A	B	C	
20	30	16	859
20	30	24	1287
20	30	28	1507
<hr/>			
20	36	16	877
20	36	24	1316
20	36	28	1538
<hr/>			
24	30	16	883
24	30	24	1326
24	30	28	1556
<hr/>			
24	36	16	903
24	36	24	1355
24	36	28	1587

#### How to Order

VO	ABC	KIND	EM	MGR L MGR R MG LR	H071 H072 WD (std)	Finishes <i>See the Logiflex Color Guide</i>	LKBL LKSN
series	dimensions	code	electricity	grommet	handle	wood color	lock
<b>Example</b>	<b>VO</b>	201524	<b>KIND</b>		WD	GW	

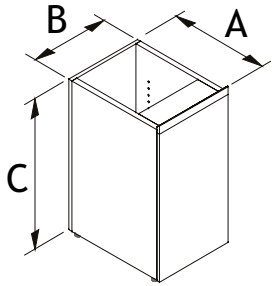


# Modular Storage

## Independent Cabinet with One Door

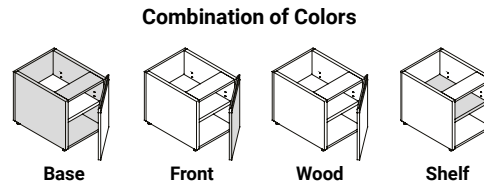
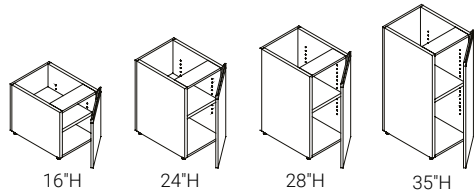
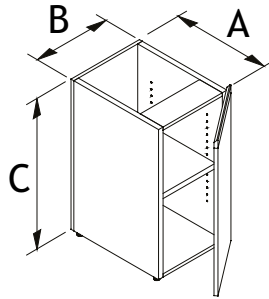
### ARLIND

Door opening to the left



### ARRIND

Door opening to the right



Combination of Colors

### Manufacturing Standards

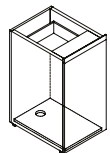
- Pedestals without tops;
- Cabinet with 1 soft close door
- Door with integrated wood handle;
- 1 adjustable shelf;
- Vertical wood grain on front.

**Handles:** Available colors for handles: White Wash **WW**, Golden Wheat **GW**, Sand **SD**, Apricot **AT**, Pecan **PN**, Brandy **BR**, Chestnut **CT**, Coffee **CF**, Espresso **ES**, Bordeaux **BO**, Black Wash **BW** and Bark **BK**.

For handles other than the wood standard, see [Appendix D](#). Handles of independent cabinets are installed horizontally.

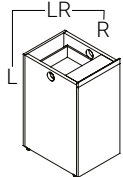
### Options

#### Electrical Wire Management



\$0

#### Grommet



MGR

\$0

#### Lock



\$43 ea.

### Prices

Dimensions	
A B C	
20 15 16	721
20 15 24	751
20 15 28	807
20 15 35	864
20 18 16	729
20 18 24	757
20 18 28	816
20 18 35	875
24 15 16	736
24 15 24	765
24 15 28	824
24 15 35	883
24 18 16	744
24 18 24	774
24 18 28	833
24 18 35	890

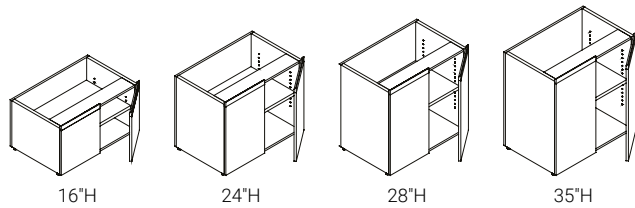
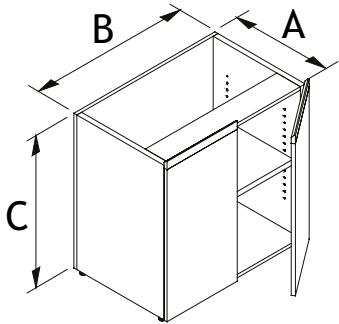
### How to Order

VO	ABC	ARLIND ARRIND	EM	MGR L MGR R MG LR	H071 H072 WD (std)	Finishes See the Logiflex Color Guide	LKBL LKSN
series	dimensions	code	electricity	grommet	handle	wood color	lock
<b>Example</b>	<b>VO</b>	201524	<b>ARLIND</b>		WD	GW	

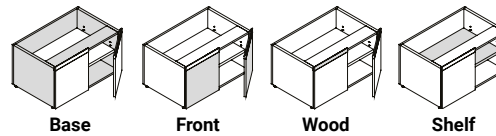
# Modular Storage

## Independent Cabinet with Two Doors

### ARIND



### Combination of Colors



### Manufacturing Standards

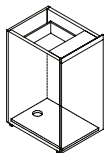
- Pedestals without tops;
- Cabinet with 2 soft close doors;
- Doors with integrated wood handles;
- 1 adjustable shelf;
- Vertical wood grain on front.

**Handles:** Available colors for handles: White Wash **WW**, Golden Wheat **GW**, Sand **SD**, Apricot **AT**, Pecan **PN**, Brandy **BR**, Chestnut **CT**, Coffee **CF**, Espresso **ES**, Bordeaux **BO**, Black Wash **BW** and Bark **BK**.

For handles other than the wood standard, see [Appendix D](#). Handles of independent cabinets are installed horizontally.

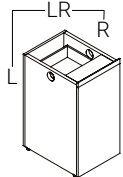
### Options

#### Electrical Wire Management



\$0

#### Grommet



MGR  
\$0

#### Lock



\$43 ea.

### Prices

Dimensions			
A	B	C	
20	30	16	898
20	30	24	938
20	30	28	1000
20	30	35	1065
20	36	16	957
20	36	24	995
20	36	28	1068
20	36	35	1140
24	30	16	911
24	30	24	952
24	30	28	1015
24	30	35	1078
24	36	16	972
24	36	24	1010
24	36	28	1084
24	36	35	1156

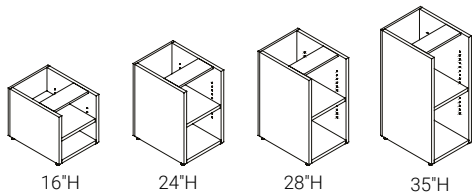
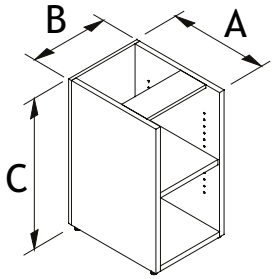
### How to Order

VO	ABC	ARIND	EM	MGR L MGR R MG LR	H071 H072 WD (std)	Finishes See the Logiflex Color Guide	LKBL LKSN
series	dimensions	code	electricity	grommet	handle	wood color	lock
<b>Example</b>	<b>VO</b>	201524	<b>ARIND</b>		WD	GW	

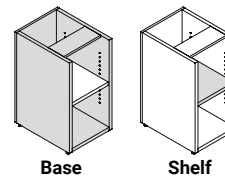
# Modular Storage

## Independent Bookcases

### BBIND



### Combination of Colors



## \* NEW PRODUCT

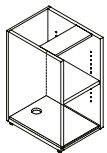
### Manufacturing Standards

- Pedestals without tops;
- 1 adjustable shelf.

**Note:** The actual depth dimension (A) is 3/4" less than the dimension indicated.

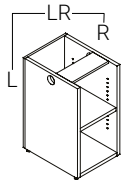
### Options

#### Electrical Wire Management



\$0

#### Grommet



MGR  
\$0

### Prices

Dimensions			
A	B	C	
20	15	16	597
20	15	24	626
20	15	28	684
20	15	35	727
20	18	16	605
20	18	24	634
20	18	28	692
20	18	35	734
24	15	16	612
24	15	24	642
24	15	28	700
24	15	35	751
24	18	16	620
24	18	24	649
24	18	28	708
24	18	35	757

Pricing and dimensions are continued on the following page

### How to Order

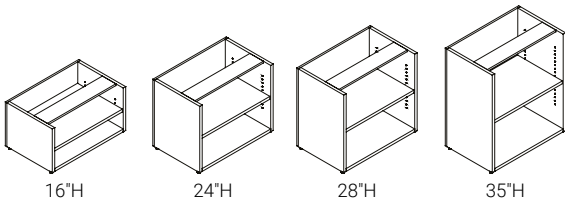
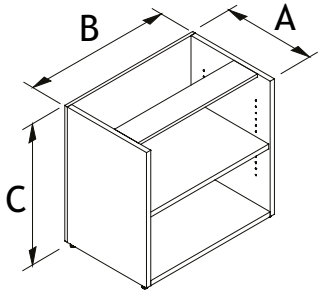
VO	ABC	BBIND	EM	MGR L MGR R MG LR
series	dimensions	code	electricity	grommet

**Example** VO 20 15 16 BBIND

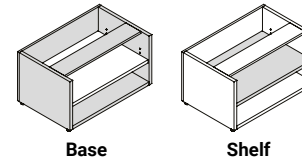
# Modular Storage

## Independent Bookcases (continued)

### BBIND



### Combination of Colors



## \* NEW PRODUCT

### Manufacturing Standards

- Pedestals without tops;
- 1 adjustable shelf.

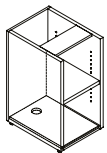
**Note:** The actual depth dimension (A) is 3/4" less than the dimension indicated.

### Prices

Dimensions			
A	B	C	
20	36	16	612
20	36	24	642
20	36	28	699
20	36	35	741
20	42	16	620
20	42	24	648
20	42	28	707
20	42	35	749
20	48	16	627
20	48	24	656
20	48	28	714
20	48	35	756
24	36	16	627
24	36	24	657
24	36	28	715
24	36	35	765
24	42	16	635
24	42	24	665
24	42	28	722
24	42	35	773
24	48	16	643
24	48	24	673
24	48	28	731
24	48	35	779

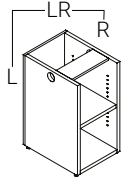
### Options

#### Electrical Wire Management



\$0

#### Grommet



MGR  
\$0

### How to Order

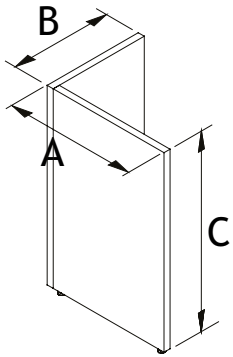
VO	ABC	BBIND	EM	MGR L MGR R MG LR
series	dimensions	code	electricity	grommet

**Example** VO 20 36 16 BBIND

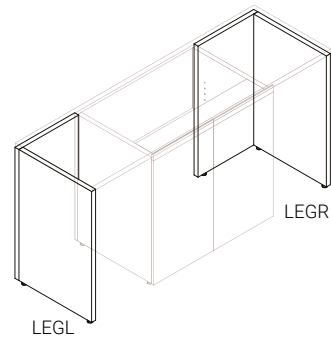
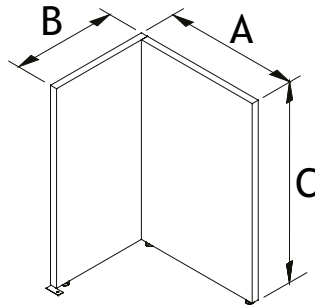
# Modular Storage

## Corner Legs

**LEGL**



**LEGR**



### Manufacturing Standards

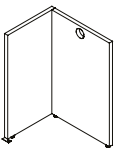
- 1" laminate corner legs;
- Junction plate.



*This is a great product to create space for your CPU*

### Options

#### Leg Grommet



**MGR**  
\$0

### How to Order

	ABC		L R	MGR
<b>VO</b>		<b>LEG</b>		
series	dimensions	code	orientation	leg grommet

**Example** **VO** 191524 **LEG** L MGR

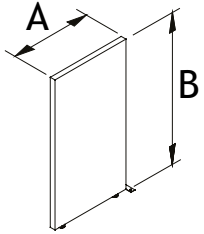
### Prices

Dimensions	
A B C	
19 15 24	219
19 18 24	235
19 30 24	249
19 36 24	274
19 15 28	225
19 18 28	238
19 30 28	252
19 36 28	278
23 15 24	227
23 18 24	240
23 30 24	255
23 36 24	281
23 15 28	230
23 18 28	245
23 30 28	258
23 36 28	286

# Modular Storage

## Back Panel

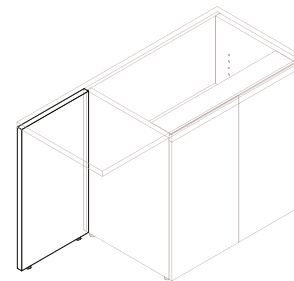
### BACK



### Manufacturing Standards

- 1" laminate back panel;
- Junction plate.

**Important Safety Note:**  
This product is not designed to support a bridge top.



### Prices

Dimensions	
A	B
15 16	117
15 24	122
15 28	133
18 16	120
18 24	125
18 28	137

### How to Order

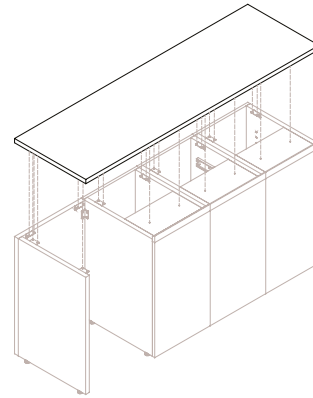
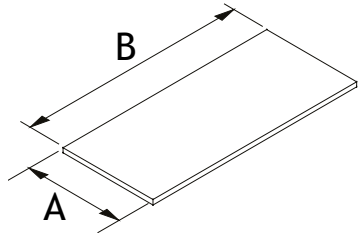
	AB		L R LR
<b>VO</b>		<b>BACK</b>	
series	dimensions	code	position

**Example** **VO** 1816 **BACK** L

# Modular Storage

## Tops for Independent Pedestals

### TPED



### Manufacturing Standards

- 1" laminate top for pedestals without tops.

**Wood finishes:** Available colors for legs, aprons and surface grommets: White Wash **WW**, Golden Wheat **GW**, Sand **SD**, Apricot **AT**, Pecan **PN**, Brandy **BR**, Chestnut **CT**, Coffee **CF**, Espresso **ES**, Bordeaux **BO**, Black Wash **BW** and Bark **BK**.

**Option:** Wood surface grommets are not offered for surfaces less than 30" wide.

**Note:** The actual depth dimension (A) is 3/4" less than the indicated dimension to allow clearance to the covering front.

### Prices

Dimensions	
A	B
20 15	84
20 18	84
20 30	88
20 36	106
20 45	131
20 48	139
20 54	159
20 60	175
20 66	194
20 72	211
20 75	218
20 84	246
20 90	265
24 15	84
24 18	84
24 30	106
24 36	126
24 45	159
24 48	169
24 54	191
24 60	211
24 66	233
24 72	252
24 75	265
24 84	294
24 90	316

### Options

#### Wood Surface Grommet



\$273 ea.

### How to Order

AB		TPED	GRL GRR GLR	Finishes <i>See the Logiflex Color Guide</i>
VO				
series	dimensions	code	grommet position	wood color

**Example** VO 2036 TPED GRL GW

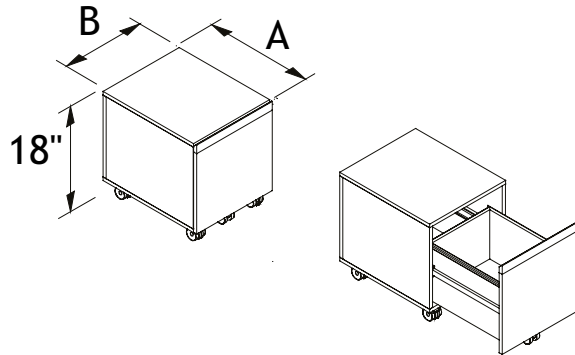




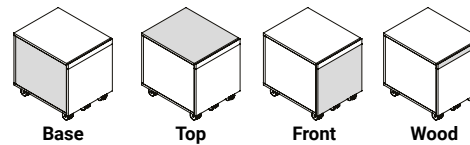
# Storage

## Mobile Pedestal

### MOBC



#### Combination of Colors



## \* NEW PRODUCT

### Manufacturing Standards

- Delivered with the casters disassembled;
- 1 file drawer;
- 5 casters with locks;
- Doors with integrated wood handles;
- Vertical wood grain on front;
- Height: 18".

#### Dimension B:

**LS:** letter format (15-1/2")

**X:** legal format (18-1/2")

**Handles:** Available colors for handles: White Wash **WW**, Golden Wheat **GW**, Sand **SD**, Apricot **AT**, Pecan **PN**, Brandy **BR**, Chestnut **CT**, Coffee **CF**, Espresso **ES**, Bordeaux **BO**, Black Wash **BW** and Bark **BK**.

For handles other than the wood standard, see [Appendix D](#).

### + Options

#### Lock



\$43 ea.

### \$ Prices

#### Dimensions

A	B
19 LS	731
19 X	740

23 LS	748
23 X	759

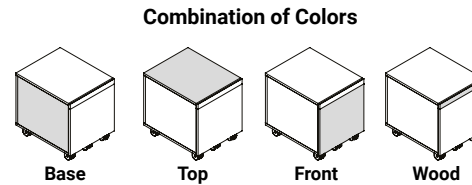
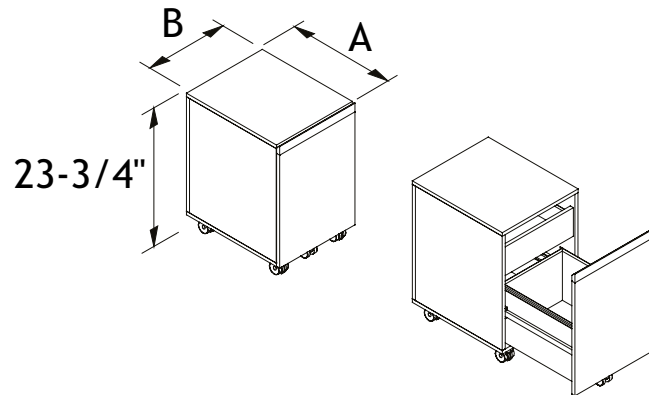
### 🛒 How to Order

VO	19LS 19X 23LS 23X	MOBC	WD (std)	Finishes See the Logiflex Color Guide	LKBL LKSN
series	dimensions	code	handle	wood color	lock
<b>Example VO</b>	19LS	<b>MOBC</b>	WD	GW	

# Storage

## Mobile Pedestal

**MOBD**



### \* NEW PRODUCT

#### Manufacturing Standards

- Delivered with the casters disassembled;
- 1 utility drawer
- 1 file drawer;
- 5 casters with locks;
- Doors with integrated wood handles;
- Vertical wood grain on front;
- Height: 23-3/4.

#### Dimension B:

**LS:** letter format (15-1/2")

**X:** legal format (18-1/2")

**Handles:** Available colors for handles: White Wash **WW**, Golden Wheat **GW**, Sand **SD**, Apricot **AT**, Pecan **PN**, Brandy **BR**, Chestnut **CT**, Coffee **CF**, Espresso **ES**, Bordeaux **BO**, Black Wash **BW** and Bark **BK**.

For handles other than the wood standard, see [Appendix D](#).

#### Options

##### Lock



\$43 ea.

#### Prices

Dimensions	
A	B
19 LS	843
19 X	859
23 LS	869
23 X	882

#### How to Order

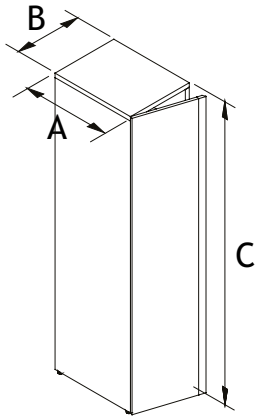
VO	19LS 19X 23LS 23X	MOBD	WD (std)	Finishes See the Logiflex Color Guide	LKBL LKSN
series	dimensions	code	handle	wood color	lock
<b>Example</b>	<b>VO</b>	<b>19LS</b>	<b>MOBD</b>	<b>WD</b>	<b>GW</b>

# Storage

## Wardrobes with One Door

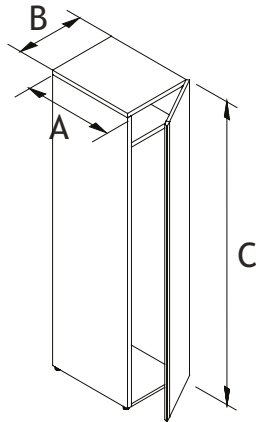
### VL

Door opening to the left

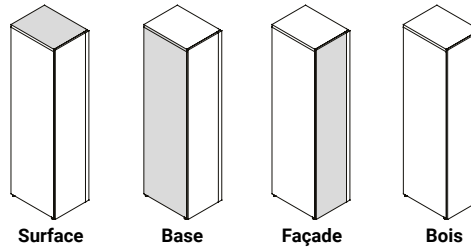


### VR

Door opening to the right



### Combination of Colors



### Manufacturing Standards

- 1-door wardrobe;
- Soft close, push-to-open doors and integrated wood handle;
- 1 fixed shelf;
- 1 clothes rail;
- Ventilation grill in back;
- Vertical wood grain on front.

**Handles:** Available colors for legs, aprons and surface grommets: White Wash **WW**, Golden Wheat **GW**, Sand **SD**, Apricot **AT**, Pecan **PN**, Brandy **BR**, Chestnut **CT**, Coffee **CF**, Espresso **ES**, Bordeaux **BO**, Black Wash **BW** and Bark **BK**.

For handles other than the wood standard, see [Appendix D](#).

### Options

#### Lock



\$43 ea.

### Prices

Dimensions	
A B C	
20 15 51	1098
20 15 54	1127
20 15 60	1155
20 15 64	1185
20 15 66	1227
20 18 51	1116
20 18 54	1146
20 18 60	1172
20 18 64	1202
20 18 66	1244
24 15 51	1121
24 15 54	1150
24 15 60	1180
24 15 64	1208
24 15 66	1251
24 18 51	1138
24 18 54	1168
24 18 60	1196
24 18 64	1227
24 18 66	1272

### How to Order

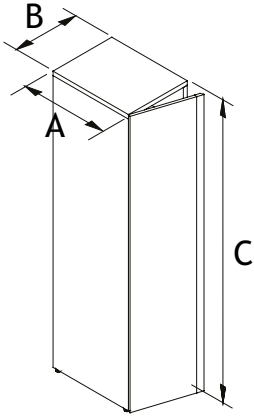
	ABC	VL VR	WD (std)	Finishes See the Logiflex Color Guide	LKBL LKSN
VO					
series	dimensions	code	handle	wood color	lock
<b>Example</b>	<b>VO</b>	201560	VL	WD	GW

# Storage

## Cabinets with One Door

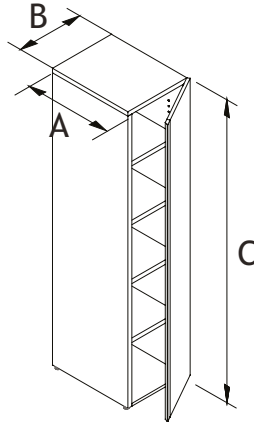
### ARL

Door opening to the left

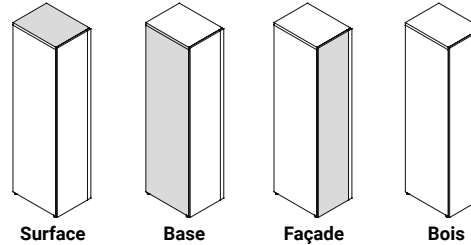


### ARR

Door opening to the right



### Combination of Colors



### Manufacturing Standards

- 1-door cabinet;
- Soft close, push-to-open doors and integrated wood handle;
- Adjustable shelves;
- Vertical wood grain on front.

#### Adjustable Shelves:

51" to 60": 3 adjustable shelves  
64" to 66": 4 adjustable shelves

**Handles:** Available colors for legs, aprons and surface grommets: White Wash **WW**, Golden Wheat **GW**, Sand **SD**, Apricot **AT**, Pecan **PN**, Brandy **BR**, Chestnut **CT**, Coffee **CF**, Espresso **ES**, Bordeaux **BO**, Black Wash **BW** and Bark **BK**.

For handles other than the wood standard, see [Appendix D](#).

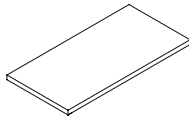
### Options

#### Lock



\$43 ea.

#### Adjustable Shelves



SH

#### Dimensions

A B

2015	43
2018	50
2415	50
2418	61

### Prices

#### Dimensions

A B C

20 15 51	1147
20 15 54	1185
20 15 60	1222
20 15 64	1262
20 15 66	1329

20 18 51	1163
20 18 54	1202
20 18 60	1241
20 18 64	1281
20 18 66	1350

24 15 51	1169
24 15 54	1208
24 15 60	1247
24 15 64	1287
24 15 66	1359

24 18 51	1188
24 18 54	1227
24 18 60	1266
24 18 64	1307
24 18 66	1377

### How to Order

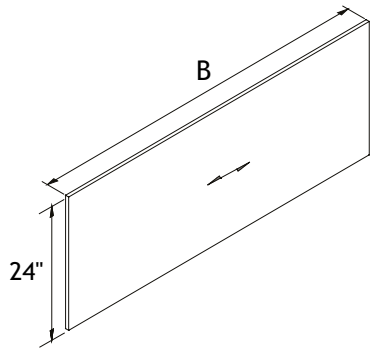
	ABC	ARL ARR	WD (std)	Finishes <i>See the Logiflex Color Guide</i>	LKBL LKSN	SH
<b>VO</b>						
series	dimensions	code	poignée	couleur de bois	serrure	tablettes
<b>Example VO</b>	201560	ARL	WD	GW		SH



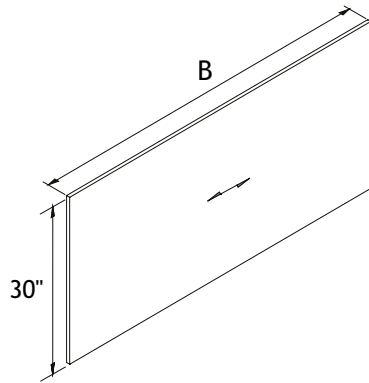
# Storage

## Wall Panels

### WP 24



### WP 30



### Manufacturing Standards

- 5/8" laminate wall panel;
- Horizontal wood grain;
- 4 mounting clips;
- 4 wall anchors;
- Maximum wall panel capacity: 100 lbs.

**Attention:** Logiflex is not responsible for the installation of wall storage. This responsibility belongs entirely to the distributor or the client.

### Prices

#### WP24

Dimensions	
A	B
24 24	160
24 30	168
24 36	174
24 42	182
24 48	196
24 54	205
24 60	214
24 66	225
24 72	234

#### WP30

Dimensions	
A	B
30 24	170
30 30	177
30 36	190
30 42	200
30 48	214
30 54	225
30 60	235
30 66	246
30 72	257

### How to Order

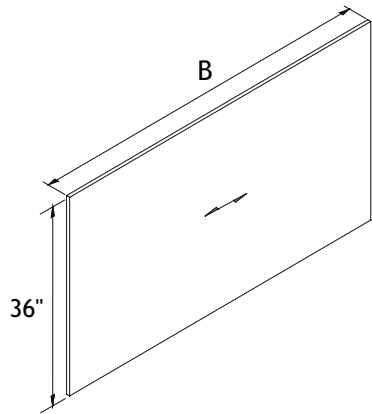
AB		
VO		WP
series	dimensions	code

**Example** VO 3060 WP

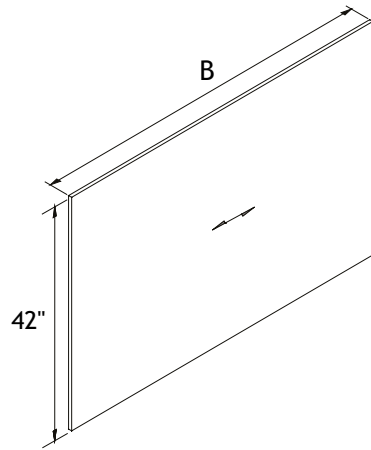
# Storage

## Wall Panels

### WP 36



### WP 42



### Manufacturing Standards

- 5/8" laminate wall panel;
- Horizontal wood grain;
- 4 mounting clips;
- 4 wall anchors;
- Maximum wall panel capacity: 100 lbs.

**Attention:** Logiflex is not responsible for the installation of wall storage. This responsibility belongs entirely to the distributor or the client.

### Prices

#### WP24

Dimensions	
A	B
36 24	179
36 30	192
36 36	203
36 42	216
36 48	232
36 54	243
36 60	254
36 66	268
36 72	286

#### WP30

Dimensions	
A	B
42 24	193
42 30	206
42 36	218
42 42	235
42 48	255
42 54	271
42 60	286
42 66	299
42 72	316

### How to Order

AB		
VO		WP
series	dimensions	code

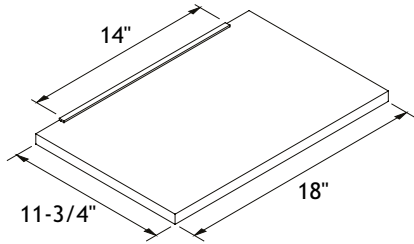
**Example**

VO	3660	WP
----	------	----

# Storage

## Wall Shelves

WS



### Manufacturing Standards

- Delivered disassembled;
- 3/4" Cherrywood shelf;
- 14" satin aluminum shelf bracket;
- Maximum shelf capacity: 25 lbs.

**Shelf option:** Fixed dimensions are 11-3/4" x 18".

**Recommended number of shelves per panel:**

- 24" - 36" wide panels: 1 shelf;
- 42" - 54" wide panels: maximum 2 shelves;
- 60" - 72" wide panels: maximum 3 shelves.

**Wood finishes:** Available colors: White Wash **WW**, Golden Wheat **GW**, Sand **SD**, Apricot **AT**, Pecan **PN**, Brandy **BR**, Chestnut **CT**, Coffee **CF**, Espresso **ES**, Bordeaux **BO**, Black Wash **BW** and Bark **BK**.

**Attention:** Logiflex is not responsible for the installation of wall storage. This responsibility belongs entirely to the distributor or the client.

### Prices

#### Dimensions

WS 373

### How to Order

**Finishes**  
See the  
Logiflex  
Color Guide

VO	WS	
series	code	wood color

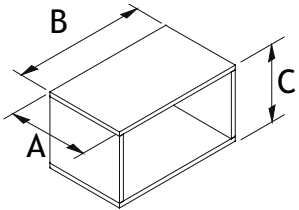
**Example** VO WS GW



# Storage

## Wall Hutches

### HOW



### Manufacturing Standards

- Open wall unit;
- 5/8" laminate construction;
- Aluminum Z-bar wall mount.

**Attention:** Logiflex is not responsible for the installation of wall storage. This responsibility belongs entirely to the distributor or the client.

### Prices

Dimensions			
A	B	C	
10	10	10	418
10	15	10	424
10	20	10	427
10	25	10	433
10	30	10	437
10	36	10	442
10	42	10	446
<hr/>			
10	10	15	439
10	15	15	442
10	20	15	446
10	25	15	450
10	30	15	455
10	36	15	460
10	42	15	465
<hr/>			
15	10	10	447
15	15	10	453
15	20	10	456
15	25	10	461
15	30	10	466
15	36	10	470
15	42	10	475
<hr/>			
15	10	15	463
15	15	15	466
15	20	15	470
15	25	15	477
15	30	15	482
15	36	15	486
15	42	15	490

### How to Order

A B C		
VO		HOW
series	dimensions	code

**Example** **VO** 102015 **HOW**

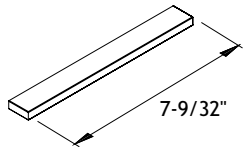


# Accessories

## Miscellaneous Accessories

### H071

Handle

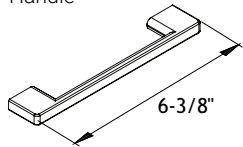


- 7-9/32" metal handle;
- 6-5/16" (160.338mm) center to center.

Code	\$	Description
H071CHR	14	Chrome
H071BN	14	Brushed Nickel
H071BL	14	Black
H071WH	14	White

### H072

Handle

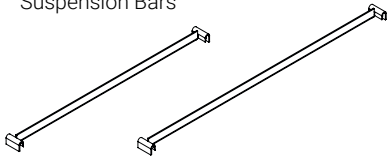


- 6-3/8" metal handle;
- 5-1/32" (127.8mm) center to center.

Code	\$	Description
H072CHR	14	Chrome
H072BL	14	Black
H072WH	14	White

### SB

Suspension Bars

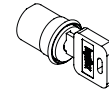


- Short suspension bars: 1 or 2 suspension bars for a left/right filing for a regular file drawer;
- Long suspension bars: 1 or 2 suspension bars for a front/back filing for a lateral file drawer.

Code	\$	Description
SBV1	7	1 short suspension bar
SBV2	14	2 short suspension bars
SBH1	7	1 long suspension bar
SBH2	14	2 long suspension bars

### LK

Lock



- Locks with keys
- Finish: Satin nickel or black finish;
- Additional locks, sold separately or factory installed;
- Please specify the type of furniture on which the will be installed.

Code	\$	Description
LKSN	43	Satin Nickel lock (factory installed)
LKBL	43	Black lock (factory installed)

LKSNF	27	Satin Nickel front lock
LKBLF	27	Black front lock

LKSNP	27	Satin Nickel door lock
LKBLP	27	Black door lock

KEY	19	Set of 2 keys - #501 - 600
SERR 010	19	1 master key

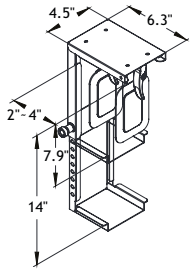


# Accessories

## CPU Holders

### MCPU50

Miniature CPU Holder

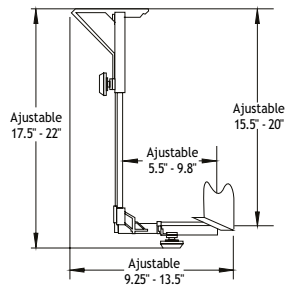


- Height adjustable: 8" - 14";
- Width adjustable: 2" - 4";
- Maximum capacity: 10 kg (22 lbs);
- Need a minimum 5" deep clearance.

Code	\$	Description
MCPU50	170	

### MCPU90

CPU Holder

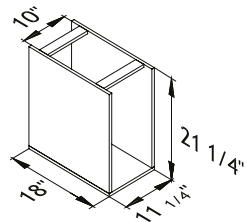


- Black metal CPU holder;
- Easy manipulation;
- Vertical adjustment:
  - Height: 15.5" x 20"
  - Width: 5.5" x 9.8"
- Horizontal adjustment:
  - Height: 17.5" x 22"
  - Width: 9.25" x 13.5"

Code	\$	Description
MCPU90	205	<i>per unit</i>

### CPUIND

CPU Holder



- 5/8" thick laminate CPU holder;
- 10" x 20" interior

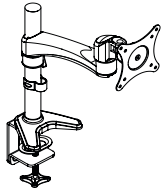
Code	\$	Description
CPUIND	174	<i>per unit</i>

# Accessories

## Computer Monitor Brackets

### C-1A

Computer Monitor Bracket

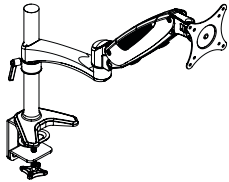


- Computer monitor bracket with fixed arm support;
- Height-adjustable arm;
- Clamp mounted;
- Finish: Black.

Code	\$	Description
C-1A	138	

### C-1B

Computer Monitor Bracket

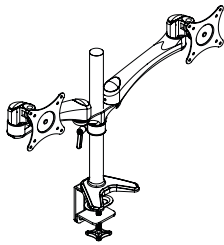


- Computer monitor bracket with flexible arm support;
- Height-adjustable arm;
- Clamp mounted;
- Finish: Black.

Code	\$	Description
C-1B	234	

### C-2A

Double Computer Monitor Bracket

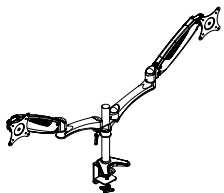


- Double computer monitor bracket with fixed arm support;
- Height-adjustable arms;
- Clamp mounted;
- Finish: Black.

Code	\$	Description
C-2A	233	

### C-2B

Double Computer Monitor Bracket

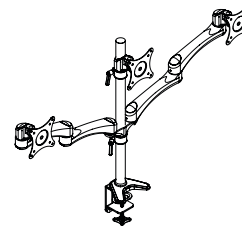


- Double computer monitor bracket with flexible arm support;
- Height-adjustable arms;
- Clamp mounted;
- Finish: Black.

Code	\$	Description
C-2B	415	

### C-2A-1S

Triple Computer Monitor Bracket

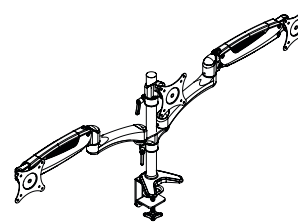


- Triple computer monitor bracket with fixed arm support;
- Height-adjustable arms;
- Clamp mounted;
- Finish: Black.

Code	\$	Description
C-2A-1S	401	

### C-2B-1S

Triple Computer Monitor Bracket



- Triple monitor bracket with 2 flexible arm supports;
- Height-adjustable arms;
- Clamp mounted;
- Finish: Black.

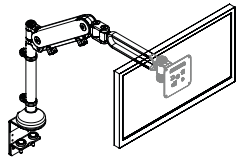
Code	\$	Description
C-2B-1S	454	

# Accessories

## Computer Monitor Brackets

### BRSC1M4

Monitor Arm



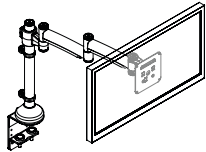
- Monitor arm with height-adjustable arm, clamp-mounted;
- Finish: Satin nickel.

Code	\$	Description
BRSC1M4	678	

This is a Human Scale product.

### BRSC1M7

Monitor Arm



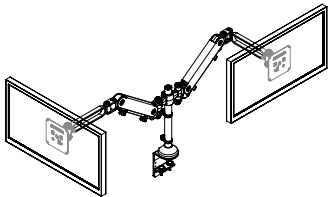
- Monitor arm with fixed-height arm, clamp-mounted;
- Finish: Satin nickel.

Code	\$	Description
BRSC1M7	481	

This is a Human Scale product.

### BRSC2M4

Double Monitor Arm



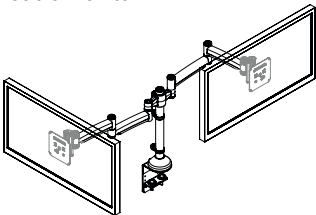
- Double monitor arm with height-adjustable arm, clamp-mounted;
- Finish: Satin nickel.

Code	\$	Description
BRSC2M4	1191	

This is a Human Scale product.

### BRSC2M7

Double Monitor Arm



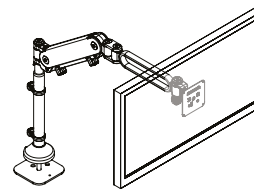
- Double monitor arm with fixed-height arm, clamp-mounted;
- Finish: Satin nickel.

Code	\$	Description
BRSC2M7	740	

This is a Human Scale product.

### BRSG1M4

Computer Monitor Bracket



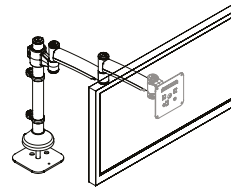
- Computer monitor bracket with height-adjustable arm;
- Grommet mounted;
- Finish: Satin Nickel.

Code	\$	Description
BRSG1M4	651	

This is a Human Scale product.

### BRSG1M7

Computer Monitor Bracket



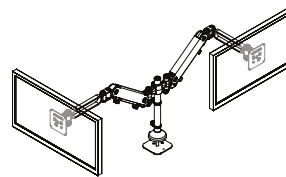
- Computer monitor bracket with fixed-height arm;
- Grommet mounted;
- Finish: Satin Nickel.

Code	\$	Description
BRSG1M7	447	

This is a Human Scale product.

### BRSG2M4

Double Computer Monitor Bracket



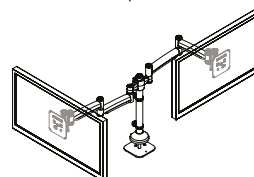
- Double computer monitor bracket with height-adjustable arm;
- Grommet mounted;
- Finish: Satin Nickel.

Code	\$	Description
BRSG2M4	1185	

This is a Human Scale product.

### BRSG2M7

Double Computer Monitor Bracket



- Double computer monitor bracket with fixed height;
- Grommet mounted;
- Finish: Satin Nickel.

Code	\$	Description
BRSG2M7	706	

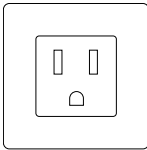
This is a Human Scale product.

# Accessories

## Electrical Accessories

### SQE

Electric plug

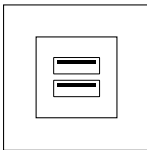


- Electric plug;
- Cable - 120";
- Finish: Black, Dusk, Navy, Storm.

Code	\$	Description
SQE-120-C	135	● Black
SQE-120-JM	135	● Dusk
SQE-120-JL	135	● Navy
SQE-120-JK	135	● Storm

### SQU

USB port

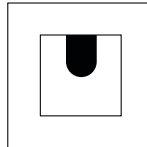


- 2 USB ports (passive);
- USB M/F cable - 72";
- Finish: Black, Dusk, Navy, Storm.

Code	\$	Description
SQU-72-C	222	● Black
SQU-72-JM	222	● Dusk
SQU-72-JL	222	● Navy
SQU-72-JK	222	● Storm

### SQG

Grommet

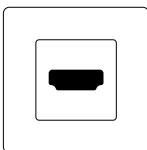


- Grommet;
- Finish: Black, Dusk, Navy, Storm.

Code	\$	Description
SQG-C	22	● Black
SQG-JM	22	● Dusk
SQG-JL	22	● Navy
SQG-JK	22	● Storm

### SQH-C

HDMI connectivity port

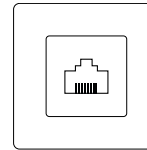


- HDMI connector;
- Finish: Black.

Code	\$	Description
SQH-C	155	● Black

### SQD-C

RJ45, CAT 6 connectivity port

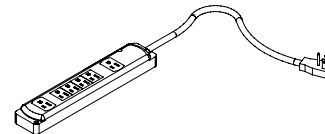


- RJ45, CAT6 DATA connector;
- Finish: Black.

Code	\$	Description
SQD-C	155	● Black

### F-714

Power bar



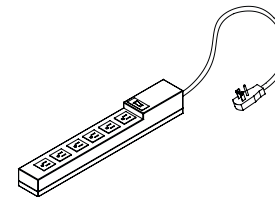
- Power bar with 6 AC 15 Amp electric outlets;
- 120", 14-3 power cable with electric plug.



Code	\$	Description
F-714	118	

### PBL

Power bar



- Power bar with 6 electric outlets;
- 120" power cable with electric plug;
- Can be installed under a top.



Code	\$	Description
PBL	61	

### WM

Velcro Tie



- Velcro tie for electrical cable;
- The non-metallic buckle is safe to use around electrical devices;
- Dimensions: ¾" x 10";
- Color: black.

Code	\$	Description
WM	13	Unit price
WMS	14	with #8, 9/16" Robertson screw, per unit

As our product line is constantly evolving and expanding, we recommend that you visit [logiflex.ca](https://logiflex.ca) for updates.

logiflex

1235 St-Roch N., Sherbrooke QC J1N 0H2 Canada  
T : 1.877.864.9323 | F : 1.800.474.7830 | [logiflex.ca](https://logiflex.ca)

May 22, 2023 | Canada