

CONFERENCE / COLLABORATION

Price List
USA 2023



logiflex

Table of Contents

Introduction	3	Conference Tables	23	Collaborative Furniture	111
Update Summary	4	Howard Bases	41	Collaborative and Multimedia Tables	112
Product Map	5	Wellington Bases	45	Link Collaboration Tables	116
Our social responsibility	8				
Conditions of Sale	8	All Purpose and Occasional Tables	48	Accessories	119
Manufacturing Standards	9	All Purpose Tables	49	Handles	120
How to Use the Price List	10	Flint	63	Legs	121
Appendix A: Colors and Finishes	11	Hatley	64	Miscellaneous Accessories	124
Appendix B: Conference Table Bases	13	Table 19	68	Electrical Accessories	125
Appendix C: Conference Table Surfaces	15	Magog	70		
Appendix D: Woodgrain Direction	17	Manhattan	73		
Appendix E: Surfaces and Edges	17	Orford	74		
Appendix F: Pricing for Additional Adjustable Shelves	18	Slim	77		
Appendix G: Pricing for Tops	19	Stanstead	79		
Appendix H: Seating Capacity	20	Lennox	82		
Appendix I: Electrical Wire Management Solutions	21				
		Training Tables	85		
		Academic Tables on Levelers	86		
		Academic Tables on Casters	88		
		Complimentary Furniture	90		
		Wall Units	91		
		Credenzas	96		
		Cabinets	103		
		Mobile Service Carts	105		
		Conference Boards	108		
		Lecterns	109		

Update Summary

The Tables price list presents these principal modifications:

DATE	SECTION	MODIFICATIONS
July 4, 2023	Electrical accessories	<ul style="list-style-type: none"> Chicago Code : Certain electrical components are now marked prohibited or restricted for orders in Chicago. (USA pricelist only).

Previous updates:

DATE	SECTION	MODIFICATIONS
May 22, 2023	Link Tables	<ul style="list-style-type: none"> Addition of 1" and some removal of 1-5/8" laminate for Link tables TAC29, TAC36 and TAC42.
February 1, 2023	All the Price List	<ul style="list-style-type: none"> All prices have been increased by approximately 5%. New certification Indoor Advantage Gold (replace Greenguard).
July 1, 2022	All the Price List	<ul style="list-style-type: none"> All prices have been increased by approximately 5%.
	Accessories	<ul style="list-style-type: none"> Change of the Stiffener (RSTF) for stiffener (RSTF). Addition of the BR1, BR2, DSG and SQU.
	Appendix A	<ul style="list-style-type: none"> Color availability chart update for the HPL.

Introduction



Product Map

Conference Tables

Arrow Bases

p. 24

Cubic Bases

p. 29

H Bases

p. 33

Rectangular Bases

p. 37

Y Bases

p. 42

Howard Bases

p. 41

Wellington Bases p. 45

Introduction



Product Map

All Purpose and Occasional Tables

All Purpose	p. 49
-------------	-------

Flint	p. 63
-------	-------

Hatley	p. 64
--------	-------

Tables 19	p. 68
-----------	-------

Magog	p. 70
-------	-------

Manhattan	p. 73
-----------	-------

Orford	p. 74
--------	-------

Slim	p. 77
------	-------

Stanstead	p. 79
-----------	-------

Lennox	p. 82
--------	-------

Training Tables

Training Tables	p. 86
-----------------	-------

Introduction

Product Map

Complimentary Furniture

Wall Units p. 91



Credenzas p. 96



Cabinets p. 103



Mobile Service Carts p. 105



Conference Boards p. 108



Lecterns p. 109



Collaborative Furniture

Collaborative and Multimedia Tables p. 112



Link Collaboration Tables p. 116





Our social responsibility

At Logiflex, we have chosen to be a responsible North American manufacturer by implementing initiatives for sustainable development. As much as possible, we source local materials and partner with suppliers who prioritize clean manufacturing processes. We also consolidate goods during transport to reduce our fuel consumption and we continually make changes that help reduce our waste production.

The company is ISO 9001 certified.

You can consult our eco-responsible approach as well as all our certifications in the [Certifications](#) section of our website. Find out how our products can help you obtain LEED credits and the Logiflex products that are Indoor Advantage Gold certified.

Conditions of Sale

Prices

The amounts listed in this document are suggested retail prices and may be changed without notice. Applicable taxes are not included. If you have an open and active account with Logiflex, merchandise will be invoiced at the prices prevailing at the time of shipment. A deposit may be requested if the opening of your account has not been completed or if your account has become inactive.

Terms of Payment

Net 30 days F.O.B. Sherbrooke, Quebec. The invoice will be assigned the shipping date and is payable 30 days from that date. Logiflex remains the owner of the merchandise until the invoice is paid in full.

Customized Products (Special Items)

Price requests for customized products or special items can be submitted via the ["Private Space"](#) section of our website, at www.logiflex.ca. Our quotations department will study your request and send you a quotation and a technical drawing for approval as soon as possible. Modifications to quotations or technical drawings can be requested the same way. The approved quotation(s) and technical drawing(s) can then be attached to your purchase order.

Orders

An official purchase order must be issued for all purchases. Your purchase order must contain the following information:

- Your company letterhead
- Your reference number
- The delivery address (with contact name, email and phone number)
- The complete product codes
- Furniture colour(s)
- Quantities
- Descriptions
- Retail prices and net prices
- Project registration number (if applicable), and your approved quotation and technical drawing (for special items).

Please note that a quotation cannot serve as a purchase order.

Returns

All returns must first be approved by Logiflex. If the return is accepted, a Logiflex customer service representative will send you an official return authorization form in order to facilitate procedures between you, the carrier, and the Logiflex merchandise reception clerk. Additional costs for shipping or other expenses may be applied following any merchandise returns.

Modifications and/or Cancellations

You have 48 hours from the time we acknowledge receipt of your order to make any requests for corrections or modifications. You may cancel your order during this same 48-hour period. If you would like to modify or cancel your order after this 48-hour verification period, please check with a Logiflex customer service representative. Orders cannot be changed or cancelled if production has already begun or if Logiflex has already received the raw materials.

Liability

Logiflex's liability ends once the carrier has delivered all items in good condition. A delivery receipt signed by the customer acknowledges that the shipment is complete and has been received in good condition.

Claims

Logiflex recommends inspecting the shipment before signing the carrier's delivery receipt. You must notify Logiflex of any incomplete shipments or damaged furniture within 30 days after delivery. Requests to replace damaged products can be made via the ["Private Space"](#) section of our website, at www.logiflex.ca. Our after-sales service department will examine your request and help you correct the situation.

Changes

Logiflex reserves the right to make changes to the materials, accessories, components, specifications and designs, and to discontinue collections and/or models, at any time and without prior notice.

Storage and/or Shipping Fees

According to the terms Logiflex set forth in the transport policy. The transport policy can be consulted online in the [Private Space](#).

Items Delivered Disassembled

Some items are delivered disassembled, such as empty desks, empty returns, bridges, arched tables, D, P or Q tables, lateral tables, end tables, hook tables, corner tables and extended-corner tables.

Warranty

Logiflex guarantees to the original purchaser that Logiflex products are free from defects in design, materials and workmanship for the product's lifetime, with certain exceptions.

You may consult the full warranty on the website: [Logiflex Warranty](#)

Introduction



Manufacturing Standards

Product Dimensions

For display purposes, the furniture dimensions represented in the price tables on each product page are rounded to the nearest whole number.

Knocked Down Furniture

Conference tables are delivered disassembled.

Surfaces

Surfaces are either 1" or 1-5/8" thick. Furniture in high pressure laminate are either 1-1/6" or 1-9/16".

Drawer Fronts

A PVC strip 1.5 mm thick is systematically applied along all drawer front edges.

Wood Grain

The wood grain is always vertical on fronts and furniture doors. Surfaces more than 96" are in two parts. Logiflex cannot guarantee that the wood grain will match up on the different parts of a same surface.

Finishes

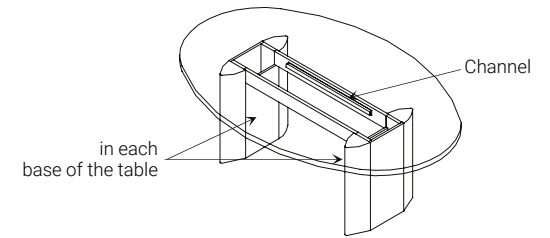
You must specify the desired finish(es) for each item of furniture ordered. Please make your selection(s) from the Logiflex chart. See [Annexe A](#) for further details on the available metal finishes.

Levelers

All freestanding furniture sit on 1" in diameter, white nylon levelers, allowing for up to 1-1/4" height adjustment. The standard finished height for work surfaces is 29".

Access Doors (AD) for Conference Table Bases

An access door can be added to each conference table base, where permitted by the type of base. If applicable, the option (AD) will be offered on the specifications sheet of the conference table in question. This information can be found in the "How to order" section of the conference table specifications pages in this price list.



Introduction

How to Use the Price List

Interactive Menu

Product line: Conference Tables

Product group: Elliptical on Arrow Bases

Product name: ELARW

Product code: ELARW

Product image: [Image of Elliptical on Arrow Bases table]

Product Information: 120" - 168"

Illustrated options: MH1, EL1, EL2, INTA, INTB, INTC, OASA, OASF, OASC

Navigation Buttons (when blue): [Previous View, Previous Page, Next Page, Product Map, Table of Contents]

Ordering instructions: [ML, MLL, MA, MAL, AB, EL, ARW, AD, L C R LR, EL1, EL2, INT - A/B/C, OAS - A/B/C, MH1SN, H V, L C R LR]

Manufacturing Standards:

- Tables delivered disassembled;
- Surfaces longer than 96" are in 2 sections;
- Laminate base with satin nic kel (SN) metal corners.

Additional Product Information and Notes:

- Random wood grain:** For tables that have more than one section, it is important to note that the wood grain texture is random and does not match with the adjoining surface.
- Access Door:** to add one or more access doors to the base(s) add code (AD), \$\$ retail per access door.

Prices:

Dimensions	ML	MLL	MA	MA
A B	****	****	****	****
48120	****	****	****	****
48144	****	****	****	****
60168	****	****	****	****

Series: 48120, 48144, 60168

Prices: [Price values in table]

Dimensions: [Dimensions in table]

Blue text hyperlink: access door and position

Standard Product Code
Details as per the price listed

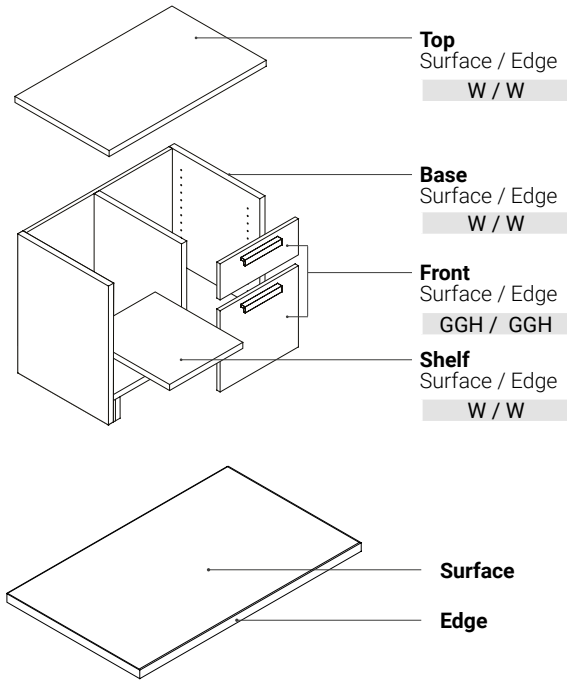
Options, if desired (\$)
Always after the product code

Introduction



Appendix A: Colors and Finishes

How to specify your laminate colors



Glass and Acrylic

V4 White Glass	KR Bright Red Glass
V5 White Satin Glass	KM Metallic Gray Glass
KB Jet Black Glass	KA Satin Silver Glass
KS Black Satin Glass	KG Satin Gold Glass
KE Ocean Blue Glass	VS Frosted Glass
KO Overseas Blue Glass	PL Frosted Acrylic

Availability Chart

FINI FINISH	CODE	COLOR COULEUR	THICKNESS ÉPAISSEUR			HPL STRATIFIÉ	PANVAL CODE
			5/8"	1"	1-5/8"		
OMNIA	DOO	Dosha	•	•		•	K77
	COO	Cosmos	•	•		•	K78
AURA	GIA	Ginger Root Gingembre	•	•		•	H72
	HAA	Haze Brume	•	•	•	•	H57
	OHA	Ohm	•	•	•	•	K69
	STA	Storm Tempête	•	•	•	•	H58
	TUA	Tundra	•	•		•	H75
LYRA	ASY	Asha	•	•		•	K47
	CIY	Chiffon Mousseline **	•	•	•	•	K60
	KAY	Kali	•	•		•	K46
SUPERMAT	IGS	Ingot grey Gris lingot	•	•			828
	WGS	Willow grey Gris saule	•	•			802
DOLOMITE	AU	Audacity Audace **	•	•	•	•	241
	B	Jet Black Noir intense *	•	•		•	888 S405-CA
	BC	Brown cherry Cerisier brun	•	•	•	•	207
	C	Slate Ardoise *	•	•		•	801
	DR	Driftwood Bois de rive	•	•		•	744
	G	Mink Grey Gris vison	•	•		•	805 OU-927
	NM	Natural Maple Érable naturel	•	•	•	•	206
	PO	Porto	•	•		•	913 OU-648
	SW	Smoked Walnut Noyer fumé	•	•	•	•	G21
	TO	Tobacco	•	•		•	205
	W	Polar White Blanc polaire	•	•	•	•	555 459-CA
	WK	Whisky	•	•	•	•	245
	HIGH GLOSS SUPER LUSTRE	W-H	Polar White - fronts Blanc polaire - façades	•			

* Non recommended color for work surfaces.

** For conference tables with 2 or more parts, we do not recommend the use of colors with irregular and contrasted woodgrain like Chiffon, Audacity or Coastal Pear as it results in a pronounced wood grain mismatch.

Colors may vary from 2% to 5% between tfl and hpl laminates due to different technical applications.

See our complete [Colors & Finishes Guide](#)

New



Appendix A: Colors and Finishes

12 Wood Stains

Logiflex offers varnish and stain selection among the following 12 colors on all wood applications.

Knots and color variation can occur between different wood components of the same piece of furniture, or between different pieces of furniture. This variation is due to the natural characteristics of the wood, and is more contrasting for pale wood colors like Golden Wheat.



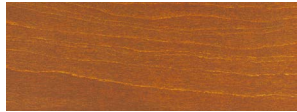
WW White Wash



GW Golden Wheat



SD Sand



AT Apricot



PN Pecan



BR Brandy



CT Chestnut



CF Coffee



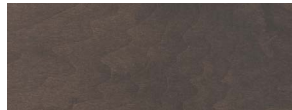
ES Espresso



BO Bordeaux

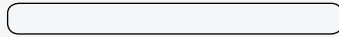


BW Black Wash



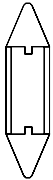
BK Bark

Introduction

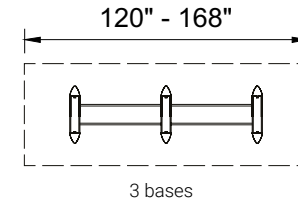
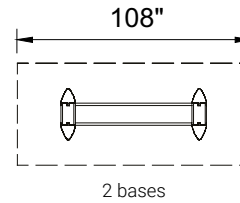
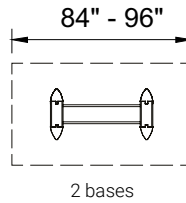
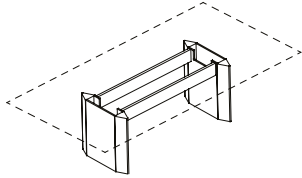


Appendix B: Conference Table Bases

Arrow Bases



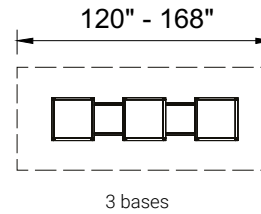
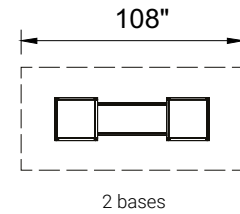
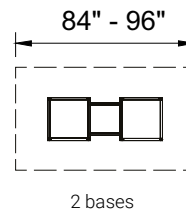
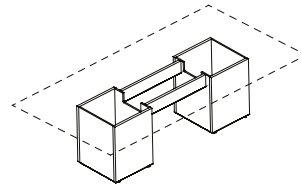
- Laminate base with satin nickel (SN) metal corners;
- Tables delivered disassembled.



Cubic Bases



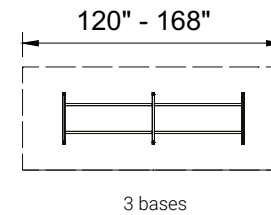
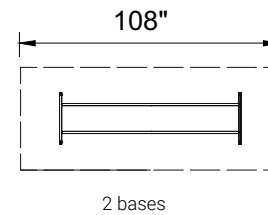
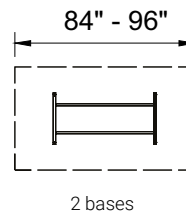
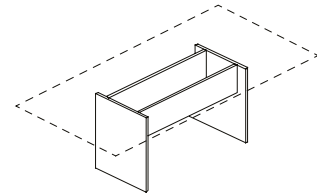
- Laminate base;
- Tables delivered disassembled.



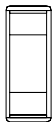
H Bases



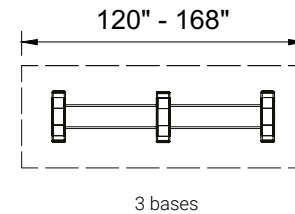
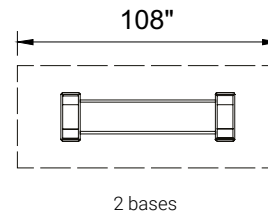
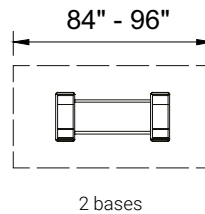
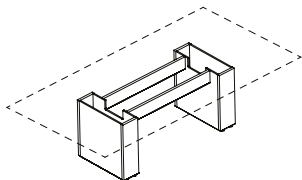
- Laminate base;
- Tables delivered disassembled.



Rectangular Bases



- Laminate base;
- Tables delivered disassembled.



Introduction

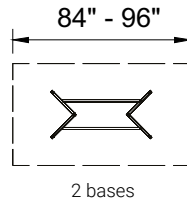
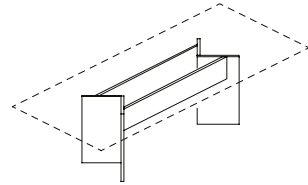


Appendix B: Conference Tables Bases

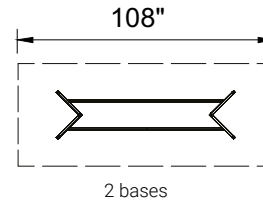
Y Bases



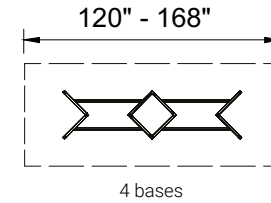
- Laminate base;
- Tables delivered disassembled.



2 bases



2 bases

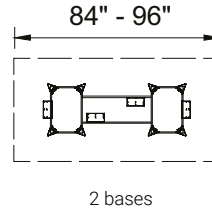
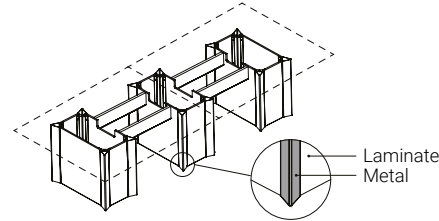


4 bases

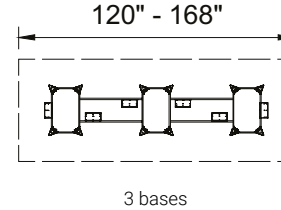
Howard Table Bases



- Laminate base with chrome (CHR) corners;
- Tables delivered disassembled.



2 bases

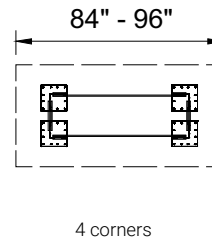
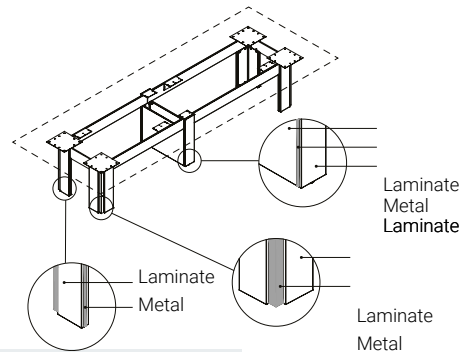


3 bases

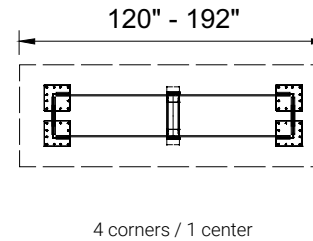
Wellington Bases



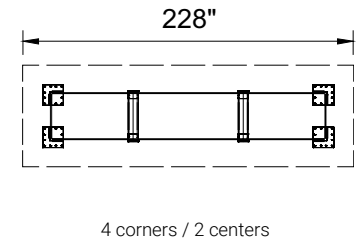
- Laminate base with decorative chrome (CHR) inserts;
- Tables 120\" and longer have 1 middle base and 228\" have 2 middle bases with a removable panel to provide access to electrical wiring;
- Tables delivered disassembled.



4 corners

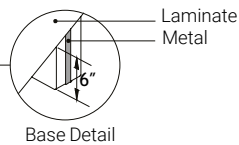
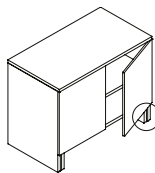


4 corners / 1 center



4 corners / 2 centers

Wellington Credenza Bases



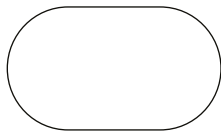
Introduction



Appendix C: Conference Table Surfaces

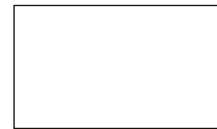
The following charts indicate the number of sections and wood grain direction for conference tables.

RACETRACK

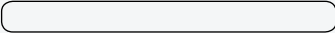


	1" Tops		1-5/8" Tops	
	Number of Sections	Wood Grain Direction	Number of Sections	Wood Grain Direction
42 84	1	←→	2	↑↓
42 96	1	←→	2	↑↓
42 108	2	↑↓	2	↑↓
48 84	1	←→	2	↑↓
48 96	1	←→	2	↑↓
48 120	2	↑↓	2	↑↓
48 144	3	↑↓	3	↑↓
60 144	3	↑↓	3	↑↓
60 168	4	↑↓	4	↑↓

RECTANGULAR



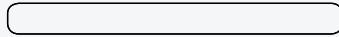
	1" Tops		1-5/8" Tops	
	Number of Sections	Wood Grain Direction	Number of Sections	Wood Grain Direction
42 84	1	←→	2	↑↓
42 96	1	←→	2	↑↓
42 108	2	↑↓	2	↑↓
48 84	1	←→	2	↑↓
48 96	1	←→	2	↑↓
48 120	2	↑↓	2	↑↓
48 144	3	↑↓	3	↑↓
48 168	3	↑↓	4	↑↓
54 84	2	↑↓	2	↑↓
54 96	2	↑↓	2	↑↓
54 120	3	↑↓	3	↑↓
54 144	3	↑↓	3	↑↓
54 168	4	↑↓	4	↑↓
60 84	2	↑↓	2	↑↓
60 96	2	↑↓	2	↑↓
60 120	3	↑↓	3	↑↓
60 144	3	↑↓	3	↑↓
60 168	4	↑↓	4	↑↓
60 192	4	↑↓	4	↑↓
60 228	5	↑↓	5	↑↓



Appendix C: Conference Table Surfaces

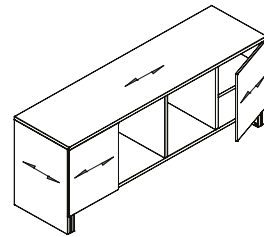
ROUNDED BOAT		1" Tops		1-5/8" Tops	
		Number of Sections	Wood Grain Direction	Number of Sections	Wood Grain Direction
	30 42 84	1	↔	2	↕
	30 42 96	1	↔	2	↕
	30 42 108	2	↕	2	↕
	36 42 84	1	↔	2	↕
	36 42 96	1	↔	2	↕
	36 42 108	2	↕	2	↕
	36 48 84	1	↔	2	↕
	36 48 96	1	↔	2	↕
	36 48 120	2	↕	2	↕
	36 48 144	3	↕	3	↕
	42 48 84	1	↔	2	↕
	42 48 96	1	↔	2	↕
	42 48 120	2	↕	2	↕
	42 48 144	3	↕	3	↕
	42 54 120	3	↕	3	↕
	42 54 144	3	↕	3	↕
	42 54 168	4	↕	4	↕
	48 60 168	4	↕	4	↕
54 60 168	4	↕	4	↕	

TELECONFERENCE		1" Tops	
		Number of Sections	Wood Grain Direction
	54 72 144	3	↕
	54 72 168	4	↕
	60 78 192	4	↕
	60 78 216	5	↕

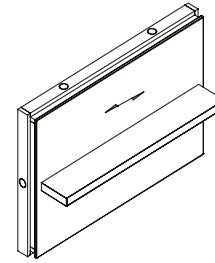


Appendix D: Woodgrain Direction

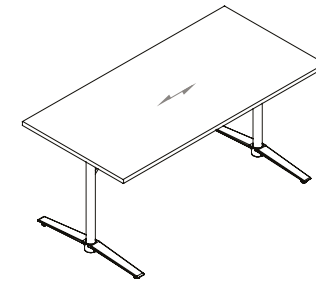
Wood grain runs lengthwise on table surfaces that are in one section. The wood grain is horizontal on doors and legs on credenzas, cabinets and mobile serving carts. See adjacent image for wood grain direction placements.



Credenzas



Wall Units



Tables

Appendix E: Surfaces and Edges

SERIES	PREVIEW	COMPONENT	MATERIAL	EDGES
ML, CS, OS, AC, LV		1" surface	Thermofused laminate (TFL) - 1" high-density particle board.	1.5 mm polyvinyl chloride (PVC)
MLL, CSL, OSL, ACL		1-1/16" surface	High pressure laminate (HPL) - 1" high-density particle board, 1/32" HPL sheet on surface, 1/32" balancing sheet under surface (prevents bending).	1.5 mm polyvinyl chloride (PVC)
MA, CG, OG		1-5/8" surface	Thermofused laminate (TFL) - 1-5/8" high-density particle board.	1.5 mm polyvinyl chloride (PVC)
MAL, CGL, OGL		1-9/16" surface	High pressure laminate (HPL) - 1-1/2" high-density particle board, 1/32" HPL sheet on surface, 1/32" balancing sheet under surface (prevents bending).	1.5 mm polyvinyl chloride (PVC)
CSZ, OSZ		1" surface	1" High-density particle board with Thermofused laminate (TFL).	1.5 mm polyvinyl chloride (PVC)
CSZL, OSZL		1-1/16" surface	High pressure laminate (HPL) - 1" high-density particle board, 1/32" HPL sheet on surface, 1/32" balancing sheet under surface (prevents bending).	1.5 mm polyvinyl chloride (PVC)
All Series		Front, back and modesty	Thermofused laminate (TFL) - 5/8" high-density particle board.	1.5 mm polyvinyl chloride (PVC) on showing surfaces and 0.5 mm polyvinyl chloride (PVC) on non-showing surfaces.

Introduction



Appendix F: Pricing for Additional Adjustable Shelves

To find out the price for additional adjustable shelves, trace down the vertical column "A" the shelf depth to its intersection with columns "B" the shelf length.

\$		B								
		12"	15"	18"	20"	24"	30"	36"	42"	48"
A	12"	22	26	34	36	42	51	63	72	83
	15"	26	35	40	43	51	65	78	90	105
	16"	27	36	42	45	56	70	83	97	111
	20"	36	43	51	58	70	86	105	122	137
	24"	42	51	63	70	83	105	125	144	167
	30"	51	65	78	86	105	129			

Introduction

Appendix G: Pricing for Tops

To calculate pricing for desk and table tops, use the following formula:

Calculation of retail price

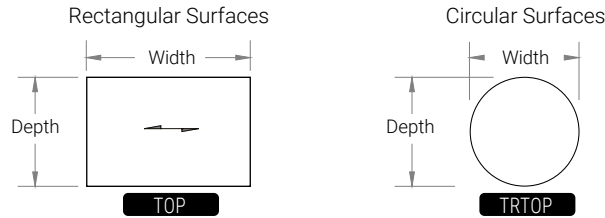
Depth x Width / 144 x sq. ft. price = Retail Price*

Ex.: 24" x 48" = 1152 / 144 = 8 sq. ft. price x \$45 = \$288

Addition of the Knife Edge

Depth x Width / 144 x \$29 = Retail Price

Add together the prices of the surface and the knife edge.



Retail Price per square foot							
ML		MLL		MA		MAL	
Rectangular Surfaces	Circular Surfaces	Rectangular Surfaces	Circular Surfaces	Rectangular Surfaces	Circular Surfaces	Rectangular Surfaces	Circular Surfaces
\$ 23	\$ 29	\$ 45	\$ 47	\$ 41	\$ 43	\$ 66	\$ 69
Depth 30" and less							
\$ 24	Depth greater than 30"						
1" Surface: Thermofused laminate (TFL) - 1" high-density particle board with 1.5 mm polyvinyl chloride edge.		1-1/16" Surface: High pressure laminate (HPL) - 1" high-density particle board, 1/32" HPL sheet on surface, 1/32" balancing sheet under surface (prevents bending) with 1.5 mm PVC edge.		1-5/8" surface: Thermofused laminate (TFL) - 1-5/8" high-density particle board with 1.5 mm polyvinyl chloride edge.		1-9/16" Surface: High pressure laminate (HPL) - 1-1/2" high-density particle board, 1/32" HPL sheet on surface, 1/32" balancing sheet under surface (prevents bending) with 1.5 mm polyvinyl chloride edge.	

*Note: A minimum fee of \$100 is applied to prices of lesser amounts.

Surface Price Calculator



In the fields below, input the desired depth and width as well as the square foot price found in the above price grid.

Dimensions

in. x in. / 144 x \$

Depth Width Square foot price

= \$ **Total (surface only)** \$ **Total (with knife edge)**

ML / MLL ONLY

Grommets: It is possible to add grommets to the rectangular surfaces.

Options

Grommet Position

Grommet Style

\$0 ea. \$26 ea.

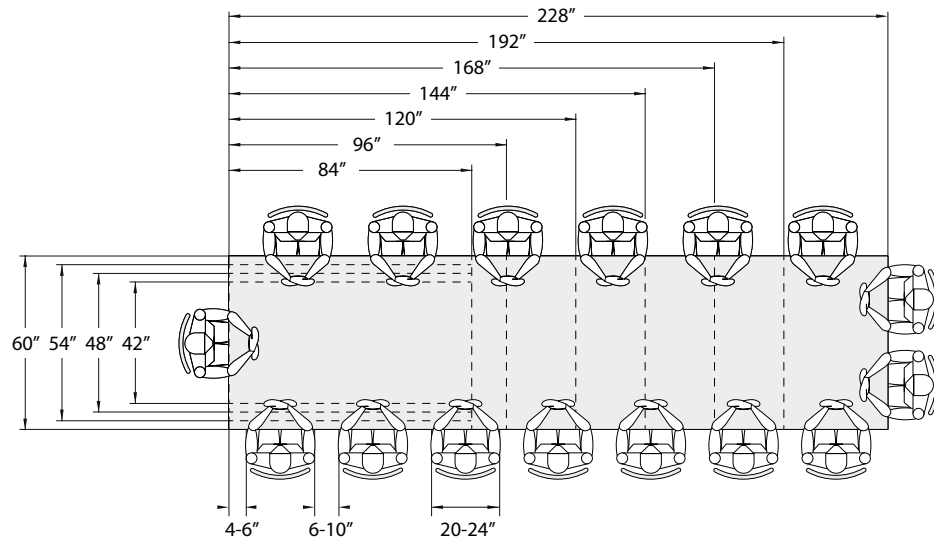
Introduction



Appendix H: Seating Capacity

In general, to establish conference table seating capacity it is important to include a workzone to accommodate documents and papers. The spacing of chairs is not only important in terms of defining comfortable work zones but essential in providing optimal line of sight where the room incorporates a multi media unit.

Rectangular Conference Tables



Teleconference Tables

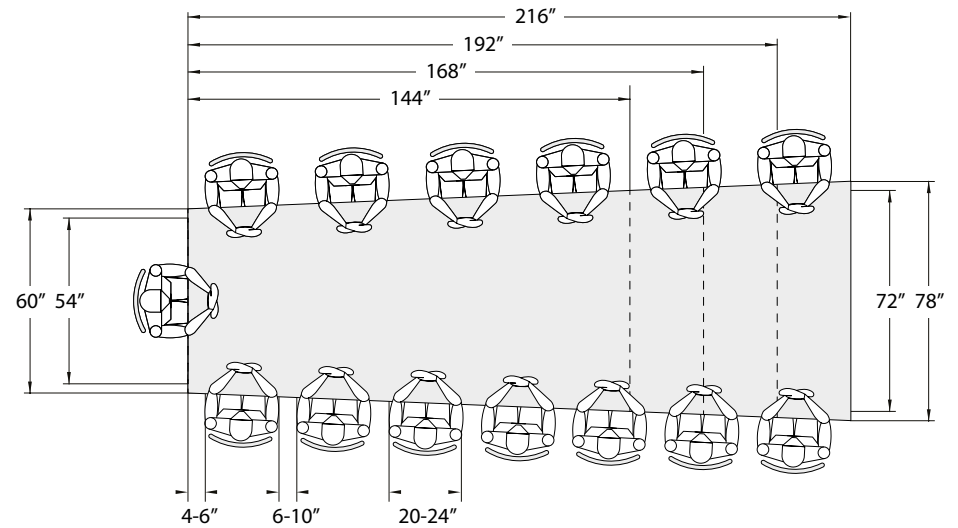
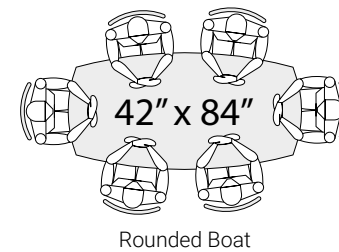
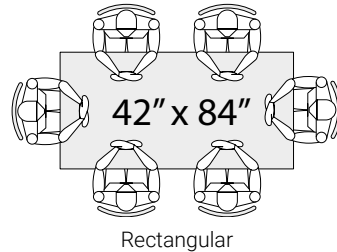
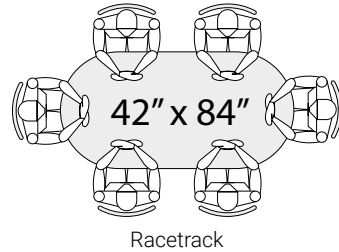
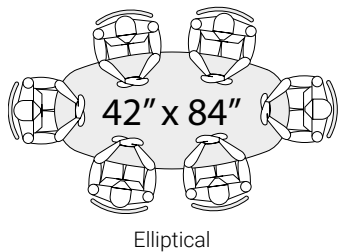


Table Shape and Seating Capacity

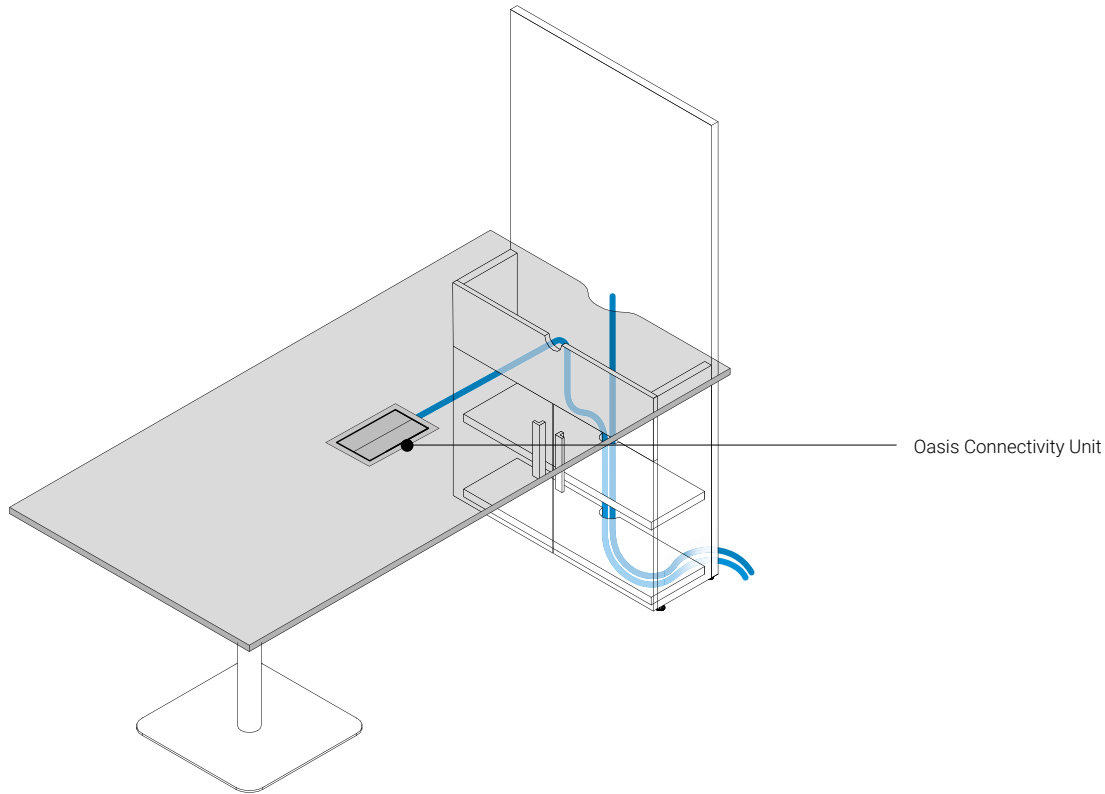
The shape of the conference surface does not affect the seating capacity for tables with the same dimensions.





Appendix I: Electrical Wire Management Solutions

Electrical configurations for Collaborative and Multimedia Tables



Electrical Accessories

Connectivity	Wireless charger	Velcro Tie
 Specify connectivity on p. 126		

CHICAGO CODE

There is a specific norm about Chicago electrical components. Some of our products are approved, but not all of them.

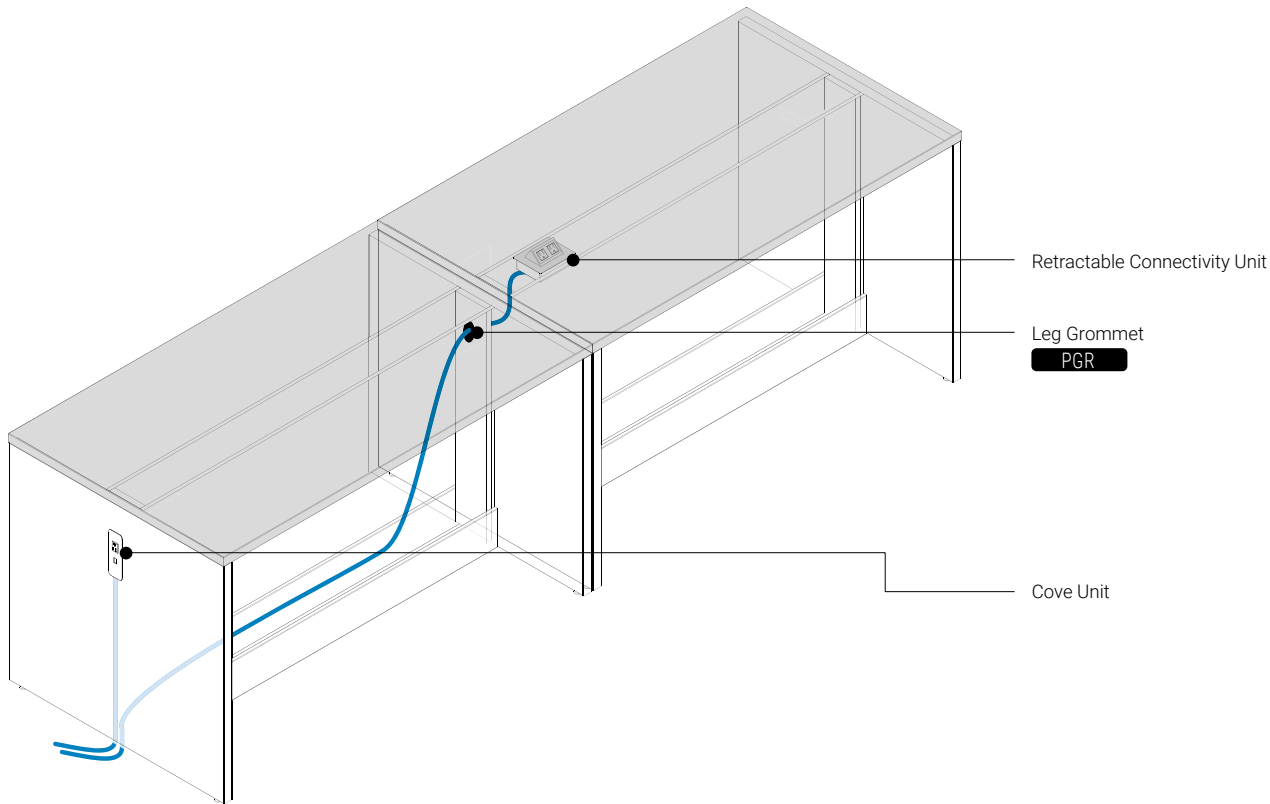
If you see this logo in [Accessories](#), this means the product is **NOT** approved in Chicago. More info [here](#).

Introduction



Appendix I: Electrical Wire Management Solutions

Electrical configurations for Link Collaboration Tables



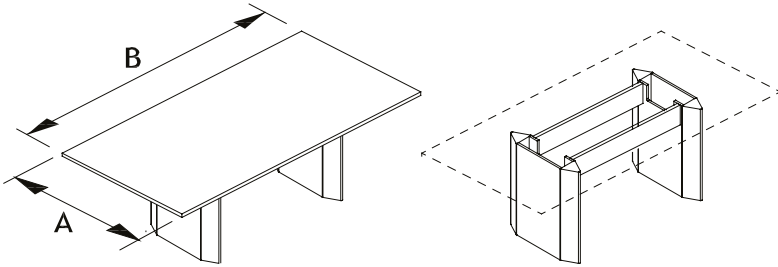
Electrical Accessories

<p>Leg Grommet</p> <p>PGR</p>	<p>L C R</p> <p>Grommet/Connectivity/Wireless Charger</p>	<p>Connectivity</p>
--------------------------------------	--	----------------------------

Conference Tables

Rectangular on Arrow Bases

TARW



Manufacturing Standards

- Tables delivered disassembled;
- Laminate base with satin nickel (SN) metal corners.

Bases: For the number of bases, see [appendix B](#).

Surfaces: For the number of surfaces and the wood grain direction, see [appendix C](#).

Random wood grain: For tables that have more than one section, it is important to note that the wood grain texture is random and does not match with the adjoining surface.

Access Door: to add one or more access doors to the base(s) add code (AD), \$272 retail per access door.

Options

Connectivity

Specify connectivity on [p. 126](#)



\$684



\$832

\$679



\$721

\$1 137

\$932



\$2 619

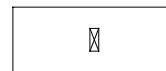
\$3 035

\$2 830

Orientation

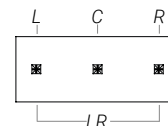


H - Horizontal



V - Vertical

Position



Prices

Dimensions		ML	MLL	MA	MAL
A	B				
4284		1895	2440	2246	2842
4296		1987	2610	2400	3072
42108		2703	3400	3141	3920
<hr/>					
4884		1987	2610	2400	3072
4896		2095	2808	2575	3335
48120		2836	3530	3273	4051
48144		3141	4215	3861	5004
<hr/>					
60168		3806	5381	4907	6530

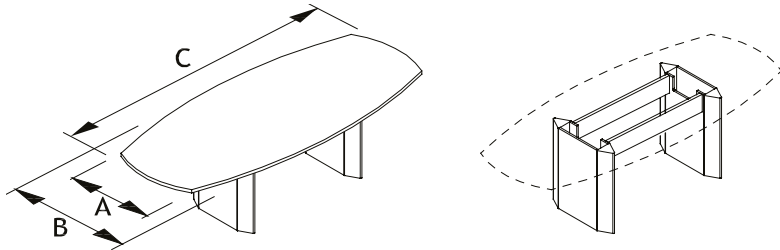
How to Order

ML MLL MA MAL	AB	T	ARW	WH SN	AD	L C R LR	EL1, EL2 INT - A/B/C OAS - A/B/C MH1SN	H V	L C R LR
series	dimensions	top	bases	metal finish (Appx. A)	access door and position	connectivity + orientation + position			
Example ML	48120	T	ARW	SN	AD	C	MH1SN	H	C

Conference Tables

Rounded Boat on Arrow Bases

BTRARW



Manufacturing Standards

- Tables delivered disassembled;
- Laminate base with satin nickel (SN) metal corners.

Bases: For the number of bases, see [appendix B](#).

Surfaces: For the number of surfaces and the wood grain direction, see [appendix C](#).

Random wood grain: For tables that have more than one section, it is important to note that the wood grain texture is random and does not match with the adjoining surface.

Access Door: to add one or more access doors to the base(s) add code (AD), \$272 retail per access door.

Options

Connectivity

Specify connectivity on [p. 126](#)



\$684



\$832 \$679

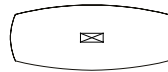


\$721 \$1 137 \$932

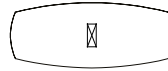


\$2 619 \$3 035 \$2 830

Orientation

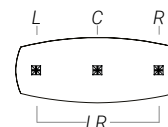


H - Horizontal



V - Vertical

Position



Prices

Dimensions						
A	B	C	ML	MLL	MA	MAL
364284	2059	2621	2420	3022		
364296	2147	2793	2571	3253		
3642108	2465	3386	3096	4040		
424884	2147	2793	2571	3253		
424896	2256	2988	2750	3518		
4248120	2857	3586	3315	4098		
4248144	3290	4396	4036	5184		
5460168	3950	5563	5078	6689		

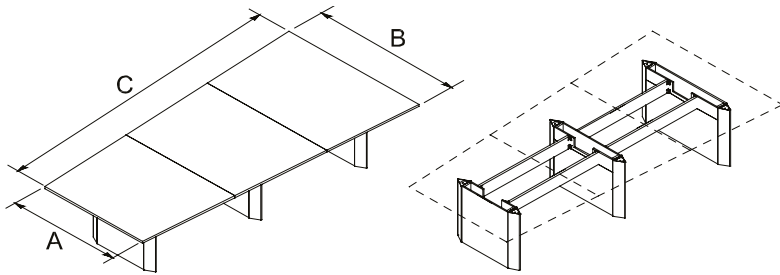
How to Order

ML MLL MA MAL	ABC	BTR	ARW	WH SN	AD	L C R LR	EL1, EL2 INT - A/B/C OAS - A/B/C MH1SN	H V	L C R LR	
series	dimensions	top	bases	metal finish (Appx. A)	access door and position	connectivity + orientation + position				
Example	ML	4248120	BTR	ARW	SN	AD	C	MH1SN	H	C

Conference Tables

Teleconference on Arrow Bases

TFARW



Manufacturing Standards

- Tables delivered disassembled;
- Laminate base with satin nickel (SN) metal corners.

Bases: For the number of bases, see [appendix B](#).

Surfaces: For the number of surfaces and the wood grain direction, see [appendix C](#).

Random wood grain: For tables that have more than one section, it is important to note that the wood grain texture is random and does not match with the adjoining surface.

Access Door: to add one or more access doors to the base(s) add code (AD), \$272 retail per access door.

Options

Connectivity

Specify connectivity on [p. 126](#)



\$684



\$832

\$679



\$721

\$1 137

\$932

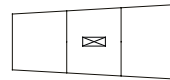


\$2 619

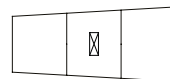
\$3 035

\$2 830

Orientation

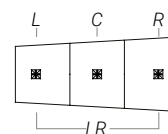


H - Horizontal



V - Vertical

Position



Prices

Dimensions		
A	B	C
5472144	3377	4837
5472168	3946	5650
6078192	5006	7123
6078216	5631	8012

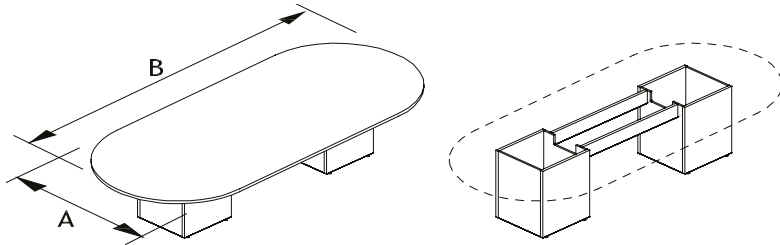
How to Order

CS CSL	ABC	TF	ARW	WH SN	AD	L C R LR	EL1, EL2 INT - A/B/C OAS - A/B/C MH1SN	H V	L C R LR
series	dimensions	top	bases	metal finish (Appx. A)	access door and position	connectivity + orientation + position			
Example CS	5472144	TF	ARW	SN	AD	C	MH1SN	H	C

Conference Tables

Racetrack on Cubic Bases

RTCU



Manufacturing Standards

- Tables delivered disassembled;
- Laminate base.

Bases: For the number of bases, see [appendix B](#).

Surfaces: For the number of surfaces and the wood grain direction, see [appendix C](#).

Random wood grain: For tables that have more than one section, it is important to note that the wood grain texture is random and does not match with the adjoining surface.

Access Door: to add one or more access doors to the base(s) add code (AD), \$272 retail per access door.

Options

Connectivity

Specify connectivity on [p. 126](#)



\$684



\$832 \$679



\$721 \$1 137 \$932

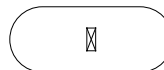


\$2 619 \$3 035 \$2 830

Orientation

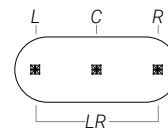


H - Horizontal



V - Vertical

Position



Prices

Dimensions

A	B	ML	MLL	MA	MAL
4284		1573	1934	1765	2266
4296		1637	2069	1882	2437
42108		1749	2553	2332	2860

4884		1681	1965	1772	2356
4896		1764	2471	2255	3015
48120		1958	3015	2742	3540
48144		2367	3397	3086	4033

60168		2717	4652	4213	5576
-------	--	------	------	------	------

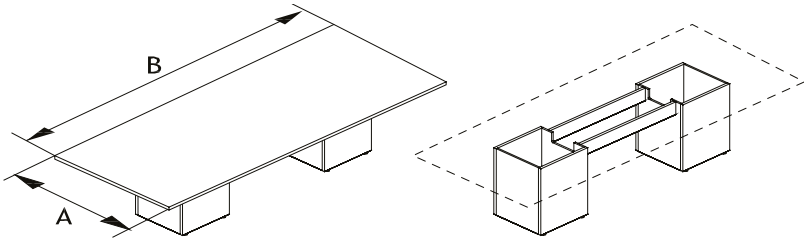
How to Order

ML MLL MA MAL	AB	RT	CU	AD	L C R LR	EL1, EL2 INT - A/B/C OAS - A/B/C MH1SN	H V	L C R LR	
series	dimensions	top	bases	access door and position	connectivity + orientation + position				
Example	ML	48120	RT	CU	AD	C	MH1SN	H	C

Conference Tables

Rectangular on Cubic Bases

TCU



Manufacturing Standards

- Tables delivered disassembled;
- Laminate base.

Bases: For the number of bases, see [appendix B](#).

Surfaces: For the number of surfaces and the wood grain direction, see [appendix C](#).

Random wood grain: For tables that have more than one section, it is important to note that the wood grain texture is random and does not match with the adjoining surface.

Access Door: to add one or more access doors to the base(s) add code (AD), \$272 retail per access door.

Options

Connectivity

Specify connectivity on [p. 126](#)



\$684



\$832 \$679

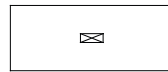


\$721 \$1 137 \$932

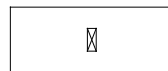


\$2 619 \$3 035 \$2 830

Orientation

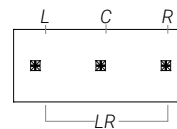


H - Horizontal



V - Vertical

Position



Prices

Dimensions		ML	MLL	MA	MAL
A	B				
4284		1484	1807	1688	2175
4296		1547	1975	1793	2344
42108		1660	2283	2076	2703
<hr/>					
4884		1558	2115	1927	2506
4896		1660	2196	1988	2621
48120		1832	2712	2475	3269
48144		2218	3124	2825	3774
<hr/>					
60168		2497	3912	3505	4852

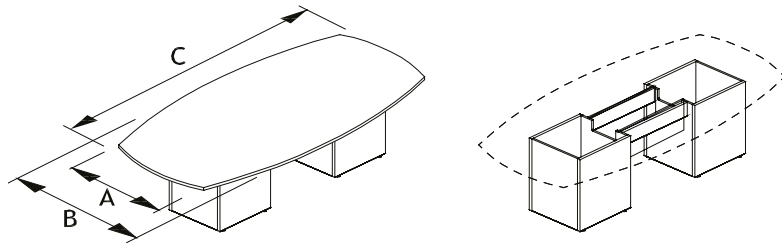
How to Order

ML MLL MA MAL	AB	T	CU	AD	L C R LR	EL1, EL2 INT - A/B/C OAS - A/B/C MH1SN	H V	L C R LR	
series	dimensions	top	bases	access door and position	connectivity + orientation + position				
Example	ML	48120	T	CU	AD	C	MH1SN	H	C

Conference Tables

Rounded Boat on Cubic Bases

BTRCU



Manufacturing Standards

- Tables delivered disassembled;
- Laminate base.

Bases: For the number of bases, see [appendix B](#).

Surfaces: For the number of surfaces and the wood grain direction, see [appendix C](#).

Random wood grain: For tables that have more than one section, it is important to note that the wood grain texture is random and does not match with the adjoining surface.

Access Door: to add one or more access doors to the base(s) add code (AD), \$272 retail per access door.

Options

Connectivity

Specify connectivity on [p. 126](#)



\$684



\$832 \$679

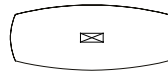


\$721 \$1 137 \$932

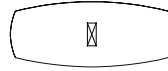


\$2 619 \$3 035 \$2 830

Orientation

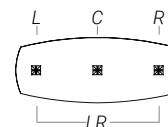


H - Horizontal



V - Vertical

Position



Prices

Dimensions						
A	B	C	ML	MLL	MA	MAL
304284	1722	2113	1936	2517		
304296	1842	2247	2051	2706		
3042108	1954	2660	2435	3177		
<hr/>						
364896	1887	2577	2356	3102		
3648120	2081	3122	2847	3777		
3648144	2504	3504	3187	4292		
<hr/>						
5460168	2739	4366	3959	5295		

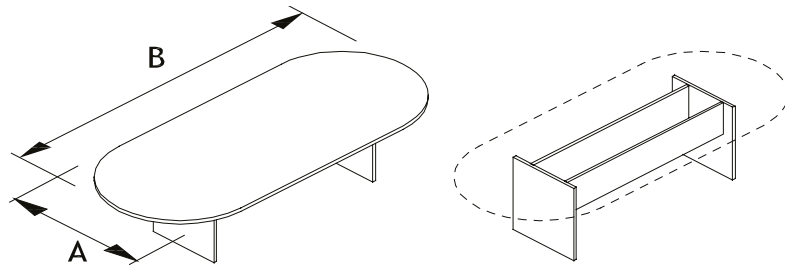
How to Order

ML MLL MA MAL	ABC	BTR	CU	AD	L C R LR	EL1, EL2 INT - A/B/C OAS - A/B/C MH1SN	H V	L C R LR
series	dimensions	top	bases	access door and position	connectivity + orientation + position			
Example	ML 3648120	BTR	CU	AD	C	MH1SN	H	C

Conference Tables

Racetrack on H Bases

RTH



Manufacturing Standards

- Tables delivered disassembled;
- Laminate base.

Bases: For the number of bases, see [appendix B](#).

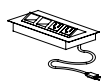
Surfaces: For the number of surfaces and the wood grain direction, see [appendix C](#).

Random wood grain: For tables that have more than one section, it is important to note that the wood grain texture is random and does not match with the adjoining surface.

Options

Connectivity

Specify connectivity on [p. 126](#)



\$684



\$832 \$679



\$721 \$1 137 \$932

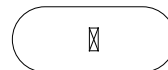


\$2 619 \$3 035 \$2 830

Orientation

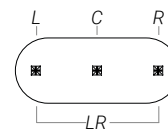


H - Horizontal



V - Vertical

Position



Prices

Dimensions		ML	MLL	MA	MAL
A	B				
4284		1408	1855	1769	2342
4296		1517	1953	1859	2506
42108		1628	2345	2234	2967
4884		1517	2208	2018	2671
4896		1527	2338	2126	2863
48120		1887	2907	2648	3568
48144		1944	3294	2985	4085
60168		2799	4549	4115	5585

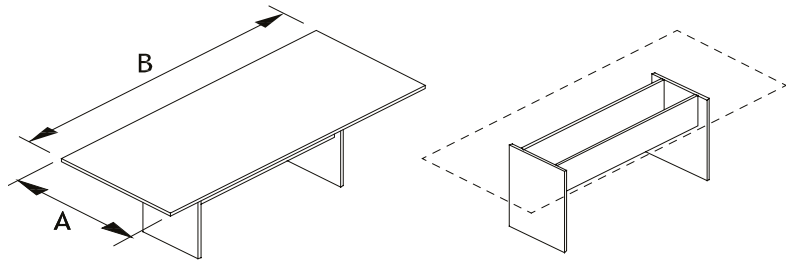
How to Order

ML MLL MA MAL	AB	RT	H	EL1, EL2 INT - A/B/C OAS - A/B/C MH1SN	H V	L C R LR
series	dimensions	top	bases	connectivity + orientation + position		
Example ML	4884	RT	H	MH1SN	H	C

Conference Tables

Rectangular on H Bases

TH



Manufacturing Standards

- Tables delivered disassembled;
- Laminate base.

Bases: For the number of bases, see [appendix B](#).

Surfaces: For the number of surfaces and the wood grain direction, see [appendix C](#).

Random wood grain: For tables that have more than one section, it is important to note that the wood grain texture is random and does not match with the adjoining surface.

Options

Connectivity

Specify connectivity on [p. 126](#)



\$684



\$832 \$679



\$721 \$1 137 \$932



\$2 619 \$3 035 \$2 830

Orientation

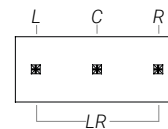


H - Horizontal



V - Vertical

Position



Prices

Dimensions		ML	MLL	MA	MAL
A	B				
4284		1206	1749	1637	2201
4296		1318	1935	1762	2400
42108		1544	2448	2234	2967
<hr/>					
4884		1318	1935	1762	2400
4896		1443	2357	2144	2884
48120		1770	2846	2648	3568
48144		1936	3216	2985	4085
<hr/>					
60168		2484	4333	4016	5598

How to Order

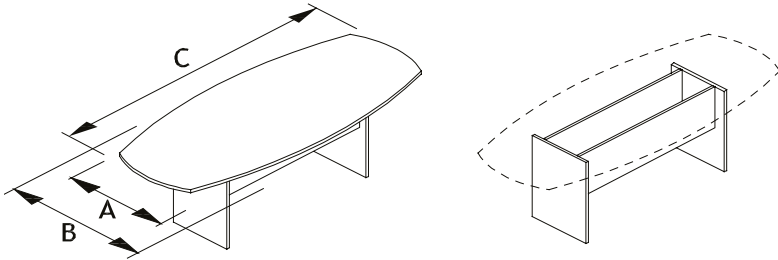
ML MLL MA MAL	AB	T	H	EL1, EL2 INT - A/B/C OAS - A/B/C MH1SN	H V	L C R LR
series	dimensions	top	bases	connectivity + orientation + position		

Example ML 4884 T H MH1SN H C

Conference Tables

Rounded Boat on H Bases

BTRH



Manufacturing Standards

- Tables delivered disassembled;
- Laminate base.

Bases: For the number of bases, see [appendix B](#).

Surfaces: For the number of surfaces and the wood grain direction, see [appendix C](#).

Random wood grain: For tables that have more than one section, it is important to note that the wood grain texture is random and does not match with the adjoining surface.

Options

Connectivity

Specify connectivity on [p. 126](#)



\$684



\$832 \$679

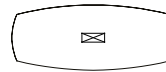


\$721 \$1 137 \$932

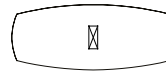


\$2 619 \$3 035 \$2 830

Orientation

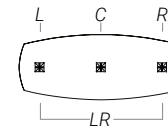


H - Horizontal



V - Vertical

Position



Prices

Dimensions						
A	B	C	ML	MLL	MA	MAL
364284	1511	2032	1935	2514		
364296	1617	2179	2076	2730		
3642108	1729	2396	2280	3073		
424884	1617	2204	2099	2758		
424896	1628	2339	2228	2972		
4248120	1988	2889	2752	3677		
4248144	2060	3108	2960	4187		
5460168	2630	4142	4215	5805		

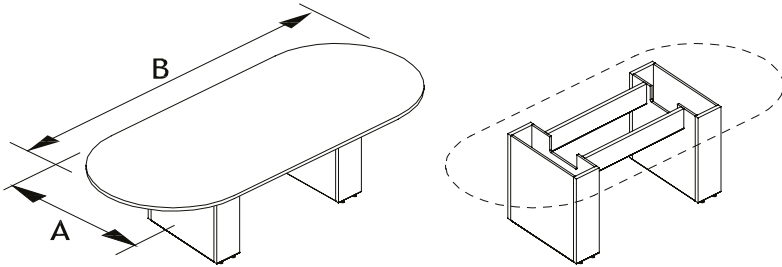
How to Order

ML MLL MA MAL	ABC	BTR	H	EL1, EL2 INT - A/B/C OAS - A/B/C MH1SN	H V	L C R LR
series	dimensions	top	bases	connectivity + orientation + position		
Example ML	424884	BTR	H	MH1SN	H	C

Conference Tables

Racetrack on Rectangular Bases

RTRE



Manufacturing Standards

- Tables delivered disassembled;
- Laminate base.

Bases: For the number of bases, see [appendix B](#).

Surfaces: For the number of surfaces and the wood grain direction, see [appendix C](#).

Random wood grain: For tables that have more than one section, it is important to note that the wood grain texture is random and does not match with the adjoining surface.

Access Door: to add one or more access doors to the base(s) add code (AD), \$272 retail per access door.

Options

Connectivity

Specify connectivity on [p. 126](#)



\$684



\$832 \$679



\$721 \$1 137 \$932

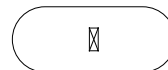


\$2 619 \$3 035 \$2 830

Orientation

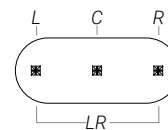


H - Horizontal



V - Vertical

Position



Prices

Dimensions

A	B	ML	MLL	MA	MAL
4284		1894	2456	2264	2859
4296		1983	2630	2413	3090
42108		2609	3335	3079	3854
4884		1983	2630	2413	3090
4896		2092	2825	2594	3352
48120		2300	3220	2941	3878
48144		3045	4148	3801	4936
60168		3705	5315	4844	6465

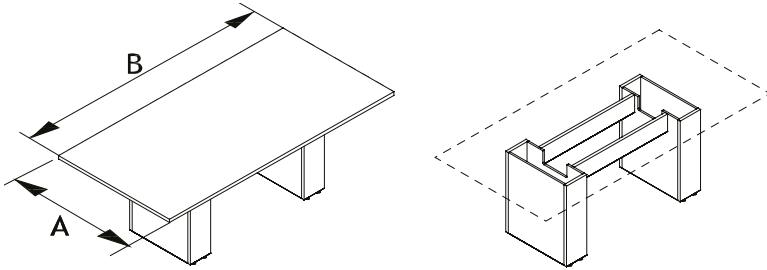
How to Order

ML MLL MA MAL	AB	RT	RE	AD	L C R LR	EL1, EL2 INT - A/B/C OAS - A/B/C MH1SN	H V	L C R LR	
series	dimensions	top	bases	access door and position	connectivity + orientation + position				
Example	ML	48120	RT	RE	AD	C	MH1SN	H	C

Conference Tables

Rectangular on Rectangular Bases

TRE



Manufacturing Standards

- Tables delivered disassembled;
- Laminate base.

Bases: For the number of bases, see [appendix B](#).

Surfaces: For the number of surfaces and the wood grain direction, see [appendix C](#).

Random wood grain: For tables that have more than one section, it is important to note that the wood grain texture is random and does not match with the adjoining surface.

Access Door: to add one or more access doors to the base(s) add code (AD), \$272 retail per access door.

Options

Connectivity

Specify connectivity on [p. 126](#)



\$684



\$832 \$679



\$721 \$1 137 \$932



\$2 619 \$3 035 \$2 830

Orientation

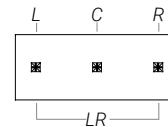


H - Horizontal



V - Vertical

Position



Prices

Dimensions

A	B	ML	MLL	MA	MAL
4284		1727	2276	2092	2676
4296		1820	2448	2242	2905
42108		2139	3040	2769	3695
4884		1820	2448	2242	2905
4896		1930	2645	2420	3171
48120		2454	3154	2904	3675
48144		2893	3970	3628	4758
60168		3557	5135	4671	6285

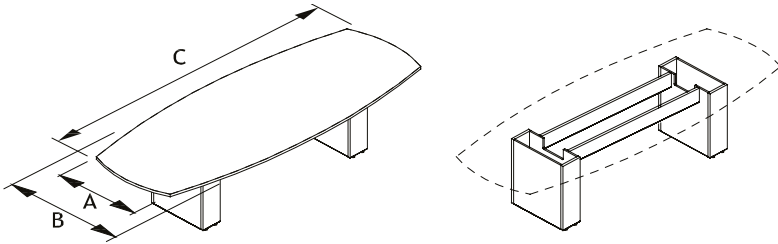
How to Order

ML MLL MA MAL	AB	T	RE	AD	L C R LR	EL1, EL2 INT - A/B/C OAS - A/B/C MH1SN	H V	L C R LR
series	dimensions	top	bases	access door and position	connectivity + orientation + position			
Example ML	48120	T	RE	AD	C	MH1SN	H	C

Conference Tables

Rounded Boat on Rectangular Bases

BTRRE



Manufacturing Standards

- Tables delivered disassembled;
- Laminate base.

Bases: For the number of bases, see [appendix B](#).

Surfaces: For the number of surfaces and the wood grain direction, see [appendix C](#).

Random wood grain: For tables that have more than one section, it is important to note that the wood grain texture is random and does not match with the adjoining surface.

Access Door: to add one or more access doors to the base(s) add code (AD), \$272 retail per access door.

Options

Connectivity

Specify connectivity on [p. 126](#)



\$684



\$832 \$679

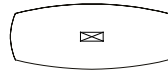


\$721 \$1 137 \$932

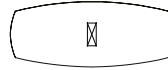


\$2 619 \$3 035 \$2 830

Orientation

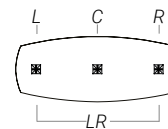


H - Horizontal



V - Vertical

Position



Prices

Dimensions						
A	B	C	ML	MLL	MA	MAL
364296	1983	2630	2413	3090		
3642108	2609	3335	3079	3854		
424884	1983	2630	2413	3090		
424896	2092	2825	2594	3352		
4248120	2300	3220	2941	3878		
4248144	3045	4148	3801	4936		
5460168	3705	5315	4844	6465		

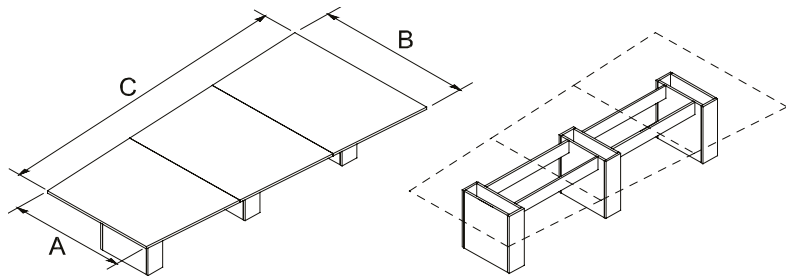
How to Order

ML MLL MA MAL	ABC	BTR	RE	AD	L C R LR	EL1, EL2 INT - A/B/C OAS - A/B/C MH1SN	H V	L C R LR
series	dimensions	top	bases	access door and position	connectivity + orientation + position			
Example	ML 4248120	BTR	RE	AD	C	MH1SN	H	C

Conference Tables

Teleconference on Rectangular Bases

TFRE



Manufacturing Standards

- Tables delivered disassembled;
- Laminate base.

Bases: For the number of bases, see [appendix B](#).

Surfaces: For the number of surfaces and the wood grain direction, see [appendix C](#).

Random wood grain: For tables that have more than one section, it is important to note that the wood grain texture is random and does not match with the adjoining surface.

Access Door: to add one or more access doors to the base(s) add code (AD), \$272 retail per access door.

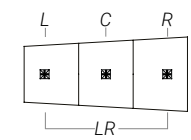
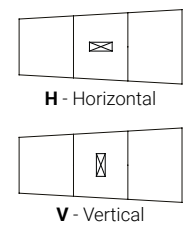
Options

Connectivity
Specify connectivity on [p. 126](#)

Orientation

Position

\$684 \$832 \$679 \$721 \$1 137 \$932 \$2 619 \$3 035 \$2 830



Prices

Dimensions				
A	B	C	CS	CSL
5472144			2895	4329
5472168			3129	4790
6078192			3836	5887
6078216			4303	6616

How to Order

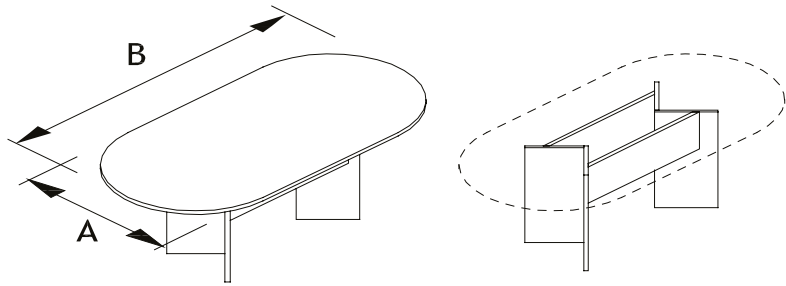
CS CSL	ABC	TF	RE	AD	L C R LR	EL1, EL2 INT - A/B/C OAS - A/B/C MH1SN	H V	L C R LR
series	dimensions	top	bases	access door and position	connectivity + orientation + position			
Example CS	5472144	TF	RE	AD	C	MH1SN	H	C

Conference Tables



Racetrack on Y Bases

RTY



Manufacturing Standards

- Tables delivered disassembled;
- Laminate base.

Bases: For the number of bases, see [appendix B](#).

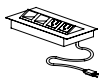
Surfaces: For the number of surfaces and the wood grain direction, see [appendix C](#).

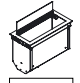
Random wood grain: For tables that have more than one section, it is important to note that the wood grain texture is random and does not match with the adjoining surface.

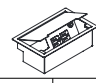
Options

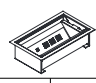
Connectivity

Specify connectivity on [p. 126](#)



 \$684



 \$832 \$679


 \$721 \$1 137 \$932

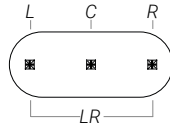

 \$2 619 \$3 035 \$2 830

Orientation


H - Horizontal


V - Vertical

Position



Prices

Dimensions		ML	MLL	MA	MAL
A	B				
4284		1455	1941	1814	2389
4296		1567	2001	1905	2553
42108		1678	2378	2170	2900
<hr/>					
4884		1567	2038	1941	2592
4896		1577	2379	2164	2903
48120		1936	2953	2686	3608
48144		1998	3336	3027	4124
<hr/>					
60168		2859	4590	4151	5667

How to Order

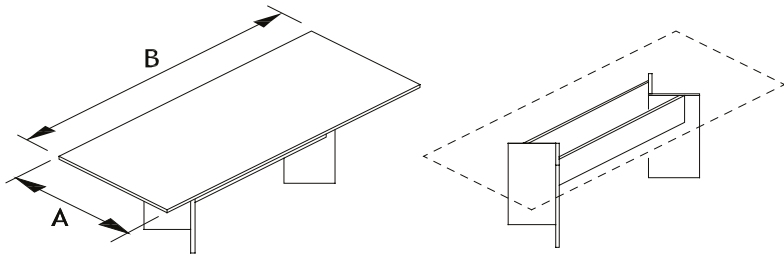
ML MLL MA MAL	AB			EL1, EL2 INT - A/B/C OAS - A/B/C MH1SN	H V	L C R LR
		RT	Y			
series	dimensions	top	bases	connectivity + orientation + position		
Example	ML	48120	RT	Y	MH1SN	H C

Conference Tables



Rectangular on Y Bases

TY



Manufacturing Standards

- Tables delivered disassembled;
- Laminate base.

Bases: For the number of bases, see [appendix B](#).

Surfaces: For the number of surfaces and the wood grain direction, see [appendix C](#).

Random wood grain: For tables that have more than one section, it is important to note that the wood grain texture is random and does not match with the adjoining surface.

Options

Connectivity

Specify connectivity on [p. 126](#)

\$684 \$832 \$679 \$721

\$1 137 \$932 \$2 619 \$3 035 \$2 830

Orientation

H - Horizontal

V - Vertical

Position

Prices

Dimensions		ML	MLL	MA	MAL
A	B				
4284		1254	1792	1677	2242
4296		1370	1976	1801	2442
42108		1479	2495	2281	3018
<hr/>					
4884		1370	1982	1808	2449
4896		1491	2407	2192	2933
48120		1817	2895	2694	3618
48144		1967	3266	3035	4133
<hr/>					
60168		2545	4400	4081	5664

How to Order

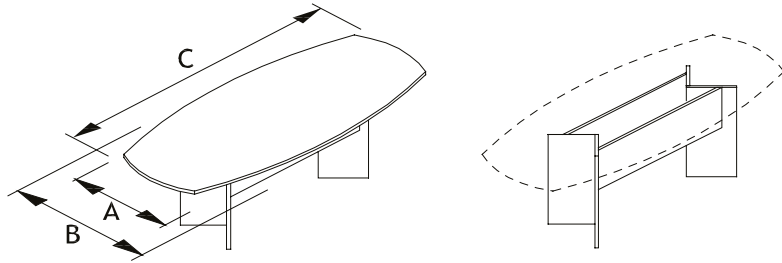
ML MLL MA MAL	AB	T	Y	EL1, EL2 INT - A/B/C OAS - A/B/C MH1SN	H V	L C R LR
series	dimensions	top	bases	connectivity + orientation + position		
Example	ML	48120	T	Y	MH1SN	H C

Conference Tables



Rounded Boat on Y Bases

BTRY



Manufacturing Standards

- Tables delivered disassembled;
- Laminate base.

Bases: For the number of bases, see [appendix B](#).

Surfaces: For the number of surfaces and the wood grain direction, see [appendix C](#).

Random wood grain: For tables that have more than one section, it is important to note that the wood grain texture is random and does not match with the adjoining surface.

Options

Connectivity
Specify connectivity on [p. 126](#)



\$684



\$832 \$679

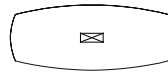


\$721 \$1 137 \$932

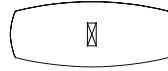


\$2 619 \$3 035 \$2 830

Orientation

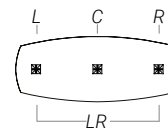


H - Horizontal



V - Vertical

Position



Prices

Dimensions						
A	B	C	ML	MLL	MA	MAL
364284	1558	2077	1978	2559		
364296	1667	2221	2115	2772		
3642108	1778	2501	2381	3124		
424884	1667	2237	2132	2799		
424896	1678	2381	2270	3015		
4248120	2036	2935	2797	3724		
4248144	2098	3292	3135	4239		
5460168	2693	4208	4279	5871		

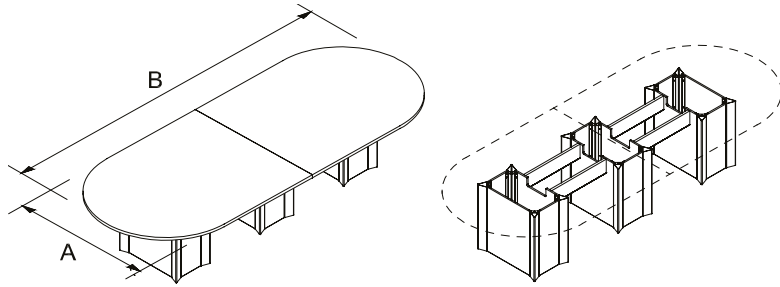
How to Order

ML MLL MA MAL	ABC	BTR	Y	EL1, EL2 INT - A/B/C OAS - A/B/C MH1SN	H V	L C R LR
series	dimensions	top	bases	connectivity + orientation + position		
Example	ML 4248120	BTR	Y	MH1SN	H	C

Conference Tables

Racetrack on Howard Bases

RTHOW



Manufacturing Standards

- Tables delivered disassembled;
- Laminate base with metal corners.

Bases: For the number of bases, see [appendix B](#).

Surfaces: For the number of surfaces and the wood grain direction, see [appendix C](#).

Random wood grain: For tables that have more than one section, it is important to note that the wood grain texture is random and does not match with the adjoining surface.

Access Door: to add one or more access doors to the base(s) add code (AD), \$272 retail per access door.

Options

Connectivity

Specify connectivity on [p. 126](#)



\$684



\$832

\$679



\$721

\$1 137

\$932



\$2 619

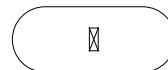
\$3 035

\$2 830

Orientation

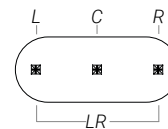


H - Horizontal



V - Vertical

Position



Prices

Dimensions

A B CS CSL CG CGL

(SN) Satin nickel or (PB) white base

4884 2812 3455 3290 3955

4896 2852 3569 3400 4143

48120 3850 4760 4535 5478

48144 3931 4989 4749 5850

54120 3927 4931 4696 5737

54144 4018 5187 4940 6154

54168 4108 5443 5183 6572

60168 4123 5584 5319 6838

(CHR) Chrome base

4884 3725 4368 4204 4869

4896 3766 4481 4311 5056

48120 5221 6130 5904 6848

48144 5300 6357 6122 7219

54120 5297 6300 6065 7105

54144 5388 6556 6309 7524

54168 5480 6813 6552 7943

60168 5494 6954 6687 8210

How to Order

CS	CSL	CG	CGL	AB	RT	HOW	PB CHR SN (std)	AD	L C R LR	EL1, EL2 INT - A/B/C OAS - A/B/C MH1SN	H V	L C R LR
series	dimensions	top	bases	metal finish	access door and position		connectivity + orientation + position					

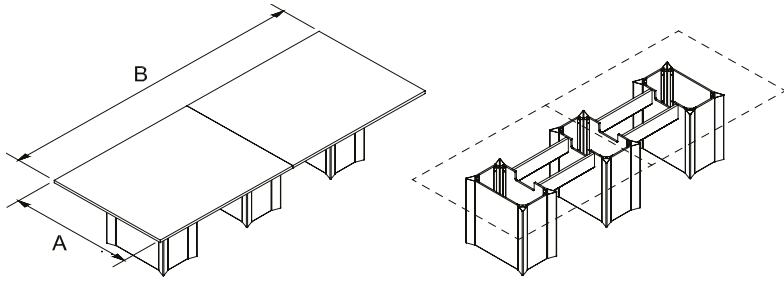
Example

CS	48120	RT	HOW	SN	AD	C	MH1SN	H	C
----	-------	----	-----	----	----	---	-------	---	---

Conference Tables

Rectangular on Howard Bases

THOW



Manufacturing Standards

- Tables delivered disassembled;
- Laminate base with metal corners.

Bases: For the number of bases, see [appendix B](#).

Surfaces: For the number of surfaces and the wood grain direction, see [appendix C](#).

Random wood grain: For tables that have more than one section, it is important to note that the wood grain texture is random and does not match with the adjoining surface.

Access Door: to add one or more access doors to the base(s) add code (AD), \$272 retail per access door.

Options

Connectivity

Specify connectivity on [p. 126](#)



\$684



\$832 \$679



\$721 \$1 137 \$932

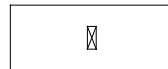


\$2 619 \$3 035 \$2 830

Orientation

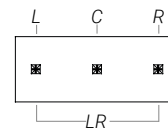


H - Horizontal



V - Vertical

Position



Prices

Dimensions		CS	CSL	CSZ	CSZL	CG	CGL
(SN) Satin nickel or (PB) white base							
4884	2776	3417	3588	4228	3254	3919	
4896	2818	3531	3745	4461	3364	4106	
48120	3751	4658	4911	5818	4435	5373	
48144	3837	4888	5226	6278	4656	5747	
<hr/>							
54120	3784	4780	5088	6084	4551	5585	
54144	3873	5033	5439	6599	4793	6002	
54168	3962	5289	5790	7115	5037	6416	
<hr/>							
60168	4057	5515	6088	7544	5253	6770	
<hr/>							
(CHR) Chrome base							
4884	3688	4329	4500	5140	4167	4830	
4896	3731	4446	4660	5374	4279	5020	
48120	5121	6024	6280	7186	5802	6742	
48144	5204	6257	6597	7650	6023	7116	
<hr/>							
54120	5156	6150	6459	7455	5922	6955	
54144	5243	6404	6810	7970	6161	7370	
54168	5332	6659	7159	8485	6408	7788	
<hr/>							
60168	5427	6886	7457	8913	6622	8141	

How to Order

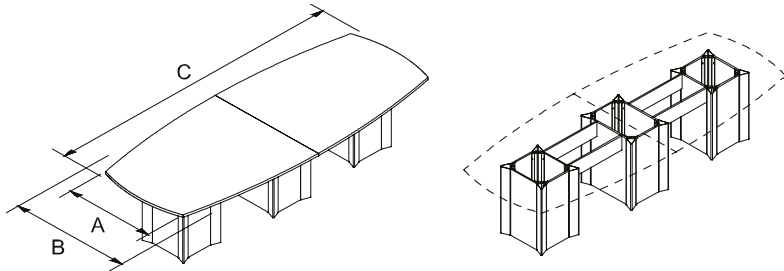
CS	CSL	CSZ	CSZL	CG	CGL	AB	T	HOW	PB CHR SN (std)	AD	L C R LR	EL1, EL2 INT - A/B/C OAS - A/B/C MH1SN	H V	L C R LR
series	dimensions	top	bases	metal finish	access door and position	connectivity + orientation + position								

Example CS 48120 T HOW SN AD C MH1SN H C

Conference Tables

Rounded Boat on Howard Bases

BTRHOW



Manufacturing Standards

- Tables delivered disassembled;
- Laminate base with metal corners.

Bases: For the number of bases, see [appendix B](#).

Surfaces: For the number of surfaces and the wood grain direction, see [appendix C](#).

Random wood grain: For tables that have more than one section, it is important to note that the wood grain texture is random and does not match with the adjoining surface.

Access Door: to add one or more access doors to the base(s) add code (AD), \$272 retail per access door.

Options

Connectivity

Specify connectivity on [p. 126](#)



\$684



\$832

\$679



\$721

\$1 137

\$932

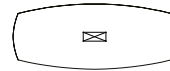


\$2 619

\$3 035

\$2 830

Orientation

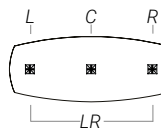


H - Horizontal



V - Vertical

Position



Prices

Dimensions

A B CS CSL CG CGL

(SN) Satin nickel or (PB) white base

364884 2809 3453 3289 3954

364896 2851 3568 3398 4142

3648120 3856 4766 4539 5485

3648144 3884 4886 4653 5691

4254120 3884 4886 4653 5691

4254144 3972 5137 4892 6108

4254168 4057 5389 5133 6519

4860168 4160 5622 5354 6874

(CHR) Chrome base

364884 3724 4367 4203 4868

364896 3764 4480 4309 5055

3648120 5225 6135 5908 6852

3648144 5307 6358 6128 7219

4254120 5254 6254 6022 7062

4254144 5339 6507 6263 7476

4254168 5427 6762 6503 7891

4860168 5528 6991 6722 8246

How to Order

CS CSL CG CGL	ABC	BTR	HOW	PB CHR SN (std)	AD	L C R LR	EL1, EL2 INT - A/B/C OAS - A/B/C MH1SN	H V	L C R LR
series	dimensions	top	bases	metal finish	access door and position	connectivity + orientation + position			

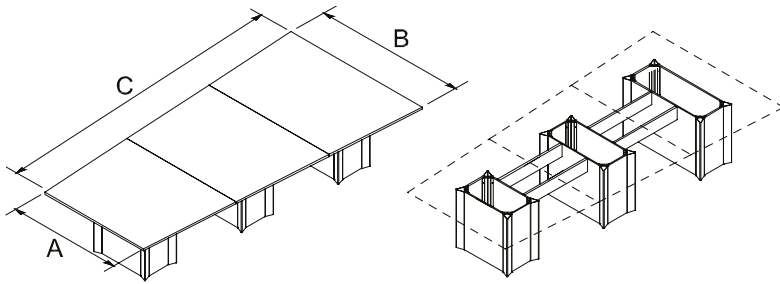
Example

CS	3648120	BTR	HOW	SN	AD	C	MH1SN	H	C
----	---------	-----	-----	----	----	---	-------	---	---

Conference Tables

Teleconference on Howard Bases

TFHOW



Manufacturing Standards

- Tables delivered disassembled;
- Laminate base with metal corners,
- Reverse wood grain on surfaces.

Bases: For the number of bases, see [appendix B](#).

Surfaces: For the number of surfaces and the wood grain direction, see [appendix C](#).

Random wood grain: For tables that have more than one section, it is important to note that the wood grain texture is random and does not match with the adjoining surface.

Access Door: to add one or more access doors to the base(s) add code (AD), \$272 retail per access door.

Options

Connectivity

Specify connectivity on [p. 126](#)



\$684



\$832 \$679

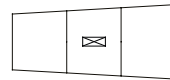


\$721 \$1 137 \$932

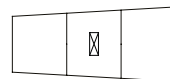


\$2 619 \$3 035 \$2 830

Orientation

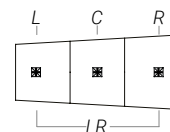


H - Horizontal



V - Vertical

Position



Prices

Dimensions

A B CS CSL CG CGL

(SN) Satin nickel or (PB) white base

5472144 3932 5420

5472168 4037 5745

6078192 4262 6341

6078216 4806 7143

(CHR) Chrome base

5472144 5301 6790

5472168 5408 7114

6078192 5631 7710

6078216 6634 8971

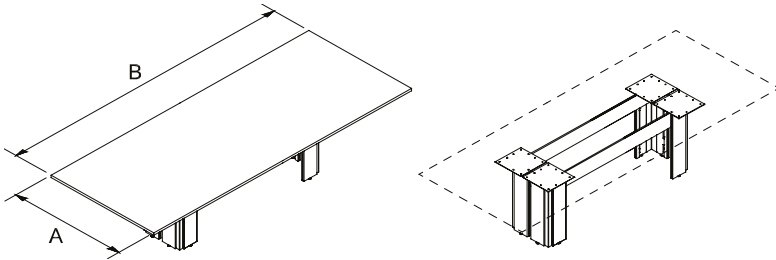
How to Order

CS CSL	ABC	TF	HOW	PB CHR SN (std)	AD	L C R LR	EL1, EL2 INT - A/B/C OAS - A/B/C MH1SN	H V	L C R LR
series	dimensions	top	bases	metal finish	access door and position	connectivity + orientation + position			
Example CS	5472144	TF	HOW	SN	AD	C	MH1SN	H	C

Conference Tables

Rectangular on Wellington Bases

TWEL - 48"



Manufacturing Standards

- Tables delivered disassembled;
- Laminate base with decorative chrome (CHR) inserts;
- Tables longer than 120" have a middle base with a removable panel to provide access to electrical wiring.

Bases: For the number of bases, see [appendix B](#).

Surfaces: For the number of surfaces and the wood grain direction, see [appendix C](#).

Random wood grain: For tables that have more than one section, it is important to note that the wood grain texture is random and does not match with the adjoining surface.

Options

Connectivity

Specify connectivity on [p. 126](#)

\$684 \$832 \$679 \$721

\$1 137 \$932 \$2 619 \$3 035 \$2 830

Orientation

H - Horizontal

V - Vertical

Position

Prices

Dimensions							
A	B	CS	CSL	CSZ	CSZL	CG	CGL
(SN) Satin nickel or (PB) white base							
4884		4175	4888	4989	5698	4656	5388
4896		4219	5004	5146	5934	4766	5577
48120		4408	5340	5568	6503	5088	6061
48144		4492	5574	5882	6967	5307	6434
48168		4638	5875	6263	7499	5593	6876
(CHR) Chrome base							
4884		5726	6435	6536	7247	6202	6937
4896		5768	6551	6696	7478	6313	7125
48120		5955	6893	7115	8051	6637	7607
48144		6036	7123	7428	8513	6857	7982
48168		6187	7424	7811	9046	7143	8425

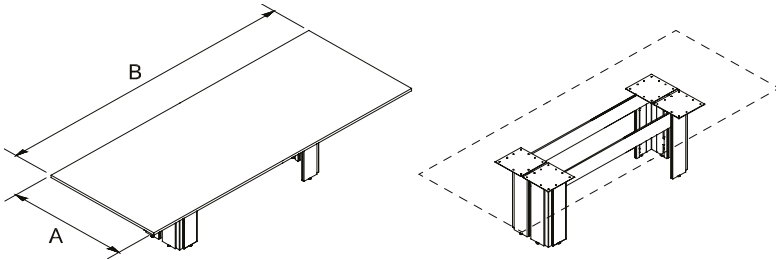
How to Order

CS	CSL	CSZ	CSZL	CG	CGL	AB	SN	PB	CHR	EL1, EL2	INT - A/B/C	OAS - A/B/C	MH1SN	H	V	L	C	R	LR	
series	dimensions	top	bases	metal finish	connectivity + orientation + position															
Example	CS	4884	T	WEL	CHR	MH1SN	H	C												

Conference Tables

Rectangular on Wellington Bases

TWEL - 54"



Manufacturing Standards

- Tables delivered disassembled;
- Laminate base with decorative chrome (CHR) inserts;
- Tables longer than 120" have a middle base with a removable panel to provide access to electrical wiring.

Bases: For the number of bases, see [appendix B](#).

Surfaces: For the number of surfaces and the wood grain direction, see [appendix C](#).

Random wood grain: For tables that have more than one section, it is important to note that the wood grain texture is random and does not match with the adjoining surface.

Options

Connectivity
Specify connectivity on [p. 126](#)

\$684 \$832 \$679 \$721

\$1 137 \$932 \$2 619 \$3 035 \$2 830

Orientation

H - Horizontal
V - Vertical

Position

Prices

Dimensions							
A	B	CS	CSL	CSZ	CSZL	CG	CGL
(SN) Satin nickel or (PB) white base							
5484	4208	4983	5122	5896	4745	5547	
5496	4253	5110	5297	6154	4868	5756	
54120	4448	5478	5752	6782	5217	6284	
54144	4538	5733	6105	7299	5459	6701	
54168	4695	6059	6522	7888	5770	7187	
(CHR) Chrome base							
5484	5750	6526	6663	7439	6288	7092	
5496	5800	6657	6844	7701	6413	7304	
54120	5994	7026	7300	8332	6765	7832	
54144	6084	7280	7651	8845	7009	8248	
54168	6243	7604	8068	9432	7317	8734	

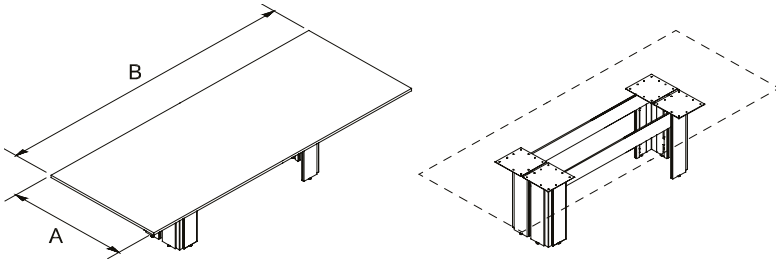
How to Order

CS	CSL	CSZ	CSZL	CG	CGL	AB	SN	PB	CHR	EL1, EL2	INT - A/B/C	OAS - A/B/C	MH1SN	H	V	L	C	R	LR
series	dimensions	top	bases	metal finish	connectivity + orientation + position														
Example	CS	5484	T	WEL	CHR		MH1SN	H	C										

Conference Tables

Rectangular on Wellington Bases

TWEL - 60"



Manufacturing Standards

- Tables delivered disassembled;
- Laminate base with decorative chrome (CHR) inserts;
- Tables longer than 120" have a middle base with a removable panel to provide access to electrical wiring.

Bases: For the number of bases, see [appendix B](#).

Surfaces: For the number of surfaces and the wood grain direction, see [appendix C](#).

Random wood grain: For tables that have more than one section, it is important to note that the wood grain texture is random and does not match with the adjoining surface.

Options

Connectivity

Specify connectivity on [p. 126](#)



\$684



\$832 \$679

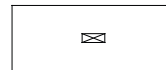


\$721 \$1 137 \$932

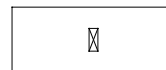


\$2 619 \$3 035 \$2 830

Orientation

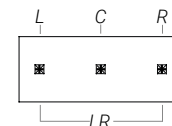


H - Horizontal



V - Vertical

Position



How to Order

CS	CSL	CSZ	CSZL	CG	CGL	AB	T	WEL	SN PB CHR	EL1, EL2 INT - A/B/C OAS - A/B/C MH1SN	H V	L C R LR
series	dimensions	top	bases	metal finish	connectivity + orientation + position							

Example CS 6084 T WEL CHR MH1SN H C

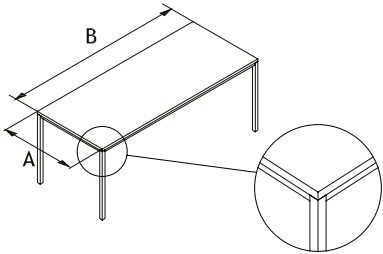
Prices

Dimensions							
A	B	CS	CSL	CSZ	CSZL	CG	CGL
(SN) Satin nickel or (PB) white base							
6084		4239	5078	5253	6092	4835	5707
6096		4286	5220	5447	6378	4970	5937
60120		4492	5610	5940	7061	5340	6506
60144		4584	5887	6325	7629	5609	6966
60168		4787	6280	6817	8311	5982	7535
60192		4989	6673	7308	8992	6353	8107
60228		5131	7093	7889	9847	6753	8793
(CHR) Chrome base							
6084		5787	6627	6803	7641	6384	7254
6096		5833	6766	6994	7925	6517	7483
60120		6035	7154	7484	8605	6888	8051
60144		6131	7436	7870	9176	7156	8512
60168		6334	7828	8362	9860	7531	9083
60192		6535	8219	8856	10540	7900	9654
60228		6681	8640	9434	11396	8300	10340

All Purpose and Occasional Tables

All Purpose Tables

TSTR



Manufacturing Standards

- Delivered disassembled;
- On structural base 1-1/4";
- Can be dismantled;
- Metal legs 1-1/4";
- Height: 29".

Leg color: If choice of leg color is not specified, the standard black (BL) will be used, chrome CHR is available at no extra charge.

Prices

Dimensions					
A	B	ML	MLL	MA	MAL
2430		874	1014	950	1096
2448		921	1127	1048	1257
2460		960	1206	1117	1370
3048		941	1187	1096	1349
3060		982	1250	1155	1437
3072		1078	1429	1316	1677
3672		1109	1517	1389	1813

How to Order

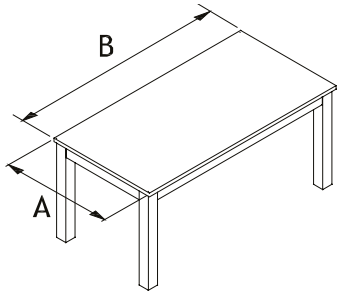
ML MLL MA MAL	A B	TSTR	CHR BL (std)
series	dimensions	product	leg color

Example ML 2430 TSTR BL

All Purpose and Occasional Tables

All Purpose Tables

TWL



Manufacturing Standards

- Delivered disassembled;
- Rectangular table;
- 1" recessed laminate apron;
- On 3" x 3" wooden legs;
- Can be dismantled;
- Height: 29".

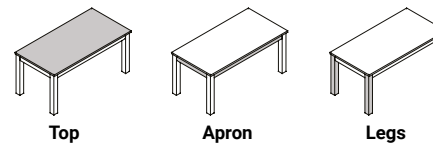
Apron: If not specified, the apron color is the same as the top.

Legs: Available colors: White Wash **WW**, Golden Wheat **GW**, Sand **SD**, Apricot **AT**, Pecan **PN**, Brandy **BR**, Chestnut **CT**, Coffee **CF**, Espresso **ES**, Bordeaux **BO**, Black Wash **BW** and Bark **BK**.

Prices

Dimensions					
A	B	ML	MLL	MA	MAL
3048		772	1009	930	1172
3060		823	1111	1017	1317
3072		910	1251	1146	1498

Combination of Colors



How to Order

Combination of Colors

ML
MLL
MA
MAL

A B

See the Logiflex Color Guide

		TWL			
--	--	------------	--	--	--

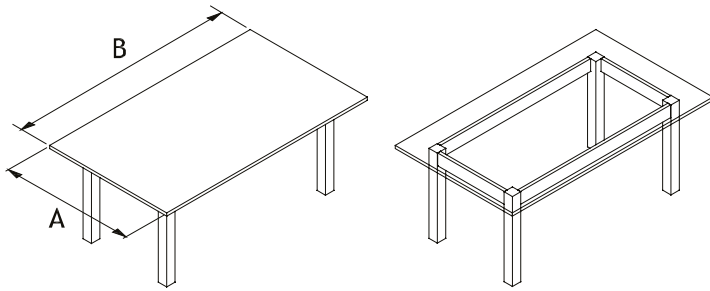
series dimensions product top apron legs

Example	ML	3048	TWL	W	W	WW
----------------	----	------	------------	---	---	----

All Purpose and Occasional Tables

All Purpose Tables

TWLL



Manufacturing Standards

- Delivered disassembled;
- Rectangular table;
- 6" recessed laminate apron;
- On 3" x 3" wooden legs;
- Can be dismantled;
- Height: 29".

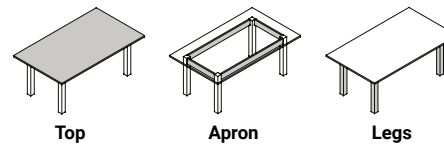
Apron: If not specified, the apron color is the same as the top.

Legs: Available colors: White Wash **WW**, Golden Wheat **GW**, Sand **SD**, Apricot **AT**, Pecan **PN**, Brandy **BR**, Chestnut **CT**, Coffee **CF**, Espresso **ES**, Bordeaux **BO**, Black Wash **BW** and Bark **BK**.

Prices

Dimensions		OS	OSL	OSZ	OSZL	OG	OGL
A	B						
4260		894	1383	1559	2049	1129	1804
4272		1007	1586	1806	2387	-	-
4284		1181	1854	2111	2786	-	-

Combination of Colors



How to Order

OS
OSL
OG
OGL
OSZ
OSZL

Combination of Colors

See the Logiflex Color Guide

	A B	TWLL			
--	-----	------	--	--	--

series dimensions product top apron legs

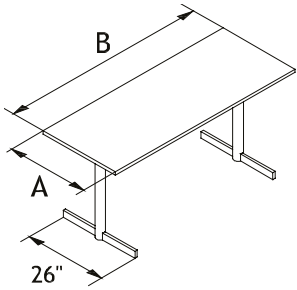
Example OS 4260 TWLL W W WW

All Purpose and Occasional Tables



All Purpose Tables

TMT



Manufacturing Standards

- Delivered disassembled;
- On metal T legs;
- Stiffener (RSTF) included for 72" tables;
- Height: 29".

Leg color: If choice of leg color is not specified, the standard black (BL) will be used, chrome CHR is available at no extra charge.

Prices

Dimensions					
A	B	ML	MLL	MA	MAL
3048		821	1058	980	1221
3060		874	1161	1067	1366
3072		910	1251	1146	1498

How to Order

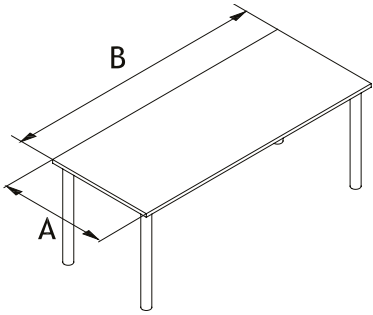
ML MLL MA MAL	A B	TMT	CHR BL (std)
series	dimensions	product	leg color

Example ML 3048 TMT BL

All Purpose and Occasional Tables

All Purpose Tables

T4



Manufacturing Standards

- Delivered disassembled;
- Rectangular table;
- Four 2-1/2" round metal legs;
- Stiffener (RSTF) included for 60" tables;
- Height: 29".

Leg color: If choice of leg color is not specified, the standard black (BL) will be used, satin nickel (SN) is available at no extra charge.

Prices

Dimensions					
A	B	ML	MLL	MA	MAL
2442		559	722	667	837
2448		579	765	705	898
2460		618	845	775	1011
<hr/>					
3042		611	814	749	957
3048		626	855	783	1017
3060		695	975	890	1183

How to Order

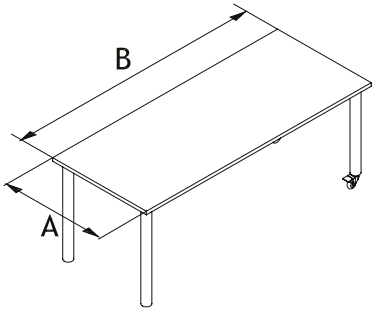
ML MLL MA MAL	A B	T4	SN BL (std)
series	dimensions	product	leg color

Example ML 2442 T4 BL

All Purpose and Occasional Tables

All Purpose Tables

WT



Manufacturing Standards

- Delivered disassembled;
- Rectangular table;
- Four 2-1/2" round black metal legs;
- 2 legs with casters;
- Stiffener (RSTF) included for tables 60" or longer;
- Height: 29".

Leg color: If choice of leg color is not specified, the standard black (BL) will be used, satin nickel (SN) is available at no extra charge.

Prices

Dimensions					
A	B	ML	MLL	MA	MAL
2448		941	1148	1066	1278
2460		982	1226	1137	1390
3042		970	1193	1110	1337
3048		990	1238	1146	1401
3060		1057	1358	1252	1563

How to Order

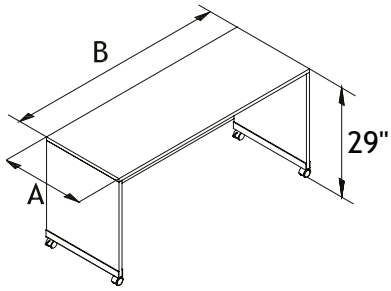
ML MLL MA MAL	A B	WT	SN BL (std)
series	dimensions	product	leg color

Example ML 2448 WT BL

All Purpose and Occasional Tables

All Purpose Tables

TW



Manufacturing Standards

- Delivered disassembled;
- Mobile typing desk;
- Black metal base;
- On wheels (including 2 locking casters);
- Height: 29".

Modesty: If choice of modesty is not specified, the standard (FM) will be used, PM and SM modesties are available at no extra charge.

Options

Modesty

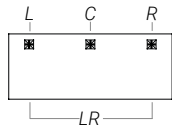


PM
Standard 10" high

SM
18-1/2" high

FM
Full height

Grommet Position



Grommet Style



\$0 \$26 ea.

Prices

Dimensions		ML	MLL	MA	MAL
A	B				
1836		435	546	508	625
1842		454	580	550	680
2436		488	611	590	741
2442		529	673	635	803
2448		572	757	698	890

How to Order

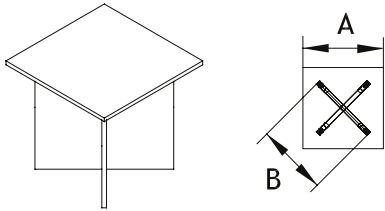
ML MLL MA MAL	A B	H29	TW	PM SM FM (std)	GRC GRL GRR GLR	CAPF CBPF CCPF ELPF (std)
series	dimensions	height	product	modesty	grommet position	grommet style

Example ML 2436 H29 TW FM GRC ELPF

All Purpose and Occasional Tables

All Purpose Tables

TCX



Manufacturing Standards

- Delivered disassembled;
- Square table on laminate cross base;
- Height: 29".

Prices

Dimensions					
A	B	ML	MLL	MA	MAL
3030		568	713	658	798
3636		627	840	772	837
4242		697	972	885	1054
4848		794	1149	1044	1363
5454		991	1442	1309	1742
6060		1083	1631	1474	1960

How to Order

ML MLL MA MAL	A			B
		TC	X	
series	top dimension	product	base	dimension

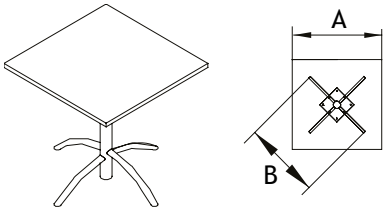
Example

ML	30	TC	X	30
----	----	-----------	----------	----

All Purpose and Occasional Tables

All Purpose Tables

TCMXLX



Manufacturing Standards

- Delivered disassembled;
- Square table on metal Deluxe cross base;
- Height: 29".

Leg color: If choice of leg color is not specified, the standard black (BL) will be used, satin nickel (SN) is available at no extra charge.

Prices

Dimensions		ML	MLL	MA	MAL
A	B				
30	30	911	1093	1020	1172
36	36	920	1158	1076	1214
42	36	927	1227	1129	1401

How to Order

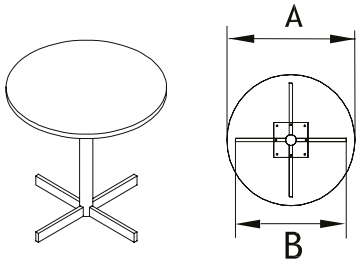
ML MLL MA MAL	A	TC	MXLX	B	SN BL (std)
series	top dimension	product	base	dimension	leg color

Example ML 30 TC MXLX 30 BL

All Purpose and Occasional Tables

All Purpose Tables

TRMX



Manufacturing Standards

- Delivered disassembled;
- Round table on metal cross base;
- Height: 29".

Leg color: If choice of leg color is not specified, the standard black (BL) will be used, Chrome (CHR) is available at no extra charge.

Prices

Dimensions					
A	B	ML	MLL	MA	MAL
3026		708	867	810	950
3630		769	983	908	1106
4236		779	1059	968	1227

How to Order

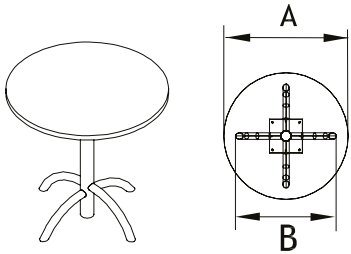
ML MLL MA MAL	A			B	CHR BL (std)
series	top dimension	TR	MX	base dimension	leg color

Example ML 30 TR MX 26 BL

All Purpose and Occasional Tables

All Purpose Tables

TRMXLX



Manufacturing Standards

- Delivered disassembled;
- Round table on metal Deluxe cross base;
- Height: 29".

Leg color: If choice of leg color is not specified, the standard black (BL) will be used, satin nickel (SN) is available at no extra charge.

Prices

Dimensions					
A	B	ML	MLL	MA	MAL
3024		928	1099	1029	1185
3630		989	1161	1078	1226
4236		1045	1277	1175	1442

How to Order

ML MLL MA MAL	A			B	SN BL (std)
series	top dimension	product	base	base dimension	leg color

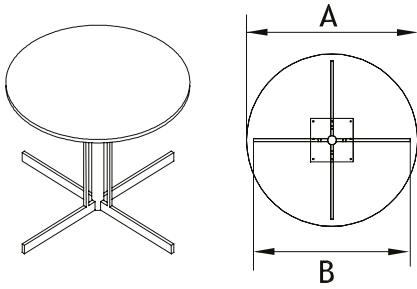
Example ML 30 TR MXLX 24 BL

All Purpose and Occasional Tables



All Purpose Tables

TRMXH



Manufacturing Standards

- Delivered disassembled;
- Round table on Heavy Duty metal Deluxe cross base;
- Height: 29".

Available in black (BL) only.

Prices

Dimensions					
A	B	ML	MLL	MA	MAL
4844		1134	1507	1386	1770
5444		1241	1702	1559	2036
6044		1361	1920	1750	2331

How to Order

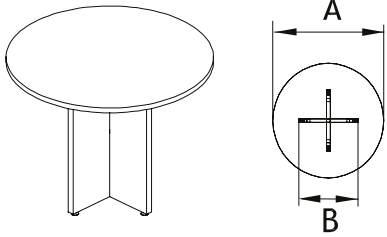
ML MLL MA MAL	A			B	
		TR	MXH	44	BL
series	top dimension	product	base	base dimension	leg color

Example ML 48 TR MXH 44 BL

All Purpose and Occasional Tables

All Purpose Tables

TRX



Manufacturing Standards

- Delivered disassembled;
- Round table on laminate cross base;
- Height: 29".

Prices

Dimensions					
A	B	ML	MLL	MA	MAL
3016		565	778	706	843
3620		625	827	759	947
4224		687	1017	932	1181
4830		861	1194	1087	1409
5433		960	1428	1293	1710
6036		1083	1610	1455	1940

How to Order

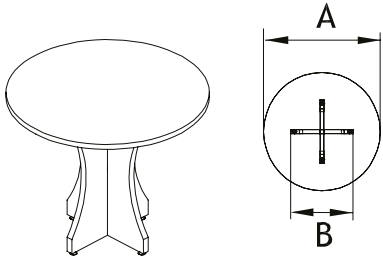
ML MLL MA MAL	A	TR	X	B
series	top dimension	product	base	base dimensions

Example ML 30 TR X 16

All Purpose and Occasional Tables

All Purpose Tables

TRXCV



Manufacturing Standards

- Delivered disassembled;
- Round table on concave laminate cross base;
- Height: 29".

Prices

Dimensions					
A	B	ML	MLL	MA	MAL
3016		559	845	785	927
3620		763	907	835	966
4224		827	1036	948	1195
4830		901	1194	1087	1393
5433		1059	1364	1238	1670
6036		1188	1512	1361	1838

How to Order

	ML MLL MA MAL	A	TR	XCV	B
	series	top dimension	product	base	base dimensions

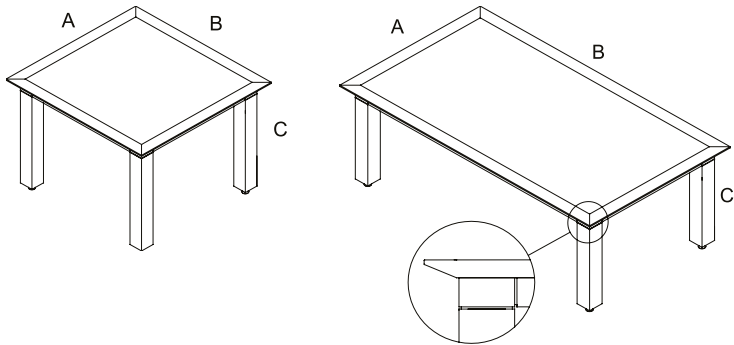
Example

ML	30	TR	XCV	16
----	----	----	-----	----

All Purpose and Occasional Tables

Flint

UTFBW



Manufacturing Standards

- MDF top with wood veneer and knife edge;
- Wood base.

Wood finishes: Available colors: White Wash **WW**, Golden Wheat **GW**, Sand **SD**, Apricot **AT**, Pecan **PN**, Brandy **BR**, Chestnut **CT**, Coffee **CF**, Espresso **ES**, Bordeaux **BO**, Black Wash **BW** and Bark **BK**.

Prices

Dimensions	
A	B C
242418	882
303018	1075
242424	949
303024	1125
306018	1785
307218	1945

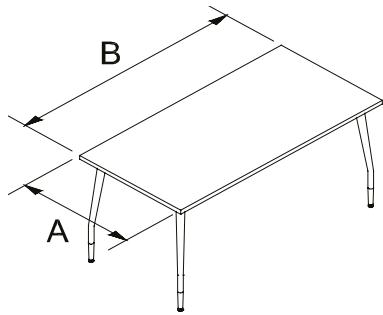
How to Order

A B C		See the Logiflex color chart			
MDFB	UTFBW	top color	base color		
series	dimensions	code			
Example	MDFB	242418	UTFBW	GW	GW

All Purpose and Occasional Tables

Rectangular Hatley Tables

THAT



Manufacturing Standards

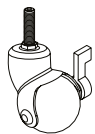
- Delivered disassembled;
- Rectangular table on 4 metal tapered legs with wood insert;
- Stiffener (RSTF) included for 60" tables;
- Height: 29".

Wood finishes: Available colors: White Wash **WW**, Golden Wheat **GW**, Sand **SD**, Apricot **AT**, Pecan **PN**, Brandy **BR**, Chestnut **CT**, Coffee **CF**, Espresso **ES**, Bordeaux **BO**, Black Wash **BW** and Bark **BK**.

Optional locking casters:
 2 locking casters (WF2)
 4 locking casters (WF4)

Options

Casters



WF
 \$36 ea.

How to Order

OS OSL OSZ OSZL	A B	THAT	BL SN CHR (std)	WF2 WF4
series	dimensions	product	metal finish	locking casters

Example OS 2460 THAT CHR

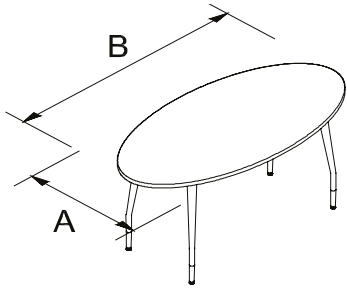
Prices

Dimensions				
A B	OS	OSL	OSZ	OSZL
2430	752	879	896	1024
2436	759	906	933	1078
2442	768	932	970	1134
2448	776	958	1009	1191
2454	785	988	1048	1247
2460	795	1013	1084	1303
3036	771	946	990	1162
3042	779	977	1033	1232
3048	793	1010	1082	1300
3054	801	1045	1128	1370
3060	813	1077	1175	1441

All Purpose and Occasional Tables

Elliptical Hatley Tables

ELHAT



Manufacturing Standards

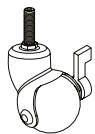
- Delivered disassembled;
- Oval table on 4 metal tapered legs with wood insert;
- Stiffener (RSTF) included for tables 60" or longer;
- Height: 29".

Wood finishes: Available colors: White Wash **WW**, Golden Wheat **GW**, Sand **SD**, Apricot **AT**, Pecan **PN**, Brandy **BR**, Chestnut **CT**, Coffee **CF**, Espresso **ES**, Bordeaux **BO**, Black Wash **BW** and Bark **BK**.

Optional locking casters:
 2 locking casters (WF2)
 4 locking casters (WF4)

Options

Casters



WF
 \$36 ea.

Prices

Dimensions		
A	B	
2460	859	1082
2466	867	1109
2472	877	1134
3054	867	1112
3060	880	1149
3066	889	1182
3072	899	1212

How to Order

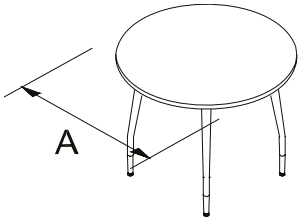
OS OSL	A B	ELHAT	BL SN CHR (std)	WF2 WF4
series	dimensions	product	metal finish	locking casters

Example OS 2460 ELHAT CHR

All Purpose and Occasional Tables

Circular Hatley Tables

TRHAT



Manufacturing Standards

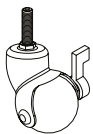
- Delivered disassembled;
- Round table on 4 metal tapered legs with wood insert;
- Height: 29".

Wood finishes: Available colors: White Wash **WW**, Golden Wheat **GW**, Sand **SD**, Apricot **AT**, Pecan **PN**, Brandy **BR**, Chestnut **CT**, Coffee **CF**, Espresso **ES**, Bordeaux **BO**, Black Wash **BW** and Bark **BK**.

Optional locking casters:
 2 locking casters (WF2)
 4 locking casters (WF4)

Options

Casters



WF
 \$36 ea.

Prices

Dimensions				
A	OS	OSL	OSZ	OSZL
30	827	985	1009	1162
36	851	1052	1111	1316
42	876	1138	1230	1493

How to Order

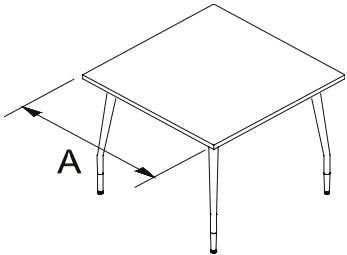
OS OSL OSZ OSZL	A	TRHAT	BL SN CHR (std)	WF2 WF4
series	dimensions	product	metal finish	locking casters

Example OS 30 TRHAT CHR

All Purpose and Occasional Tables

Square Hatley Tables

TCHAT



Manufacturing Standards

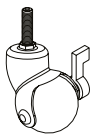
- Delivered disassembled;
- Square table on 4 metal tapered legs with wood insert;
- Height: 29".

Wood finishes: Available colors: White Wash **WW**, Golden Wheat **GW**, Sand **SD**, Apricot **AT**, Pecan **PN**, Brandy **BR**, Chestnut **CT**, Coffee **CF**, Espresso **ES**, Bordeaux **BO**, Black Wash **BW** and Bark **BK**.

Optional locking casters:
 2 locking casters (WF2)
 4 locking casters (WF4)

Options

Casters



WF
\$36 ea.

Prices

Dimensions				
A	OS	OSL	OSZ	OSZL
30	756	907	939	1086
36	778	982	1040	1242
42	803	1066	1160	1418

How to Order

OS OSL OSZ OSZL	A	TCHAT	BL SN CHR (std)	WF2 WF4
series	dimensions	product	metal finish	locking casters

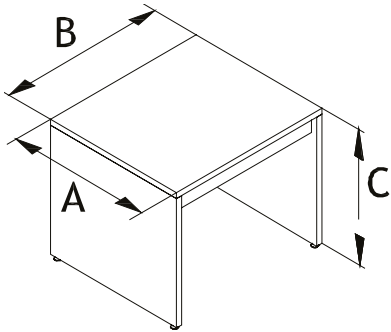
Example OS 30 TCHAT CHR

All Purpose and Occasional Tables



Table 19

T19



Manufacturing Standards

- 3" high laminate skirt;
- Height: 19"

Prices

Dimensions						
A	B	C	ML	MLL	MA	MAL
18	18	19	332	361	335	397
20	20	19	343	401	373	443
24	24	19	355	446	414	494
30	30	19	480	649	597	729

How to Order

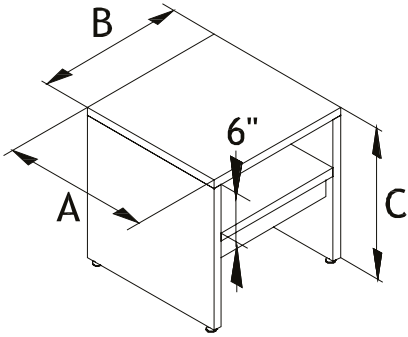
ML MLL MA MAL	AB	T	C
series	dimensions	product	height

Example ML 2020 T 19

All Purpose and Occasional Tables

Table 19

TTS19



Manufacturing Standards

- 3" high laminate skirt;
- 1 fixed shelf;
- Height: 19"

Prices

Dimensions						
A	B	C	ML	MLL	MA	MAL
1818	19		382	453	423	485
2020	19		414	504	469	546
2424	19		424	549	511	597
3030	19		583	752	695	834

How to Order

ML MLL MA MAL	AB	TTS	C
series	dimensions	product	height

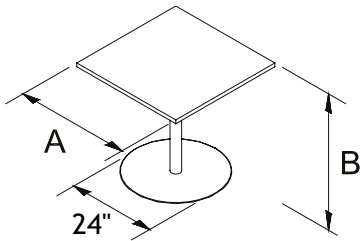
Example ML 2020 TTS 19

All Purpose and Occasional Tables



Square Magog Tables

TCMAG



Manufacturing Standards

- Delivered disassembled;
- Laminate surface;
- 24" circular base with metal glides.

Metal finishes available in satin nickel (SN), white (WH), black (BL) and chrome (CHR).

Prices

Dimensions							
A	B	OS	OSL	OSZ	OSZL	OG	OGL
(SN) Satin nickel, white (WH) or (BL) black base							
2420		845	960	944	1056	914	1032
3020		861	1016	875	1138	967	1129
3220		867	1038	995	1166	990	1163
(WH) White base							
2429		855	966	994	1109	921	1040
3029		867	1024	1044	1198	974	1134
3229		875	1046	1058	1232	995	1172
(BL) Black base							
2436		860	972	1031	1141	927	1050
3036		873	1030	1090	1240	985	1142
3236		881	1052	1111	1285	1001	1182
(CHR) Chrome base							
2442		867	986	1072	1188	936	1054
3042		883	1040	1138	1293	991	1152
(BL) Black base							
2420		1198	1328	1294	1428	1284	1418
3020		1216	1402	1340	1521	1351	1538
3220		1225	1428	1352	1556	1377	1581
(WH) White base							
2429		1208	1338	1348	1479	1292	1429
3029		1227	1408	1404	1582	1361	1547
3229		1232	1436	1416	1621	1386	1591
(BL) Black base							
2436		1216	1347	1402	1533	1300	1437
3036		1236	1415	1467	1645	1367	1558
3236		1240	1445	1482	1689	1393	1600
(CHR) Chrome base							
2442		1225	1358	1579	1713	1310	1445
3042		1244	1429	1498	1682	1379	1569

How to Order

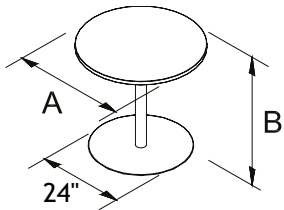
OS	OSL	OSZ	OSZL	OG	OGL	A	TC	MAG	WH	CHR	BL	B
						SN (std)						
series	top dimension		top	product	metal finish	height						
Example	OS	24	TC	MAG	SN	20						

All Purpose and Occasional Tables



Circular Magog Tables

TRMAG



Manufacturing Standards

- Delivered disassembled;
- Laminate surface;
- 24" circular base with metal glides.

Metal finishes available in satin nickel (SN), white (WH), black (BL) and chrome (CHR).

Prices

(SN) Satin nickel, white (WH) or (BL) black base

Dimensions		OS	OSL	OSZ	OSZL	OG	OGL
A	B						
2420		901	1017	998	1115	968	1090
3020		918	1076	1038	1196	1026	1189
3220		922	1096	1051	1225	1045	1222
3620		935	1142	1079	1286	1087	1305
<hr/>							
2429		909	1027	1050	1166	977	1097
3029		922	1082	1097	1257	1030	1193
3229		930	1105	1116	1288	1051	1231
3629		942	1151	1152	1361	1094	1310
<hr/>							
2436		918	1033	1101	1216	988	1105
3036		927	1086	1155	1319	1034	1198
3236		938	1112	1181	1357	1057	1239
3636		950	1160	1225	1433	1103	1318
<hr/>							
2442		922	1041	1126	1244	992	1112
3042		940	1097	1193	1351	1046	1210

(CHR) Chrome base

2420		1269	1403	1364	1498	1352	1491
3020		1286	1473	1408	1594	1419	1611
3220		1293	1497	1423	1625	1445	1656
3620		1309	1556	1454	1700	1500	1756
<hr/>							
2429		1278	1410	1416	1553	1363	1500
3029		1294	1481	1472	1655	1430	1619
3229		1303	1511	1489	1695	1455	1662
3629		1319	1566	1526	1773	1512	1765
<hr/>							
2436		1285	1419	1473	1604	1370	1514
3036		1303	1491	1533	1718	1439	1630
3236		1313	1520	1556	1765	1467	1672
3636		1326	1577	1599	1848	1519	1772
<hr/>							
2442		1293	1430	1497	1632	1380	1518
3042		1317	1500	1570	1756	1448	1638

How to Order

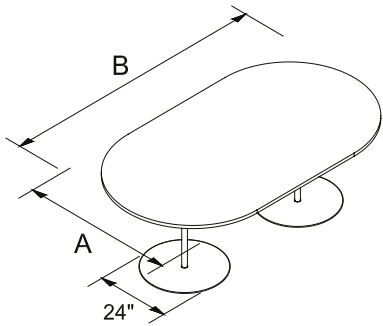
OS	OSL	OSZ	OSZL	OG	OGL	A	TR	MAG	WH	CHR	BL	SN (std)	B
series	top dimensions		top	product	metal finish	height							

Example OS 24 TR MAG SN 20

All Purpose and Occasional Tables

Racetrack Magog Tables

RTMAG



Manufacturing Standards

- Delivered disassembled;
- Laminate surface;
- 24" circular base with metal glides;
- Stiffener (RSTF) for tables 92" or longer;
- Height: 29".

Metal finishes available in satin nickel (SN), white (WH), black (BL) and chrome (CHR).

Prices

Dimensions				
A	B	OS	OSL	OG OGL
(SN) Satin nickel, white (WH) or (BL) black base				
3672		1614	2019	1923 2340
3684		1634	2092	- -
3696		1647	2141	- -
(CHR) Chrome base				
3672		2297	2780	2684 3178
3684		2323	2868	- -
3696		2338	2931	- -
4272		2323	2868	- -
4284		2350	2977	- -
4296		2367	3045	- -

How to Order

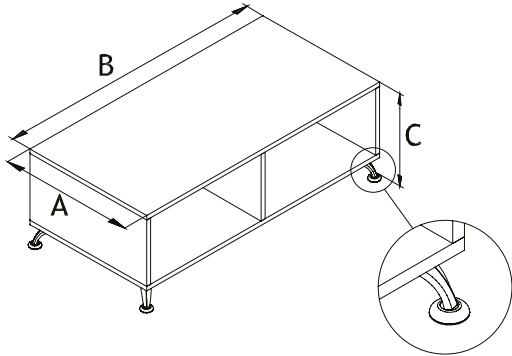
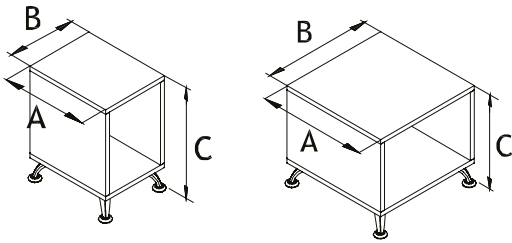
OS OSL OG OGL	AB	RT	MAG	WH CHR BL SN (std)
series	dimensions	code	product	metal finish

Example OS 3672 RT MAG SN

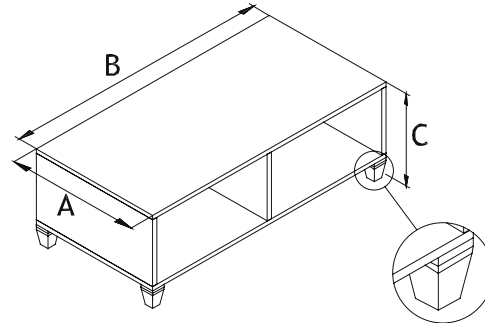
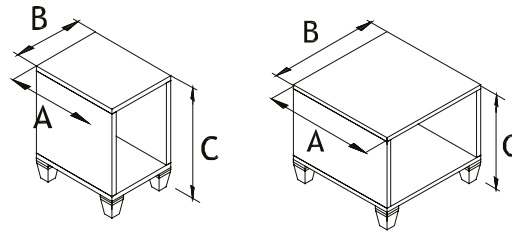
All Purpose and Occasional Tables

Manhattan

UTPM



UTWL



Manufacturing Standards

- Hospitality table on metal legs PM (brushed nickel finish) and WL (3" X 3" wooden legs);
- Without back panel: open on both sides.

Metal Legs: Brushed nickel finish only.

Wood Legs: Available colors: White Wash **WW**, Golden Wheat **GW**, Sand **SD**, Apricot **AT**, Pecan **PN**, Brandy **BR**, Chestnut **CT**, Coffee **CF**, Espresso **ES**, Bordeaux **BO**, Black Wash **BW** and Bark **BK**.

Prices

Dimensions		
A	B	C
181421	MA	MAL
	1151	1239
242418	1065	1185
303018	1156	1317
306018	1320	1589
307218	1492	1808

How to Order

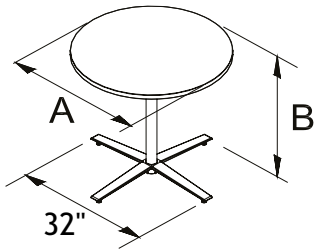
MA MAL	A B C	UT	WL PM
series	dimensions	product	legs

Example MA 242418 UT PM

All Purpose and Occasional Tables

Circular Orford Tables

TRORF4



Manufacturing Standards

- Delivered disassembled;
- Circular surface;
- 4-point aluminum base.

Metal finishes available in satin nickel (SN), black (BL) and chrome (CHR).

Prices

Dimensions				
A	B	OS	OSL	OSZ OSZL
(SN) Satin nickel or Black (BL) base				
3020		1103	1272	1222 1391
3220		1109	1290	1238 1418
<hr/>				
3029		1103	1272	1278 1446
(CHR) Chrome base				
3020		2184	2353	2306 2474
3220		2191	2374	2319 2504
<hr/>				
3029		2184	2353	2359 2528

How to Order

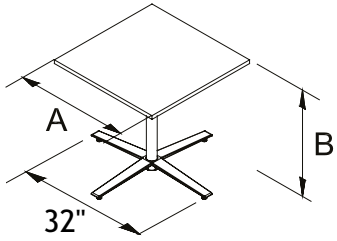
OS OSL OSZ OSZL	A	TRORF4	CHR BL SN (std)	B
series	top dimension	product	metal finish	height

Example OS 30 TRORF4 SN 20

All Purpose and Occasional Tables

Square Orford Tables

TCORF4



Manufacturing Standards

- Delivered disassembled;
- Square surface;
- 4-point aluminum base.

Metal finishes available in satin nickel (SN), black (BL) and chrome (CHR).

Prices

Dimensions					
A	B	OS	OSL	OSZ	OSZL
(SN) Satin nickel or Black (BL) base					
3020		970	1145	1092	1265
3220		1048	1211	1175	1340
<hr/>					
3029		1001	1180	1180	1352
(CHR) Chrome base					
3020		1992	2162	2113	2284
3220		2130	2294	2259	2009
<hr/>					
3029		2023	2199	2200	2373

How to Order

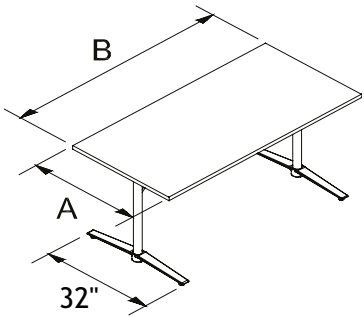
OS OSL OSZ OSZL	A	TCORF4	CHR BL SN (std)	B
series	top dimension	product	metal finish	height

Example OS 30 TCORF4 SN 20

All Purpose and Occasional Tables

Rectangular Orford Tables

TORF2



Manufacturing Standards

- Delivered disassembled;
 - Rectangular surface;
 - 2-point aluminum base;
 - Height: 29".
- Metal finishes available in satin nickel (SN), black (BL) and chrome (CHR).*

Prices

Dimensions				
A	B	OS	OSL	OSZ OSZL
(SN) Satin nickel, Black or (BL) base				
3242		1467	1697	1720 1952
3248		1475	1729	1766 2019
3254		1483	1761	1810 2085
3260		1565	1867	1927 2228
3266		1574	1901	1972 2298
(CHR) Chrome base				
3242		2991	3221	3247 3478
3248		3000	3254	3290 3544
3254		3007	3287	3334 3611
3260		3089	3392	3452 3754
3266		3099	3424	3499 3821

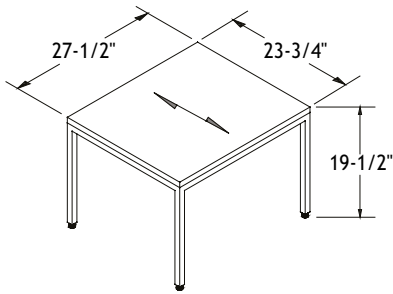
How to Order

	OS OSL OSZ OSZL	A B	T	ORF2	CHR BL SN (std)
	series	dimensions	top	product	metal finish
Example	OS	3266	T	ORF2	SN

All Purpose and Occasional Tables

Slim Small Coffee Table

SL1T



Manufacturing Standards

- 1" rectangular laminate top;
- Table frame base with four 18" high legs in 1" square welded steel profile.
- On white nylon levelers;
- Height: 19.5".

Metal finishes available in satin nickel (SN) and black (BL).

Prices

Code	Price
SL1T	569

How to Order

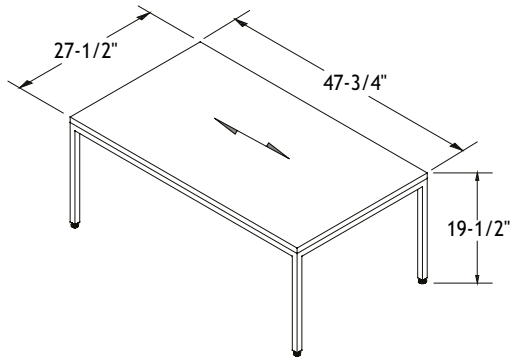
		BL
OS	SL1T	SN (std)
series	code	metal finish (Appx. A)

Example OS SL1T SN

All Purpose and Occasional Tables

Slim Large Coffee Table

SL2T



Manufacturing Standards

- 1" rectangular laminate top;
- Table frame base with four 18" high legs in 1" square welded steel profile.
- On white nylon levelers;
- Height: 19.5".

Metal finishes available in satin nickel (SN) and black (BL).

Prices

Code	
SL2T	713

How to Order

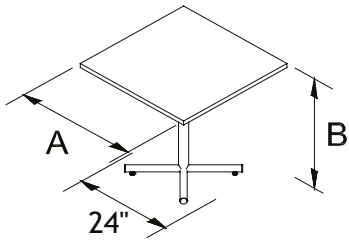
OS	SL2T	BL SN (std)
series	code	metal finish (Appx. A)

Example OS SL2T SN

All Purpose and Occasional Tables

Square Stanstead Tables

TCSTA424



Manufacturing Standards

- Delivered disassembled;
- Square laminate surface;
- 1-1/2" tubular metal leg with 4-point base.

Metal finishes available in satin nickel (SN), white (PB) and chrome (CHR).

Prices

Dimensions				
A	B	OS	OSL	OSZ OSZL
(SN) Satin nickel or (PB) white base				
2420		620	722	717 820
2429		629	733	769 875
(CHR) Chrome base				
2420		918	1037	1014 1132
2429		931	1050	1073 1191

How to Order

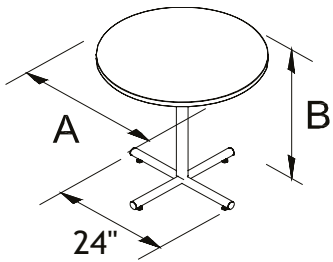
OS OSL OSZ OSZL	A	TC	STA424	CHR PB SN (std)	B
series	dimensions	top	product	metal finish	height

Example OS 24 TC STA424 SN 20

All Purpose and Occasional Tables

Circular Stanstead Tables

TRSTA424



Manufacturing Standards

- Delivered disassembled;
- Circular laminate surface;
- 1-1/2" tubular metal leg with 4-point base.

Metal finishes available in satin nickel (SN), white (PB) and chrome (CHR).

Prices

Dimensions					
A	B	OS	OSL	OSZ	OSZL
(SN) Satin nickel or (PB) white base					
2420		676	780	772	879
2429		685	792	824	885
(CHR) Chrome base					
2420		989	1111	1084	1208
2429		1000	1125	1142	1265

How to Order

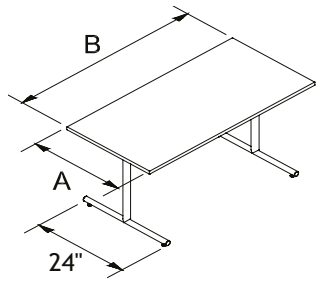
OS OSL OSZ OSZL	A	TR	STA424	CHR PB SN (std)	B
series	dimensions	top	product	metal finish	height

Example OS 24 TR STA424 SN 20

All Purpose and Occasional Tables

Rectangular Stanstead Tables

TSTA224



Manufacturing Standards

- Delivered disassembled;
- Rectangular laminate surface;
- 1-1/2" tubular metal leg;
- Height: 29".

Metal finishes available in satin nickel (SN), white (PB) and chrome (CHR).

Prices

Dimensions				
A	B	OS	OSL	OSZ OSZL
(SN) Satin nickel or (PB) white base				
2436		853	1001	1027 1177
2442		859	1028	1061 1231
2448		865	1052	1097 1284
2454		875	1078	1132 1340
2460		951	1181	1242 1470
(CHR) Chrome base				
2436		1341	1518	1516 1692
2442		1349	1547	1553 1750
2448		1359	1578	1591 1811
2454		1368	1610	1630 1872
2460		1465	1735	1756 2029

How to Order

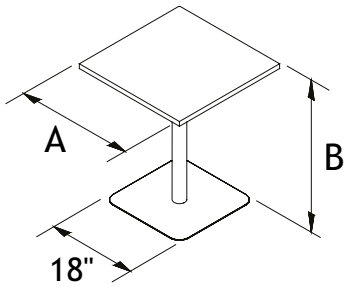
OS OSL OSZ OSZL	AB	T	STA224	CHR PB SN (std)
series	dimensions	top	product	metal finish

Example OS 2436 T STA224 SN

All Purpose and Occasional Tables

Square Lennox Tables

TCLEN



Manufacturing Standards

- Delivered disassembled;
- Laminate surface;
- 18" square base with metal glides.

Metal finishes available in satin nickel (SN), white (WH), black (BL) and chrome (CHR).

Prices

Dimensions		OS	OSL	OSZ	OSZL	OG	OGL
A	B						
(SN) Satin nickel, white (WH) or (BL) black base							
1820		834	903	901	973	861	935
2420		845	960	944	1056	914	1032
3020		861	1016	987	1138	967	1129
1829		840	909	946	1017	867	947
2429		855	966	994	1109	921	1040
3029		867	1024	1044	1198	974	1134
1836		849	916	978	1054	873	948
2436		860	972	1036	1150	927	1050
3036		873	1030	1092	1252	985	1142
1842		849	927	1005	1078	881	954
2442		867	986	1072	1188	936	1054
3042		883	1040	1138	1293	991	1152
(CHR) Chrome base							
1820		1190	1268	1386	1413	1231	1308
2420		1208	1287	1406	1479	1292	1369
3020		1227	1327	1436	1507	1361	1437
1829		1199	1285	1423	1455	1248	1325
2429		1216	1308	1449	1524	1309	1387
3029		1239	1352	1491	1563	1377	1455
1836		1209	1306	1460	1497	1266	1342
2436		1229	1326	1493	1569	1325	1403
3036		1250	1379	1542	1618	1395	1475
1842		1214	1324	1499	1540	1284	1362
2442		1235	1346	1555	1629	1341	1418
3042		1257	1404	1619	1698	1410	1496

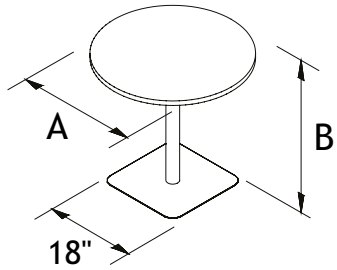
How to Order

OS	OSL	OSZ	OSZL	OG	OGL	A	TC	LEN	WH	CHR	BL	SN (std)	B
series	top dimension	top	product	metal finish	height								
Example OS	24	TC	LEN	SN	20								

All Purpose and Occasional Tables

Circular Lennox Tables

TRLEN



Manufacturing Standards

- Delivered disassembled;
- Laminate surface;
- 18" square base with metal glides.

Metal finishes available in satin nickel (SN), white (WH), black (BL) and chrome (CHR).

Prices

Dimensions		OS	OSL	OSZ	OSZL	OG	OGL
A	B						
(SN) Satin nickel, white (WH) or (BL) black base							
1820	885	960	956	1032	912	995	
2420	901	1017	998	1115	968	1090	
3020	918	1076	1038	1196	1026	1189	
1829	897	969	1001	1075	926	1002	
2429	909	1027	1050	1166	977	1097	
3029	922	1082	1097	1257	1030	1193	
1836	900	980	1030	1106	933	1010	
2436	918	1033	1085	1205	988	1105	
3036	927	1086	1141	1299	1034	1198	
1842	904	988	1058	1137	938	1013	
2442	922	1041	1126	1244	992	1112	
3042	940	1097	1193	1351	1046	1210	
(CHR) Chrome base							
1820	1250	1331	1319	1404	1285	1368	
2420	1269	1403	1364	1498	1352	1491	
3020	1286	1473	1408	1594	1419	1611	
1829	1259	1341	1365	1448	1294	1382	
2429	1278	1410	1416	1553	1363	1500	
3029	1294	1481	1472	1655	1430	1619	
1836	1271	1350	1393	1478	1305	1397	
2436	1285	1419	1453	1591	1370	1514	
3036	1303	1491	1514	1698	1439	1630	
1842	1273	1358	1427	1507	1313	1398	
2442	1293	1430	1497	1632	1380	1518	
3042	1317	1500	1570	1756	1448	1638	

How to Order

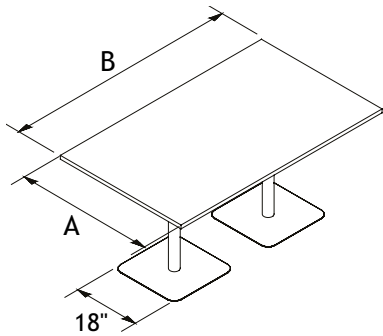
OS	OSL	OSZ	OSZL	OG	OGL	A	TR	LEN	WH	CHR	BL	SN (std)	B
series	top dimensions		top	product	metal finish	height							
Example OS	24	TR	LEN	SN	20								

All Purpose and Occasional Tables



Rectangular Lennox Tables

TLEN



Manufacturing Standards

- Delivered disassembled;
- Laminate surface;
- 18" square bases with metal glides;
- Height: 29".

Metal finishes available in satin nickel (SN), white (WH), black (BL) and chrome (CHR).

Prices

Dimensions					
A	B	OS	OSL	OG	OGL
(SN) Satin nickel, white (WH) or (BL) black base					
3060		1540	1874	1781	2121
3066		1565	1960	1864	2272
3072		1587	2046	1947	2421
3084		1610	2134	2029	2573
(CHR) Chrome base					
3060		2228	2609	2520	2927
3066		2254	2718	2622	3109
3072		2279	2825	2726	3292
3084		2303	2933	2827	3474
3660		2273	2653	2565	2973
3666		2297	2763	2667	3154
3672		2323	2868	2770	3336
3684		2350	2977	-	-

How to Order

OS OSL OG OGL	AB	T	LEN	WH CHR BL SN (std)
series	dimensions	code	product	metal finish

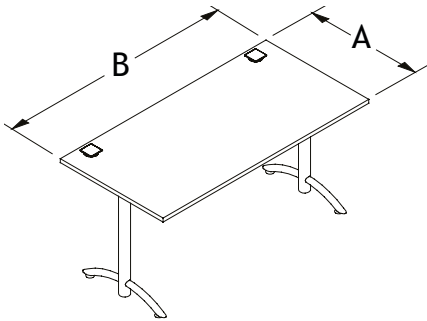
Example OS 3672 T LEN SN

Training Tables

Training Tables

Academic Tables on Levelers

RETF24N



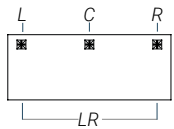
Manufacturing Standards

- Delivered disassembled;
- Rectangular worksurface;
- 2 CAPF grommets;
- Fixed satin nickel "T" legs of 2-1/2" diameter with 24" spread;
- White nylon levelers;
- Stiffener (RSTF) included for tables 60" or longer;
- Height: 29"H

See the [Ganging Clamp](#) to connect two surfaces.

Options

Grommet Position



Grommet Style



\$0 \$0

How to Order

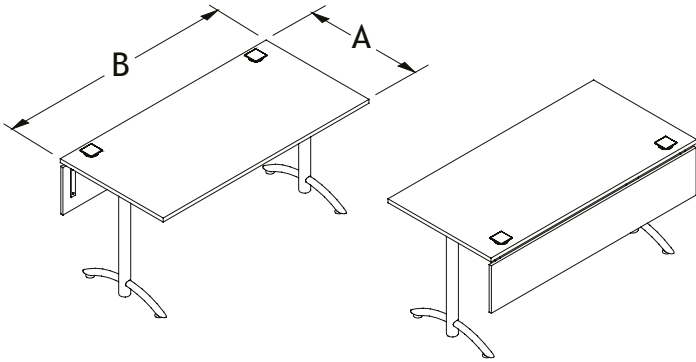
AC ACL	AB	RE	TF24N	BL SN (std)	NGR GRL GRR GRC GLR (std)	CBPF CAPF (std)
series	dimensions	code	legs	metal finish	grommet position	grommet style
AC	2448	RE	TF24N	SN	GLR	CAPF

Training Tables

Training Tables

Academic Tables on Levelers with Modesty

REMFMTF24N



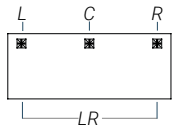
Manufacturing Standards

- Delivered disassembled;
- Rectangular worksurface;
- 2 CAPF grommets;
- Fixed satin nickel "T" legs of 2-1/2" diameter;
- White nylon levelers;
- Fixed 12" laminate modesty panel;
- Stiffener (RSTF) included for tables 60" or longer;
- Height: 29"H

See the [Ganging Clamp](#) to connect two surfaces.

Options

Grommet Position



Grommet Style



\$0 \$0

Prices

Dimensions		
A	B	ACL
2448		968 1149
2454		1005 1206
2460		1040 1251
2466		1076 1318
2472		1111 1363
3048		1015 1226
3054		1057 1300
3060		1092 1357
3066		1140 1419
3072		1174 1486

How to Order

AC ACL	AB	RE	MFM	TF24N	BL SN (std)	NGR GRL GRR GRC GLR (std)	CBPF CAPF (std)
series	dimensions	code	modesty	legs	metal finish	grommet position	grommet style

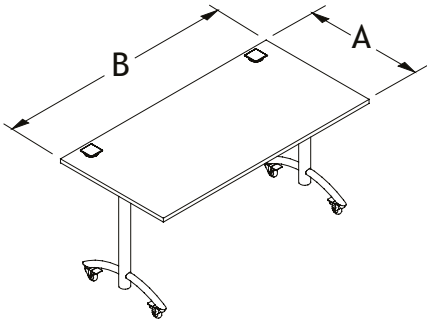
Example AC 2448 RE MFM TF24N SN GLR CAPF

Training Tables

Training Tables

Academic Tables on Casters

RETF24WF



Manufacturing Standards

- Delivered disassembled;
- Rectangular worksurface;
- 2 CAPF grommets;
- Fixed satin nickel "T" legs of 2-1/2" diameter;
- Locking casters;
- Stiffener (RSTF) included for tables 60" or longer;
- Height: 29"H

See the [Ganging Clamp](#) to connect two surfaces.

Options

Grommet Position	Grommet Style	Flip-Top Mechanism
	\$0 \$0	FT \$815

Prices

Dimensions			
A	B	AC	ACL
2448		901	1082
2454		920	1122
2460		1021	1232
2466		1050	1288
2472		1083	1332
3048		949	1158
3054		972	1214
3060		1074	1337
3066		1114	1394
3072		1148	1457

How to Order

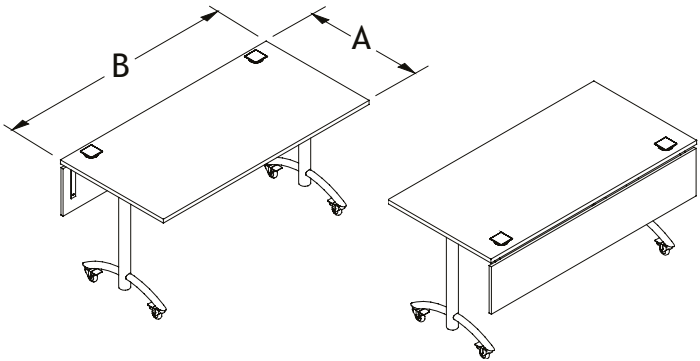
AC ACL	AB	RE	TF24WF	BL SN (std)	FT	NGR GRL GRR GRC GLR (std)	CBPF CAPF (std)
series	dimensions	code	legs	metal finish	flip-top	grommet position	grommet style
Example AC	2448	RE	TF24WF	SN		GLR	CAPF

Training Tables

Training Tables

Academic Tables on Casters with Modesty

REMFMTF24WF



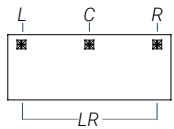
Manufacturing Standards

- Delivered disassembled;
- Rectangular worksurface;
- 2 CAPF grommets;
- Fixed satin nickel "T" legs of 2-1/2" diameter;
- Locking casters;
- Fixed 12" laminate modesty panel;
- Stiffener (RSTF) included for tables 60" or longer;
- Height: 29"H

See the [Ganging Clamp](#) to connect two surfaces.

Options

Grommet Position



Grommet Style



\$0 \$0

Prices

Dimensions			
A	B	AC	ACL
2448		1110	1287
2454		1146	1347
2460		1182	1391
2466		1215	1456
2472		1251	1502
3048		1155	1366
3054		1198	1441
3060		1234	1496
3066		1280	1561
3072		1317	1628

How to Order

AC ACL	AB	RE	MFM	TF24WF	BL SN (std)	NGR GRL GRR GRC GLR (std)	CBPF CAPF (std)
series	dimensions	code	modesty	legs	metal finish	grommet position	grommet style
Example AC	2448	RE		TF24WF	SN	GLR	CAPF

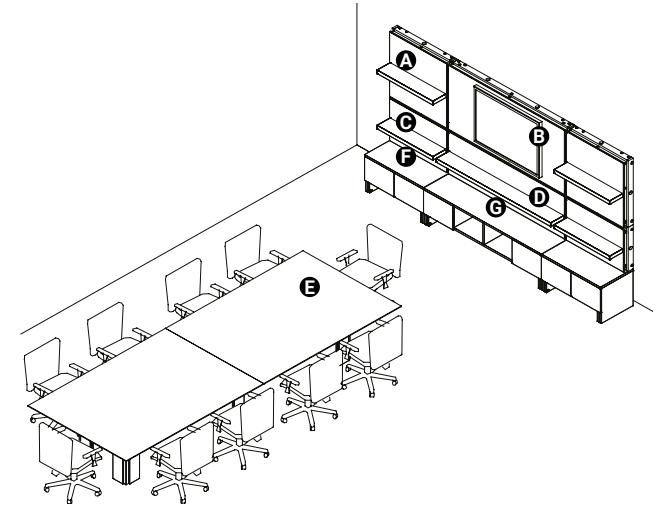
Complimentary Furniture

Wall Units

General Information

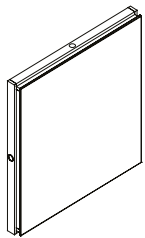
Logiflex wall units are a versatile combination of laminate frames and panels mounted to existing building walls that helps to create clean and harmonious spaces. Offered with or without shelves, the wall units are also available in one of the 10 colors available in 1-5/8", indicated in the Logiflex Color and Finishes Guide. A wide variety of potential configurations are possible: from the single mounted unit to a combination of several units covering an entire wall.

	CODE	DESCRIPTION
A	WU3636F	Wall units (2x)
B	WU3672	Wall unit
C	WU2436F	Wall units (2x)
D	WU2472F	Wall unit
E	CSZ60168TWELCHR	Table
F	2036WELCHRRCRAR20	Credenzas (2x)
G	2072WELCHRARBBAR20	Credenza

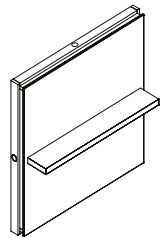


Wall Unit Options

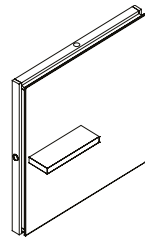
Logiflex's wall units come in five options offering you maximum versatility.



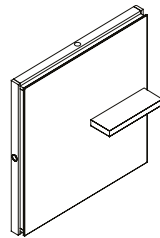
Wall Unit



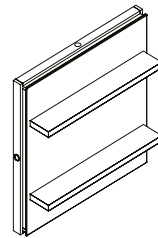
Wall Unit Full Shelf



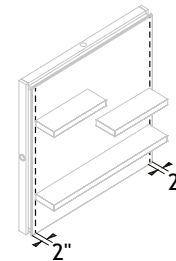
L
Wall Unit Left Shelf



R
Wall Unit Right Shelf



FF
Wall Unit 2 Full Shelves

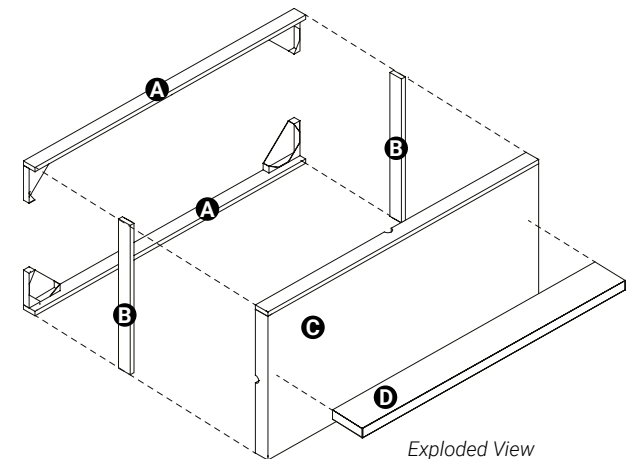


- Shelves are 1-5/8" thick laminate;
- Shelves are 8" deep;
- The width of the full shelf is equivalent to the width of the unit less 4";
- The width of the left or right shelf is equivalent to half the width of the unit less 2".

Installation Recommendations

Only metal anchors must be used for the wall mounting. The purchaser and installer are responsible to ensure application of appropriate attachment methods and hardware for safe installation that meet the applicable local building codes and laws.

	COMPONENTS
A	1" laminate crossbar with universal metal corners
B	1" laminate upright
C	5/8" laminate panel with 1" laminate frame
D	Shelf: 1-5/8" laminate panel

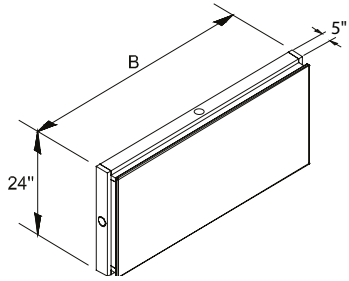


Exploded View

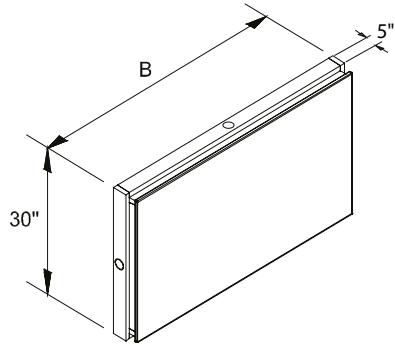
Complimentary Furniture

Wall Units

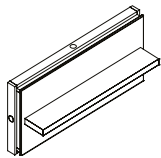
WU 24



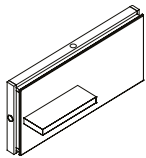
WU 30



Options

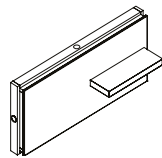


Full Shelf



Left Shelf

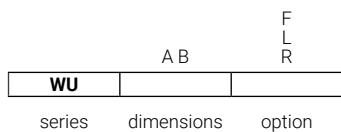
L



Right Shelf

R

How to Order



Example WU 2430 F

Manufacturing Standards

- Horizontal wood grain;
- Grommets on the perimeter of the frame.

Note: Half shelves are not available for 24" wide wall units.

Maximum load capacity of wall units: 100 lbs.

Attention: Logiflex is not responsible for the installation of wall hutches. This responsibility belongs entirely to the distributor or the client.

Prices

WU24

Dimensions					
A	B	WU	WUF	WUL	WUR
2424		696	1045	743	743
2430		706	1068	755	755
2436		717	1130	767	767
2442		728	1154	779	779
2448		741	1181	794	794
2454		751	1241	806	806
2460		761	1265	818	818
2466		772	1327	860	860
2472		784	1352	872	872

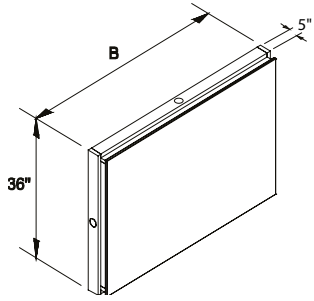
WU30

Dimensions					
A	B	WU	WUF	WUL	WUR
3024		706	1054	1032	1032
3030		718	1079	1051	1051
3036		731	1146	1073	1073
3042		746	1171	1090	1090
3048		756	1195	1110	1110
3054		768	1259	1128	1128
3060		779	1284	1148	1148
3066		795	1349	1205	1205
3072		807	1376	1225	1225

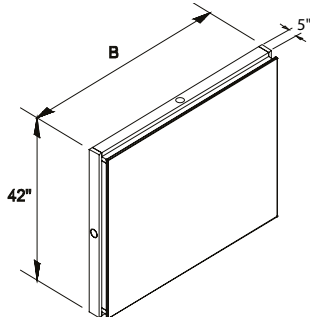
Complimentary Furniture

Wall Units

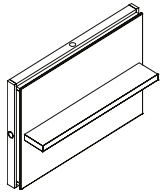
WU 36



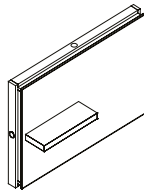
WU 42



Options

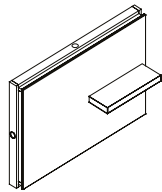


Full Shelf



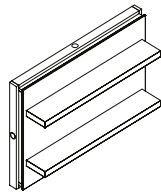
Left Shelf

L



Right Shelf

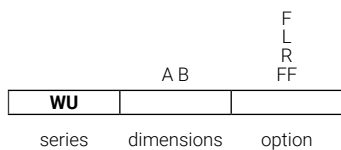
R



2 Full Shelves

FF

How to Order



Example **WU** 3630 F

Manufacturing Standards

- Horizontal wood grain;
- Grommets on the perimeter of the frame.

Note: Half shelves are not available for 24" wide wall units.

Maximum load capacity of wall units: 100 lbs.

Attention: Logiflex is not responsible for the installation of wall hutches. This responsibility belongs entirely to the distributor or the client.

Prices

WU36

Dimensions		WU	WUF	WUL	WUR	WUFF
A	B					
3624		717	1066	1045	1045	1413
3630		731	1092	1065	1065	1454
3636		747	1158	1085	1085	1573
3642		759	1188	1108	1108	1613
3648		772	1212	1126	1126	1652
3654		788	1278	1148	1148	1768
3660		800	1306	1166	1166	1808
3666		816	1371	1226	1226	1930
3672		830	1399	1247	1247	1967

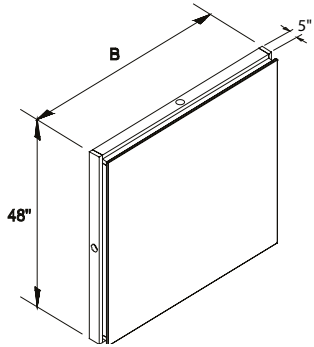
WU42

Dimensions		WU	WUF	WUL	WUR	WUFF
A	B					
4224		728	978	1055	1055	1427
4230		746	1005	1077	1077	1467
4236		759	1066	1098	1098	1586
4242		775	1090	1124	1124	1630
4248		792	1119	1142	1142	1668
4254		803	1181	1164	1164	1787
4260		820	1205	1188	1188	1829
4266		836	1268	1247	1247	1949
4272		853	1292	1272	1272	1990

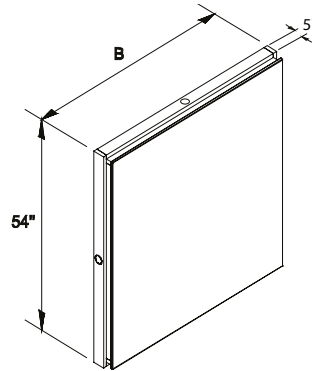
Complimentary Furniture

Wall Units

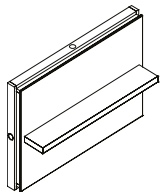
WU 48



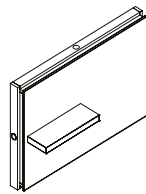
WU 54



Options

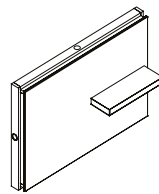


Full Shelf



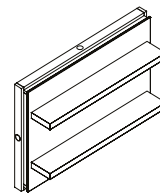
Left Shelf

L



Right Shelf

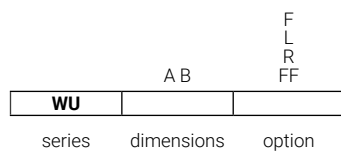
R



2 Full Shelves

FF

How to Order



Example **WU** 4830 **F**

Manufacturing Standards

- Horizontal wood grain;
- Grommets on the perimeter of the frame.

Note: Half shelves are not available for 24" wide wall units.

Maximum load capacity of wall units: 100 lbs.

Attention: Logiflex is not responsible for the installation of wall hutches. This responsibility belongs entirely to the distributor or the client.

Prices

WU48

Dimensions		WU	WUF	WUL	WUR	WUFF
A	B					
4824		741	1087	1068	1068	1437
4830		756	1119	1088	1088	1479
4836		772	1188	1112	1112	1601
4842		792	1215	1137	1137	1644
4848		807	1246	1158	1158	1687
4854		823	1317	1185	1185	1806
4860		840	1345	1206	1206	1848
4866		858	1413	1271	1271	1970
4872		876	1443	1292	1292	2012

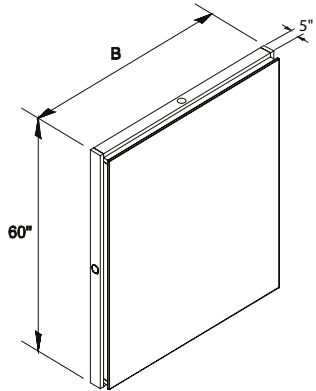
WU54

Dimensions		WU	WUF	WUL	WUR	WUFF
A	B					
5424		751	1097	1077	1077	1447
5430		768	1129	1099	1099	1491
5436		788	1199	1127	1127	1614
5442		803	1232	1152	1152	1657
5448		823	1264	1177	1177	1702
5454		842	1331	1203	1203	1823
5460		861	1366	1227	1227	1870
5466		881	1437	1290	1290	1993
5472		899	1469	1319	1319	2037

Complimentary Furniture

Wall Units

WU 60



Manufacturing Standards

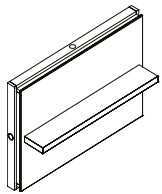
- Horizontal wood grain;
- Grommets on the perimeter of the frame.

Note: Half shelves are not available for 24" wide wall units.

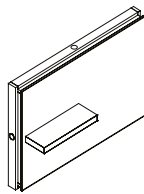
Maximum load capacity of wall units: 100 lbs.

Attention: Logiflex is not responsible for the installation of wall hutches. This responsibility belongs entirely to the distributor or the client.

Options

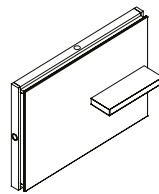


Full Shelf



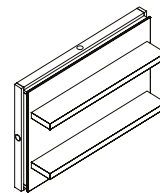
Left Shelf

L



Right Shelf

R



2 Full Shelves

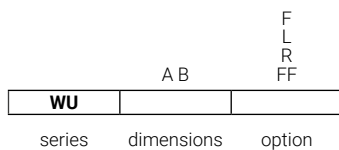
FF

Prices

WU60

Dimensions		WU	WUF	WUL	WUR	WUFF
A	B					
6024		761	1110	1087	1087	1457
6030		779	1142	1114	1114	1503
6036		800	1214	1141	1141	1630
6042		820	1247	1168	1168	1675
6048		840	1280	1193	1193	1719
6054		861	1352	1221	1221	1806
6060		882	1386	1247	1247	1889
6066		901	1457	1316	1316	2013
6072		921	1491	1340	1340	2060

How to Order

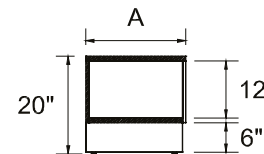
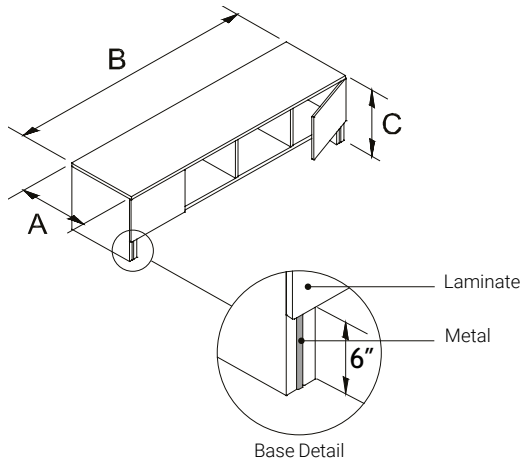


Example WU 6030 F

Complimentary Furniture

Credenzas

WELARBBAR20



Manufacturing Standards

- Horizontal wood grain on sides and legs;
- Door with pressure latch;
- Base with metal inserts;
- 2 door credenza with open shelving middle;
- No shelves.

Inserts: Available in satin nickel (SN), white (PB) and chrome (CHR) metal finishes.

Specify if handle desired (\$14 each, see p. 120).

Options

Lock



\$44 ea.

Prices

Dimensions

A	B	C	CS	CSL	CG	CGL
---	---	---	----	-----	----	-----

Decorative base with **(SN)** satin nickel or **(PB)** white inserts

207220	1423	1675	1594	1851		
--------	------	------	------	------	--	--

Decorative base with **(CHR)** chrome inserts

207220	1457	1710	1630	1889		
--------	------	------	------	------	--	--

How to Order

CS CSL CG CGL	A B	WEL	SN PB CHR	ARBBAR	C	LKBL LKSN	
series	dimensions	base	metal finish	cabinet section	height	lock p. 124	handle p. 120

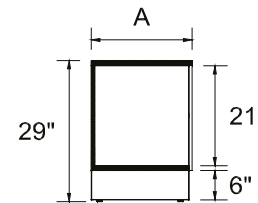
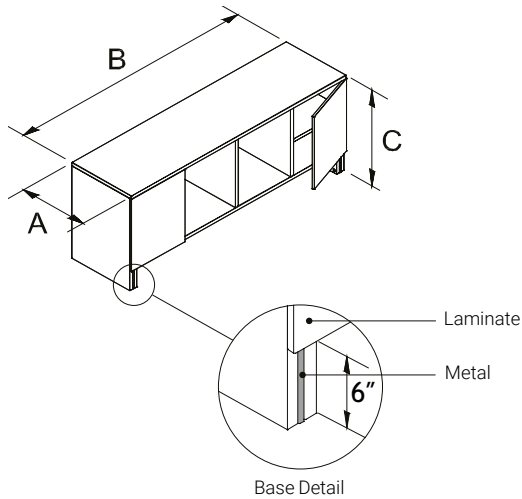
Example

CS	2072	WEL	CHR	ARBBAR	20	LKSN	
----	------	-----	-----	--------	----	------	--

Complimentary Furniture

Credenzas

WELARBBAR29



Manufacturing Standards

- Horizontal wood grain on sides and legs;
- Door with pressure latch;
- Base with metal inserts;
- 2 door credenza with open shelving middle;
- 1 adjustable shelf.

Inserts: Available in satin nickel (SN), white (PB) and chrome (CHR) metal finishes.

Specify if handle desired (\$14 each, see p. 120).

Options

Lock



\$44 ea.

Prices

Dimensions						
A	B	C	CS	CSL	CG	CGL
Decorative base with (SN) satin nickel or (PB) white inserts						
207	229		1494	1747	1662	1927
Decorative base with (CHR) chrome inserts						
207	229		1527	1785	1700	1965

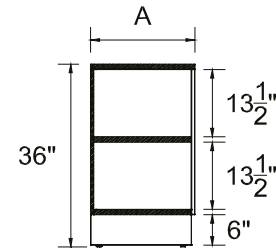
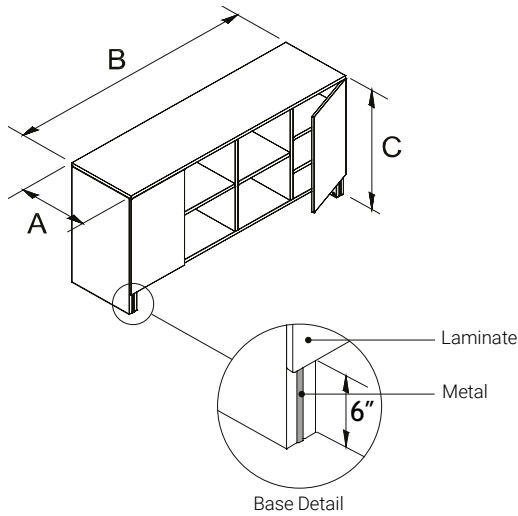
How to Order

	CS CSL CG CGL	A B	WEL	SN PB CHR	ARB BAR	C	LKBL LKSN	
series						29		
dimensions								
base								
metal finish								
cabinet section								
height								
Example	CS	2072	WEL	CHR	ARB BAR	29	LKSN	

Complimentary Furniture

Credenzas

WELARBBAR36



Manufacturing Standards

- Horizontal wood grain on sides and legs;
- Door with pressure latch;
- Base with metal inserts;
- 2 door credenza with open shelving middle;
- 1 fixed shelf;
- 2 adjustable shelves.

Inserts: Available in satin nickel (SN), white (PB) and chrome (CHR) metal finishes.

Specify if handle desired (\$14 each, see p. 120).

Options

Lock



\$44 ea.

Prices

Dimensions

A	B	C	CS	CSL	CG	CGL
---	---	---	----	-----	----	-----

Decorative base with **(SN)** satin nickel or **(PB)** white inserts

207236	1566	1823	1736	2001		
--------	------	------	------	------	--	--

Decorative base with **(CHR)** chrome inserts

207236	1601	1857	1770	2038		
--------	------	------	------	------	--	--

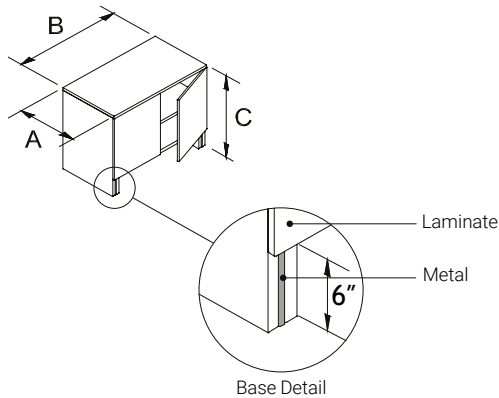
How to Order

CS CSL CG CGL	A B	WEL	SN PB CHR	ARBBAR	C	LKBL LKSN	
series	dimensions	base	metal finish	cabinet section	height	lock p. 124	handle p. 120
Example CS	2072	WEL	CHR	ARBBAR	36	LKSN	

Complimentary Furniture

Credenzas

WELCRAR



Manufacturing Standards

- Horizontal wood grain on sides and legs;
- Door with pressure latch;
- Base with metal inserts;
- 2 door credenza.

20": 0 adjustable shelf
 29": 1 adjustable shelf
 36": 2 adjustable shelves

Inserts: Available in satin nickel (SN), white (PB) and chrome (CHR) metal finishes.

Specify if handle desired (\$14 each, see p. 120).

Options

Lock



\$44 ea.

Prices

Dimensions						
A	B	C	CS	CSL	CG	CGL
Decorative base with (SN) satin nickel or (PB) white inserts						
203620	1079	1222	1164	1314		
203629	1156	1306	1243	1395		
203636	1216	1368	1303	1456		
Decorative base with (CHR) chrome inserts						
203620	1124	1269	1208	1358		
203629	1198	1349	1284	1440		
203636	1261	1411	1346	1502		

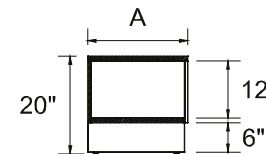
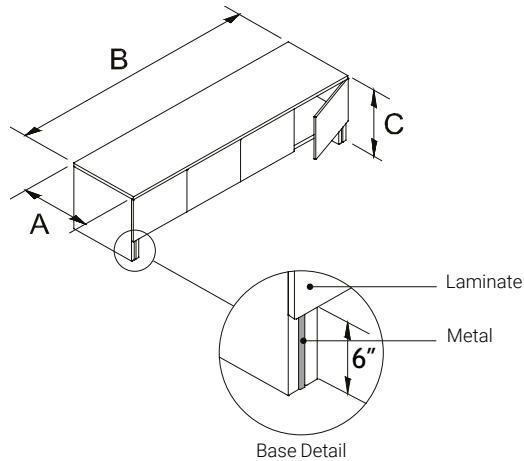
How to Order

CS CSL CG CGL	A B	WEL	SN PB CHR	CRAR	C	LKBL LKSN	
series	dimensions	base	metal finish	cabinet section	dimension	lock p. 124	handle p. 120
Example CS	2036	WEL	CHR	CRAR	36	LKSN	

Complimentary Furniture

Credenzas

WELARAR20



Manufacturing Standards

- Horizontal wood grain on sides and legs;
- Door with pressure latch;
- Base with metal inserts;
- 4 door credenza;
- No shelves.

Inserts: Available in satin nickel (SN), white (PB) and chrome (CHR) metal finishes.

Specify if handle desired (\$14 each, see p. 120).

Options

Lock



\$44 ea.

Prices

Dimensions						
A	B	C	CS	CSL	CG	CGL
Decorative base with (SN) satin nickel or (PB) white inserts						
207220	1457	1710	1630	1889		
Decorative base with (CHR) chrome inserts						
207220	1494	1747	1662	1927		

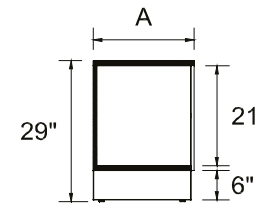
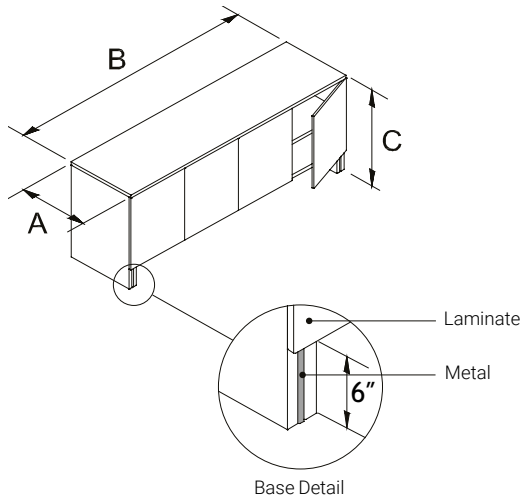
How to Order

CS CSL CG CGL	A B	WEL	SN PB CHR	ARAR	C	LKBL LKSN	
series	dimensions	base	metal finish	cabinet section	dimension	lock p. 124	handle p. 120
Example CS	2072	WEL	CHR	ARAR	20	LKSN	

Complimentary Furniture

Credenzas

WELARAR29



Manufacturing Standards

- Horizontal wood grain on sides and legs;
- Door with pressure latch;
- Base with metal inserts;
- 4 door credenza;
- 1 adjustable shelf.

Inserts: Available in satin nickel (SN), white (PB) and chrome (CHR) metal finishes.

Specify if handle desired (\$14 each, see p. 120).

Options

Lock



\$44 ea.

Prices

Dimensions						
A	B	C	CS	CSL	CG	CGL
Decorative base with (SN) satin nickel or (PB) white inserts						
207	229		1527	1785	1700	1965
Decorative base with (CHR) chrome inserts						
207	229		1566	1823	1736	2001

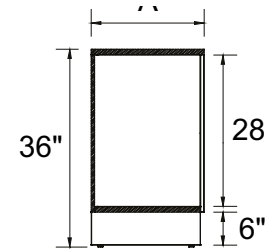
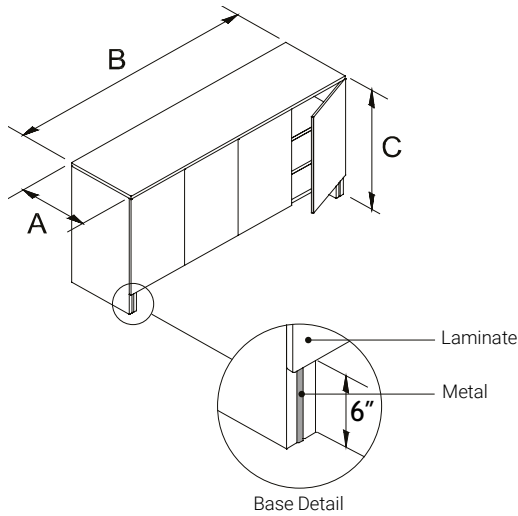
How to Order

CS CSL CG CGL	A B	WEL	SN PB CHR	ARAR	C	LKBL LKSN	
series	dimensions	base	metal finish	cabinet section	dimension	lock p. 124	handle p. 120
Example CS	2072	WEL	CHR	ARAR	29	LKSN	

Complimentary Furniture

Credenzas

WELARAR36



Manufacturing Standards

- Horizontal wood grain on sides and legs;
- Door with pressure latch;
- Base with metal inserts;
- 4 door credenza;
- 2 adjustable shelves.

Inserts: Available in satin nickel (SN), white (PB) and chrome (CHR) metal finishes.

Specify if handle desired (\$14 each, see p. 120).

Options

Lock



\$44 ea.

Prices

Dimensions						
A	B	C	CS	CSL	CG	CGL
Decorative base with (SN) satin nickel or (PB) white inserts						
207	236		1601	1857	1770	2038
Decorative base with (CHR) chrome inserts						
207	236		1637	1896	1807	2077

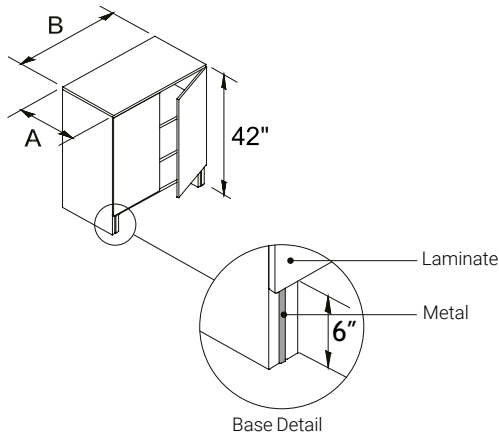
How to Order

	CS CSL CG CGL	A B	WEL	SN PB CHR	ARAR	C	LKBL LKSN	
series								
dimensions								
base								
metal finish								
cabinet section								
dimension								
Example	CS	2072	WEL	CHR	ARAR	36	LKSN	

Complimentary Furniture

Cabinets

WELAR42



Manufacturing Standards

- 2 spring-loaded latch doors;
- Horizontal wood grain on doors and legs;
- Base with metal inserts;
- 5/8" laminate back;
- 2 adjustable shelves.

Inserts: Available in satin nickel (SN), white (PB) and chrome (CHR) metal finishes.

Specify if handle desired (\$14 each, see p. 120).

Adjustable shelves (SH): see Appendix E for prices, p. 16.

Options

Lock



\$44 ea.

Prices

Dimensions		
A	B	C
Decorative base with (SN) satin nickel or (PB) white inserts	CS	CG
203642	1127	1212
Decorative base with (CHR) chrome inserts		
203642	1168	1252

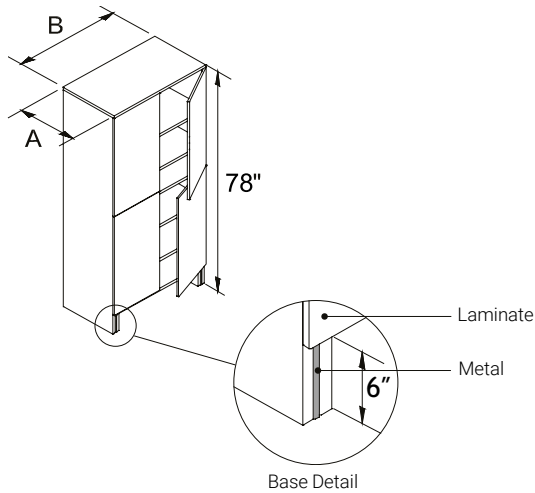
How to Order

CS CG	A B	WEL	SN PB CHR	AR	C	LKBL LKSN	SH
series	dimensions	product	metal finish	cabinet section	dimension	lock p. 124	handle p. 120
Example CS	2036	WEL	CHR	AR	42	LKSN	SH

Complimentary Furniture

Cabinets

WELAR78



Manufacturing Standards

- 4 spring-loaded latch doors;
- Horizontal wood grain on doors and vertical wood grain on legs;
- Base with metal inserts;
- 5/8" laminate back;
- 4 adjustable shelves and 1 fixed shelf.

Inserts: Available in satin nickel (SN), white (PB) and chrome (CHR) metal finishes.

Specify if handle desired (\$14 each, see p. 120).

Adjustable shelves (SH): see Appendix E for prices, p. 16.

Options

Lock



\$44 ea.

Prices

Dimensions		
A	B	C
Decorative base with (SN) satin nickel or (PB) white inserts	CS	CG
203678	1578	1662
Decorative base with (CHR) chrome inserts		
203678	1601	1687

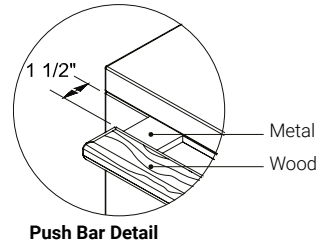
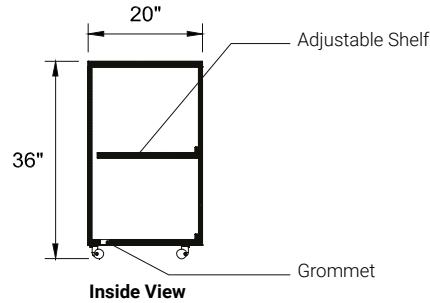
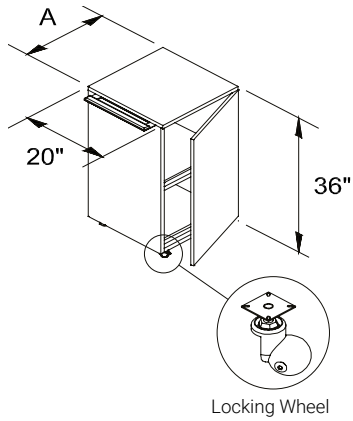
How to Order

CS CG	A B	WEL	SN PB CHR	AR	C	LKBL LKSN	SH
series	dimensions	product	metal finish	cabinet section	dimension	lock p. 124	handle p. 120
Example CS	2036	WEL	CHR	AR	78	LKSN	H011

Complimentary Furniture

Mobile Service Carts

WELCART20



Manufacturing Standards

- 1 door with spring-loaded latch;
- Horizontal wood grain on doors and sides;
- Locking casters;
- 1 adjustable shelf with clearance for wiring;
- Push bar for moving cart, in wood that match the surface finish, with metal inserts;
- Ventilation opening and grommet at bottom.

Available in satin nickel (SN), white (PB) and chrome (CHR) metal finishes.

Specify if handle desired (\$14 each, see p. 120).

Wood finishes: Available colors: White Wash **WW**, Golden Wheat **GW**, Sand **SD**, Apricot **AT**, Pecan **PN**, Brandy **BR**, Chestnut **CT**, Coffee **CF**, Espresso **ES**, Bordeaux **BO**, Black Wash **BW** and Bark **BK**.

Options

Lock



\$44 ea.

Prices

Dimensions				
A	CS	CSL	CG	CGL
Push bar with (SN) satin nickel or (PB) white finish				
20	1163	1274	1212	1323
Push bar with (CHR) chrome finish				
20	1297	1410	1345	1460

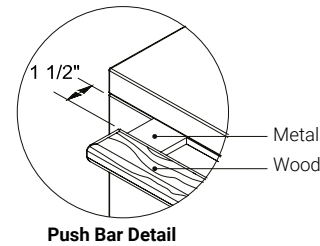
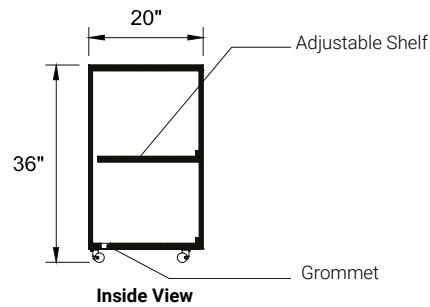
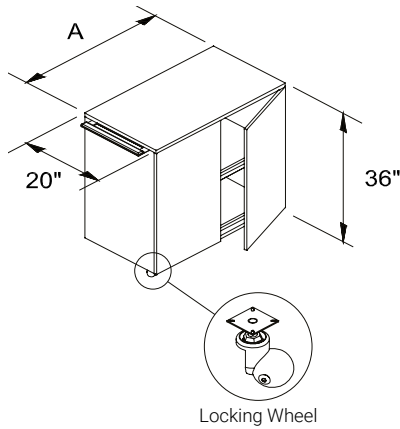
How to Order

CS CSL CG CGL	WEL	SN PB CHR	CART	A	LKBL LKSN	
series	product	metal finish	code	dimension	lock p. 124	handle p. 120
Example CS	WEL	SN	CART	20	LKSN	H011

Complimentary Furniture

Mobile Service Carts

WELCART36



Manufacturing Standards

- Doors with spring-loaded latch;
- Horizontal wood grain on doors and sides;
- Locking casters;
- 1 adjustable shelf with clearance for wiring;
- Push bar for moving cart, in wood that match the surface finish, with metal inserts;
- Ventilation opening and grommet at bottom.

Available in satin nickel (SN), white (PB) and chrome (CHR) metal finishes.

Specify if handle desired (\$14 each, see p. 120).

Wood finishes: Available colors: White Wash **WW**, Golden Wheat **GW**, Sand **SD**, Apricot **AT**, Pecan **PN**, Brandy **BR**, Chestnut **CT**, Coffee **CF**, Espresso **ES**, Bordeaux **BO**, Black Wash **BW** and Bark **BK**.

Options

Lock



\$44 ea.

Prices

Dimensions				
A	CS	CSL	CG	CGL
Push bar with (SN) satin nickel or (PB) white finish				
36	1253	1407	1340	1497
Push bar with (CHR) chrome finish				
36	1388	1546	1474	1637

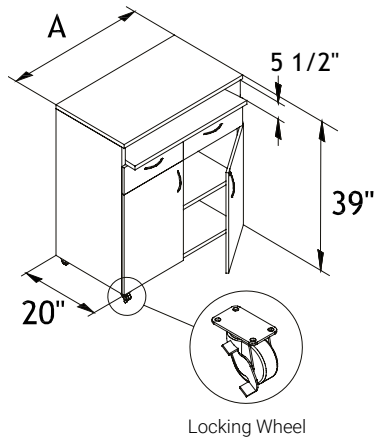
How to Order

CS CSL CG CGL	WEL	SN PB CHR	CART	A 36	LKBL LKSN	
series	product	metal finish	code	dimension	lock p. 124	handle p. 120
Example CS	WEL	SN	CART	36	LKSN	H011

Complimentary Furniture

Mobile Service Carts

WCART36



Manufacturing Standards

- 2 doors;
- 2 drawers and 1 sub-surface sliding shelf;
- Vertical wood grain on doors and sides;
- 1 adjustable shelf in cabinet section;
- HJAB handles;
- Lock, cabinet section;
- Unit on wheels (front-locking).

Handle: For a handle other than HJAB standard, please choose from the Logiflex list at no extra charge, see [p. 120](#).

Prices

Dimensions				
A	ML	MLL	MA	MAL
36	1547	1699	1599	1761

How to Order

ML MLL MA MAL		A	+
	WCART	36	
series	code	dimension	handle p. 120

Example

ML	WCART	36	
----	--------------	-----------	--

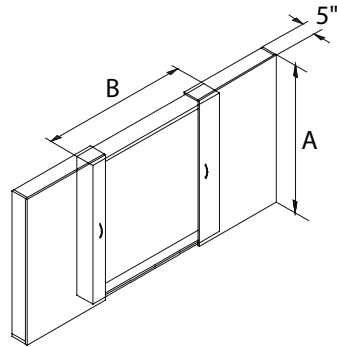
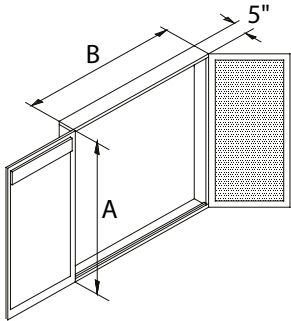
Complimentary Furniture



Conference Boards

WC - White Board (with doors)

WCSD - White Board (sliding doors)



Manufacturing Standards

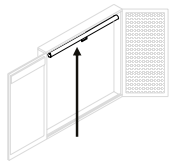
- For wall mounting (with Z-bar in back);
- 5" laminate frame;
- For models with doors, left door with writing pad, right door with cork;
- Model with sliding doors;
- Handle (HJAB).

Handle: For a handle other than HJAB standard, please choose from the Logiflex list at no extra charge., see p. 120).

Attention: Logiflex is in no way responsible for the installation of conference boards. This responsibility belongs entirely to the distributor or to the client.

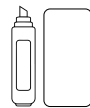
Options

Projector Screens *(Factory installed)*



- SCREEN36** \$398
- SCREEN48** \$482

Eraser & Crayon Kit



\$65

Prices

WC - White Board (with doors)

Dimensions			
A	B	ML	MA
3636		1439	1463
3642		1558	1590
3648		1678	1712
3654		1799	1836
4848		1944	1980
4854		2098	2137
4860		2198	2239

WCSD - White Board with sliding doors

Dimensions		
A	B	ML
4848		3050
4860		3255

How to Order

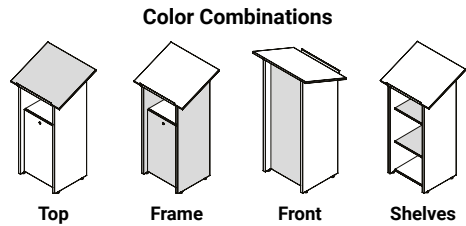
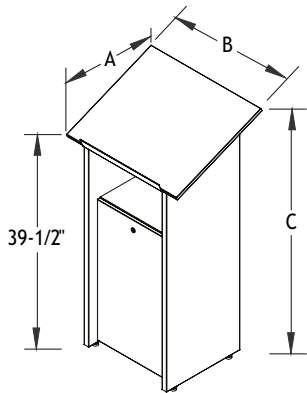
	ML MA	AB	WC WCSD	SCREEN36 SCREEN48	EBC	
series	dimension	product	screen	eraser/crayon p. 124	handle p. 120	
Example	ML	3642	WC	SCREEN36	EBC	

Complimentary Furniture



Lectern

LTN



Manufacturing Standards

- Top 20"D x 24"W, 23° incline with satin nickel finished aluminum edge stopper;
- Open storage space with grommet;
- Cabinet with 1 push to open door and 1 adjustable shelf;
- Grommet at the bottom;
- Lock;
- White nylon levelers.

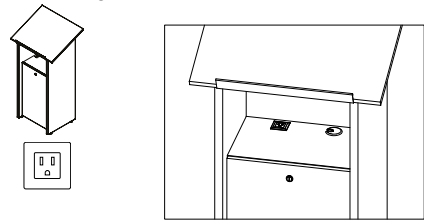
Tips & Tricks

For the mobile version, see next page.

Note: No modification to the dimensions is possible for the lectern.

Options

Electric Plug



\$135

Prices

Dimensions	
A	B C
19 24 47	1059

How to Order

- SQE-120-C
- SQE-120-JM
- SQE-120-JL
- SQE-120-JK

ML	ABC	LTN	
series	dimensions	product	electric plug

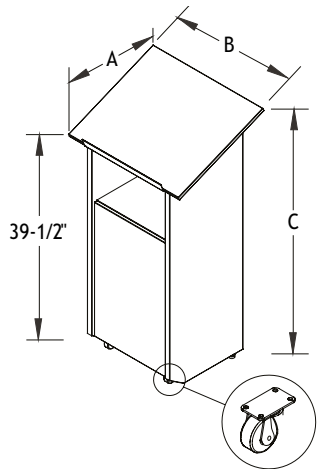
Example ML 192447 LTN SQE-120-C

Complimentary Furniture

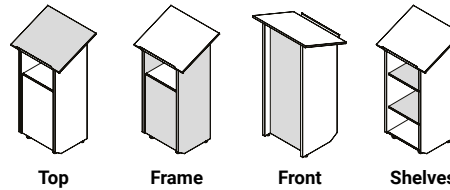


Mobile Lectern

LTNM



Color Combinations



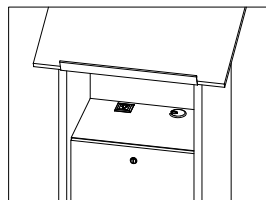
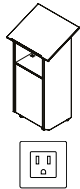
Manufacturing Standards

- Top 20"D x 24"W, 23° incline with satin nickel finished aluminum edge stopper;
- Open storage space with grommet;
- Section with removable panel and 1 adjustable shelf;
- Grommet at the bottom;
- 2 wheels on user's side and 2 white nylon levelers.

Note: No modification to the dimensions is possible for the lectern.

Options

Electric Plug



\$135

Prices

Dimensions	
A	B C
19 24 47	11 93

How to Order


 SQE-120-C
 SQE-120-JM
 SQE-120-JL
 SQE-120-JK

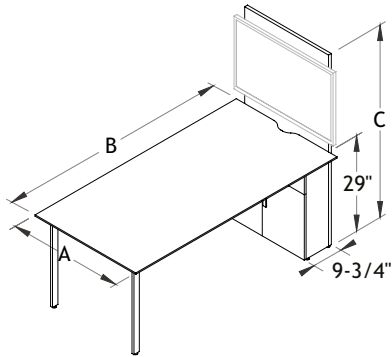
ML	ABC	LTNM	
series	dimensions	product	electric plug

Example ML 192447 LTNM SQE-120-C

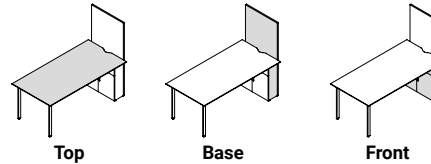
Collaborative Furniture

Collaborative and Multimedia Tables

MP



Combination of Colors



Manufacturing Standards

- Delivered disassembled;
- Rectangular top with knife edge;
- 2 chrome-finish metal legs, 29" H;
- Surface cutout for wire management;
- Storage cabinet under the top with 1 adjustable shelf and chrome finish H052 handles;
- Built-in 1" laminate vertical panel to mount a screen;
- Grommet hole in the base of the unit to manage screen cables;
- Vertical wood grain on front.

The Oasis connectivity unit is only available for 73" tables.

Dimension "B" includes the 1" vertical panel.

Screen and screen mounting hardware not included. Maximum recommended screen size 60".

Handle: For a handle other than H052 standard, please choose from the Logiflex list at no extra charge, see p. 120).

Options

Lock



\$44 ea.

Connectivity



Specify connectivity on p. 126



\$721 \$1 137 \$932

Wireless charger



\$624

Prices

Dimensions		
A	B	C
305559	1413	1413
306159	1455	1455
306759	1497	1497
307359	1538	1538
365559	1519	1519
366159	1570	1570
366759	1617	1617
367359	1667	1667

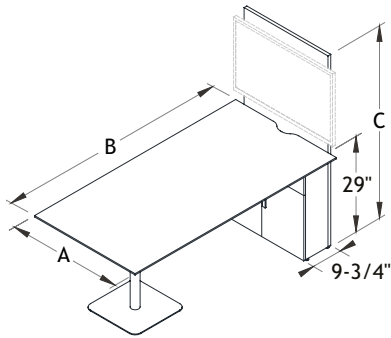
How to Order

LV	A B C	MP	WH BL SN CHR (std)	INT A/B/C OAS A/B/C MH3 B/C/D	QIBL	LKBL LKSN	
series	dimensions	product	metal finish	connectivity	Qi p. 127	lock p. 124	handle p. 120
Example	LV	366159	MP	CHR	MH3B	QIBL	LKSN

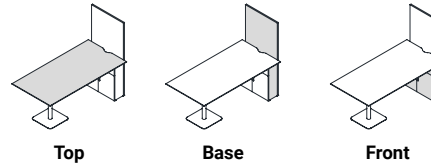
Collaborative Furniture

Collaborative and Multimedia Tables

MT



Combination of Colors



Manufacturing Standards

- Delivered disassembled;
- Rectangular top with knife edge and square satin nickel finish Lennox metal base, 29" H;
- Surface cutout for wire management;
- Storage cabinet under the top with 1 adjustable shelf and satin nickel finish H052 handles;
- Built-in 1" laminate vertical panel to mount a screen;
- Grommet hole in the base of the unit to manage screen cables;
- Vertical wood grain on front and on vertical panel.

The Oasis connectivity unit is only available for 73" tables.

Dimension "B" includes the 1" vertical panel.

Screen and screen mounting hardware not included. Maximum recommended screen size 60".

Handle: For a handle other than H052 standard, please choose from the Logiflex list at no extra charge, see p. 120).

Options

Lock



\$44 ea.

Connectivity



Specify connectivity on p. 126



\$721 \$1 137 \$932



\$2 619 \$3 035 \$2 830

Wireless charger



\$624

Prices

Dimensions		
A	B	C
305559	1709	2519
306159	1749	2562
306759	1790	2602
307359	1832	2644
365559	1813	2625
366159	1862	2672
366759	1912	2724
367359	1961	2771

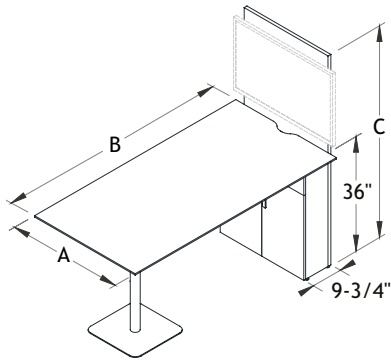
How to Order

LV	A B C	MT	WH BL CHR SN (std)	INT A/B/C OAS A/B/C MH3 B/C/D	QIBL	LKBL LKSN	
series	dimensions	product	metal finish	connectivity	Qi p. 127	lock p. 124	handle p. 120
Example	LV	366159	MT	SN	MH3B	QIBL	LKSN

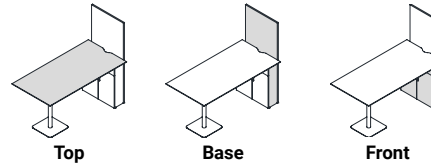
Collaborative Furniture

Collaborative and Multimedia Tables

MB



Combination of Colors



Manufacturing Standards

- Delivered disassembled;
- Rectangular top with knife edge and square satin nickel finish Lennox metal base, 36" H;
- Surface cutout for wire management;
- Storage cabinet under the top with 2 adjustable shelves and satin nickel finish H052 handles;
- Built-in 1" laminate vertical panel to mount a screen;
- Grommet hole in the base of the unit to manage screen cables;
- Vertical wood grain on front and on vertical panel.

The Oasis connectivity unit is only available for 73" tables.

Dimension "B" includes the 1" vertical panel.

Screen and screen mounting hardware not included. Maximum recommended screen size 60".

Handle: For a handle other than H052 standard, please choose from the Logiflex list at no extra charge, see p. 120).

Options

Lock



\$44 ea.

Connectivity



Specify connectivity on p. 126



\$721 \$1 137 \$932

Wireless charger



\$624

Prices

Dimensions		
A	B	C
305566	1740	2597
306166	1781	2639
306766	1823	2680
307366	1867	2722
365566	1848	2705
366166	1897	2757
366766	1948	2804
367366	1998	2852

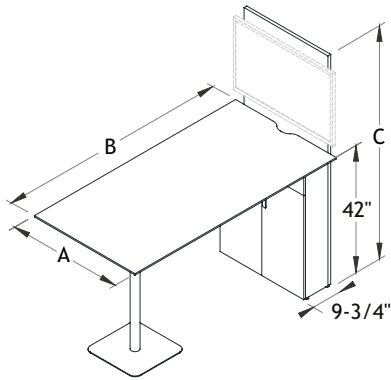
How to Order

LV	A B C	MB	WH BL CHR SN (std)	INT A/B/C OAS A/B/C MH3 B/C/D	QIBL	LKBL LKSN	
series	dimensions	product	metal finish	connectivity	Qi p. 127	lock p. 124	handle p. 120
Example	LV	367366	MB	SN	MH3B	QIBL	LKSN

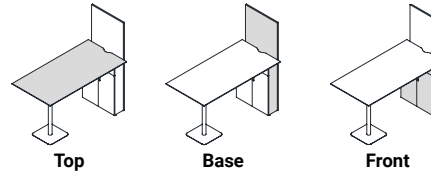
Collaborative Furniture

Collaborative and Multimedia Tables

MG



Combination of Colors



Manufacturing Standards

- Delivered disassembled;
- Rectangular top with knife edge and square satin nickel finish Lennox metal base, 42" H;
- Surface cutout for wire management;
- Built-in 1" laminate vertical panel to mount a screen;
- Storage cabinet under the top with 2 adjustable shelves and satin nickel finish H052 handles;
- Grommet hole in the base of the unit to manage screen cables;
- Vertical wood grain on front and on vertical panel.

The Oasis connectivity unit is only available for 73" tables.

Dimension "B" includes the 1" vertical panel.

Screen and screen mounting hardware not included. Maximum recommended screen size 60".

Handle: For a handle other than H052 standard, please choose from the Logiflex list at no extra charge, see p. 120).

Options

Lock



\$44 ea.

Connectivity



Specify connectivity on p. 126



\$721 \$1 137 \$932



\$2 619 \$3 035 \$2 830

Wireless charger



\$624

Prices

Dimensions				
A	B	C	SN/BL/WH	CHR
305572			1768	2654
306172			1810	2696
306772			1850	2737
307372			1893	2780
365572			1878	2768
366172			1930	2818
366772			1978	2865
367372			2028	2917

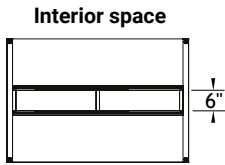
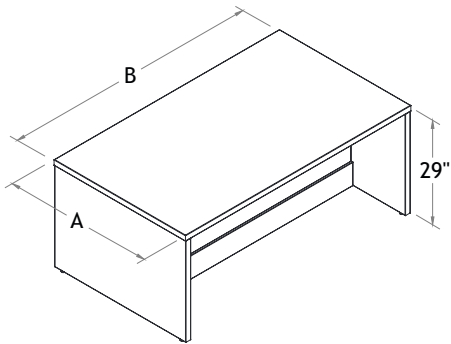
How to Order

LV	A B C	MG	WH BL CHR SN (std)	INT A/B/C OAS A/B/C MH3 B/C/D	QIBL	LKBL LKSN	
series	dimensions	product	metal finish	connectivity	Qi p. 127	lock p. 124	handle p. 120
Example	LV	307372	MG	SN	MH3B	QIBL	LKSN

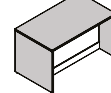
Collaborative Furniture

29" Collaboration Tables

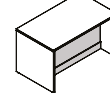
TAC29



Combination of Colors



Top & Legs
Color available for 1-5/8" only



Modesty & Removable Panel
5/8" panel

Manufacturing Standards

- Delivered disassembled;
- Top and legs in laminate;
LL: 1";
LK: 1-5/8";
- Modesty in 5/8" laminate with removable panel to ease wire management;
- White nylon levelers;
- 29" high.

Leg Grommet: 2-1/2" black plastic grommet.

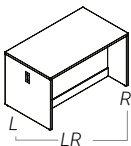
Top Connectivity: Connectivity units are offered only in the horizontal position and cannot be ordered in the same position (ex: MH3A and QIBL in the centre position).

Note: Both grommet and connectivity options cannot be ordered together on the same side. (ex. PGR and COV1).

Combination of Colors: High gloss finish is only available on modesties and removable panels.

Options

Leg Grommet



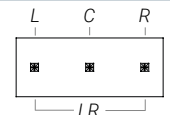
PGR

\$0

Leg Connectivity



\$581



Top Connectivity

\$401

\$401

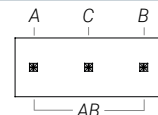
\$401



\$684



\$581



Wireless Charger



\$624

Prices

Dimensions						
A	B	C	LL	LL (HG)	LK	LK (HG)
364829	1320	1450	1320	1450		
366029	1408	1551	1408	1551		
367229	1498	1649	1498	1649		
368429	1589	1747	1589	1747		
369629	1692	1861				
<hr/>						
424829	1408	1551	1408	1551		
426029	1498	1649	1498	1649		
427229	1589	1747	1589	1747		
428429	1679	1846				
429629	1781	1960				

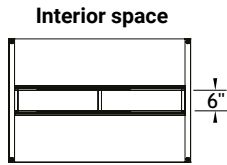
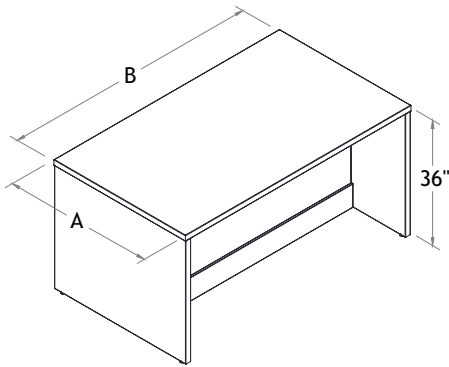
How to Order

LK	AB	TAC	29	PGRL PGRR PGLR PNGR (std)	COV1	L R LR	COV1 MH1 MH3A MH3B MH3C MH3D	L C R LR	QIBL	A C B AB
series	dimensions	code	height	leg grommet	connectivity: leg COV1 + position	connectivity: top connectivity + position	wireless charger Qi + position			
Example LK	3648	TAC	29	PNGR						

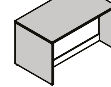
Collaborative Furniture

36" Collaboration Tables

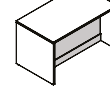
TAC36



Combination of Colors



Top & Legs
Color available for 1-5/8" only



Modesty & Removable Panel
5/8" panel

Manufacturing Standards

- Delivered disassembled;
- Top and legs in laminate; LL: 1"; LK: 1-5/8";
- Modesty in 5/8" laminate with removable panel to ease wire management;
- White nylon levelers;
- 36" high.

Leg Grommet: 2-1/2" black plastic grommet.

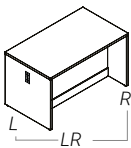
Top Connectivity: Connectivity units are offered only in the horizontal position and cannot be ordered in the same position (ex: MH3A and QIBL in the centre position).

Note: Both grommet and connectivity options cannot be ordered together on the same side. (ex. PGR and COV1).

Combination of Colors: High gloss finish is only available on modesties and removable panels.

Options

Leg Grommet

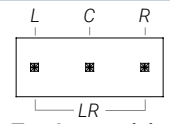


PGR
\$0

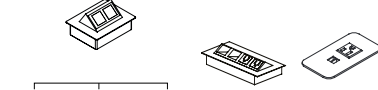
Leg Connectivity



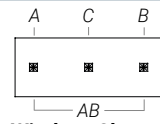
\$581



Top Connectivity



\$401 \$401 \$401 \$684 \$581



Wireless Charger



\$624

Prices

Dimensions				
A B C	LL	LL (HG)	LK	LK (HG)
364836	1472	1617	1472	1617
366036	1569	1724	1569	1724
367236	1662	1831	1662	1831
368436	1773	1952	1773	1952
369636	1886	2075		
<hr/>				
424836	1561	1717	1561	1717
426036	1656	1823	1656	1823
427236	1755	1931	1755	1931
428436	1867	2050		
429636	1975	2174		

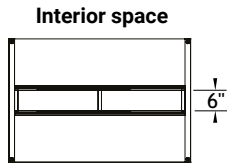
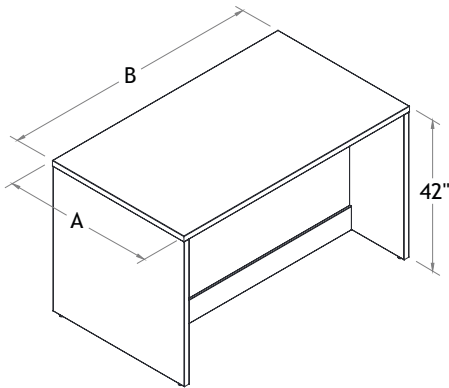
How to Order

LK	AB	TAC	36	PGRL PGRR PGLR PNGR (std)	COV1	L R LR	COV1 MH1 MH3A MH3B MH3C MH3D	L C R LR	QIBL	A C B AB
series	dimensions	code	height	leg grommet	connectivity: leg COV1 + position	connectivity: top connectivity + position	wireless charger Qi + position			
Example LK	3648	TAC	36	PNGR						

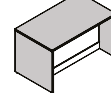
Collaborative Furniture

42" Collaboration Tables

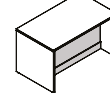
TAC42



Combination of Colors



Top & Legs
Color available for 1-5/8" only



Modesty & Removable Panel
5/8" panel

Manufacturing Standards

- Delivered disassembled;
- Top and legs in laminate; LL: 1"; LK: 1-5/8";
- Modesty in 5/8" laminate with removable panel to ease wire management;
- White nylon levelers;
- 42" high.

Leg Grommet: 2-1/2" black plastic grommet.

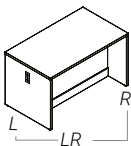
Top Connectivity: Connectivity units are offered only in the horizontal position and cannot be ordered in the same position (ex: MH3A and QIBL in the centre position).

Note: Both grommet and connectivity options cannot be ordered together on the same side. (ex. PGR and COV1).

Combination of Colors: High gloss finish is only available on modesties and removable panels.

Options

Leg Grommet



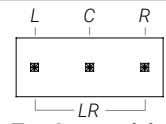
PGR

\$0

Leg Connectivity



\$581



Top Connectivity

\$401

\$401

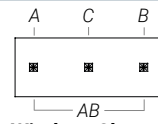
\$401



\$684



\$581



Wireless Charger



\$624

Prices

Dimensions						
A	B	C	LL	LL (HG)	LK	LK (HG)
364842	1631	1792	1631	1792		
366042	1740	1913	1740	1913		
367242	1850	2036	1850	2036		
368442	1968	2164	1968	2164		
369642	2093	2301				
<hr/>						
424842	1781	1960	1781	1960		
426042	1893	2080	1893	2080		
427242	2003	2203	2003	2203		
428442	2120	2332				
429642	2243	2470				

How to Order

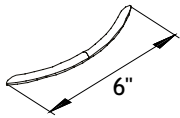
LK	AB	TAC	42	PGR PGRR PGLR PNGR (std)	COV1	L R LR	COV1 MH1 MH3A MH3B MH3C MH3D	L C R LR	QIBL	A C B AB
series	dimensions	code	height	leg grommet	connectivity: leg COV1 + position		connectivity: top connectivity + position		wireless charger Qi + position	
Example LK	3648	TAC	42	PNGR						

Accessories

Handles

HJA

Handle

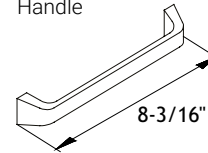


- 6" metal handle;
- 5-1/32" (128mm) center to center.

Code	\$	Description
HJA	14	<i>Satin Nickel</i>
HJAB	14	<i>Black</i>

H070

Handle

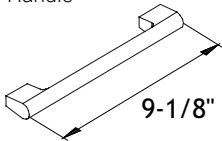


- 8-3/16" metal handle;
- 7-1/2" (190.5mm) center to center.

Code	\$	Description
H070BN	14	<i>Brushed Nickel</i>
H070CHR	14	<i>Chrome</i>

H011

Handle

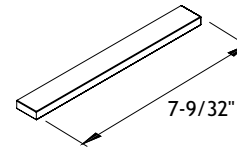


- 9-1/8" metal handle;
- 8-13/16" (224mm) center to center.

Code	\$	Description
H011	14	<i>Satin Nickel</i>

H071

Handle

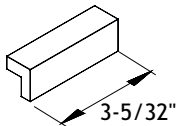


- 7-9/32" metal handle;
- 6-5/16" (160.338mm) center to center.

Code	\$	Description
H071CHR	14	<i>Chrome</i>
H071BN	14	<i>Brushed Nickel</i>
H071BL	14	<i>Black</i>
H071WH	14	<i>White</i>

H051

Handle

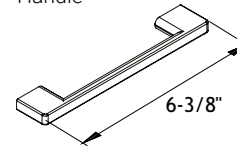


- 3-5/32" metal handle;
- 2-17/32" (64mm) center to center.

Code	\$	Description
H051CHR	14	<i>Chrome</i>
H051SN	14	<i>Satin Nickel</i>
H051BL	14	<i>Black</i>
H051WH	14	<i>White</i>

H072

Handle

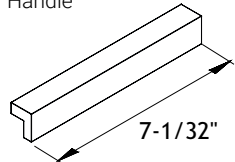


- 6-3/8" metal handle;
- 5-1/32" (127.8mm) center to center.

Code	\$	Description
H072CHR	14	<i>Chrome</i>
H072BL	14	<i>Black</i>
H072WH	14	<i>White</i>

H052

Handle

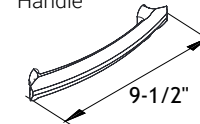


- 7-1/32" metal handle;
- 6-9/32" (160mm) center to center.

Code	\$	Description
H052CHR	14	<i>Chrome</i>
H052SN	14	<i>Satin Nickel</i>
H052BL	14	<i>Black</i>
H052WH	14	<i>White</i>

SXP002

Handle

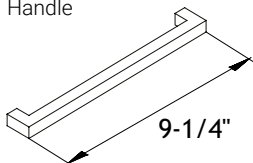


- 9-1/2" metal handle;
- 7-9/16" (191.5mm) center to center.

Code	\$	Description
SXP002	14	<i>Satin Nickel</i>

H060

Handle

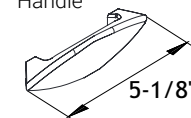


- 9-1/4" metal handle;
- 8-3/4" (222.25mm) center to center.

Code	\$	Description
H060BN	14	<i>Brushed Nickel</i>
H060CHR	14	<i>Chrome</i>

SXP003

Handle



- 5-1/8" metal handle;
- 3-25/32" (96mm) center to center.

Code	\$	Description
SXP003	14	<i>Satin Nickel</i>

Accessories

Legs

4.5

Round Leg

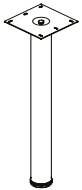


- Fixed round metal leg / on leveler;
- 4-1/2" diameter;
- 6" x 6" end plate;
- Finish: Black (BL) and Satin Nickel (SN);
- Height: 27-1/2".

Code	\$	Description
4.5BL	254	Black
4.5SN	254	Satin Nickel

IFN

Round Leg

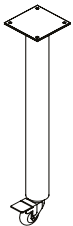


- Fixed round metal leg / on leveler;
- 2-1/2" diameter;
- 3-3/4" x 3-3/4" end plate screwed to the leg;
- Finish: Black (BL) and Satin Nickel (SN);
- Height: 27-1/2".

Code	\$	Description
IFNBL	89	Black
IFNSN	89	Satin Nickel

IFW

Round Leg

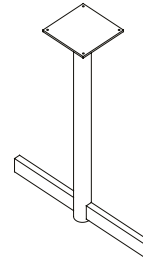


- Fixed round metal leg;
- 2-1/2" diameter;
- Locking wheel;
- 3-3/4" x 3-3/4" end plate;
- Finish: Black (BL) and Satin Nickel (SN);
- Height: 28".

Code	\$	Description
IFWBL	156	Black
IFWSN	156	Satin Nickel

MT

T Leg



- Fixed metal T leg;
- Base: 22" (CHR), 26", 30" or 36" (BL) and (CHR);
- 8" x 8" end plate;
- Finish: Black (BL) and Chrome (CHR);
- Height: 27-1/2".

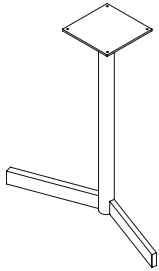
Code	\$	Description
MT26BL	234	26" base, Black
MT30BL	234	30" base, Black
MT36BL	234	36" base, Black
MT22CHR	234	22" base, Chrome
MT26CHR	234	26" base, Chrome
MT30CHR	234	30" base, Chrome
MT36CHR	234	36" base, Chrome

Accessories

Legs

MY

V Leg

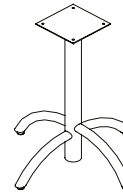


- Fixed metal V leg;
- Base: 26", 30" or 36";
- 8" x 8" end plate;
- Finish: Black (BL) and Chrome (CHR);
- Height: 27-1/2".

Code	\$	Description
MY26BL	234	26" base, Black
MY30BL	234	30" base, Black
MY36BL	234	36" base, Black
MY26CHR	234	26" base, Chrome
MY30CHR	234	30" base, Chrome
MY36CHR	234	36" base, Chrome

MXLX

Deluxe Cross Leg

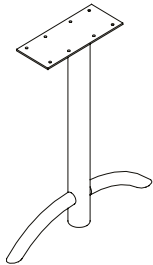


- Fixed Deluxe metal cross leg / on leveler;
- Base: 24", 30" or 36";
- 8" x 8" end plate;
- Finish: Black (BL) and Satin Nickel (SN);
- Height: 27-1/2".

Code	\$	Description
MXLX24BL	645	24" base, Black
MXLX30BL	645	30" base, Black
MXLX36BL	645	36" base, Black
MXLX24SN	645	24" base, Satin Nickel
MXLX30SN	645	30" base, Satin Nickel
MXLX36SN	645	36" base, Satin Nickel

TF

Deluxe T Leg

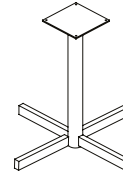


- Fixed Deluxe metal T leg / on levelers;
- Base: 24";
- 5" x 12" end plate;
- Finish: Black (BL) and Satin Nickel (SN);
- Height: 27-1/2".

Code	\$	Description
TF24NBL	264	24" base, Black
TF24NSN	264	24" base, Satin Nickel

MX

Cross Leg

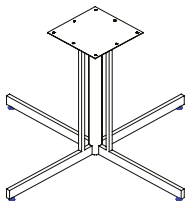


- Fixed metal cross leg;
- Base: 26", 30" or 36";
- 8" x 8" end plate;
- Finish: Black (BL) and Chrome (CHR);
- Height: 27-1/2".

Code	\$	Description
MX26BL	258	26" base, Black
MX30BL	303	30" base, Black
MX36BL	303	36" base, Black
MX26CHR	303	26" base, Chrome
MX30CHR	303	30" base, Chrome
MX36CHR	303	36" base, Chrome

MXH44

Heavy Duty Cross Leg



- Fixed Heavy Duty metal cross leg / on leveler;
- Base: 44"
- 12" x 12" end plate;
- Finish: Black (BL);
- Height: 27-1/2".

Code	\$	Description
MXH44BL	475	Black

Accessories

Legs

HATLEY

Fixed Leg



- Set of two 28" tapered legs with wood insert;
- 4" x 4" end plate;
- Finish: Satin Nickel (SN) and Chrome (CHR);
- Height: 28".

Code	\$	Description
HATSN	329	Satin Nickel
HATCHR	329	Chrome
HATBL	329	Black

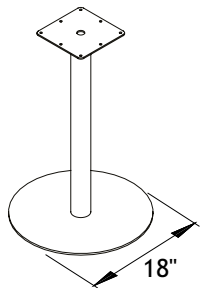
Varnish and Stain Colors of Wooden Insert

GW Golden Wheat	PN Pecan
WW White Wash	CF Coffee
CT Chestnut	BR Brandy
ES Espresso	BK Bark
AT Apricot	SD Sand
BW Black Wash	BO Bordeaux

For stability reasons, please check with your account manager the dimensions of your furniture when ordering these legs separately from the surface.

MAGOG

Fixed Leg



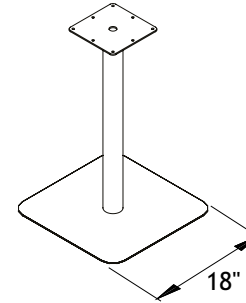
- Fixed Magog leg;
- Base: 18";
- 8" x 8" end plate;
- Finish: Satin Nickel (SN), Black (BL) and Chrome (CHR);
- Height: 28".

Code	\$	Description
MAGSN	571	Satin Nickel
MAGBL	571	Black
MAGCHR	1166	Chrome
MAGWH	571	White

For stability reasons, please check with your account manager the dimensions of your furniture when ordering this leg separately from the surface.

LENNOX

Fixed Leg



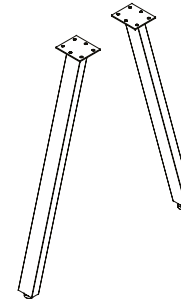
- Fixed Lennox leg;
- Base: 18";
- 8" x 8" end plate;
- Finish: Satin Nickel (SN), Black (BL) and Chrome (CHR);
- Height: 28".

Code	\$	Description
LENSN	571	Satin Nickel
LENBL	571	Black
LENCHR	1166	Chrome
LENWH	571	White

For stability reasons, please check with your account manager the dimensions of your furniture when ordering this leg separately from the surface.

RA2

Angled Rectangular Leg



- Set of 2 angled rectangular metal legs;
- Dimensions: 2" x 1";
- Finish: Satin Nickel (SN) and Black (BL);
- Height: 28".

Code	\$	Description
RA2SN	188	Satin Nickel
RA2BL	188	Black
RA2WH	188	White

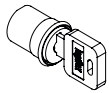
For stability reasons, please check with your account manager the dimensions of your furniture when ordering this leg separately from the surface.

Accessories

Miscellaneous Accessories

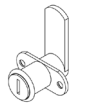
LK

Lock/key



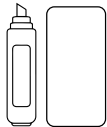
- Locks with keys
- Finish: Satin nickel or black finish;
- Additional locks, sold separately or factory installed;
- Please specify the type of furniture on which the will be installed.

Code	\$	Description
LKSN	44	Satin Nickel lock (factory installed)
LKBL	44	Black lock (factory installed)
LKSNF	29	Satin Nickel front lock
LKBLF	29	Black front lock
LKSNP	29	Satin Nickel door lock
LKBLP	29	Black door lock
KEY	24	Set of 2 keys - #501 - 600
SERR 010	24	1 master key



EBC

Eraser and Crayon Kit

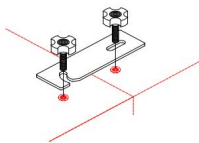


- Eraser and crayon kit for white boards.

Code	\$	Description
EBC	65	

AGC

Ganging Clamp

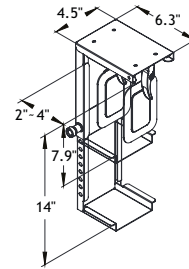


- Ganging clamp used to join 2 surfaces side by side;
- For use with training tables
- With thumb screw
- 2 fasteners per set. Order 1 per junction.

Code	\$	Description
AGC	65	

MCPU50

Miniature CPU Holder

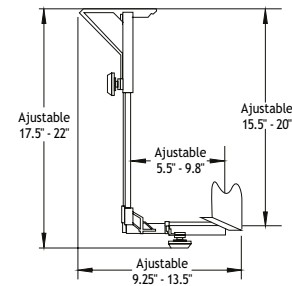


- Height adjustable: 8" - 14";
- Width adjustable: 2" - 4";
- Maximum capacity: 10 kg (22 lbs);
- Need a minimum 5" deep clearance.

Code	\$	Description
MCPU50	171	

MCPU90

CPU Holder

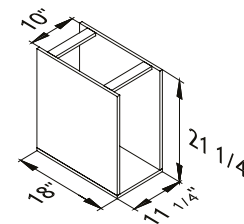


- Black metal CPU holder;
- Easy manipulation;
- Vertical adjustment:
 - Height: 15.5" x 20"
 - Width: 5.5" x 9.8"
- Horizontal adjustment:
 - Height: 17.5" x 22"
 - Width: 9.25" x 13.5"

Code	\$	Description
MCPU90	216	per unit

CPUIND

CPU Holder



- 5/8" thick laminate CPU holder;
- 10" x 20" interior

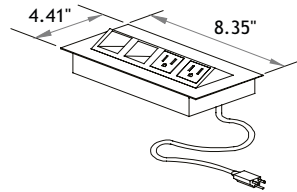
Code	\$	Description
CPUIND	184	per unit

Accessories

Electrical Accessories

MH1

Power/Data Centre



- Power/data centre with retractable door;
- 2 electrical outlets and 2 empty telecommunication outlets (outlets not included);
- 72" power cable with electric plug;
- 15A/125V. 1 set of universal adapters.

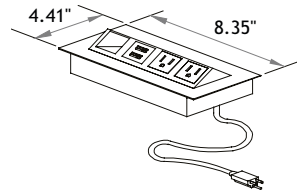


Code	\$	Description
MH1SN	684	Satin Nickel, 72" power cable
MH1SN120	696	Satin Nickel, 120" power cable
MH1WH	684	White, 72" power cable
MH1WH120	696	White, 120" power cable
MH1BL	684	Black, 72" power cable
MH1BL120	696	Black, 120" power cable



MH1B

Power/Data Centre



- Power/data centre with retractable door;
- 2 electrical outlets, 1 USB (charger) and 1 empty telecommunication outlet (outlet not included);
- 72" or 120" power cable with electric plug;
- 1 set of universal adapters.

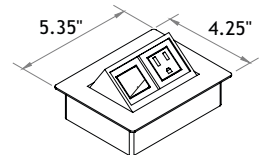


Code	\$	Description
MH1BSN	767	Satin Nickel, 72" power cable
MH1BSN120	779	Satin Nickel, 120" power cable



MH3A

Connectivity unit



- Retractable connectivity unit with 1 electrical outlet and 1 empty telecommunication outlet (outlet not included);
- 72" or 120" power cable with electric plug;
- Finish: Satin Nickel.

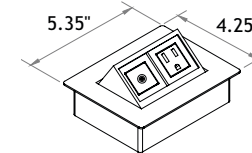


Code	\$	Description
MH3A	401	Satin Nickel, 72" power cable
MH3A120	415	Satin Nickel, 120" power cable



MH3B

Connectivity unit



- Retractable connectivity unit with 1 audio jack and 1 electrical outlet;
- 72" or 120" power cable with electric plug;
- Finish: Satin Nickel.

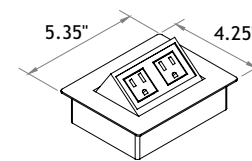


Code	\$	Description
MH3B	401	Satin Nickel, 72" power cable
MH3B120	415	Satin Nickel, 120" power cable



MH3C

Connectivity unit



- Retractable connectivity unit with 2 electrical outlets;
- 72" or 120" power cable with electric plug;
- Finish: Satin Nickel.

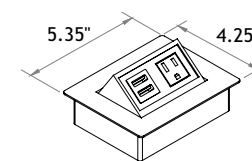


Code	\$	Description
MH3C	401	Satin Nickel, 72" power cable
MH3C120	415	Satin Nickel, 120" power cable



MH3D

Connectivity unit



- Retractable connectivity unit with 1 electrical outlet and 2 USB (chargers);
- 72" or 120" power cable with electric plug;
- Finish: Satin Nickel.



Code	\$	Description
MH3DSN	401	Satin Nickel, 72" power cable
MH3DSN120	415	Satin Nickel, 120" power cable
MH3DBL	401	Black, 72" power cable
MH3DBL120	415	Black, 72" power cable
MH3DWH	401	White, 72" power cable
MH3DWH120	415	White, 120" power cable

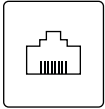


Accessories

Electrical Accessories

POR 01

RJ45, CAT 6 connectivity port

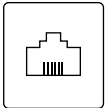


- RJ45, CAT6 connector;
- RJ45 M/F cable - 72";
- Finish: Black.

Code	\$	Description
POR 01	144	

POR 02

RJ11 connectivity port

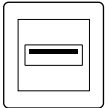


- RJ11 connector, 4 pin
- RJ11 M/F cable - 84";
- Finish: Black.

Code	\$	Description
POR 02	42	

POR 03

USB connectivity port

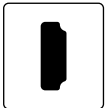


- 1 USB (data/passive);
- USB M/F cable - 72";
- Finish: Black.

Code	\$	Description
POR 03	89	

POR 04

HDMI connectivity port

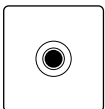


- HDMI connector;
- HDMI F/F cable - 18";
- Finish: Black.

Code	\$	Description
POR 04	131	

POR 05

Mini Stereo Jack

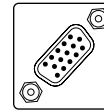


- 3.5 mm Mini Stereo Jack, M/F;
- Audio M/F cable -120";
- Finish: Black.

Code	\$	Description
POR 05	47	

POR 06

VGA Connector

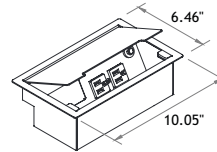


- VGA connector, 15 pin;
- VGA M/F cable -120";
- Finish: Black.

Code	\$	Description
POR 06	167	

INT

Interact



- Interact:
- 72" power cable with electric plug for INT A, INT B and INT C models;
Satin Nickel finish.
- INT A: 2 power receptacles and a cutout for 1 telecom plate, 3rd electrical outlet on underside.
- INT B: 2 power receptacles, 3rd electrical outlet on underside, HDMI F/F with 36" patch cord attached, Mini Stereo Inline, 15 Pin HD VGA F/F.
- INT C: 2 power receptacles, 3rd electrical outlet on underside, HDMI F/F with 36" patch cord attached.



Code	\$	Description
INT A	721	
INT B	1137	
INT C	932	

With electric plug



Code	\$	Description
INT A HW	555	
INT B HW	1137	
INT C HW	931	

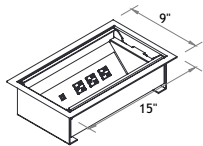
Hardware: to be connected to an electrical box by an electrician.

Accessories

Electrical Accessories

OAS

Oasis



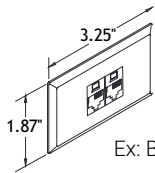
- OAS A: 6 power receptacles, 2 USB (chargers), cutout for 1 Telecom plate;
- OAS B: 6 power receptacles, 2 USB (chargers), HDMI F/F with 36" patch cord attached, Mini Stereo Inline, 15 Pin HD VGA F/F with 72" patch cord attached;
- OAS C: 6 power receptacles, 2 USB (chargers), HDMI F/F with 36" patch cord attached;
- 108" power cable with electric plug;
- Satin Nickel finish.



Code	\$	Description
OASA	2619	
OASB	3035	
OASC	2830	

TEL

Telecom Plate



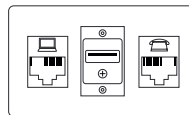
Ex: BE-TELB

- Grey telecom plate.

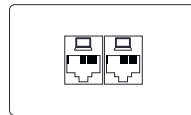
Code	\$	Description
TELA	23	Blank plate
TELB	226	CAT6 data / USB / CAT3 phone
TELC	194	(2) CAT6 data
TELD	365	(4) CAT6 data



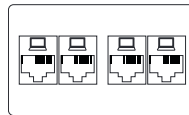
TELA



TELB



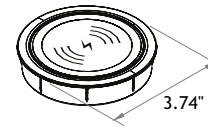
TELC



TELD

QIBL

Wireless Charger



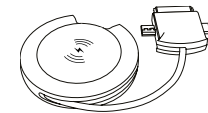
- Air charger wireless;
- Qi compatible device;
- 72" power cable with electric plug;
- Finish: Black.



Code	\$	Description
QIBL	624	

QIRE

Qi Adapter

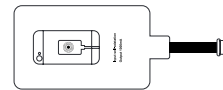


- Receiver to adapt devices not Qi compatible.
- Built-in connections for Apple 30 pin and lightning, Micro-USB.

Code	\$	Description
QIRE	171	

QIIP

Transmitter for iPhone

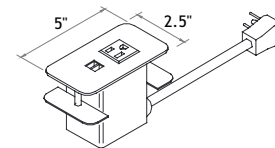


- Receiver for phones without Qi technology;
- For wireless charge devices;
- Adapter for Apple lightning port.

Code	\$	Description
QIIP	112	

COV1

Cove Unit



NOT AVAILABLE

- 108" power cable with electric plug;
- Satin nickel finish.



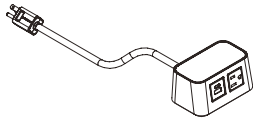
Code	\$	Description
COV1	581	1 power, 2 USB (chargers)

Accessories

Electrical Accessories

BR1

Branch unit

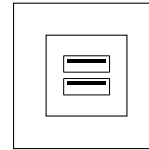


- 1 power outlet / 1 dual charger USB-a+c;
- Table top with braided storm 120 IN power cord.

Code	S	Description
BR1BL	522	Black
BR1WH	522	White

SQU

USB port

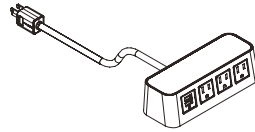


- 1 USB (data/passive);
- USB M/F cable - 72";
- Finish: Black, Dusk, Navy, Storm.

Code	S	Description
SQU-72-C	222	Black
SQU-72-JM	222	Dusk
SQU-72-JL	222	Navy
SQU-72-JK	222	Storm

BR2

Branch unit

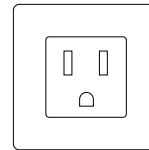


- 3 power outlet / 1 dual charger USB-a;
- Table top with braided storm 120 IN power cord.

Code	S	Description
BR2BL	671	Black
BR2WH	671	White

SQE

Electric plug



- Electric plug;
- Cable - 120";
- Finish: Black, Dusk, Navy, Storm.

Code	S	Description
SQE-120-C	135	Black
SQE-120-JM	135	Dusk
SQE-120-JL	135	Navy
SQE-120-JK	135	Storm

DSG

Double-sided grommet



- Double-sided grommet
- Hole diameter: 2.5"
 - Use for electrical cable management with division panels. Drilling to be done by the installer.
 - Grommet to cut on site for desired thickness to cover;
 - Can not be cut with a simple utility knife, use a sharper and safer tool.

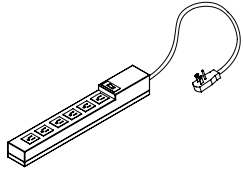
Code	S	Description
DSG BL	29	Black
DSG WH	29	White

Accessories

Electrical Accessories

PBL

Power bar



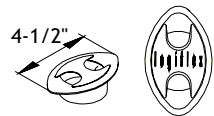
- Power bar with 6 electric outlets;
- 120" power cable with electric plug.



Code	\$	Description
PBL	65	

ELPF

Black Plastic Grommet

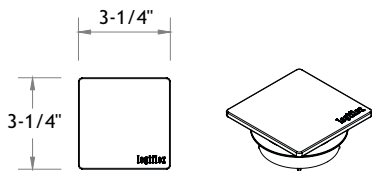


- Standard black plastic grommet with the Logiflex logo engraved;
- 2-1/2" diameter cutout.

Code	\$	Description
ELPF	6	Unit price

C_PF

Grommet



- Square metal grommet with the Logiflex logo engraved;
- Finish: Satin Nickel, Black and Chrome;
- 2-1/2" diameter cutout.

Code	\$	Description
CAPF	26	Unit price - Satin Nickel
CBPF	26	Unit price - Black
CCPF	26	Unit price - Chrome
CDPF	26	Unit price - White

WM

Velcro Tie

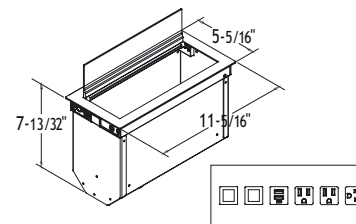


- Velcro tie for electrical cable;
- The non-metallic buckle is safe to use around electrical devices;
- Dimensions: 3/4" x 10";
- Color: black.

Code	\$	Description
WM	13	Unit price
WMS	14	with #8, 9/16" Robertson screw, per unit

EL1

Retractable Connectivity unit



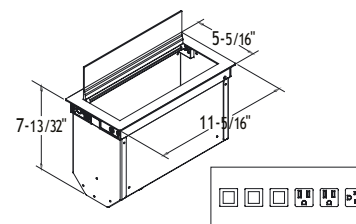
- Retractable connectivity unit with 3 electrical outlets, 1 USB (charger) and 2 empty telecommunication outlets (outlets not included);
- 72" or 120" power cable with electric plug;
- Finish: Satin Nickel.



Code	\$	Description
EL1-72 SN	832	Satin Nickel, 72" power cable
EL1-120 SN	851	Satin Nickel, 120" power cable

EL2

Retractable Connectivity unit



- Retractable connectivity unit with 3 electrical outlets and 3 empty telecommunication outlets (outlets not included);
- 72" or 120" power cable with electric plug;
- Finish: Satin Nickel.



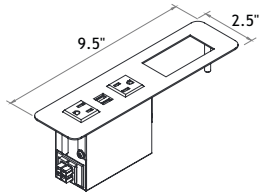
Code	\$	Description
EL2-72 SN	679	Satin Nickel, 72" power cable
EL2-120 SN	698	Satin Nickel, 120" power cable

Accessories

Electrical Accessories

COV2U41D

DaisyLink Cove Unit



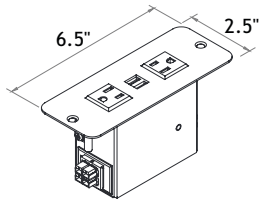
- Cove unit with 2 power and 2 USB (chargers);
- 1 telecom plate cutout (outlets not included, see Telecom Plates "TEL");
- 1 circuit power block (Maximum of 9 power blocks can be joined together);
- Finishes: Black, White and Satin nickel;
- M/M.

Code	\$	Description
COV2U41D BL	581	
COV2U41D WH	581	
COV2U41D SN	581	

To be used with DaisyLink cables.

COV2U41

DaisyLink Cove Unit



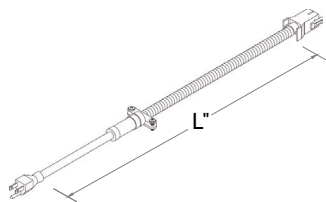
- Cove unit with 2 power and 2 USB (chargers);
- 1 circuit power block (Maximum of 9 power blocks can be joined together);
- Finishes: Black, White and Satin nickel;
- M/M.

Code	\$	Description
COV2U41BL	581	
COV2U41WH	581	
COV2U41SN	581	

To be used with DaisyLink cables.

42AP

DaisyLink Starter Cable with Plug

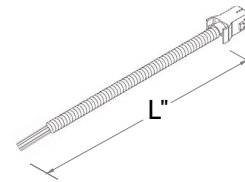


- 72" starter cable with electric plug at one end;
- Female.

Code	\$	Description
42 AP1 72	277	4 wire, 1 circuit - 72"

42SB2

DaisyLink Starter Cable with Hardwire



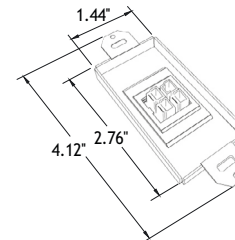
- Starter cable with hardwire at one end;
- Female.

Code	\$	Description
42SB2 72	191	4 wire, 2 circuit - 72"
42SB2 84	208	4 wire, 2 circuit - 84"
42SB2 96	232	4 wire, 2 circuit - 96"
42SB2 108	250	4 wire, 2 circuit - 108"
42SB2 120	271	4 wire, 2 circuit - 120"

To be connected to an electrical box by an electrician.

42QDINSERT

DaisyLink Power Outlet



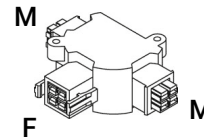
- Electrical plug for floor boxes and wall outlet applications;
- Male.

Code	\$	Description
42QDINSERT	135	4 wire, 1 circuit - 72"

To be connected to an electrical box by an electrician.

DAISYT

DaisyLink Power Manager



- Power manager for redirecting cables for multiple power lines;
- M/M/F.

Code	\$	Description
DAISYT	205	

Accessories

Electrical Accessories

42FF

DaisyLink Junction Cable



- Female/ Female interconnecting cables;
- Minimum 12" - maximum 180".

Code	S	Description
42 FF 12	122	4 wire, 2 circuit jumper cable 12"L
42 FF 18	130	4 wire, 2 circuit jumper cable 18"L
42 FF 24	138	4 wire, 2 circuit jumper cable 24"L
42 FF 30	142	4 wire, 2 circuit jumper cable 30"L
42 FF 36	150	4 wire, 2 circuit jumper cable 36"L
42 FF 42	160	4 wire, 2 circuit jumper cable 42"L
42 FF 48	170	4 wire, 2 circuit jumper cable 48"L
42 FF 54	177	4 wire, 2 circuit jumper cable 54"L
42 FF 60	192	4 wire, 2 circuit jumper cable 60"L
42 FF 66	200	4 wire, 2 circuit jumper cable 66"L
42 FF 72	210	4 wire, 2 circuit jumper cable 72"L
42 FF 78	222	4 wire, 2 circuit jumper cable 78"L
42 FF 84	233	4 wire, 2 circuit jumper cable 84"L
42 FF 96	251	4 wire, 2 circuit jumper cable 96"L
42 FF 108	272	4 wire, 2 circuit jumper cable 108"L
42 FF 120	293	4 wire, 2 circuit jumper cable 120"L
42 FF 132	314	4 wire, 2 circuit jumper cable 132"L
42 FF 144	331	4 wire, 2 circuit jumper cable 144"L
42 FF 156	336	4 wire, 2 circuit jumper cable 156"L
42 FF 168	370	4 wire, 2 circuit jumper cable 168"L
42 FF 180	390	4 wire, 2 circuit jumper cable 180"L

42FM

DaisyLink Junction Cable



- Female/ Male interconnecting cables;
- Minimum 12" - maximum 180".

Code	S	Description
42 FM 12	122	4 wire, 2 circuit jumper cable 12"L
42 FM 18	130	4 wire, 2 circuit jumper cable 18"L
42 FM 24	138	4 wire, 2 circuit jumper cable 24"L
42 FM 30	142	4 wire, 2 circuit jumper cable 30"L
42 FM 36	150	4 wire, 2 circuit jumper cable 36"L
42 FM 42	160	4 wire, 2 circuit jumper cable 42"L
42 FM 48	170	4 wire, 2 circuit jumper cable 48"L
42 FM 54	177	4 wire, 2 circuit jumper cable 54"L
42 FM 60	192	4 wire, 2 circuit jumper cable 60"L
42 FM 66	200	4 wire, 2 circuit jumper cable 66"L
42 FM 72	210	4 wire, 2 circuit jumper cable 72"L
42 FM 78	222	4 wire, 2 circuit jumper cable 78"L
42 FM 84	233	4 wire, 2 circuit jumper cable 84"L
42 FM 96	251	4 wire, 2 circuit jumper cable 96"L
42 FM 108	272	4 wire, 2 circuit jumper cable 108"L
42 FM 120	293	4 wire, 2 circuit jumper cable 120"L
42 FM 132	314	4 wire, 2 circuit jumper cable 132"L
42 FM 144	331	4 wire, 2 circuit jumper cable 144"L
42 FM 156	336	4 wire, 2 circuit jumper cable 156"L
42 FM 168	370	4 wire, 2 circuit jumper cable 168"L
42 FM 180	390	4 wire, 2 circuit jumper cable 180"L

As our product line is constantly evolving and expanding, we recommend that you visit logiflex.ca for updates.

logiflex

1235 St-Roch N., Sherbrooke QC J1N 0H2 Canada
T : 1.877.864.9323 | F : 1.800.474.7830 | logiflex.ca

May 22, 2023 | USA

LOGIFLEX | CONFERENCE / COLLABORATION

