

RECEPTION

Price List
USA 2023



logiflex

Table of Contents

Introduction	3	Work Desks	67
Update Summary	4	Lateral Tables	68
Product Map	5	Returns	69
Our social responsibility	7	Extended Corner Tables	70
Conditions of Sale	7		
Manufacturing Standards	8	Storage Furniture	72
How to Use the Price List	10	Installed Pedestals	73
Appendix A: Colors and Finishes	11	Mobile Pedestals	75
Appendix B: Surfaces and Molding Edges	12	Lateral File Cabinets	77
Appendix C: Pedestals and File Drawers	13	Multiple Units	78
Appendix D: Pricing for Additional Adjustable Shelves	13	Cabinets	79
Appendix E: Wood Grain	14	Pigeonhole Units	81
Appendix F: Monochrom - Manufacturing Standards	15		
Appendix G: Calculation/Use of Electrical Components	18	Accessories	84
		Handles	85
Reception Counters and Desks	21	Lighting	86
M-Brace	22	Keyboard Trays	87
Monochrom	26	CPU Holders	88
Inbox	31	Miscellaneous Accessories	89
Pedestals for Inbox Collection	36	Electrical Accessories	90
Reception 3K	39		
Gallery	42		
Spheric	45		
Manhattan	59		
Reception C	60		

Introduction

MAKE A STATEMENT

A client's first impression when they visit your company may affirm their decision to choose your product or service.

This makes it important to personalize your reception desk to make it distinctly you. From minimalist geometry to curves and curls, Logiflex's reception units will highlight the individuality of your company, projecting a modern esthetic without sacrificing functionality.

Update Summary

The Reception price list presents these principal modifications:

DATE	SECTION	MODIFICATIONS
July 4, 2023	Electrical accessories	<ul style="list-style-type: none"> Chicago Code : Certain electrical components are now marked prohibited or restricted for orders in Chicago. (USA pricelist only).

Previous updates:

DATE	SECTION	MODIFICATIONS
May 22, 2023	Reception Desks	<ul style="list-style-type: none"> M-Brace : addition of 1" laminate. Prices adjustment for Monochrom reception MON, MONL and MONR.
February 1, 2023	All the Price List	<ul style="list-style-type: none"> All prices have been increased by approximately 5%. Removal of products: New certification Indoor Advantage Gold (replace Greenguard). Removal of the pedestal option for TL.
December 1, 2022	Electrical accessories	<ul style="list-style-type: none"> Adjustment of the names and images of certain items.
July 1, 2022	All the Price List	<ul style="list-style-type: none"> All prices have been increased by approximately 5%. Replacement of the 1 circuit and 4 circuits electrical system.
	Accessories	<ul style="list-style-type: none"> Removal of the TCPM2
	Appendix A	<ul style="list-style-type: none"> Color availability chart update for the HPL.

Introduction

Product Map

Reception Counters

M-Brace p. 22

Monochrom p. 26

Reception Desks

Inbox p. 31

Reception 3K p. 39

Gallery p. 42

Spheric p. 45

Manhattan p. 59

Reception C p. 60

Introduction

Product Map

Work Desks

Lateral Tables p. 68



Returns p. 69



Extended Corner Tables p. 70



Storage Furniture

Installed Pedestals p. 73



Storage Furniture (continued)

Mobile Pedestals p. 75



Lateral File Cabinets p. 77



Multiple Units p. 78

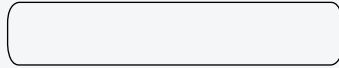


Cabinets p. 79



Pigeonhole Units p. 81





Our social responsibility

At Logiflex, we have chosen to be a responsible North American manufacturer by implementing initiatives for sustainable development. As much as possible, we source local materials and partner with suppliers who prioritize clean manufacturing processes. We also consolidate goods during transport to reduce our fuel consumption and we continually make changes that help reduce our waste production.

The company is ISO 9001 certified.

You can consult our eco-responsible approach as well as all our certifications in the [Certifications](#) section of our website. Find out how our products can help you obtain LEED credits and the Logiflex products that are Indoor Advantage Gold certified.

Conditions of Sale

Prices

The amounts listed in this document are suggested retail prices and may be changed without notice. Applicable taxes are not included. If you have an open and active account with Logiflex, merchandise will be invoiced at the prices prevailing at the time of shipment. A deposit may be requested if the opening of your account has not been completed or if your account has become inactive.

Terms of Payment

Net 30 days F.O.B. Sherbrooke, Quebec. The invoice will be assigned the shipping date and is payable 30 days from that date. Logiflex remains the owner of the merchandise until the invoice is paid in full.

Customized Products (Special Items)

Price requests for customized products or special items can be submitted via the ["Private Space"](#) section of our website, at www.logiflex.ca. Our quotations department will study your request and send you a quotation and a technical drawing for approval as soon as possible. Modifications to quotations or technical drawings can be requested the same way. The approved quotation(s) and technical drawing(s) can then be attached to your purchase order.

Orders

An official purchase order must be issued for all purchases. Your purchase order must contain the following information:

- Your company letterhead
- Your reference number
- The delivery address (with contact name, email and phone number)
- The complete product codes
- Furniture colour(s)
- Quantities
- Descriptions
- Retail prices and net prices
- Project registration number (if applicable), and your approved quotation and technical drawing (for special items).

Please note that a quotation cannot serve as a purchase order.

Returns

All returns must first be approved by Logiflex. If the return is accepted, a Logiflex customer service representative will send you an official return authorization form in order to facilitate procedures between you, the carrier, and the Logiflex merchandise reception clerk. Additional costs for shipping or other expenses may be applied following any merchandise returns.

Modifications and/or Cancellations

You have 48 hours from the time we acknowledge receipt of your order to make any requests for corrections or modifications. You may cancel your order during this same 48-hour period. If you would like to modify or cancel your order after this 48-hour verification period, please check with a Logiflex customer service representative. Orders cannot be changed or cancelled if production has already begun or if Logiflex has already received the raw materials.

Liability

Logiflex's liability ends once the carrier has delivered all items in good condition. A delivery receipt signed by the customer acknowledges that the shipment is complete and has been received in good condition.

Claims

Logiflex recommends inspecting the shipment before signing the carrier's delivery receipt. You must notify Logiflex of any incomplete shipments or damaged furniture within 30 days after delivery. Requests to replace damaged products can be made via the ["Private Space"](#) section of our website, at www.logiflex.ca. Our after-sales service department will examine your request and help you correct the situation.

Changes

Logiflex reserves the right to make changes to the materials, accessories, components, specifications and designs, and to discontinue collections and/or models, at any time and without prior notice.

Storage and/or Shipping Fees

According to the terms Logiflex set forth in the transport policy. The transport policy can be consulted online in the [Private Space](#).

Items Delivered Disassembled

Some items are delivered disassembled, such as empty desks, empty returns, bridges, arched tables, D, P or Q tables, lateral tables, end tables, hook tables, corner tables and extended-corner tables.

Warranty

Logiflex guarantees to the original purchaser that Logiflex products are free from defects in design, materials and workmanship for the product's lifetime, with certain exceptions.

You may consult the full warranty on the website: [Logiflex Warranty](#)

Introduction

Manufacturing Standards

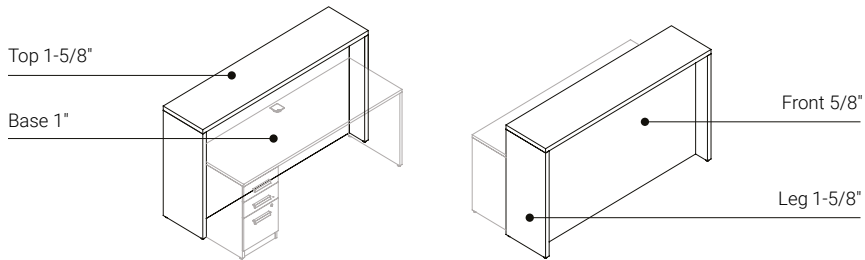
Product Dimensions

For display purposes, the furniture dimensions represented in the price tables on each product page are rounded to the nearest whole number.

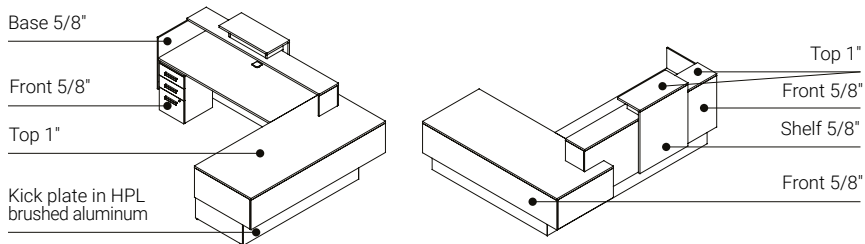
Tops, Bases, Fronts and Shelves

Each collection offers different thicknesses for tops, faces, fronts and shelves. Please consult the illustrations below.

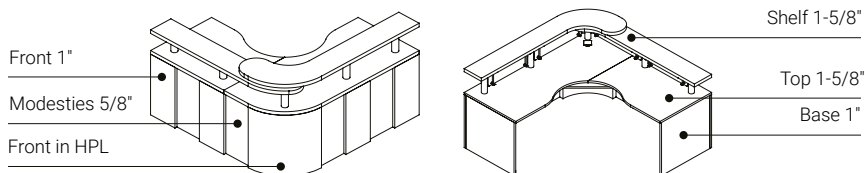
M-Brace



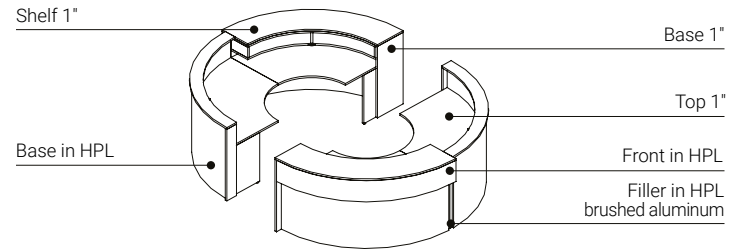
Inbox



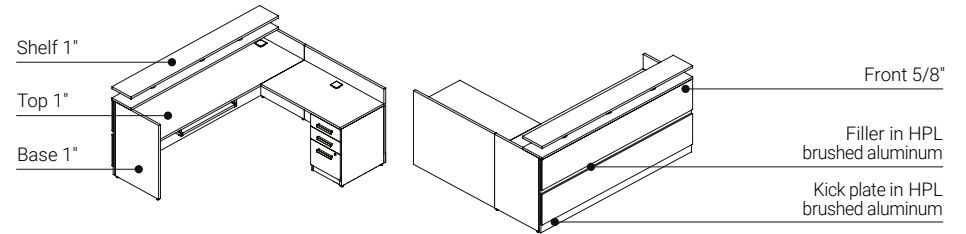
Manhattan



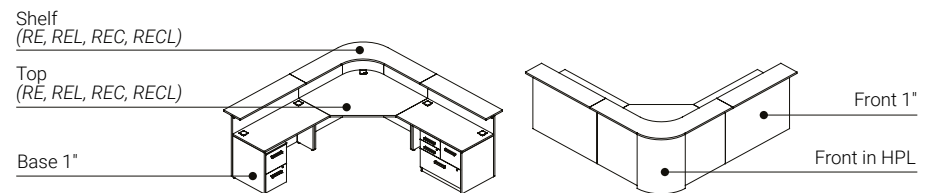
Spheric



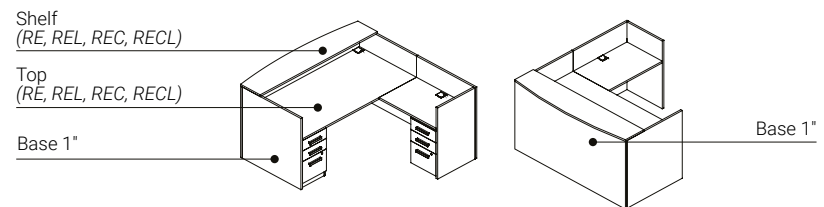
Reception 3K



Reception C



Gallery





Manufacturing Standards (continued)

Handles

Handles are included with all storage furniture. Refer to each collection's pages for the standard handle used. Glass doors include built-in handles into the aluminum frame. Please refer to the Logiflex accessories selection at the end of this price list on [p. 85](#).

Grommets

Grommets are included on all work desks, refer to each collection's pages for the standard grommet finish used.

Locks

Locks are included with all storage furniture, except for those with aluminum doors. The standard is LKSN, satin nickel finish. Please refer to the Logiflex accessories selection at the end of this price list on [p. 89](#).

Pedestals

All drawers are made of black Medium density fiberboard (MDF) with an average thickness of 7/16".

Drawer Fronts

A PVC strip 1.5 mm thick is systematically applied along all drawer front edges.

Finishes

You must specify the desired finish(es) for each item of furniture ordered. Please make your selection(s) from the Logiflex [Colors & Finishes Guide](#).

Levelers

All furniture items sit on 1" in diameter, white nylon levelers, allowing for up to 1" height adjustment.

Colors

Colors have to be specified for all furniture items ordered. Consult the "How to Order" section on the product page for further details about the procedure. Consult the Logiflex [Colors & Finishes Guide](#) for the colors and finishes offered. Unless indicated otherwise in the order, the PVC edge will match the color and finish specified.

Introduction

How to Use the Price List

Interactive Menu

- Product line: Reception Desks
- Product group: M-Brace, Spheric, Gallery
- Product name: Left L-Shaped Counter
- Product code: INBL L

Product image

3D rendering of the L-shaped counter with dimensions: 12" height, 41" depth, 30" width, 18" depth. Dimensions A and B are indicated.

Product Information

Combination of Colors: Top, Base, Front, Shelf (Std or HG colors)

Manufacturing Standards

- 1" tops;
- Metallic high pressure laminate kick plate;
- 2 CAPF grommets on the main work surface.

Additional Product Information and Notes

LED option: Cool white LED tape lighting the kick plate, with 4-step touch dimmer installed under the desk.

Options

- Grommet Position: L, R, LR
- Grommet Style: ELPF (SO), CAPF/CCPF (SS)
- LED Option: DEL (SS)

Navigation Buttons (when blue)

- Previous View
- Previous Page
- Next Page
- Product Map
- Table of Contents

Prices

Dimensions		Std	Hg
A	B		
72	82	****	****
72	88	****	****
72	94	****	****
72	100	****	****
78	82	****	****
78	88	****	****
78	94	****	****
78	100	****	****
84	82	****	****
84	88	****	****
84	94	****	****
84	100	****	****

How to Order

Options: NGR, GRL, GRR, GLR (std), ELPF, CAPF, CCPF (std), LED

Combination of Colors: See the Logiflex Color Chart (p. 24)

series	dimensions	product	direction	grommet position	grommet style	LED	top	base	front	shelf
RE	84100	INBL	L	GLR	CCPF		LL	W	W	W

Ordering instructions

- Standard Product Code**: Details as per the price listed
- Options, if desired (\$)**: Always after the product code
- Combination of Colors**

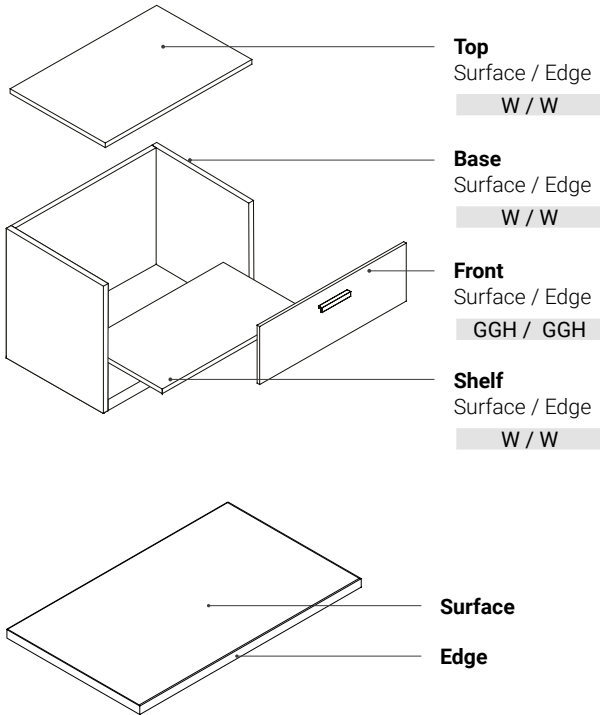
Blue text hyperlink: See the Logiflex Color Chart (p. 24)

Introduction



Appendix A: Colors and Finishes

How to specify your laminate colors



Glass and Acrylic

- V4** White Glass
- V5** White Satin
- KB** Jet Black Glass
- KS** Black Satin Glass
- KE** Ocean Blue Glass
- KO** Overseas Blue Glass
- KR** Bright Red Glass
- KM** Metallic Gray Glass
- KA** Satin Silver Glass
- KG** Satin Gold Glass
- VS** Frosted Glass
- PL** Frosted Acrylic

Availability Chart

FINI FINISH	CODE	COLOR COULEUR	THICKNESS ÉPAISSEUR			HPL STRATIFIÉ	PANVAL CODE
			5/8"	1"	1-5/8"		
OMNIA	DOO	Dosha	•	•		•	K77
	COO	Cosmos	•	•		•	K78
AURA	GIA	Ginger Root Gingembre	•	•		•	H72
	HAA	Haze Brume	•	•	•	•	H57
	OHA	Ohm	•	•	•	•	K69
	STA	Storm Tempête	•	•	•	•	H58
	TUA	Tundra	•	•		•	H75
LYRA	ASY	Asha	•	•		•	K47
	CIY	Chiffon Mousseline **	•	•	•	•	K60
	KAY	Kali	•	•		•	K46
SUPERMAT	IGS	Ingot grey Gris lingot	•	•			828
	WGS	Willow grey Gris saule	•	•			802
DOLOMITE	AU	Audacity Audace **	•	•	•	•	241
	B	Jet Black Noir intense *	•	•		•	888 S405-CA
	BC	Brown cherry Cerisier brun	•	•	•	•	207
	C	Slate Ardoise *	•	•		•	801
	DR	Driftwood Bois de rive	•	•		•	744
	G	Mink Grey Gris vison	•	•		•	805 OU-927
	NM	Natural Maple Érable naturel	•	•	•	•	206
	PO	Porto	•	•		•	913 OU-648
	SW	Smoked Walnut Noyer fumé	•	•	•	•	G21
	TO	Tobacco	•	•		•	205
	W	Polar White Blanc polaire	•	•	•	•	555 459-CA
WK	Whisky	•	•	•	•	245	
HIGH GLOSS SUPER LUSTRE	W-H	Polar White - fronts Blanc polaire - façades	•				

* Non recommended color for work surfaces.

** For conference tables with 2 or more parts, we do not recommend the use of colors with irregular and contrasted woodgrain like Chiffon, Audacity or Coastal Pear as it results in a pronounced wood grain mismatch.



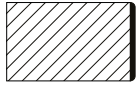
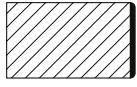
Colors may vary from 2% to 5% between tfl and hpl laminates due to different technical applications.

See our complete [Colors & Finishes Guide](#)

New



Appendix B: Surfaces and Molding Edges

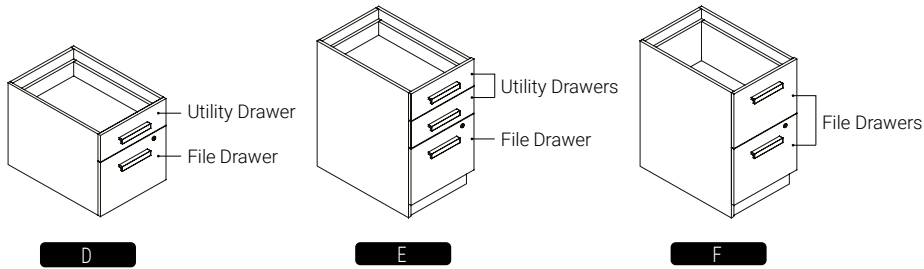
SERIES	PREVIEW	COMPONENT	MATERIAL	EDGES / MOLDING
RE		1" surfaces	Thermofused laminate (TFL) - 1" high-density particle board.	1.5 mm polyvinyl chloride (PVC)
REL		1-1/16" surfaces	High pressure laminate (HPL) - 1" high-density particle board, 1/32" HPL sheet on surface, 1/32" balancing sheet under surface (prevents bending).	1.5 mm polyvinyl chloride (PVC)
REC		1-5/8" surfaces	Thermofused laminate (TFL) - 1-5/8" high-density particle board.	1.5 mm polyvinyl chloride (PVC)
RECL		1-9/16" surface	High pressure laminate (HPL) - 1-1/2" high-density particle board, 1/32" HPL sheet on surface, 1/32" balancing sheet under surface (prevents bending).	1.5 mm polyvinyl chloride (PVC)

Introduction

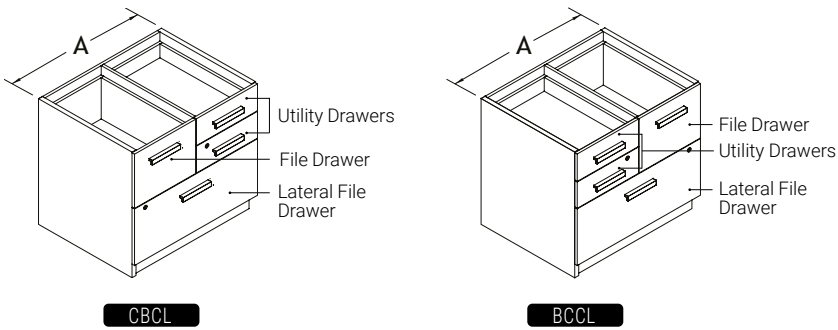


Appendix C: Pedestals and File Drawers

D, E and F Pedestals

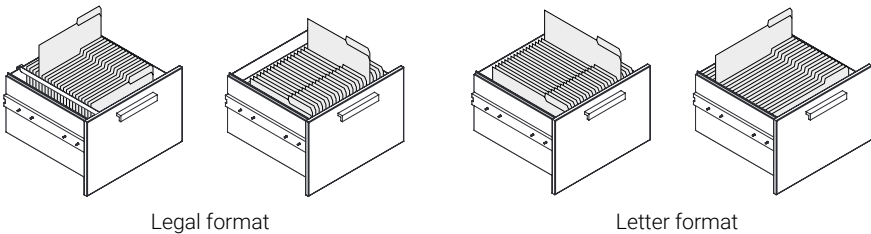


Combination Pedestals



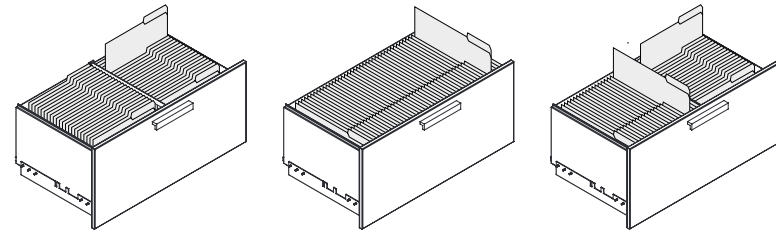
File Drawers

File drawers can receive either legal or letter formats. Please refer to the illustration below.



Lateral File Drawers

Lateral file drawers can receive either legal or letter formats. Please refer to the illustration below.



Legal and Letter formats

Appendix D: Pricing for Additional Adjustable Shelves

To find out the price for additional adjustable shelves, trace down the vertical column "A" the shelf depth to its intersection with columns "B" the shelf length.

\$	B									
	12"	15"	18"	20"	24"	30"	36"	42"	48"	
A	12"	22	26	34	36	42	51	63	72	83
	15"	26	35	40	43	51	65	78	90	105
	16"	27	36	42	45	56	70	83	97	111
	20"	36	43	51	58	70	86	105	122	137
	24"	42	51	63	70	83	105	125	144	167
	30"	51	65	78	86	105	129			

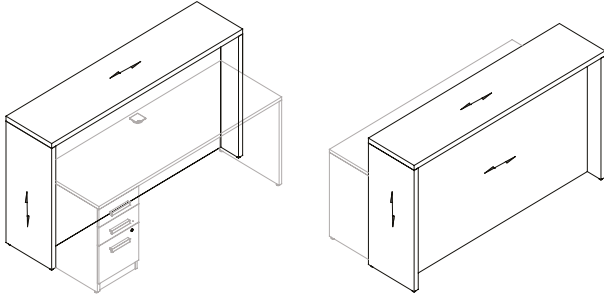
Introduction



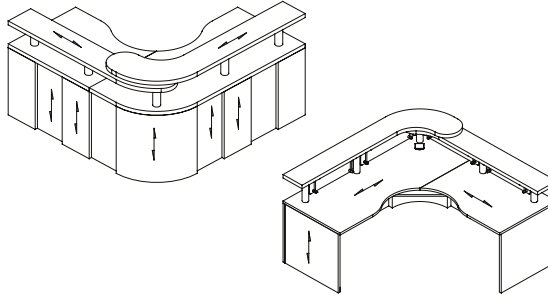
Appendix E: Wood Grain

Each collection offers different wood grain direction. Please consult the illustrations below.

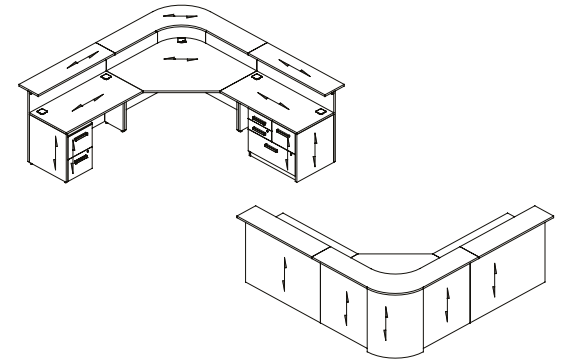
M-Brace



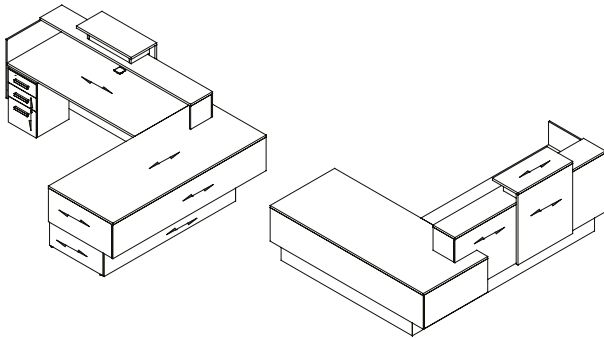
Manhattan



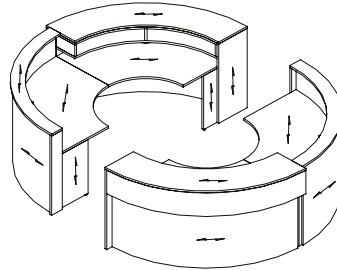
Reception C



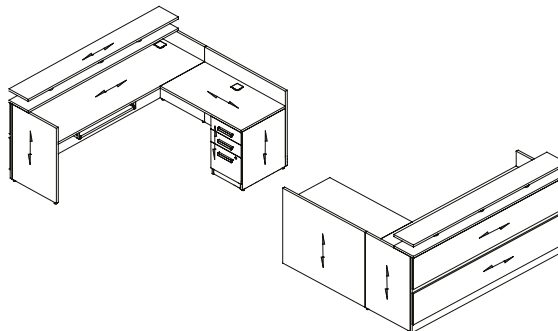
Inbox



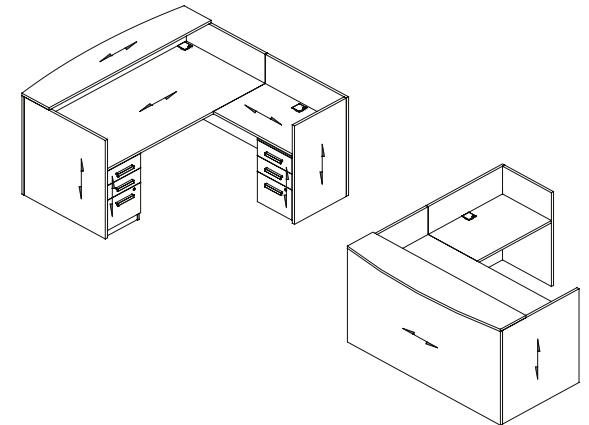
Sphéric



Reception 3K



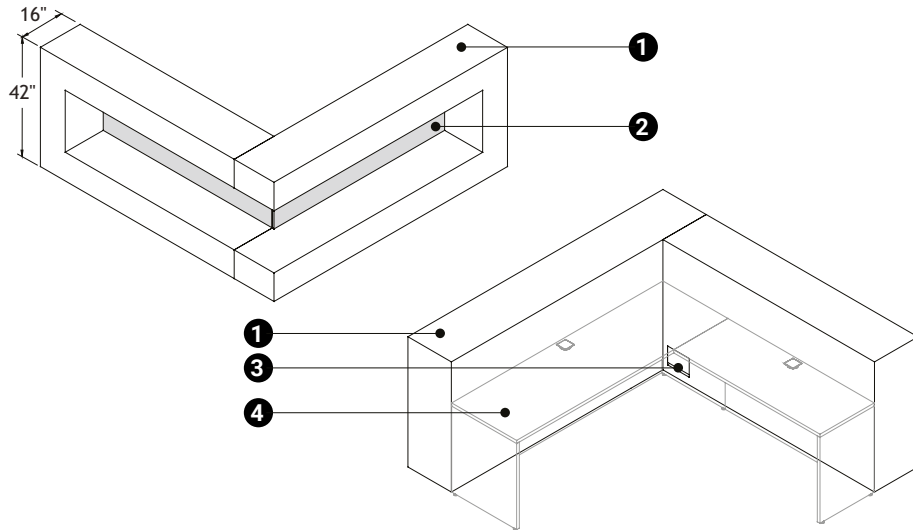
Gallery



Introduction

Appendix F: Monochrom - Manufacturing Standards

Monochrom Reception Counter Components



- 1 Frame** with Monochrom high pressure laminate applied after assembly for a clean and precise look without visible edges. 5/8" panel construction, on white levelers.
- 2 Front** high pressure laminate recessed 15-5/8".
- 3 Back** includes assembly access panel.
- 4 Work desk and storage furniture** sold separately and are independent. The Monochrom reception desks can be combined with all Logiflex collections.

Information about Monochrom HPL

The Monochrom finish offers an ultra matte surface, low light reflectivity, anti-fingerprint finish and a soft-touch surface. This product can be easily cleaned and requires no special maintenance plan. In addition, the Monochrom finish is antibacterial and resists wear, abrasion, acids, bases and solvents.

Properties of the Monochrom finish :

- Matte finish, ultra-soft to the touch;
- Anti-fingerprints;
- Through-color core;
- Scratch resistant;
- Antibacterial.

For more information on the Monochrom finish, refer to the Material Data Sheet.

Application of Colors

We recommend you rely on actual samples to make your color combinations.

Frame

The Monochrom reception frame is covered only with Monochrom high pressure laminate, available in two colors:



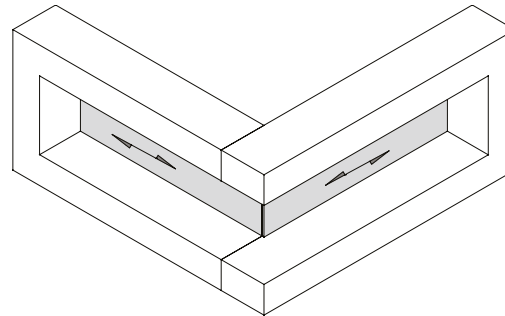
CBM Carbon



CKM Chalk

Recessed Front

All colors available in HPL can be used for the recessed front. The direction of the wood grain is horizontal. [See Appendix A.](#)



Piazza Cement : exclusive to the Monochrom collection

The recessed front can also be finished in Piazza Cement (PIC), a new laminate color offered exclusively for the recessed front of the Monochrom reception..



PIC Piazza Cement

Introduction

Appendix F: Monochrom - Manufacturing Standards

Configurations

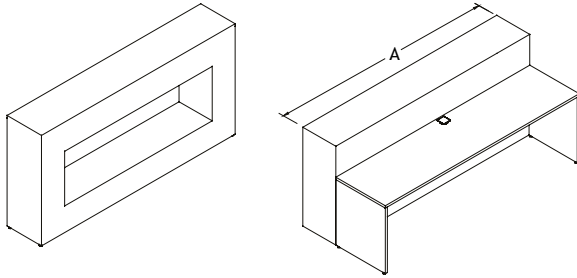
Multiple configurations are possible by combining one of three Monochrom reception counter models with different desks, returns and cabinets. It is important to consider the following in selecting the desk to combine with the reception counter.

MON - Linear Reception Counter:

This counter has been designed to achieve a linear configuration. Both sides of the work desk are visible.

- The width of the desk is the same as the width of the reception desk.
- There are no restrictions on the depth of the desk.

***Note:** For stability purposes it is recommended that this reception counter be attached to a desk.



MONL/MONR (40" and 46" deep) - "L" Shaped Reception Counter

This counter has been designed to achieve an overall linear configuration. The return of the counter can hide one of the sides of the desk.

- The width of the desk must be 16" less than the width of the counter (Dim. A).
- The depth of the desk must be 16" less than the counter depth (Dim. B)

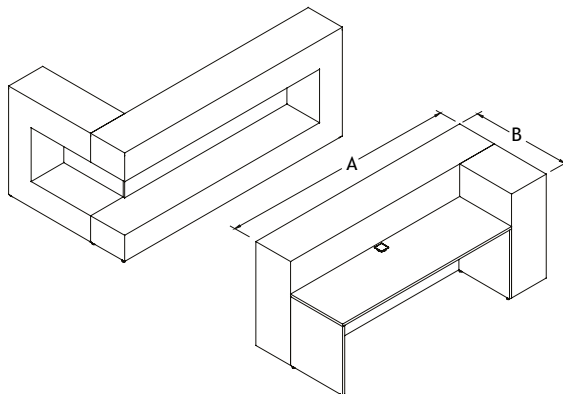
Ordering Information

Desk (width)

Counter Width (A)	Desk Width
76"	60"
82"	66"
88"	72"
94"	78"

Desk (depth)

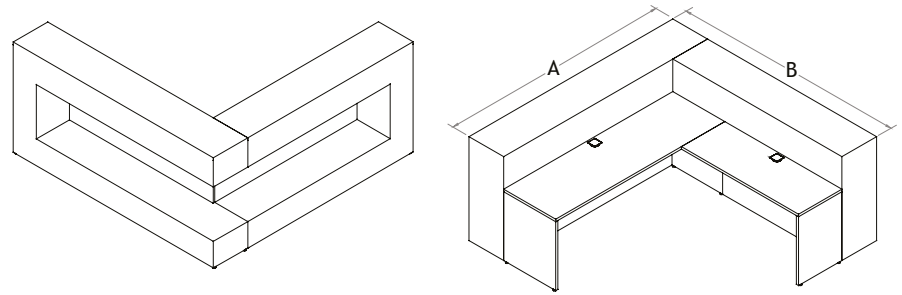
Counter Depth (B)	Desk Depth
40"	24"
46"	30"



MONL/MONR (70" deep and more) - "L" Shaped Reception Counter

This counter has been designed to achieve an L-shaped configuration. The return of the counter can hide one side of the desk and return.

- The width of the desk must be 16" less than the width of the counter (Dim. A).
- The width of the return will depend on the depth of the desk.
 - If the desk is 24" deep, the return must be 40" less than the counter depth (Dim. B)
 - If the desk is 30" deep, the return must be 46" less than the counter depth (Dim. B)



Ordering Information

Desk

Counter width (A)	Desk width
76"	60"
82"	66"
88"	72"
94"	78"

Return

24" deep desk		30" deep desk	
Return depth (B)	Return width	Return depth (B)	Return width
70"	30"	70"	-
76"	36"	76"	30"
82"	42"	82"	36"
88"	48"	88"	42"
94"	54"	94"	48"

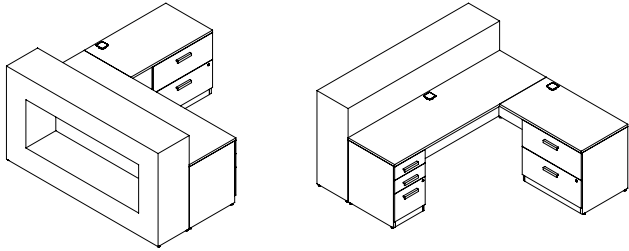
Introduction



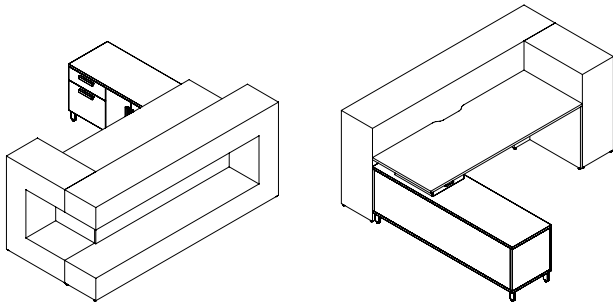
Appendix F: Monochrom - Manufacturing Standards

So Many Other Possible Configurations

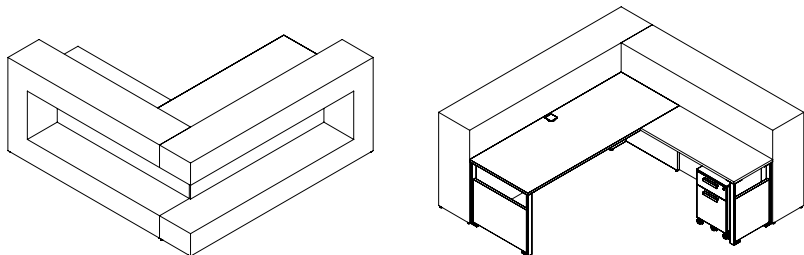
As the reception counter is independent to the desk, you can create different types of configurations. It is therefore important to consider the measurements mentioned on the previous page. Here are only a few ideas of the possibilities... let your imagination go!



Example 1:
MON linear reception counter, Manhattan desk with E pedestal, right return with 2 lateral filing drawers.



Example 2:
MONR "L" shaped reception counter, Level layering desk FM with drawer support and wire cutout, UN02SL high pedestal.



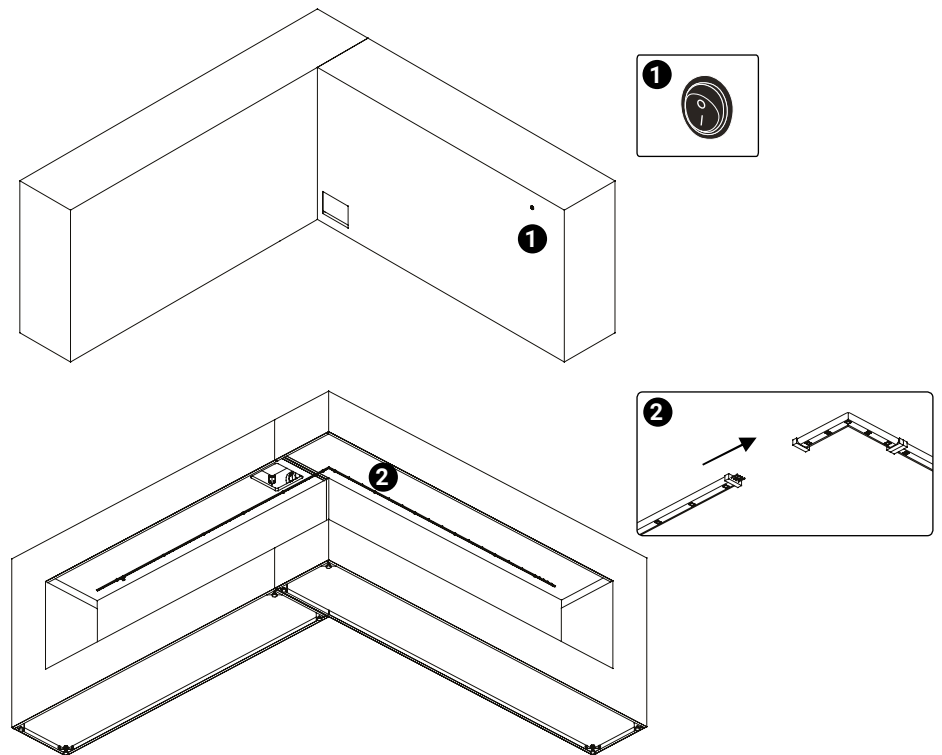
Example 3:
MONR "L" shaped reception counter, Level YM desk, RY return, MOBD mobile pedestal.

LED Option

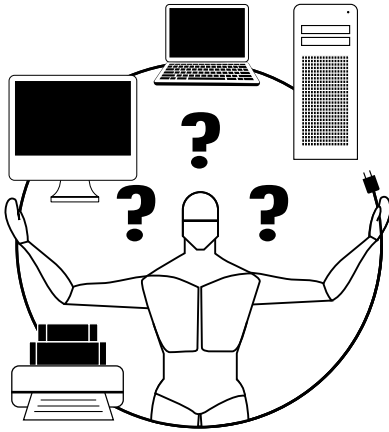
The LED option* consists of an LED strip installed below the counter surface, which illuminates the recessed façade. A black switch ① is on the back of the reception (see image opposite).

If the LED option has been ordered, the cabinet comes with LED strips already installed under the countertop. Just connect the strips together ② at the junction of the counters during assembly.

***Note:** The LED option must absolutely be ordered at the same time as the reception desk. Since it requires machining, it can not be added later.



Appendix G: Calculation/Use of Electrical Components



An Introduction to Calculation and Use of Electrical Components

Most people are uncomfortable with anything related to electricity. This step-by-step guide is intended for people who are not familiar with electrical installations but who have to specify what system they need when ordering furniture. In this guide, you will learn how to choose and specify the electrical components required for your projects. The list that follows illustrates and identifies each product and describes its applications.

The electrical components are all recognized by the Underwriters Laboratory (UL) as office furniture accessories and are manufactured according to Canadian Standards Association (CSA) and UL electrical standards.

Note: All electrical connections must be performed by a certified electrician.

By following these 3 simple steps, you can easily determine the number of circuits required to ensure safe use of your electrical system.

1. Determining the Number of Amperes Required
2. Calculating the Total Amperes
3. Determining How Many Circuits You Need

STEP 1: Determining the Number of Amperes Required

What is Amperage

An Ampere (Amp or A) is a unit for measuring the rate at which electric current flows. All electrical equipment has an amperage rate. By following these few simple steps, you can easily determine the number of circuits required to ensure safe use of your electrical equipment.

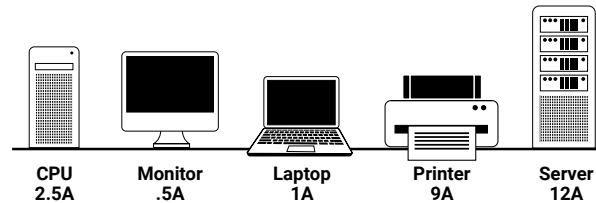
Determine the Number of Amperes Required

On your computer or other electric devices (ie: monitor, central processing unit, printer) find the plate that provides the technical specifications as follows:

Input: 120V - 1.8A.

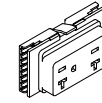
If you cannot locate this information on the machine, you will probably find it in the user manual.

Here are a few examples of how many Amps some equipment may consume. Please note that these are examples and the number of amperes may vary from one machine to another.



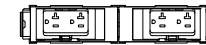
Electrical System Capacity

Our electrical system is designed for circuits of 20 amps each. This includes electrical components such as computers, printers, laptops, monitors, server or other devices.

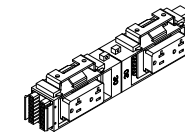


20A

A single Duplex has a maximum capacity of 20 A



Each power block can hold 2 Duplex



Each power block can hold 4 Duplex



If the duplexes are connected to the same circuit, the capacity is divided between them. For example, 3 duplexes connected to the same circuit have a total capacity of 20A.

Introduction

Appendix G: Calculation/Use of Electrical Components

STEP 2: Calculating the Total Amperes

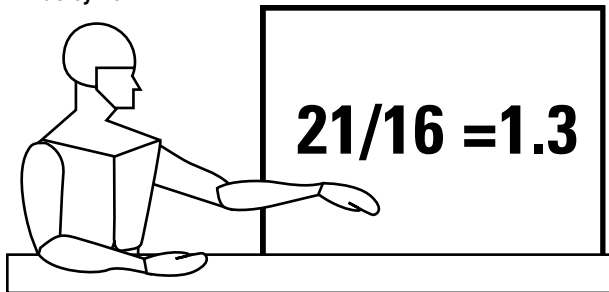
Add the Amperes

Add the number of amps for each machine. In our example, there are 4 CPUs at 2.5A per computer, 4 monitors at 0.5A and one printer at 9A.



The total number of amperes used in this example equals to 21A.

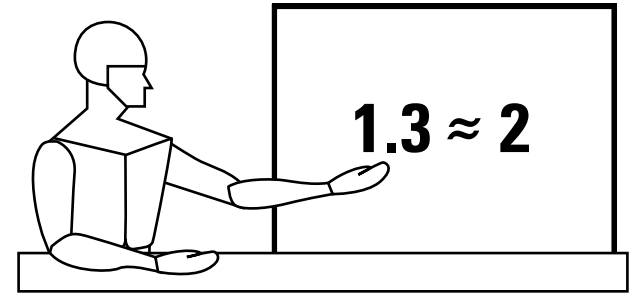
Divide by 16



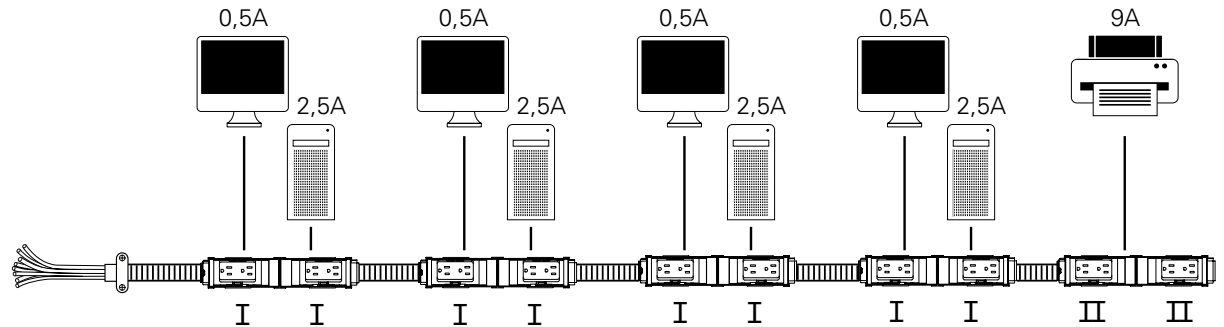
Most machines and computers used in offices or schools are used continuously for many hours at a time. In this type of situation, national electrical codes usually limit circuits at 80% of their capacity of continuous use. Our electrical system is designed for circuits of 20 amps each. So 80% of 20A is 16 Amps. You must therefore divide the total number of amperes calculated by 16.

STEP 3: Determining How Many Circuits You Need

In most cases, this number will contain decimals. Round up to the next whole number, and this will be the number of circuits required for your equipment to run safely. If the number obtained is higher than 4 (the maximum number of circuits for a system), you must reduce the total amperage or add another electrical system. Continuing with our example, the 1.3A is rounded up to 2A.



Here is one possible configuration. Using 5 power blocks joined together with junction cables, only 2 circuits are being used. The 4 workstations would be on the first circuit for a total of 16 amps. The printer would be on the second circuit.



 **CHICAGO CODE**

There is a specific norm about Chicago electrical components. Some of our products are approved, but not all of them.

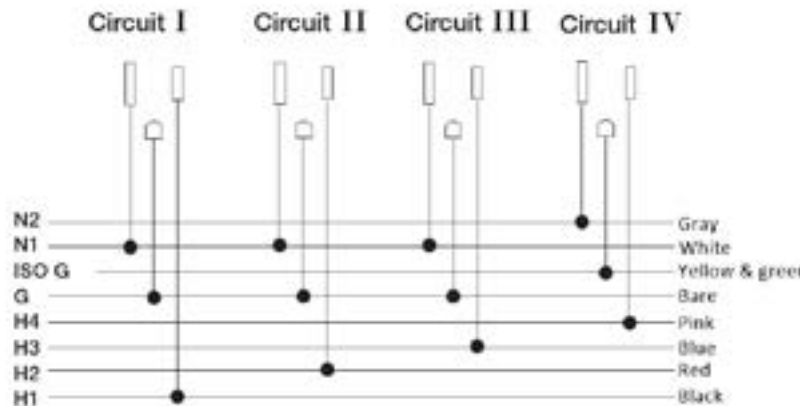
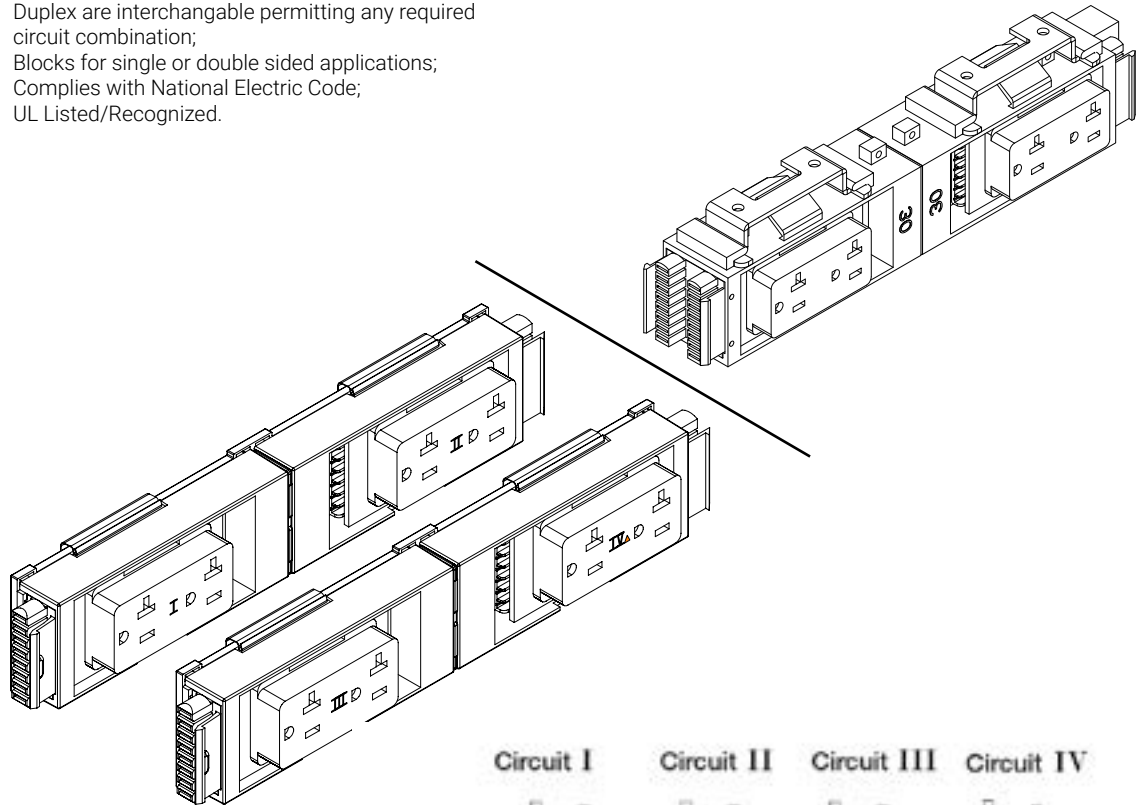
 If you see this logo in [Accessories](#), this means the product is **NOT** approved in Chicago. More info [here](#).



Appendix G: Calculation/Use of Electrical Components

8 Wire, 4 Circuit (3+1) Power Block

- Duplex are interchangeable permitting any required circuit combination;
- Blocks for single or double sided applications;
- Complies with National Electric Code;
- UL Listed/Recognized.



Starter Cable with Hardwire



- 4 circuit starter cable with hardwire at one end;
- 4 circuits rated for 20 AMP each;
- Available in lengths from 12" to 180";
- Whip end to be connected to building power by an electrician.

Starter Cable with Plug



- 1 circuit starter cable with 20A electrical plug;
- Circuit rated for 20 AMP;
- Available in lengths from 36" to 180".

Junction Cable

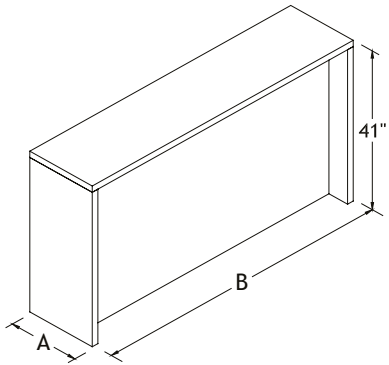


- 4 circuit cord;
- All circuits rated for 20 AMP;
- Available in lengths from 12" to 216".

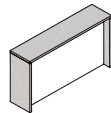
Reception Desks

M-Brace - Straight Reception Counter with Laminate Front

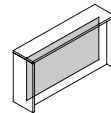
MS-M



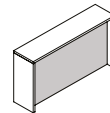
Combination of Colors



Top & Legs
Color available for the REC series in 1-5/8" only



Base
1" structure and panel on user side



Front
Choice of 5/8" Std or Hg color

Manufacturing Standards

- RE : 1" top and legs.
REC : 1-5/8" top and legs.
- 5-3/8" recessed laminate front (exterior);
- 6" recessed modesty panel (interior).

For specification reasons, the reception desk is 3/8" less than the dimension listed.

Interior width for work desk:

- 60" work desk fits with a 64" reception counter;
- 72" work desk fits with a 76" reception counter;
- 78" work desk fits with a 82" reception counter.

Prices

Dimensions						
A	B	C	RE	RE (HG)	REC	REC (HG)
18	64	41	1359	1512	1359	1512
18	76	41	1469	1634	1469	1634
18	82	41	1516	1794	1516	1794

How to Order

Combination of Colors

See the Logiflex Color Chart (p. 11)

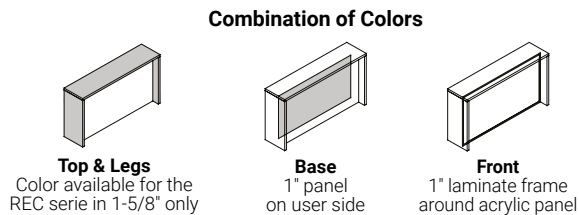
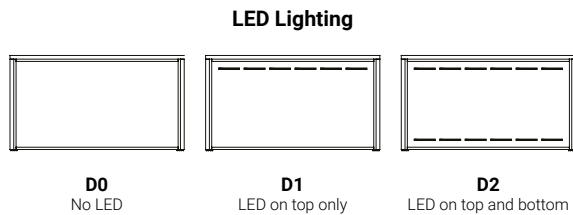
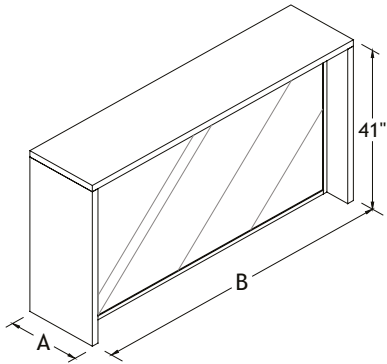
ABC					
REC		MS-M			
series	dimensions	product	top & legs	base	front
REC	188241	MS-M	SW	W	W-H

Example REC 188241 MS-M SW W W-H

Reception Desks

M-Brace - Straight Reception Counter with Acrylic Front Panel

MS-A



How to Order

REC	ABC	MS-A	D0 D1 D2	Combination of Colors <i>See the Logiflex Color Chart (p. 11)</i>		
series	dimensions	product	LED	top & legs	base	front
Example REC	188241	MS-A	D2	SW	W	SW

Manufacturing Standards

- RE : 1" top and legs.
REC : 1-5/8" top and legs.
- 6" recessed translucent white acrylic front with laminate frame (interior and exterior);
- Removable front for access to the lighting.

For specification reasons, the reception desk is 3/8" less than the dimension listed.

Interior width for work desk:

- 60" work desk fits with a 64" reception counter;
- 72" work desk fits with a 76" reception counter;
- 78" work desk fits with a 82" reception counter.

LED Option: LED backlighting with two 4-step tape dimmers fixed under the top on the user side on both left and right sides of the reception.

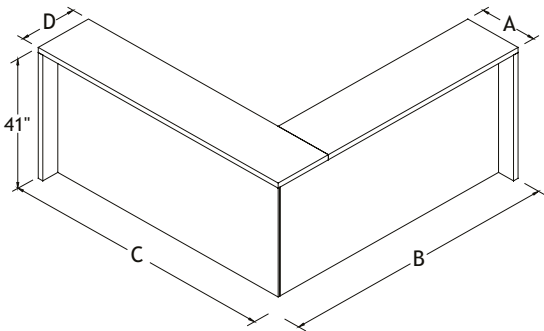
Prices

Dimensions								
A	B	C	RE (D0)	RE (D1)	RE (D2)	REC (D0)	REC (D1)	REC (D2)
18	64	41	2460	2649	2840	2460	2649	2840
18	76	41	2580	2771	2960	2580	2771	2960
18	82	41	2613	2804	3021	2613	2804	3021

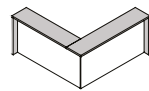
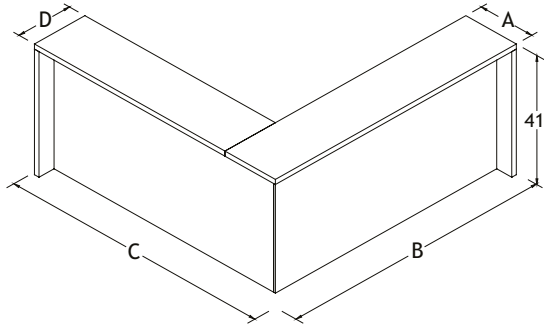
Reception Desks

M-Brace - Corner Reception Counter with Laminate Front Panel

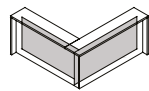
MC-M L



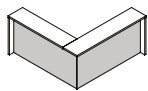
MC-M R



Top & Legs
Color available for the REC series in 1-5/8" only



Base
1" structure and panel on user side



Front
Choice of 5/8" Std or Hg color

Combination of Colors

How to Order

ABCD					Combination of Colors			
REC		41	MC-M	L R	See the Logiflex Color Chart (p. 11)			
series	dimensions	height	product	direction	top & legs	base	front	
Example	REC	18868618	41	MC-M	R	SW	SW	W-H

Manufacturing Standards

- RE : 1" top and legs.
REC : 1-5/8" top and legs.
- 5-3/8" recessed laminate front (exterior);
- 6" recessed modesty panel (interior).

For specification reasons, the reception desk is 1/8" less than the dimension listed.

Interior width for work desk:

- 60"x 60" work desk fits with a 74"x 74" reception counter;
- 66"x 66" work desk fits with a 80"x 80" reception counter;
- 72"x 72" work desk fits with a 86"x 86" reception counter.

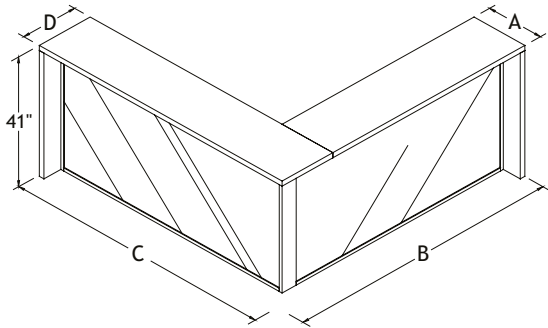
Prices

Dimensions							
A	B	C	D	RE	RE (HG)	REC	REC (HG)
18	74	74	18	2563	3158	2563	3158
18	80	80	18	2646	3297	2646	3297
18	86	86	18	2730	3434	2730	3434

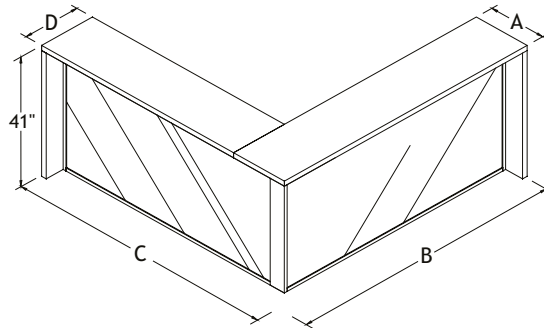
Reception Desks

M-Brace - Corner Reception Counter with Acrylic Front Panel

MC-A L



MC-A R

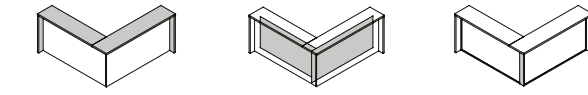


LED Lighting



D0 No LED
D1 LED on top only
D2 LED on top and bottom

Combination of Colors



Top & Legs
 Color available for the REC series in 1-5/8" only
Base
 1" panel on user side
Front
 1" laminate frame around acrylic panel

Manufacturing Standards

- RE : 1" top and legs.
 REC : 1-5/8" top and legs.
- 6" recessed translucent white acrylic front with laminate frame (interior and exterior);
- Removable fronts for access to the lighting.

For specification reasons, the reception desk is 1/8" less than the dimension listed.

Interior width for work desk:
 - 60"x 60" work desk fits with a 74"x 74" reception counter;
 - 66"x 66" work desk fits with a 80"x 80" reception counter;
 - 72"x 72" work desk fits with a 86"x 86" reception counter.

LED Option: LED backlighting with two 4-step tape dimmers fixed under the top on the user side on both left and right sides of the reception.

Prices

Dimensions									
A	B	C	D	RE (D0)	RE (D1)	RE (D2)	REC (D0)	REC (D1)	REC (D2)
18	74	74	18	4613	4803	5289	4613	4803	5289
18	80	80	18	4692	4881	5398	4692	4881	5398
18	86	86	18	4776	4965	5510	4776	4965	5510

How to Order

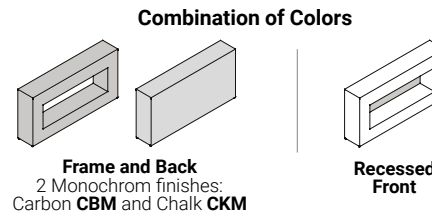
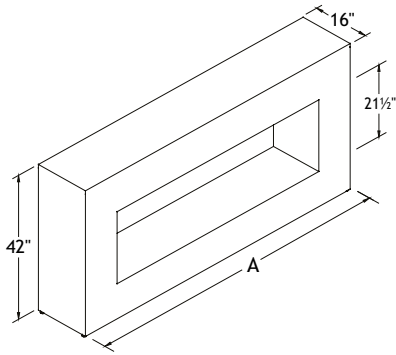
ABCD			D0 D1 D2		L R		Combination of Colors See the Logiflex Color Chart (p. 11)		
REC		41	MC-A						
series	dimensions	height	product	LED	direction	top & legs	base	front	

Example REC 18868618 41 MC-A D2 R SW W SW

Reception Desks

Monochrom - Straight Reception Counter

MON



Manufacturing Standards

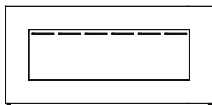
- Monochrom straight reception counter with seamless edge frame;
- Monochrom anti-fingerprint, matt finish on frame and back;
- HPL recessed front 15-3/8";
- Height: 42"

***Note:** for stability purposes it is recommended that the 16" reception counter be attached to a desk.

Desks and storage sold separately.

Options

LED Option



LED on top only

D1

\$378

Prices

Dimensions

A	Price
60	14 174
66	14 426
72	14 680
78	14 932

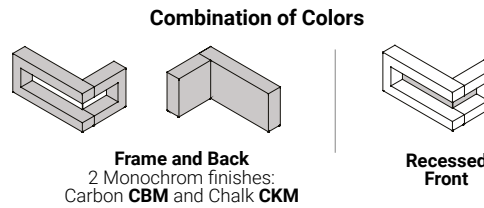
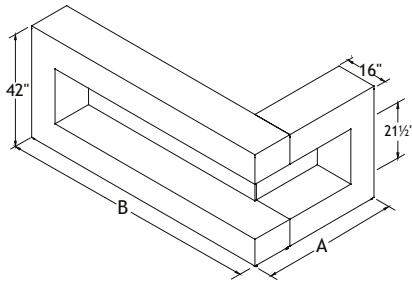
How to Order

REM	A	MON	CKM CBM	D1	Combination of Colors <i>See the Logiflex Color Chart (p. 15)</i>
series	dimension	product	frame color	LED	front color
Example REM	60	MON	CBM		W

Reception Desks

Monochrom - Left L-Shaped Reception Counter

MONL



Manufacturing Standards

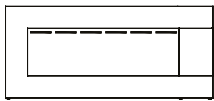
- Delivered disassembled;
- Monochrom L-shaped reception counter with seamless edge frame;
- Monochrom anti-fingerprint, matt finish on frame and back;
- HPL recessed front 15-3/8";
- Height: 42"

Suggested model for a linear desk configuration.

Desks and storage sold separately. For more information, see [Appendix F](#).

Options

LED Option



LED on top only

D1
\$378

How to Order

REM	AB	MONL	CKM CBM	D1	Combination of Colors <i>See the Logiflex Color Chart (p. 15)</i>
series	dimensions	product	frame color	LED	front color
Example	REM 4076	MONL	CBM		W

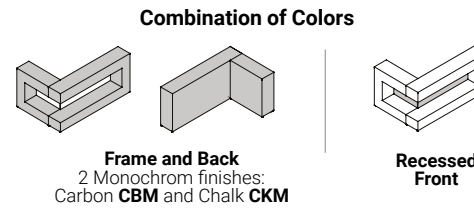
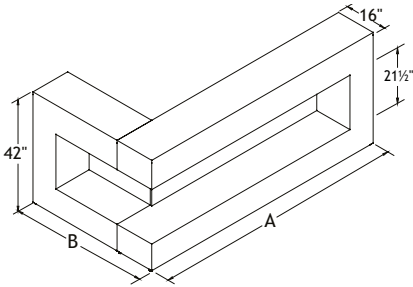
Prices

Dimensions	
A	B
40 76	21 581
46 76	21 833
40 82	22 085
46 82	22 340
40 88	22 592
46 88	22 845
40 94	23 097
46 94	23 351

Reception Desks

Monochrom - Right L-Shaped Reception Counter

MONR



Manufacturing Standards

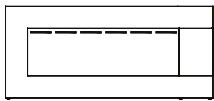
- Delivered disassembled;
- Monochrom L-shaped reception counter with seamless edge frame;
- Monochrom anti-fingerprint, matt finish on frame and back;
- HPL recessed front 15-3/8";
- Height: 42"

Suggested model for a linear desk configuration.

Desks and storage sold separately. For more information, see [Appendix F](#).

Options

LED Option



LED on top only

D1

\$378

How to Order

REM	AB	MONR	CKM CBM	D1	Combination of Colors <i>See the Logiflex Color Chart (p. 15)</i>
series	dimensions	product	frame color	LED	front color
Example	REM 7640	MONR	CBM		W

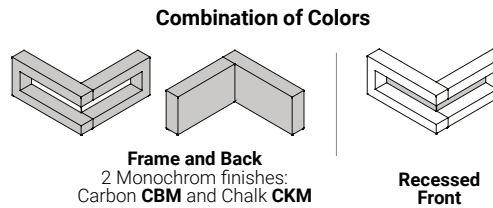
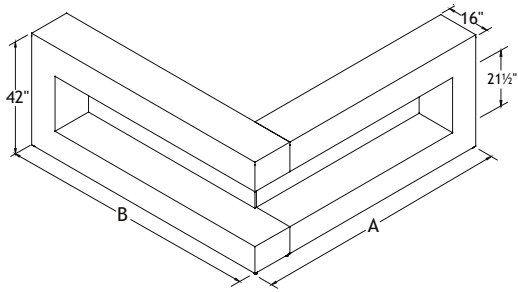
Prices

Dimensions	
A	B
76 40	21 581
76 46	21 833
82 40	22 085
82 46	22 340
88 40	22 592
88 46	22 845
94 40	23 097
94 46	23 351

Reception Desks

Monochrom - Left L-Shaped Reception Counter

MONL



Manufacturing Standards

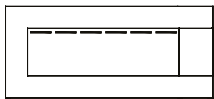
- Delivered disassembled;
- Monochrom L-shaped reception counter with seamless edge frame;
- Monochrom anti-fingerprint, matt finish on frame and back;
- HPL recessed front 15-3/8";
- Height: 42"

Suggested model for "L" configuration.

Desks and storage sold separately. For more information, see [Appendix F](#).

Options

LED Option



LED on top only

D1
\$378

How to Order

					+	Combination of Colors See the Logiflex Color Chart (p. 15)
REM	AB	MONL	CKM CBM	D1		
series	dimensions	product	frame color	LED		front color
Example	REM	7076	MONL	CBM		W

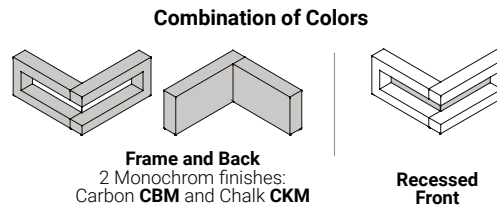
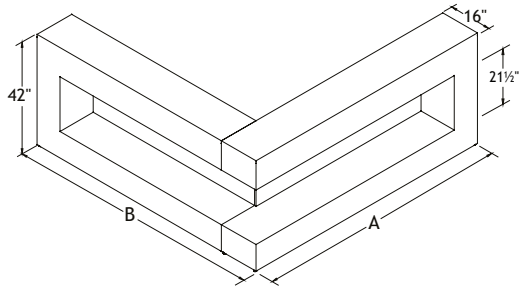
Prices

Dimensions	
A	B
70 76	21 656
76 76	21 971
70 82	22 288
76 82	22 605
82 82	22 921
70 88	23 237
76 88	23 553
82 88	23 870
88 88	24 186
70 94	24 501
76 94	24 816
82 94	25 133
88 94	25 450
94 94	25 765

Reception Desks

Monochrom - Right L-Shaped Reception Counter

MONR



Manufacturing Standards

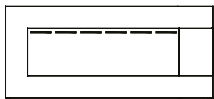
- Delivered disassembled;
- Monochrom L-shaped reception counter with seamless edge frame;
- Monochrom anti-fingerprint, matt finish on frame and back;
- HPL recessed front 15-3/8";
- Height: 42"

Suggested model for "L" configuration.

Desks and storage sold separately. For more information, see [Appendix F](#).

Options

LED Option



LED on top only

D1
\$378

How to Order

REM	AB	MONR	CKM CBM	D1	Combination of Colors <i>See the Logiflex Color Chart (p. 15)</i>
series	dimensions	product	frame color	LED	front color
Example	REM 7670	MONR	CBM		W

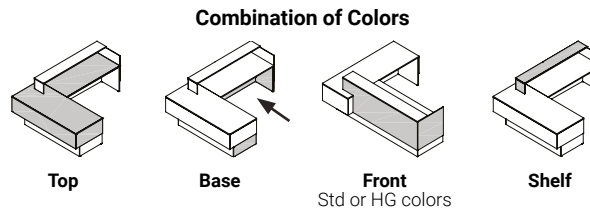
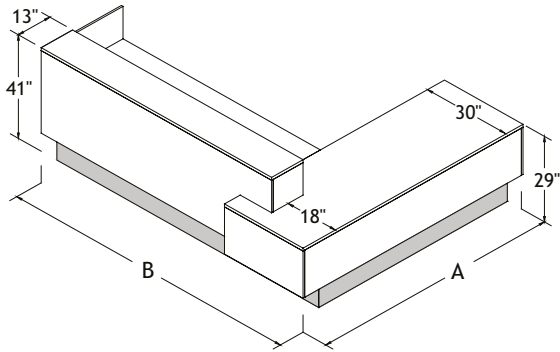
Prices

Dimensions A B	
76 70	21 656
76 76	21 971
82 70	22 288
82 76	22 605
82 82	22 921
88 70	23 237
88 76	23 553
88 82	23 870
88 88	24 186
94 70	24 501
94 76	24 816
94 82	25 133
94 88	25 450
94 94	25 765

Reception Desks

Inbox - Left L-Shaped Counter

INBL L



Manufacturing Standards

- Delivered disassembled;
- 1" tops;
- Metallic high pressure laminate kick plate;
- 2 CCPF grommets on the main work surface.

Pedestal: To add a pedestal, see Pedestals for Inbox Collection starting at [page 36](#).

LED option: Cool white LED tape lighting the kick plate, with black rocker switch installed on desk top.

Options

Grommet Position	Grommet Style	LED Option
	<p>\$0 \$0</p>	<p>DEL \$651</p>

Prices

Dimensions			
A	B	Std	Hg
72	82	4823	5542
72	88	4867	5608
72	94	4910	5673
72	100	4954	5741
78	82	4867	5598
78	88	4910	5664
78	94	4954	5732
78	100	4999	5797
84	82	4910	5653
84	88	4953	5719
84	94	4999	5789
84	100	5043	5856

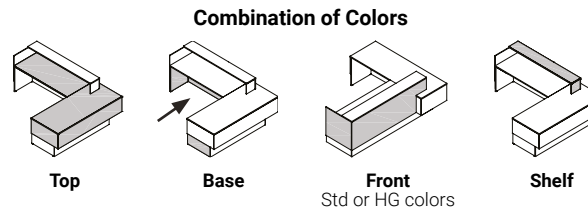
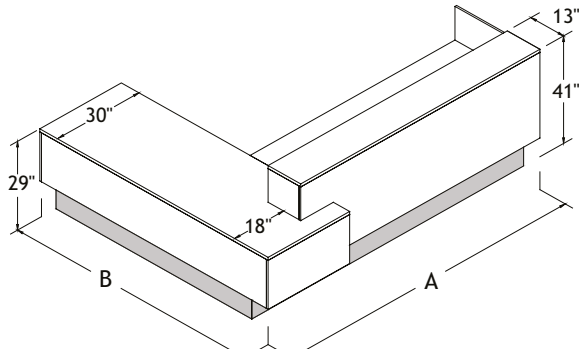
How to Order

AB		INBL L		Grommet Position		Grommet Style		Combination of Colors			
RE	AB	INBL	L	GLR (std)	CCPF (std)	LED	top	base	front	shelf	
series	dimensions	product	direction	grommet position	grommet style	LED					
Example	RE	84100	INBL	L	GLR	CCPF		LL	W	W	W

Reception Desks

Inbox - Right L-Shaped Counter

INBL R



Manufacturing Standards

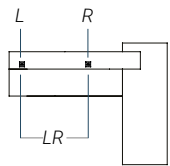
- Delivered disassembled;
- 1" tops;
- Metallic high pressure laminate kick plate;
- 2 CCPF grommets on the main work surface.

Pedestal: To add a pedestal, see Pedestals for Inbox Collection starting at [page 36](#).

LED option: Cool white LED tape lighting the kick plate, with white rocker switch installed on desk top.

Options

Grommet Position



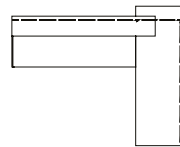
Grommet Style



\$0

\$0

LED Option



DEL
\$651

Prices

Dimensions			
A	B	Std	Hg
82	72	4823	5542
88	72	4867	5608
94	72	4910	5673
100	72	4954	5741
82	78	4867	5598
88	78	4910	5664
94	78	4954	5732
100	78	4999	5797
82	84	4910	5653
88	84	4953	5719
94	84	4999	5789
100	84	5043	5856

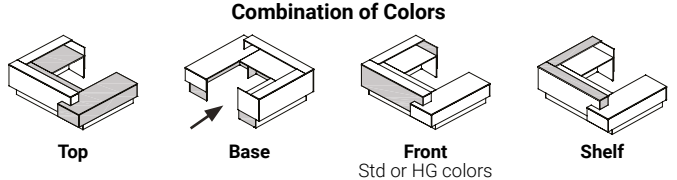
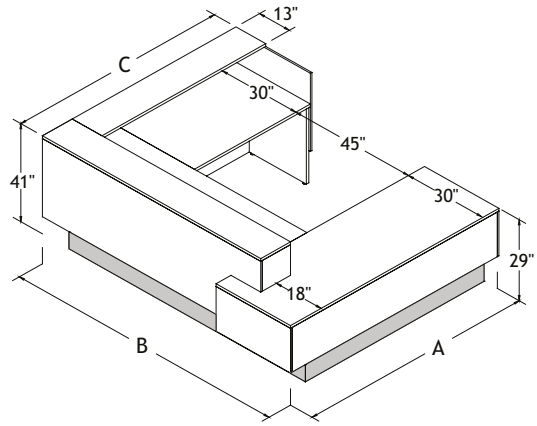
How to Order

AB		Direction		Grommet Position		Grommet Style		Combination of Colors			
RE	INBL	R	GLR (std)	CCPF (std)	LED	top	base	front	shelf		
series	dimensions	product	direction	grommet position	grommet style	LED	top	base	front	shelf	
Example	RE 10084	INBL	R	GLR	CCPF		LL	W	W	W	

Reception Desks

Inbox - Left U-Shaped Counter

INBU L



Manufacturing Standards

- Delivered disassembled;
- 1" tops;
- Metallic high pressure laminate kick plate;
- 3 CCPF grommets.

Pedestal: To add a pedestal, see Pedestals for Inbox Collection starting at [page 36](#).

LED option: Cool white LED tape lighting the kick plate, with white rocker switch installed on desk top.

Options

Grommet Position

3 grommets (GR3)

Grommet Style

\$0 \$0

LED Option

DEL
\$911

Prices

Dimensions				
A	B	C	Std	Hg
72	106	66	6598	7650
84	106	78	6775	7895

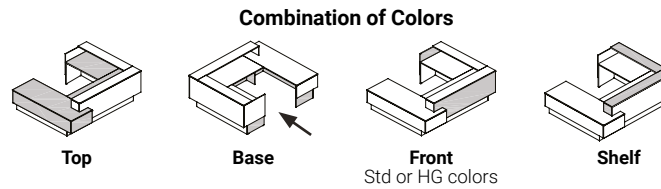
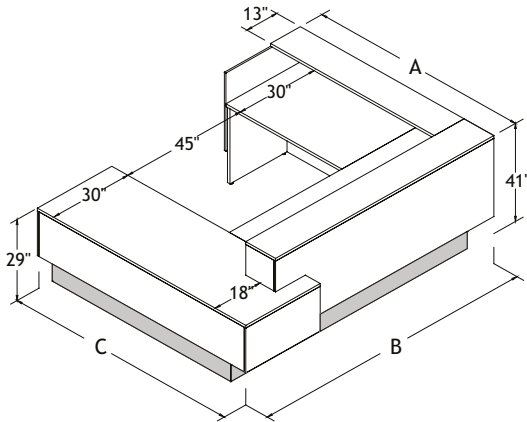
How to Order

				NGR GCR GLC GR3 (std)			ELPF CAPF CBPF CCPF (std)			Combination of Colors See the Logiflex Color Chart (p. 11)				
ABC														
RE		INBU	L											
series	dimensions	product	direction	grommet position	grommet style	LED	top	base	front	shelf				
Example	RE	8410678	INBU	L	GR3	CCPF	LL	W	W	W				

Reception Desks

Inbox - Right U-Shaped Counter

INBU R



Manufacturing Standards

- Delivered disassembled;
- 1" tops;
- Metallic high pressure laminate kick plate;
- 3 CCPF grommets.

Pedestal: To add a pedestal, see *Pedestals for Inbox Collection* starting at [page 36](#).

LED option: Cool white LED tape lighting the kick plate, with white rocker switch installed on desk top.

Options

Grommet Position

3 grommets (GR3)

Grommet Style

\$0 \$0

LED Option

DEL
\$911

Prices

Dimensions			Std	Hg
A	B	C		
66	106	72	6598	7650
78	106	84	6775	7895

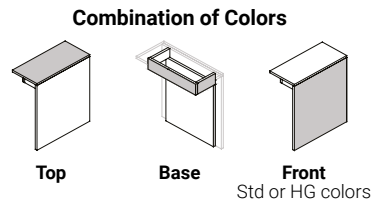
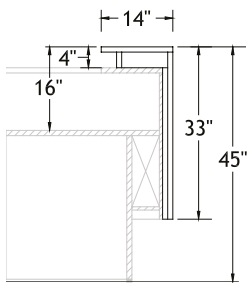
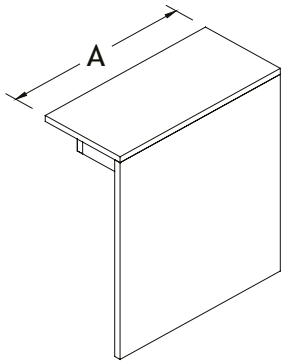
How to Order

ABC			Grommet Position		Grommet Style		Combination of Colors				
RE		INBU	R	GR3 (std)	CCPF (std)						
series	dimensions	product	direction			top	base	front	shelf		
Example	RE	7810684	INBU	R	GR3	CCPF	LL	W	W	W	

Reception Desks

Inbox - Transaction Shelf

INBS



Manufacturing Standards

- Made of laminate, to be attached to an Inbox reception counter;
- 1" transaction shelf comes in 2 pieces, available in:
 - Laminate (**M**)
 - Stained wood (**W**)

Wood finishes: Available colors: White Wash **WW**, Golden Wheat **GW**, Sand **SD**, Apricot **AT**, Pecan **PN**, Brandy **BR**, Chestnut **CT**, Coffee **CF**, Espresso **ES**, Bordeaux **BO**, Black Wash **BW** and Bark **BK**.

Prices

Dimensions A	Code	Front Finish	
		Std	Hg
30	INBS M	922	1041
30	INBS W	1479	

How to Order

Combination of Colors
See the Logiflex Color Chart (p. 11)

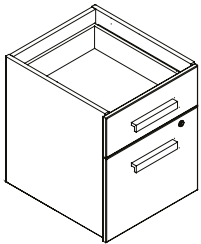
RE	A	INBS	M W			
series	dimensions	product	finish	top	base	front

Example RE 30 INBS M W LL W

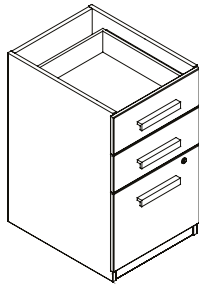
Reception Desks

Inbox - D, E and F Pedestals for Inbox Collection

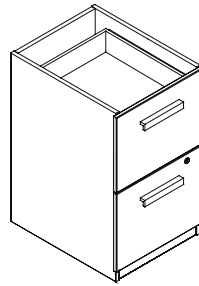
D



E



F



Manufacturing Standards

- Pedestals without tops for Inbox;
- H052 CHR handle;
- D = 1 utility drawer and 1 file drawer;
- E = 2 utility drawers and 1 file drawer;
- F = 2 file drawers;
- Lock.

Width : Letter size -15-3/4"

Width : Legal size - 18-3/4"

For installation by client on existing furniture.

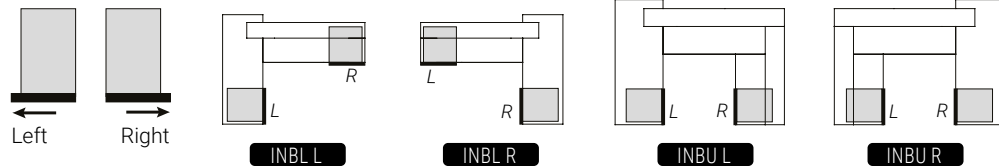
Handles: For handles other than H052CHR standard, please choose from the Logiflex list at no extra charge.

Note: The above illustrations represents the left overlapping drawer front.

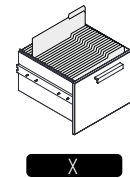
Options

Drawer Direction

It is important to specify the drawer direction as the drawer front is offset and overlaps the leg on the side.
Ex: the left drawer front overlaps the left leg.



Legal Size



Prices

Code	Std	Hg
INBOXD	726	763
INBOXDX	814	849
INBOXE	909	932
INBOXEX	990	1016
INBOXF	909	932
INBOXFX	990	1016

How to Order

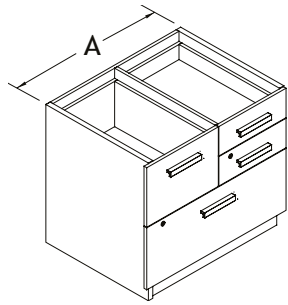
RE	INBOX	D E F	L R	X
series	code	code	direction	legal size

Example RE INBOX D L X

Reception Desks

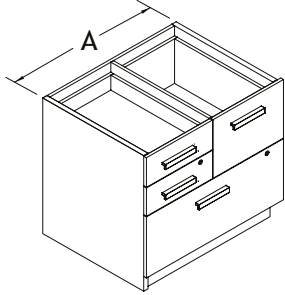
Inbox - Combination Pedestals for Inbox Collection

CBCL-L



The above illustrations represents the left overlapping drawer front.

BCCL-R



The above illustrations represents the right overlapping drawer front.

Manufacturing Standards

- Pedestals without tops for Inbox;
- 2 utility drawers, 1 filing drawer and 1 lateral filing drawer;
- H052 CHR handles;
- Crossbars;
- Locks.

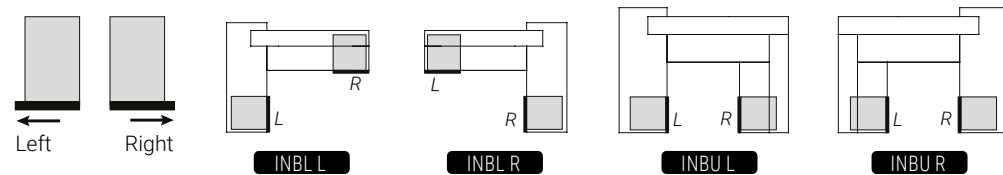
For installation by client on existing furniture.

Handles: For handles other than H052CHR standard, please choose from the Logiflex list at no extra charge.

Options

Drawer Direction

It is important to specify the drawer direction as the drawer front is offset and overlaps the leg on the side.
Ex: the left drawer front overlaps the left leg.



Prices

Width		
A	Std	Hg
30	1526	1566
36	1614	1652

How to Order

		CBCL	30	L
		BCCL	36	R
RE	INBOX			
series	code	code	width	direction

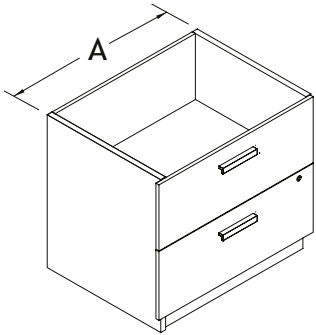
Example RE INBOX BCCL 36 R

Reception Desks



Inbox - Two Drawer Lateral Filing Cabinet for Inbox Collection

CL



Note: The above illustrations represents the left overlapping drawer front.

Manufacturing Standards

- Pedestals without tops for Inbox;
- 2 lateral filing drawers;
- H052 CHR handles;
- Crossbars;
- Lock.

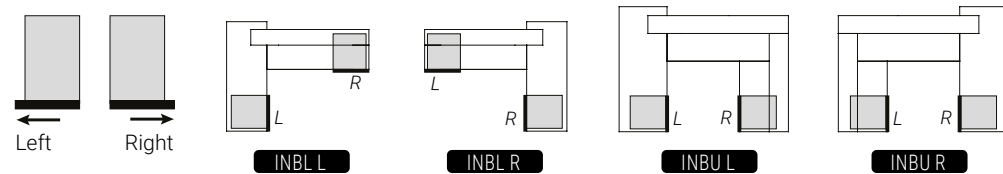
For installation by client on existing furniture.

Handles: For handles other than H052CHR standard, please choose from the Logiflex list at no extra charge.

Options

Drawer Direction

It is important to specify the drawer direction as the drawer front is offset and overlaps the leg on the side.
Ex: the left drawer front overlaps the left leg.



Prices

Width		
A	Std	Hg
30	1067	1096
36	1154	1181
42	1190	1218

How to Order

			30	
			36	L
			42	R
RE	INBOX	CL		
series	code	code	width	direction

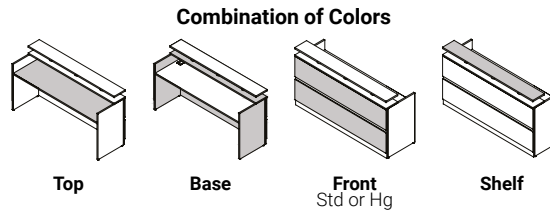
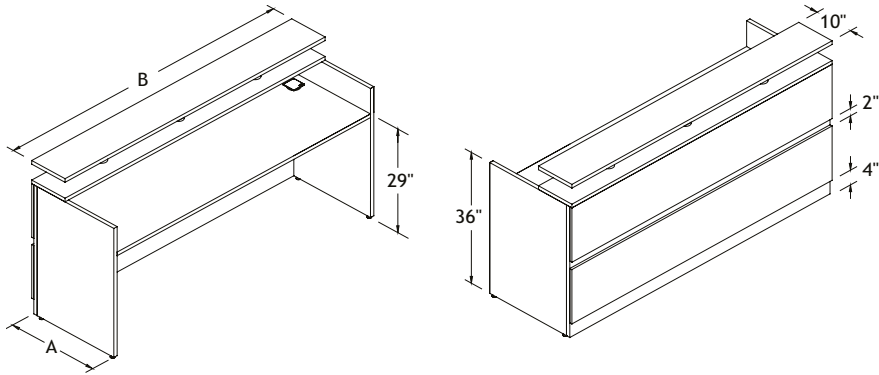
Example **RE** **INBOX** **CL** 36 L

Reception Desks



Reception 3K - Reception Desk with One Full Length Transaction Shelf

3K1



Manufacturing Standards

- 1" tops;
- 2 CCPF grommets;
- Full modesty panel;
- 2 front panels 5/8" thick;
- Strip of brushed aluminum high pressure laminate on the kick plate and between the front panels;
- Shelf brackets are 1.75" in diameter, 4-3/8" high and have a Satin Nickel finish.

***Note:** for stability purposes the 24" 3K1 and 3K2 reception desks must be attached to either a pedestal or a return.

Options

Grommet Position	Grommet Style	Installed Pedestals
	<p>\$0 \$26 ea.</p>	<p>Specify installed pedestals, starting on p. 73</p>

Prices

Dimensions			
A	B	Std	Hg
*24	66	3090	3427
*24	72	3367	3739
*24	78	3655	4057
*24	84	3936	4369
*24	96	4495	4990
<hr/>			
30	66	3148	3511
30	72	3432	3814
30	78	3729	4143
30	84	4018	4459
30	96	4582	5087

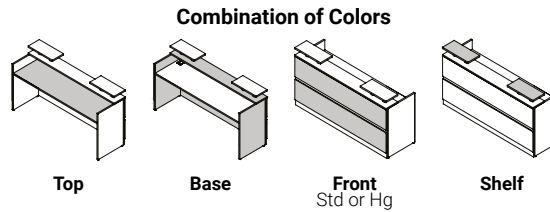
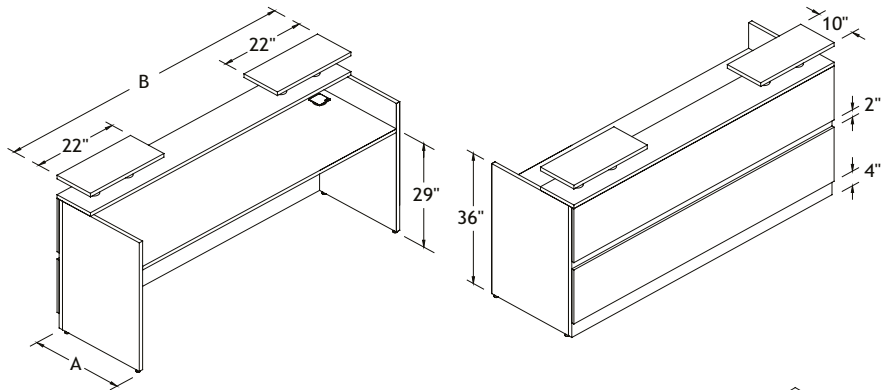
How to Order

option (\$)	AB	option (\$)	3K1	NGR GRL GRR GRC GLR (std)	ELPF CAPF CBPF CCPF (std)	L29 R29 RET3KL RET3KR	Combination of Colors <i>See the Logiflex Color Chart (p. 11)</i>				
RE							top	base	front	shelf	
series	pedestal on left	dimensions	pedestal on right	product	grommet position	grommet style	reception return				
Example RE	E	2466		3K1	GLR	CCPF		W	SW	SW	W

Reception Desks

Reception 3K - Reception Desk with Two Transaction Shelves

3K2



Manufacturing Standards

- 1" tops;
- 2 CCPF grommets;
- Full modesty panel;
- 2 front panels 5/8" thick;
- Strip of brushed aluminum high pressure laminate on the kick plate and between the front panels;
- Shelf brackets are 1.75" in diameter, 4-3/8" high and have a Satin Nickel finish.

***Note:** for stability purposes the 24" 3K1 and 3K2 reception desks must be attached to either a pedestal or a return.

Options

Grommet Position	Grommet Style	Installed Pedestals
	<p>\$0 \$26 ea.</p>	<p>Specify installed pedestals, starting on p. 73</p>

Prices

Dimensions			
A	B	Std	Hg
*24	66	3090	3427
*24	72	3367	3739
*24	78	3655	4057
*24	84	3936	4369
*24	96	4495	4990
<hr/>			
30	66	3148	3511
30	72	3432	3814
30	78	3729	4143
30	84	4018	4459
30	96	4582	5087

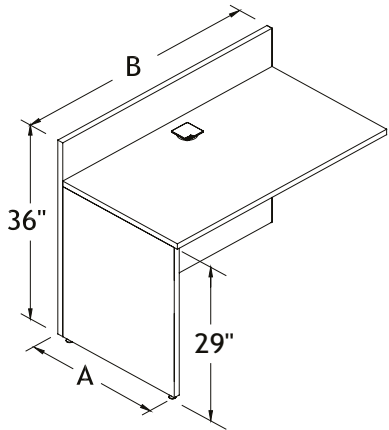
How to Order

option (\$)	AB	option (\$)	NGR GRL GRR GRC GLR (std)	ELPF CAPF CBPF CCPF (std)	L29 R29 RET3KL RET3KR RET3KR	Combination of Colors <i>See the Logiflex Color Chart (p. 11)</i>					
RE			3K2			top	base	front	shelf		
series	pedestal on left	dimensions	pedestal on right	product	grommet position	grommet style	reception return				
Example RE	E	2466		3K2	GLR	CCPF		W	SW	SW	W

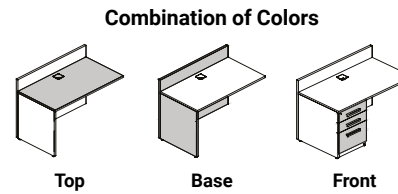
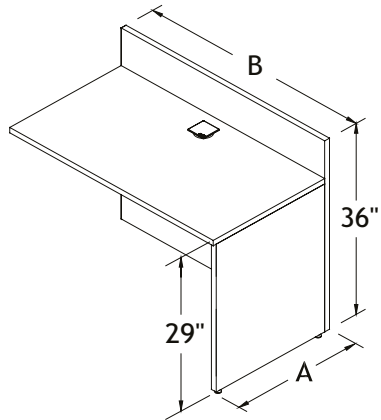
Reception Desks

Reception 3K - Return

RET 3K L



RET 3K R

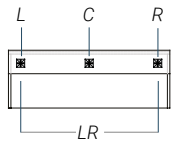


Manufacturing Standards

- 1" tops;
- Centred CCPF grommet;
- Full modesty panel.

Options

Grommet Position



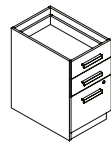
Grommet Style



\$0

\$26 ea.

Installed Pedestals



Specify installed pedestals, starting on p. 73

Prices

Dimensions

A	B
24 30	774
24 36	803
24 42	845
24 48	887

How to Order

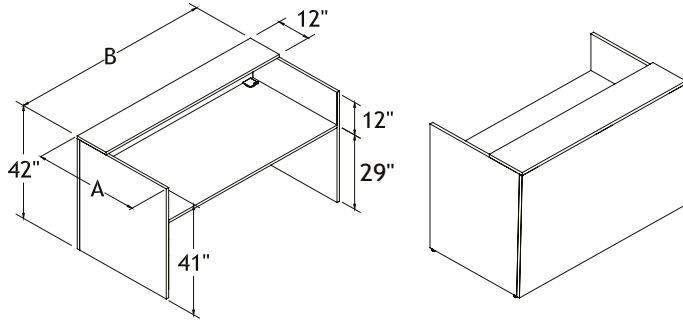
RE	AB	option (\$)	RET 3K	L R	NGR GRL GRR GLR GRC (std)	ELPF CAPF CBPF CCPF (std)	Combination of Colors <i>See the Logiflex Color Chart (p. 11)</i>		
series	dimensions	pedestal	product	direction	grommet position	grommet style	top	base	front
Example RE	2442	E	RET 3K	L	GRC	CCPF	SW	SW	W

Reception Desks

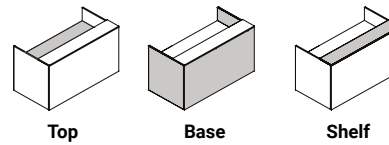


Gallery - Rectangular Reception Desk with Shelf

GA



Combination of Colors



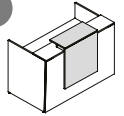
Manufacturing Standards

- Rectangular reception desk;
- 42"H transaction shelf;
- CCPF grommets on left and right.



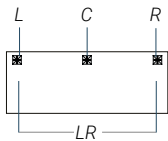
Tips & Tricks

You can add an INBS transaction shelf from the Inbox collection to your Gallery rectangular reception desk.



Options

Grommet Position

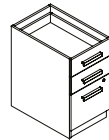


Grommet Style



\$0 \$26 ea.

Installed Pedestals



Specify installed pedestals, starting on p. 73

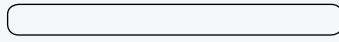
Prices

Dimensions	RE	REL	REC	RECL
A B	1"	1-1/16"	1-5/8"	1-9/16"
30 60	1389	1827	1739	2092
30 66	1452	1925	1832	2208
30 72	1526	2041	1944	2357
30 78	1600	2161	2059	2507
30 84	1660	2261	2151	2626
36 60	1409	1919	1829	2208
36 66	1489	2048	1950	2385
36 72	1594	2162	2060	2531
36 78	1625	2280	2170	2674
36 84	1703	2403	2290	2851

How to Order

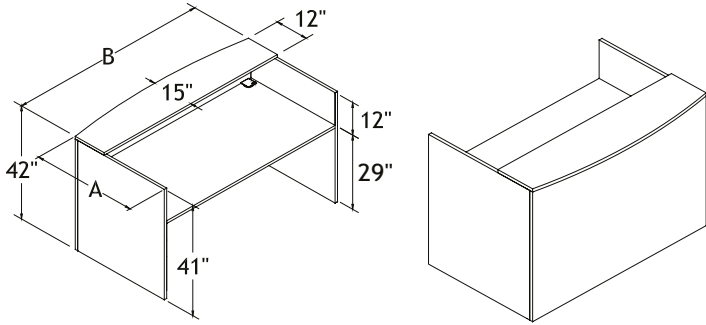
RE	REL	REC	RECL	option (\$)	AB	option (\$)	GA	NGR	GRC	GRR	GRL	GLR (std)	ELPF	CAPF	CBPF	CCPF (std)	L29	R29	GAL	GAR	Combination of Colors	
																						See the Logiflex Color Chart (p. 11)
series	pedestal on left	dimensions	pedestal on right	product	grommet position	grommet style	reception return	top	base	shelf												
RE	E	3660		GA	GLR	CCPF		Z	Z	W												

Reception Desks



Gallery - Rectangular Reception Desk with Convex Shelf

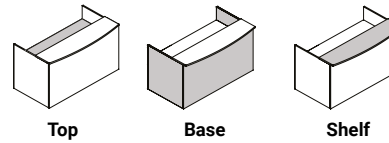
GACX



Manufacturing Standards

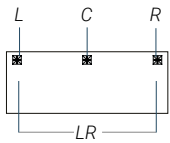
- Rectangular reception desk;
- 42"H transaction shelf;
- CCPF grommets on left and right.

Combination of Colors



Options

Grommet Position

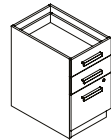


Grommet Style



\$0 \$26 ea.

Installed Pedestals



Specify installed pedestals, starting on p. 73

Prices

Dimensions	RE	REL	REC	RECL
A B	1"	1-1/16"	1-5/8"	1-9/16"
30 60	1622	2071	1971	2339
30 66	1688	2176	2072	2461
30 72	1762	2290	2180	2604
30 78	1834	2403	2290	2764
30 84	1901	2507	2389	2867
36 60	1644	2164	2063	2461
36 66	1722	2294	2184	2631
36 72	1792	2409	2295	2777
36 78	1857	2525	2403	2925
36 84	1941	2654	2529	3094

How to Order

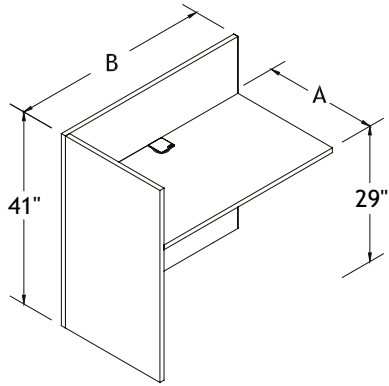
RE REL REC RECL	option (\$)	AB	option (\$)	GACX	NGR GRC GRR GRL GLR (std)	ELPF CAPF CBPF CCPF (std)	L29 R29 GAL GAR	Combination of Colors <i>See the Logiflex Color Chart (p. 11)</i>
series	pedestal on left	dimensions	pedestal on right	product	grommet position	grommet style	reception return	top base shelf
RE	E	3660		GACX	GLR	CCPF		Z Z W

Reception Desks

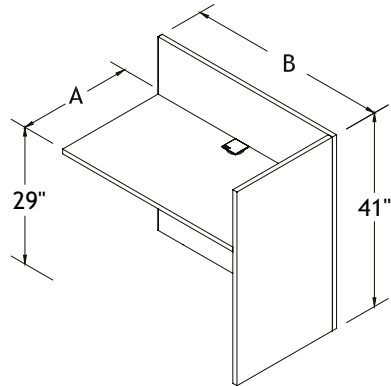


Gallery - Reception Return

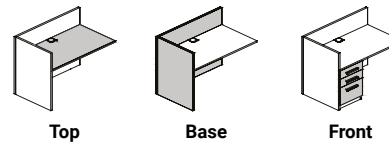
GAL



GAR



Combination of Colors

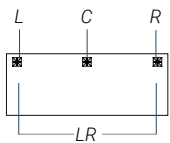


Manufacturing Standards

- Reception return;
- CCPF centered grommet.

Options

Grommet Position

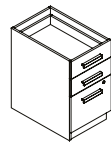


Grommet Style



\$0 \$26 ea.

Installed Pedestals



Specify installed pedestals, starting on p. 73

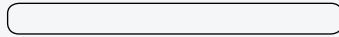
Prices

Dimensions	RE	REL	REC	RECL
A B	1"	1-1/16"	1-5/8"	1-9/16"
20 36	794	989	941	1055
20 42	860	1076	1026	1154
20 48	922	1166	1112	1254
20 54	991	1259	1199	1391
20 60	1055	1359	1293	1475
24 36	814	1041	992	1130
24 42	881	1130	1077	1251
24 48	948	1226	1168	1340
24 54	1013	1326	1264	1452
24 60	1078	1427	1358	1565

How to Order

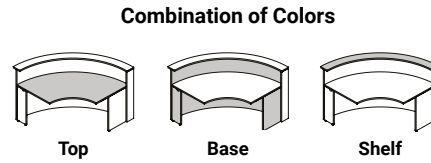
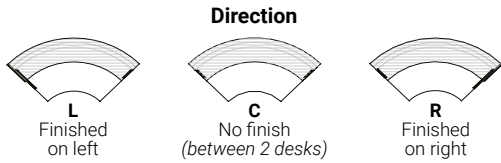
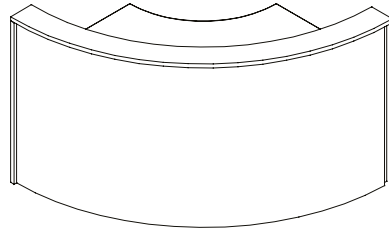
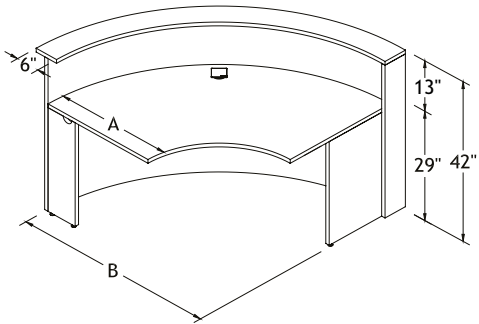
RE REL REC RECL	AB	option (\$)	GAR GAL	NGR GLR GRR GRL GRC (std)	ELPF CAPF CBPF CCPF (std)	Combination of Colors <i>See the Logiflex Color Chart (p. 11)</i>		
series	dimensions	pedestal	product	grommet position	grommet style	top	base	front
Example RE	2460	E	GAL	GRC	CCPF	Z	Z	W

Reception Desks



Spheric - Quarter-Moon Reception Desk with Finishing Shelf

SPH F



Manufacturing Standards

- 1" top;
- Curved front panels made of high pressure laminate (HPL);
- Centered CCPF grommet;
- 3" aluminum finishing filler when there are 2 adjoining desks.

Options

Grommet Position **Grommet Style**

\$0 \$26 ea.

Prices

Dimensions	
A	B
24 46	4262
30 54	4697

How to Order

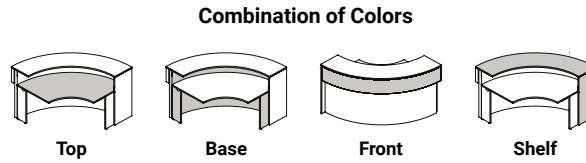
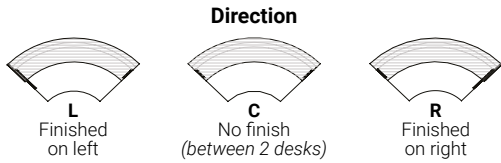
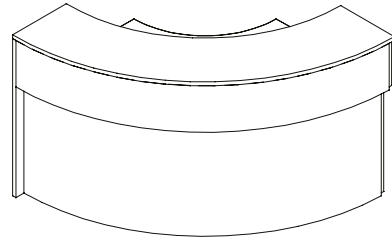
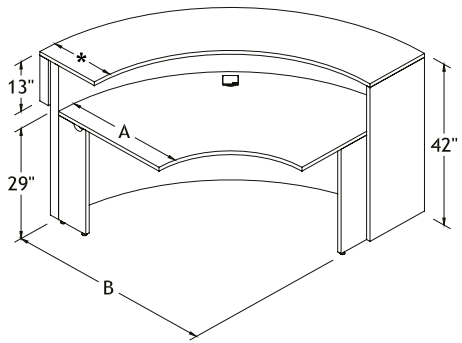
RE	AB	SPH F	L C R	NGR GLR GRR GRL GRC (std)	ELPF CAPF CBPF CCPF (std)	Combination of Colors <i>See the Logiflex Color Chart (p. 11)</i>		
series	dimensions	product	direction	grommet position	grommet style	top	base	shelf
Example RE	2446	SPH F	L	GRC	CCPF	LL	W	LL

Reception Desks



Spheric - Quarter-Moon Reception Desk with Transaction Shelf

SPH T



Manufacturing Standards

- 1" top;
- Curved front panels made of high pressure laminate (HPL);
- Centered CCPF grommet;
- 3" aluminum finishing filler when there are 2 adjoining desks.

***Transaction Tops:**
For 24" tops, the transaction shelf is 12";
For 30" tops, the transaction shelf is 16".

Options

Grommet Position **Grommet Style**

L **C** **R**

LR

\$0 \$26 ea.

Prices

Dimensions	
A	B
24 46	5446
30 54	6284

How to Order

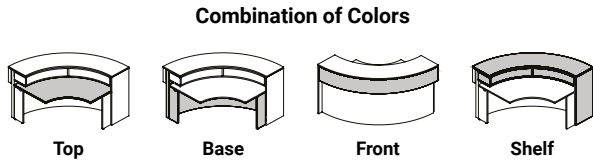
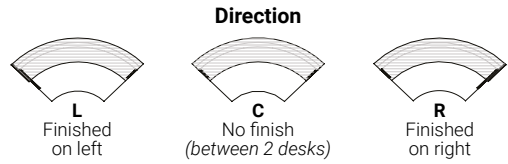
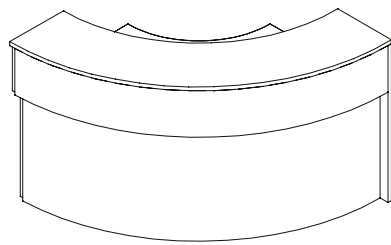
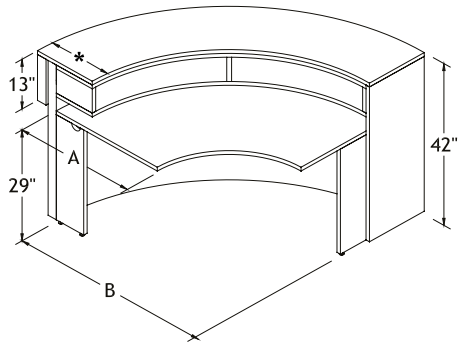
AB		L C R		NGR GLR GRR GRL GRC (std)		ELPF CAPF CBPF CCPF (std)		Combination of Colors <i>See the Logiflex Color Chart (p. 11)</i>			
RE	SPH T					top	base	front	shelf		
series	dimensions	product	direction	grommet position	grommet style						
Example RE	2446	SPH T	L	GRC	CCPF	LL	W	W	LL		

Reception Desks



Spheric - Quarter-Moon Reception Desk with Transaction Shelf and Pigeonhole Unit

SPH P



Manufacturing Standards

- 1" top;
- Curved front panels made of high pressure laminate (HPL);
- Centered CCPF grommet;
- 3" aluminum finishing filler when there are 2 adjoining desks.

***Transaction Tops:**
For 24" tops, the transaction shelf is 12";
For 30" tops, the transaction shelf is 16".

Options

Grommet Position **Grommet Style**

\$0 \$26 ea.

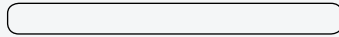
Prices

Dimensions	
A	B
24 46	6927
30 54	7413

How to Order

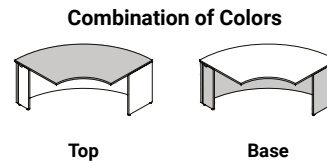
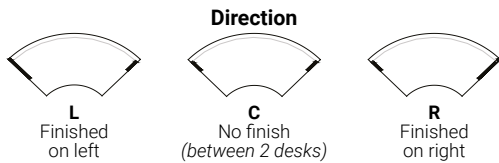
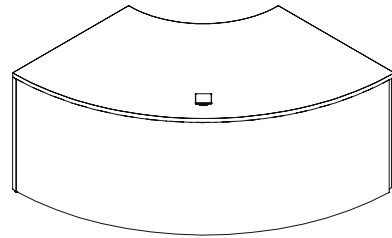
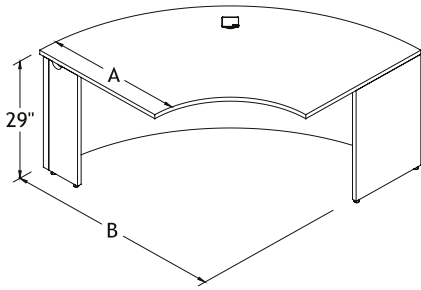
RE	AB	SPH P	L C R	NGR GLR GRR GRL GRC (std)	ELPF CAPF CBPF CCPF (std)	Combination of Colors <i>See the Logiflex Color Chart (p. 11)</i>			
series	dimensions	product	direction	grommet position	grommet style	top	base	front	shelf
Example RE	2446	SPH P	L	GRC	CCPF	LL	W	W	LL

Reception Desks



Spheric - Quarter-Moon Consulting Desk

SPH C



Manufacturing Standards

- 1" top;
- Curved front panels made of high pressure laminate (HPL);
- Centered CCPF grommet;
- 3" aluminum finishing filler when there are 2 adjoining desks.

Fits with Spherical reception desks:

- 27" consulting desk fits with a 24" reception desk;
- 33" consulting desk fits with a 30" reception desk.

Options

Grommet Position **Grommet Style**

\$0 \$26 ea.

Prices

Dimensions	
A	B
27 46	3795
33 54	4026

How to Order

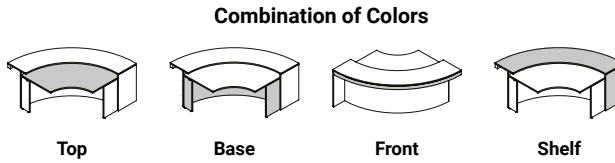
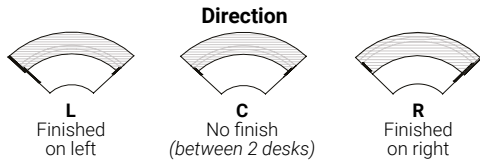
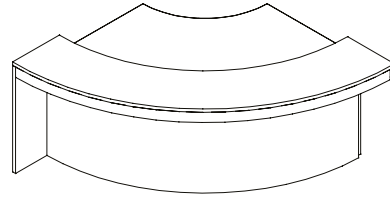
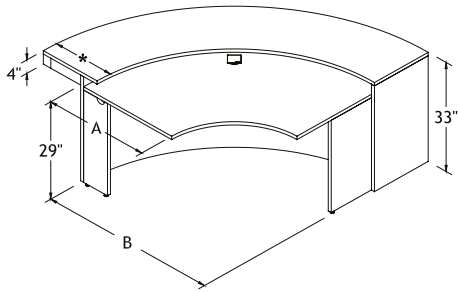
RE	AB	SPH C	L C R	NGR GLR GRR GRL GRC (std)	ELPF CAPF CBPF CCPF (std)	Combination of Colors <i>See the Logiflex Color Chart (p. 11)</i>	
series	dimensions	product	direction	grommet position	grommet style	top	base
Example RE	2746	SPH C	L	GRC	CCPF	LL	W

Reception Desks



Spheric - Quarter-Moon Accessible Reception Desk

SPH A



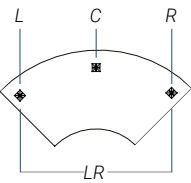
Manufacturing Standards

- 1" top;
- Curved front panels made of high pressure laminate (HPL);
- Centered CCPF grommet;
- 3" aluminum finishing filler when there are 2 adjoining desks.

***Transaction Tops:**
For 24" tops, the transaction shelf is 12";
For 30" tops, the transaction shelf is 16".

Options

Grommet Position



Grommet Style



\$0 \$26 ea.

Prices

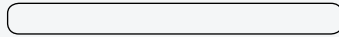
Dimensions

A	B
24 46	5759
30 54	5991

How to Order

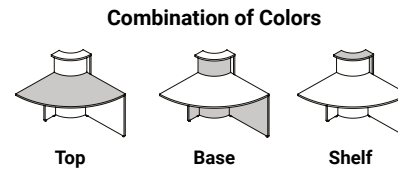
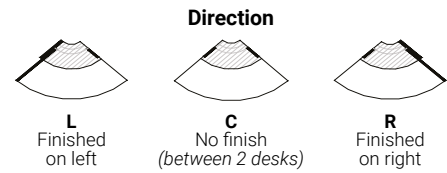
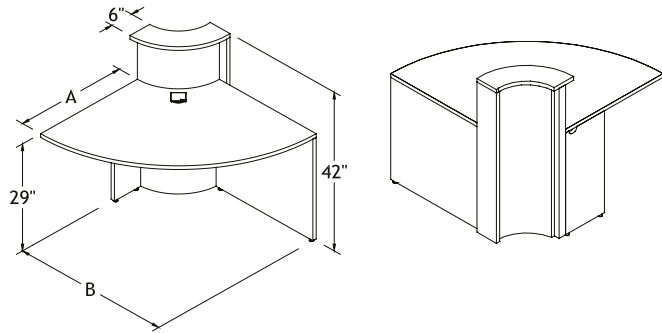
RE	AB	SPH A	L C R	NGR GLR GRR GRLL GRC (std)	ELPF CAPF CBPF CCPF (std)	Combination of Colors <i>See the Logiflex Color Chart (p. 11)</i>			
series	dimensions	product	direction	grommet position	grommet style	top	base	front	shelf
Example RE	3054	SPH A	L	GRC	CCPF	LL	W	W	LL

Reception Desks



Spheric - Inverted Quarter-Moon Reception Desk with Finishing Shelf

SPH IF



Manufacturing Standards

- 1" top;
- Curved front panels made of high pressure laminate (HPL);
- Centered CCPF grommet;
- 3" aluminum finishing filler when there are 2 adjoining desks.

Options

Grommet Position **Grommet Style**

\$0 \$0

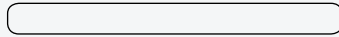
Prices

Dimensions	
A	B
24 36	4440
30 42	4533

How to Order

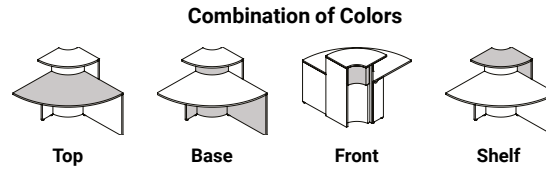
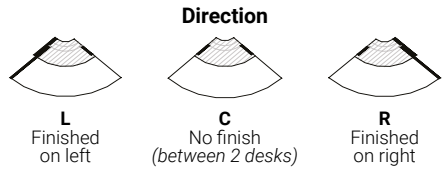
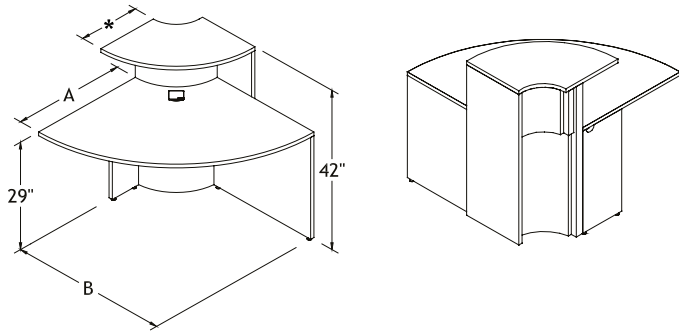
RE	AB	SPH IF	L C R	NGR GRC (std)	ELPF CAPF CBPF CCPF (std)	Combination of Colors <i>See the Logiflex Color Chart (p. 11)</i>			
series	dimensions	product	direction	grommet	grommet style	top	base	front	shelf
Example RE	2436	SPH IF	L	GRC	CCPF	LL	W	W	LL

Reception Desks



Spheric - Inverted Quarter-Moon Reception Desk with Transaction Shelf

SPH IT



Manufacturing Standards

- 1" top;
- Curved front panels made of high pressure laminate (HPL);
- Centered CCPF grommet;
- 3" aluminum finishing filler when there are 2 adjoining desks.

***Transaction Tops:**
For 24" tops, the transaction shelf is 12";
For 30" tops, the transaction shelf is 16".

Options

Grommet Position **Grommet Style**

\$0 \$0

Prices

Dimensions	
A	B
24	36
30	42

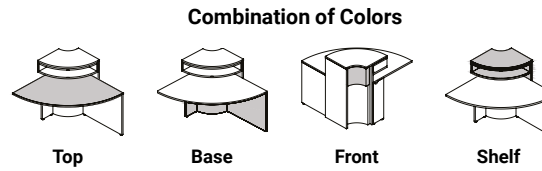
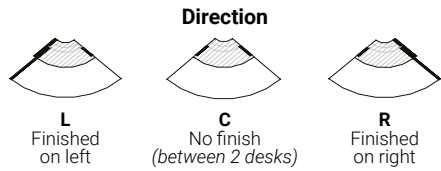
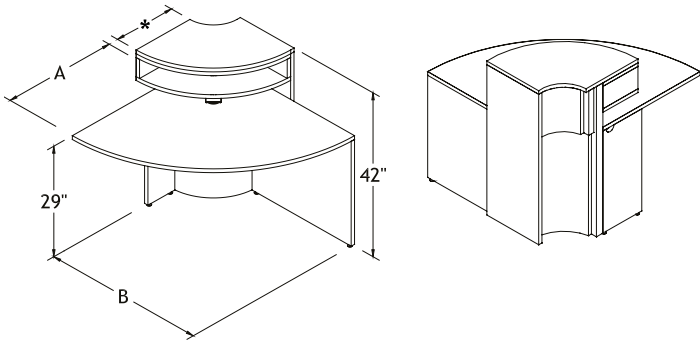
How to Order

RE	AB	SPH IT	L C R	NGR GRC (std)	ELPF CAPF CBPF CCPF (std)	Combination of Colors <i>See the Logiflex Color Chart (p. 11)</i>			
series	dimensions	product	direction	grommet	grommet style	top	base	front	shelf
Example RE	2436	SPH IT	L	GRC	CCPF	LL	W	W	LL

Reception Desks

Spheric - Inverted Quarter-Moon Reception Desk with Transaction Shelf and Pigeonhole Unit

SPH IP



Manufacturing Standards

- 1" top;
- Curved front panels made of high pressure laminate (HPL);
- Centered CCPF grommet;
- 3" aluminum finishing filler when there are 2 adjoining desks.

***Transaction Tops:**
For 24" tops, the transaction shelf is 12";
For 30" tops, the transaction shelf is 16".

Options

Grommet Position **Grommet Style**

\$0 \$0

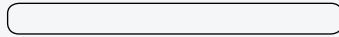
Prices

Dimensions	
A	B
24 36	5592
30 42	5759

How to Order

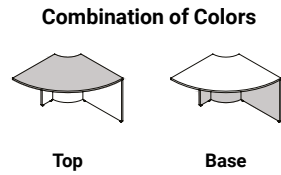
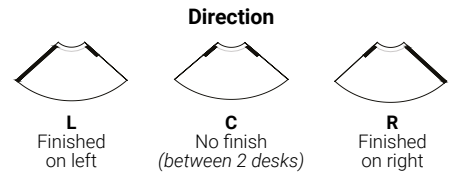
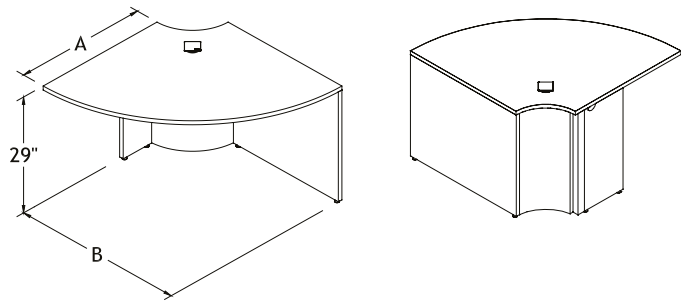
RE	AB	SPH IP	L C R	NGR GRC (std)	ELPF CAPF CBPF CCPF (std)	Combination of Colors <i>See the Logiflex Color Chart (p. 11)</i>			
series	dimensions	product	direction	grommet	grommet style	top	base	front	shelf
Example RE	2436	SPH IP	L	GRC	CCPF	LL	W	W	LL

Reception Desks



Spheric - Inverted Quarter-Moon Consulting Desk

SPH IC



Manufacturing Standards

- 1" top;
- Curved front panels made of high pressure laminate (HPL);
- Centered CCPF grommet;
- 3" aluminum finishing filler when there are 2 adjoining desks.

Fits with Spherical reception desks:
 - 27" consulting desk fits with a 24" reception desk;
 - 33" consulting desk fits with a 30" reception desk.

Options

Grommet Position **Grommet Style**

\$0 \$0

Prices

Dimensions	
A	B
27 36	3629
33 42	3795

How to Order

AB		L C R		Grommet		Combination of Colors	
RE	SPH IC			GRC (std)	CCPF (std)	top	base
series	dimensions	product	direction	grommet	grommet style		
Example RE	2736	SPH IC	L	GRC	CCPF	LL	W

ELPF, CAPF, CBPF, NGR

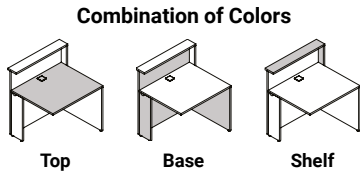
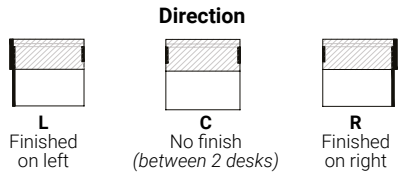
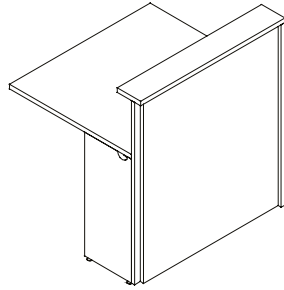
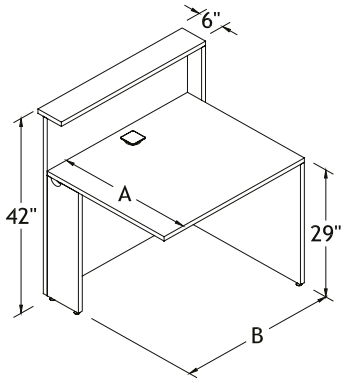
See the Logiflex Color Chart (p. 11)

Reception Desks



Spheric - Straight Reception Desk with Finishing Shelf

SPH SF



Manufacturing Standards

- 1" top;
- Front panels made of high pressure laminate (HPL);
- Centered CCPF grommet;
- 3" aluminum finishing filler when there are 2 adjoining desks.

Installed Pedestal Option: For available installed pedestals, see Work Desks starting on [page 73](#).

Options

Grommet Position	Grommet Style	Installed Pedestals
	<p>\$0 \$26 ea.</p>	<p>Specify installed pedestals, starting on p. 73</p>

Prices

Dimensions	
A	B
24 36	1495
30 36	1542

How to Order

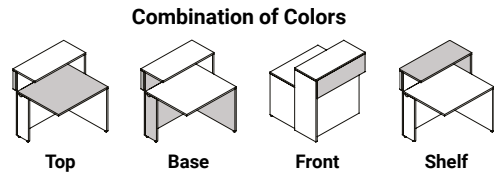
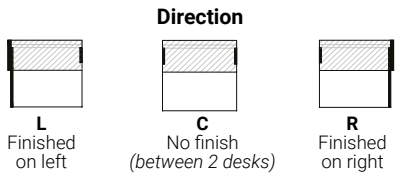
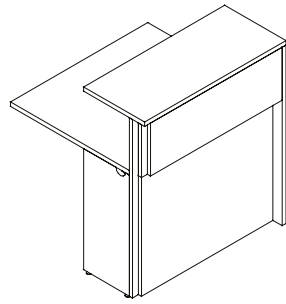
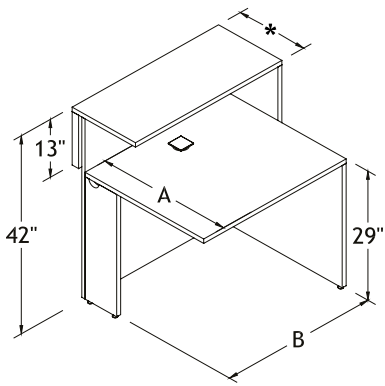
option (\$)	AB	option (\$)	L C R	NGR GLR GRR GRL GRC (std)	ELPF CAPF CBPF CCPF (std)	Combination of Colors <i>See the Logiflex Color Chart (p. 11)</i>		
RE			SPH SF			top	base	shelf
series	pedestal on left	dimensions	pedestal on right	product	direction	grommet position	grommet style	
Example RE	E	2436		SPH SF	L	GRC	CCPF	LL W LL

Reception Desks



Spheric - Straight Reception Desk with Transaction Shelf

SPH ST



Manufacturing Standards

- 1" top;
- Front panels made of high pressure laminate (HPL);
- Centered CCPF grommet;
- 3" aluminum finishing filler when there are 2 adjoining desks.

***Transaction Tops:**
 For 24" tops, the transaction shelf is 12";
 For 30" tops, the transaction shelf is 16".

Installed Pedestal Option: For available installed pedestals, see Work Desks starting on [page 73](#).

Options

Grommet Position	Grommet Style	Installed Pedestals
	<p>\$0 \$26 ea.</p>	<p>Specify installed pedestals, starting on p. 73</p>

Prices

Dimensions	
A	B
24 36	1678
30 36	1727

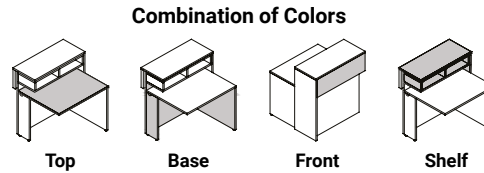
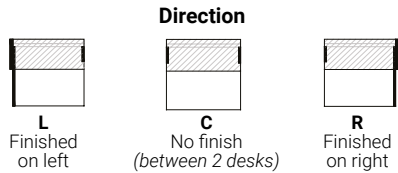
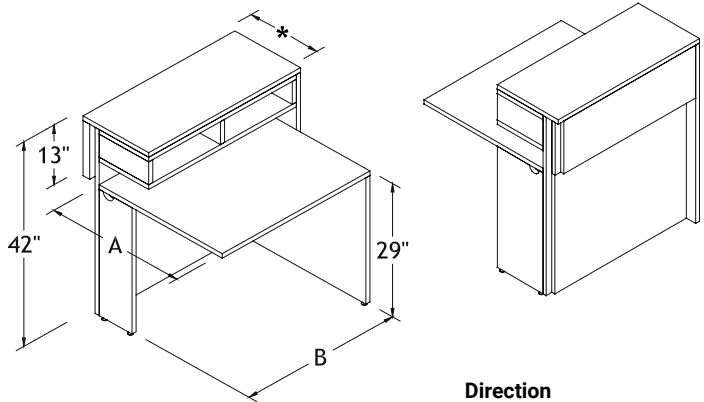
How to Order

RE	option (\$)	AB	option (\$)	SPH ST	L C R	NGR GLR GRR GRL GRC (std)	ELPF CAPF CBPF CCPF (std)	Combination of Colors <i>See the Logiflex Color Chart (p. 11)</i>			
series	pedestal on left	dimensions	pedestal on right	product	direction	grommet position	grommet style	top	base	front	shelf
Example RE	E	2436		SPH ST	L	GRC	CCPF	LL	W	W	LL

Reception Desks

Spheric - Straight Reception Desk with Transaction Shelf and Pigeonhole Unit

SPH SP



Manufacturing Standards

- 1" top;
- Front panels made of high pressure laminate (HPL);
- Centered CCPF grommet;
- 3" aluminum finishing filler when there are 2 adjoining desks.

***Transaction Tops:**
 For 24" tops, the transaction shelf is 12";
 For 30" tops, the transaction shelf is 16".

Installed Pedestal Option: For available installed pedestals, see Work Desks starting on [page 73](#).

Options

Grommet Position	Grommet Style	Installed Pedestals
	<p>\$0 \$26 ea.</p>	<p>Specify installed pedestals, starting on p. 73</p>

Prices

Dimensions	
A	B
24 36	1971
30 36	2052

How to Order

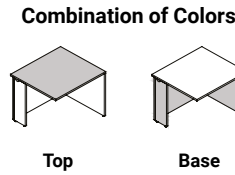
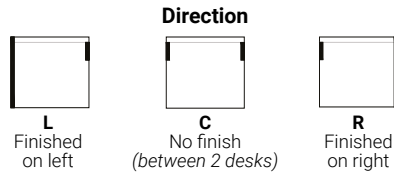
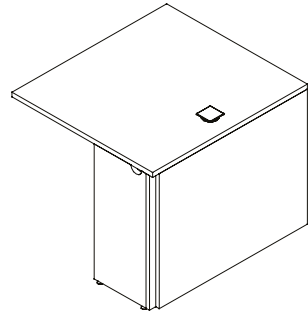
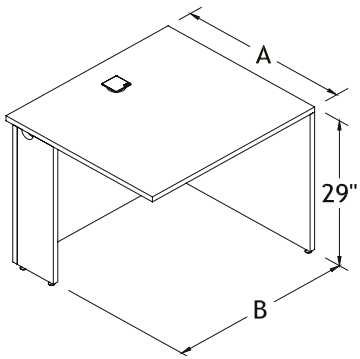
RE	option (\$)	AB	option (\$)	SPH SP	L C R	NGR GLR GRR GRL GRC (std)	ELPF CAPF CBPF CCPF (std)	Combination of Colors <i>See the Logiflex Color Chart (p. 11)</i>			
series	pedestal on left	dimensions	pedestal on right	product	direction	grommet position	grommet style	top	base	front	shelf
Example	RE	E	2436	SPH SP	L	GRC	CCPF	LL	W	W	LL

Reception Desks



Spheric - Straight Consulting Desk

SPH SC



Manufacturing Standards

- 1" top;
- Front panels made of high pressure laminate (HPL);
- Centered CCPF grommet;
- 3" aluminum finishing filler when there are 2 adjoining desks.

Fits with Spherical reception desks:
 - 27" consulting desk fits with a 24" reception desk;
 - 33" consulting desk fits with a 30" reception desk.

Installed Pedestal Option: For available installed pedestals, see Work Desks starting on [page 73](#).

Options

Grommet Position	Grommet Style	Installed Pedestals
	<p>\$0 \$26 ea.</p>	<p>Specify installed pedestals, starting on p. 73</p>

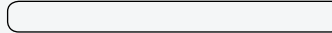
Prices

Dimensions	
A	B
27 36	936
33 36	1099

How to Order

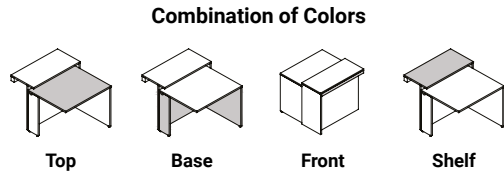
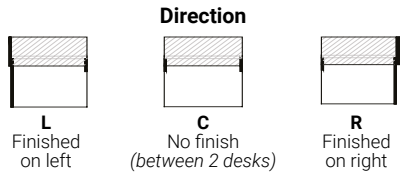
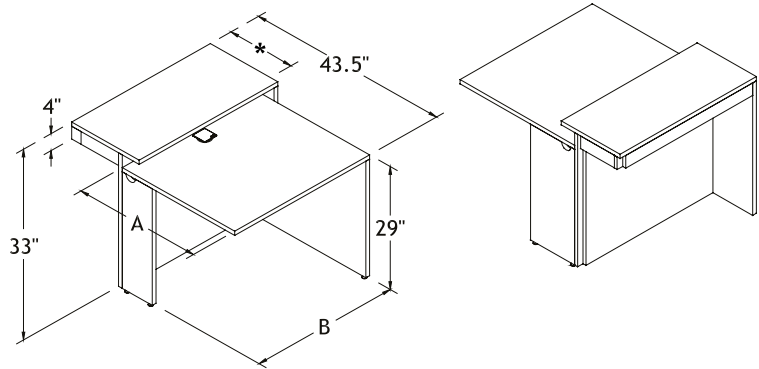
option (\$)	AB	option (\$)	L C R	NGR GLR GRR GRL GRC (std)	ELPF CAPF CBPF CCPF (std)	Combination of Colors <i>See the Logiflex Color Chart (p. 11)</i>		
RE						top	base	
series	pedestal on left	dimensions	pedestal on right	product	direction	grommet position	grommet style	
Example RE	E	2736		SPH SC	L	GRC	CCPF	LL W

Reception Desks



Spheric - Straight Accessible Reception Desk

SPH SA



Manufacturing Standards

- 1" top;
- Front panels made of high pressure laminate (HPL);
- Centered CCPF grommet;
- 3" aluminum finishing filler when there are 2 adjoining desks.

***Transaction Tops:**
 For 24" tops, the transaction shelf is 12";
 For 30" tops, the transaction shelf is 16".

Installed Pedestal Option: For available installed pedestals, see Work Desks starting on [page 73](#).

Options

Grommet Position	Grommet Style	Installed Pedestals
	<p>\$0 \$26 ea.</p>	<p>Specify installed pedestals, starting on p. 73</p>

Prices

Dimensions	
A	B
24 36	1678
30 36	1727

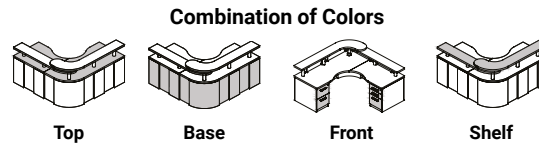
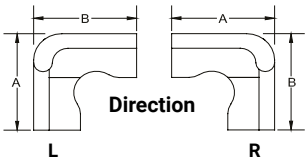
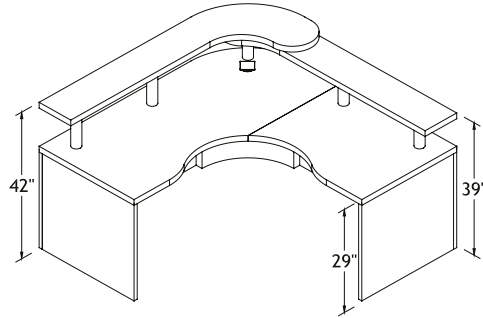
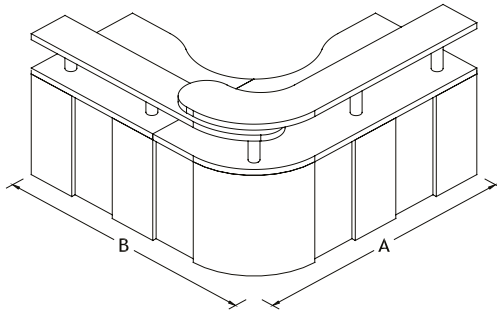
How to Order

RE	option (\$)	AB	option (\$)	SPH SA	L C R	NGR GLR GRR GRL GRC (std)	ELPF CAPF CBPF CCPF (std)	Combination of Colors <i>See the Logiflex Color Chart (p. 11)</i>			
series	pedestal on left	dimensions	pedestal on right	product	direction	grommet position	grommet style	top	base	front	shelf
Example RE	E	2436		SPH SA	L	GRC	CCPF	LL	W	W	LL

Reception Desks

Manhattan - Reception Desk

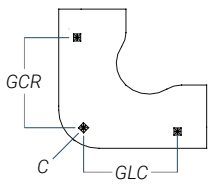
MAN



Combination of Colors

Options

Grommet Position



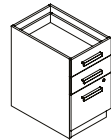
3 grommets (GR3)

Grommet Style



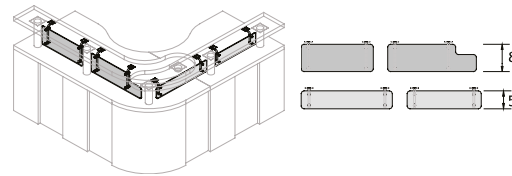
\$0 \$26 ea.

Installed Pedestals



Specify installed pedestals, starting on p. 73

Acrylic Panels



PL
\$2 379

Manufacturing Standards

Reception Desk:

- 1-5/8" desk and shelf tops;
- Rounded corner front panel made of high pressure laminate (HPL);
- 2.5" diameter, Satin Nickel finish brackets;
- Centred CAPF grommet;
- Top depth: 30".

Acrylic Panel Option:

- 1/8" frosted acrylic panels polished on the visible sides.

Pedestals cannot be installed on reception stations that are 66" X 66" because of the curves close to the user space. We suggest mobile pedestals instead.

30" pedestals cannot be installed on reception stations that are less than 84" X 84" because of the curves close to the user space.

Prices

Dimensions	REC	RECL
A B	1-5/8"	1-9/16"
66 66	7228	8670
72 72	7434	8885
78 78	7639	9101
84 84	7850	9363
96 96	8258	9781

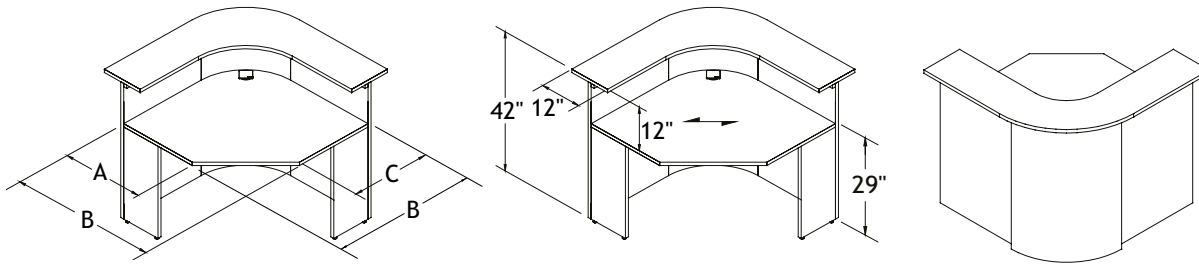
How to Order

REC	RECL	option (\$)	AB	option (\$)	L	R	NGR GLC GCR GR3	ELPF CCPF CBPF	PL	Combination of Colors <i>See the Logiflex Color Chart (p. 11)</i>			
series	pedestal on left	dimensions	pedestal on right	product	direction	grommet position	grommet style	acrylic panel	top	base	front	shelf	
Example REC	E	7878		MAN	L	GRC	CAPF	PL	W	SW	SW	W	

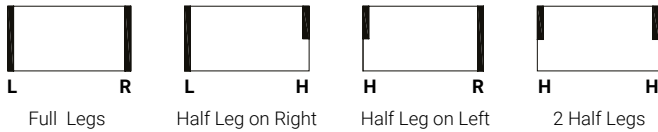
Reception Desks

Reception C - Corner Counter with Straight Cut

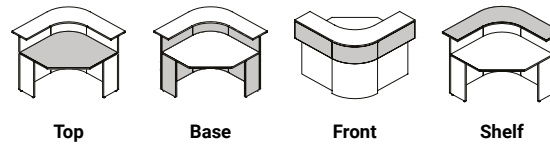
CXT



Direction



Combination of Colors



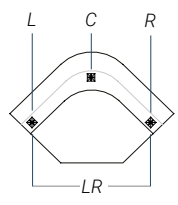
Manufacturing Standards

- Corner reception desk with straight keyboard space;
- 42"H transaction shelf;
- Corner CCPF grommet.

Vertical Panel (PV) option: It is possible to add a 12"H vertical panel on the front of the reception, under the transaction shelf. It is in high pressure laminate (HPL).

Options

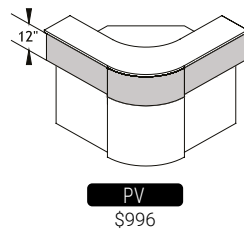
Grommet Position



Grommet Style



Vertical Panel



Prices

Dimensions	RE	REL	REC	RECL
A B C	1"	1-1/16"	1-5/8"	1-9/16"
18 36 18	3766	4245	4043	4448
18 42 18	3829	4390	4182	4659
24 42 24	3829	4390	4182	4659
24 48 24	3991	4661	4438	5000
30 48 30	3991	4661	4438	5000

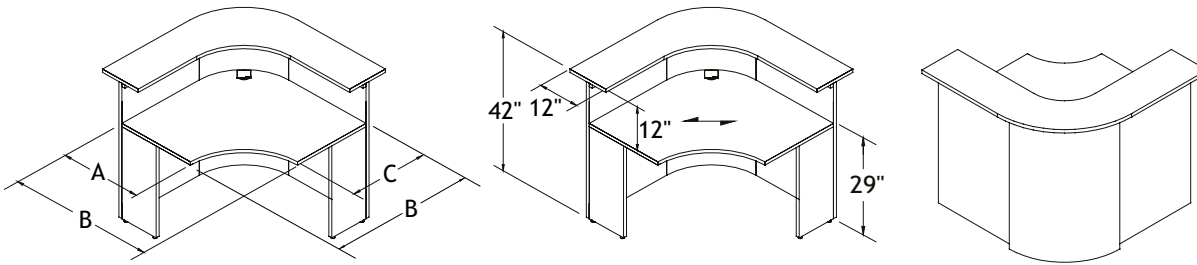
How to Order

RE REL REC RECL	ABC	CXT	LR LH HR HH	NGR GRL GRR GLR GRC (std)	ELPF CAPF CBPF CCPF (std)	PV	Combination of Colors <i>See the Logiflex Color Chart (p. 11)</i>			
series	dimensions	product	direction	grommet position	grommet style	vertical panel	top	base	front	shelf
Example RE	184218	CXT	LR	GRC	CCPF	PV	W	W	W	W

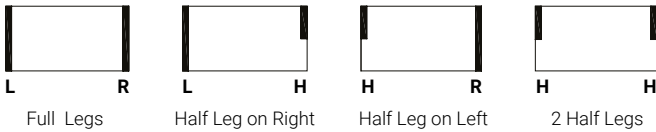
Reception Desks

Reception C - Corner Counter with Curved Cut

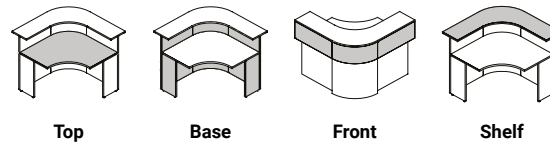
CXX



Direction



Combination of Colors



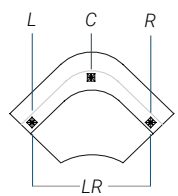
Manufacturing Standards

- Corner reception desk with curved keyboard space;
- 42"H transaction shelf;
- Corner CCPF grommet.

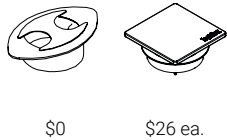
Vertical Panel (PV) option: It is possible to add a 12"H vertical panel on the front of the reception, under the transaction shelf. It is in high pressure laminate (HPL).

Options

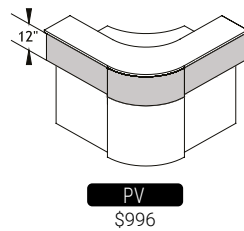
Grommet Position



Grommet Style



Vertical Panel



Prices

Dimensions	RE	REL	REC	RECL
A B C	1"	1-1/16"	1-5/8"	1-9/16"
18 42 18	3940	4513	4300	4780
24 42 24	3940	4513	4300	4780
24 48 24	4104	4786	4558	5124
30 48 30	4104	4786	4558	5124

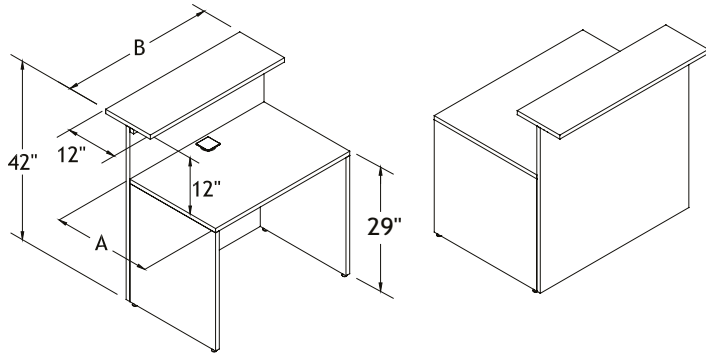
How to Order

RE	REL	REC	RECL	ABC	CXX	LR	LH	HR	HH	NGR	GRL	GRR	GLR	GRC (std)	ELPF	CAPF	CBPF	CCPF (std)	PV	Combination of Colors
																				See the Logiflex Color Chart (p. 11)
series	dimensions	product	direction																	
Example	RE	184218	CXX	LR	GRC	CCPF	PV													

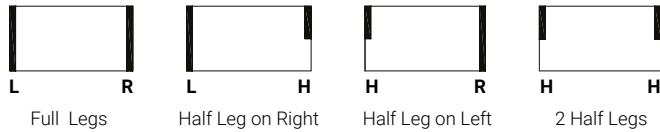
Reception Desks

Reception C - Rectangular Reception Desk

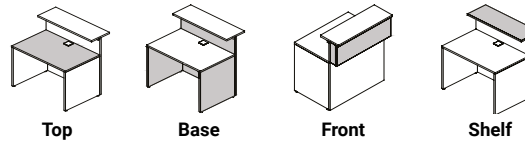
CTB



Direction



Combination of Colors



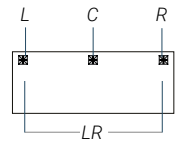
Manufacturing Standards

- Rectangular reception desk;
- 42"H transaction shelf;
- Centered CCPF grommet for desks less than 48", left and right grommets for desks of 48" and up.

Vertical Panel (PV) option: It is possible to add a 12"H vertical panel on the front of the reception, under the transaction shelf. It is in high pressure laminate (HPL).

Options

Grommet Position

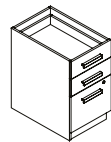


Grommet Style



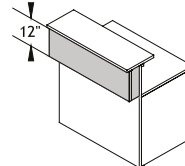
\$0 \$26 ea.

Installed Pedestals



Specify installed pedestals, starting on p. 73

Vertical Panel



PV \$226

Prices

Dimensions	RE	REL	REC	RECL
A B	1"	1-1/16"	1-5/8"	1-9/16"
18 36	947	1168	1114	1321
18 42	990	1238	1177	1391
18 48	1031	1294	1235	1478
18 54	1132	1404	1337	1658
18 60	1205	1515	1442	1693
24 36	996	1248	1190	1403
24 42	1050	1326	1264	1499
24 48	1131	1440	1370	1636
24 54	1214	1544	1473	1793
24 60	1265	1634	1556	1853

30 36	1050	1327	1265	1484
30 42	1111	1415	1349	1608
30 48	1236	1582	1511	1793
30 54	1298	1685	1604	1931
30 60	1326	1756	1672	2016

How to Order

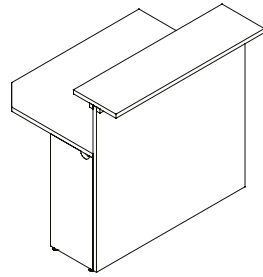
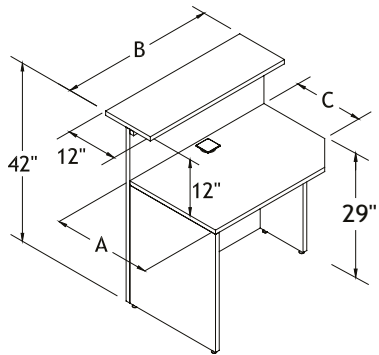
RE REL REC RECL	option (\$)	AB	option (\$)	CTB	LR LH HR HH	NGR GRL GRR GLR GRC (std)	ELPF CAPF CBPF CCPF (std)	PV	Combination of Colors <i>See the Logiflex Color Chart (p. 11)</i>			
series	pedestal on left	dimensions	pedestal on right	product	direction	grommet position	grommet style	vertical panel	top	base	front	shelf

Example RE E 2460 CTB LR GRC CCPF PV W W W W

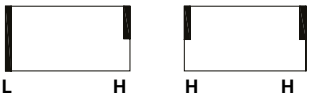
Reception Desks

Reception C - Left Reception Return with Corner Cut on Right

LCTTB



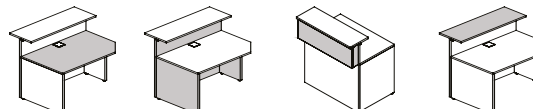
Direction



Half Leg on Right

2 Half Legs

Combination of Colors



Top

Base

Front

Shelf

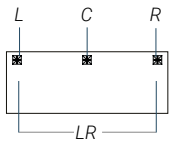
Manufacturing Standards

- Left reception return with corner cut on right;
- 42"H transaction shelf;
- Centered CCPF grommet for desks less than 48", left and right grommets for desks of 48" and up.

Vertical Panel (PV) option: It is possible to add a 12"H vertical panel on the front of the reception, under the transaction shelf. It is in high pressure laminate (HPL).

Options

Grommet Position



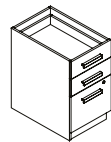
Grommet Style



\$0

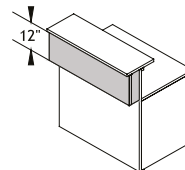
\$26 ea.

Installed Pedestals



Specify installed pedestals, starting on p. 73

Vertical Panel



PV

\$226

Prices

Dimensions	RE	REL	REC	RECL
A B C	1"	1-1/16"	1-5/8"	1-9/16"
24 36 18	1061	1317	1252	1470
24 42 18	1114	1395	1327	1567
24 48 18	1195	1506	1435	1703
24 54 18	1280	1611	1535	1861
24 60 18	1328	1701	1619	1920

30 36 24	1114	1397	1328	1555
30 42 24	1172	1473	1403	1677
30 48 24	1298	1652	1573	1861
30 54 24	1362	1756	1672	1998
30 60 24	1390	1821	1735	2081

36 36 30	1238	1546	1474	1677
36 42 30	1308	1661	1582	1849
36 48 30	1381	1778	1695	2021
36 54 30	1452	1895	1806	2167
36 60 30	1497	1972	1878	2270

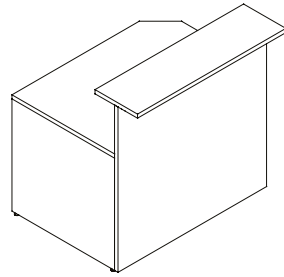
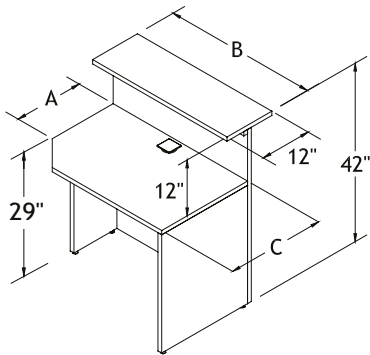
How to Order

RE REL REC RECL	option (\$)	ABC	LH HH	NGR GRL GRR GLR GRC (std)	ELPF CAPF CBPF CCPF (std)	PV	Combination of Colors <i>See the Logiflex Color Chart (p. 11)</i>				
series	pedestal on left	dimensions	product	direction	grommet position	grommet style	vertical panel	top	base	front	shelf
RE	E	246018	LCTTB	LH	GRC	CCPF	PV	W	W	W	W

Reception Desks

Reception C - Right Reception Return with Corner Cut on Left

RCTTB



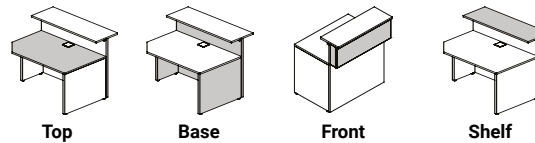
Direction



Half Leg on Left

2 Half Legs

Combination of Colors



Top

Base

Front

Shelf

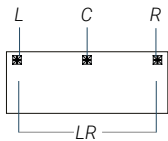
Manufacturing Standards

- Right reception return with corner cut on left;
- 42" high transaction shelf;
- Centered CCPF grommet for desks less than 48", left and right grommets for desks of 48" and up.

Vertical Panel (PV) option: It is possible to add a 12"H vertical panel on the front of the reception, under the transaction shelf. It is in high pressure laminate (HPL).

Options

Grommet Position



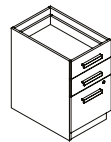
Grommet Style



\$0

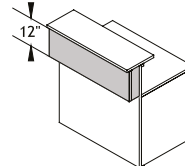
\$26 ea.

Installed Pedestals



Specify installed pedestals, starting on p. 73

Vertical Panel



PV

\$226

Prices

Dimensions	RE	REL	REC	RECL
A B C	1"	1-1/16"	1-5/8"	1-9/16"
18 36 24	1061	1317	1252	1470
18 42 24	1114	1395	1327	1567
18 48 24	1195	1506	1435	1703
18 54 24	1280	1611	1535	1861
18 60 24	1328	1701	1619	1920

24 36 30	1114	1397	1328	1555
24 42 30	1172	1473	1403	1677
24 48 30	1298	1652	1573	1861
24 54 30	1362	1756	1672	1998
24 60 30	1390	1821	1735	2081

30 36 36	1238	1546	1474	1677
30 42 36	1308	1661	1582	1849
30 48 36	1381	1778	1695	2021
30 54 36	1452	1895	1806	2167
30 60 36	1497	1972	1878	2270

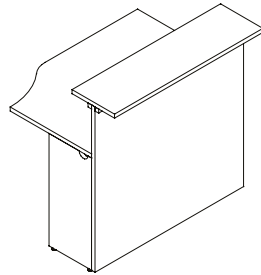
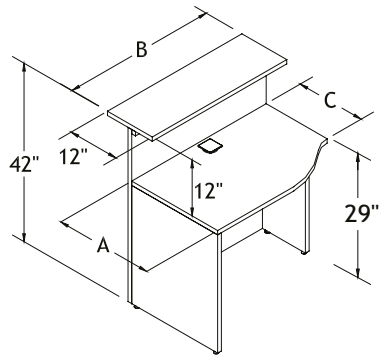
How to Order

RE	REL	REC	RECL	ABC	option (\$)	HR	HH	NGR	GRL	GRR	GLR	GRC (std)	ELPF	CAPF	CBPF	CCPF (std)	PV	Combination of Colors <i>See the Logiflex Color Chart (p. 11)</i>				
																			top	base	front	shelf
series	dimensions	pedestal on right	product	direction	grommet position	grommet style	vertical panel					top	base	front	shelf							
Example	RE	186024	E	RCTTB	HR	GRC	CCPF	PV					W	W	W	W						

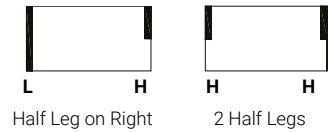
Reception Desks

Reception C - Left Reception Return with Curved Cut on Right

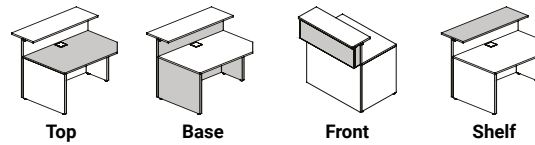
LCVTB



Direction



Combination of Colors



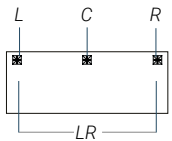
Manufacturing Standards

- Left reception return with curved cut on right;
- 42"H transaction shelf;
- Centered CCPF grommet for desks less than 48", left and right grommets for desks of 48" and up.

Vertical Panel (PV) option: It is possible to add a 12"H vertical panel on the front of the reception, under the transaction shelf. It is in high pressure laminate (HPL).

Options

Grommet Position

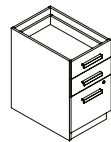


Grommet Style



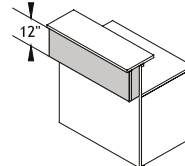
\$0 \$26 ea.

Installed Pedestals



Specify installed pedestals, starting on p. 73

Vertical Panel



PV
\$226

Prices

Dimensions	RE	REL	REC	RECL
A B C	1"	1-1/16"	1-5/8"	1-9/16"
24 36 18	1061	1317	1252	1470
24 42 18	1114	1395	1327	1567
24 48 18	1195	1506	1435	1703
24 54 18	1280	1611	1535	1861
24 60 18	1328	1701	1619	1920
<hr/>				
30 36 24	1114	1397	1328	1555
30 42 24	1172	1473	1403	1677
30 48 24	1298	1652	1573	1861
30 54 24	1362	1756	1672	1998
30 60 24	1390	1821	1735	2081
<hr/>				
36 36 30	1238	1546	1474	1677
36 42 30	1308	1661	1582	1849
36 48 30	1381	1778	1695	2021
36 54 30	1452	1895	1806	2167
36 60 30	1497	1972	1878	2270

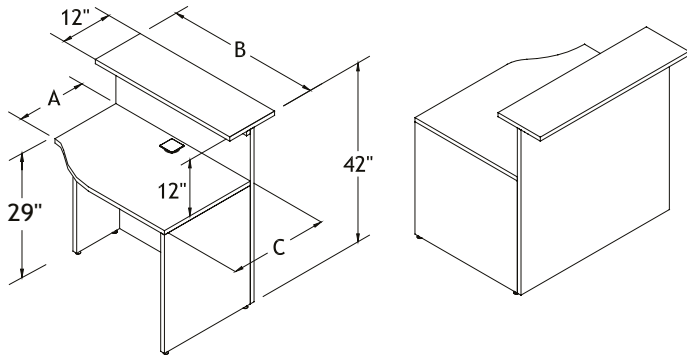
How to Order

RE	REL	REC	RECL	option (\$)	ABC	LH	HH	NGR	GRL	GRR	GLR	GRC (std)	ELPF	CAPF	CBPF	CCPF (std)	PV	Combination of Colors <i>See the Logiflex Color Chart (p. 11)</i>			
series	pedestal on left	dimensions	product	direction	grommet position	grommet style	vertical panel	top	base	front	shelf										
RE	E	246018	LCVTB	LH	GRC	CCPF	PV	W	W	W	W										

Reception Desks

Reception C - Right Reception Return with Curved Cut on Left

RCVTB



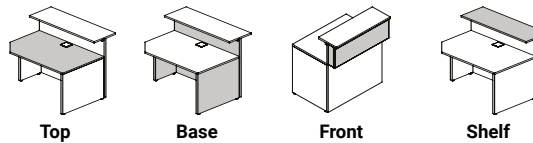
Direction



Half Leg on Left

2 Half Legs

Combination of Colors



Top

Base

Front

Shelf

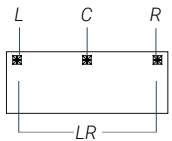
Manufacturing Standards

- Right reception return with curved cut on left;
- 42" high transaction shelf;
- Centered CCPF grommet for desks less than 48", left and right grommets for desks of 48" and up.

Vertical Panel (PV) option: It is possible to add a 12"H vertical panel on the front of the reception, under the transaction shelf. It is in high pressure laminate (HPL).

Options

Grommet Position



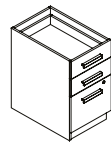
Grommet Style



\$0

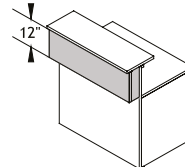
\$26 ea.

Installed Pedestals



Specify installed pedestals, starting on p. 73

Vertical Panel



PV
\$226

Prices

Dimensions	RE	REL	REC	RECL
A B C	1"	1-1/16"	1-5/8"	1-9/16"
18 36 24	1061	1317	1252	1470
18 42 24	1114	1395	1327	1567
18 48 24	1195	1506	1435	1703
18 54 24	1280	1611	1535	1861
18 60 24	1328	1701	1619	1920

24 36 30	1114	1397	1328	1555
24 42 30	1172	1473	1403	1677
24 48 30	1298	1652	1573	1861
24 54 30	1362	1756	1672	1998
24 60 30	1390	1821	1735	2081

30 36 36	1238	1546	1474	1677
30 42 36	1308	1661	1582	1849
30 48 36	1381	1778	1695	2021
30 54 36	1452	1895	1806	2167
30 60 36	1497	1972	1878	2270

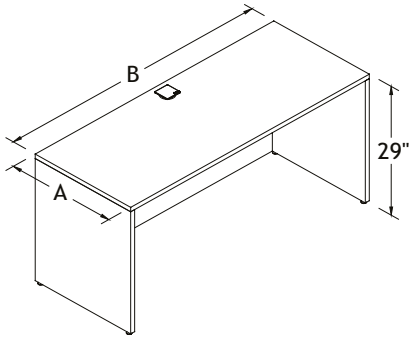
How to Order

RE	REL	REC	RECL	ABC	option (\$)	HR	HH	NGR	GRL	GRR	GLR	GRC (std)	ELPF	CAPF	CBPF	CCPF (std)	PV	Combination of Colors <i>See the Logiflex Color Chart (p. 11)</i>					
																			top	base	front	shelf	
series	dimensions	pedestal on right	product	direction																			
Example	RE	186024	E	RCVTB		HR	HH	GRC					CCPF				PV		W	W	W	W	

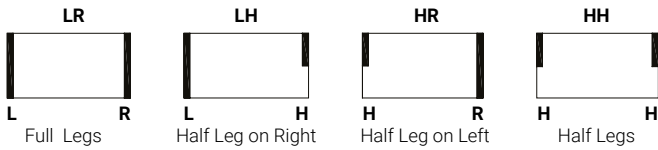
Work Desks

Lateral Tables

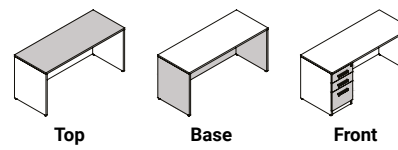
TL



Leg Bases



Combination of Colors



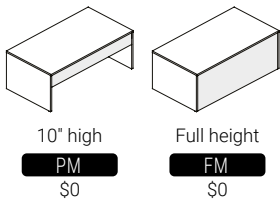
Manufacturing Standards

- 1" thick laminate top and legs;
- Centered CCPF grommet;
- Flush modesty.

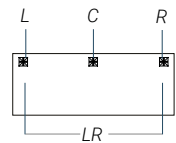
Modesties: If choice of modesty is not specified, the standard (FM) will be used, PM modesties are available at no extra charge.

Options

Modesty



Grommet Position



Grommet Style



Prices

Dimensions	RE	REL	REC	RECL
A B	1"	1-1/16"	1-5/8"	1-9/16"
24 30	629	746	709	839
24 36	680	818	778	931
24 42	709	865	824	996
24 48	752	927	882	1077
24 54	767	961	916	1130
24 60	800	1013	963	1199
24 66	833	1065	1013	1272
24 72	863	1114	1059	1340
24 78	891	1160	1106	1405

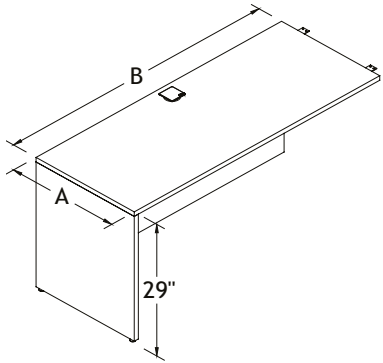
How to Order

RE	REL	REC	RECL	AB	TL	LH	HR	HH	PM	NGR	ELPF	Combination of Colors		
						LR (std)			FM (std)	GRC (std)	CCPF (std)	See the Logiflex Color Chart (p. 11)		
												top	base	front
Example	RE	2472	TL	LR	PM	GRC	CCPF	SW	W	SW				

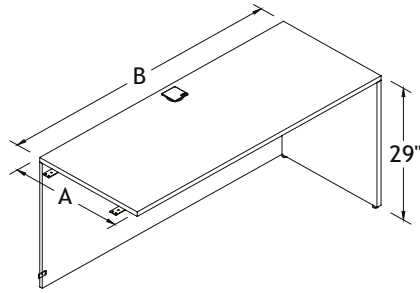
Work Desks

Returns

L29



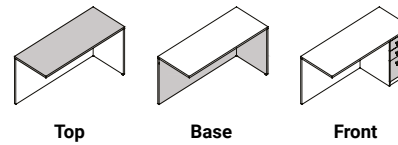
R29



Manufacturing Standards

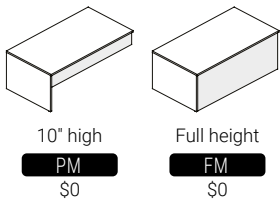
- 1" thick laminate top and legs;
- Centered CCPF grommet;
- Flush plates;
- Flush modesty;
- Height: 29".

Combination of Colors

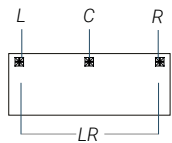


Options

Modesty



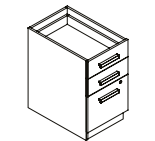
Grommet Position



Grommet Style



Installed Pedestals



Specify installed pedestals, starting on p. 73

Prices

Dimensions	RE	REL	REC	RECL
A B	1"	1-1/16"	1-5/8"	1-9/16"
24 30	590	708	674	800
24 36	615	751	714	863
24 42	637	792	753	922
24 48	669	842	801	993
24 54	709	900	858	1071
24 60	752	961	916	1151

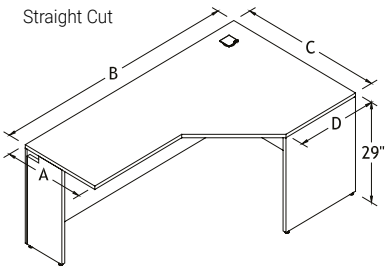
How to Order

RE REL REC RECL	AB	option (\$)	L29 R29	PM FM (std)	NGR GRL GRR GLR GRC (std)	ELPF CAPF CBPF CCPF (std)	Combination of Colors See the Logiflex Color Chart (p. 11)		
series	dimensions	pedestal	product	modesty	grommet position	grommet style	top	base	front
RE	2448	E	L29	PM	GRC	CCPF	SW	W	SW

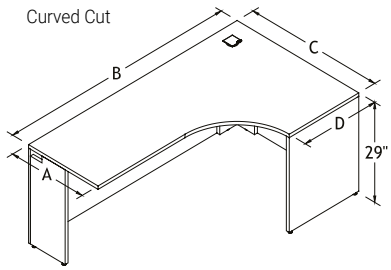
Work Desks

Left Extended Corner Tables

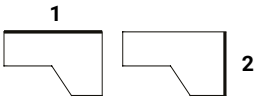
S L



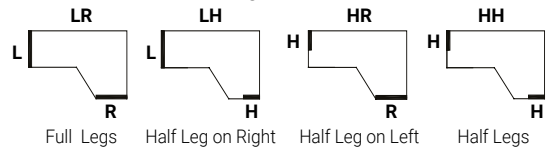
A L



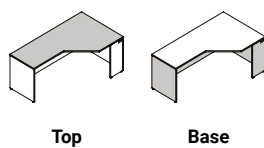
Modesties



Leg Bases



Combination of Colors



Manufacturing Standards

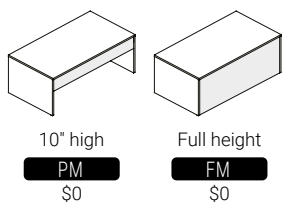
- Delivered disassembled;
- 1" thick laminate top and legs;
- Corner CCPF grommet;
- Flush modesty.

Modesties: If choice of modesty is not specified, the standard (FM) will be used, PM modesties are available at no extra charge.

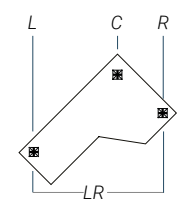
Installed Pedestal Option: The pedestal will be installed on the extended side of the desks (on left).

Options

Modesty



Grommet Position



Grommet Style



Prices

Dimensions	RE	REL	REC	RECL
A B C D	1"	1-1/16"	1-5/8"	1-9/16"
24 60 42 24	1408	1781	1697	2109
24 66 42 24	1460	1869	1778	2231
24 72 42 24	1541	1981	1888	2377
24 78 42 24	1623	2097	1998	2525

How to Order

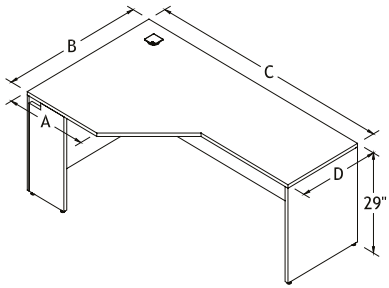
RE REL REC RECL	ABCD	S A	L LR (std)	LH HR HH LR (std)	PM FM (std)	PM FM (std)	NGR GRL GRR GLR GRC (std)	ELPF CAPF CBPF CCPF (std)	Combination of Colors <i>See the Logiflex Color Chart (p. 11)</i>		
series	dimensions	product	direction	direction	modesty 1	modesty 2	grommet position	grommet style	top	base	front
RE	24724224	A	L	LR	PM	PM	GRC	CCPF	SW	W	SW

Work Desks

Right Extended Corner Tables

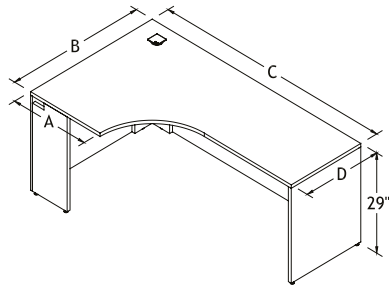
S R

Straight Cut

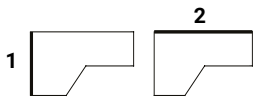


A R

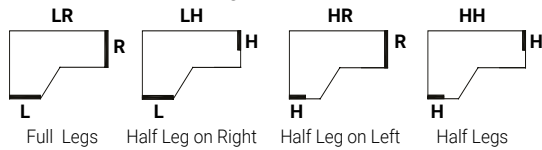
Curved Cut



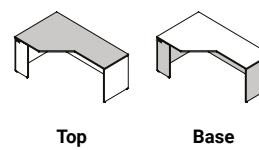
Modesties



Leg Bases



Combination of Colors



Manufacturing Standards

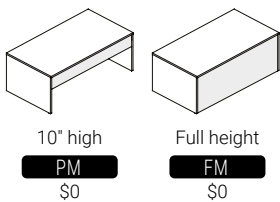
- Delivered disassembled;
- 1" thick laminate top and legs;
- Corner CCPF grommet;
- Flush modesty.

Modesties: If choice of modesty is not specified, the standard (FM) will be used, PM modesties are available at no extra charge.

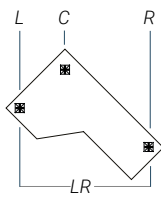
Installed Pedestal Option: The pedestal will be installed on the extended side of the desks (on right).

Options

Modesty



Grommet Position



Grommet Style



Prices

Dimensions	RE	REL	REC	RECL
A B C D	1"	1-1/16"	1-5/8"	1-9/16"
24 42 60 24	1408	1781	1697	2109
24 42 66 24	1460	1869	1778	2231
24 42 72 24	1541	1981	1888	2377
24 42 78 24	1623	2097	1998	2525

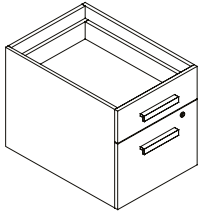
How to Order

RE REL REC RECL	ABCD	S A	R	LH HR HH LR (std)	PM FM (std)	PM FM (std)	NGR GRL GRR GLR	ELPF CAPF CBPF	Combination of Colors See the Logiflex Color Chart (p. 11)		
series	dimensions	product	direction	direction	modesty 1	modesty 2	grommet position	grommet style	top	base	front
RE	24427224	A	R	LR	PM	PM	GRC	CCPF	SW	W	SW

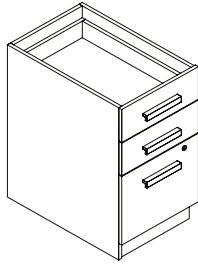
Storage Furniture

Installed Pedestals

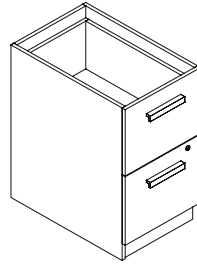
D



E



F



Manufacturing Standards

- Factory installed pedestals without tops;
- D = 1 utility drawer and 1 file drawer;
- E = 2 utility drawers and 1 file drawer;
- F = 2 file drawers;
- H052CHR or H052SN handles according to collection;
- Satin nickel lock.

Width : Letter size - 15-3/4"

Width : Legal size - 18-3/4"

Depth is adjusted to match furniture ordered.

How to Order:

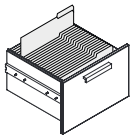
Add the pedestal code desired to the desk code on which it has to be installed following the "How to Order" instructions on the desk page.

Handles: For handles other than H052, please choose from the Logiflex list at no extra charge.

Prices

Code	Front Finish	
	Std	Hg
D	686	719
DX	796	833
E	935	985
EX	1048	1093
F	910	957
FX	1024	1071

Options



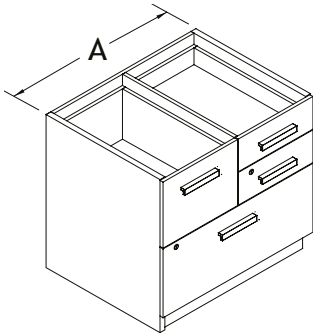
Legal Size

X

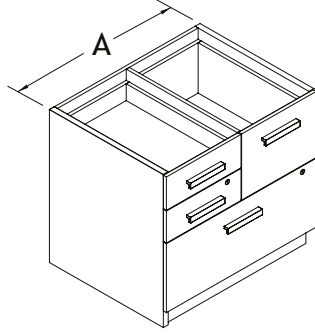
Storage Furniture

Installed Pedestals

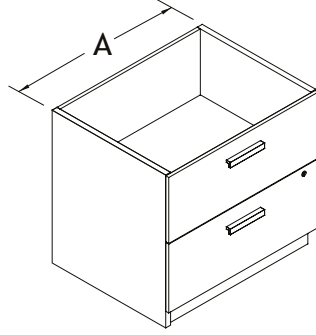
CBCL30



BCCL30



CL30



Manufacturing Standards

- Factory installed pedestals without tops;
- CBCL/BCCL= 2 utility drawers, 1 file drawer and 1 lateral file drawer;
- CL= 2 lateral file drawers;
- H052CHR or H052SN handles according to collection;
- Satin nickel lock.

Depth is adjusted to match furniture ordered.

How to Order:

Add the pedestal code desired to the desk code on which it has to be installed following the "How to Order" instructions on the desk page.

Handles: For handles other than H052, please choose from the Logiflex list at no extra charge.

Prices

CBCL30/BCCL30

Code	Front Finish	
	Std.	Hg.
CBCL30	1507	1597
BCCL30	1507	1597

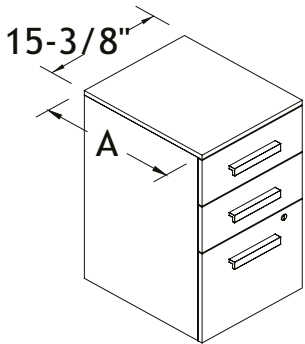
CL30

Code	Front Finish	
	Std.	Hg.
CL30	1037	1130

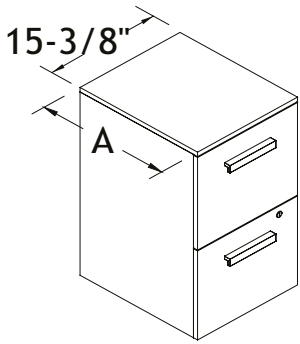
Storage Furniture

Mobile E and F Pedestals - Letter Size

MOBE



MOBF



Manufacturing Standards

- Delivered with the casters disassembled;
- E = 2 utility drawers and 1 letter size file drawer;
- F = 2 letter size file drawers;
- H052CHR handles;
- Satin nickel lock;
- 5 casters (not visible);
- Height: 27-3/8".

Handles: For handles other than H052CHR standard, please choose from the Logiflex list at no extra charge.

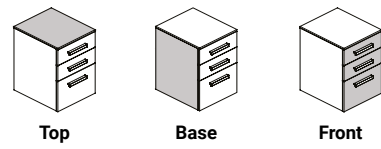
Counterweight: A 45 lb counterweight is included for pedestals that are 18" deep.

Prices

Dimensions A Code	Front Finish	
	Std	Hg
18 MOBE	1033	1079
23 MOBE	1033	1079

18 MOBF	1010	1055
23 MOBF	1010	1055

Combination of Colors



How to Order

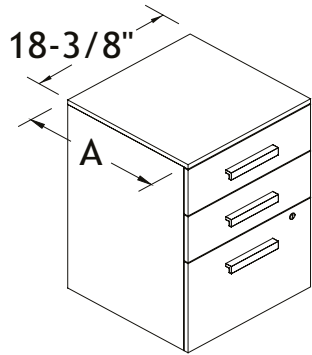
Combination of Colors
See the Logiflex Color Chart (p. 11)

RE	A	MOB	E F	Combination of Colors		
series	dimensions	code	pedestal	top	base	front
Example RE	18	MOB	E	W	W	SW

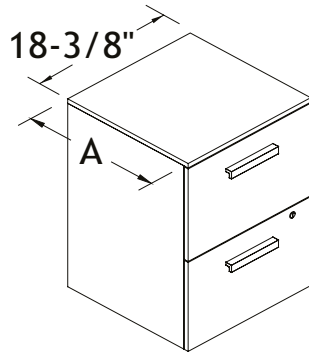
Storage Furniture

Mobile E and F Pedestals - Legal Size

MOBXE



MOBXF



Manufacturing Standards

- Delivered with the casters disassembled;
- E = 2 utility drawers and 1 legal size file drawer;
- F = 2 legal size file drawers;
- H052CHR handles;
- Satin nickel lock;
- 5 casters (not visible);
- Height: 27-3/8".

Handles: For handles other than H052CHR standard, please choose from the Logiflex list at no extra charge.

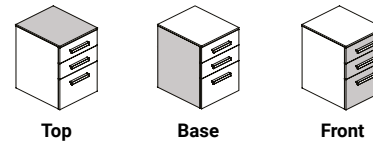
Counterweight: A 45 lb counterweight is included for pedestals that are 18" deep.

Prices

Dimensions A Code	Front Finish	
	Std	Hg
18 MOBXE	1154	1210
23 MOBXE	1154	1210

18 MOBXF	1130	1188
23 MOBXF	1130	1188

Combination of Colors



How to Order

Combination of Colors
See the Logiflex Color Chart (p. 11)

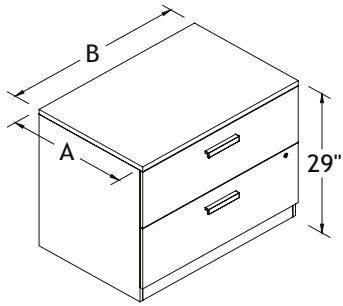
RE	A	MOBX	E F			
series	dimensions	code	pedestal	top	base	front

Example RE 18 MOBX E W W SW

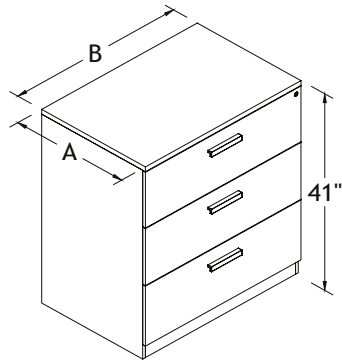
Storage Furniture

Lateral File Cabinets

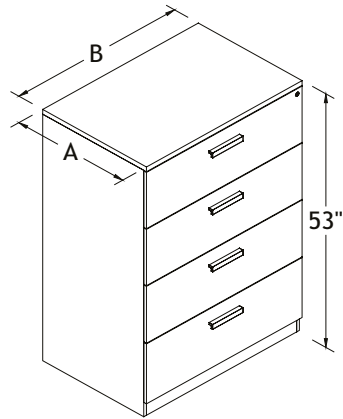
CL2



CL3



CL4



Manufacturing Standards

- 2, 3 or 4 legal size lateral filing drawers;
- H052CHR handles;
- Satin nickel locks;
- Crossbars;
- Counterweight (CL2 only).

Handles: For handles other than H052CHR standard, please choose from the Logiflex list at no extra charge.

Prices

CL2 - 2 lateral filing drawers

Dimensions A B	Front Finish	
	Std	Hg
24 30	1285	1386
24 36	1383	1503

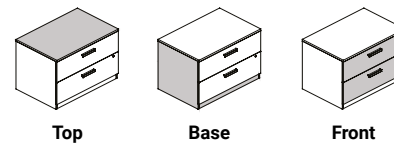
CL3 - 3 lateral filing drawers

Dimensions A B	Front Finish	
	Std	Hg
24 30	1912	2057
24 36	2000	2175

CL4 - 4 lateral filing drawers

Dimensions A B	Front Finish	
	Std	Hg
24 30	2494	2685
24 36	2603	2832

Combination of Colors

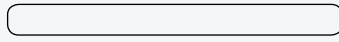


How to Order

RE	AB	CL	2 3 4	Combination of Colors <i>See the Logiflex Color Chart (p. 11)</i>		
series	dimensions	code	drawers	top	base	front

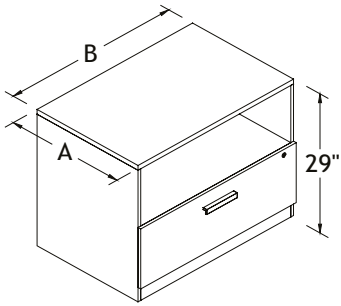
Example RE 2436 CL 3 W W SW

Storage Furniture

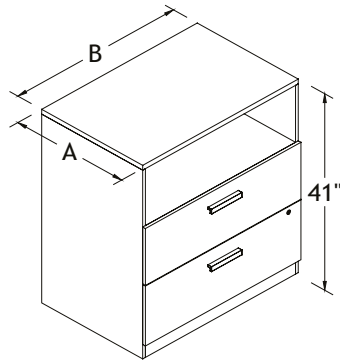


Multiple Units

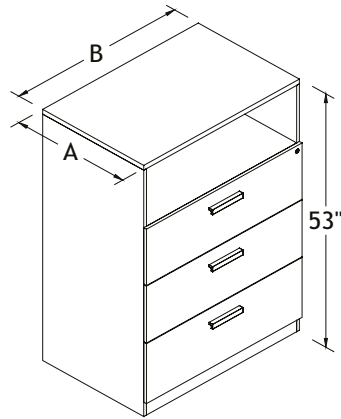
UC1



UC2



UC3



Manufacturing Standards

- Open storage with 11" interior height;
- 1, 2 or 3 lateral filing drawers;
- H052CHR handles;
- Counterweight (UC1 and UC2)
- Satin nickel lock.

Handles: For handles other than H052CHR standard, please choose from the Logiflex list at no extra charge.

Prices

UC1 - 1 open storage, 1 lateral filing drawer

Dimensions A B	Front Finish	
	Std	Hg
24 30	1210	1254
24 36	1258	1309

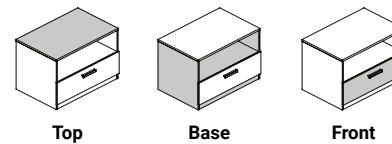
UC2 - 1 open storage, 2 lateral filing drawers

Dimensions A B	Front Finish	
	Std	Hg
24 30	1772	1877
24 36	1862	1988

UC3 - 1 open storage, 3 lateral filing drawers

Dimensions A B	Front Finish	
	Std	Hg
24 30	2266	2430
24 36	2397	2597

Combination of Colors

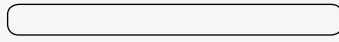


How to Order

Combination of Colors
See the Logiflex Color Chart (p. 11)

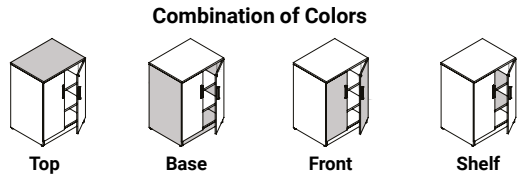
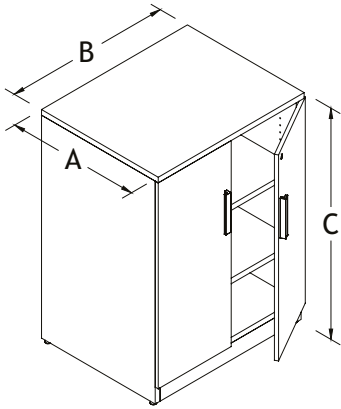
RE	AB	UC	1 2 3	top	base	front
series	dimensions	code	drawers			
Example RE	2436	UC	2	W	W	SW

Storage Furniture



Cabinets with 2 Laminate Doors

AR



Manufacturing Standards

- 2 laminate doors;
- H052CHR handles;
- Satin nickel lock;
- Adjustable shelves;
- Shelf brackets;
- 5/8" laminate back.

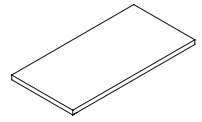
Adjustable Shelves:
 29" high: 1 adjustable shelf;
 41" high: 2 adjustable shelves;
 53" high: 3 adjustable shelves.

Handles: For handles other than H052CHR standard, please choose from the Logiflex list at no extra charge.

Additional adjustable shelves (SH): see Appendix D for prices, p. 13

Options

Adjustable Shelves



Prices

Dimensions			Front Finish	
A	B	C	Std	Hg
24	30	29	1082	1180
24	36	29	1152	1268
<hr/>				
24	30	41	1287	1430
24	36	41	1357	1525
<hr/>				
24	30	53	1492	1679
24	36	53	1565	1787

How to Order

Combination of Colors
 See the Logiflex Color Chart (p. 11)

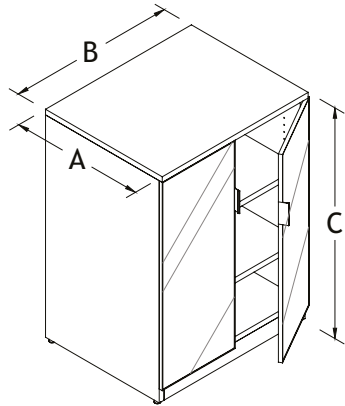
ABC		Combination of Colors						
RE	AR	Top	Base	Front	Shelf			
series	dimensions	code	top	base	front	shelf		

Example RE 243641 AR W W SW W

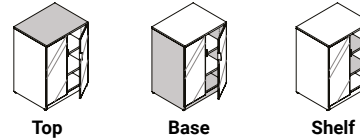
Storage Furniture

Cabinets with 2 Glass Doors

AR - Glass Doors



Combination of Colors



Manufacturing Standards

- Aluminum-frame doors with white glass (V4) and built-in aluminum handles;
- Soft-close doors;
- Adjustable shelves;
- Shelf brackets;
- 5/8" laminate back.

Adjustable Shelves:

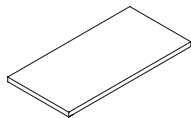
- 29" high: 1 adjustable shelf;
- 41" high: 2 adjustable shelves;
- 53" high: 3 adjustable shelves.

Glass: If the choice of glass is not specified, the standard is white glass (V4). For other choices of glass, consult the Logiflex color chart.

Additional adjustable shelves (SH): see Appendix D for prices, p. 13

Options

Adjustable Shelves



Prices

Dimensions			VS	PL	V4
A	B	C			
24	30	29	1799	1818	2148
24	36	29	1891	1914	2311
24	30	41	2102	2134	2599
24	36	41	2224	2261	2816
24	30	53	2567	2609	3210
24	36	53	2712	2764	3482

How to Order

RE	ABC	AR	VS PL V4 (std)	Combination of Colors <i>See the Logiflex Color Chart (p. 11)</i>			
series	dimensions	code	glass (p. 11)	top	base	shelf	
Example	RE	243641	AR	V4	W	W	W

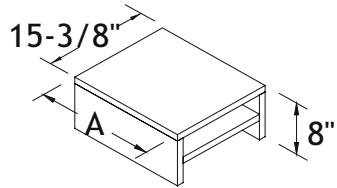
Storage Furniture



Pigeonhole Units

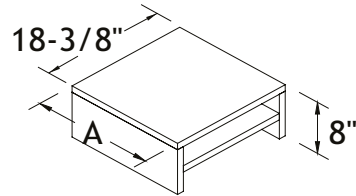
PG

Letter Size



PGX

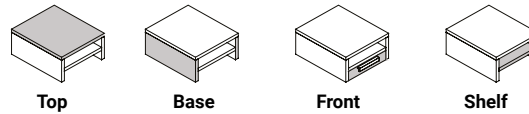
Legal Size



Manufacturing Standards

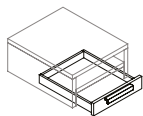
- 3" interior height in each pigeonhole;
- Frame is 1" laminate;
- Shelf and back 5/8" laminate.

Combination of Colors



Options

Drawer



DR
\$316

Prices

Dimensions

A	Code
16 PG	464
16 PGX	485

How to Order

	A	PG PGX	DR	Combination of Colors <i>See the Logiflex Color Chart (p. 11)</i>			
RE	16			top	base	front	shelf
series	dimensions	code	drawer				

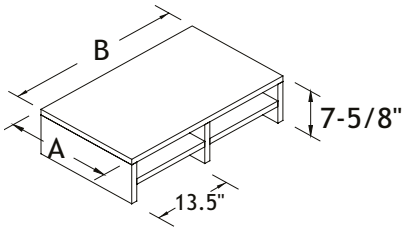
Example RE 16 PG DR SW SW W-H SW

Storage Furniture

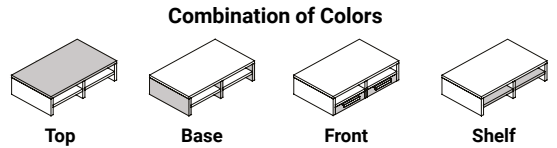
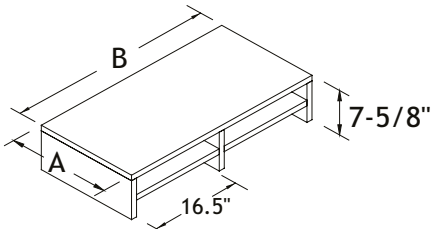


Pigeonhole Units

PG30



PG36



Manufacturing Standards

- 3" interior height in each pigeonhole;
- Frame is 1" laminate;
- Shelf and back 5/8" laminate.

Options

Drawer

DR
\$634

Prices

Dimensions	
A	B
16 30	800
16 36	837

How to Order

Combination of Colors
See the Logiflex Color Chart (p. 11)

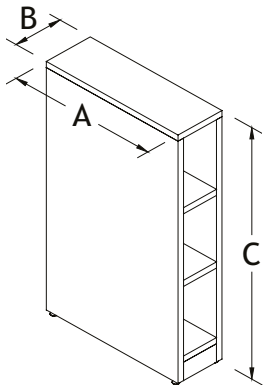
RE	A	PG	B	DR	top	base	front	shelf
series	dimensions	code	dimensions	drawer				
Example RE	16	PG	30	DR	SW	SW	W-H	SW

Storage Furniture



Vertical Pigeonhole Units

PGV



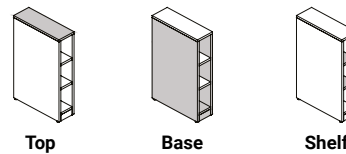
Manufacturing Standards

- On levelers;
- Frame is 1" laminate;
- 2 fixed shelves 1" laminate;
- Back 5/8" laminate.

Prices

Dimensions		
A	B	C
24	08	41
		795

Combination of Colors



Top

Base

Shelf

How to Order

Combination of Colors
 See the Logiflex Color Chart (p. 11)

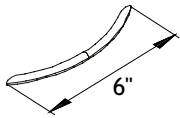
RE	ABC	PGV			
series	dimensions	code	top	base	shelf
Example RE	240841	PGV	SW	SW	W

Accessories

Handles

HJA

Handle

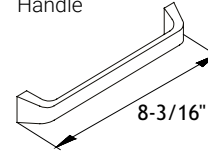


- 6" metal handle;
- 5-1/32" (128mm) center to center.

Code	\$	Description
HJA	14	<i>Satin Nickel</i>
HJAB	14	<i>Black</i>

H070

Handle

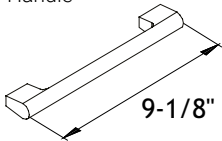


- 8-3/16" metal handle;
- 7-1/2" (190.5mm) center to center.

Code	\$	Description
H070BN	14	<i>Brushed Nickel</i>
H070CHR	14	<i>Chrome</i>

H011

Handle

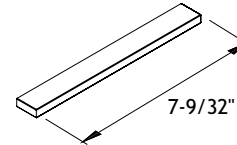


- 9-1/8" metal handle;
- 8-13/16" (224mm) center to center.

Code	\$	Description
H011	14	<i>Satin Nickel</i>

H071

Handle

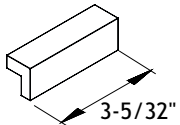


- 7-9/32" metal handle;
- 6-5/16" (160.338mm) center to center.

Code	\$	Description
H071CHR	14	<i>Chrome</i>
H071BN	14	<i>Brushed Nickel</i>
H071BL	14	<i>Black</i>
H071WH	14	<i>White</i>

H051

Handle

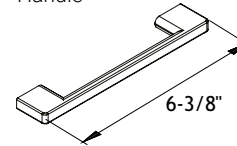


- 3-5/32" metal handle;
- 2-17/32" (64mm) center to center.

Code	\$	Description
H051CHR	14	<i>Chrome</i>
H051SN	14	<i>Satin Nickel</i>
H051BL	14	<i>Black</i>
H051WH	14	<i>White</i>

H072

Handle

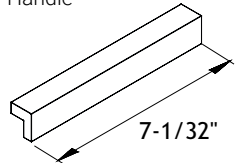


- 6-3/8" metal handle;
- 5-1/32" (127.8mm) center to center.

Code	\$	Description
H072CHR	14	<i>Chrome</i>
H072BL	14	<i>Black</i>
H072WH	14	<i>White</i>

H052

Handle

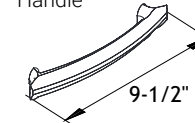


- 7-1/32" metal handle;
- 6-9/32" (160mm) center to center.

Code	\$	Description
H052CHR	14	<i>Chrome</i>
H052SN	14	<i>Satin Nickel</i>
H052BL	14	<i>Black</i>
H052WH	14	<i>White</i>

SXP002

Handle

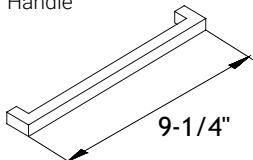


- 9-1/2" metal handle;
- 7-9/16" (192mm) center to center.

Code	\$	Description
SXP002	14	<i>Satin Nickel</i>

H060

Handle

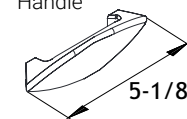


- 9-1/4" metal handle;
- 8-3/4" (222.25mm) center to center.

Code	\$	Description
H060BN	14	<i>Brushed Nickel</i>
H060CHR	14	<i>Chrome</i>

SXP003

Handle



- 5-1/8" metal handle;
- 3-25/32" (96mm) center to center.

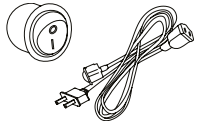
Code	\$	Description
SXP003	14	<i>Satin Nickel</i>

Accessories

Lighting

DELSW

On/Off Rocker Switch

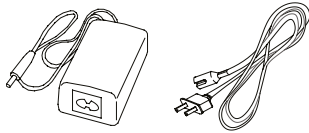


- On/Off Rocker Switch in black plastic.

Code	\$	Description
DELSW	25	per unit

DELALI

LED Starting Kit



- 1x power supply to connect up to 20' of 2.4 W LED lights;
- 60 W, 24V DC power supply, 100–240 V, 50/60 Hz;
- 39" primary power cord and 38" secondary cord for connection to the LED light.



Code	\$	Description
DELALI	86	per kit

DELFIL

Power Cord



- 1x 79" power cord.

Code	\$	Description
DELFIL	8	per unit

DELRAL

Extension Cord

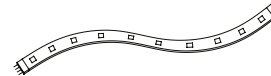


- To connect 12" strips of 2.4W LED tape together;
- 3 lengths available: 20", 40" and 79".

Code	\$	Description
DELRAL20	4	20" extension
DELRAL40	6	40" extension
DELRAL79	8	79" extension

DEL12

Flexible LED Tape



- 2.4 W flexible LED tape;
- Cool white, self-adhesive, 12" long;
- Allow 72 hours once the tape is applied before turning the light on;
- Can be directly linked one to the other.

Code	\$	Description
DEL12	19	per unit

DELT

T-Joint



- T-joint to link three directions;
- 3 quick connectors.

Code	\$	Description
DELT	18	per unit

DELL

L-Joint

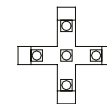


- 90° L-joint to use at a corner;
- 3 quick connectors are included.

Code	\$	Description
DELL	14	per unit

DELX

X-Joint



- X-joint to connect four directions;
- 3 quick connectors are included.

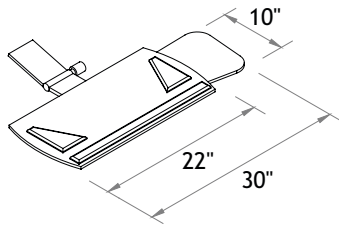
Code	\$	Description
DELX	22	per unit

Accessories

Keyboard Trays

KB360M

Keyboard Tray

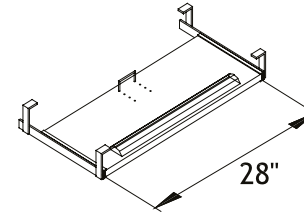


- Black plastic 24-1/2" wide retractable ergonomic keyboard;
- Lift-N-Lock spring system (no lever) to adjust height;
- Handle for easy tilt adjustment from 10° to 15°;
- 10" x 7-1/2" mouse tray;
- 19" black gel wrist rest;
- 360° rotation.

Code	\$	Description
KB360M	615	

KBMODR

Keyboard Tray

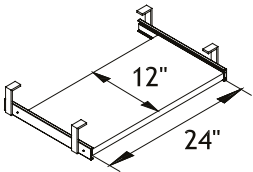


- 28" wide keyboard tray;
- 1" thick laminate;
- Adjustable height from 1-3/4 to 2-3/4" / additional 2" for slides;
- Black gel wrist rest / depth-adjustable stop handles.

Code	\$	Description
KBMODR	315	

KB

Keyboard Tray

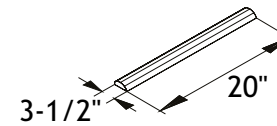


- 24" wide keyboard tray only;
- 5/8" and 1" thick laminate;
- Adjustable height from 1-3/4" to 2-3/4" / additional 2" for slides.

Code	\$	Description
KB	194	1" thick laminate
KBT	183	5/8" thick laminate

AP

Wrist Rest

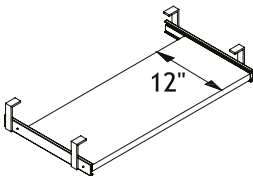


- Black gel wrist rest.

Code	\$	Description
AP	74	

KBMOD

Keyboard Tray



- Keyboard tray, available in lengths from minimum 24" to maximum 30";
- 5/8" and 1" thick laminate;
- Adjustable height from 1-3/4 to 2-3/4" / additional 2" for slides.

Code	\$	Description
KBMOD	233	1" thick laminate
KBMODT	222	5/8" thick laminate

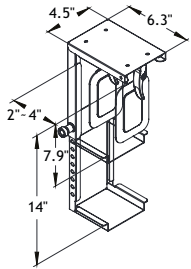
To order, for example a 27" long keyboard tray, 5/8" thick laminate: KBMODT27

Accessories

CPU Holders

MCPU50

Miniature CPU Holder

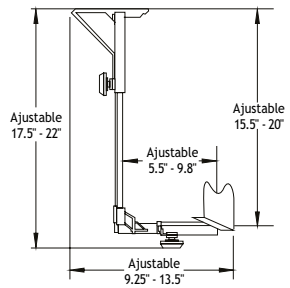


- Height adjustable: 8" - 14";
- Width adjustable: 2" - 4";
- Maximum capacity: 10 kg (22 lbs);
- Need a minimum 5" deep clearance.

Code	\$	Description
MCPU50	171	

MCPU90

CPU Holder

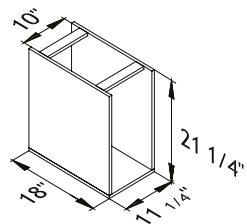


- Black metal CPU holder;
- Easy manipulation;
- Vertical adjustment:
 - Height: 15.5" x 20"
 - Width: 5.5" x 9.8"
- Horizontal adjustment:
 - Height: 17.5" x 22"
 - Width: 9.25" x 13.5"

Code	\$	Description
MCPU90	216	<i>per unit</i>

CPUIND

CPU Holder



- 5/8" thick laminate CPU holder;
- 10" x 20" interior

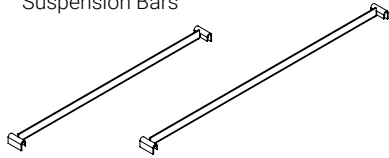
Code	\$	Description
CPUIND	184	<i>per unit</i>

Accessories

Miscellaneous Accessories

SB

Suspension Bars

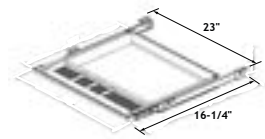


- Short suspension bars: 1 or 2 suspension bars for a left/right filing for a regular file drawer;
- Long suspension bars: 1 or 2 suspension bars for a front/back filing for a lateral file drawer.

Code	\$	Description
SBV1	7	1 short suspension bar
SBV2	14	2 short suspension bars
SBH1	7	1 long suspension bar
SBH2	14	2 long suspension bars

TCPM

Sliding Drawer

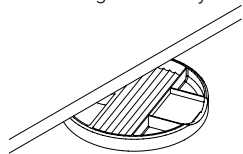


- Black plastic sliding drawer with steel ball bearing slides.

Code	\$	Description
TCPM	194	

SWV

Swivel Organizer Tray

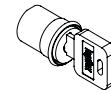


- Storage drawer that rotate 360 degrees;
- Mounts flush to the edge;
- Dimensions: 8-1/4"D x 13-5/8"W x 1-3/8"H.

Code	\$	Description
SWV	63	

LK

Lock



- Finish: Satin nickel and black;
- To order a lock separately, specify if it's a drawer lock (LKSNF or LKBFLF) or a door lock (LKSNP or LKBLP);
- To order a factory installed lock, add (LKSN) or (LKBL) after the product code on which lock will be installed.

Code	\$	Description
LKSN	44	Satin Nickel lock (factory installed)
LKBL	44	Black lock (factory installed)

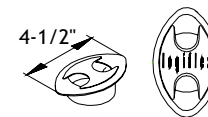
LKSNF	29	Satin Nickel front lock
LKBFLF	29	Black front lock

LKSNP	29	Satin Nickel door lock
LKBLP	29	Black door lock

KEY	24	Set of 2 keys - #501 - 600
SERR 010	24	1 master key

ELPF

Black Plastic Grommet

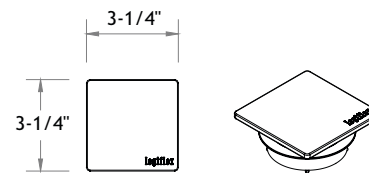


- Standard black plastic grommet with the Logiflex logo engraved;
- 2-1/2" diameter cutout.

Code	\$	Description
ELPF	6	Unit price

C_PF

Grommet



- Square metal grommet with the Logiflex logo engraved;
- Finish: Satin Nickel, Black and Chrome;
- 2-1/2" diameter cutout.

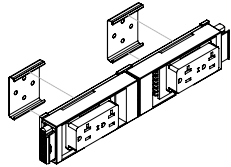
Code	\$	Description
CAPF	26	Unit price - Satin Nickel
CBPF	26	Unit price - Black
CCPF	26	Unit price - Chrome
CDPF	26	Unit price - White

Accessories

Electrical Accessories

BE-KDHB-1

Single sided power block (1)



Set including:

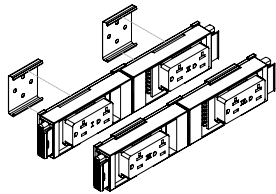
- Single sided power block (1);
- 2 Duplex -1 circuit;
- 2 mounting plates;
- Max. 10 duplex per circuit (5 double half power block BE-KDHB-1).

Code	\$	Description
BE-KDHB-1-BL	203	
BE-KDHB-1-WH	213	



BE-KDHB-4

Single sided power block (2)



Set including:

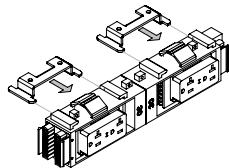
- Single sided power block (2);
- 4 Duplex -1 of each circuit;
- 4 Mounting plates;
- Max. 40 duplex (20 double half power block).

Code	\$	Description
BE-KDHB-4-BL	416	
BE-KDHB-4-WH	426	



BE-KDBSM-1

Double sided power block



Set including:

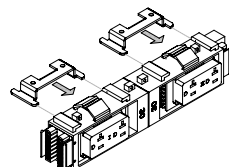
- Double sided power block;
- 4 duplex -1 circuit;
- 2 slide mounting brackets;
- Max. 10 duplex per circuit (2 double power block).

Code	\$	Description
BE-KDBSM-1-BL	390	
BE-KDBSM-1-WH	408	



BE-KDBSM-4

Double sided power block



Set including:

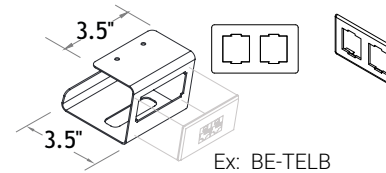
- Double sided power block;
- 4 duplex -1 of each circuit;
- 2 slide mounting brackets;
- Max. 40 duplex (10 double power block).

Code	\$	Description
BE-KDBSM-4-BL	390	
BE-KDBSM-4-WH	408	



SMWM

Cable Support

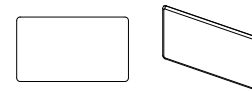


- 3.5" metal wire support with 1 telecom plate cutout;
- Satin nickel finish.

Code	\$	Description
SMWM	29	

BE-TELA

Telecom plate

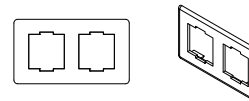


- Blank plate;
- 3-1/8" x 1-3/4";
- Colors: Black, White and Satin nickel;
- To be used with the APB, APF or AP2 cover plate option of the supply walls.

Code	\$	Description
BE-TELA-BL	6	
BE-TELA-WH	6	
BE-TELA-SN	6	

BE-TELB

Telecom plate



- 2 spaces to install connection ports;
- 3-1/8" x 1-3/4";
- Adapter included.
- Colors: Black, White and Satin nickel.

Code	\$	Description
BE-TELB-BL	6	
BE-TELB-WH	6	
BE-TELB-SN	6	

BE-HW

Hardwired conduit power entry



- * To be connected to an electrical box by an electrician.
- 8 wires - 4 circuits 20A;
- For 8 trac system;
- Bare wires at one end
- Male end.

Code	\$	Description
BE-HW-72	182	8 wire, 4 circuit - 72"L
BE-HW-84	198	8 wire, 4 circuit - 84"L
BE-HW-96	221	8 wire, 4 circuit - 96"L
BE-HW-120	258	8 wire, 4 circuit - 120"L
BE-HW-180	378	8 wire, 4 circuit - 180"L



Accessories



Electrical Accessories

BE-PI72

Corded Power entry



- Corded power entry of 72";
- Right angle 20 Amp plug;
- Male end;
- 1 circuit 20A;
- Must be plug on 20A outlet

Code	\$	Description
BE-PI72	226	

BE-NYHW

NYC flex hardwired power infeed



- * To be connected to an electrical box by an electrician.
- 8 wires - 4 circuits 20 A;
- Bare wires at one end;
- For 8 trac system;
- Male end.

Code	\$	Description
BE-NYHW-72	410	
BE-NYHW-84	431	
BE-NYHW-96	447	
BE-NYHW-108	469	
BE-NYHW-120	487	

BE-J

M/M jumper



- Non-ajustable;
- 8 wire - 4 circuits;
- M/M;
- For 8 trac system;
- Minimum 12" - Maximum 216".

Code	\$	Description
BE-J12	116	8 wire cable / 4 circuit - 12"L
BE-J18	124	8 wire cable / 4 circuit - 18"L
BE-J24	131	8 wire cable / 4 circuit - 24"L
BE-J36	143	8 wire cable / 4 circuit - 36"L
BE-J42	152	8 wire cable / 4 circuit - 42"L
BE-J48	162	8 wire cable / 4 circuit - 48"L
BE-J54	169	8 wire cable / 4 circuit - 54"L
BE-J60	183	8 wire cable / 4 circuit - 60"L
BE-J66	190	8 wire cable / 4 circuit - 66"L
BE-J72	200	8 wire cable / 4 circuit - 72"L
BE-J78	211	8 wire cable / 4 circuit - 78"L
BE-J84	222	8 wire cable / 4 circuit - 84"L
BE-J96	239	8 wire cable / 4 circuit - 96"L
BE-J120	279	8 wire cable / 4 circuit - 120"L
BE-J216	519	8 wire cable / 4 circuit - 216"L

BE-HC

Harness connector F/F

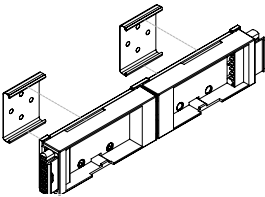


- Used to connect jumper cables and blocks together;
- 1-1/2" x 2-1/4".

Code	\$	Description
BE-HC	54	

BE-DHB

Single sided power block

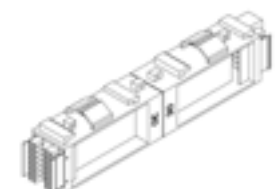


- Maximum of 2 duplex per block;
- Includes mounting plates ;
- F/F ;
- For 8-trac system ;
- Duplex ordered separately.

Code	\$	Description
BE-DHB	106	

BE-DBSM

Double sided power block



- Maximum of 4 duplex per block;
- For 8-trac system ;
- Slide mounting sold separately ;
- F/F ;
- Duplex ordered separately.

Code	\$	Description
BE-DBSM	152	

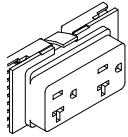
Accessories



Electrical Accessories

BE-D20-C

Duplex



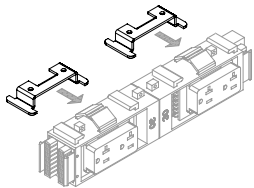
- 20 Amp;
- Height 1-1/18";
- For BE-DHB & BE-DBSM blocks ;
- Colors: Black or white ;
- Maximum of 10 Duplex per circuit.

Code	\$	Description
BE-D20-C-1-BL	48	Circuit 1 - 20A - Black
BE-D20-C-2-BL	48	Circuit 2 - 20A - Black
BE-D20-C-3-BL	48	Circuit 3 - 20A - Black
BE-D20-C-4-BL	48	Isolated Circuit 4 - 20A - Black
BE-D20-C-1-WH	54	Circuit 1 - 20A - White
BE-D20-C-2-WH	54	Circuit 2 - 20A - White
BE-D20-C-3-WH	54	Circuit 3 - 20A - White
BE-D20-C-4-WH	54	Isolated Circuit 4 - 20A - White



BE-SM58-2

Slide mount bracket



- 2 brackets;
- Only for the double power block (BE DBSM);
- 5/8" height;
- Screws included.

Code	\$	Description
BE-SM58-2	42	



WM

Velcro Tie

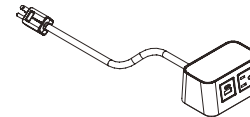


- Velcro tie for electrical cable;
- The non-metallic buckle is safe to use around electrical devices;
- Dimensions: 3/4" x 10";
- Color: black.

Code	\$	Description
WM	13	Unit price
WMS	14	with #8, 9/16" Robertson screw, per unit

BR1

Branch unit

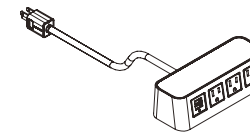


- 1 power outlet / 1 dual charger USB-a+;
- Table top with braided storm 120 IN power cord.

Code	\$	Description
BR1BL	522	Black
BR1WH	522	White

BR2

Branch unit

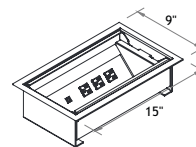


- 3 power outlet / 1 dual charger USB-a;
- Table top with braided storm 120 IN power cord.

Code	\$	Description
BR2BL	671	Black
BR2WH	671	White

OAS

Oasis



- OAS A: 6 power receptacles, 2 USB (chargers), cutout for 1 Telecom plate;
- OAS B: 6 power receptacles, 2 USB (chargers), HDMI F/F with 36" patch cord attached, Mini Stereo Inline, 15 Pin HD VGA F/F with 72" patch cord attached;
- OAS C: 6 power receptacles, 2 USB (chargers), HDMI F/F with 36" patch cord attached;
- 108" power cable with electric plug;
- Satin Nickel finish.



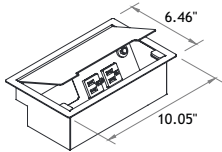
Code	\$	Description
OASA	2619	
OASB	3035	
OASC	2830	

Accessories

Electrical Accessories

INT

Interact



- Interact:
 - 72" power cable with electric plug for INT A, INT B and INT C models;
 - Satin Nickel finish.
- INT A: 2 power receptacles and a cutout for 1 telecom plate, 3rd electrical outlet on underside.
- INT B: 2 power receptacles, 3rd electrical outlet on underside, HDMI F/F with 36" patch cord attached, Mini Stereo Inline, 15 Pin HD VGA F/F.
- INT C: 2 power receptacles, 3rd electrical outlet on underside, HDMI F/F with 36" patch cord attached.



Code	\$	Description
INT A	721	
INT B	1137	
INT C	932	

With electric plug

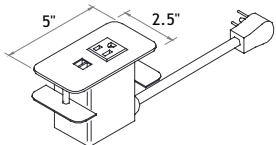


Code	\$	Description
INT A HW	555	
INT B HW	1137	
INT C HW	931	

Hardwire: to be connected to an electrical box by an electrician.

COV1

Cove Unit



- 108" power cable with electric plug;
- Satin nickel finish.

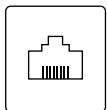


Code	\$	Description
COV1	581	1 power, 2 USB (chargers)



POR 01

RJ45, CAT 6 connectivity port

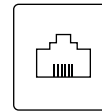


- RJ45, CAT6 connector;
- RJ45 M/F cable - 72";
- Finish: Black.

Code	\$	Description
POR 01	144	

POR 02

RJ11 connectivity port

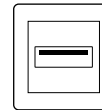


- RJ11 connector, 4 pin
- RJ11 M/F cable - 84";
- Finish: Black.

Code	\$	Description
POR 02	42	

POR 03

USB connectivity port

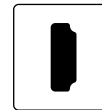


- 1 USB (data/passive);
- USB M/F cable - 72";
- Finish: Black.

Code	\$	Description
POR 03	89	

POR 04

HDMI connectivity port

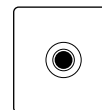


- HDMI connector;
- HDMI F/F cable - 18";
- Finish: Black.

Code	\$	Description
POR 04	131	

POR 05

Mini Stereo Jack

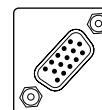


- 3.5 mm Mini Stereo Jack, M/F;
- Audio M/F cable -120";
- Finish: Black.

Code	\$	Description
POR 05	47	

POR 06

VGA Connector



- VGA connector, 15 pin;
- VGA M/F cable -120";
- Finish: Black.

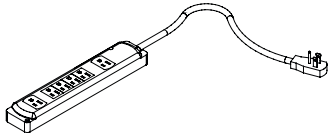
Code	\$	Description
POR 06	167	

Accessories

Electrical Accessories

F-714

Power bar



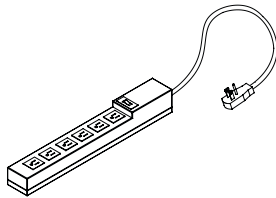
- Power bar with 6 AC 15 Amp electric outlets;
- 120", 14-3 power cable with electric plug.



Code	\$	Description
F-714	118	

PBL

Power bar



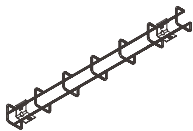
- Power bar with 6 electric outlets;
- 120" power cable with electric plug.



Code	\$	Description
PBL	65	

CT

Metal cable tray

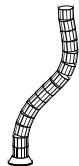


- Metal cable tray
- In stainless steel;
 - Dimensions: 2x4; Interior dimensions: 1-7/8"D x 1-7/8"H
 - Length of 24" and 118" (118" can be cut on site).
 - With mounting hardware

Code	\$	Description
CT24	64	
CT118	110	

SPINE

Wire Management Spine

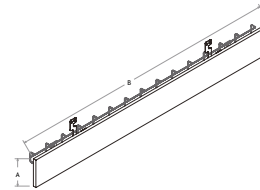


- 2" diameter;
- Gray plastic.

Code	\$	Description
SPINE	169	

CTCOVER

Laminate cover



- Laminate cover for cable tray;
- Mounting brackets;
- Dimension "B" is 1/4" recessed.

Code	\$	Description
53		6 x 30
58		6 x 36
64		6 x 42
69		6 x 48
76		6 x 54
81		6 x 60
87		6 x 66
92		6 x 72
99		6 x 78
104		6 x 84

DSG

Double-sided grommet

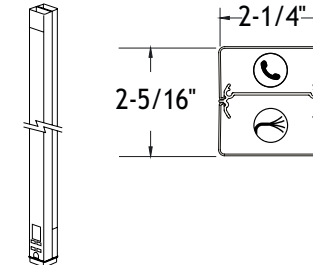


- Double-sided grommet
- Hole diameter: 2.5"
 - Use for electrical cable management with division panels. Drilling to be done by the installer.
 - Grommet to cut on site for desired thickness to cover;
 - Can not be cut with a simple utility knife, use a sharper and safer tool.

Code	\$	Description
DSG BL	29	Black
DSG WH	29	White

WMP

Wire Management Pole



- Blank steel pole to bring cables from the ceiling to a work station;
- Satin nickel finish with a grey boot base;
- 2 compartments: 1 power/1 communications
- Mounting hardware, entrance end plate and ceiling trim plate included;
- Wires and outlets not included;
- Height: 12' 5".

Code	\$	Description
WMP	455	

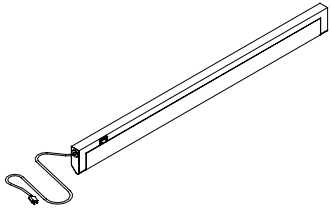
Accessories



Electrical Accessories

T5

Florescent task light



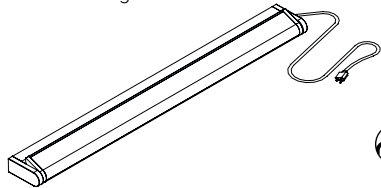
- Florescent lamp (T5) with swivel reflector and electronic ballast;
- 120" power cable with electric plug;
- 16" connection wire for T524, T536 or T548 florescent task lamps;
- Finish: Black and Satin Nickel



Code	S	Description
T524 BL	177	24" length - Black
T524SN	177	24" length - Satin Nickel
T536 BL	238	36" length - Black
T536 SN	238	36" length - Satin Nickel
T548 BL	314	48" length - Black
T548 SN	314	48" length - Satin Nickel

DEL20

LED task light



- 20" LED task light, 7.5W, cool white;
- 180° swivel feature;
- 72" power cable with electric plug;
- 20" connection wire for DEL20 task lamps;
- Finish: Satin nickel.



Code	S	Description
DEL20	218	20" length

As our product line is constantly evolving and expanding, we recommend that you visit logiflex.ca for updates.

logiflex

1235 St-Roch N., Sherbrooke QC J1N 0H2 Canada
T : 1.877.864.9323 | F : 1.800.474.7830 | logiflex.ca

