

Price List
USA 2023



logiflex

Table of Contents

Introduction	3	Tables	24	Wardrobes	47
Product Map	5	D Tables without End Gable	25	Wardrobes with One Door	48
Our social responsibility	6	D Tables with End Gable	26	Wardrobes	48
Conditions of Sale	6	Rectangular Tables without End Gable	27	Cabinets with One Door	49
Manufacturing Standards	8	Rectangular Tables with End Gable	28		
How to Use the Price List	9	Lateral Tables	29	Conference Tables	50
Appendix A: Colors and Finishes	10	Lateral Tables, 20" and 24"	29	Racetrack on H Bases	51
Appendix B: Surfaces and Molding Edges	11	Lateral Tables, 30" and 36"	30	Rectangular on H Bases	52
Appendix C: Modesty Panels	12	Rectangular Tables	31	Racetrack on Rectangular Bases	53
Appendix D: Wood Grain	12			Rectangular on Rectangular Bases	54
Appendix E: Pedestals and File Drawers	12	Pedestals	32		
Appendix F: Pricing for Additional Adjustable Shelves	12	Independent E and F Pedestals	33	Complimentary Furniture	55
Appendix G: Bases	13	Mobile E and F Pedestals - Letter Size	34	All Purpose Tables	56
Appendix H: Seating Capacity	13	Lateral Filing Cabinets	35		
Appendix I: Grommet and Communication Box for Height Adjustable Tables	14			Desk and Table Tops	57
Appendix J: Conference Table Surfaces	15	Credenzas	36	Round Top	58
		Combination Credenzas	37	Rectangular Tops	59
Desks	16	Hutches and Wall Storage	40		
Shells (Empty Desks)	17	Wall Hutches	41	Accessories	61
Desks with Convex Front	18	Desk Hutches	42	Handles	62
		Tackboards	43	Miscellaneous Accessoires	63
Returns and Bridges	19			Electrical Accessories	64
Empty Returns	20	Bookcases	44		
Reversible Empty Returns	21	Bookcases	45		
Bridges with Modesty	22	36" Bookcases with Laminate Back	46		
Bridge Top	23				

Update Summary

The Quickship price list presents these principal modifications:

DATE	SECTION	MODIFICATIONS
July 24, 2023	Hutches	<ul style="list-style-type: none">• Removal of the wiring space at the bottom of hutches.

Previous updates:

DATE	SECTION	MODIFICATIONS
February 1, 2023	All the Price List	<ul style="list-style-type: none">• All prices have been increased by approximately 5%.• Revomal of PSQ & OVAM legs.• Transition from 6 to 14 grades of fabric.• New certification Indoor Advantage Gold (replace Greenguard).
	Tables	<ul style="list-style-type: none">• Replacement of the BAS elevation table by T.
July 1, 2022	All the Price List	<ul style="list-style-type: none">• All prices have been increased by approximately 5%.
	Appendix A	<ul style="list-style-type: none">• Color availability chart update for the HPL.
	Accessories	<ul style="list-style-type: none">• Change of the flexible grommet by a space for wiring (all hutches).
June 1, 2022	Conference Tables	<ul style="list-style-type: none">• Modification of the manufacturing standard for 1" conference tables.
February 1, 2022	All the Price List	<ul style="list-style-type: none">• All prices have been increased by 6%.• Addition of the white metal.
	Conditions of Sales	<ul style="list-style-type: none">• The order modification / cancellation deadline is changed to 48 hours.

Introduction

Product Map

Desks

Returns

Shells (Empty Desks) p. 17

Returns and Bridges p. 20

Tables

Pedestals

Tables p. 25

Pedestals p. 33

Credenzas

Hutches and Tackboards

Bookcases

Wardrobes

Credenzas p. 37

Hutches and Tackboards p. 41

Bookcases p. 45

Wardrobes p. 48

Conference Tables

All Purpose Tables

Desk and Table Tops

Conference Tables p. 51

All Purpose Tables p. 56

Desk and Table Tops p. 58



Our social responsibility

At Logiflex, we have chosen to be a responsible North American manufacturer by implementing initiatives for sustainable development. As much as possible, we source local materials and partner with suppliers who prioritize clean manufacturing processes. We also consolidate goods during transport to reduce our fuel consumption and we continually make changes that help reduce our waste production.

The company is ISO 9001 certified.

You can consult our eco-responsible approach as well as all our certifications in the [Certifications](#) section of our website. Find out how our products can help you obtain LEED credits and the Logiflex products that are Indoor Advantage Gold certified.

Conditions of Sale

Prices

The amounts listed in this document are suggested retail prices and may be changed without notice. Applicable taxes are not included. If you have an open and active account with Logiflex, merchandise will be invoiced at the prices prevailing at the time of shipment. A deposit may be requested if the opening of your account has not been completed or if your account has become inactive.

Terms of Payment

Net 30 days F.O.B. Sherbrooke, Quebec. The invoice will be assigned the shipping date and is payable 30 days from that date. Logiflex remains the owner of the merchandise until the invoice is paid in full.

Customized Products (Special Items)

Price requests for customized products or special items can be submitted via the ["Private Space"](#) section of our website, at www.logiflex.ca. Our quotations department will study your request and send you a quotation and a technical drawing for approval as soon as possible. Modifications to quotations or technical drawings can be requested the same way. The approved quotation(s) and technical drawing(s) can then be attached to your purchase order.

Orders

An official purchase order must be issued for all purchases. Your purchase order must contain the following information:

- Your company letterhead
- Your reference number
- The delivery address (with contact name, email and phone number)
- The complete product codes
- Furniture colour(s)
- Quantities
- Descriptions
- Retail prices and net prices
- Project registration number (if applicable), and your approved quotation and technical drawing (for special items).

Please note that a quotation cannot serve as a purchase order.

Returns

All returns must first be approved by Logiflex. If the return is accepted, a Logiflex customer service representative will send you an official return authorization form in order to facilitate procedures between you, the carrier, and the Logiflex merchandise reception clerk. Additional costs for shipping or other expenses may be applied following any merchandise returns.

Modifications and/or Cancellations

You have 48 hours from the time we acknowledge receipt of your order to make any requests for corrections or modifications. You may cancel your order during this same 48-hour period. If you would like to modify or cancel your order after this 48-hour verification period, please check with a Logiflex customer service representative. Orders cannot be changed or cancelled if production has already begun or if Logiflex has already received the raw materials.

Liability

Logiflex's liability ends once the carrier has delivered all items in good condition. A delivery receipt signed by the customer acknowledges that the shipment is complete and has been received in good condition.

Claims

Logiflex recommends inspecting the shipment before signing the carrier's delivery receipt. You must notify Logiflex of any incomplete shipments or damaged furniture within 30 days after delivery. Requests to replace damaged products can be made via the ["Private Space"](#) section of our website, at www.logiflex.ca. Our after-sales service department will examine your request and help you correct the situation.

Changes

Logiflex reserves the right to make changes to the materials, accessories, components, specifications and designs, and to discontinue collections and/or models, at any time and without prior notice.

Storage and/or Shipping Fees

According to the terms Logiflex set forth in the transport policy. The transport policy can be consulted online in the Private Space.

Items Delivered Disassembled

Some items are delivered disassembled, such as empty desks, empty returns, bridges, arched tables, D, P or Q tables, lateral tables, end tables, hook tables, corner tables and extended-corner tables.



Conditions of Sale (continued)

Quickship Program

A wide selection of typicals and components from the Manhattan, Millenium and Tables series are parts of our quickship program.

Conditions

- Products are ready to deliver after 10 working days from the receipt of the order and according to our delivery schedules.
- Maximum quantity of 20 components per order. For larger quantities, please consult the customer service.
- Logiflex reserves the right of final approval of orders.
- No cancellation after the reception of the order.
- All prices are in U.S. currency and may be changed without notice.

Quickship program standard

- Standard handles used when included: HJAB (Black).
- Edge finish: ML
- Tackboard fabrics: Please refer to the Logiflex color chart
- All Logiflex colors and finishes are available for the Quickship Program products with the exception of high gloss fronts.

Warranty

Logiflex guarantees to the original purchaser that Logiflex products are free from defects in design, materials and workmanship for the product's lifetime, with certain exceptions.

You may consult the full warranty on the website:

[Logiflex Warranty](#)

Introduction

Manufacturing Standards

Product Dimensions

For display purposes, the furniture dimensions represented in the price tables on each product page are rounded to the nearest whole number.

Furniture Construction

- **Millenium** : Desktops are 1" thick laminate.
- Legs are 1" thick laminate;
- Fronts, backs and modesties are 5/8" thick laminate.
- Conference tables are delivered disassembled.

Handles

Millenium: Handles are included for the majority of Millenium furniture items with fronts, with the exception of hutches and D, E and F pedestals, for which handles are sold as options.

The standard handle style, when included, is HJAB (black).

Grommets

Grommets are included for some items such as D,P and REG tables, lateral, end, corner, extended-corner and arc tables, and returns. When grommets are included, the standard style is the ELPF grommet.

Locks

LKBL (black) locks are included for some items, such as pedestals, lateral file drawers, cabinets, wardrobes, combination units and credenzas. To specify a different type of lock, please refer to the [Accessories](#) section at the end of this price list to see the different models offered by Logiflex.

Pedestals

All drawers are made of black Medium density fiberboard (MDF) with an average thickness of 7/16". Type D, E and F pedestals include a black polyvinyl chloride (PVC) extrusion for easy finger grip operation (no handle).

Drawer Fronts

A PVC strip 1.5 mm thick is systematically applied along all drawer front edges.

Wood Grain

The wood grain is always vertical on fronts and furniture doors. Surfaces more than 96" are in two parts. Logiflex cannot guarantee that the wood grain will match up on the different parts of a same surface.

Hutches

All hutches have a round grommet at the back of the unit for light fixture wires.

Finishes

You must specify the desired finish(es) for each item of furniture ordered. Please make your selection(s) from the Logiflex chart.

Fabric

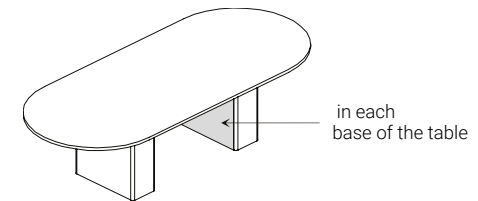
You must specify the fabric when the item so requires. Please make your selection(s) from the Logiflex chart.

Levelers

All furniture items (except bridges) sit on 1" in diameter, white nylon levelers, allowing for up to 1-1/4" height adjustment. The standard finished height for work surfaces is 29".

Access Doors (AD) for Conference Table Bases

An access door can be added to each conference table base, where permitted by the type of base. If applicable, the option (AD) will be offered on the specifications sheet of the conference table in question. This information can be found in the "How to order" section of the conference table specifications pages in this price list.



Introduction

How to Use the Price List

Interactive Menu

- Product line: Desks
- Product group: Quickship Furniture
- Product name: Shells (Empty Desks)
- Product code: BV

Product image

Product image showing dimensions A and B.

Navigation buttons

- Previous View
- Previous Page
- Next Page
- Product Map
- Table of Contents

Note: A Quickship order cannot contain more than 20 products.

Manufacturing Standards

- Delivered disassembled;
- Modesty;
- Height: 29".

Recessed Modesty:
 4-5/8" modesty recess for 30" desks
 6" modesty recess for 36" desks
 If choice of modesty is not specified, the standard (FM) will be used, PM and SM modesties are available at no extra charge.

Options

Modesty

- 10" high: PM \$0
- 18-1/2" high: SM \$0
- Full height: FM \$0

Grommet Position

L C R
* * *
LR

Grommet Style

- ELPF \$0
- C_PPF \$S

Prices

Dimensions	A	B	ML
3048	***	***	***
3060	***	***	***
3066	***	***	***
3072	***	***	***
3660	***	***	***
3666	***	***	***
3672	***	***	***

Ordering instructions

Blue text hyperlink

How to Order

Always add the code QS

quickship	series (Appx. B)	dimensions	modesty	grommet position	grommet style
Example	QS	ML	3060	FM	GRC

Standard Product Code
 Details as per the price listed

Options, if desired (\$)
 Always after the product code

Navigation Buttons (when blue)

Series Prices

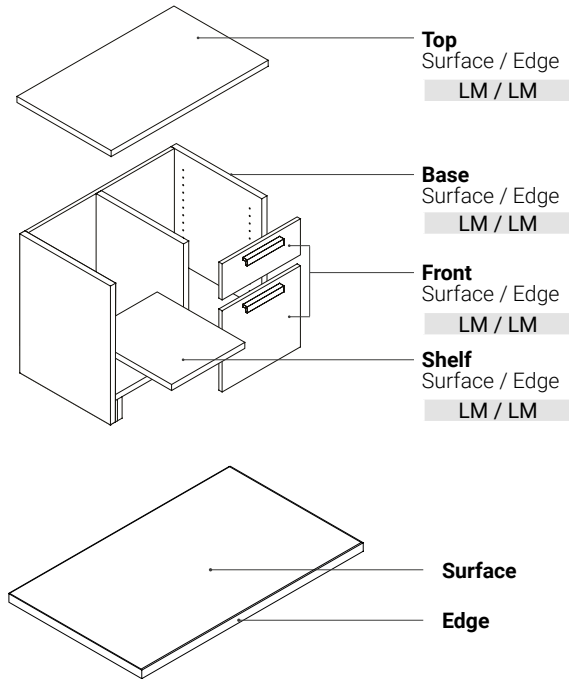
Dimensions

Introduction



Appendix A: Colors and Finishes

How to specify your laminate colors



Availability Chart

FINI FINISH	CODE	COLOR COULEUR	THICKNESS ÉPAISSEUR			HPL STRATIFIÉ	PANVAL CODE
			5/8"	1"	1-5/8"		
OMNIA	DOO	Dosha	•	•		•	K77
	COO	Cosmos	•	•		•	K78
AURA	GIA	Ginger Root Gingembre	•	•		•	H72
	HAA	Haze Brume	•	•	•	•	H57
	OHA	Ohm	•	•	•	•	K69
	STA	Storm Tempête	•	•	•	•	H58
	TUA	Tundra	•	•		•	H75
LYRA	ASY	Asha	•	•		•	K47
	CIY	Chiffon Mousseline **	•	•	•	•	K60
	KAY	Kali	•	•		•	K46
SUPERMAT	IGS	Ingot grey Gris lingot	•	•			828
	WGS	Willow grey Gris saule	•	•			802
DOLOMITE	AU	Audacity Audace **	•	•	•	•	241
	B	Jet Black Noir intense *	•	•		•	888 S405-CA
	BC	Brown cherry Cerisier brun	•	•	•	•	207
	C	Slate Ardoise *	•	•		•	801
	DR	Driftwood Bois de rive	•	•		•	744
	G	Mink Grey Gris vison	•	•		•	805 OU-927
	NM	Natural Maple Érable naturel	•	•	•	•	206
	PO	Porto	•	•		•	913 OU-648
	SW	Smoked Walnut Noyer fumé	•	•	•	•	G21
	TO	Tobacco	•	•		•	205
	W	Polar White Blanc polaire	•	•	•	•	555 459-CA
	WK	Whisky	•	•	•	•	245
HIGH GLOSS SUPER LUSTRE	W-H	Polar White - fronts Blanc polaire - façades	•				

* Non recommended color for work surfaces.

** For conference tables with 2 or more parts, we do not recommend the use of colors with irregular and contrasted woodgrain like Chiffon, Audacity or Coastal Pear as it results in a pronounced wood grain mismatch.

Colors may vary from 2% to 5% between tfl and hpl laminates due to different technical applications.

See our complete [Colors & Finishes Guide](#)

New

Important



For your order to be eligible for the Quickship deadline, the colors must absolutely be applied according to the combinations specified below:

- Top
- Base
- Front
- Shelves

Introduction



Appendix B: Surfaces and Molding Edges

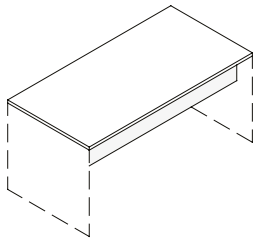
SERIES	PREVIEW	COMPONENT	MATERIAL	EDGES / MOLDING
ML		1" surface	Thermofused laminate (TFL) - 1" high-density particle board.	1.5 mm polyvinyl chloride (PVC)
		Front, back and modesty	Thermofused laminate (TFL) - 5/8" high-density particle board.	1.5 mm polyvinyl chloride (PVC) on showing surfaces and 0.5 mm polyvinyl chloride (PVC) on non-showing surfaces.

Introduction

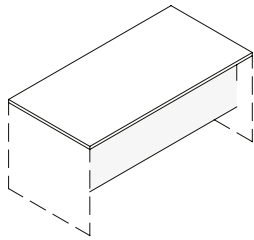


Appendix C: Modesty Panels

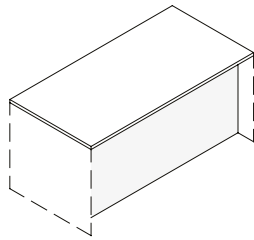
Modesty Height



10" high
PM



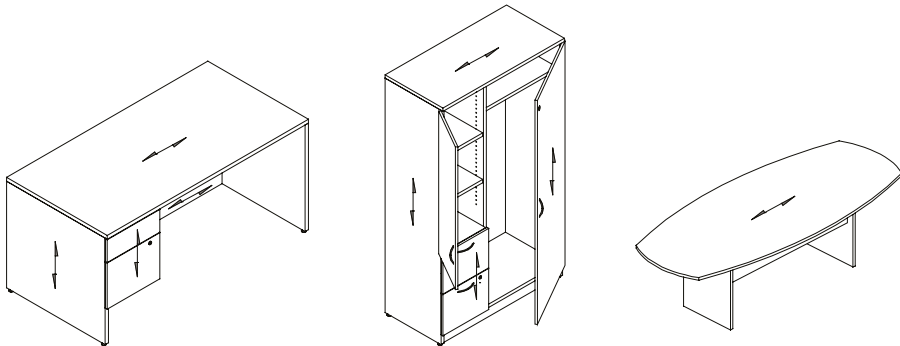
18-1/2" high
SM



Full height
FM

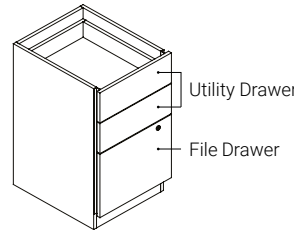
Appendix D: Wood Grain

Wood grain runs lengthwise on surfaces and vertically on drawers, doors and legs. See image below for wood grain direction placements.

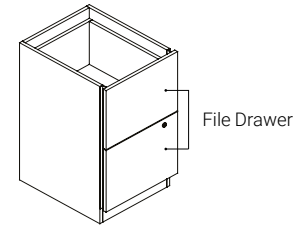


Appendix E: Pedestals and File Drawers

D, E and F Pedestals

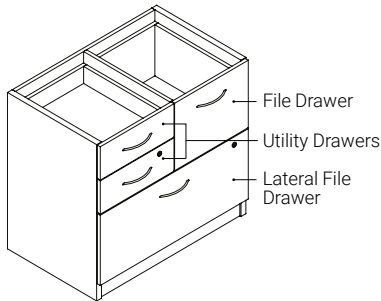


E

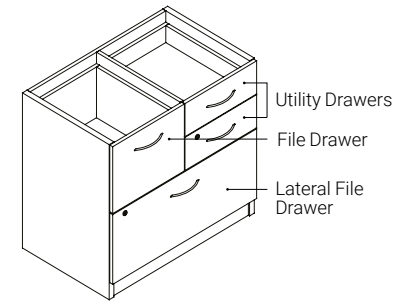


F

Combination Pedestals



BCCL



CBCL

Appendix F: Pricing for Additional Adjustable Shelves

To find out the price for additional adjustable shelves, trace down the vertical column "A" the shelf depth to its intersection with columns "B" the shelf length.

	\$	B								
		12"	15"	18"	20"	24"	30"	36"	42"	48"
A	12"	22	26	34	36	42	51	63	72	83
	15"	26	35	40	43	51	65	78	90	105
	16"	27	36	42	45	56	70	83	97	111
	20"	36	43	51	58	70	86	105	122	137
	24"	42	51	63	70	83	105	125	144	167
	30"	51	65	78	86	105	129			

Introduction

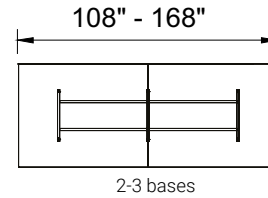
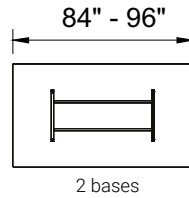
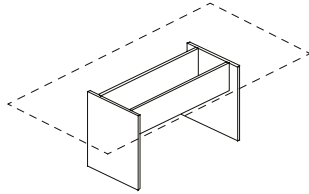


Appendix G: Bases

H Bases



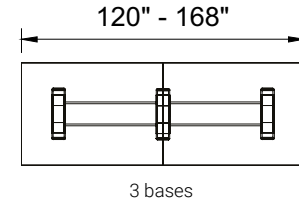
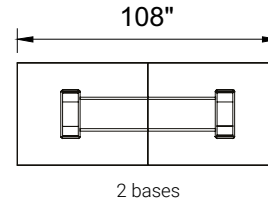
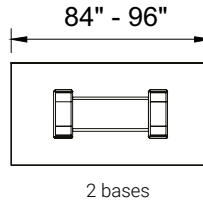
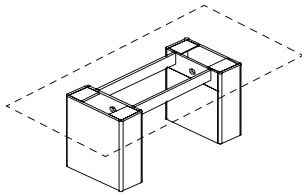
- Laminate base;
- Tables delivered disassembled.



Rectangular Bases

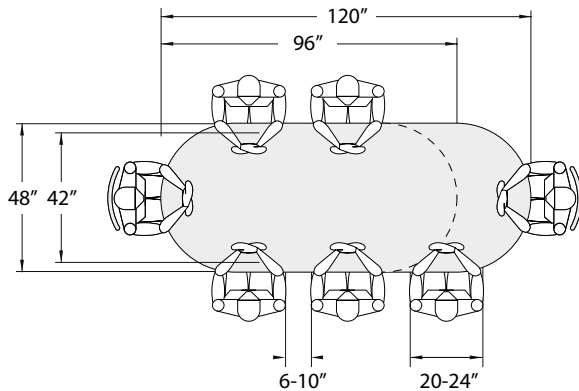


- Laminate base;
- Tables delivered disassembled.



Appendix H: Seating Capacity

In general, to establish conference table seating capacity it is important to include a workzone to accommodate documents and papers. The spacing of chairs is not only important in terms of defining comfortable work zones but essential in providing optimal line of sight where the room incorporates a multi media unit.



Introduction



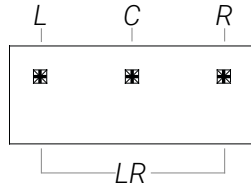
Appendix I: Grommet and Communication Box for Height Adjustable Tables

Grommet

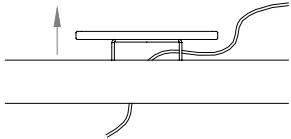


C_PF

Square metal grommet in satin nickel, chrome and black finish

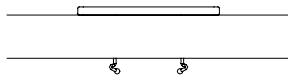


Position : L, C, R, LR



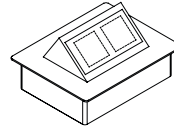
Open position

Allows wire management

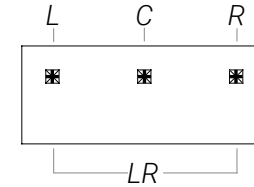


Closed position

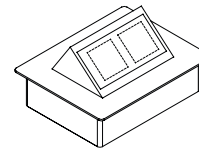
Connection Unit



MH3

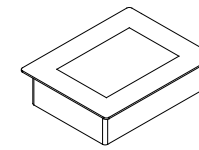


Position : L, C, R, LR



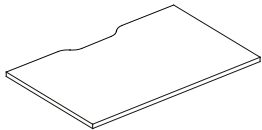
Open position

Push to open



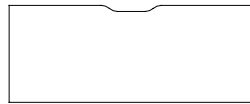
Closed position

Cutout for wires



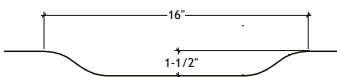
WAVC

Wire management cut-out

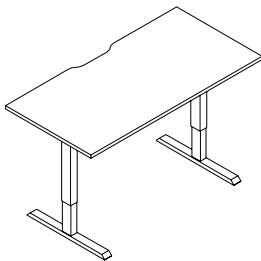


C

Position: C



Dimensions

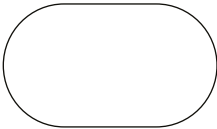


Introduction

Appendix J: Conference Table Surfaces

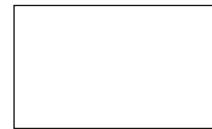
The following charts indicate the number of sections and wood grain direction for conference tables.

RACETRACK



	1" Tops	
	Number of Sections	Wood Grain Direction
42 84	1	←→
42 96	1	←→
42 108	2	↑↓
48 84	1	←→
48 96	1	←→
48 120	2	↑↓
48 144	3	↑↓
60 144	3	↑↓
60 168	4	↑↓

RECTANGULAR

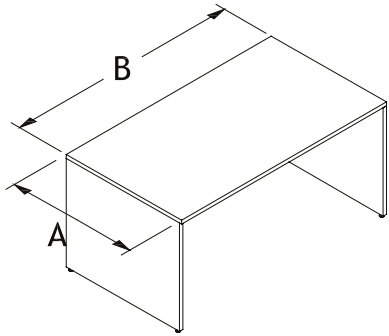


	1" Tops	
	Number of Sections	Wood Grain Direction
42 84	1	←→
42 96	1	←→
42 108	2	↑↓
48 84	1	←→
48 96	1	←→
48 120	2	↑↓
48 144	3	↑↓
48 168	3	↑↓
54 84	2	↑↓
54 96	2	↑↓
54 120	3	↑↓
54 144	3	↑↓
54 168	4	↑↓
60 84	2	↑↓
60 96	2	↑↓
60 120	3	↑↓
60 144	3	↑↓
60 168	4	↑↓
60 192	4	↑↓
60 228	5	↑↓

Quickship Furniture

Shells (Empty Desks)

BV



Note: A Quickship order cannot contain more than 20 products.

Manufacturing Standards

- Delivered disassembled;
- Modesty;
- Height: 29".

Recessed Modesty:
 4-5/8" modesty recess for 30" desks
 6" modesty recess for 36" desks

If choice of modesty is not specified, the standard (FM) will be used, PM and SM modesties are available at no extra charge.

Options

Modesty

10" high
PM
\$0

18-1/2" high
SM
\$0

Full height
FM
\$0

Grommet Position

Grommet Style

\$0 \$26 ea.

Prices

Dimensions	
A	B ML
3048	725
3060	785
3066	832
3072	874
3660	891
3666	910
3672	941

How to Order

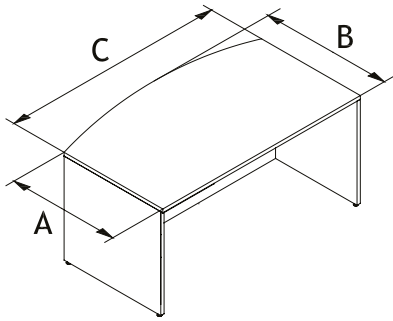
QS Always add the code

quickship	series	dimensions	modesty	grommet position	grommet style	
QS	ML	AB	PM SM FM (std)	GRL GRR GLR GRC	CAPF CBPF CCPF ELPF (std)	
Example	QS	ML	3060	FM	GRC	ELPF

Quickship Furniture

Desks with Convex Front

BCX



Note: A Quickship order cannot contain more than 20 products.

Manufacturing Standards

- Delivered disassembled;
- Modesty;
- Height: 29".

Recessed Modesty:
 Flush modesty for 24" desks
 4-5/8" modesty recess for 30" desks
 6" modesty recess for 36" desks

If choice of modesty is not specified, the standard (FM) will be used, PM and SM modesties are available at no extra charge.

Options

Modesty Styles

10" high
PM
\$0

18-1/2" high
SM
\$0

Full height
FM
\$0

Grommet Position

Grommet Style

\$0 \$26 ea.

Prices

Dimensions	
A B	ML
243060	998
243066	1045
243072	1106
303660	1094
303666	1155
303672	1215
303684	1352
364260	1196
364266	1269
364272	1339
364284	1481

How to Order

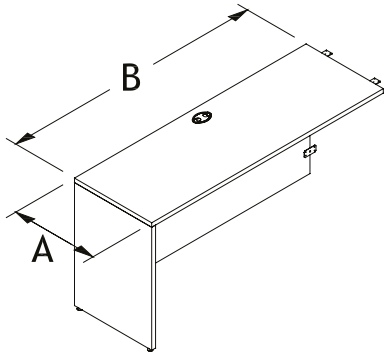
QS Always add the code

ML	ABC	PM SM FM (std)	GRL GRR GLR GRC	CAPF CBPF CCPF ELPF (std)			
QS		CX					
quickship	series	dimensions	code	modesty			
			grommet position	grommet style			
Example	QS	ML	243060	CX	FM	GRC	ELPF

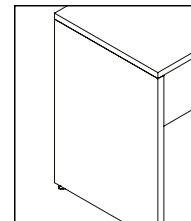
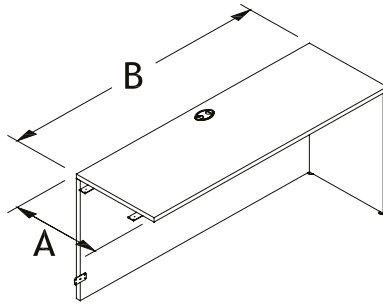
Quickship Furniture

Empty Returns

RVL



RVR



Modesty edge is not visible on the side of the return

Note: A Quickship order cannot contain more than 20 products.

Manufacturing Standards

- Delivered disassembled;
- Centered ELPF grommet;
- Flush plates;
- Flush modesty;
- Height: 29".

Not compatible with lateral tables due to differences in the direction of the wood grain as well as the thickness of the modesty panel.

Modesty: If choice of modesty is not specified, the standard (FM) will be used, PM and SM modesties are available at no extra charge.

Grommet: If the grommet position is not specified, the standard is centered (GRC).

Options

Modesty

10" high
PM
\$0

18-1/2" high
SM
\$0

Full height
FM
\$0

Grommet Position

Grommet Style

\$0 \$26 ea.

Prices

Dimensions	
A	B ML
2030	495
2036	520
2042	541
2048	569
2054	611
2060	647
2430	532
2436	559
2442	579
2448	611
2454	647
2460	687

How to Order

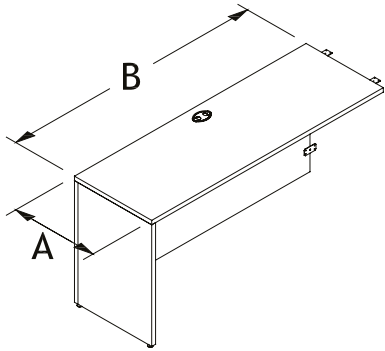
Always add the code QS

ML	AB	L R	PM SM FM (std)	NGR GRR GLR GRC (std)	CAPF CBPF CCPF ELPF (std)		
ML	AB	L R	29				
quickship	series	dimensions	code	height	modesty	grommet position	grommet style
Example QS	ML	2060	L	29	FM	GRC	ELPF

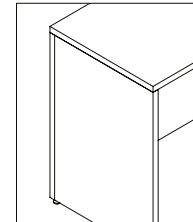
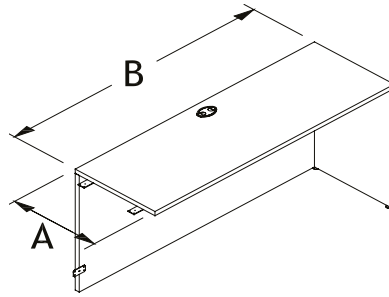
Quickship Furniture

Reversible Empty Returns

REVL



REVR



Modesty edge is visible on the side of the return

Note: A Quickship order cannot contain more than 20 products.

Manufacturing Standards

- Delivered disassembled;
- Centered ELPF grommet;
- Flush plates;
- Flush modesty;
- Height: 29".

Not compatible with lateral tables due to differences in the direction of the wood grain as well as the thickness of the modesty panel.

Modesty: If choice of modesty is not specified, the standard (FM) will be used, PM and SM modesties are available at no extra charge.

Grommet: If the grommet position is not specified, the standard is centered (GRC).

Options

Modesty

10" high
PM
\$0

18-1/2" high
SM
\$0

Full height
FM
\$0

Grommet Position

Grommet Style

\$0 \$26 ea.

Prices

Dimensions	
A	B
2030	495
2036	520
2042	541
2048	569
2054	611
2060	647
2430	532
2436	559
2442	579
2448	611
2454	647
2460	687

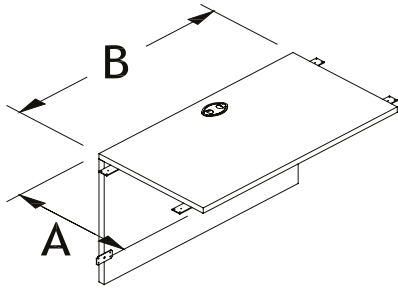
How to Order

Always add the code QS

QS	ML	AB	L R	29	REV	PM SM FM (std)	NGR GRL GRR GLR GRC (std)	CAPF CBPF CCPF ELPF (std)
quickship	series	dimensions	code	height	code	modesty	grommet position	grommet style
Example QS	ML	2060	L	29	REV	FM	GRC	ELPF

Bridges with Modesty

BR



Note: A Quickship order cannot contain more than 20 products.

Manufacturing Standards

- Delivered disassembled;
- ELPF grommet;
- Flush plates;
- Flush modesty.

Not compatible with lateral tables due to differences in the direction of the wood grain as well as the thickness of the modesty panel.

Modesty: If choice of modesty is not specified, the standard (FM) will be used, PM and SM modesties are available at no extra charge.

Grommet: If the grommet position is not specified, the standard is centered (GRC).

Options

Modesty

10" high
PM
\$0

18-1/2" high
SM
\$0

Full height
FM
\$0

Grommet Position

Grommet Style

\$0 \$26 ea.

Prices

Dimensions	
A B	ML
2036	414
2042	433
2048	448
2436	482
2442	501
2448	559

How to Order

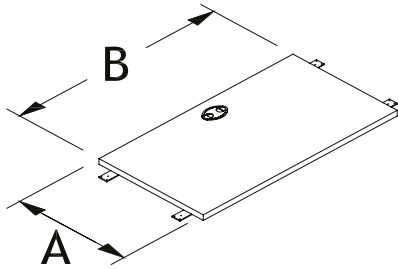
Always add the code **QS**

quickship	series	dimensions	code	modesty	grommet position	grommet style	
QS	ML	AB	BR	PM SM FM (std)	NGR GRL GRR GLR GRC (std)	CAPF CBPF CCPF ELPF (std)	
Example	QS	ML	2036	BR	FM	GRC	ELPF



Bridge Top

BRT



Note: A Quickship order cannot contain more than 20 products.

Manufacturing Standards

- ELPF grommet;
- Flush plates.

Grommet: If the grommet position is not specified, the standard is centered (GRC).

Options

Grommet Position

Grommet Style

\$0

\$26 ea.

Prices

Dimensions	
A	B
2036	137
2042	159

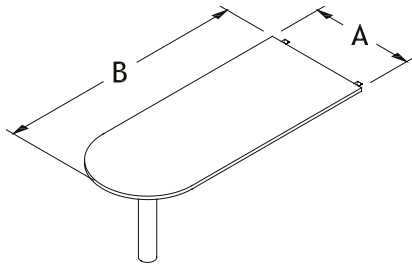
How to Order

QS Always add the code

ML	AB			NGR GRL GRR GLR GRC (std)	CAPF CBPF CCPF ELPF (std)
QS			BRT		
quickship	series	dimensions	code	grommet position	grommet style
Example QS	ML	2036	BRT	GRC	ELPF

D Tables without End Gable

TD



Note: A Quickship order cannot contain more than 20 products.

Manufacturing Standards

- Delivered disassembled;
- One 4.5" round black metal leg (4.5BL);
- Flush plates;
- Height: 29".

Table to be attached to the top of another freestanding item.

Prices

Dimensions	
A B	ML
3054	719
3060	748
3066	772
3072	795
3660	754
3666	801
3672	856
3684	950

How to Order

QS Always add the code

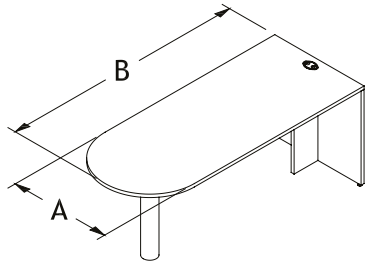
QS	ML	AB	TD	4.5BL
quickship	series	dimensions	code	leg

Example QS ML 3060 TD 4.5BL

Quickship Furniture

D Tables with End Gable

TDG



Note: A Quickship order cannot contain more than 20 products.

Manufacturing Standards

- Delivered disassembled;
- One 4.5" round black metal leg (4.5BL);
- End gable;
- ELPF grommet;
- Height: 29".

Not compatible with lateral tables, due to difference in the direction of wood grain and the thickness of the end gable.

Important: For stability purposes, a second leg is required if this table is used as a stand alone unit.

Options

Grommet Style



\$0 \$26 ea.

Prices

Dimensions	
A B	ML
3060	900
3066	932
3072	950
3084	1057
3660	921
3666	970
3672	1017
3684	1175

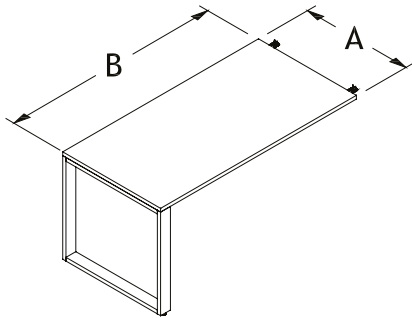
How to Order

Always add the code	ML	AB			NGR GRC (std)	CAPF CBPF CCPF ELPF (std)
QS			TDG	4.5BL		
quickship	series	dimensions	code	leg	grommet position	grommet style
Example	QS	ML	3066	TDG	4.5BL	GRC ELPF



Rectangular Tables without End Gable

REIO



Note: A Quickship order cannot contain more than 20 products.

Manufacturing Standards

- Delivered disassembled;
- Square leg in Satin Nickel;
- Support bar;
- Flush plates;
- Height: 29".

Table to be attached to the top of another freestanding item.

Prices

Dimensions	
A B	ML
3054	798
3060	825
3066	852
3072	875
3660	833
3666	881
3672	933
3684	1029

How to Order

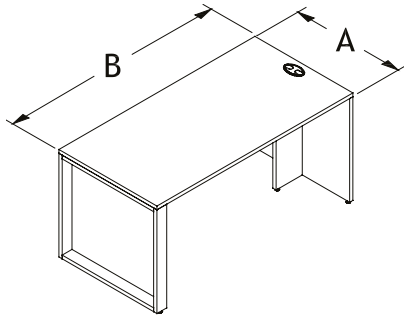
Always add the code **QS**

ML	AB	REIO	BL SN (std)
series	dimensions	code	finish
QS			
Example QS	ML 3060	REIO	SN

Quickship Furniture

Rectangular Tables with End Gable

REGO



Note: A Quickship order cannot contain more than 20 products.

Manufacturing Standards

- Delivered disassembled;
- Square leg in Satin Nickel;
- End gable;
- Support bar;
- ELPF grommet;
- Flush plates;
- Height: 29".

Freestanding tables.
Not compatible with lateral tables, due to difference in the direction of wood grain and the thickness of the end gable.

Options

Grommet Style



\$0



\$26 ea.

Prices

Dimensions	
A B	ML
3060	978
3066	1011
3072	1029
3084	1137
3660	999
3666	1050
3672	1096
3684	1253

How to Order

QS
Always add the code

	ML	AB		BL SN (std)	NGR GRC (std)	ELPF (std)
QS			REGO			
quickship	series	dimensions	code	finish	grommet position	grommet style

CAPF
CBPF
CCPF
+

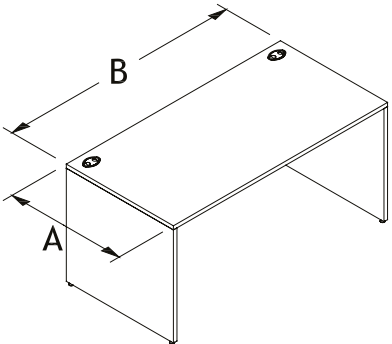
Example QS ML 3060 REGO SN GRC ELPF

Quickship Furniture

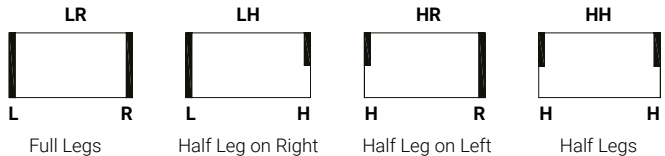


Lateral Tables, 20" and 24"

TL



Leg Bases



Note: A Quickship order cannot contain more than 20 products.

Manufacturing Standards

- Delivered disassembled;
- Centered grommet for table widths less than 48";
- Left and right grommets for table widths 48" or more;
- Flush modesty;
- Height: 29".

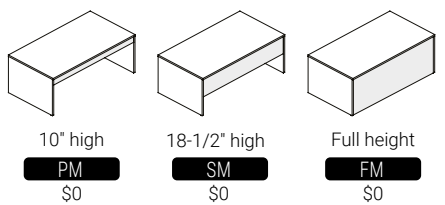
Compatible only with other lateral tables or extended corner tables because of the direction of the wood grain as well as the thickness of the leg base.

Leg Base: For support purposes, 84" tables include an additional half leg in the centre.

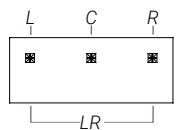
Modesty: If choice of modesty is not specified, the standard (FM) will be used, PM and SM modesties are available at no extra charge.

Options

Modesty Styles



Grommet Position



Grommet Style



Prices

Dimensions	
A	B ML
2024	520
2030	541
2036	587
2042	618
2048	647
2054	678
2060	695
2066	734
2072	763
2078	790
2084	819
2430	569
2436	618
2442	647
2448	687
2454	701
2460	734
2466	763
2472	795
2478	824
2484	856

How to Order

Always add the code QS

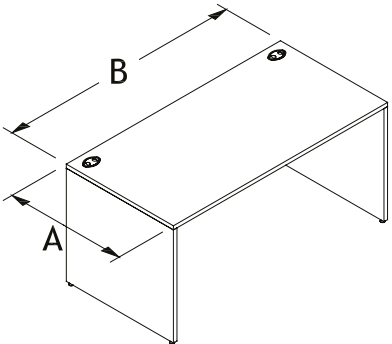
ML	AB	TL	LR LH HR HH	PM SM FM (std)	NGR GRL GRR GLR GRC	CAPF CBPF CCPF ELPF (std)	
quickship	series	dimensions	code	leg base	modesty	grommet position	grommet style
QS	ML	2072	TL	LR	FM	GRC	ELPF

Quickship Furniture

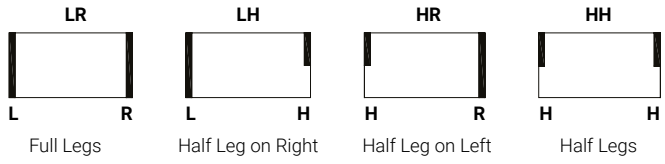


Lateral Tables, 30" and 36"

TL



Leg Bases



Note: A Quickship order cannot contain more than 20 products.

Manufacturing Standards

- Delivered disassembled;
- Centered grommet for table widths less than 48";
- Left and right grommets for table widths 48" or more;
- Flush modesty;
- Height: 29".

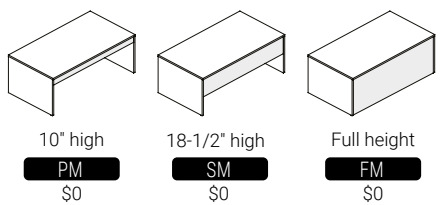
Compatible only with other lateral tables or extended corner tables because of the direction of the wood grain as well as the thickness of the leg base.

Leg Base: For support purposes, 84" tables include an additional half leg in the centre.

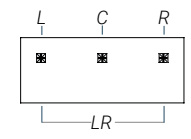
Modesty: If choice of modesty is not specified, the standard (FM) will be used, PM and SM modesties are available at no extra charge.

Options

Modesty Styles



Grommet Position



Grommet Style



Prices

Dimensions	
A	B
3024	614
3030	635
3036	657
3042	678
3048	725
3054	763
3060	785
3066	832
3072	874
3078	901
3084	939
3630	813
3636	832
3642	837
3648	856
3654	874
3660	891
3666	910
3672	941
3678	974
3684	1007

How to Order

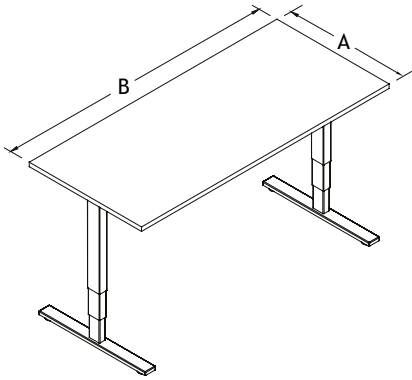
QS Always add the code

ML	AB	TL	LR LH HR HH	PM SM FM (std)	NGR GRL GRR GLR GRC	CAPF CBPF CCPF ELPF (std)	
quickship	series	dimensions	code	leg base	modesty	grommet position	grommet style
Example QS	ML	3072	TL	LR	FM	GRC	ELPF

Quickship Furniture

Rectangular Tables

T



Note: A Quickship order cannot contain more than 20 products.

Manufacturing Standards

Elevation Plus table with electric height adjustment:

- 1" laminate rectangulaire top;
- Two telescopic "T" legs (3 sections), on levelers. Metal finishes: Black or satin nickel ;
- Adjustment range: 24-1/2" to 50" H;
- 2-motor system with collision detector;
- Maximum weight load: 320 lbs;
- Programmable controller with up / down adjustment control, 3 memory settings and digital height display. The controller can be installed on the left or on the right;
- Support bar;
- Assembly required.

Maximum height of under the desk storage: 19-1/2".

Grommets are recess back 5-1/2".

Note: The dimensions of the surfaces are reduced by 1" in order to leave a clearance of 1" on the sides and in front.

Screen or modesty: To add a divider screen or modesty panel, see p. 19

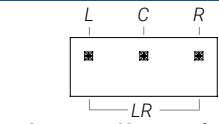
Technical Information: For full specifications see p. 10

Options



Cutout for wires

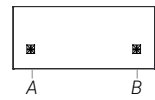
\$26 ea.



Grommet/Connectivity



\$26 ea. \$401 \$401 \$401



Wireless Charger



\$624

Prices

Dimensions

A B

23 46 1842

23 52 1859

23 58 1878

23 64 1899

23 70 1919

29 46 1856

29 52 1876

29 58 1896

29 64 1916

29 70 1936

The dimensions are reduced in order to leave a clearance of 1" on all sides of the table to prevent finger pinching.

Standards dimensions: It is possible to order tables according to the standard dimensions (ex.: 30" x 60") at the same price as the reduced dimensions (ex.: 29" x 58").

How to Order

QS

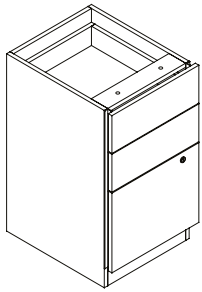
Always add the code

QS	EP	AB	T	BL SN (std)	WAVC NWAV (std)	GRL GRC GRR GLR NGR (std)	MH3A MH3B MH3C MH3D	L C R LR	QIBLA QIBLB
quickship	series	dimensions	product	leg finish	cutout (Appx. I)	grommet position	connectivity+position (Appx. B)		Qi
Example QS	EP	29 58	T	SN	NWAV	GRC	MH3BR		QIBLA

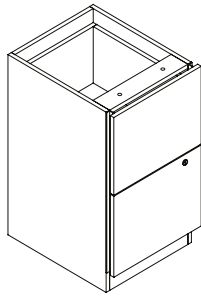
Quickship Furniture

Independent E and F Pedestals

EIND



FIND



Note: A Quickship order cannot contain more than 20 products.

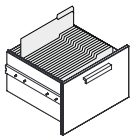
Manufacturing Standards

- Pedestals without tops;
- Depth of 17-3/4";
- E = 2 utility drawers and 1 file drawer;
- F = 2 file drawers;
- PVC extrusion for lateral opening of drawers, handles as option;
- Lock.

Handles: Handles are an option, please choose from the Logiflex list. Add \$14 retail each.

Options

Legal Size



X

Prices

Dimensions

A	ML
EIND	865
EINDX	942

FIND	865
FINDX	942

How to Order

Always add the code **QS**

quickship	series	code	legal size	handles (p. 62)
ML	EIND FIND	X		

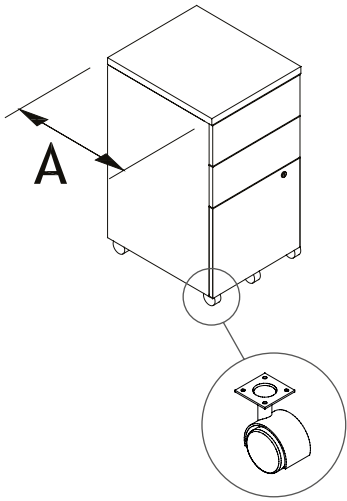
Example

QS	ML	EIND	X	
----	----	------	---	--

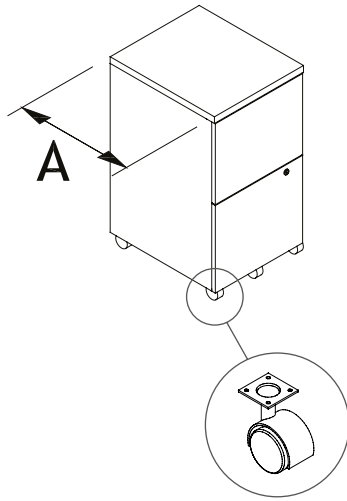
Quickship Furniture

Mobile E and F Pedestals - Letter Size

MOBE



MOBF



Note: A Quickship order cannot contain more than 20 products.

Manufacturing Standards

- Delivered with the casters disassembled;
- E = 2 utility drawers and 1 letter size file drawer;
- F = 2 letter size file drawers;
- PVC extrusion for lateral opening of drawers, handles as option; Lock;
- 5 casters;
- Height: 27-3/8".

Counterweight: A 45 lb counterweight is included for pedestals that are 18" deep. If you would like to add a 45 lb counterweight to a pedestal with a different depth, please indicate option (CPDS). Add \$189 .

Handles: Handles are an option, please choose from the Logiflex list. Add \$14 retail each.

Prices

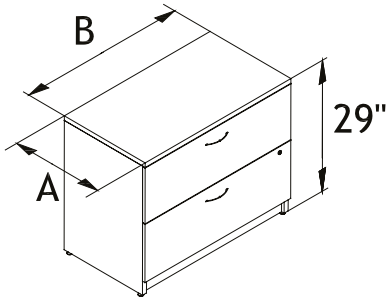
Depth	ML
18	916
23	916
29	982

How to Order

<p>Always add the code</p>	ML		E F	A	CPDS	HJAB (std)	+
	quickship	series	code	pedestal	depth	counter weight	
Example	QS	ML	MOB	E	23	CPDS	HJAB

Lateral Filing Cabinets

CL2



Note: A Quickship order cannot contain more than 20 products.

Manufacturing Standards

- 2 lateral filing drawers;
- HJAB handles;
- Black interlock locks;
- 2 crossbars per file drawer;
- Counterweight (CL2 only).

Handles: For handles other than HJAB standard, please choose from the Logiflex list at no extra charge.

Prices

Dimensions	
A B	ML
2030	1106
2036	1196
2042	1303
2430	1181
2436	1273
2442	1377

How to Order

QS	ML	CL	AB	2	HJAB (std)
quickship	series	code	dimensions	drawers	handles
Example QS	ML	CL	2036	2	HJAB

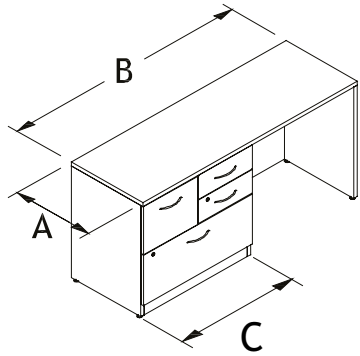
Note: Always add the code QS

Quickship Furniture



Credenzas with Combination Pedestal on Left

CCBCL



Note: A Quickship order cannot contain more than 20 products.

Manufacturing Standards

- 2 utility drawers, one file drawer and one lateral file drawer;
- HJAB handles;
- Locks;
- Flush modesty;
- Height: 29".

Modesty: If choice of modesty is not specified, the standard (FM) will be used, PM and SM modesties are available at no extra charge.

Grommets: Add ELPF grommets at no charge.

Handles: For handles other than HJAB standard, please choose from the Logiflex list at no extra charge.

Options

Modesty

10" high
PM
\$0

18-1/2" high
SM
\$0

Full height
FM
\$0

Grommet Position

Grommet Style

\$0

\$26 ea.

Prices

Dimensions	
A B C	ML
206030	1850
206630	1903
207230	1960
208430	2069
246030	1931
246630	1980
247230	2037
248430	2159
206036	1960
206636	2007
207236	2060
208436	2176
246036	2037
246636	2091
247236	2144
248436	2264

How to Order

QS
Always add the code

+

ML	C	AB	PM SM FM (std)	GRL GRR GLR GRC	CAPF CBPF CCPF ELPF (std)	HJAB (std)
quickship	series	pedestal	modesty	grommet position	grommet style	handles
QS	ML	CBCL	FM	GRC	ELPF	HJAB

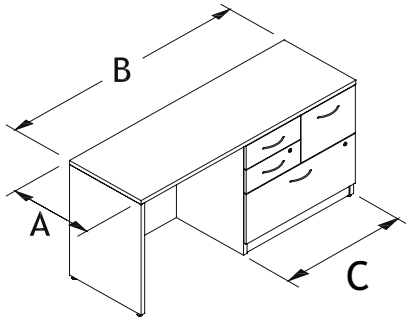
Example

Quickship Furniture



Credenzas with Combination Pedestal on Right

CBCCL



Note: A Quickship order cannot contain more than 20 products.

Manufacturing Standards

- 2 utility drawers, one file drawer and one lateral file drawer;
- HJAB handles;
- Locks;
- Flush modesty;
- Height: 29".

Modesty: If choice of modesty is not specified, the standard (FM) will be used, PM and SM modesties are available at no extra charge.

Grommets: Add ELPF grommets at no charge.

Handles: For handles other than HJAB standard, please choose from the Logiflex list at no extra charge.

Options

Modesty

10" high
PM
\$0

18-1/2" high
SM
\$0

Full height
FM
\$0

Grommet Position

Grommet Style

\$0 \$26 ea.

Prices

Dimensions	
A B C	ML
206030	1850
206630	1903
207230	1960
208430	2069
246030	1931
246630	1980
247230	2037
248430	2159
206036	1960
206636	2007
207236	2060
208436	2176
246036	2037
246636	2091
247236	2144
248436	2264

How to Order

Always add the code QS

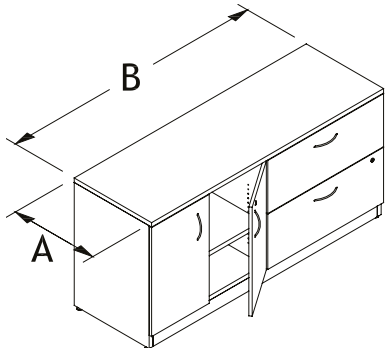
ML	AB	C	PM SM FM (std)	GRL GRR GLR GRC	CAPF CBPF CCPF ELPF (std)	HJAB (std)		
quickship	series	dimensions	pedestal	pedestal width	modesty	grommet position	grommet style	handles
QS	ML	2060	BCCL	30	FM	GRC	ELPF	HJAB

Example

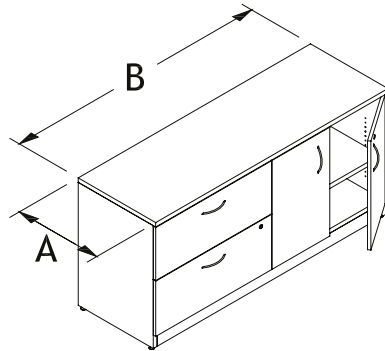


Combination Credenzas with Lateral File Drawers and Cabinet

ARCL



CLAR



Note: A Quickship order cannot contain more than 20 products.



Manufacturing Standards

- 1 lateral file drawer and 1 cabinet on left or right;
- HJAB handles;
- Locks;
- Adjustable shelf;
- 2 crossbars per file drawer;
- Height: 29".

Handles: For handles other than HJAB standard, please choose from the Logiflex list at no extra charge.



Prices

Dimensions	
A B	ML
2060	1872
2066	1911
2072	1960
2084	2060
2460	2008
2466	2051
2472	2098
2484	2255

How to Order

QS

Always add the code

ML	AB	ARCL CLAR	HJAB (std)
QS			
quickship	series	dimensions	code
handles			

Example

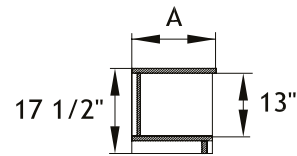
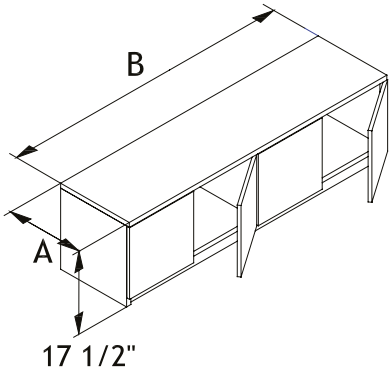
QS	ML	2060	ARCL	HJAB
----	----	------	------	------

Quickship Furniture



Wall Hutches with Doors

HPW



Note: A Quickship order cannot contain more than 20 products.

Manufacturing Standards

- Task light concealer;
- Z-bar wall mount.

Number of Doors:
30" - 42": 2 doors, 48" - 54": 3 doors, 60" - 72": 4 doors, 84": 5 doors.

Dividers: Offered as option. Pre-drilled holes for dividers (DVD), set of 3 wire dividers included.

Attention: Logiflex is not responsible for the installation of wall hutches. This responsibility belongs entirely to the distributor or the client.

Options

Pre-drilled Holes with 3 Dividers

DVD
\$29

Task Light

\$\$

Prices

Dimensions	
A	B ML
1630	559
1636	635
1642	715
1648	795
1654	900
1660	982
1666	1066
1672	1109
1684	1210

How to Order

QS Always add the code

ML	AB	DVD	HPW	Task Light
series	dimensions	dividers	code	task light (p. 62)
ML	1636	DVD	HPW	

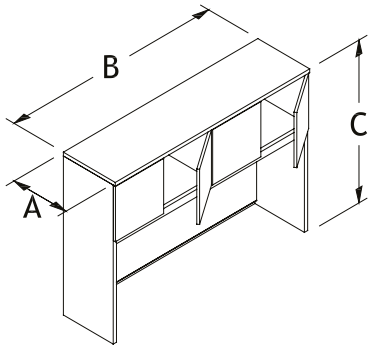
Example | QS | ML | 1636 | HPW | DVD |

Quickship Furniture

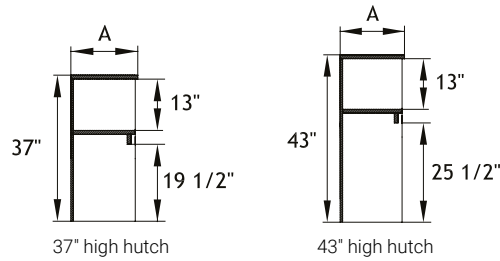
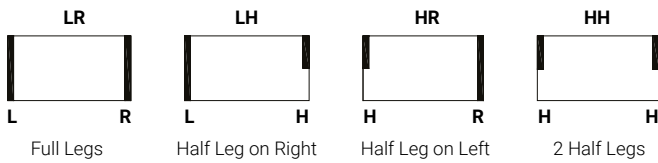


Desk Hutches with Doors

HP



Leg Bases



Note: A Quickship order cannot contain more than 20 products.

Manufacturing Standards

- Horizontal wood grain on back panel;
- Task light concealer;

Number of Doors:

30" - 42": 2 doors, 48" - 54": 3 doors, 60" - 72": 4 doors, 84": 5 doors.

Tackboards: A fabric (TB) tackboard can be added.

Leg Base: If the choice of base is not specified, the standard is 2 full legs (LR). For 1/2 leg on left or right (HR or LH) add \$43 retail. For two half legs (HH), add \$86 retail. **Warning:** hutches with half legs (HH) must be secured to the wall or adjacent furniture so that they do not tip forward. Logiflex is not responsible for any accidents caused by incorrectly installed hutches.

Dividers: Offered as option. Pre-drilled holes for dividers (DVD), set of 3 wire dividers included.

Options

Tackboard	Pre-drilled Holes with 3 Dividers	Task Light
	DVD \$29	SS

Prices

Dimensions	
A B C	ML
163037	776
163637	868
164237	907
164837	990
165437	1230
166037	1238
166637	1282
167237	1380
168437	1498
163043	860
163643	960
164243	999
164843	1094
165443	1316
166043	1373
166643	1418
167243	1523
168443	1696

How to Order

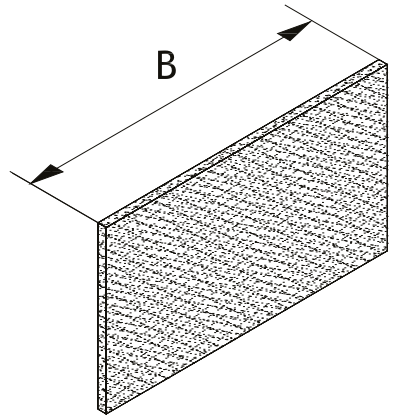
Always add the code QS

ML	AB	C	TB LI	HH HR LH LR (std)	DVD	T524 T536 T548 DEL20	
quickship	series	dimensions	tackboard (p. 43)	leg base	dividers	task light (p. 62)	
Example QS	ML	1636	HP	43	TB	LR	DVD

Quickship Furniture

Fabric Tackboards for Hutches

TB



Note: A Quickship order cannot contain more than 20 products.

Manufacturing Standards

Standard Fabric: Please choose from the Logiflex color chart.

Chair Fabric: Please submit a quotation request providing the following information: manufacturer's name, pattern name/number and color name/number. Price available upon request.

COM Fabric: (Provided by the customer). COM fabrics must be sent directly to your Customer Service Representative, **Prepaid**. It is important to indicate the reference number of your purchase order on the package containing your fabric.

Tackboards with COM Fabric:
 36" tackboards = 1.5 yards
 48" tackboards = 2 yards
 72" tackboards = 2.5 yards
 84" - 96" tackboards = 3 yards

Tackboards for Existing Hutches:
 If ordering a tackboard for an existing hutch, please specify the code of the existing hutch. Logiflex can then make the tackboard to the exact dimensions for easy installation of the product.

Prices

Dimensions	COM												
B	GRA	GR1	GR2	GR3	GR4	GR5	GR6	GR7	GR8	GR9	GR10	GR11	GR12
30	300	333	377	421	476	531	586	641	696	751	806	916	1 026
36	300	333	377	421	476	531	586	641	696	751	806	916	1 026
42	300	333	377	421	476	531	586	641	696	751	806	916	1 026
48	300	333	377	421	476	531	586	641	696	751	806	916	1 026
54	300	333	377	421	476	531	586	641	696	751	806	916	1 026
60	404	437	481	525	580	635	690	745	800	855	910	1 020	1 130
66	404	437	481	525	580	635	690	745	800	855	910	1 020	1 130
72	445	486	541	596	665	734	802	871	940	1 009	1 077	1 215	1 352
84	491	541	607	673	756	838	921	1 003	1 086	1 168	1 251	1 416	1 581

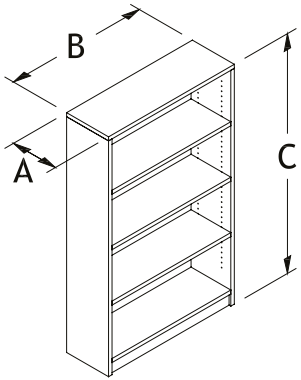
How to Order

Always add the code **QS**

quickship	series	dimensions	code	fabric	existing hutch height	fabric
QS	ML	B	TB	GR1 GR2 GR3 GR4 GR5 COM	37 43	See Logiflex color chart or COM fabric number
Example	QS	36	TB	GR1	37	

36" Bookcases with Masonite Back

BB36



Note: A Quickship order cannot contain more than 20 products.

Manufacturing Standards

- 1" thick adjustable shelves;
- Shelf brackets;
- Black masonite back.

Number of adjustable shelves included:
 Less than 29" H: 1 shelf, 36" - 47"H: 2 shelves,
 48" - 65"H: 3 shelves, 66" - 83"H: 4 shelves,
 more than 84"H: 5 shelves.

Adjustable shelves (SH): see Appendix F for prices, p.12

Options

Adjustable Shelves

Prices

Dimensions			
A	B	C	ML
123629			520
123636			541
123642			559
123648			579
123654			597
123660			618
123666			657
123672			801
123684			910

How to Order

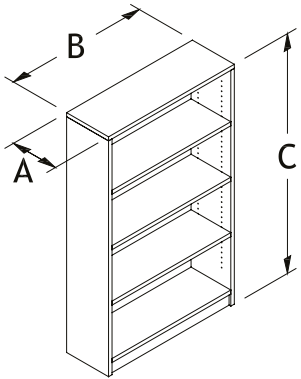
QS Always add the code

ML	ABC	SH
QS	BB	
quickship	series code	dimensions shelves

Example QS ML BB 123666 SH

36" Bookcases with Laminate Back

BBL36



Note: A Quickship order cannot contain more than 20 products.

Manufacturing Standards

- 1" thick adjustable shelves;
- 5/8" thick laminate back.
- Shelf brackets;

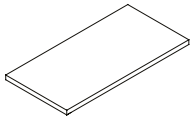
Number of adjustable shelves included:

Less than 29" H: 1 shelf, 36" - 47"H: 2 shelves,
48" - 65"H: 3 shelves, 66" - 83"H: 4 shelves,
more than 84"H: 5 shelves.

Adjustable shelves (SH): see Appendix F for prices, [p.12](#)

Options

Adjustable Shelves



Prices

Dimensions			ML
A	B	C	
123629			626
123636			666
123642			701
123648			725
123654			748
123660			772
123666			823
123672			970
123684			1087

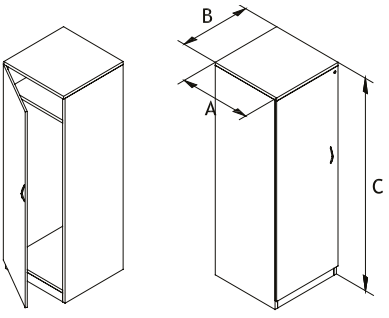
How to Order

QS Always add the code

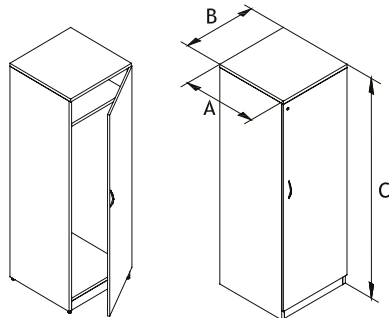
ML	ABC	SH
QS	BBL	
quickship	series code	dimensions shelves
Example	QS ML BBL	123666 SH

Wardrobes with One Door

VL Door opening to the left



VR Door opening to the right



Note: A Quickship order cannot contain more than 20 products.

Manufacturing Standards

- Fixed shelf (8" clearance between shelf and top);
- Clothes rail;
- HJAB handle;
- Lock;
- 5/8" laminate back;
- Ventilation grill in back panel.

Handles: For handles other than HJAB standard, please choose from the Logiflex list at no extra charge.

Prices

Dimensions	
A B C	ML
201866	839
202466	960
241866	1028
242466	1078
201872	919
202472	1041
241872	1108
242472	1187
201884	1078
202484	1183
241884	1268
242484	1345

How to Order

Always add the code **QS**

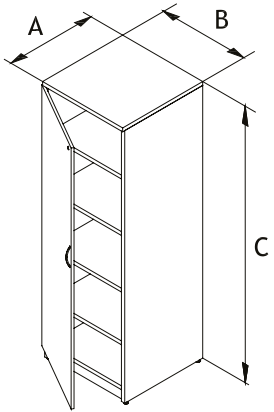
ML	ABC	VL VR	HJAB (std)
quickship	series	dimension	code
handle			

Example | QS | ML | 202466 | VL | HJAB

Cabinets with One Door

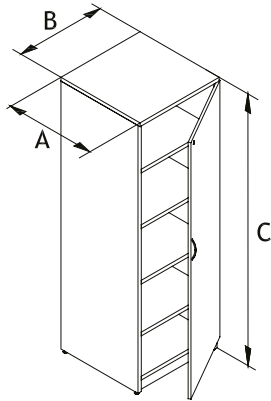
ARL

Door opening to the left



ARR

Door opening to the right



Note: A Quickship order cannot contain more than 20 products.

Manufacturing Standards

- Adjustable shelves;
- Shelf brackets;
- HJAB handle;
- Lock;
- 5/8" laminate back.

Number of adjustable shelves included:

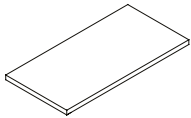
Less than 29" H: 1 shelf, 36" - 47"H: 2 shelves,
48" - 65"H: 3 shelves, 66" - 83"H: 4 shelves,
more than 84"H: 5 shelves.

Tablettes ajustables (SH): voir Annexe G pour les prix, p. 12.

Handles: For handles other than HJAB standard, please choose from the Logiflex list at no extra charge.

Options

Adjustable Shelves



Prices

Dimensions			
A	B	C	ML
201866			1036
202466			1156
241866			1220
242466			1303
201872			1111
202472			1252
241872			1302
242472			1380

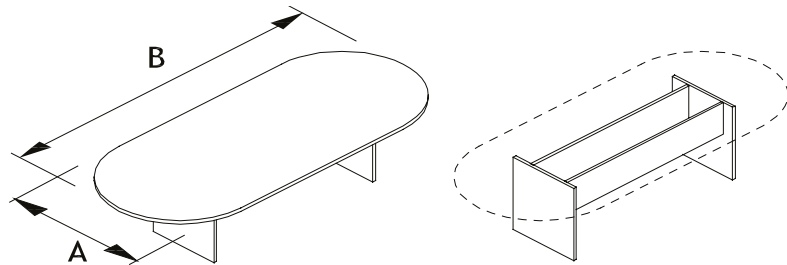
How to Order

Always add the code QS

QS	ML	ABC	ARL ARR	HJAB (std)	SH
quickship	series	dimensions	code	handle	shelves
Example QS	ML	241866	ARL	HJAB	SH

Racetrack on H Bases

RTH



Note: A Quickship order cannot contain more than 20 products.

Manufacturing Standards

- Tables delivered disassembled;
- Laminate base.

Bases: For the number of bases, see [appendix G](#).

Surfaces: For the number of surfaces and the wood grain direction, see [appendix J](#).

Prices

Dimensions	
A B	ML
4284	1408
4296	1517
42108	1628
4884	1517
4896	1527
48120	1887
48144	1944
60168	2799

How to Order

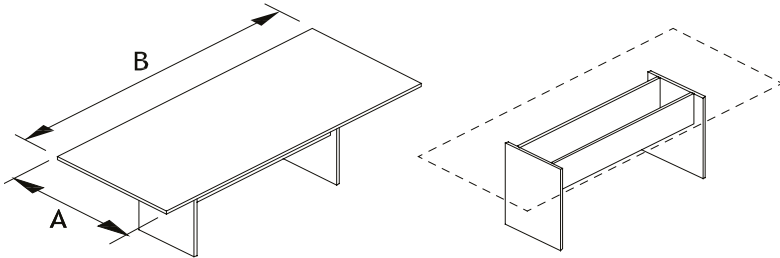
QS Always add the code

QS	ML	AB	RT	H
quickship	series	dimensions	top	bases

Example QS ML 4884 RT H

Rectangular on H Bases

TH



Note: A Quickship order cannot contain more than 20 products.

Manufacturing Standards

- Tables delivered disassembled;
- Laminate base.

Bases: For the number of bases, see [appendix G](#).

Surfaces: For the number of surfaces and the wood grain direction, see [appendix J](#).

Prices

Dimensions	
A B	ML
4284	1206
4296	1318
42108	1544
4884	1318
4896	1443
48120	1770
48144	1936
60168	2484

How to Order

QS Always add the code

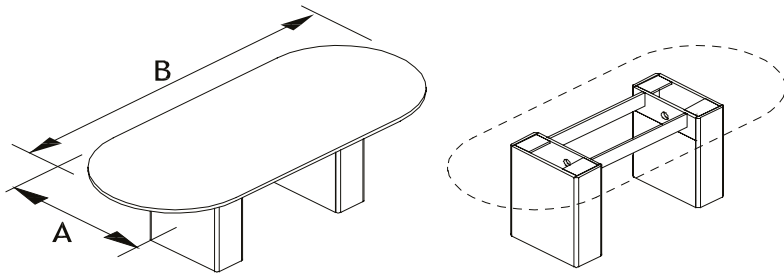
QS	ML	AB	T	H
quickship	series	dimensions	top	bases

Example QS ML 4884 T H

Quickship Furniture

Racetrack on Rectangular Bases

RTRE



Note: A Quickship order cannot contain more than 20 products.

Manufacturing Standards

- Tables delivered disassembled;
- Laminate base.

Bases: For the number of bases, see [appendix G](#).

Surfaces: For the number of surfaces and the wood grain direction, see [appendix J](#).

To add one or more access doors to the base(s) add code (AD), \$ 272 retail per access door.

Prices

Dimensions	
A B	ML
4284	1894
4296	1983
42108	2609
4884	1983
4896	2092
48120	2300
48144	3045
60168	3705

How to Order

Always add the code QS

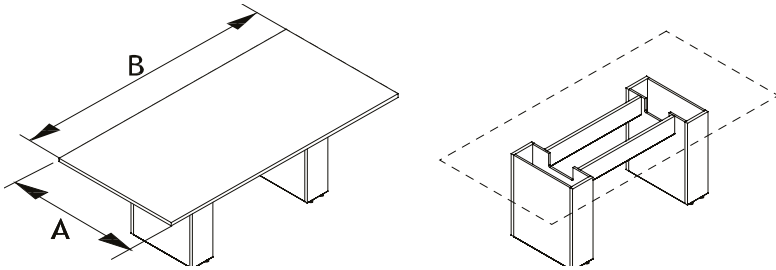
QS	ML	AB	RT	RE	AD	LCR LR
quickship	series	dimensions	top	bases	access door and position	

Example QS ML 48120 RT RE AD C

Quickship Furniture

Rectangular on Rectangular Bases

TRE



Note: A Quickship order cannot contain more than 20 products.

Manufacturing Standards

- Tables delivered disassembled;
- Laminate base.

Bases: For the number of bases, see [appendix G](#).

Surfaces: For the number of surfaces and the wood grain direction, see [appendix J](#).

To add one or more access doors to the base(s) add code (AD), \$ 272 retail per access door.

Prices

Dimensions	
A B	ML
4284	1727
4296	1820
42108	2139
4884	1820
4896	1930
48120	2454
48144	2893
60168	3557

How to Order

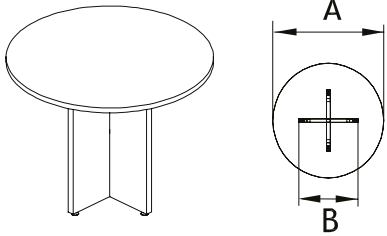
Always add the code QS

ML	AB	AD	LCR LR
QS		T	RE
quickship	series	dimensions	top bases
			access door and position

Example QS ML 48120 T RE AD C

All Purpose Tables

TRX



Note: A Quickship order cannot contain more than 20 products.

Manufacturing Standards

- Delivered disassembled;
- Round table on laminate cross base;
- Height: 29".

Prices

Dimensions	
A	B
3016	565
3620	625
4224	687
4830	861
5433	960
6036	1083

How to Order

QS
Always add the code

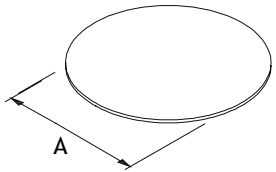
QS	ML	A	TR	X	B
quickship	series	top dimension	product	base	base dimensions

Example QS ML 30 TR X 16



Round Top

TRTOP



Note: A Quickship order cannot contain more than 20 products.

Manufacturing Standards

- Round table top.

Prices

Dimensions	
A	ML
20	100
24	116
30	181
36	261
42	355
48	464
54	587
60	725

How to Order

QS Always add the code

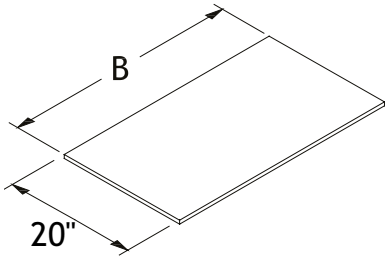
QS	ML	A	TRTOP
quickship	series	dimensions	code

Example QS ML 30 TRTOP

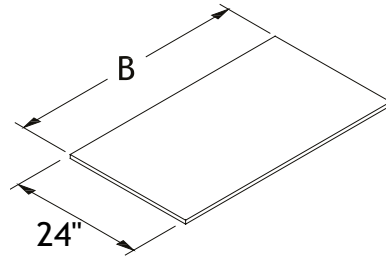


Rectangular Tops

TOP - 20"



TOP - 24"



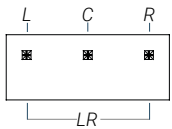
Note: A Quickship order cannot contain more than 20 products.

Manufacturing Standards

- Rectangular table top.

Options

Grommet Position



Grommet Style



\$0 ea.

\$26 ea.

Prices

Dimensions	
A	B
2024	100
2030	100
2036	115
2042	134
2048	153
2054	173
2060	192
2066	211
2072	230
2078	249
2084	268
2424	100
2430	115
2436	138
2442	161
2448	184
2454	207
2460	230
2466	253
2472	276
2478	299
2484	322

How to Order

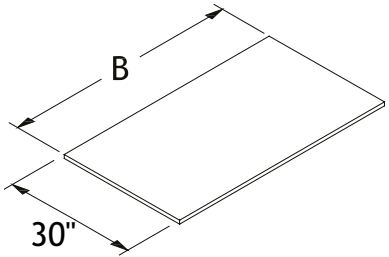
QS Always add the code

ML	AB	TOP	GRL GRR GLR GRC	CAPF CBPF CCPF ELPF (std)	
quickship	series	dimensions	code	grommet position	grommet style
Example QS	ML	2060	TOP	GRC	ELPF

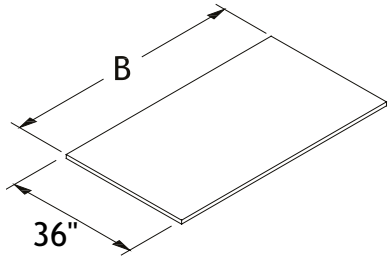


Rectangular Tops

TOP - 30"



TOP - 36"



Note: A Quickship order cannot contain more than 20 products.

Manufacturing Standards

- Rectangular table top.

Options

Grommet Position

Grommet Style

\$0 ea. \$26 ea.

Prices

Dimensions	
A	B
3024	115
3030	144
3036	173
3042	201
3048	230
3054	259
3060	288
3066	316
3072	345
3078	374
3084	403
3624	144
3630	180
3636	216
3642	252
3648	288
3654	324
3660	360
3666	396
3672	432
3678	468
3684	504

How to Order

QS Always add the code

ML	AB			+	
quickship	series	dimensions	code	grommet position	grommet style
QS	ML	3060	TOP	GRC	ELPF

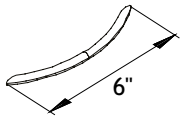
GRL CAPF
 GRR CBPF
 GLR CCPF
 GRC **ELPF (std)**

Quickship Furniture

Handles

HJA

Handle

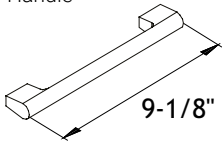


- 6" metal handle;
- 5-1/32" (128mm) center to center.

Code	\$	Description
HJA	14	<i>Satin Nickel</i>
HJAB	14	<i>Black</i>

H011

Handle

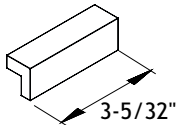


- 9-1/8" metal handle;
- 8-13/16" (224mm) center to center.

Code	\$	Description
H011	14	<i>Satin Nickel</i>

H051

Handle

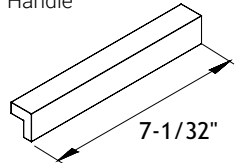


- 3-5/32" metal handle;
- 2-17/32" (64mm) center to center.

Code	\$	Description
H051CHR	14	<i>Chrome</i>
H051SN	14	<i>Satin Nickel</i>
H051BL	14	<i>Black</i>
H051WH	14	<i>White</i>

H052

Handle

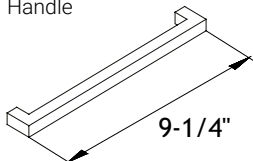


- 7-1/32" metal handle;
- 6-9/32" (160mm) center to center.

Code	\$	Description
H052CHR	14	<i>Chrome</i>
H052SN	14	<i>Satin Nickel</i>
H052BL	14	<i>Black</i>
H052WH	14	<i>White</i>

H060

Handle

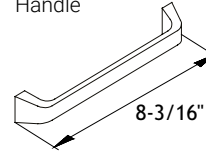


- 9-1/4" metal handle;
- 8-3/4" (222.25mm) center to center.

Code	\$	Description
H060BN	14	<i>Brushed Nickel</i>
H060CHR	14	<i>Chrome</i>

H070

Handle

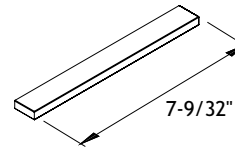


- 8-3/16" metal handle;
- 7-1/2" (190.5mm) center to center.

Code	\$	Description
H070BN	14	<i>Brushed Nickel</i>
H070CHR	14	<i>Chrome</i>

H071

Handle

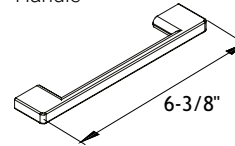


- 7-9/32" metal handle;
- 6-5/16" (160.338mm) center to center.

Code	\$	Description
H071CHR	14	<i>Chrome</i>
H071BN	14	<i>Brushed Nickel</i>
H071BL	14	<i>Black</i>
H071WH	14	<i>White</i>

H072

Handle

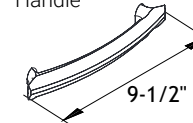


- 6-3/8" metal handle;
- 5-1/32" (127.8mm) center to center.

Code	\$	Description
H072CHR	14	<i>Chrome</i>
H072BL	14	<i>Black</i>
H072WH	14	<i>White</i>

SXP002

Handle

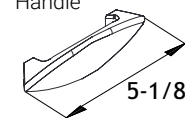


- 9-1/2" metal handle;
- 7-9/16" (192mm) center to center.

Code	\$	Description
SXP002	14	<i>Satin Nickel</i>

SXP003

Handle



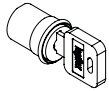
- 5-1/8" metal handle;
- 3-25/32" (96mm) center to center.

Code	\$	Description
SXP003	14	<i>Satin Nickel</i>

Miscellaneous Accessoires

LK

Lock/Key



- Locks with keys
- Finish: Satin nickel or black finish;
- Additional locks, sold separately or factory installed;
- Please specify the type of furniture on which the will be installed.

Code	\$	Description
LKSN	44	Satin Nickel lock (factory installed)
LKBL	44	Black lock (factory installed)

LKSNF	29	Satin Nickel front lock
LKBLF	29	Black front lock

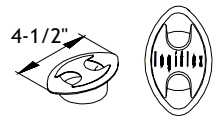
LKSNP	29	Satin Nickel door lock
LKBLP	29	Black door lock

KEY	24	Set of 2 keys - #501 - 600
SERR 010	24	1 master key



ELPF

Black Plastic Grommet

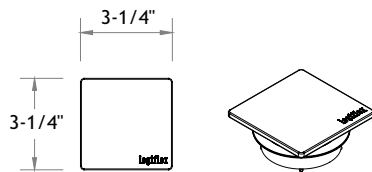


- Standard black plastic grommet with the Logiflex logo engraved;
- 2-1/2" diameter cutout.

Code	\$	Description
ELPF	6	Unit price

C_PF

Grommet

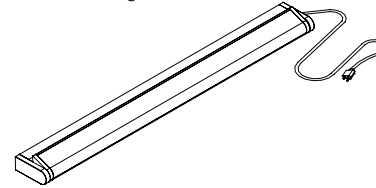


- Square metal grommet with the Logiflex logo engraved;
- Finish: Satin Nickel, Black and Chrome;
- 2-1/2" diameter cutout.

Code	\$	Description
CAPF	26	Unit price - Satin Nickel
CBPF	26	Unit price - Black
CCPF	26	Unit price - Chrome
CDPF	26	Unit price - White

DEL20

LED task light



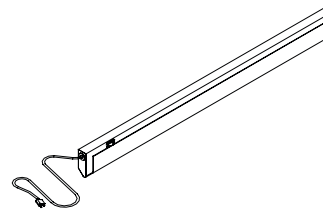
- 20" LED task light, 7.5W, cool white;
- 180° swivel feature;
- 72" power cable with electric plug;
- 20" connection wire for DEL20 task lamps;
- Finish: Satin nickel.



Code	\$	Description
DEL20	218	20" length

T5

Florescent task light



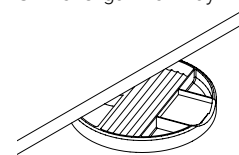
- Florescent lamp (T5) with swivel reflector and electronic ballast;
- 120" power cable with electric plug;
- 16" connection wire for T524, T536 or T548 florescent task lamps;
- Finish: Black and Satin Nickel



Code	\$	Description
T524 BL	177	24" length - Black
T524SN	177	24" length - Satin Nickel
T536 BL	238	36" length - Black
T536 SN	238	36" length - Satin Nickel
T548 BL	314	48" length - Black
T548 SN	314	48" length - Satin Nickel

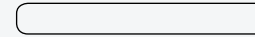
SWV

Swivel Organizer Tray



- Storage drawer that rotate 360 degrees;
- Mounts flush to the edge;
- Dimensions: 7-1/2"D x 8-7/8"W x 1"H.

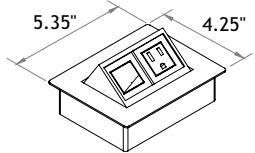
Code	\$	Description
SWV	63	



Electrical Accessories

MH3A

Connectivity unit



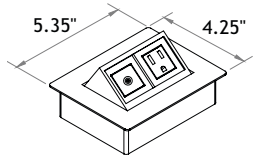
- Retractable connectivity unit with 1 electrical outlet and 1 empty telecommunication outlet (outlet not included);
- 72" or 120" power cable with electric plug;
- Finish: Satin Nickel.



Code	S	Description
MH3A	401	Satin Nickel, 72" power cable
MH3A120	415	Satin Nickel, 120" power cable

MH3B

Connectivity unit



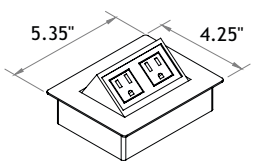
- Retractable connectivity unit with 1 audio jack and 1 electrical outlet;
- 72" or 120" power cable with electric plug;
- Finish: Satin Nickel.



Code	S	Description
MH3B	401	Satin Nickel, 72" power cable
MH3B120	415	Satin Nickel, 120" power cable

MH3C

Connectivity unit



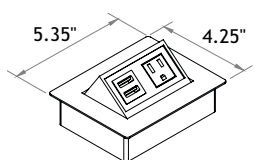
- Retractable connectivity unit with 2 electrical outlets;
- 72" or 120" power cable with electric plug;
- Finish: Satin Nickel.



Code	S	Description
MH3C	401	Satin Nickel, 72" power cable
MH3C120	415	Satin Nickel, 120" power cable

MH3D

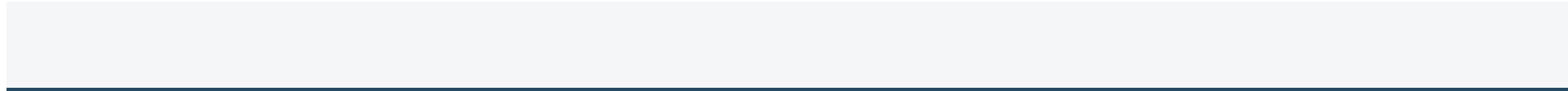
Connectivity unit



- Retractable connectivity unit with 1 electrical outlet and 2 USB (chargers);
- 72" or 120" power cable with electric plug;
- Finish: Satin Nickel.



Code	S	Description
MH3DSN	401	Satin Nickel, 72" power cable
MH3DSN120	415	Satin Nickel, 120" power cable
MH3DBL	401	Black, 72" power cable
MH3DWH	401	White, 72" power cable



As our product line is constantly evolving and expanding, we recommend that you visit logiflex.ca for updates.

logiflex

1235 St-Roch N., Sherbrooke QC J1N 0H2 Canada
T : 1.877.864.9323 | F : 1.800.474.7830 | logiflex.ca

