

Price List
CANADA 2023



logiflex

Table of Contents

Introduction	3	Tables	24	Wardrobes	47
Product Map	5	D Tables without End Gable	25	Wardrobes with One Door	48
Our social responsibility	6	D Tables with End Gable	26	Wardrobes	48
Conditions of Sale	6	Rectangular Tables without End Gable	27	Cabinets with One Door	49
Manufacturing Standards	8	Rectangular Tables with End Gable	28		
How to Use the Price List	9	Lateral Tables	29	Conference Tables	50
Appendix A: Colors and Finishes	10	Lateral Tables, 20" and 24"	29	Racetrack on H Bases	51
Appendix B: Surfaces and Molding Edges	11	Lateral Tables, 30" and 36"	30	Rectangular on H Bases	52
Appendix C: Modesty Panels	12	Rectangular Tables	31	Racetrack on Rectangular Bases	53
Appendix D: Wood Grain	12			Rectangular on Rectangular Bases	54
Appendix E: Pedestals and File Drawers	12	Pedestals	32		
Appendix F: Pricing for Additional Adjustable Shelves	12	Independent E and F Pedestals	33	Complimentary Furniture	55
Appendix G: Bases	13	Mobile E and F Pedestals - Letter Size	34	All Purpose Tables	56
Appendix H: Seating Capacity	13	Lateral Filing Cabinets	35		
Appendix I: Grommet and Communication Box for Height Adjustable Tables	14			Desk and Table Tops	57
Appendix J: Conference Table Surfaces	15	Credenzas	36	Round Top	58
		Combination Credenzas	37	Rectangular Tops	59
Desks	16	Hutches and Wall Storage	40	Accessories	61
Shells (Empty Desks)	17	Wall Hutches	41	Handles	62
Desks with Convex Front	18	Desk Hutches	42	Miscellaneous Accessoires	63
		Tackboards	43	Electrical Accessories	64
Returns and Bridges	19	Bookcases	44		
Empty Returns	20	Bookcases	45		
Reversible Empty Returns	21	36" Bookcases with Laminate Back	46		
Bridges with Modesty	22				
Bridge Top	23				

Update Summary

The Quickship price list presents these principal modifications:

DATE	SECTION	MODIFICATIONS
July 24, 2023	Hutches	<ul style="list-style-type: none"> Removal of the wiring space at the bottom of hutches.

Previous updates:

DATE	SECTION	MODIFICATIONS
February 1, 2023	All the Price List	<ul style="list-style-type: none"> All prices have been increased by approximately 5%. Revomal of PSQ & OVAM legs. Transition from 6 to 14 grades of fabric. New certification Indoor Advantage Gold (replace Greenguard).
	Tables	<ul style="list-style-type: none"> Replacement of the BAS elevation table by T.
July 1, 2022	All the Price List	<ul style="list-style-type: none"> All prices have been increased by approximately 5%.
	Appendix A	<ul style="list-style-type: none"> Color availability chart update for the HPL.
	Accessories	<ul style="list-style-type: none"> Change of the flexible grommet by a space for wiring (all hutches).
June 1, 2022	Conference Tables	<ul style="list-style-type: none"> Modification of the manufacturing standard for 1" conference tables.
February 1, 2022	All the Price List	<ul style="list-style-type: none"> All prices have been increased by 6%. Addition of the white metal.
	Conditions of Sales	<ul style="list-style-type: none"> The order modification / cancellation deadline is changed to 48 hours.

Introduction

Product Map

Desks

Returns

Shells (Empty Desks) p. 17

Returns and Bridges p. 20

Tables

Pedestals

Tables p. 25

Pedestals p. 33

Credenzas

Hutches and Tackboards

Bookcases

Wardrobes

Credenzas p. 37

Hutches and Tackboards p. 41

Bookcases p. 45

Wardrobes p. 48

Conference Tables

All Purpose Tables

Desk and Table Tops

Conference Tables p. 51

All Purpose Tables p. 56

Desk and Table Tops p. 58



Our social responsibility

At Logiflex, we have chosen to be a responsible North American manufacturer by implementing initiatives for sustainable development. As much as possible, we source local materials and partner with suppliers who prioritize clean manufacturing processes. We also consolidate goods during transport to reduce our fuel consumption and we continually make changes that help reduce our waste production.

The company is ISO 9001 certified.

You can consult our eco-responsible approach as well as all our certifications in the [Certifications](#) section of our website. Find out how our products can help you obtain LEED credits and the Logiflex products that are Indoor Advantage Gold certified.

Conditions of Sale

Prices

The amounts listed in this document are suggested retail prices and may be changed without notice. Applicable taxes are not included. If you have an open and active account with Logiflex, merchandise will be invoiced at the prices prevailing at the time of shipment. A deposit may be requested if the opening of your account has not been completed or if your account has become inactive.

Terms of Payment

Net 30 days F.O.B. Sherbrooke, Quebec. The invoice will be assigned the shipping date and is payable 30 days from that date. Logiflex remains the owner of the merchandise until the invoice is paid in full.

Customized Products (Special Items)

Price requests for customized products or special items can be submitted via the ["Private Space"](#) section of our website, at www.logiflex.ca. Our quotations department will study your request and send you a quotation and a technical drawing for approval as soon as possible. Modifications to quotations or technical drawings can be requested the same way. The approved quotation(s) and technical drawing(s) can then be attached to your purchase order.

Orders

An official purchase order must be issued for all purchases. Your purchase order must contain the following information:

- Your company letterhead
- Your reference number
- The delivery address (with contact name, email and phone number)
- The complete product codes
- Furniture colour(s)
- Quantities
- Descriptions
- Retail prices and net prices
- Project registration number (if applicable), and your approved quotation and technical drawing (for special items).

Please note that a quotation cannot serve as a purchase order.

Returns

All returns must first be approved by Logiflex. If the return is accepted, a Logiflex customer service representative will send you an official return authorization form in order to facilitate procedures between you, the carrier, and the Logiflex merchandise reception clerk. Additional costs for shipping or other expenses may be applied following any merchandise returns.

Modifications and/or Cancellations

You have 48 hours from the time we acknowledge receipt of your order to make any requests for corrections or modifications. You may cancel your order during this same 48-hour period. If you would like to modify or cancel your order after this 48-hour verification period, please check with a Logiflex customer service representative. Orders cannot be changed or cancelled if production has already begun or if Logiflex has already received the raw materials.

Liability

Logiflex's liability ends once the carrier has delivered all items in good condition. A delivery receipt signed by the customer acknowledges that the shipment is complete and has been received in good condition.

Claims

Logiflex recommends inspecting the shipment before signing the carrier's delivery receipt. You must notify Logiflex of any incomplete shipments or damaged furniture within 30 days after delivery. Requests to replace damaged products can be made via the ["Private Space"](#) section of our website, at www.logiflex.ca. Our after-sales service department will examine your request and help you correct the situation.

Changes

Logiflex reserves the right to make changes to the materials, accessories, components, specifications and designs, and to discontinue collections and/or models, at any time and without prior notice.

Storage and/or Shipping Fees

According to the terms Logiflex set forth in the transport policy. The transport policy can be consulted online in the Private Space.

Items Delivered Disassembled

Some items are delivered disassembled, such as empty desks, empty returns, bridges, arched tables, D, P or Q tables, lateral tables, end tables, hook tables, corner tables and extended-corner tables.



Conditions of Sale (continued)

Quickship Program

A wide selection of typicals and components from the Manhattan, Millenium and Tables series are parts of our quickship program.

Conditions

- Products are ready to deliver after 10 working days from the receipt of the order and according to our delivery schedules.
- Maximum quantity of 20 components per order. For larger quantities, please consult the customer service.
- Logiflex reserves the right of final approval of orders.
- No cancellation after the reception of the order.
- All prices are in Canadian currency and may be changed without notice.

Quickship program standard.

- Standard handles used when included: HJAB (Black).
- Edge finish: ML
- Tackboard fabrics: Please refer to the Logiflex color chart
- All Logiflex colors and finishes are available for the Quickship Program products with the exception of high gloss fronts.

Warranty

Logiflex guarantees to the original purchaser that Logiflex products are free from defects in design, materials and workmanship for the product's lifetime, with certain exceptions.

You may consult the full warranty on the website:

[Logiflex Warranty](#)

Introduction

Manufacturing Standards

Product Dimensions

For display purposes, the furniture dimensions represented in the price tables on each product page are rounded to the nearest whole number.

Furniture Construction

- **Millenium** : Desktops are 1" thick laminate.
- Legs are 1" thick laminate;
- Fronts, backs and modesties are 5/8" thick laminate.
- Conference tables are delivered disassembled.

Handles

Millenium: Handles are included for the majority of Millenium furniture items with fronts, with the exception of hutches and D, E and F pedestals, for which handles are sold as options.

The standard handle style, when included, is HJAB (black).

Grommets

Grommets are included for some items such as D,P and REG tables, lateral, end, corner, extended-corner and arc tables, and returns. When grommets are included, the standard style is the ELPF grommet.

Locks

LKBL (black) locks are included for some items, such as pedestals, lateral file drawers, cabinets, wardrobes, combination units and credenzas. To specify a different type of lock, please refer to the [Accessories](#) section at the end of this price list to see the different models offered by Logiflex.

Pedestals

All drawers are made of black Medium density fiberboard (MDF) with an average thickness of 7/16". Type D, E and F pedestals include a black polyvinyl chloride (PVC) extrusion for easy finger grip operation (no handle).

Drawer Fronts

A PVC strip 1.5 mm thick is systematically applied along all drawer front edges.

Wood Grain

The wood grain is always vertical on fronts and furniture doors. Surfaces more than 96" are in two parts. Logiflex cannot guarantee that the wood grain will match up on the different parts of a same surface.

Hutches

All hutches have a round grommet at the back of the unit for light fixture wires.

Finishes

You must specify the desired finish(es) for each item of furniture ordered. Please make your selection(s) from the Logiflex chart.

Fabric

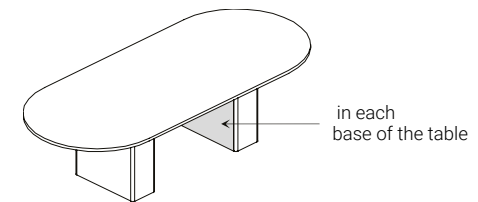
You must specify the fabric when the item so requires. Please make your selection(s) from the Logiflex chart.

Levelers

All furniture items (except bridges) sit on 1" in diameter, white nylon levelers, allowing for up to 1-1/4" height adjustment. The standard finished height for work surfaces is 29".

Access Doors (AD) for Conference Table Bases

An access door can be added to each conference table base, where permitted by the type of base. If applicable, the option (AD) will be offered on the specifications sheet of the conference table in question. This information can be found in the "How to order" section of the conference table specifications pages in this price list.



Introduction

How to Use the Price List

Interactive Menu

- Product line: Desks
- Product group: Quickship Furniture
- Product name: Shells (Empty Desks)
- Product code: BV

Product image

Product image showing dimensions A and B.

Navigation buttons

- Previous View
- Previous Page
- Next Page
- Product Map
- Table of Contents

Note: A Quickship order cannot contain more than 20 products.

Manufacturing Standards

- Delivered disassembled;
- Modesty;
- Height: 29".

Recessed Modesty:
 4-5/8" modesty recess for 30" desks
 6" modesty recess for 36" desks
 If choice of modesty is not specified, the standard (FM) will be used, PM and SM modesties are available at no extra charge.

Options

Modesty

- 10" high: PM \$0
- 18-1/2" high: SM \$0
- Full height: FM \$0

Grommet Position

L C R
* * *
LR

Grommet Style

- ELPF \$0
- C_PPF \$S

Prices

Dimensions	A	B	ML
3048	***	***	***
3060	***	***	***
3066	***	***	***
3072	***	***	***
3660	***	***	***
3666	***	***	***
3672	***	***	***

How to Order

Ordering instructions: Always add the code QS

Blue text hyperlink: series (Appx. B)

quickship	series (Appx. B)	dimensions	modesty	grommet position	grommet style
Example	QS	ML	3060	FM	GRC

Standard Product Code
 Details as per the price listed

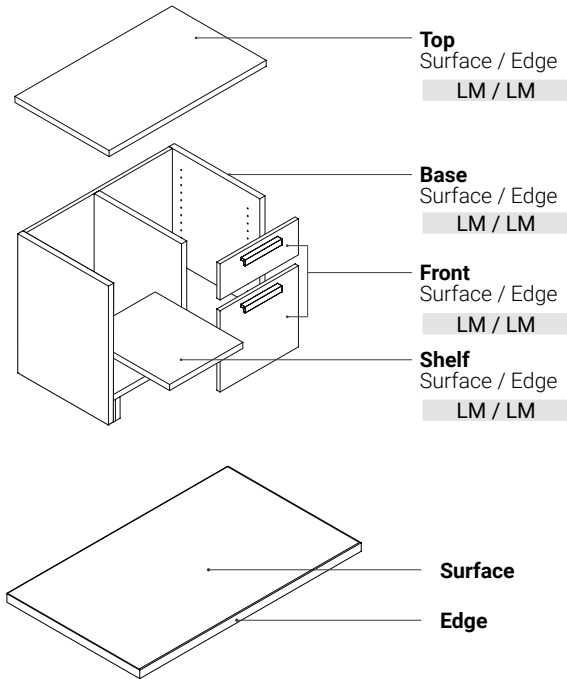
Options, if desired (\$)
 Always after the product code

Navigation Buttons (when blue)

Introduction

Appendix A: Colors and Finishes

How to specify your laminate colors



Availability Chart

FINI FINISH	CODE	COLOR COULEUR	THICKNESS ÉPAISSEUR			HPL STRATIFIÉ	PANVAL CODE
			5/8"	1"	1-5/8"		
OMNIA	DOO	Dosha	•	•		•	K77
	COO	Cosmos	•	•		•	K78
AURA	GIA	Ginger Root Gingembre	•	•		•	H72
	HAA	Haze Brume	•	•	•	•	H57
	OHA	Ohm	•	•	•	•	K69
	STA	Storm Tempête	•	•	•	•	H58
	TUA	Tundra	•	•		•	H75
LYRA	ASY	Asha	•	•		•	K47
	CIY	Chiffon Mousseline **	•	•	•	•	K60
	KAY	Kali	•	•		•	K46
SUPERMAT	IGS	Ingot grey Gris lingot	•	•			828
	WGS	Willow grey Gris saule	•	•			802
DOLOMITE	AU	Audacity Audace **	•	•	•	•	241
	B	Jet Black Noir intense *	•	•		•	888 S405-CA
	BC	Brown cherry Cerisier brun	•	•	•	•	207
	C	Slate Ardoise *	•	•		•	801
	DR	Driftwood Bois de rive	•	•		•	744
	G	Mink Grey Gris vison	•	•		•	805 OU-927
	NM	Natural Maple Érable naturel	•	•	•	•	206
	PO	Porto	•	•		•	913 OU-648
	SW	Smoked Walnut Noyer fumé	•	•	•	•	G21
	TO	Tobacco	•	•		•	205
	W	Polar White Blanc polaire	•	•	•	•	555 459-CA
WK	Whisky	•	•	•	•	245	
HIGH GLOSS SUPER LUSTRE	W-H	Polar White - fronts Blanc polaire - façades	•				

* Non recommended color for work surfaces.

** For conference tables with 2 or more parts, we do not recommend the use of colors with irregular and contrasted woodgrain like Chiffon, Audacity or Coastal Pear as it results in a pronounced wood grain mismatch.

Colors may vary from 2% to 5% between tfl and hpl laminates due to different technical applications.

See our complete [Colors & Finishes Guide](#)

New



Important

For your order to be eligible for the Quickship deadline, the colors must absolutely be applied according to the combinations specified below:

- Top
- Base
- Front
- Shelves



Appendix B: Surfaces and Molding Edges

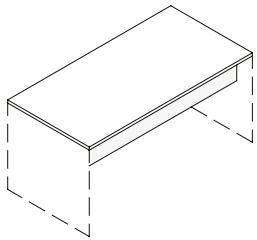
SERIES	PREVIEW	COMPONENT	MATERIAL	EDGES / MOLDING
ML		1" surface	Thermofused laminate (TFL) - 1" high-density particle board.	1.5 mm polyvinyl chloride (PVC)
		Front, back and modesty	Thermofused laminate (TFL) - 5/8" high-density particle board.	1.5 mm polyvinyl chloride (PVC) on showing surfaces and 0.5 mm polyvinyl chloride (PVC) on non-showing surfaces.

Introduction

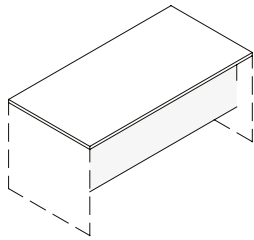


Appendix C: Modesty Panels

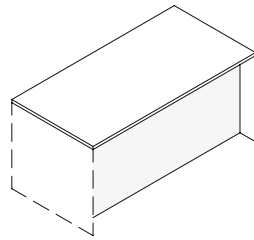
Modesty Height



10" high
PM



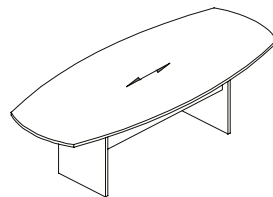
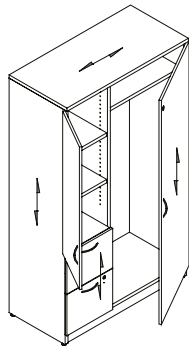
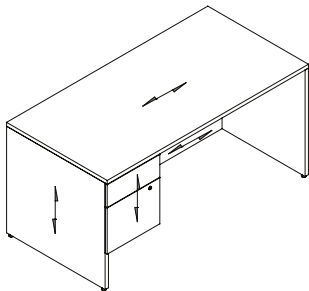
18-1/2" high
SM



Full height
FM

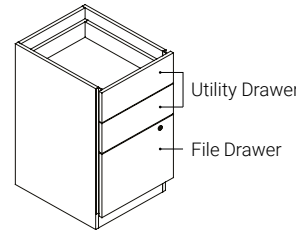
Appendix D: Wood Grain

Wood grain runs lengthwise on surfaces and vertically on drawers, doors and legs. See image below for wood grain direction placements.

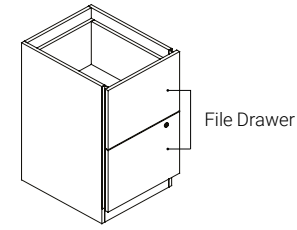


Appendix E: Pedestals and File Drawers

D, E and F Pedestals

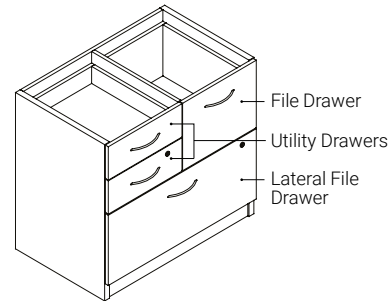


E

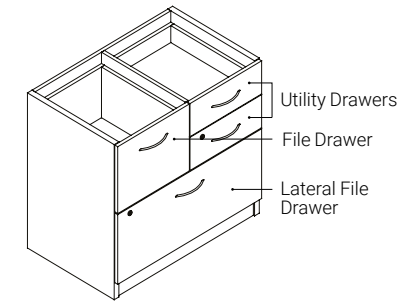


F

Combination Pedestals



BCCL



CBCL

Appendix F: Pricing for Additional Adjustable Shelves

To find out the price for additional adjustable shelves, trace down the vertical column "A" the shelf depth to its intersection with columns "B" the shelf length.

	\$	B								
		12"	15"	18"	20"	24"	30"	36"	42"	48"
A	12"	19	26	34	36	42	50	61	72	82
	15"	26	35	40	43	50	64	78	89	103
	16"	27	36	42	45	54	70	82	96	111
	20"	36	43	50	57	70	85	103	120	135
	24"	42	50	61	70	82	103	124	142	164
	30"	50	64	78	85	103	128			

Introduction

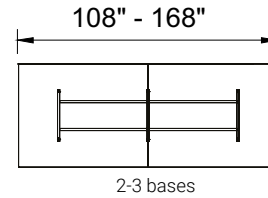
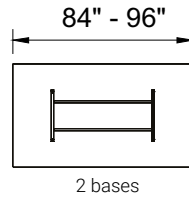
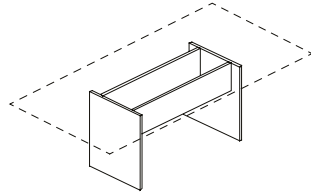


Appendix G: Bases

H Bases



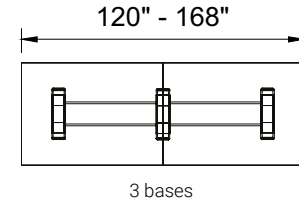
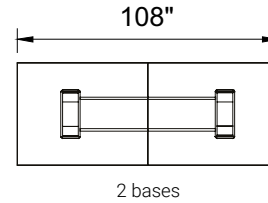
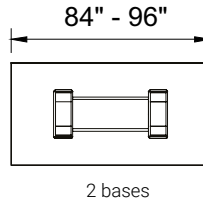
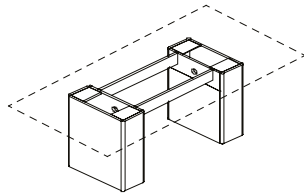
- Laminate base;
- Tables delivered disassembled.



Rectangular Bases

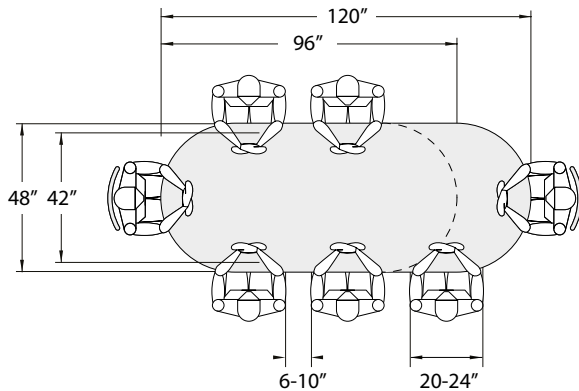


- Laminate base;
- Tables delivered disassembled.



Appendix H: Seating Capacity

In general, to establish conference table seating capacity it is important to include a workzone to accommodate documents and papers. The spacing of chairs is not only important in terms of defining comfortable work zones but essential in providing optimal line of sight where the room incorporates a multi media unit.



Introduction



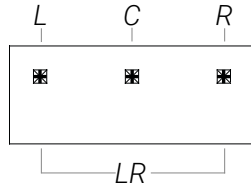
Appendix I: Grommet and Communication Box for Height Adjustable Tables

Grommet

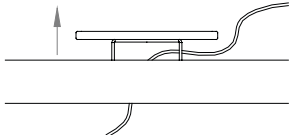


C_PF

Square metal grommet in satin nickel, chrome and black finish

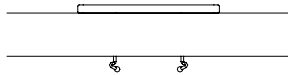


Position : L, C, R, LR



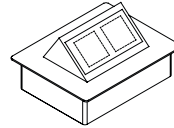
Open position

Allows wire management

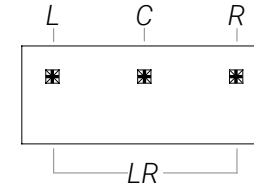


Closed position

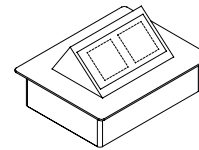
Connection Unit



MH3

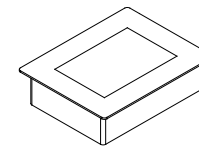


Position : L, C, R, LR



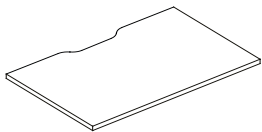
Open position

Push to open



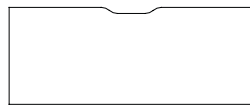
Closed position

Cutout for wires



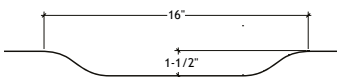
WAVC

Wire management cut-out

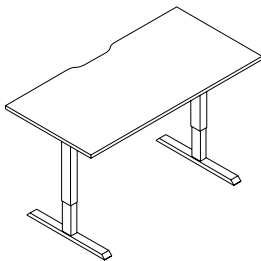


C

Position: C



Dimensions



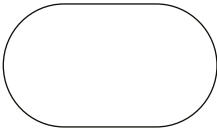
Introduction



Appendix J: Conference Table Surfaces

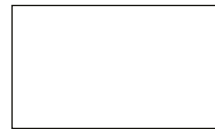
The following charts indicate the number of sections and wood grain direction for conference tables.

RACETRACK



	1" Tops	
	Number of Sections	Wood Grain Direction
42 84	1	←→
42 96	1	←→
42 108	2	↑↓
48 84	1	←→
48 96	1	←→
48 120	2	↑↓
48 144	3	↑↓
60 144	3	↑↓
60 168	4	↑↓

RECTANGULAR

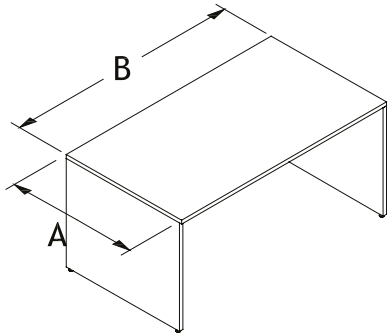


	1" Tops	
	Number of Sections	Wood Grain Direction
42 84	1	←→
42 96	1	←→
42 108	2	↑↓
48 84	1	←→
48 96	1	←→
48 120	2	↑↓
48 144	3	↑↓
48 168	3	↑↓
54 84	2	↑↓
54 96	2	↑↓
54 120	3	↑↓
54 144	3	↑↓
54 168	4	↑↓
60 84	2	↑↓
60 96	2	↑↓
60 120	3	↑↓
60 144	3	↑↓
60 168	4	↑↓
60 192	4	↑↓
60 228	5	↑↓

Quickship Furniture

Shells (Empty Desks)

BV



Note: A Quickship order cannot contain more than 20 products.

Manufacturing Standards

- Delivered disassembled;
- Modesty;
- Height: 29".

Recessed Modesty:
 4-5/8" modesty recess for 30" desks
 6" modesty recess for 36" desks

If choice of modesty is not specified, the standard (FM) will be used, PM and SM modesties are available at no extra charge.

Options

Modesty

10" high
PM
\$0

18-1/2" high
SM
\$0

Full height
FM
\$0

Grommet Position

Grommet Style

\$0 \$26 ea.

Prices

Dimensions	
A	B ML
3048	658
3060	717
3066	763
3072	801
3660	801
3666	819
3672	859

How to Order

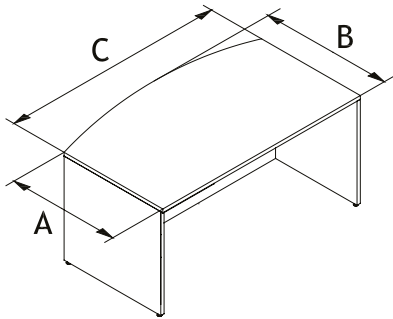
QS Always add the code

ML	AB	PM SM FM (std)	GRL GRR GLR GRC	CAPF CBPF CCPF ELPF (std)	
QS					
quickship	series	dimensions	modesty	grommet position	grommet style
Example QS	ML	3060	FM	GRC	ELPF

Quickship Furniture

Desks with Convex Front

BCX



Note: A Quickship order cannot contain more than 20 products.

Manufacturing Standards

- Delivered disassembled;
- Modesty;
- Height: 29".

Recessed Modesty:
 Flush modesty for 24" desks
 4-5/8" modesty recess for 30" desks
 6" modesty recess for 36" desks

If choice of modesty is not specified, the standard (FM) will be used, PM and SM modesties are available at no extra charge.

Options

Modesty Styles

10" high
PM
\$0

18-1/2" high
SM
\$0

Full height
FM
\$0

Grommet Position

Grommet Style

\$0 \$26 ea.

Prices

Dimensions	
A B	ML
243060	856
243066	899
243072	951
303660	942
303666	995
303672	1048
303684	1163
364260	1030
364266	1089
364272	1152
364284	1274

How to Order

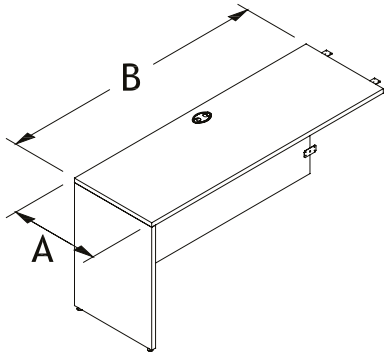
QS Always add the code

quickship	series	dimensions	code	modesty	grommet position	grommet style	
QS	ML	ABC	CX	PM SM FM (std)	GRL GRR GLR GRC	CAPF CBPF CCPF ELPF (std)	
Example	QS	ML	243060	CX	FM	GRC	ELPF

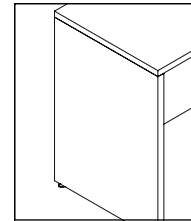
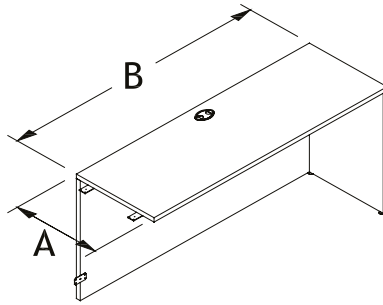
Quickship Furniture

Empty Returns

RVL



RVR



Modesty edge is not visible on the side of the return

Note: A Quickship order cannot contain more than 20 products.

Manufacturing Standards

- Delivered disassembled;
- Centered ELPF grommet;
- Flush plates;
- Flush modesty;
- Height: 29".

Not compatible with lateral tables due to differences in the direction of the wood grain as well as the thickness of the modesty panel.

Modesty: If choice of modesty is not specified, the standard (FM) will be used, PM and SM modesties are available at no extra charge.

Grommet: If the grommet position is not specified, the standard is centered (GRC).

Options

Modesty

10" high
PM
\$0

18-1/2" high
SM
\$0

Full height
FM
\$0

Grommet Position

Grommet Style

\$0

\$26 ea.

Prices

Dimensions	
A B	ML
2030	397
2036	415
2042	435
2048	454
2054	471
2060	489
2430	443
2436	464
2442	483
2448	503
2454	521
2460	538

How to Order

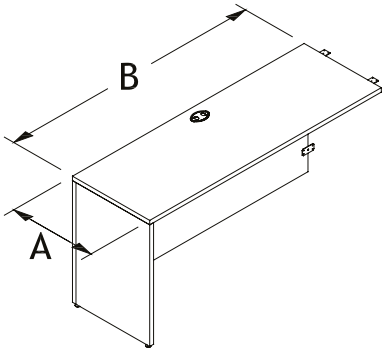
Always add the code QS

QS	ML	AB	L R	29	PM SM FM (std)	NGR GRR GLR GRC (std)	CAPF CBPF CCPF ELPF (std)
quickship	series	dimensions	code	height	modesty	grommet position	grommet style
Example QS	ML	2060	L	29	FM	GRC	ELPF

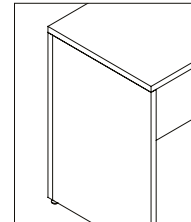
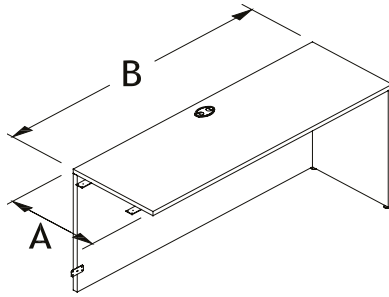
Quickship Furniture

Reversible Empty Returns

REVL



REVR



Modesty edge is visible on the side of the return

Note: A Quickship order cannot contain more than 20 products.

Manufacturing Standards

- Delivered disassembled;
- Centered ELPF grommet;
- Flush plates;
- Flush modesty;
- Height: 29".

Not compatible with lateral tables due to differences in the direction of the wood grain as well as the thickness of the modesty panel.

Modesty: If choice of modesty is not specified, the standard (FM) will be used, PM and SM modesties are available at no extra charge.

Grommet: If the grommet position is not specified, the standard is centered (GRC).

Options

Modesty

10" high
PM
\$0

18-1/2" high
SM
\$0

Full height
FM
\$0

Grommet Position

Grommet Style

\$0

\$26 ea.

Prices

Dimensions	
A	B
2030	397
2036	415
2042	435
2048	454
2054	471
2060	489
2430	443
2436	464
2442	483
2448	503
2454	521
2460	538

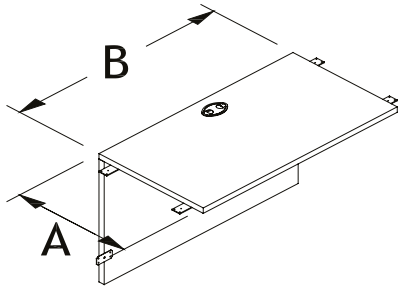
How to Order

Always add the code QS

QS	ML	AB	L R	29	REV	PM SM FM (std)	NGR GRL GRR GLR GRC (std)	CAPF CBPF CCPF ELPF (std)
quickship	series	dimensions	code	height	code	modesty	grommet position	grommet style
Example QS	ML	2060	L	29	REV	FM	GRC	ELPF

Bridges with Modesty

BR



Note: A Quickship order cannot contain more than 20 products.

Manufacturing Standards

- Delivered disassembled;
- ELPF grommet;
- Flush plates;
- Flush modesty.

Not compatible with lateral tables due to differences in the direction of the wood grain as well as the thickness of the modesty panel.

Modesty: If choice of modesty is not specified, the standard (FM) will be used, PM and SM modesties are available at no extra charge.

Grommet: If the grommet position is not specified, the standard is centered (GRC).

Options

Modesty

10" high
PM
\$0

18-1/2" high
SM
\$0

Full height
FM
\$0

Grommet Position

Grommet Style

\$0 \$26 ea.

Prices

Dimensions	
A	B
2036	331
2042	338
2048	377
2436	338
2442	350
2448	386

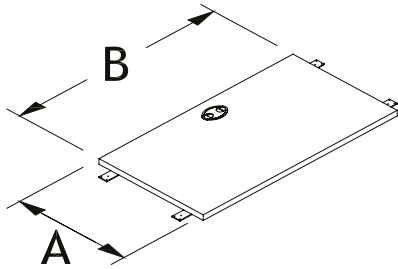
How to Order

Always add the code QS

quickship	series	dimensions	code	modesty	grommet position	grommet style
QS	ML	AB	BR	PM SM FM (std)	NGR GRL GRR GLR GRC (std)	CAPF CBPF CCPF ELPF (std)
Example	QS	ML	2036	BR	FM	GRC

Bridge Top

BRT



Note: A Quickship order cannot contain more than 20 products.

Manufacturing Standards

- ELPF grommet;
- Flush plates.

Grommet: If the grommet position is not specified, the standard is centered (GRC).

Options

Grommet Position

Grommet Style

\$0

\$26 ea.

Prices

Dimensions	
A B	ML
2036	113
2042	131

How to Order

QS

Always add the code

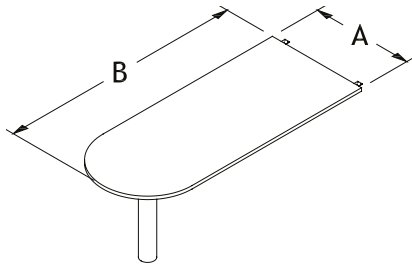
	ML	AB		NGR GRL GRR GLR GRC (std)	CAPF CBPF CCPF ELPF (std)
QS			BRT		
quickship	series	dimensions	code	grommet position	grommet style

Example

QS	ML	2036	BRT	GRC	ELPF
----	----	------	------------	-----	------

D Tables without End Gable

TD



Note: A Quickship order cannot contain more than 20 products.

Manufacturing Standards

- Delivered disassembled;
- One 4.5" round black metal leg (4.5BL);
- Flush plates;
- Height: 29".

Table to be attached to the top of another freestanding item.

Prices

Dimensions	
A B	ML
3054	618
3060	647
3066	675
3072	701
3660	663
3666	710
3672	758
3684	855

How to Order

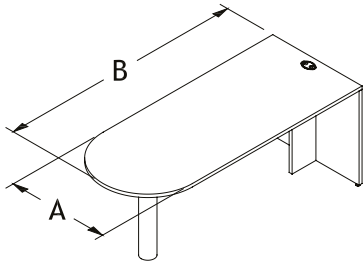
QS Always add the code

QS	ML	AB	TD	4.5BL
quickship	series	dimensions	code	leg
Example QS	ML	3060	TD	4.5BL

Quickship Furniture

D Tables with End Gable

TDG



Note: A Quickship order cannot contain more than 20 products.

Manufacturing Standards

- Delivered disassembled;
- One 4.5" round black metal leg (4.5BL);
- End gable;
- ELPF grommet;
- Height: 29".

Not compatible with lateral tables, due to difference in the direction of wood grain and the thickness of the end gable.

Important: For stability purposes, a second leg is required if this table is used as a stand alone unit.

Options

Grommet Style



\$0 \$26 ea.

Prices

Dimensions	
A B	ML
3060	796
3066	825
3072	855
3084	930
3660	825
3666	872
3672	921
3684	1013

How to Order

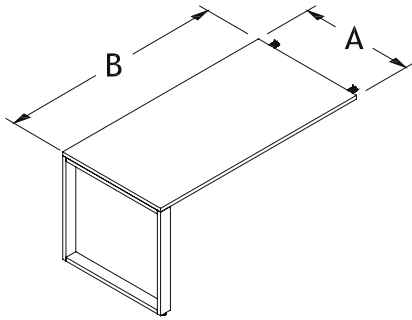
Always add the code QS

QS	ML	AB	TDG	4.5BL	NGR GRC (std)	CAPF CBPF CCPF ELPF (std)
quickship	series	dimensions	code	leg	grommet position	grommet style
Example QS	ML	3066	TDG	4.5BL	GRC	ELPF



Rectangular Tables without End Gable

REIO



Note: A Quickship order cannot contain more than 20 products.

Manufacturing Standards

- Delivered disassembled;
- Square leg in Satin Nickel;
- Support bar;
- Flush plates;
- Height: 29".

Table to be attached to the top of another freestanding item.

Prices

Dimensions	
A B	ML
3054	692
3060	720
3066	747
3072	775
3660	737
3666	785
3672	833
3684	927

How to Order

QS Always add the code

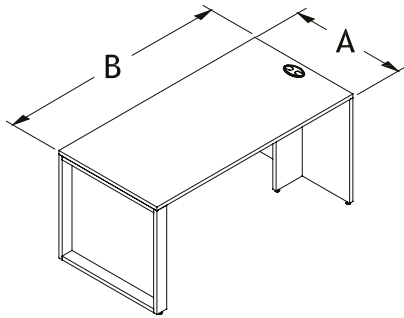
ML	AB	REIO	BL SN (std)
quickship	series	dimensions	code
finish			

Example QS ML 3060 REIO SN

Quickship Furniture

Rectangular Tables with End Gable

REGO



Note: A Quickship order cannot contain more than 20 products.

Manufacturing Standards

- Delivered disassembled;
- Square leg in Satin Nickel;
- End gable;
- Support bar;
- ELPF grommet;
- Flush plates;
- Height: 29".

Freestanding tables.
Not compatible with lateral tables, due to difference in the direction of wood grain and the thickness of the end gable.

Options

Grommet Style

\$0

\$26 ea.

Prices

Dimensions	
A B	ML
3060	872
3066	900
3072	927
3084	1005
3660	900
3666	946
3672	994
3684	1087

How to Order

QS

Always add the code

	ML	AB		BL SN (std)	NGR GRC (std)	+
			REGO			CAPF CBPF CCPF ELPF (std)
			REGO			
			REGO			

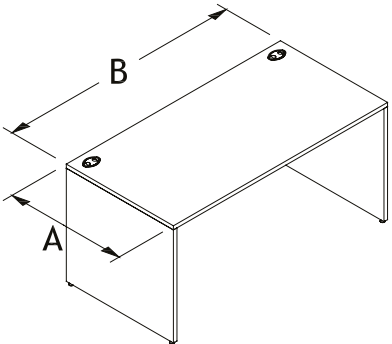
quickship	series	dimensions	code	finish	grommet position	grommet style
Example QS	ML	3060	REGO	SN	GRC	ELPF

Quickship Furniture

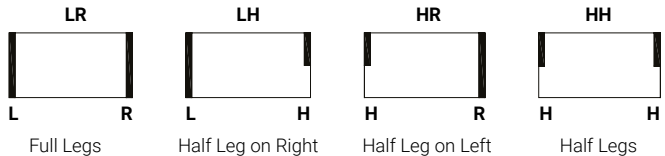


Lateral Tables, 20" and 24"

TL



Leg Bases



Note: A Quickship order cannot contain more than 20 products.

Manufacturing Standards

- Delivered disassembled;
- Centered grommet for table widths less than 48";
- Left and right grommets for table widths 48" or more;
- Flush modesty;
- Height: 29".

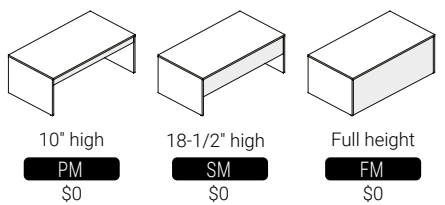
Compatible only with other lateral tables or extended corner tables because of the direction of the wood grain as well as the thickness of the leg base.

Leg Base: For support purposes, 84" tables include an additional half leg in the centre.

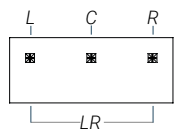
Modesty: If choice of modesty is not specified, the standard (FM) will be used, PM and SM modesties are available at no extra charge.

Options

Modesty Styles



Grommet Position



Grommet Style



Prices

Dimensions	
A	B
2024	443
2030	471
2036	503
2042	527
2048	557
2054	585
2060	614
2066	645
2072	673
2078	701
2084	733
2430	527
2436	557
2442	585
2448	614
2454	645
2460	673
2466	698
2472	726
2478	754
2484	780

How to Order

QS Always add the code

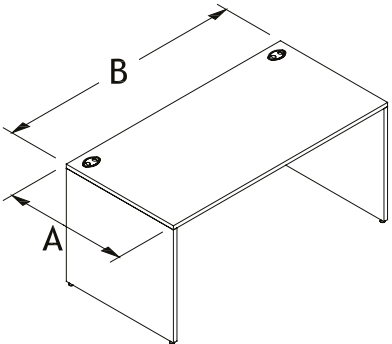
ML	AB	TL	LR LH HR HH	PM SM FM (std)	NGR GRL GRR GLR GRC	CAPF CBPF CCPF ELPF (std)	
quickship	series	dimensions	code	leg base	modesty	grommet position	grommet style
QS	ML	2072	TL	LR	FM	GRC	ELPF

Quickship Furniture

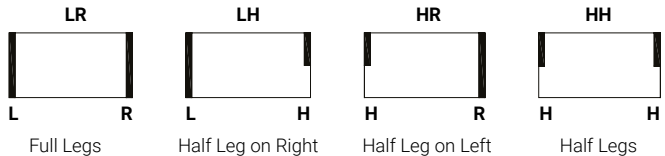


Lateral Tables, 30" and 36"

TL



Leg Bases



Note: A Quickship order cannot contain more than 20 products.

Manufacturing Standards

- Delivered disassembled;
- Centered grommet for table widths less than 48";
- Left and right grommets for table widths 48" or more;
- Flush modesty;
- Height: 29".

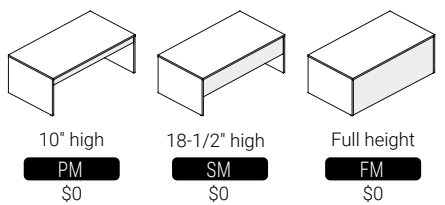
Compatible only with other lateral tables or extended corner tables because of the direction of the wood grain as well as the thickness of the leg base.

Leg Base: For support purposes, 84" tables include an additional half leg in the centre.

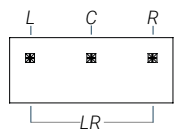
Modesty: If choice of modesty is not specified, the standard (FM) will be used, PM and SM modesties are available at no extra charge.

Options

Modesty Styles



Grommet Position



Grommet Style



Prices

Dimensions	
A	B
3024	527
3030	576
3036	604
3042	629
3048	658
3054	689
3060	717
3066	763
3072	801
3078	832
3084	865
3630	719
3636	733
3642	747
3648	763
3654	783
3660	801
3666	819
3672	859
3678	874
3684	894

How to Order

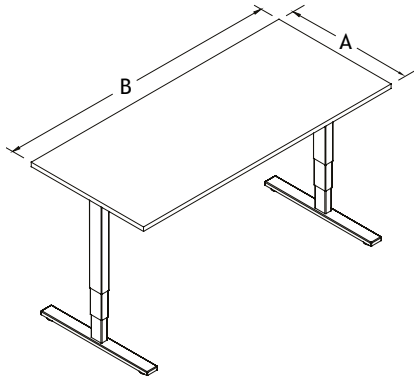
QS Always add the code

ML	AB	TL	LR LH HR HH	PM SM FM (std)	NGR GRL GRR GLR GRC	CAPF CBPF CCPF ELPF (std)	
quickship	series	dimensions	code	leg base	modesty	grommet position	grommet style
QS	ML	3072	TL	LR	FM	GRC	ELPF

Quickship Furniture

Rectangular Tables

T



Note: A Quickship order cannot contain more than 20 products.

Manufacturing Standards

Elevation Plus table with electric height adjustment:

- 1" laminate rectangulaire top;
- Two telescopic "T" legs (3 sections), on levelers. Metal finishes: Black or satin nickel ;
- Adjustment range: 24-1/2" to 50" H;
- 2-motor system with collision detector;
- Maximum weight load: 320 lbs;
- Programmable controller with up / down adjustment control, 3 memory settings and digital height display. The controller can be installed on the left or on the right;
- Support bar;
- Assembly required.

Maximum height of under the desk storage: 19-1/2".

Grommets are recess back 5-1/2".

Note: The dimensions of the surfaces are reduced by 1" in order to leave a clearance of 1" on the sides and in front.

Screen or modesty: To add a divider screen or modesty panel, see p. 19

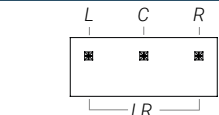
Technical Information: For full specifications see p. 10

Options



Cutout for wires

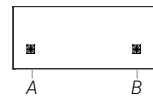
\$26 ea.



Grommet/Connectivity



\$26 ea. \$397 \$397 \$397



Wireless Charger



\$617

Prices

Dimensions

A	B
23 46	1717
23 52	1736
23 58	1756
23 64	1776
23 70	1794

29 46	1734
29 52	1754
29 58	1772
29 64	1792
29 70	1812

The dimensions are reduced in order to leave a clearance of 1" on all sides of the table to prevent finger pinching.

Standards dimensions: It is possible to order tables according to the standard dimensions (ex.: 30" x 60") at the same price as the reduced dimensions (ex.: 29" x 58").

How to Order

QS

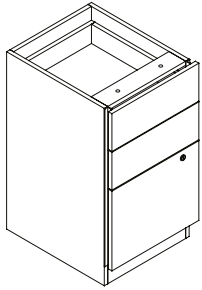
Always add the code

QS	EP	AB	T	BL SN (std)	WAVC NWAV (std)	GRL GRC GRR GLR NGR (std)	MH3A MH3B MH3C MH3D	L C R LR	QIBLA QIBLB
quickship	series	dimensions	product	leg finish	cutout (Appx. I)	grommet position	connectivity+position (Appx. B)		Qi
Example QS	EP	29 58	T	SN	NWAV	GRC	MH3BR		QIBLA

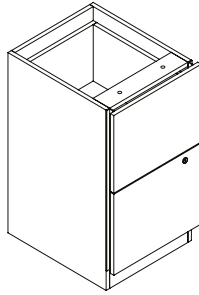
Quickship Furniture

Independent E and F Pedestals

EIND



FIND



Note: A Quickship order cannot contain more than 20 products.

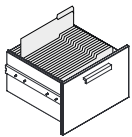
Manufacturing Standards

- Pedestals without tops;
- Depth of 17-3/4";
- E = 2 utility drawers and 1 file drawer;
- F = 2 file drawers;
- PVC extrusion for lateral opening of drawers, handles as option;
- Lock.

Handles: Handles are an option, please choose from the Logiflex list. Add \$14 retail each.

Options

Legal Size



X

Prices

Dimensions

A	ML
EIND	819
EINDX	896

FIND	819
FINDX	896

How to Order

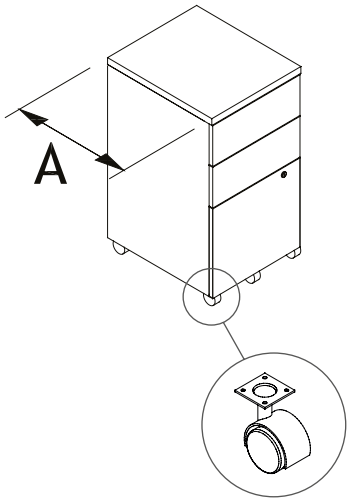
Always add the code **QS**

quickship	series	code	legal size	handles (p. 62)
ML	EIND FIND	X		

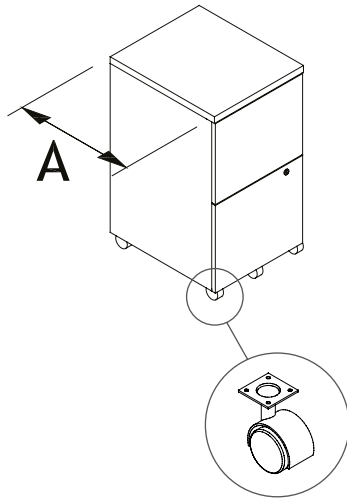
Example QS ML EIND X

Mobile E and F Pedestals - Letter Size

MOBE



MOBF



Note: A Quickship order cannot contain more than 20 products.

Manufacturing Standards

- Delivered with the casters disassembled;
- E = 2 utility drawers and 1 letter size file drawer;
- F = 2 letter size file drawers;
- PVC extrusion for lateral opening of drawers, handles as option; Lock;
- 5 casters;
- Height: 27-3/8".

Counterweight: A 45 lb counterweight is included for pedestals that are 18" deep. If you would like to add a 45 lb counterweight to a pedestal with a different depth, please indicate option (CPDS). Add \$175.

Handles: Handles are an option, please choose from the Logiflex list. Add \$14 retail each.

Prices

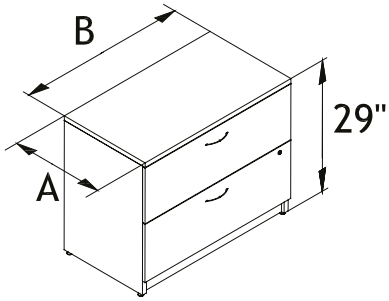
Depth	ML
18	827
23	843
29	919

How to Order

<p>Always add the code</p>	ML		E F	A	CPDS	HJAB (std)	+
	quickship	series	code	pedestal	depth	counter weight	
Example	QS	ML	MOB	E	23	CPDS	HJAB

Lateral Filing Cabinets

CL2



Note: A Quickship order cannot contain more than 20 products.

Manufacturing Standards

- 2 lateral filing drawers;
- HJAB handles;
- Black interlock locks;
- 2 crossbars per file drawer;
- Counterweight (CL2 only).

Handles: For handles other than HJAB standard, please choose from the Logiflex list at no extra charge.

Prices

Dimensions	
A B	ML
2030	1019
2036	1099
2042	1183
2430	1092
2436	1171
2442	1253

How to Order

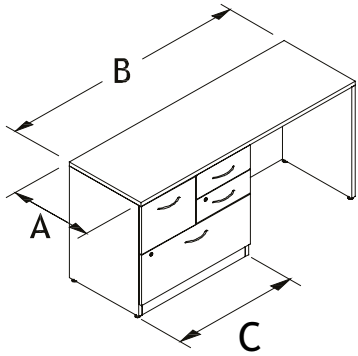
Always add the code	ML	AB	HJAB (std)
QS			
quickship	series	dimensions	handles
CL		2	
code		drawers	
Example	QS	ML	CL 2036 2 HJAB

Quickship Furniture



Credenzas with Combination Pedestal on Left

CCBCL



Note: A Quickship order cannot contain more than 20 products.

Manufacturing Standards

- 2 utility drawers, one file drawer and one lateral file drawer;
- HJAB handles;
- Locks;
- Flush modesty;
- Height: 29".

Modesty: If choice of modesty is not specified, the standard (FM) will be used, PM and SM modesties are available at no extra charge.

Grommets: Add ELPF grommets at no charge.

Handles: For handles other than HJAB standard, please choose from the Logiflex list at no extra charge.

Options

Modesty

10" high
PM
\$0

18-1/2" high
SM
\$0

Full height
FM
\$0

Grommet Position

Grommet Style

\$0

\$26 ea.

Prices

Dimensions	
A B C	ML
206030	1461
206630	1502
207230	1537
208430	1595
246030	1519
246630	1558
247230	1595
248430	1613
206036	1502
206636	1537
207236	1575
208436	1636
246036	1558
246636	1595
247236	1636
248436	1651

How to Order

QS

Always add the code

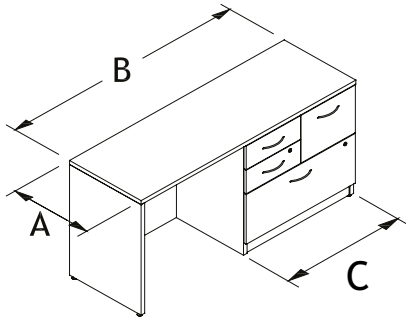
ML	C	AB	PM SM FM (std)	GRL GRR GLR GRC	CAPF CBPF CCPF ELPF (std)	HJAB (std)		
ML	C	AB	PM SM FM (std)	GRL GRR GLR GRC	CAPF CBPF CCPF ELPF (std)	HJAB (std)		
quickship	series	pedestal	pedestal width	dimensions	modesty	grommet position	grommet style	handles
Example QS	ML	CCBCL	30	2060	FM	GRC	ELPF	HJAB

Quickship Furniture



Credenzas with Combination Pedestal on Right

CBCCL



Note: A Quickship order cannot contain more than 20 products.

Manufacturing Standards

- 2 utility drawers, one file drawer and one lateral file drawer;
- HJAB handles;
- Locks;
- Flush modesty;
- Height: 29".

Modesty: If choice of modesty is not specified, the standard (FM) will be used, PM and SM modesties are available at no extra charge.

Grommets: Add ELPF grommets at no charge.

Handles: For handles other than HJAB standard, please choose from the Logiflex list at no extra charge.

Options

Modesty

10" high
PM
\$0

18-1/2" high
SM
\$0

Full height
FM
\$0

Grommet Position

Grommet Style

\$0 \$26 ea.

Prices

Dimensions	
A B C	ML
206030	1461
206630	1502
207230	1537
208430	1595
246030	1519
246630	1558
247230	1595
248430	1613
206036	1502
206636	1537
207236	1575
208436	1636
246036	1558
246636	1595
247236	1636
248436	1651

How to Order

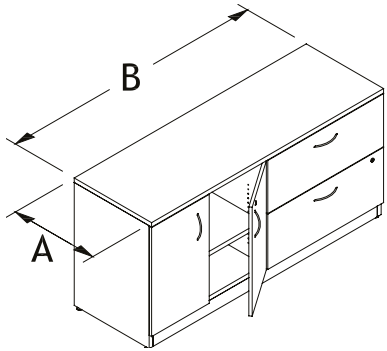
Always add the code QS

QS	ML	AB	C	PM SM FM (std)	GRL GRR GLR GRC	CAPF CBPF CCPF ELPF (std)	HJAB (std)	
quickship	series	dimensions	pedestal	pedestal width	modesty	grommet position	grommet style	handles
Example QS	ML	2060	BCCL	30	FM	GRC	ELPF	HJAB

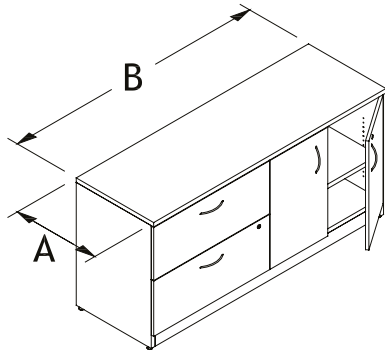


Combination Credenzas with Lateral File Drawers and Cabinet

ARCL



CLAR



Note: A Quickship order cannot contain more than 20 products.

Manufacturing Standards

- 1 lateral file drawer and 1 cabinet on left or right;
- HJAB handles;
- Locks;
- Adjustable shelf;
- 2 crossbars per file drawer;
- Height: 29".

Handles: For handles other than HJAB standard, please choose from the Logiflex list at no extra charge.

Prices

Dimensions	
A B	ML
2060	1726
2066	1755
2072	1812
2084	1869
2460	1767
2466	1793
2472	1851
2484	1905

How to Order

QS Always add the code

ML	AB	ARCL CLAR	HJAB (std)
quickship	series	dimensions	code
quickship	series	dimensions	code
quickship	series	dimensions	code

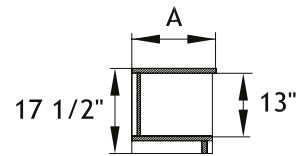
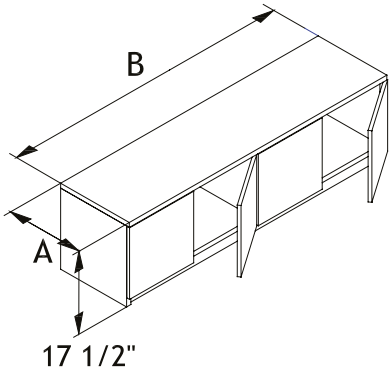
Example QS ML 2060 ARCL HJAB

Quickship Furniture



Wall Hutches with Doors

HPW



Note: A Quickship order cannot contain more than 20 products.

Manufacturing Standards

- Task light concealer;
- Z-bar wall mount.

Number of Doors:
30" - 42": 2 doors, 48" - 54": 3 doors, 60" - 72": 4 doors, 84": 5 doors.

Dividers: Offered as option. Pre-drilled holes for dividers (DVD), set of 3 wire dividers included.

Attention: Logiflex is not responsible for the installation of wall hutches. This responsibility belongs entirely to the distributor or the client.

Options

Pre-drilled Holes with 3 Dividers

DVD
\$27

Task Light

\$\$

Prices

Dimensions	
A	B ML
1630	483
1636	549
1642	614
1648	680
1654	775
1660	851
1666	919
1672	946
1684	1037

How to Order

QS Always add the code

ML	AB	DVD	HPW	task light (p. 62)
quickship	series	dimensions	code	dividers

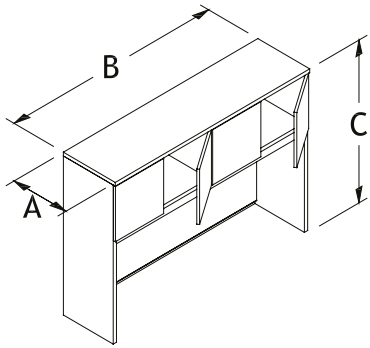
Example | QS | ML | 1636 | HPW | DVD

Quickship Furniture

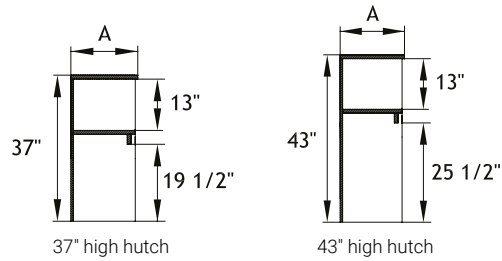
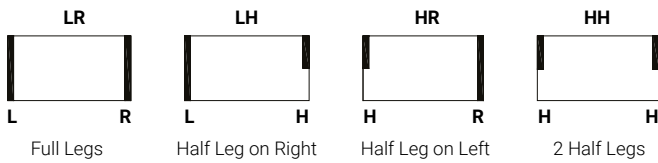


Desk Hutches with Doors

HP



Leg Bases



Note: A Quickship order cannot contain more than 20 products.

Manufacturing Standards

- Horizontal wood grain on back panel;
- Task light concealer;

Number of Doors:

30" - 42": 2 doors, 48" - 54": 3 doors, 60" - 72": 4 doors, 84": 5 doors.

Tackboards: A fabric (TB) tackboard can be added.

Leg Base: If the choice of base is not specified, the standard is 2 full legs (LR). For 1/2 leg on left or right (HR or LH) add \$41 retail. For two half legs (HH), add \$81 retail. **Warning:** hutches with half legs (HH) must be secured to the wall or adjacent furniture so that they do not tip forward. Logiflex is not responsible for any accidents caused by incorrectly installed hutches.

Dividers: Offered as option. Pre-drilled holes for dividers (DVD), set of 3 wire dividers included.

Options

Tackboard	Pre-drilled Holes with 3 Dividers	Task Light
	DVD \$27	SS

How to Order

Always add the code **QS**

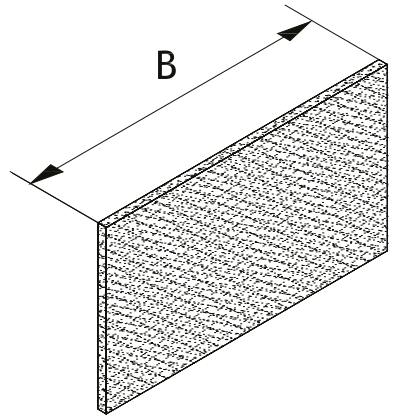
ML	AB	C	TB LI	HH HR LH LR (std)	DVD	T524 T536 T548 DEL20	
quickship	series	dimensions	tackboard (p. 43)	leg base	dividers	task light (p. 62)	
Example QS	ML	1636	HP	43	TB	LR	DVD

Prices

Dimensions		ML
A	B C	
163037		739
163637		801
164237		868
164837		936
165437		1057
166037		1130
166637		1200
167237		1230
168437		1322
163043		801
163643		879
164243		952
164843		1030
165443		1161
166043		1243
166643		1322
167243		1361
168443		1461

Fabric Tackboards for Hutches

TB



Note: A Quickship order cannot contain more than 20 products.

Manufacturing Standards

Standard Fabric: Please choose from the Logiflex color chart.

Chair Fabric: Please submit a quotation request providing the following information: manufacturer's name, pattern name/number and color name/number. Price available upon request.

COM Fabric: (Provided by the customer). COM fabrics must be sent directly to your Customer Service Representative, **Prepaid**. It is important to indicate the reference number of your purchase order on the package containing your fabric.

Tackboards with COM Fabric:
 36" tackboards = 1.5 yards
 48" tackboards = 2 yards
 72" tackboards = 2.5 yards
 84" - 96" tackboards = 3 yards

Tackboards for Existing Hutches:
 If ordering a tackboard for an existing hutch, please specify the code of the existing hutch. Logiflex can then make the tackboard to the exact dimensions for easy installation of the product.

Prices

Dimensions	COM												
	GRA	GR1	GR2	GR3	GR4	GR5	GR6	GR7	GR8	GR9	GR10	GR11	GR12
B 30	280	313	357	401	456	511	566	621	676	731	786	896	1 006
36	280	313	357	401	456	511	566	621	676	731	786	896	1 006
42	280	313	357	401	456	511	566	621	676	731	786	896	1 006
48	280	313	357	401	456	511	566	621	676	731	786	896	1 006
54	280	313	357	401	456	511	566	621	676	731	786	896	1 006
60	379	412	456	500	555	610	665	720	775	830	885	995	1 105
66	379	412	456	500	555	610	665	720	775	830	885	995	1 105
72	420	461	516	571	640	709	777	846	915	984	1 052	1 190	1 327
84	461	511	577	643	726	808	891	973	1056	1138	1 221	1 386	1 551

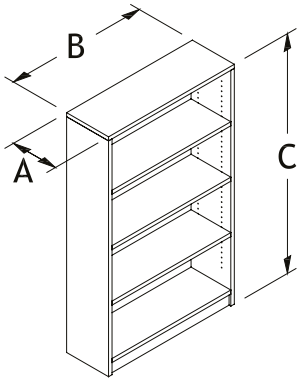
How to Order

QS Always add the code

quickship	series	dimensions	code	fabric	existing hutch height	fabric
ML	B	TB	GR1 GR2 GR3 GR4 GR5 COM	37 43	See Logiflex color chart or COM fabric number	
Example	QS	36	TB	GR1	37	

36" Bookcases with Masonite Back

BB36



Note: A Quickship order cannot contain more than 20 products.

Manufacturing Standards

- 1" thick adjustable shelves;
- Shelf brackets;
- Black masonite back.

Number of adjustable shelves included:
 Less than 29" H: 1 shelf, 36" - 47" H: 2 shelves,
 48" - 65" H: 3 shelves, 66" - 83" H: 4 shelves,
 more than 84" H: 5 shelves.

Adjustable shelves (SH): see Appendix F for prices, p.12

Options

Adjustable Shelves

Prices

Dimensions			
A	B	C	ML
123629			443
123636			471
123642			503
123648			527
123654			549
123660			567
123666			604
123672			739
123684			775

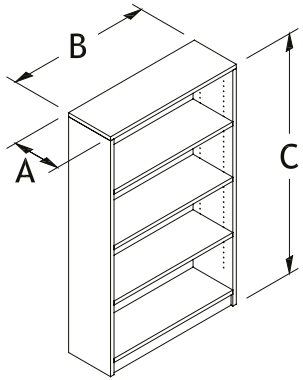
How to Order

QS Always add the code

QS	ML	BB	ABC	SH
quickship	series	code	dimensions	shelves
Example QS	ML	BB	123666	SH

36" Bookcases with Laminate Back

BBL36



Note: A Quickship order cannot contain more than 20 products.

Manufacturing Standards

- 1" thick adjustable shelves;
- 5/8" thick laminate back.
- Shelf brackets;

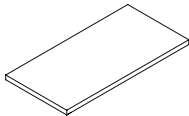
Number of adjustable shelves included:

Less than 29" H: 1 shelf, 36" - 47" H: 2 shelves,
48" - 65" H: 3 shelves, 66" - 83" H: 4 shelves,
more than 84" H: 5 shelves.

Adjustable shelves (SH): see Appendix F for prices, [p.12](#)

Options

Adjustable Shelves



Prices

Dimensions			ML
A	B	C	
123629			464
123636			538
123642			614
123648			658
123654			689
123660			708
123666			755
123672			885
123684			924

How to Order

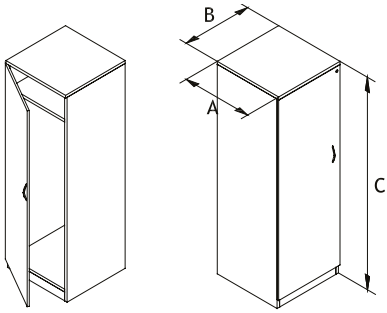
QS Always add the code

ML	ABC	SH
QS	BBL	
quickship	series code	dimensions shelves
Example	QS ML BBL	123666 SH

Wardrobes with One Door

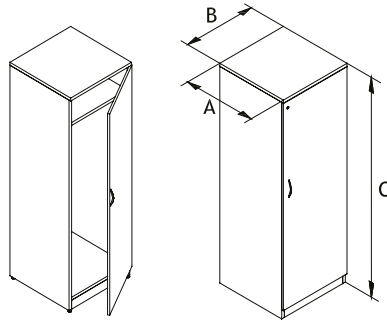
VL

Door opening to the left



VR

Door opening to the right



Note: A Quickship order cannot contain more than 20 products.

Manufacturing Standards

- Fixed shelf (8" clearance between shelf and top);
- Clothes rail;
- HJAB handle;
- Lock;
- 5/8" laminate back;
- Ventilation grill in back panel.

Handles: For handles other than HJAB standard, please choose from the Logiflex list at no extra charge.

Prices

Dimensions	
A B C	ML
201866	794
202466	878
241866	970
242466	1045
201872	868
202472	951
241872	1045
242472	1121
201884	1017
202484	1118
241884	1196
242484	1271

How to Order

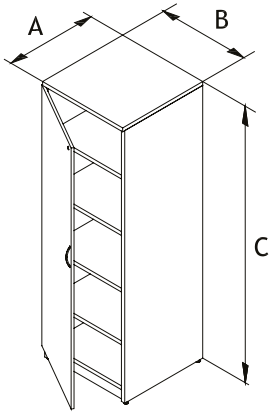
Always add the code **QS**

ML	ABC	VL VR	HJAB (std)
ML	ABC	VL VR	HJAB (std)
quickship	series	dimension	code
QS	ML	202466	VL
Example	ML	202466	VL
			HJAB

Cabinets with One Door

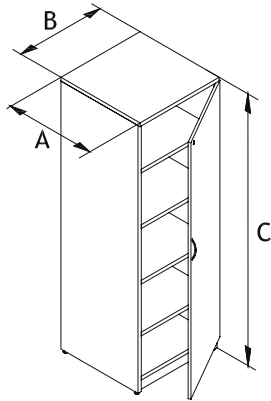
ARL

Door opening to the left



ARR

Door opening to the right



Note: A Quickship order cannot contain more than 20 products.

Manufacturing Standards

- Adjustable shelves;
- Shelf brackets;
- HJAB handle;
- Lock;
- 5/8" laminate back.

Number of adjustable shelves included:

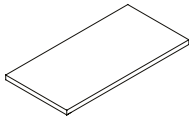
Less than 29" H: 1 shelf, 36" - 47"H: 2 shelves,
48" - 65"H: 3 shelves, 66" - 83"H: 4 shelves,
more than 84"H: 5 shelves.

Tablettes ajustables (SH): voir Annexe G pour les prix, p. 12.

Handles: For handles other than HJAB standard, please choose from the Logiflex list at no extra charge.

Options

Adjustable Shelves



Prices

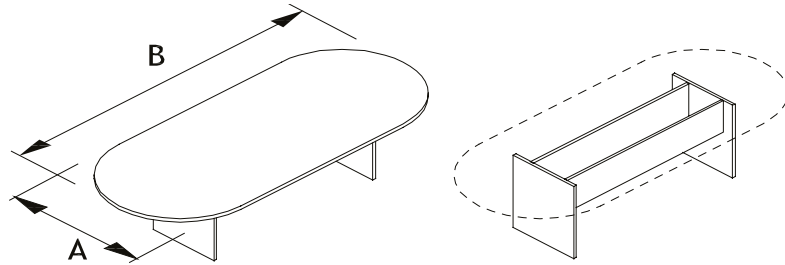
Dimensions			
A	B	C	ML
201866			980
202466			1063
241866			1154
242466			1232
201872			1055
202472			1132
241872			1231
242472			1306

How to Order

Always add the code	ML	ABC	ARL ARR	HJAB (std)	SH	
QS						
quickship	series	dimensions	code	handle	shelves	
Example	QS	ML	241866	ARL	HJAB	SH

Racetrack on H Bases

RTH



Note: A Quickship order cannot contain more than 20 products.

Manufacturing Standards

- Tables delivered disassembled;
- Laminate base.

Bases: For the number of bases, see [appendix G](#).

Surfaces: For the number of surfaces and the wood grain direction, see [appendix J](#).

Prices

Dimensions	
A B	ML
4284	1330
4296	1434
42108	1537
4884	1434
4896	1446
48120	1781
48144	1836
60168	2155

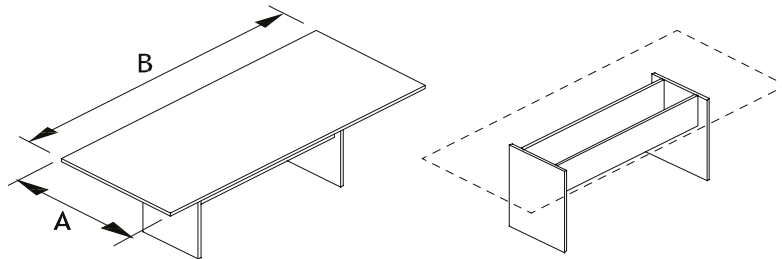
How to Order

QS Always add the code

QS	ML	AB	RT	H
quickship	series	dimensions	top	bases
Example QS	ML	4884	RT	H

Rectangular on H Bases

TH



Note: A Quickship order cannot contain more than 20 products.

Manufacturing Standards

- Tables delivered disassembled;
- Laminate base.

Bases: For the number of bases, see [appendix G](#).

Surfaces: For the number of surfaces and the wood grain direction, see [appendix J](#).

Prices

Dimensions	
A B	ML
4284	1141
4296	1243
42108	1348
4884	1243
4896	1255
48120	1595
48144	1651
60168	1961

How to Order

QS Always add the code

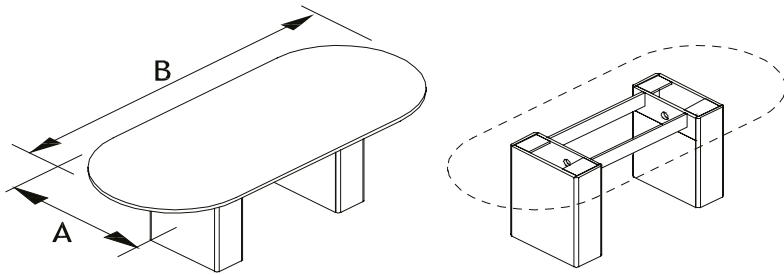
QS	ML	AB	T	H
quickship	series	dimensions	top	bases

Example QS ML 4884 T H

Quickship Furniture

Racetrack on Rectangular Bases

RTRE



Note: A Quickship order cannot contain more than 20 products.

Manufacturing Standards

- Tables delivered disassembled;
- Laminate base.

Bases: For the number of bases, see [appendix G](#).

Surfaces: For the number of surfaces and the wood grain direction, see [appendix J](#).

To add one or more access doors to the base(s) add code (AD), \$ 256 retail per access door.

Prices

Dimensions	
A B	ML
4284	1702
4296	1785
42108	2351
4884	1785
4896	1883
48120	2072
48144	2739
60168	3336

How to Order

Always add the code QS

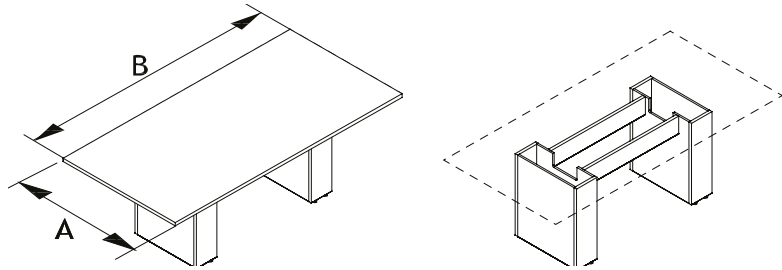
QS	ML	AB	RT	RE	AD	LCR LR
quickship	series	dimensions	top	bases	access door and position	

Example QS ML 48120 RT RE AD C

Quickship Furniture

Rectangular on Rectangular Bases

TRE



Note: A Quickship order cannot contain more than 20 products.

Manufacturing Standards

- Tables delivered disassembled;
- Laminate base.

Bases: For the number of bases, see [appendix G](#).

Surfaces: For the number of surfaces and the wood grain direction, see [appendix J](#).

To add one or more access doors to the base(s) add code (AD), \$ 256 retail per access door.

Prices

Dimensions	
A B	ML
4284	1539
4296	1623
42108	1910
4884	1623
4896	1720
48120	2188
48144	2577
60168	3173

How to Order

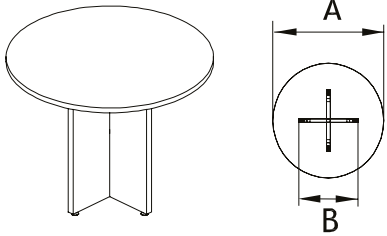
Always add the code **QS**

ML	AB	AD	LCR LR
QS		T	RE
quickship	series	dimensions	top
		bases	access door and position

Example QS ML 48120 T RE AD C

All Purpose Tables

TRX



Note: A Quickship order cannot contain more than 20 products.

Manufacturing Standards

- Delivered disassembled;
- Round table on laminate cross base;
- Height: 29".

Prices

Dimensions	
A	B
3016	527
3620	585
4224	645
4830	708
5433	755
6036	819

How to Order

QS Always add the code

quickship	series	top dimension	product	base	base dimensions
QS	ML	A	TR	X	B

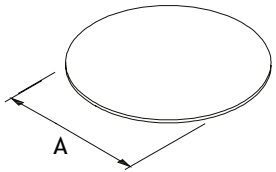
Example

QS	ML	30	TR	X	16
----	----	----	----	---	----



Round Top

TRTOP



Note: A Quickship order cannot contain more than 20 products.

Manufacturing Standards

- Round table top.

Prices

Dimensions	
A	ML
20	85
24	104
30	163
36	234
42	319
48	416
54	527
60	650

How to Order

QS Always add the code

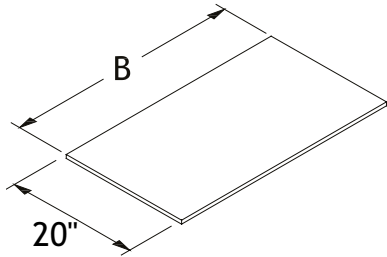
QS	ML	A	TRTOP
quickship	series	dimensions	code

Example QS ML 30 TRTOP

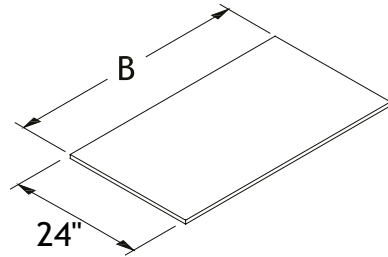


Rectangular Tops

TOP - 20"



TOP - 24"



Note: A Quickship order cannot contain more than 20 products.

Manufacturing Standards

- Rectangular table top.

Options

Grommet Position

Grommet Style

\$5 ea. \$26 ea.

Prices

Dimensions		
A	B	ML
2024		85
2030		92
2036		110
2042		128
2048		147
2054		165
2060		183
2066		202
2072		220
2078		238
2084		257
2424		88
2430		110
2436		132
2442		154
2448		176
2454		198
2460		220
2466		242
2472		264
2478		286
2484		308

How to Order

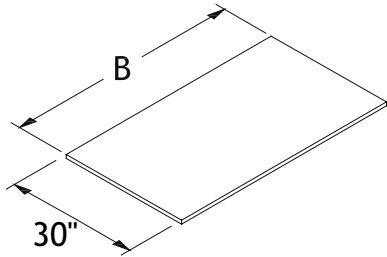
QS Always add the code

ML	AB	TOP	GRL GRR GLR GRC	CAPF CBPF CCPF ELPF (std)
quickship	series	dimensions	code	grommet position
Example QS	ML	2060	TOP	GRC ELPF

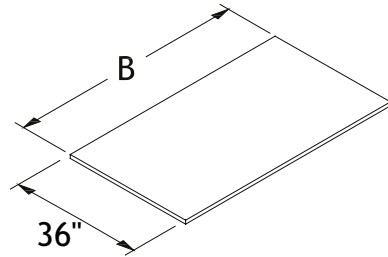


Rectangular Tops

TOP - 30"



TOP - 36"



Note: A Quickship order cannot contain more than 20 products.

Manufacturing Standards

- Rectangular table top.

Options

Grommet Position

Grommet Style

\$5 ea. \$26 ea.

Prices

Dimensions	
A	B
3024	110
3030	138
3036	165
3042	193
3048	220
3054	248
3060	275
3066	303
3072	330
3078	358
3084	385
3624	138
3630	173
3636	207
3642	242
3648	276
3654	311
3660	345
3666	380
3672	414
3678	449
3684	483

How to Order

QS

Always add the code

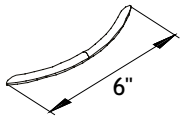
ML	AB	TOP	GRL GRR GLR GRC	CAPF CBPF CCPF ELPF (std)
quickship	series	dimensions	grommet position	grommet style
Example QS	ML	3060	TOP	GRC ELPF

Quickship Furniture

Handles

HJA

Handle

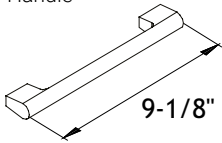


- 6" metal handle;
- 5-1/32" (128mm) center to center.

Code	\$	Description
HJA	14	<i>Satin Nickel</i>
HJAB	14	<i>Black</i>

H011

Handle

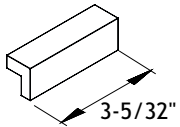


- 9-1/8" metal handle;
- 8-13/16" (224mm) center to center.

Code	\$	Description
H011	14	<i>Satin Nickel</i>

H051

Handle

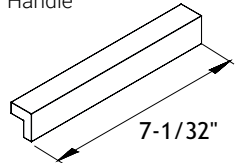


- 3-5/32" metal handle;
- 2-17/32" (64mm) center to center.

Code	\$	Description
H051CHR	14	<i>Chrome</i>
H051SN	14	<i>Satin Nickel</i>
H051BL	14	<i>Black</i>
H051WH	14	<i>White</i>

H052

Handle

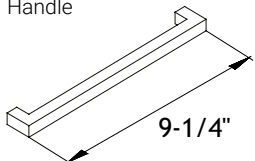


- 7-1/32" metal handle;
- 6-9/32" (160mm) center to center.

Code	\$	Description
H052CHR	14	<i>Chrome</i>
H052SN	14	<i>Satin Nickel</i>
H052BL	14	<i>Black</i>
H052WH	14	<i>White</i>

H060

Handle

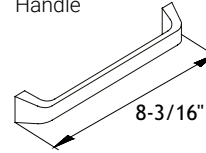


- 9-1/4" metal handle;
- 8-3/4" (222.25mm) center to center.

Code	\$	Description
H060BN	14	<i>Brushed Nickel</i>
H060CHR	14	<i>Chrome</i>

H070

Handle

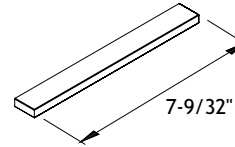


- 8-3/16" metal handle;
- 7-1/2" (190.5mm) center to center.

Code	\$	Description
H070BN	14	<i>Brushed Nickel</i>
H070CHR	14	<i>Chrome</i>

H071

Handle

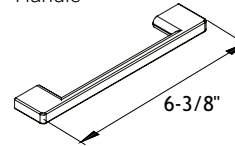


- 7-9/32" metal handle;
- 6-5/16" (160.338mm) center to center.

Code	\$	Description
H071CHR	14	<i>Chrome</i>
H071BN	14	<i>Brushed Nickel</i>
H071BL	14	<i>Black</i>
H071WH	14	<i>White</i>

H072

Handle

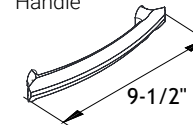


- 6-3/8" metal handle;
- 5-1/32" (127.8mm) center to center.

Code	\$	Description
H072CHR	14	<i>Chrome</i>
H072BL	14	<i>Black</i>
H072WH	14	<i>White</i>

SXP002

Handle

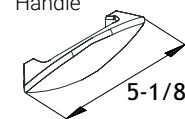


- 9-1/2" metal handle;
- 7-9/16" (192mm) center to center.

Code	\$	Description
SXP002	14	<i>Satin Nickel</i>

SXP003

Handle



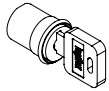
- 5-1/8" metal handle;
- 3-25/32" (96mm) center to center.

Code	\$	Description
SXP003	14	<i>Satin Nickel</i>

Miscellaneous Accessoires

LK

Lock/Key



- Locks with keys
- Finish: Satin nickel or black finish;
- Additional locks, sold separately or factory installed;
- Please specify the type of furniture on which the will be installed.

Code	\$	Description
LKSN	43	Satin Nickel lock (factory installed)
LKBL	43	Black lock (factory installed)

LKSNF	27	Satin Nickel front lock
LKBLF	27	Black front lock

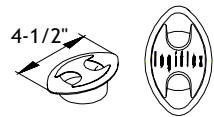
LKSNP	27	Satin Nickel door lock
LKBLP	27	Black door lock

KEY	19	Set of 2 keys - #501 - 600
SERR 010	19	1 master key



ELPF

Black Plastic Grommet

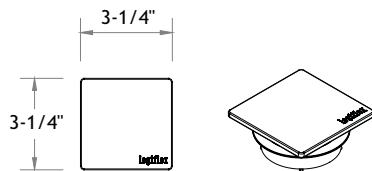


- Standard black plastic grommet with the Logiflex logo engraved;
- 2-1/2" diameter cutout.

Code	\$	Description
ELPF	5	Unit price

C_PF

Grommet

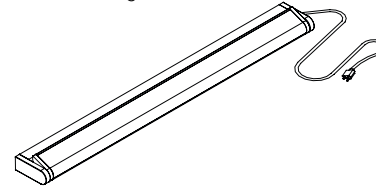


- Square metal grommet with the Logiflex logo engraved;
- Finish: Satin Nickel, Black and Chrome;
- 2-1/2" diameter cutout.

Code	\$	Description
CAPF	26	Unit price - Satin Nickel
CBPF	26	Unit price - Black
CCPF	26	Unit price - Chrome
CDPF	26	Unit price - White

DEL20

LED task light



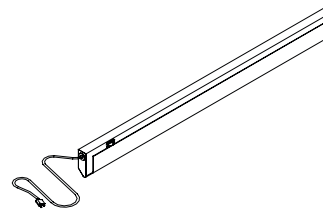
- 20" LED task light, 7.5W, cool white;
- 180° swivel feature;
- 72" power cable with electric plug;
- 20" connection wire for DEL20 task lamps;
- Finish: Satin nickel.



Code	\$	Description
DEL20	216	20" length

T5

Florescent task light



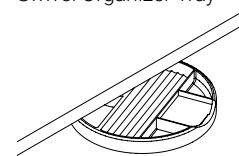
- Florescent lamp (T5) with swivel reflector and electronic ballast;
- 120" power cable with electric plug;
- 16" connection wire for T524, T536 or T548 florescent task lamps;
- Finish: Black and Satin Nickel



Code	\$	Description
T524 BL	170	24" length - Black
T524SN	170	24" length - Satin Nickel
T536 BL	226	36" length - Black
T536 SN	226	36" length - Satin Nickel
T548 BL	296	48" length - Black
T548 SN	296	48" length - Satin Nickel

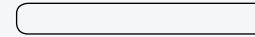
SWV

Swivel Organizer Tray



- Storage drawer that rotate 360 degrees;
- Mounts flush to the edge;
- Dimensions: 7-1/2"D x 8-7/8"W x 1"H.

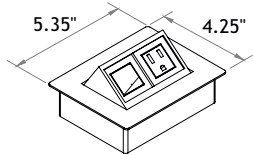
Code	\$	Description
SWV	63	



Electrical Accessories

MH3A

Connectivity unit



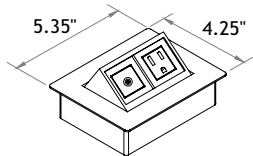
- Retractable connectivity unit with 1 electrical outlet and 1 empty telecommunication outlet (outlet not included);
- 72" or 120" power cable with electric plug;
- Finish: Satin Nickel.



Code	S	Description
MH3A	397	Satin Nickel, 72" power cable
MH3A120	410	Satin Nickel, 120" power cable

MH3B

Connectivity unit



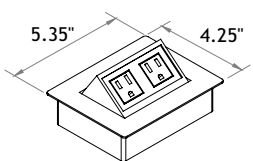
- Retractable connectivity unit with 1 audio jack and 1 electrical outlet;
- 72" or 120" power cable with electric plug;
- Finish: Satin Nickel.



Code	S	Description
MH3B	397	Satin Nickel, 72" power cable
MH3B120	410	Satin Nickel, 120" power cable

MH3C

Connectivity unit



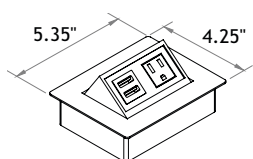
- Retractable connectivity unit with 2 electrical outlets;
- 72" or 120" power cable with electric plug;
- Finish: Satin Nickel.



Code	S	Description
MH3C	397	Satin Nickel, 72" power cable
MH3C120	410	Satin Nickel, 120" power cable

MH3D

Connectivity unit



- Retractable connectivity unit with 1 electrical outlet and 2 USB (chargers);
- 72" or 120" power cable with electric plug;
- Finish: Satin Nickel.



Code	S	Description
MH3DSN	397	Satin Nickel, 72" power cable
MH3DSN120	410	Satin Nickel, 120" power cable
MH3DBL	397	Black, 72" power cable
MH3DWH	397	White, 72" power cable

As our product line is constantly evolving and expanding, we recommend that you visit logiflex.ca for updates.

logiflex

1235 St-Roch N., Sherbrooke QC J1N 0H2 Canada
T : 1.877.864.9323 | F : 1.800.474.7830 | logiflex.ca

July 24, 2023 | Canada

LOGIFLEX | QUICKSHIP

