

# MILLENNIUM

Price List  
USA 2023



logiflex

# Table of Contents

|   |           |                                       |           |                                 |            |
|---|-----------|---------------------------------------|-----------|---------------------------------|------------|
| <b>Introduction</b>                                   | <b>3</b>  | Returns with Cabinets                 | 45        | <b>Hutches and Wall Storage</b> | <b>106</b> |
| Update Summary  | 4         | Bridges                               | 47        | Cabinet Hutches                 | 107        |
| Product Map   | 5         | Connection Tops                       | 49        | Corner Hutches                  | 111        |
| Our social responsibility                             | 9         | <b>Tables</b>                         | <b>50</b> | Adjustable Shelf Hutches        | 112        |
| Conditions of Sale                                    | 9         | Arched Tables                         | 51        | Wall Hutches                    | 113        |
| Manufacturing Standards                               | 10        | D and P Tables                        | 53        | Open Hutches                    | 116        |
| How to Use the Price List                             | 11        | Extended D and P Tables               | 62        | Wall Shelves                    | 124        |
| Appendix A: Colors and Finishes                       | 12        | Corner Tables                         | 66        | Tackboards                      | 125        |
| Appendix B: Surfaces and Molding Edges                | 13        | Extended Corner Tables                | 67        | <b>Bookcases and Cabinets</b>   | <b>127</b> |
| Appendix C: Modesty Panels                            | 14        | Lateral Tables                        | 71        | Corner Bookcases                | 128        |
| Appendix D: Wood Grain                                | 15        | <b>Pedestals and Cabinets</b>         | <b>73</b> | Bookcases                       | 129        |
| Appendix E: Handle Finishes for Glass Doors           | 16        | Independent Pedestals                 | 74        | Display Cases                   | 133        |
| Appendix F: Pedestals and File Drawers                | 17        | Mobile Pedestals                      | 81        | Wardrobes                       | 135        |
| Appendix G: Pricing for Additional Adjustable Shelves | 18        | Combination Pedestals                 | 84        | Wardrobes with Pedestals        | 140        |
| Appendix H: Pricing for Tops                          | 19        | Lateral Filing Cabinets               | 85        | Cabinets                        | 142        |
| Appendix I: Calculation/Use of Electrical Components  | 20        | <b>Credenzas</b>                      | <b>86</b> | Pigeonhole Units                | 150        |
| <b>Desks</b>  | <b>23</b> | Credenzas with Pedestals              | 87        | Multiple Units                  | 152        |
| Shells (Empty Desks)                                  | 24        | Credenzas with Lateral Filing Cabinet | 94        | <b>Accessories</b>              | <b>161</b> |
| Extended Desks with Straight Cut                      | 26        | Credenzas with Cabinets               | 96        | Handles                         | 162        |
| Extended Desks with Rounded Cut                       | 28        | Combination Credenzas                 | 98        | Legs                            | 163        |
| Desks with Pedestals                                  | 30        | Server Credenzas                      | 101       | Keyboard Trays                  | 166        |
| <b>Returns</b>  | <b>35</b> | Server Credenzas with Utility Drawers | 102       | CPU Holders                     | 167        |
| Empty Returns   | 36        | Server Credenzas with Utility Drawers | 103       | Computer Monitor Brackets       | 168        |
| Reversible Empty Returns                              | 37        | Transaction Tops                      | 104       | Miscellaneous Accessories       | 170        |
| Returns with Pedestals                                | 38        |                                       |           | Electrical Accessories          | 172        |
| Returns with Lateral File Drawers                     | 43        |                                       |           |                                 |            |





# Update Summary

The Millenium price list presents these principal modifications:

| DATE          | SECTION | MODIFICATIONS   |
|---------------|---------|---|
| July 24, 2023 | Hutches | <ul style="list-style-type: none"> <li>Removal of the wiring space at the bottom of hutches.</li> </ul> |

Previous updates:

| DATE             | SECTION                | MODIFICATIONS  |
|------------------|------------------------|--|
| July 4, 2023     | Electrical accessories | <ul style="list-style-type: none"> <li>Chicago Code : Certain electrical components are now marked prohibited or restricted for orders in chicago. (USA pricelist only).</li> </ul>  |
| May 22, 2023     | Mobile Pedestals       | <ul style="list-style-type: none"> <li>Addition of mobile pedestals MOBD18 and MOBD23.</li> </ul>  |
| February 1, 2023 | All the price list     | <ul style="list-style-type: none"> <li>All prices have been increased by approximately 5%.</li> <li>Removal of products : BFF, REFL, RFEL, REFR, RFER, TDAM, TPAM, TCGL, TCGR, Factory Installed Pedestals, CEFL, CFEL, CEEL, CFFL, CEFR, CFER, CEER, CFFR, SCU04, SCU04FL, SCU02PV, SCU04PV, RSCX, HARRPV, HARPV, HPVW, HPFLPGW, HPVPGW, HPV, HPAV, HPFLPG, HPVPG, HPAFLPG, HPAVPG, LI, LIW, VRPV, VPV, ARRPV, ARPV20, ARPV24, F45B, MU7, MU8, MU18, MU19, MU23PV, MU24PV, MU26, MU27, MU34, PSQ, OVAM.</li> <li>Some excessively large dimensions have been removed for products.</li> <li>Transition from 6 to 14 grades of fabric.</li> <li>Addition of PGDIND &amp; PGUCLIND pedestals. Addition of BCX desk.</li> <li>New certification Indoor Advantage Gold (replace Greenguard).</li> </ul> |
|                  | Appendix E             | <ul style="list-style-type: none"> <li>Removal of PV - Glass Doors.</li> </ul>   |
| December 1, 2022 | All the price list     | <ul style="list-style-type: none"> <li>Added notes for phasing out of certain products/options/dimensions in February 2023.</li> </ul>   |
|                  | Electrical accessories | <ul style="list-style-type: none"> <li>Adjustment of the names and images of certain items.</li> </ul>   |

# Introduction

## Product Map

### Desks

|                      |       |
|----------------------|-------|
| Shells (Empty Desks) | p. 24 |
|----------------------|-------|

|                      |       |
|----------------------|-------|
| Desks with Pedestals | p. 31 |
|----------------------|-------|

### Returns

|                      |       |
|----------------------|-------|
| Empty and Reversible | p. 36 |
|----------------------|-------|

|                        |       |
|------------------------|-------|
| Returns with Pedestals | p. 38 |
|------------------------|-------|

|                                    |       |
|------------------------------------|-------|
| Returns with Combination Pedestals | p. 41 |
|------------------------------------|-------|

|                                   |       |
|-----------------------------------|-------|
| Returns with Lateral File Drawers | p. 44 |
|-----------------------------------|-------|

|                       |       |
|-----------------------|-------|
| Returns with Cabinets | p. 45 |
|-----------------------|-------|

|         |       |
|---------|-------|
| Bridges | p. 47 |
|---------|-------|

|                 |       |
|-----------------|-------|
| Connection Tops | p. 49 |
|-----------------|-------|

### Tables

|               |       |
|---------------|-------|
| Arched Tables | p. 51 |
|---------------|-------|

|                             |
|-----------------------------|
| D, P and Rectangular Tables |
|-----------------------------|

|  |       |
|--|-------|
|  | p. 53 |
|--|-------|

|               |       |
|---------------|-------|
| Corner Tables | p. 66 |
|---------------|-------|

|                        |       |
|------------------------|-------|
| Extended Corner Tables | p. 67 |
|------------------------|-------|

|                |       |
|----------------|-------|
| Lateral Tables | p. 71 |
|----------------|-------|

# Introduction

## Product Map

### Pedestals and Cabinets

Independent Pedestals p. 74

Mobile Pedestals p. 82

Combination Pedestals p. 84

Lateral Filing Cabinets p. 85

### Credenzas

Credenzas with Pedestals p. 87

Credenzas with Combination Pedestals p. 92

Lateral Filing p. 94

Cabinets p. 96

Combination Credenzas p. 98

Server Credenzas p. 101

### Transaction Tops

Transaction Tops p. 104

# Introduction

## Product Map

### Hutches

Cabinet Hutches p. 107

Corner Hutches p. 111

Adjustable Shelves p. 112

Wall Hutches p. 113

Wall Hutches with Pigeon Hole Unit p. 115

Desk Hutches p. 116

Desk Hutches with Pigeon Hole Unit p. 121

Wall Shelves p. 124

Tackboards p. 125



# Introduction

## Product Map

### Bookcases and Cabinets

Corner Bookcases p. 128



Bookcases p. 129



Display Cases p. 133



Wardrobes p. 135



Wardrobes with Pedestals p. 140



Cabinets p. 142



Form Holders p. 150



Multiple Units p. 152





## Our social responsibility

At Logiflex, we have chosen to be a responsible North American manufacturer by implementing initiatives for sustainable development. As much as possible, we source local materials and partner with suppliers who prioritize clean manufacturing processes. We also consolidate goods during transport to reduce our fuel consumption and we continually make changes that help reduce our waste production.

The company is ISO 9001 certified.

You can consult our eco-responsible approach as well as all our certifications in the [Certifications](#) section of our website. Find out how our products can help you obtain LEED credits and the Logiflex products that are Indoor Advantage Gold certified.

## Conditions of Sale

### Prices

The amounts listed in this document are suggested retail prices and may be changed without notice. Applicable taxes are not included. If you have an open and active account with Logiflex, merchandise will be invoiced at the prices prevailing at the time of shipment. A deposit may be requested if the opening of your account has not been completed or if your account has become inactive.

### Terms of Payment

Net 30 days F.O.B. Sherbrooke, Quebec. The invoice will be assigned the shipping date and is payable 30 days from that date. Logiflex remains the owner of the merchandise until the invoice is paid in full.

### Customized Products (Special Items)

Price requests for customized products or special items can be submitted via the "[Private Space](#)" section of our website, at [www.logiflex.ca](http://www.logiflex.ca). Our quotations department will study your request and send you a quotation and a technical drawing for approval as soon as possible. Modifications to quotations or technical drawings can be requested the same way. The approved quotation(s) and technical drawing(s) can then be attached to your purchase order.

### Orders

An official purchase order must be issued for all purchases. Your purchase order must contain the following information:

- Your company letterhead
- Your reference number
- The delivery address (with contact name, email and phone number)
- The complete product codes
- Furniture colour(s)
- Quantities
- Descriptions
- Retail prices and net prices
- Project registration number (if applicable), and your approved quotation and technical drawing (for special items).

Please note that a quotation cannot serve as a purchase order.

### Returns

All returns must first be approved by Logiflex. If the return is accepted, a Logiflex customer service representative will send you an official return authorization form in order to facilitate procedures between you, the carrier, and the Logiflex merchandise reception clerk. Additional costs for shipping or other expenses may be applied following any merchandise returns.

### Modifications and/or Cancellations

You have 48 hours from the time we acknowledge receipt of your order to make any requests for corrections or modifications. You may cancel your order during this same 48-hour period. If you would like to modify or cancel your order after this 48-hour verification period, please check with a Logiflex customer service representative. Orders cannot be changed or cancelled if production has already begun or if Logiflex has already received the raw materials.

### Liability

Logiflex's liability ends once the carrier has delivered all items in good condition. A delivery receipt signed by the customer acknowledges that the shipment is complete and has been received in good condition.

### Claims

Logiflex recommends inspecting the shipment before signing the carrier's delivery receipt. You must notify Logiflex of any incomplete shipments or damaged furniture within 30 days after delivery. Requests to replace damaged products can be made via the "[Private Space](#)" section of our website, at [www.logiflex.ca](http://www.logiflex.ca). Our after-sales service department will examine your request and help you correct the situation.

### Changes

Logiflex reserves the right to make changes to the materials, accessories, components, specifications and designs, and to discontinue collections and/or models, at any time and without prior notice.

### Storage and/or Shipping Fees

According to the terms Logiflex set forth in the transport policy. The transport policy can be consulted online in the [Private Space](#).

### Items Delivered Disassembled

Some items are delivered disassembled, such as empty desks, empty returns, bridges, arched tables, D, P or Q tables, lateral tables, end tables, hook tables, corner tables and extended-corner tables.

### Warranty

Logiflex guarantees to the original purchaser that Logiflex products are free from defects in design, materials and workmanship for the product's lifetime, with certain exceptions.

You may consult the full warranty on the website:

[Logiflex Warranty](#)

# Introduction

## Manufacturing Standards

### Product Dimensions

For display purposes, the furniture dimensions represented in the price tables on each product page are rounded to the nearest whole number.

### Furniture Construction

- All desktops and legs are 1" thick laminate;
- Fronts, backs and modesties are 5/8" thick laminate.

### Handles

Handles are included for the majority of Millenium furniture items with fronts, with the exception of hutches and D, E and F pedestals, for which handles are sold as options. The standard handle style, when included, is HJAB (black). Please refer to the Logiflex handle selection in the [Accessories](#) section at the end of this price list.

### Grommets

Grommets are included for some items such as D,P and REG tables, lateral, end, corner, extended-corner and arc tables, and returns. When grommets are included, the standard style is the ELPF grommet.

### Locks

LKBL (black) locks are included for some items, such as pedestals, lateral file drawers, cabinets, wardrobes, combination units and credenzas. To specify a different type of lock, please refer to the [Accessories](#) section at the end of this price list to see the different models offered by Logiflex.

### Pedestals

All drawers are made of black Medium density fiberboard (MDF) with an average thickness of 7/16". Type D, E and F pedestals include a black polyvinyl chloride (PVC) extrusion for easy finger grip operation (no handle).

### Drawer Fronts

A PVC strip 1.5 mm thick is systematically applied along all drawer front edges.

### Wood Grain

The wood grain is always vertical on fronts and furniture doors. Surfaces more than 96" are in two parts. Logiflex cannot guarantee that the wood grain will match up on the different parts of a same surface.

### Hutches

All hutches have 1-1/8" wire space at the lower back and a round grommet at the back of the unit for light fixture wires.

### Finishes

You must specify the desired finish(es) for each item of furniture ordered. Please make your selection(s) from the Logiflex chart.

### Fabric

You must specify the fabric when the item so requires. Please make your selection(s) from the Logiflex chart.

### Levelers

All furniture items (except bridges) sit on 1" in diameter, white nylon levelers, allowing for up to 1-1/4" height adjustment. The standard finished height for work surfaces is 29".

# Introduction

## How to Use the Price List

**Interactive Menu**

- Product line: Cabinet Hutches, Wall Hutches, Desk Hutches / Pigeon Hole Unit
- Product group: Hutches and Storage
- Product name: Desk Hutches with Doors
- Product code: HP

**Product image**

**Product Information**

**Leg Bases**

- LR: Full Legs
- LH: Half Leg on Right
- HR: Half Leg on Left
- HH: 2 Half Legs

**Illustrated options**

- Tackboard: TB
- Lock: LKBL, LKSN (\$\$)
- Pre-drilled Holes with 3 Dividers: DVD (\$\$)

**Navigation Buttons (when blue)**

- Previous View
- Previous Page
- Next Page
- Product Map
- Table of Contents

**Ordering instructions**

**Manufacturing Standards**

- Horizontal wood grain on back panel.
- Task light concealer.
- Flexible grommet on back.

**Additional Product Information and Notes**

- Number of Doors: 30" - 42": 2 doors, 48" - 54": 3 doors, 60" - 72": 4 doors, 84": 5 doors.
- Tackboards: A fabric (TB)
- Leg Base: If the choice of base is not specified, the standard is 2 full legs (LR). For 1/2 leg on left or right (HR or LH) add \$\$ retail. For two half legs (HH), add \$\$ retail. Warning: hutches with half legs (HH) must be secured to the wall or adjacent furniture so that they do not tip forward. Logiflex is not responsible for any accidents caused by incorrectly installed hutches.
- Locks: Offered as option. Black (LKBL) or satin nickel (LKSN). Match to handle color.
- Dividers: Offered as option. Pre-drilled holes for dividers (DVD), set of 3 wire dividers included.
- Handles: To add handles, please choose from the Logiflex list. Add \$\$ retail each.

**Prices**

| Series | Dimensions (A B C) | ML  |
|--------|--------------------|-----|
| 163037 |                    | *** |
| 163637 |                    | *** |
| 164237 |                    | *** |
| 164837 |                    | *** |
| 165437 |                    | *** |
| 166037 |                    | *** |
| 166637 |                    | *** |
| 167237 |                    | *** |
| 168437 |                    | *** |

**How to Order**

| ML               | AB         | HP   | C      | TB                 | HH<br>HR<br>LH<br>LR (std) | LKBL<br>LKSN  | DVD      |                  |
|------------------|------------|------|--------|--------------------|----------------------------|---------------|----------|------------------|
| series (Appx. B) | dimensions | code | height | tackboard (p. 167) | leg base                   | lock (p. 225) | dividers | handles (p. 215) |
| Example ML       | 1636       | HP   | 43     | TB                 | LR                         | LKSN          | DVD      |                  |

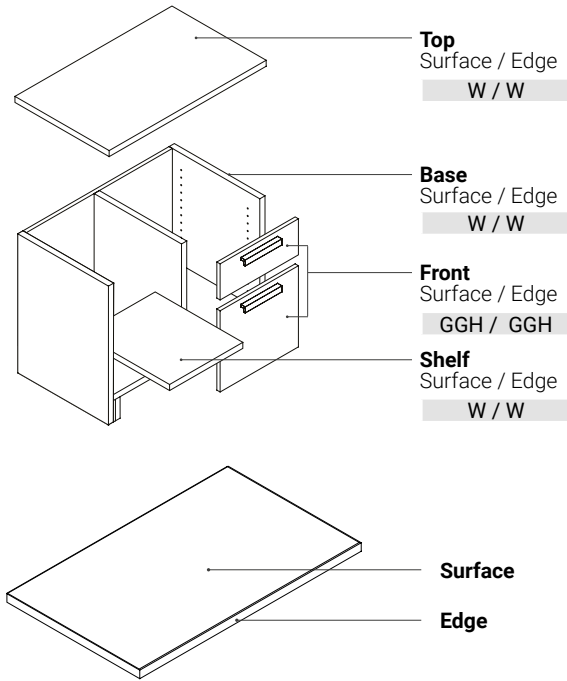
**Standard Product Code**  
Details as per the price listed

**Options, if desired (\$)**  
Always after the product code

# Introduction

## Appendix A: Colors and Finishes

### How to specify your laminate colors



### Glass and Acrylic

- V4** White Glass
- V5** White Satin Glass
- KB** Jet Black Glass
- KS** Black Satin Glass
- KE** Ocean Blue Glass
- KO** Overseas Blue Glass
- KR** Bright Red Glass
- KM** Metallic Gray Glass
- KA** Satin Silver Glass
- KG** Satin Gold Glass
- VS** Frosted Glass
- PL** Frosted Acrylic

### Availability Chart

| FINI FINISH               | CODE   | COLOR COULEUR                                  | THICKNESS ÉPAISSEUR |    |        | HPL STRATIFIÉ | PANVAL CODE   |
|---------------------------|--------|--|---------------------|----|--------|---------------|---------------|
|                           |        |  | 5/8"                | 1" | 1-5/8" |               |               |
| OMNIA                     | DOO    | Dosha  | •                   | •  |        | •             | K77           |
|                           | COO    | Cosmos   | •                   | •  |        | •             | K78           |
| AURA                      | GIA    | Ginger Root   Gingembre                        | •                   | •  |        | •             | H72           |
|                           | HAA    | Haze   Brume                                   | •                   | •  | •      | •             | H57           |
|                           | OHA    | Ohm  | •                   | •  | •      | •             | K69           |
|                           | STA    | Storm   Tempête                                | •                   | •  | •      | •             | H58           |
|                           | TUA    | Tundra   | •                   | •  |        | •             | H75           |
| LYRA                      | ASY    | Asha   | •                   | •  |        | •             | K47           |
|                           | CIY    | Chiffon   Mousseline **                        | •                   | •  | •      | •             | K60           |
|                           | KAY    | Kali   | •                   | •  |        | •             | K46           |
| SUPERMAT                  | IGS    | Ingot grey   Gris lingot                       | •                   | •  |        |               | 828           |
|                           | WGS    | Willow grey   Gris saule                       | •                   | •  |        |               | 802           |
| DOLOMITE                  | AU     | Audacity   Audace **                           | •                   | •  | •      | •             | 241           |
|                           | B      | Jet Black   Noir intense *                     | •                   | •  |        | •             | 888   S405-CA |
|                           | BC     | Brown cherry   Cerisier brun                   | •                   | •  | •      | •             | 207           |
|                           | C      | Slate   Ardoise *                              | •                   | •  |        | •             | 801           |
|                           | DR     | Driftwood   Bois de rive                       | •                   | •  |        | •             | 744           |
|                           | G      | Mink Grey   Gris vison                         | •                   | •  |        | •             | 805   OU-927  |
|                           | NM     | Natural Maple   Érable naturel                 | •                   | •  | •      | •             | 206           |
|                           | PO     | Porto  | •                   | •  |        | •             | 913   OU-648  |
|                           | SW     | Smoked Walnut   Noyer fumé                     | •                   | •  | •      | •             | G21           |
|                           | TO     | Tobacco  | •                   | •  |        | •             | 205           |
|                           | W      | Polar White   Blanc polaire                    | •                   | •  | •      | •             | 555   459-CA  |
| WK                        | Whisky | •  | •                   | •  | •      | 245           |               |
| HIGH GLOSS   SUPER LUSTRE | W-H    | Polar White - fronts   Blanc polaire - façades | •                   |    |        |               |               |

\* Non recommended color for work surfaces.

\*\* For conference tables with 2 or more parts, we do not recommend the use of colors with irregular and contrasted woodgrain like Chiffon, Audacity or Coastal Pear as it results in a pronounced wood grain mismatch.

Colors may vary from 2% to 5% between tfl and hpl laminates due to different technical applications.




See our complete [Colors & Finishes Guide](#)

N New





## Appendix B: Surfaces and Molding Edges

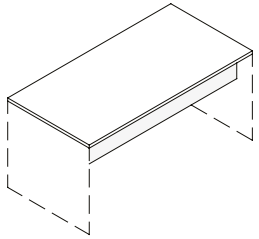
| SERIES     | PREVIEW   | COMPONENT                      | MATERIAL  | EDGES / MOLDING  |
|------------|---|--------------------------------|---|--|
| <b>ML</b>  |  | <b>1" surface</b>              | Thermofused laminate (TFL) - 1" high-density particle board.  | 1.5 mm polyvinyl chloride (PVC)  |
| <b>MLL</b> |  | <b>1-1/16" surface</b>         | High pressure laminate (HPL) - 1" high-density particle board, 1/32" HPL sheet on surface, 1/32" balancing sheet under surface (prevents bending) with 2.5 mm PVC edge. | 1.5 mm polyvinyl chloride (PVC)  |
|            |  | <b>Front, back and modesty</b> | Thermofused laminate (TFL) - 5/8" high-density particle board.  | 1.5 mm polyvinyl chloride (PVC) on showing surfaces and 0.5 mm polyvinyl chloride (PVC) on non-showing surfaces. |

# Introduction

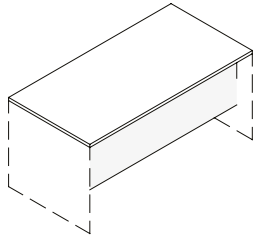


## Appendix C: Modesty Panels

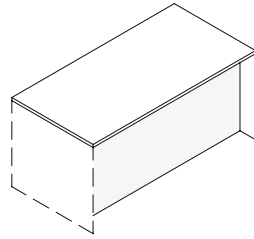
### Modesty Height



10" high  
PM

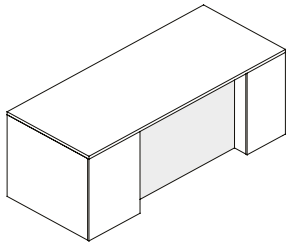


18-1/2" high  
SM

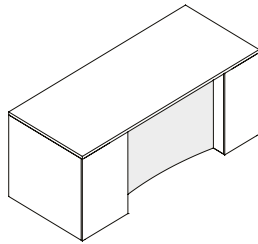


Full height  
FM

### Minister Modesty

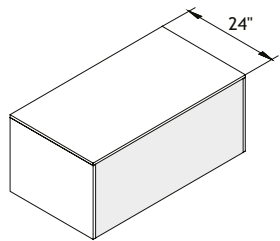


Minister Front  
MID

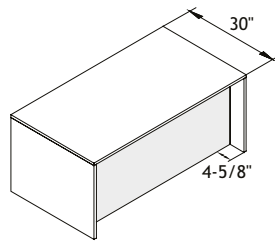


Curved Minister  
MIDC

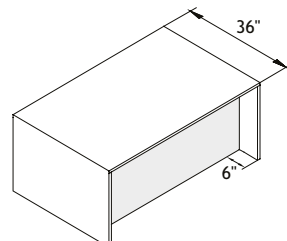
### Recessed Modesty



Flush Modesty



Modesty Recess  
4-5/8" for 30" desk



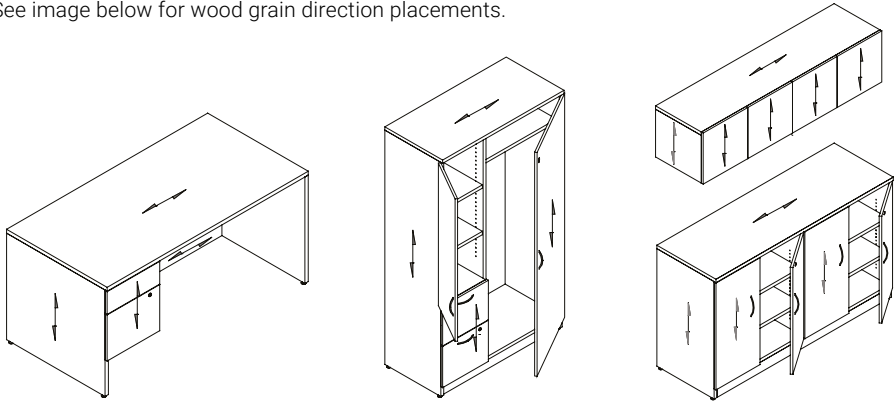
Modesty Recess  
6" for 36" desk

# Introduction

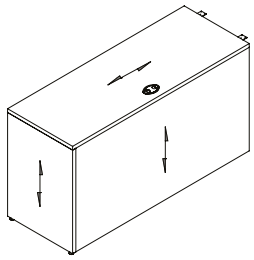


## Appendix D: Wood Grain

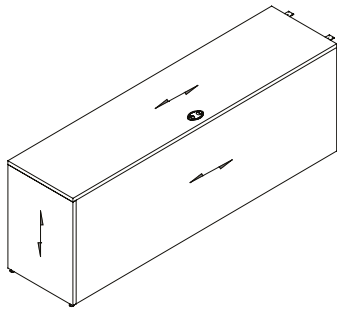
Wood grain runs lengthwise on surfaces and vertically on drawers, doors and legs.  
See image below for wood grain direction placements.



Wood grain on returns:



Less than 60"

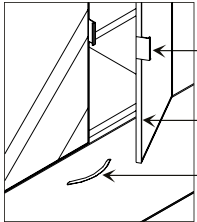


More than 60"



## Appendix E: Handle Finishes for Glass Doors

### FL - Glass Doors



Built-in aluminum handles

Aluminum-frame door

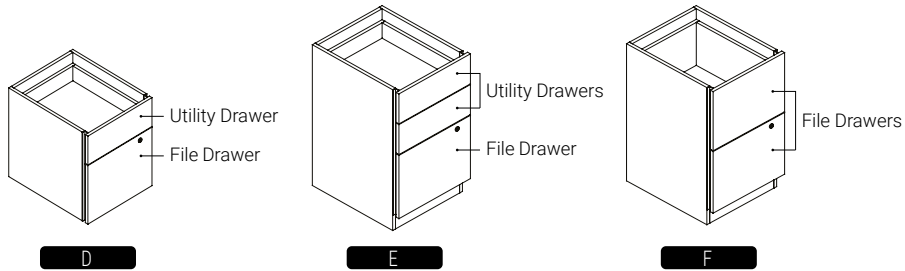
Handles: HJA (Satin Nickel)  
*For handles other than the HJA standard,  
please choose from the Logiflex list,  
no charge (p. 162).*

# Introduction



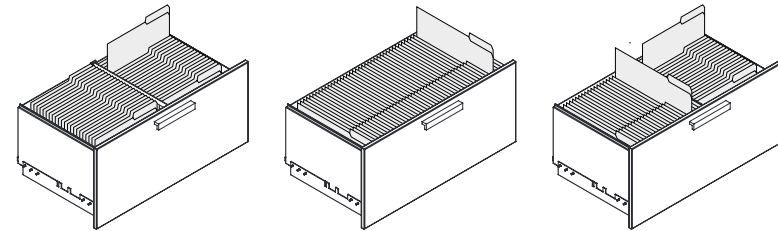
## Appendix F: Pedestals and File Drawers

### D, E and F Pedestals



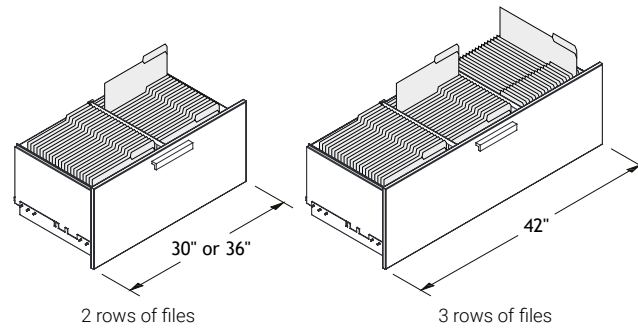
### Lateral File Drawers

Lateral file drawers can receive either legal or letter formats. Please refer to the illustration below.

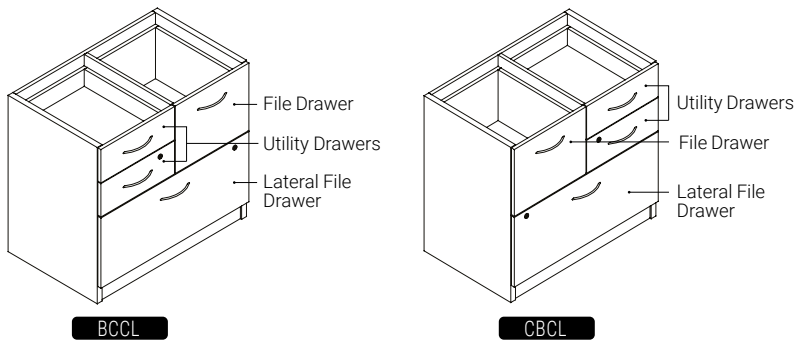


Legal and Letter formats

30" and 36" file drawers can accommodate 2 rows of files.  
42" file drawers can accommodate 3 rows of files.

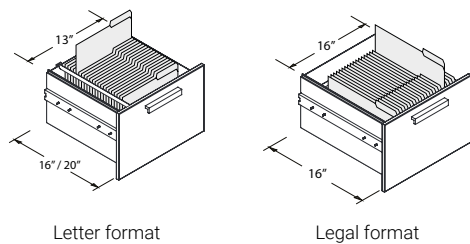


### Combination Pedestals



### File Drawers

File drawers can receive either legal or letter formats. Please refer to the illustration below.







## Appendix G: Pricing for Additional Adjustable Shelves

To find out the price for additional adjustable shelves, trace down the vertical column "A" the shelf depth to its intersection with columns "B" the shelf length.

|   |        | B   |     |     |     |     |     |     |     |     |
|---|--------|-----|-----|-----|-----|-----|-----|-----|-----|-----|
|   |        | 12" | 15" | 18" | 20" | 24" | 30" | 36" | 42" | 48" |
| A | \$ 12" | 22  | 26  | 34  | 36  | 42  | 51  | 63  | 72  | 83  |
|   | 15"    | 26  | 35  | 40  | 43  | 51  | 65  | 78  | 90  | 105 |
|   | 16"    | 27  | 36  | 42  | 45  | 56  | 70  | 83  | 97  | 111 |
|   | 20"    | 36  | 43  | 51  | 58  | 70  | 86  | 105 | 122 | 137 |
|   | 24"    | 42  | 51  | 63  | 70  | 83  | 105 | 125 | 144 | 167 |
|   | 30"    | 51  | 65  | 78  | 86  | 105 | 129 |     |     |     |

# Introduction

## Appendix H: Pricing for Tops

To calculate pricing for desk and table tops, use the following formula:

### Calculation of retail price

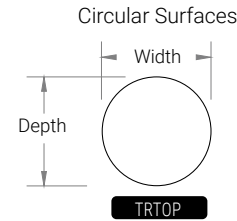
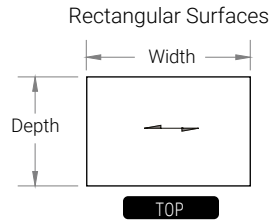
Depth x Width / 144 x sq. ft. price = Retail Price\*

Ex.: 24" x 48" = 1152 / 144 = 8 sq. ft. price x \$45 = \$360

### Addition of the Knife Edge

Depth x Width / 144 x \$29 = Retail Price\*

Add together the prices of the surface and the knife edge.



| Retail Price per square foot  |                   |   |                   |
|---|-------------------|---|-------------------|
| ML  |                   | MLL   |                   |
| Rectangular Surfaces  | Circular Surfaces | Rectangular Surfaces  | Circular Surfaces |
| \$ 23 Depth 30" and less  | \$ 29             | \$ 45   | \$ 47             |
| \$ 24 Depth greater than 30"  |                   |   |                   |
| <b>1" Surface:</b> Thermofused laminate (TFL) - 1" high-density particle board with 1.5 mm polyvinyl chloride edge. |                   | <b>1-1/16" Surface:</b> High pressure laminate (HPL) - 1" high-density particle board, 1/32" HPL sheet on surface, 1/32" balancing sheet under surface (prevents bending) with 1.5 mm PVC edge. |                   |

\*Note: A minimum fee of \$100 is applied to prices of lesser amounts.

## Surface Price Calculator

In the fields below, input the desired depth and width as well as the square foot price found in the above price grid.

**Dimensions**

in. x  in. / 144 x \$

Depth                      Width                      Square foot price

## How to Order Top

|    |            |     |                |               |                |
|----|------------|-----|----------------|---------------|----------------|
| ML | Dimensions | TOP | Grommet option | Grommet model | Laminate color |
|----|------------|-----|----------------|---------------|----------------|

= \$       \$

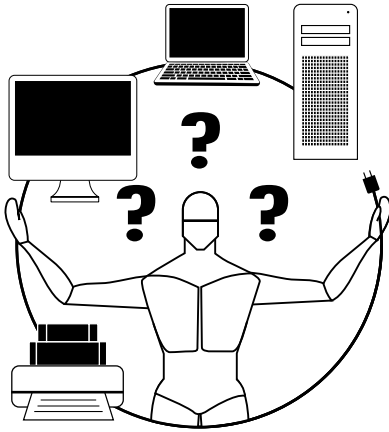
**Total (surface only)**      **Total (with knife edge)**

**Grommets:** It is possible to add grommets to the rectangular surfaces.

**Options**

| Grommet Position | Grommet Style                |
|------------------|------------------------------|
|                  |                              |
|                  | <p>\$0 ea.      \$26 ea.</p> |

## Appendix I: Calculation/Use of Electrical Components



### An Introduction to Calculation and Use of Electrical Components

Most people are uncomfortable with anything related to electricity. This step-by-step guide is intended for people who are not familiar with electrical installations but who have to specify what system they need when ordering furniture. In this guide, you will learn how to choose and specify the electrical components required for your projects. The list that follows illustrates and identifies each product and describes its applications.

The electrical components are all recognized by the Underwriters Laboratory (UL) as office furniture accessories and are manufactured according to Canadian Standards Association (CSA) and UL electrical standards.

**Note:** All electrical connections must be performed by a certified electrician.

By following these 3 simple steps, you can easily determine the number of circuits required to ensure safe use of your electrical system.

1. Determining the Number of Amperes Required
2. Calculating the Total Amperes
3. Determining How Many Circuits You Need

### STEP 1: Determining the Number of Amperes Required

#### What is Amperage

An Ampere (Amp or A) is a unit for measuring the rate at which electric current flows. All electrical equipment has an amperage rate. By following these few simple steps, you can easily determine the number of circuits required to ensure safe use of your electrical equipment.

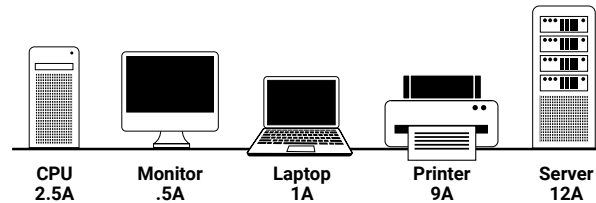
#### Determine the Number of Amperes Required

On your computer or other electric devices (ie: monitor, central processing unit, printer) find the plate that provides the technical specifications as follows:

Input: 120V - 1.8A.

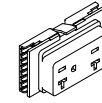
If you cannot locate this information on the machine, you will probably find it in the user manual.

Here are a few examples of how many Amps some equipment may consume. Please note that these are examples and the number of amperes may vary from one machine to another.



### Electrical System Capacity

Our electrical system is designed for circuits of 20 amps each. This includes electrical components such as computers, printers, laptops, monitors, server or other devices.

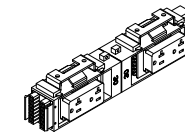


20A

A single Duplex has a maximum capacity of 20 A



Each power block can hold 2 Duplex



Each power block can hold 4 Duplex



If the duplexes are connected to the same circuit, the capacity is divided between them. For example, 3 duplexes connected to the same circuit have a total capacity of 20A.

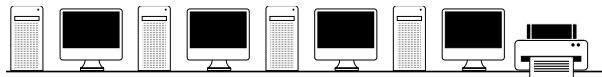
# Introduction

## Appendix I: Calculation/Use of Electrical Components

### STEP 2: Calculating the Total Amperes

#### Add the Amperes

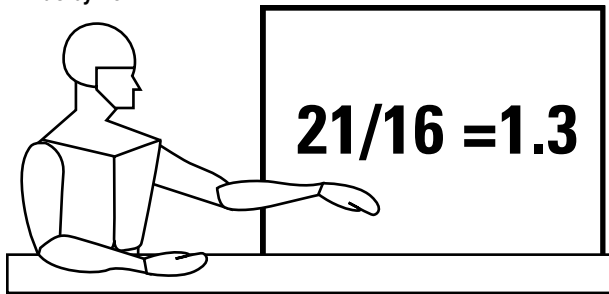
Add the number of amps for each machine. In our example, there are 4 CPUs at 2.5A per computer, 4 monitors at 0.5A and one printer at 9A.



$$2.5A + .5A + 2.5A + .5A + 2.5A + .5A + 2.5A + .5A + 9A = 21A$$

The total number of amperes used in this example equals to 21A.

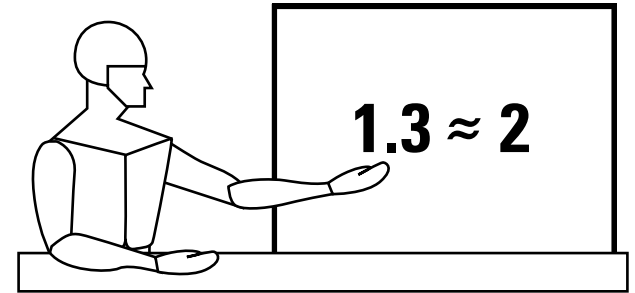
#### Divide by 16



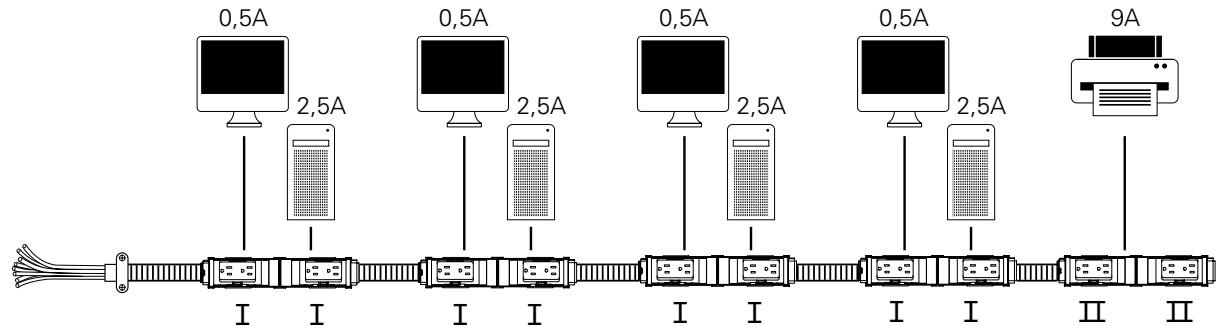
Most machines and computers used in offices or schools are used continuously for many hours at a time. In this type of situation, national electrical codes usually limit circuits at 80% of their capacity of continuous use. Our electrical system is designed for circuits of 20 amps each. So 80% of 20A is 16 Amps. You must therefore divide the total number of amperes calculated by 16.

### STEP 3: Determining How Many Circuits You Need

In most cases, this number will contain decimals. Round up to the next whole number, and this will be the number of circuits required for your equipment to run safely. If the number obtained is higher than 4 (the maximum number of circuits for a system), you must reduce the total amperage or add another electrical system. Continuing with our example, the 1.3A is rounded up to 2A.



Here is one possible configuration. Using 5 power blocks joined together with junction cables, only 2 circuits are being used. The 4 workstations would be on the first circuit for a total of 16 amps. The printer would be on the second circuit.



#### CHICAGO CODE

There is a specific norm about Chicago electrical components. Some of our products are approved, but not all of them.



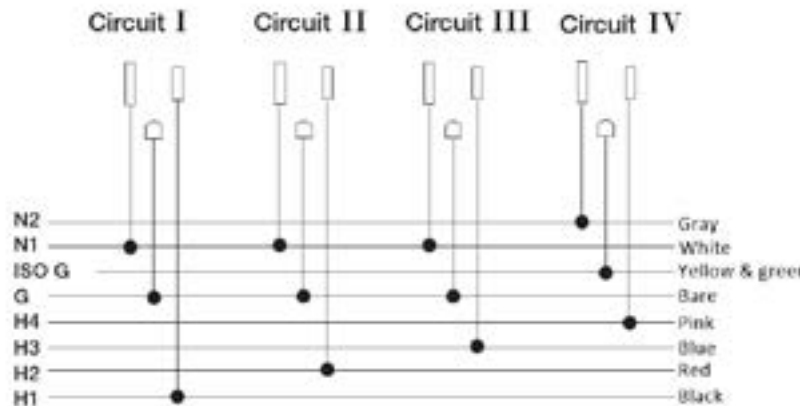
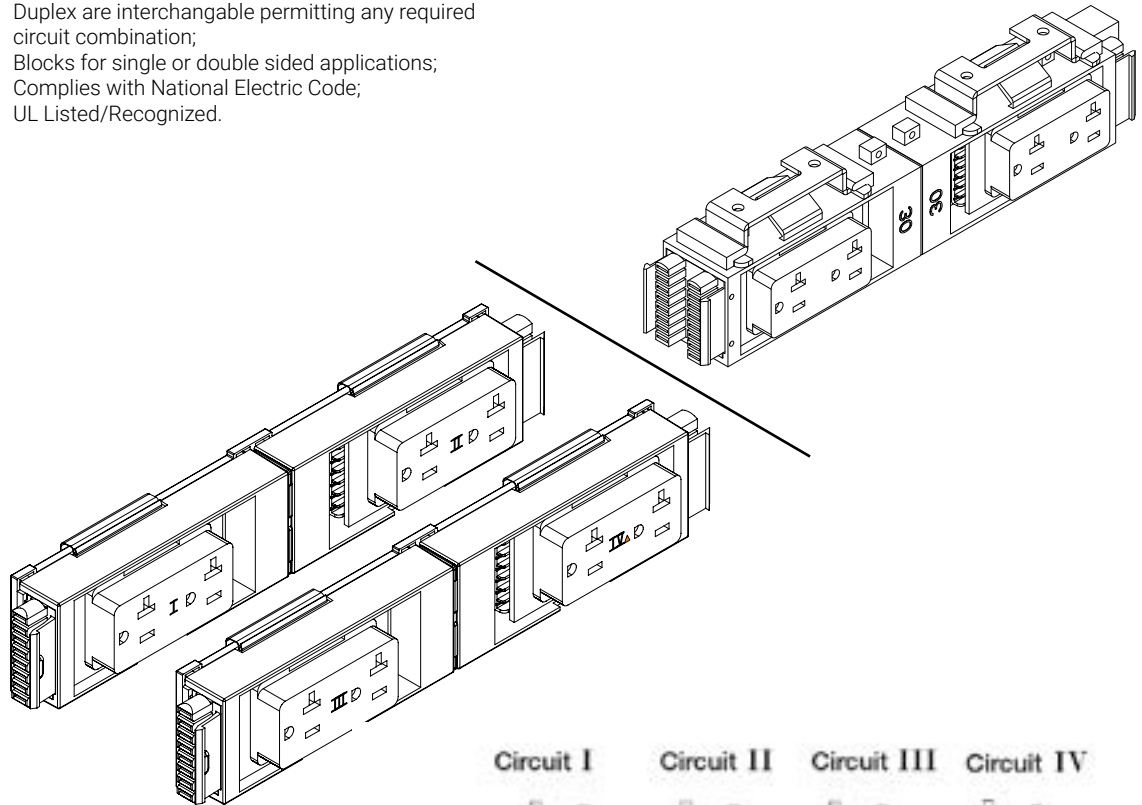
If you see this logo in [Accessories](#), this means the product is **NOT** approved in Chicago. More info [here](#).



## Appendix I: Calculation/Use of Electrical Components

### 8 Wire, 4 Circuit (3+1) Power Block

- Duplex are interchangeable permitting any required circuit combination;
- Blocks for single or double sided applications;
- Complies with National Electric Code;
- UL Listed/Recognized.



### Starter Cable with Hardwire



- 4 circuit starter cable with hardwire at one end;
- 4 circuits rated for 20 AMP each;
- Available in lengths from 12" to 180";
- Whip end to be connected to building power by an electrician.

### Starter Cable with Plug



- 1 circuit starter cable with 20A electrical plug;
- Circuit rated for 20 AMP;
- Available in lengths from 36" to 180".

### Junction Cable



- 4 circuit cord;
- All circuits rated for 20 AMP;
- Available in lengths from 12" to 216".

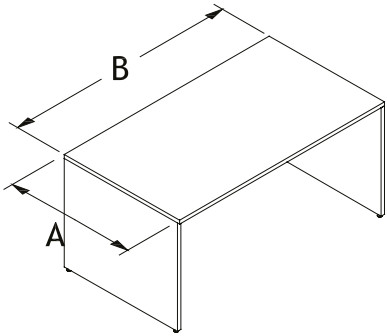




# Desks

## Shells (Empty Desks)

BV



### Manufacturing Standards

- Delivered disassembled;
- Modesty;
- Height: 29".

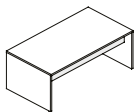
#### Recessed Modesty:

4-5/8" modesty recess for 30" desks  
6" modesty recess for 36" desks

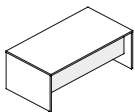
If choice of modesty is not specified, the standard (FM) will be used, PM and SM modesties are available at no extra charge.

### Options

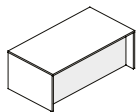
#### Modesty



10" high  
PM  
\$0

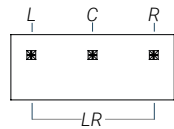


18-1/2" high  
SM  
\$0



Full height  
FM  
\$0

#### Grommet Position



#### Grommet Style



\$0      \$26 ea.

### Prices

| Dimensions |     |      |
|------------|-----|------|
| A B        | ML  | MLL  |
| 3048       | 725 | 949  |
| 3060       | 785 | 1038 |
| 3066       | 832 | 1127 |
| 3072       | 874 | 1183 |
|            |     |      |
| 3660       | 891 | 1151 |
| 3666       | 910 | 1227 |
| 3672       | 941 | 1303 |

### How to Order

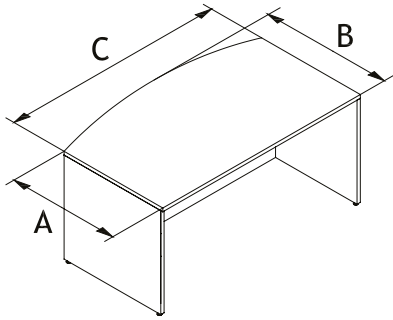
| ML<br>MLL | AB         | PM<br>SM<br>FM (std) | GRL<br>GRR<br>GLR<br>GRC | CAPF<br>CBPF<br>CCPF<br>ELPF (std) |
|-----------|------------|----------------------|--------------------------|------------------------------------|
| series    | dimensions | modesty              | grommet position         | grommet style                      |

**Example** ML 3060 FM GRC ELPF

# Desks

## Desk with Convex Front

BCX



### Manufacturing Standards

- Modesty;
- Height: 29".

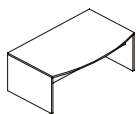
#### Recessed Modesty:

Flush modesty for 24" desks  
 4-5/8" modesty recess for 30" desks  
 6" modesty recess for 36" desks

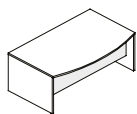
If choice of modesty is not specified, the standard (FM) will be used, PM and SM modesties are available at no extra charge.

### Options

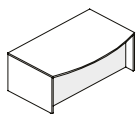
#### Modesty Styles



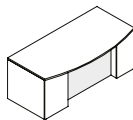
10" high  
**PM**  
 \$0



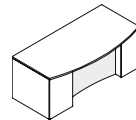
18-1/2" high  
**SM**  
 \$0



Full height  
**FM**  
 \$0

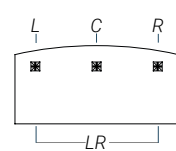


Minister Front  
**MID**  
 \$95



Curved Minister  
**MIDC**  
 \$190

#### Grommet Position



#### Grommet Style



\$0      \$26 ea.

### Prices

| Dimensions |   |   |      |      |
|------------|---|---|------|------|
| A          | B | C | ML   | MLL  |
| 243060     |   |   | 919  | 1132 |
| 243066     |   |   | 949  | 1175 |
| 243072     |   |   | 978  | 1234 |
|            |   |   |      |      |
| 303660     |   |   | 969  | 1225 |
| 303666     |   |   | 1015 | 1313 |
| 303672     |   |   | 1057 | 1367 |
|            |   |   |      |      |
| 364260     |   |   | 1076 | 1336 |
| 364266     |   |   | 1094 | 1410 |
| 364272     |   |   | 1126 | 1497 |

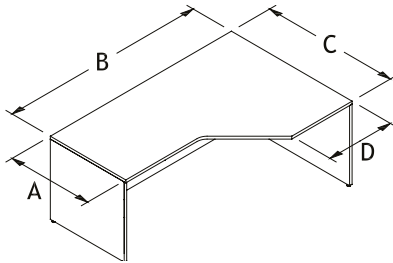
### How to Order

| ML<br>MLL         | ABC        | CX        | MIDC<br>MID<br>PM<br>SM<br><b>FM (std)</b> | GRL<br>GRR<br>GLR<br>GRC | CAPF<br>CBPF<br>CCPF<br><b>ELPF (std)</b> |
|-------------------|------------|-----------|--|--------------------------|---|
| série             | dimensions | code      | modestie                                   | position<br>passe-fils   | passe-fils                                |
| <b>Exemple</b> ML | 243060     | <b>CX</b> | FM   | GRC                      | ELPF                                      |

# Desks

## Extended Desks with Straight Cut

### BLBL



### Manufacturing Standards

- PVC extrusion for lateral opening of drawers;
- Modesty;
- Height: 29".

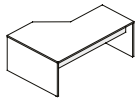
#### Recessed Modesty:

4-5/8" modesty recess for 30" desks  
6" modesty recess for 36" desks

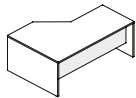
If choice of modesty is not specified, the standard (FM) will be used, PM and SM modesties are available at no extra charge.

### Options

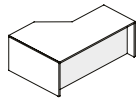
#### Modesty Styles



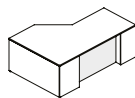
10" high  
PM  
\$0



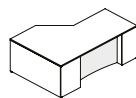
18-1/2" high  
SM  
\$0



Full height  
FM  
\$0

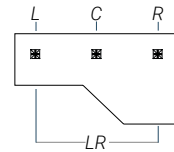


Minister Front  
MID  
\$95



Curved Minister  
MIDC  
\$190

#### Grommet Position



#### Grommet Style



\$0



\$26 ea.

### Prices

#### Dimensions

| A    | B    | C | D | ML   | MLL  |
|------|------|---|---|------|------|
| 3066 | 4820 |   |   | 1525 | 2180 |
| 3072 | 4820 |   |   | 1603 | 2295 |
| 3078 | 4820 |   |   | 1682 | 2410 |
| 3084 | 4820 |   |   | 1761 | 2562 |

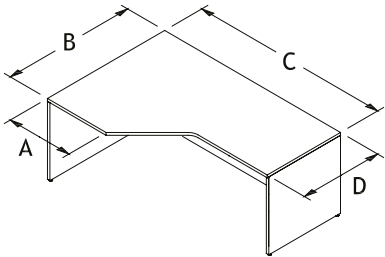
### How to Order

| ML<br>MLL  | ABCD       | LB   | MIDC<br>MID<br>PM<br>SM<br>FM (std) | GRL<br>GRR<br>GLR<br>GRC | CAPF<br>CBPF<br>CCPF<br>ELPF (std) |
|------------|------------|------|-------------------------------------|--------------------------|------------------------------------|
| series     | dimensions | code | modesty                             | grommet position         | grommet style                      |
| Example ML | 30664820   | LB   | FM                                  | GRR                      | ELPF                               |

# Desks

## Extended Desks with Straight Cut

### BLBR



### Manufacturing Standards

- PVC extrusion for lateral opening of drawers;
- Modesty;
- Height: 29".

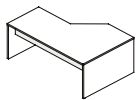
#### Recessed Modesty:

4-5/8" modesty recess for 30" desks  
6" modesty recess for 36" desks

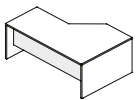
If choice of modesty is not specified, the standard (FM) will be used, PM and SM modesties are available at no extra charge.

### Options

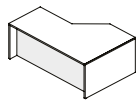
#### Modesty Styles



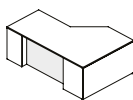
10" high  
PM  
\$0



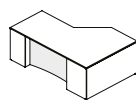
18-1/2" high  
SM  
\$0



Full height  
FM  
\$0

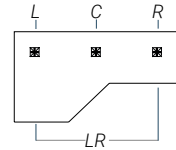


Minister Front  
MID  
\$95



Curved Minister  
MIDC  
\$190

#### Grommet Position



#### Grommet Style



\$0



\$26 ea.

### How to Order

| ML<br>MLL  | ABCD       | LB   | MIDC<br>MID<br>PM<br>SM<br>FM (std) | GRL<br>GRR<br>GLR<br>GRC | CAPF<br>CBPF<br>CCPF<br>ELPF (std) |
|------------|------------|------|-------------------------------------|--------------------------|------------------------------------|
| series     | dimensions | code | modesty                             | grommet position         | grommet style                      |
| Example ML | 20486630   | LB   | FM                                  | GRL                      | ELPF                               |

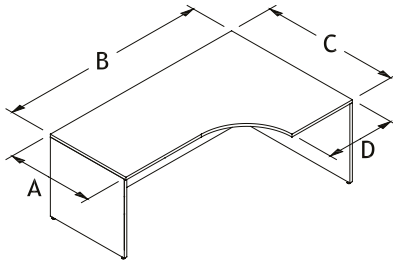
### Prices

| Dimensions |      |      |
|------------|------|------|
| A          | B    | C D  |
| 20486630   | 1525 | 2180 |
| 20487230   | 1603 | 2295 |
| 20487830   | 1682 | 2410 |
| 20488430   | 1761 | 2562 |

# Desks

## Extended Desks with Rounded Cut

### BRBL



### Manufacturing Standards

- PVC extrusion for lateral opening of drawers;
- Modesty;
- Height: 29".

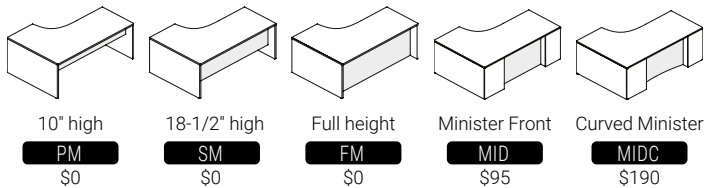
### Recessed Modesty:

4-5/8" modesty recess for 30" desks  
6" modesty recess for 36" desks

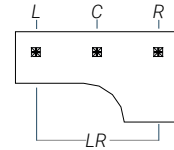
If choice of modesty is not specified, the standard (FM) will be used, PM and SM modesties are available at no extra charge.

### Options

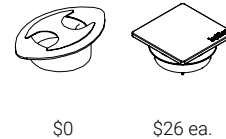
#### Modesty Styles



#### Grommet Position



#### Grommet Style



### Prices

| Dimensions |    |    |    |      |      |
|------------|----|----|----|------|------|
| A          | B  | C  | D  | ML   | MLL  |
| 3066       | 48 | 20 | 20 | 1525 | 2180 |
| 3072       | 48 | 20 | 20 | 1603 | 2295 |
| 3078       | 48 | 20 | 20 | 1682 | 2410 |
| 3084       | 48 | 20 | 20 | 1761 | 2562 |

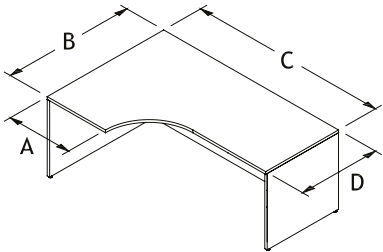
### How to Order

| ML         | ABCD       |      | MIDC<br>MID<br>PM<br>SM<br>FM (std) | GRL<br>GRR<br>GLR<br>GRC | CAPF<br>CBPF<br>CCPF<br>ELPF (std) |
|------------|------------|------|-------------------------------------|--------------------------|------------------------------------|
| MLL        |            | RB   |                                     |                          |                                    |
| series     | dimensions | code | modesty                             | grommet position         | grommet style                      |
| Example ML | 30664820   | RB   | FM                                  | GRR                      | ELPF                               |

# Desks

## Extended Desks with Rounded Cut

BRBR



### Manufacturing Standards

- PVC extrusion for lateral opening of drawers;
- Modesty;
- Height: 29".

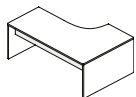
### Recessed Modesty:

4-5/8" modesty recess for 30" desks  
6" modesty recess for 36" desks

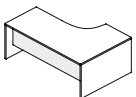
If choice of modesty is not specified, the standard (FM) will be used, PM and SM modesties are available at no extra charge.

### Options

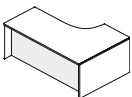
#### Modesty Styles



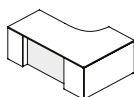
10" high  
PM  
\$0



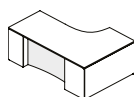
18-1/2" high  
SM  
\$0



Full height  
FM  
\$0

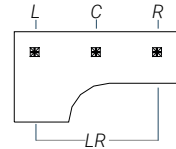


Minister Front  
MID  
\$95



Curved Minister  
MIDC  
\$190

#### Grommet Position



#### Grommet Style



\$0



\$26 ea.

### How to Order

| ML<br>MLL  | ABCD       | RB   | MIDC<br>MID<br>PM<br>SM<br>FM (std) | GRL<br>GRR<br>GLR<br>GRC | CAPF<br>CBPF<br>CCPF<br>ELPF (std) |
|------------|------------|------|-------------------------------------|--------------------------|------------------------------------|
| series     | dimensions | code | modesty                             | grommet position         | grommet style                      |
| Example ML | 20486630   | RB   | FM                                  | GRL                      | ELPF                               |

### Prices

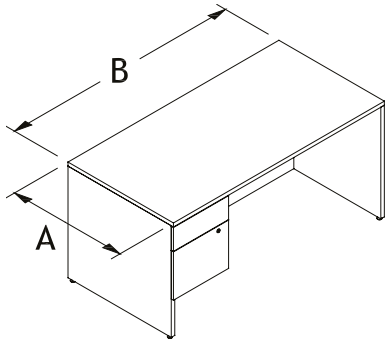
| Dimensions |      |      |
|------------|------|------|
| A          | B    | C D  |
| 20486630   | 1525 | 2180 |
| 20487230   | 1603 | 2295 |
| 20487830   | 1682 | 2410 |
| 20488430   | 1761 | 2562 |

# Desks

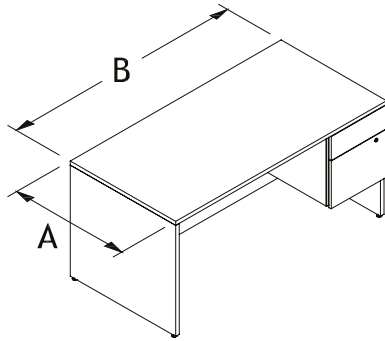


## Desks with D Pedestal

BDL



BDR



### Manufacturing Standards

- One utility drawer and one file drawer on left or right;
- PVC extrusion for lateral opening of drawers;
- Lock;
- Modesty;
- Height: 29".

#### Recessed Modesty:

4-5/8" modesty recess for 30" desks

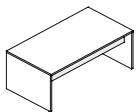
6" modesty recess for 36" desks

If choice of modesty is not specified, the standard (FM) will be used, PM and SM modesties are available at no extra charge.

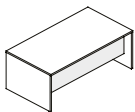
**Handles:** To add handles, please choose from the Logiflex list. Add \$14 retail each.

### Options

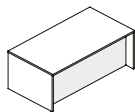
#### Modesty



10" high  
PM  
\$0

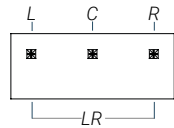


18-1/2" high  
SM  
\$0



Full height  
FM  
\$0

#### Grommet Position



#### Grommet Style



\$0



\$26 ea.

### Prices

| Dimensions |      |      |
|------------|------|------|
| A B        | ML   | MLL  |
| 3048       | 1109 | 1491 |
| 3060       | 1187 | 1613 |
| 3066       | 1238 | 1691 |
| 3072       | 1323 | 1746 |
|            |      |      |
| 3648       | 1216 | 1561 |
| 3660       | 1293 | 1714 |
| 3666       | 1364 | 1792 |
| 3672       | 1441 | 1873 |

### How to Order

| ML<br>MLL  | D                      | AB         | D                       | PM<br>SM<br>FM (std) | GRL<br>GRR<br>GLR<br>GRC | CAPF<br>CBPF<br>CCPF<br>ELPF (std) | +                   |
|------------|------------------------|------------|-------------------------|----------------------|--------------------------|------------------------------------|---------------------|
| series     | if pedestal<br>on left | dimensions | if pedestal<br>on right | modesty              | grommet<br>position      | grommet<br>style                   | handles<br>(p. 162) |
| Example ML | D                      | 3060       |                         | FM                   | GRC                      | ELPF                               |                     |

**High Gloss Front:** Please request a quotation to obtain a price.

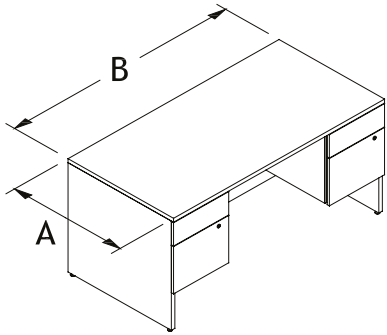


# Desks



## Desks with D Pedestal on Left and Right

### BDD



### Manufacturing Standards

- One utility drawer and one file drawer on left and right;
- PVC extrusion for lateral opening of drawers;
- Locks;
- Modesty;
- Height: 29".

#### Recessed Modesty:

4-5/8" modesty recess for 30" desks

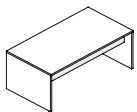
6" modesty recess for 36" desks

If choice of modesty is not specified, the standard (FM) will be used, PM and SM modesties are available at no extra charge.

**Handles:** To add handles, please choose from the Logiflex list. Add \$14 retail each.

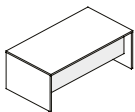
### Options

#### Modesty



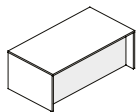
10" high

PM  
\$0



18-1/2" high

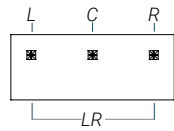
SM  
\$0



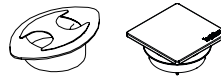
Full height

FM  
\$0

#### Grommet Position



#### Grommet Style



\$0

\$26 ea.

### Prices

| Dimensions |      |      |
|------------|------|------|
| A          | B    | MLL  |
| 3060       | 1364 | 1895 |
| 3066       | 1410 | 1987 |
| 3072       | 1513 | 2065 |

|      |      |      |
|------|------|------|
| 3660 | 1473 | 1952 |
| 3666 | 1487 | 2052 |
| 3672 | 1616 | 2151 |

### How to Order

| ML<br>MLL  | AB                 |                     | PM<br>SM<br>FM (std) | GRL<br>GRR<br>GLR<br>GRC | CAPF<br>CBPF<br>CCPF<br>ELPF (std) | +                |
|------------|--------------------|---------------------|----------------------|--------------------------|------------------------------------|------------------|
| series     | D<br>left pedestal | D<br>right pedestal | modesty              | grommet position         | grommet style                      | handles (p. 162) |
| Example ML | D                  | D                   | 3060 FM              | GRC                      | ELPF                               |                  |

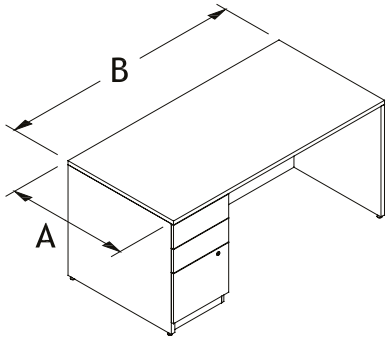
**High Gloss Front:** Please request a quotation to obtain a price.

# Desks

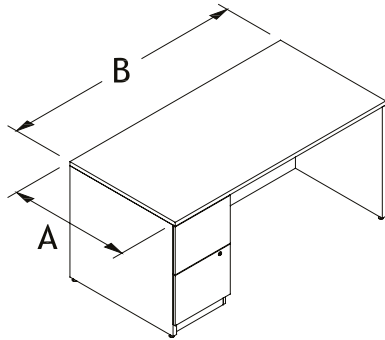


## Desks with E or F Pedestal on Left

**BEL**



**BFL**



### Manufacturing Standards

- E = 2 utility drawers and 1 file drawer;
- F = 2 file drawers;
- PVC extrusion for lateral opening of draw;
- Lock;
- Modesty;
- Height: 29".

#### Recessed Modesty:

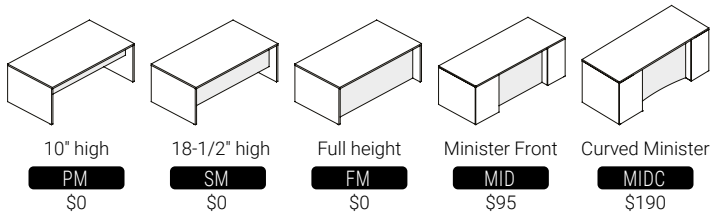
4-5/8" modesty recess for 30" desks  
6" modesty recess for 36" desks

If choice of modesty is not specified, the standard (FM) will be used, PM and SM modesties are available at no extra charge.

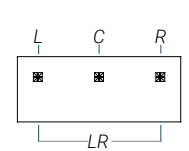
**Handles:** To add handles, please choose from the Logiflex list. Add \$14 retail each.

### Options

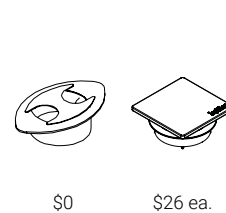
#### Modesty Styles



#### Grommet Position



#### Grommet Style



### Prices

| Dimensions |   |      |      |
|------------|---|------|------|
| A          | B | ML   | MLL  |
| 3060       |   | 1380 | 1801 |
| 3066       |   | 1435 | 1877 |
| 3072       |   | 1518 | 1935 |
| 3084       |   | 1861 | 2023 |
|            |   |      |      |
| 3660       |   | 1487 | 1902 |
| 3666       |   | 1558 | 1978 |
| 3672       |   | 1637 | 2057 |
| 3684       |   | 1890 | 2206 |

### How to Order

| ML<br>MLL         | E<br>F   | AB         | MIDC<br>MID<br>PM<br>SM<br>FM (std) | GRL<br>GRR<br>GLR<br>GRC | CAPF<br>CBPF<br>CCPF<br>ELPF (std) | handles<br>(p. 162) |
|-------------------|----------|------------|-------------------------------------|--------------------------|------------------------------------|---------------------|
| series            | pedestal | dimensions | modesty                             | grommet position         | grommet style                      |                     |
| <b>Example</b> ML | E        | 3060       | FM                                  | GRC                      | ELPF                               |                     |

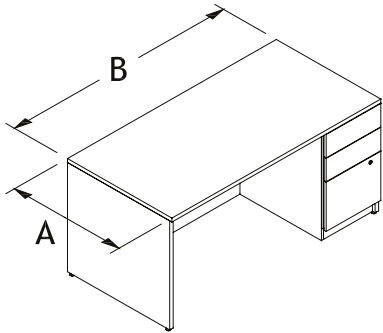
**High Gloss Front:** Please request a quotation to obtain a price.

# Desks

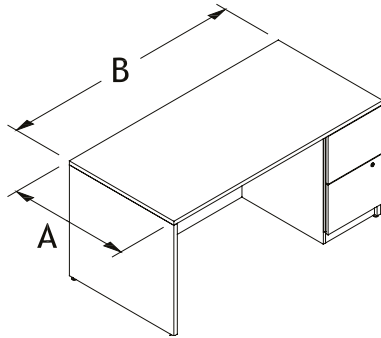


## Desks with E or F Pedestal on Right

BER



BFR



### Manufacturing Standards

- E = 2 utility drawers and 1 file drawer;
- F = 2 file drawers;
- PVC extrusion for lateral opening of drawers;
- Lock;
- Modesty;
- Height: 29".

#### Recessed Modesty:

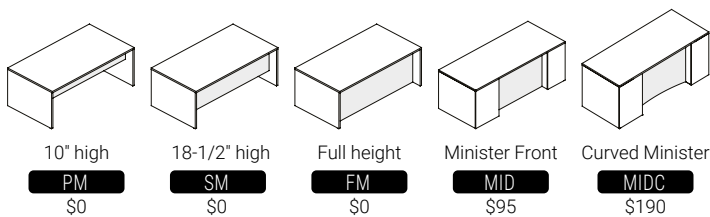
4-5/8" modesty recess for 30" desks  
6" modesty recess for 36" desks

If choice of modesty is not specified, the standard (FM) will be used, PM and SM modesties are available at no extra charge.

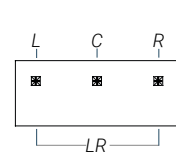
**Handles:** To add handles, please choose from the Logiflex list. Add \$14 retail each.

### Options

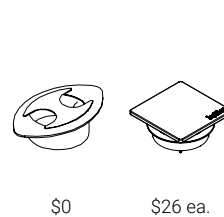
#### Modesty Styles



#### Grommet Position



#### Grommet Style



### Prices

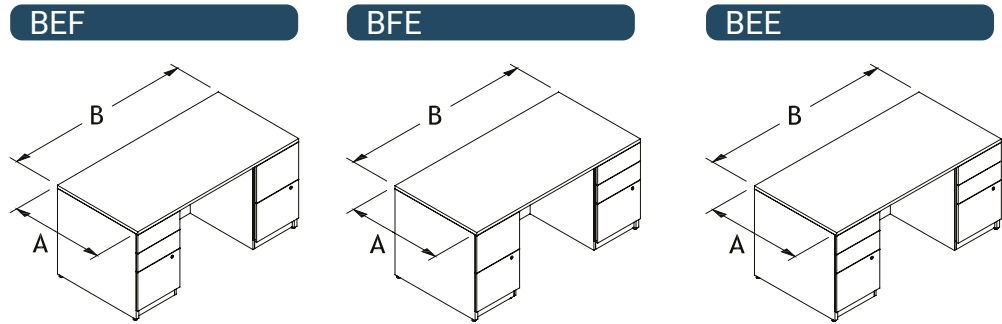
| Dimensions |   |      |      |
|------------|---|------|------|
| A          | B | ML   | MLL  |
| 3060       |   | 1380 | 1801 |
| 3066       |   | 1435 | 1877 |
| 3072       |   | 1518 | 1935 |
| 3084       |   | 1861 | 2023 |
| <hr/>      |   |      |      |
| 3660       |   | 1487 | 1902 |
| 3666       |   | 1558 | 1978 |
| 3672       |   | 1637 | 2057 |
| 3684       |   | 1890 | 2206 |

### How to Order

| ML<br>MLL  | AB         | E<br>F   | MIDC<br>MID<br>PM<br>SM<br>FM (std) | GRL<br>GRR<br>GLR<br>GRC | CAPF<br>CBPF<br>CCPF<br>ELPF (std) | handles<br>(p. 162) |
|------------|------------|----------|-------------------------------------|--------------------------|------------------------------------|---------------------|
| series     | dimensions | pedestal | modesty                             | grommet position         | grommet style                      |                     |
| Example ML | 3060       | E        | FM                                  | GRC                      | ELPF                               |                     |

# Desks

## Desks with E or F Pedestal on Left and Right



### Manufacturing Standards

- E = 2 utility drawers and 1 file drawer;
- F = 2 file drawers;
- PVC extrusion for lateral opening of drawers;
- Locks;
- Modesty;
- Height: 29".

#### Recessed Modesty:

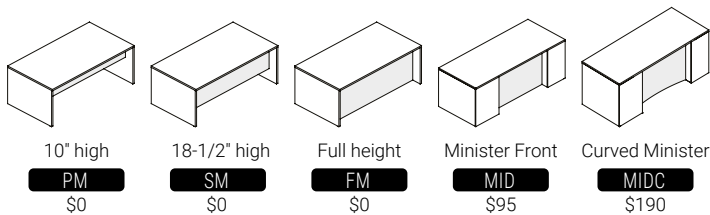
4-5/8" modesty recess for 30" desks  
6" modesty recess for 36" desks

If choice of modesty is not specified, the standard (FM) will be used, PM and SM modesties are available at no extra charge.

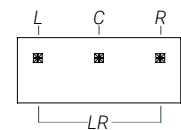
**Handles:** To add handles, please choose from the Logiflex list. Add \$14 retail each.

### Options

#### Modesty Styles



#### Grommet Position



#### Grommet Style



\$0      \$26 ea.

### Prices

| Dimensions |   |      |      |
|------------|---|------|------|
| A          | B | ML   | MLL  |
| 3060       |   | 1751 | 2550 |
| 3066       |   | 1804 | 2630 |
| 3072       |   | 1820 | 2682 |
| 3084       |   | 2019 | 2773 |
|            |   |      |      |
| 3660       |   | 1831 | 2649 |
| 3666       |   | 1882 | 2729 |
| 3672       |   | 2007 | 2806 |
| 3684       |   | 2203 | 2959 |

### How to Order

| ML<br>MLL         | E<br>F        | AB         | E<br>F         | MIDC<br>MID<br>PM<br>SM<br><b>FM (std)</b> | GRL<br>GRR<br>GLR<br>GRC | CAPF<br>CBPF<br>CCPF<br><b>ELPF (std)</b> | +                |
|-------------------|---------------|------------|----------------|--|--------------------------|---|------------------|
| series            | left pedestal | dimensions | right pedestal | modesty                                    | grommet position         | grommet style                             | handles (p. 162) |
| <b>Example</b> ML | E             | 3060       | E              | FM   | GRC                      | ELPF                                      |                  |

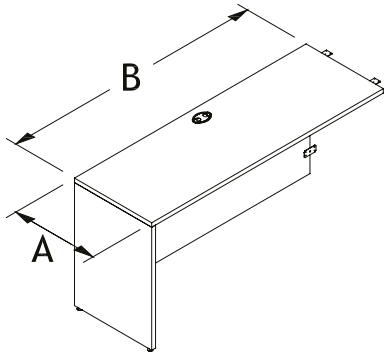
**High Gloss Front:** Please request a quotation to obtain a price.



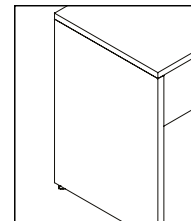
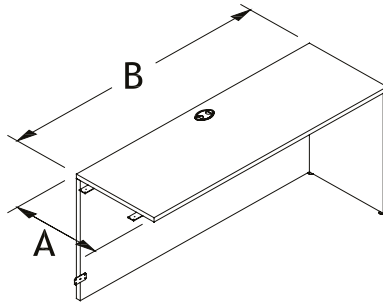
# Returns

## Empty Returns

RVL



RVR



Modesty edge is not visible on the side of the return

### Manufacturing Standards

- Delivered disassembled;
- Centered ELPF grommet;
- Flush plates;
- Flush modesty;
- Height: 29".

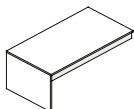
Not compatible with lateral tables due to differences in the direction of the wood grain as well as the thickness of the modesty panel.

**Modesty:** If choice of modesty is not specified, the standard (FM) will be used, PM and SM modesties are available at no extra charge.

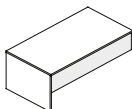
**Grommet:** If the grommet position is not specified, the standard is centered (GRC).

### Options

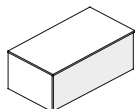
#### Modesty



10" high  
PM  
\$0

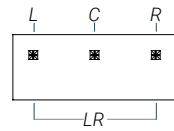


18-1/2" high  
SM  
\$0

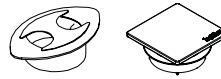


Full height  
FM  
\$0

#### Grommet Position



#### Grommet Style



\$0      \$26 ea.

### Prices

| Dimensions |     |     |
|------------|-----|-----|
| A B        | ML  | MLL |
| 2030       | 495 | 589 |
| 2036       | 520 | 620 |
| 2042       | 541 | 667 |
| 2048       | 569 | 705 |
| 2054       | 611 | 756 |
| 2060       | 647 | 817 |

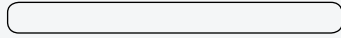
|      |     |     |
|------|-----|-----|
| 2430 | 532 | 639 |
| 2436 | 559 | 679 |
| 2442 | 579 | 717 |
| 2448 | 611 | 765 |
| 2454 | 647 | 818 |
| 2460 | 687 | 881 |

### How to Order

| ML<br>MLL | AB         | L<br>R | 29     | PM<br>SM<br>FM (std) | NGR<br>GRL<br>GRR<br>GLR<br>GRC (std) | CAPF<br>CBPF<br>CCPF<br>ELPF (std) |
|-----------|------------|--------|--------|----------------------|---------------------------------------|------------------------------------|
| series    | dimensions | code   | height | modesty              | grommet position                      | grommet style                      |

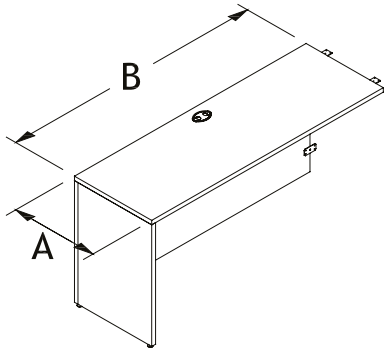
**Example** ML 2060 L 29 FM GRC ELPF

# Returns

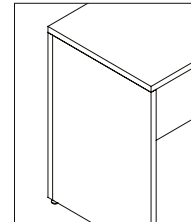
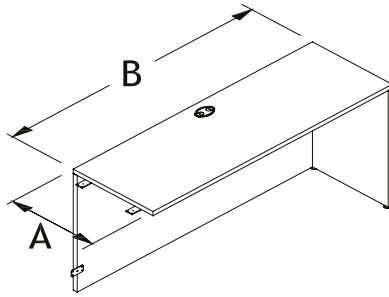


## Reversible Empty Returns

REVL



REVR



Modesty edge is visible on the side of the return

**Manufacturing Standards**

- Delivered disassembled;
- Centered ELPF grommet;
- Flush plates;
- Flush modesty;
- Height: 29".

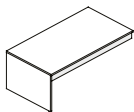
*Not compatible with lateral tables due to differences in the direction of the wood grain as well as the thickness of the modesty panel.*

**Modesty:** If choice of modesty is not specified, the standard (FM) will be used, PM and SM modesties are available at no extra charge.

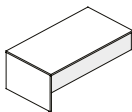
**Grommet:** If the grommet position is not specified, the standard is centered (GRC).

### Options

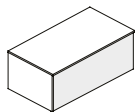
#### Modesty



10" high  
PM  
\$0

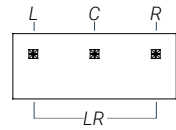


18-1/2" high  
SM  
\$0

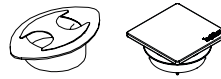


Full height  
FM  
\$0

#### Grommet Position



#### Grommet Style



\$0      \$26 ea.

### How to Order

| ML<br>MLL  | AB         | L<br>R | 29     | REV  | PM<br>SM<br>FM (std) | NGR<br>GRL<br>GRR<br>GLR<br>GRC (std) | CAPF<br>CBPF<br>CCPF<br>ELPF (std) |
|------------|------------|--------|--------|------|----------------------|---------------------------------------|------------------------------------|
| series     | dimensions | code   | height | code | modesty              | grommet position                      | grommet style                      |
| Example ML | 2060       | L      | 29     | REV  | FM                   | GRC                                   | ELPF                               |

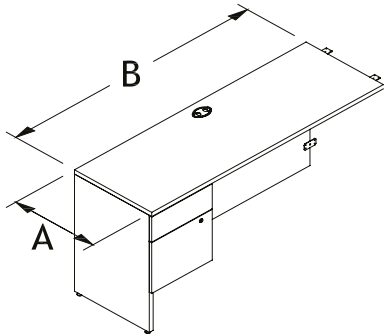
**Prices**

| Dimensions |     |     |
|------------|-----|-----|
| A B        | ML  | MLL |
| 2030       | 495 | 589 |
| 2036       | 520 | 620 |
| 2042       | 541 | 667 |
| 2048       | 569 | 705 |
| 2054       | 611 | 756 |
| 2060       | 647 | 817 |
|            |     |     |
| 2430       | 532 | 639 |
| 2436       | 559 | 679 |
| 2442       | 579 | 717 |
| 2448       | 611 | 765 |
| 2454       | 647 | 818 |
| 2460       | 687 | 881 |

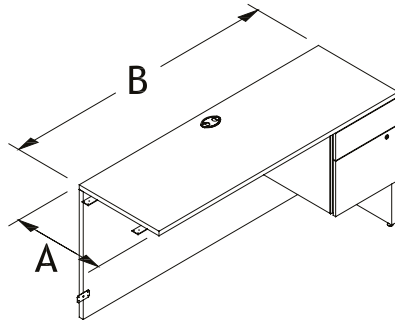
# Returns

## Returns with D Pedestal

RDL



RDR



### Manufacturing Standards

- One utility drawer; • Lock;
- file drawer; • Flush modesty;
- Centered ELPF grommet; • Height: 29".
- Flush plates;
- PVC extrusion for lateral opening of drawers;

Not compatible with lateral tables due to differences in the direction of the wood grain as well as the thickness of the modesty panel.

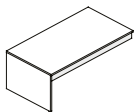
**Modesty:** If choice of modesty is not specified, the standard (FM) will be used, PM and SM modesties are available at no extra charge.

**Grommet:** If the grommet position is not specified, the standard is centered (GRC).

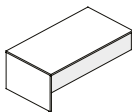
**Handles:** To add handles, please choose from the Logiflex list. Add \$14 retail each.

### Options

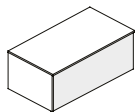
#### Modesty



10" high  
PM  
\$0

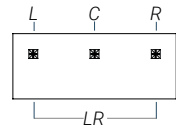


18-1/2" high  
SM  
\$0



Full height  
FM  
\$0

#### Grommet Position



#### Grommet Style



\$0      \$26 ea.

### Prices

| Dimensions |      |      |
|------------|------|------|
| A B        | ML   | MLL  |
| 2030       | 864  | 1071 |
| 2036       | 882  | 1110 |
| 2042       | 900  | 1150 |
| 2048       | 950  | 1195 |
| 2054       | 990  | 1239 |
| 2060       | 1029 | 1278 |

|      |      |      |
|------|------|------|
| 2430 | 911  | 1096 |
| 2436 | 932  | 1132 |
| 2442 | 950  | 1171 |
| 2448 | 990  | 1210 |
| 2454 | 1029 | 1257 |
| 2460 | 1066 | 1297 |

### How to Order

| ML<br>MLL      | D                   | AB         | L<br>R | D      | PM<br>SM<br>FM (std) | NGR<br>GRL<br>GRR<br>GLR<br>GRC (std) | CAPF<br>CBPF<br>CCPF<br>ELPF (std) |               |                  |
|----------------|---------------------|------------|--------|--------|----------------------|---------------------------------------|------------------------------------|---------------|------------------|
|                |                     |            |        | 29     |                      |                                       |                                    |               |                  |
| series         | if pedestal on left | dimensions | code   | height | if pedestal on right | modesty                               | grommet position                   | grommet style | handles (p. 162) |
| <b>Example</b> | ML                  | D          | 2060   | L      | 29                   | FM                                    | GRC                                | ELPF          |                  |

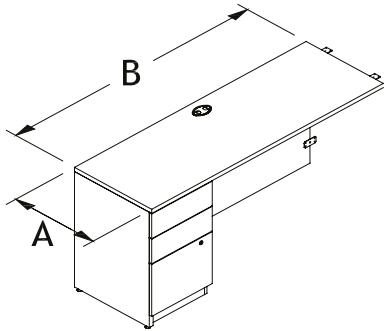
**High Gloss Front:** Please request a quotation to obtain a price.



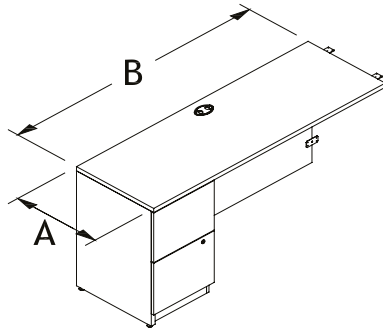
# Returns

## Returns with E or F Pedestal on Left

REL



RFL



### Manufacturing Standards

- E = 2 utility drawers and 1 file drawer;
- F = 2 file drawers;
- Centered ELPF grommet;
- Flush plates;
- PVC extrusion for lateral opening of drawers;
- Lock;
- Flush modesty;
- Height: 29".

Not compatible with lateral tables due to differences in the direction of the wood grain as well as the thickness of the modesty panel.

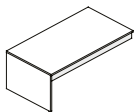
**Modesty:** If choice of modesty is not specified, the standard (FM) will be used, PM and SM modesties are available at no extra charge.

**Grommet:** If the grommet position is not specified, the standard is centered (GRC).

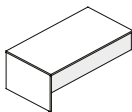
**Handles:** To add handles, please choose from the Logiflex list. Add \$14 retail each.

### Options

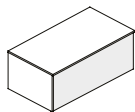
#### Modesty



10" high  
PM  
\$0

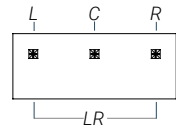


18-1/2" high  
SM  
\$0

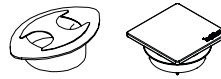


Full height  
FM  
\$0

#### Grommet Position



#### Grommet Style



\$0      \$26 ea.

### Prices

| Dimensions |      |      |
|------------|------|------|
| A          | B    | MLL  |
| 2030       | 1058 | 1253 |
| 2036       | 1078 | 1297 |
| 2042       | 1096 | 1332 |
| 2048       | 1146 | 1382 |
| 2054       | 1187 | 1423 |
| 2060       | 1225 | 1457 |

|      |      |      |
|------|------|------|
| 2430 | 1109 | 1316 |
| 2436 | 1127 | 1352 |
| 2442 | 1146 | 1391 |
| 2448 | 1187 | 1435 |
| 2454 | 1225 | 1482 |
| 2460 | 1264 | 1520 |

### How to Order

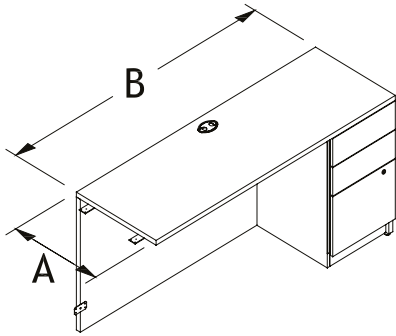
| ML<br>MLL      | E<br>F   | AB         | L    | 29     | PM<br>SM<br>FM (std) | NGR<br>GRL<br>GRR<br>GLR<br>GRC (std) | CAPF<br>CBPF<br>CCPF<br>ELPF (std) | handles<br>(p. 162) |
|----------------|----------|------------|------|--------|----------------------|---------------------------------------|------------------------------------|---------------------|
| series         | pedestal | dimensions | code | height | modesty              | grommet position                      | grommet style                      |                     |
| <b>Example</b> | ML       | E          | 2060 | L      | 29                   | FM                                    | GRC                                | ELPF                |

**High Gloss Front:** Please request a quotation to obtain a price.

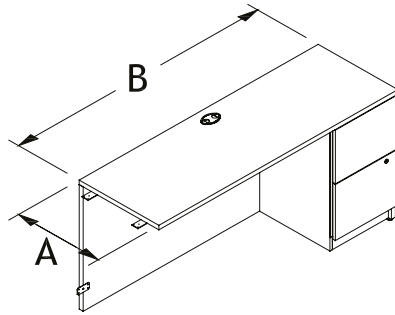
# Returns

## Returns with E or F Pedestal on Right

RER



RFR



### Manufacturing Standards

- E = 2 utility drawers and 1 file drawer;
- F = 2 file drawers;
- Centered ELPF grommet;
- Flush plates;
- PVC extrusion for lateral opening of drawers;
- Lock;
- Flush modesty;
- Height: 29".

Not compatible with lateral tables due to differences in the direction of the wood grain as well as the thickness of the modesty panel.

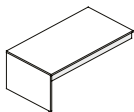
**Modesty:** If choice of modesty is not specified, the standard (FM) will be used, PM and SM modesties are available at no extra charge.

**Grommet:** If the grommet position is not specified, the standard is centered (GRC).

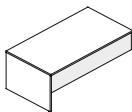
**Handles:** To add handles, please choose from the Logiflex list. Add \$14 retail each.

### Options

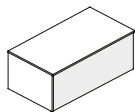
#### Modesty



10" high  
PM  
\$0

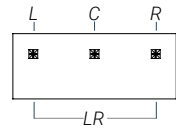


18-1/2" high  
SM  
\$0

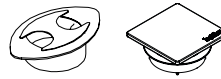


Full height  
FM  
\$0

#### Grommet Position



#### Grommet Style



\$0      \$26 ea.

### How to Order

| ML<br>MLL  | AB         | R    | 29     | E<br>F   | PM<br>SM<br>FM (std) | NGR<br>GRL<br>GRR<br>GLR<br>GRC (std) | CAPF<br>CBPF<br>CCPF<br>ELPF (std) |                     |
|------------|------------|------|--------|----------|----------------------|---------------------------------------|------------------------------------|---------------------|
| series     | dimensions | code | height | pedestal | modesty              | grommet<br>position                   | grommet<br>style                   | handles<br>(p. 162) |
| Example ML | 2060       | R    | 29     |          | FM                   | GRC                                   | ELPF                               |                     |

### Prices

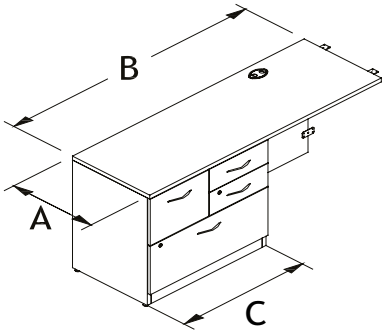
| Dimensions |      |      |
|------------|------|------|
| A B        | ML   | MLL  |
| 2030       | 1058 | 1253 |
| 2036       | 1078 | 1297 |
| 2042       | 1096 | 1332 |
| 2048       | 1146 | 1382 |
| 2054       | 1187 | 1423 |
| 2060       | 1225 | 1457 |
| 2430       | 1109 | 1316 |
| 2436       | 1127 | 1352 |
| 2442       | 1146 | 1391 |
| 2448       | 1187 | 1435 |
| 2454       | 1225 | 1482 |
| 2460       | 1264 | 1520 |

**High Gloss Front:** Please request a quotation to obtain a price.

# Returns

## Returns with Combination Pedestal on Left

### RCBCL



### Manufacturing Standards

- 2 utility drawers, one file drawer and one lateral file drawer;
- ELPF grommet;
- Flush plates;
- 2 crossbars;
- HJAB handles;
- Locks;
- Flush modesty;
- Height: 29".

Not compatible with lateral tables due to differences in the direction of the wood grain as well as the thickness of the modesty panel.

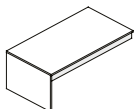
**Modesty:** If choice of modesty is not specified, the standard (FM) will be used, PM and SM modesties are available at no extra charge.

**Grommet:** If the grommet position is not specified, the standard is centered on the remaining space (GRC).

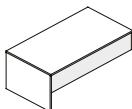
**Handles:** For handles other than HJAB standard, please choose from the Logiflex list at no extra charge.

### Options

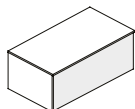
#### Modesty



10" high  
PM  
\$0

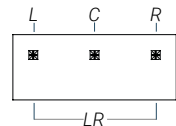


18-1/2" high  
SM  
\$0



Full height  
FM  
\$0

#### Grommet Position



#### Grommet Style



\$0



\$26 ea.

### Prices

| Dimensions |      |      |    |     |
|------------|------|------|----|-----|
| A          | B    | C    | ML | MLL |
| 204230     | 1850 | 2057 |    |     |
| 204830     | 1890 | 2111 |    |     |
| 205430     | 1931 | 2163 |    |     |
| 206030     | 1980 | 2222 |    |     |
|            |      |      |    |     |
| 244230     | 1890 | 2113 |    |     |
| 244830     | 1931 | 2165 |    |     |
| 245430     | 1980 | 2233 |    |     |
| 246030     | 2019 | 2297 |    |     |
|            |      |      |    |     |
| 204836     | 1999 | 2224 |    |     |
| 205436     | 2037 | 2279 |    |     |
| 206036     | 2085 | 2332 |    |     |
|            |      |      |    |     |
| 244836     | 2037 | 2280 |    |     |
| 245436     | 2096 | 2343 |    |     |
| 246036     | 2154 | 2408 |    |     |

### How to Order

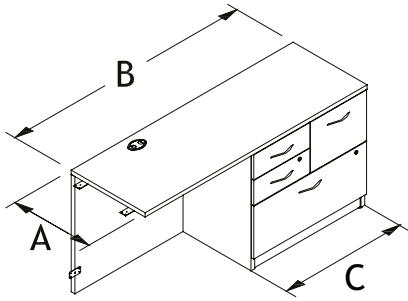
| ML<br>MLL      | C        | AB             | PM<br>SM<br>FM (std) | NGR<br>GRL<br>GRR<br>GLR<br>GRC (std) | CAPF<br>CBPF<br>CCPF<br>ELPF (std) | HJAB (std) |                  |               |                  |      |
|----------------|----------|----------------|----------------------|---------------------------------------|------------------------------------|------------|------------------|---------------|------------------|------|
|                | CBCL     |                | L                    | 29                                    |                                    |            |                  |               |                  |      |
| series         | pedestal | pedestal width | dimensions           | code                                  | height                             | modesty    | grommet position | grommet style | handles (p. 162) |      |
| <b>Example</b> | ML       | CBCL           | 30                   | 2060                                  | L                                  | 29         | FM               | GRC           | ELPF             | HJAB |

**High Gloss Front:** Please request a quotation to obtain a price.

# Returns

## Returns with Combination Pedestal on Right

RBCCL



### Manufacturing Standards

- 2 utility drawers, one file drawer and one lateral file drawer;
- ELPF grommet;
- Flush plates;
- 2 crossbars;
- HJAB handles;
- Locks;
- Flush modesty;
- Height: 29".

Not compatible with lateral tables due to differences in the direction of the wood grain as well as the thickness of the modesty panel.

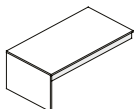
**Modesty:** If choice of modesty is not specified, the standard (FM) will be used, PM and SM modesties are available at no extra charge.

**Grommet:** If the grommet position is not specified, the standard is centered on the remaining space (GRC).

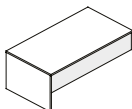
**Handles:** For handles other than HJAB standard, please choose from the Logiflex list at no extra charge.

### Options

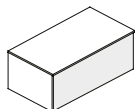
#### Modesty



10" high  
PM  
\$0

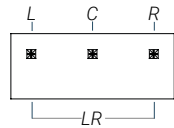


18-1/2" high  
SM  
\$0

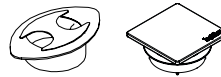


Full height  
FM  
\$0

#### Grommet Position



#### Grommet Style



\$0      \$26 ea.

### How to Order

| ML<br>MLL  | AB         | R    | 29     | BCCL           | C              | PM<br>SM<br>FM (std) | NGR<br>GRL<br>GRR<br>GLR<br>GRC (std) | CAPF<br>CBPF<br>CCPF<br>ELPF (std) | HJAB (std)       |
|------------|------------|------|--------|----------------|----------------|----------------------|---------------------------------------|------------------------------------|------------------|
| series     | dimensions | code | height | right pedestal | pedestal width | modesty              | grommet position                      | grommet style                      | handles (p. 162) |
| Example ML | 2060       | R    | 29     | BCCL           | 30             | FM                   | GRC                                   | ELPF                               | HJAB             |

### Prices

| Dimensions |      |      |
|------------|------|------|
| A          | B    | C    |
| 204230     | 1850 | 2057 |
| 204830     | 1890 | 2111 |
| 205430     | 1931 | 2163 |
| 206030     | 1980 | 2222 |
| 244230     | 1890 | 2113 |
| 244830     | 1931 | 2165 |
| 245430     | 1980 | 2233 |
| 246030     | 2019 | 2297 |
| 204836     | 1999 | 2224 |
| 205436     | 2037 | 2279 |
| 206036     | 2085 | 2332 |
| 244836     | 2037 | 2280 |
| 245436     | 2096 | 2343 |
| 246036     | 2154 | 2408 |

**High Gloss Front:** Please request a quotation to obtain a price.

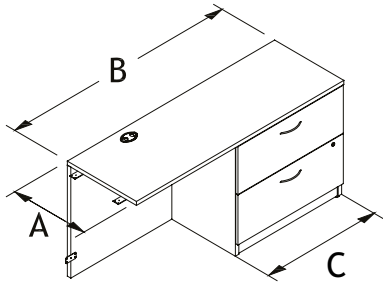


# Returns



## Returns with Lateral File Drawers on Right

### RCLR



### Manufacturing Standards

- 2 lateral file drawers;
- ELPF grommet;
- Flush plates;
- 2 crossbars per file drawer;
- HJAB handles;
- Lock;
- Flush modesty;
- Height: 29".

Not compatible with lateral tables due to differences in the direction of the wood grain as well as the thickness of the modesty panel.

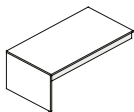
**Modesty:** If choice of modesty is not specified, the standard (FM) will be used, PM and SM modesties are available at no extra charge.

**Grommet:** If the grommet position is not specified, the standard is centered on the remaining space (GRC).

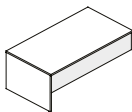
**Handles:** For handles other than HJAB standard, please choose from the Logiflex list at no extra charge.

### Options

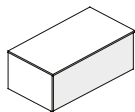
#### Modesty



10" high  
PM  
\$0

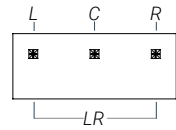


18-1/2" high  
SM  
\$0

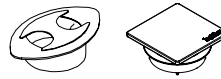


Full height  
FM  
\$0

#### Grommet Position



#### Grommet Style



\$0      \$26 ea.

### Prices

| Dimensions |      |      |    |     |
|------------|------|------|----|-----|
| A          | B    | C    | ML | MLL |
| 204230     | 1381 | 1556 |    |     |
| 204830     | 1407 | 1589 |    |     |
| 205430     | 1427 | 1631 |    |     |
| 206030     | 1443 | 1685 |    |     |
| 244230     | 1469 | 1571 |    |     |
| 244830     | 1487 | 1632 |    |     |
| 245430     | 1511 | 1697 |    |     |
| 246030     | 1527 | 1749 |    |     |
| 204836     | 1427 | 1662 |    |     |
| 205436     | 1443 | 1735 |    |     |
| 206036     | 1469 | 1788 |    |     |
| 244836     | 1513 | 1736 |    |     |
| 245436     | 1527 | 1800 |    |     |
| 246036     | 1552 | 1852 |    |     |
| 205442     | 1469 | 1854 |    |     |
| 206042     | 1487 | 1911 |    |     |
| 245442     | 1552 | 1923 |    |     |
| 246042     | 1573 | 1976 |    |     |

### How to Order

| ML<br>MLL | AB         | R    | 29     | CL       | C              | PM<br>SM<br>FM (std) | NGR<br>GRL<br>GRR<br>GLR<br>GRC (std) | CAPF<br>CBPF<br>CCPF<br>ELPF (std) | HJAB (std)       |
|-----------|------------|------|--------|----------|----------------|----------------------|---------------------------------------|------------------------------------|------------------|
| series    | dimensions | code | height | pedestal | pedestal width | modesty              | grommet position                      | grommet style                      | handles (p. 162) |

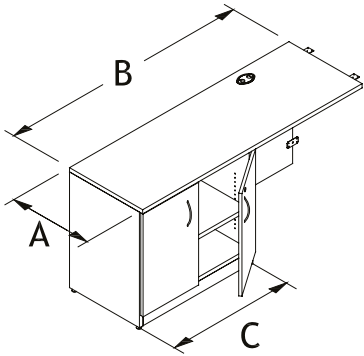
**Example**    ML    2060    R    29    CL    30    FM    GRC    ELPF    HJAB

**High Gloss Front:** Please request a quotation to obtain a price.

# Returns

## Returns with Cabinet on Left

RARL



### Manufacturing Standards

- 2 door cabinet;
- One adjustable shelf;
- ELPF grommet;
- Flush plates;
- HJAB handles;
- Lock;
- Flush modesty;
- Height: 29".

Not compatible with lateral tables due to differences in the direction of the wood grain as well as the thickness of the modesty panel.

**Modesty:** If choice of modesty is not specified, the standard (FM) will be used, PM and SM modesties are available at no extra charge.

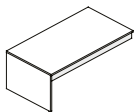
**Grommet:** If the grommet position is not specified, the standard is centered on the remaining space (GRC).

**Handles:** For handles other than HJAB standard, please choose from the Logiflex list at no extra charge.

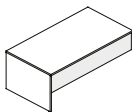
**Additional shelves (SH):** see Appendix G for prices, p. 17

### Options

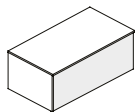
#### Modesty



10" high  
PM  
\$0

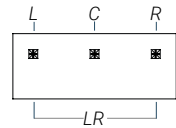


18-1/2" high  
SM  
\$0



Full height  
FM  
\$0

#### Grommet Position

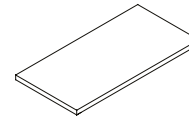


#### Grommet Style



\$0      \$26 ea.

#### Additional Shelves



### Prices

| Dimensions |      |      |
|------------|------|------|
| A B C      | ML   | MLL  |
| 204230     | 1180 | 1340 |
| 204830     | 1196 | 1374 |
| 205430     | 1218 | 1407 |
| 206030     | 1239 | 1454 |
|            |      |      |
| 244230     | 1218 | 1405 |
| 244830     | 1239 | 1442 |
| 245430     | 1254 | 1476 |
| 246030     | 1279 | 1523 |
|            |      |      |
| 204836     | 1239 | 1414 |
| 205436     | 1254 | 1450 |
| 206036     | 1279 | 1497 |
|            |      |      |
| 244836     | 1279 | 1442 |
| 245436     | 1300 | 1476 |
| 246036     | 1318 | 1523 |

**High Gloss Front:** Please request a quotation to obtain a price.

### How to Order

| ML<br>MLL | AR      | C             | AB         | L    | 29     | PM<br>SM<br>FM (std) | NGR<br>GRL<br>GRR<br>GLR<br>GRC (std) | CAPF<br>CBPF<br>CCPF<br>ELPF (std) | HJAB (std)       | SH      |
|-----------|---------|---------------|------------|------|--------|----------------------|---------------------------------------|------------------------------------|------------------|---------|
| series    | cabinet | cabinet width | dimensions | code | height | modesty              | grommet position                      | grommet style                      | handles (p. 162) | shelves |

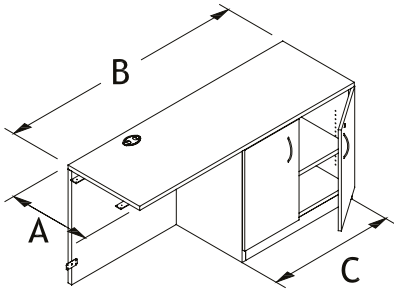
**Example** ML AR 30 2060 L 29 FM GRC ELPF HJAB SH

# Returns



## Returns with Cabinet on Right

### RARR



### Manufacturing Standards

- 2 door cabinet;
- One adjustable shelf;
- ELPF grommet;
- Flush plates;
- HJAB handles;
- Lock;
- Flush modesty;
- Height: 29".

Not compatible with lateral tables due to differences in the direction of the wood grain as well as the thickness of the modesty panel.

**Modesty:** If choice of modesty is not specified, the standard (FM) will be used, PM and SM modesties are available at no extra charge.

**Grommet:** If the grommet position is not specified, the standard is centered on the remaining space (GRC).

**Handles:** For handles other than HJAB standard, please choose from the Logiflex list at no extra charge.

**Additional shelves (SH):** see Appendix G for prices, p. 17

### Options

| Modesty               |                           |                          | Grommet Position | Grommet Style     | Additional Shelves |
|-----------------------|---------------------------|--------------------------|------------------|-------------------|--------------------|
|                       |                           |                          |                  |                   |                    |
| 10" high<br>PM<br>\$0 | 18-1/2" high<br>SM<br>\$0 | Full height<br>FM<br>\$0 |                  | \$0      \$26 ea. |                    |

### How to Order

| ML<br>MLL         | AB         | R    | 29     | AR      | C             | PM<br>SM<br>FM (std) | NGR<br>GRL<br>GRR<br>GLR<br>GRC (std) | CAPF<br>CBPF<br>CCPF<br>ELPF (std) | HJAB (std)       | SH      |
|-------------------|------------|------|--------|---------|---------------|----------------------|---------------------------------------|------------------------------------|------------------|---------|
| series            | dimensions | code | height | cabinet | cabinet width | modesty              | grommet position                      | grommet style                      | handles (p. 162) | shelves |
| <b>Example</b> ML | 2060       | R    | 29     | AR      | 30            | FM                   | GRC                                   | ELPF                               | HJAB             | SH      |

### Prices

| Dimensions |      |      |
|------------|------|------|
| A B C      | ML   | MLL  |
| 204230     | 1180 | 1340 |
| 204830     | 1196 | 1374 |
| 205430     | 1218 | 1407 |
| 206030     | 1239 | 1454 |
|            |      |      |
| 244230     | 1218 | 1405 |
| 244830     | 1239 | 1442 |
| 245430     | 1254 | 1476 |
| 246030     | 1279 | 1523 |
|            |      |      |
| 204836     | 1239 | 1414 |
| 205436     | 1254 | 1450 |
| 206036     | 1279 | 1497 |
|            |      |      |
| 244836     | 1279 | 1442 |
| 245436     | 1300 | 1476 |
| 246036     | 1318 | 1523 |

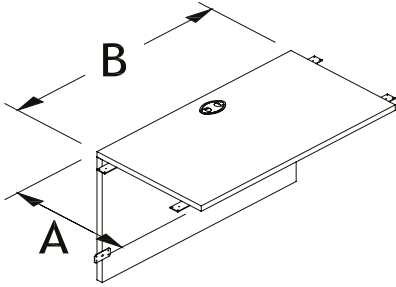
**High Gloss Front:** Please request a quotation to obtain a price.



# Returns

## Bridges with Modesty

BR



### Manufacturing Standards

- Delivered disassembled;
- ELPF grommet;
- Flush plates;
- Flush modesty.

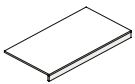
*Not compatible with lateral tables due to differences in the direction of the wood grain as well as the thickness of the modesty panel.*

**Modesty:** If choice of modesty is not specified, the standard (FM) will be used, PM and SM modesties are available at no extra charge.

**Grommet:** If the grommet position is not specified, the standard is centered (GRC).

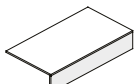
### Options

#### Modesty



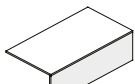
10" high

PM  
\$0



18-1/2" high

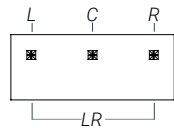
SM  
\$0



Full height

FM  
\$0

#### Grommet Position



#### Grommet Style



\$0



\$26 ea.

### Prices

| Dimensions |   |     |     |
|------------|---|-----|-----|
| A          | B | ML  | MLL |
| 2036       |   | 414 | 568 |
| 2042       |   | 433 | 586 |
| 2048       |   | 448 | 639 |
| <hr/>      |   |     |     |
| 2436       |   | 482 | 629 |
| 2442       |   | 501 | 649 |
| 2448       |   | 559 | 698 |

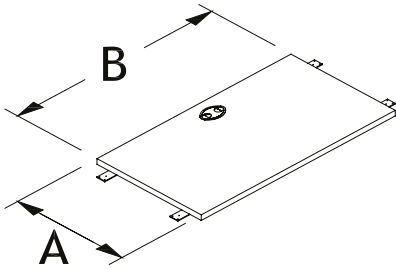
### How to Order

| ML         | AB         | BR   | PM<br>SM | NGR<br>GRL<br>GRR<br>GLR | CAPF<br>CBPF<br>CCPF |
|------------|------------|------|----------|--------------------------|----------------------|
| MLL        |            |      | FM (std) | GRC (std)                | ELPF (std)           |
| series     | dimensions | code | modesty  | grommet position         | grommet style        |
| Example ML | 2036       | BR   | FM       | GRC                      | ELPF                 |

# Returns

## Bridge Top

### BRT



### Manufacturing Standards

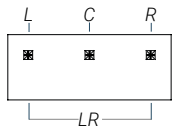
- ELPF grommet;
- Flush plates.

**Grommet:** If the grommet position is not specified, the standard is centered (GRC).

### Options

#### Grommet Position

#### Grommet Style



\$0

\$26 ea.

### Prices

| Dimensions |   | ML  | MLL |
|------------|---|-----|-----|
| A          | B |     |     |
| 2036       |   | 137 | 222 |
| 2042       |   | 159 | 256 |
| 2048       |   | 175 | 289 |
| <hr/>      |   |     |     |
| 2436       |   | 159 | 257 |
| 2442       |   | 175 | 299 |
| 2448       |   | 196 | 336 |

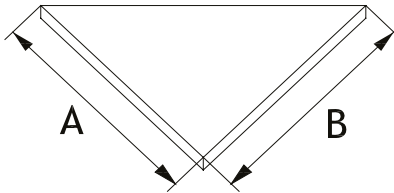
### How to Order

| ML     | AB         | BRT  | NGR<br>GRL<br>GRR<br>GLR<br>GRC (std) | CAPF<br>CBPF<br>CCPF<br>ELPF (std) |
|--------|------------|------|---------------------------------------|------------------------------------|
| MLL    |            |      |                                       |                                    |
| series | dimensions | code | grommet position                      | grommet style                      |

**Example** ML 2036 BRT GRC ELPF

## Connection Tops

### TRTOP



### Manufacturing Standards

- Flush plates.

### Prices

| Dimensions |     |     |
|------------|-----|-----|
| A B        | ML  | MLL |
| 1313       | 34  | 58  |
| 1818       | 61  | 109 |
| 1820       | 61  | 109 |
| 1824       | 67  | 114 |
| 1830       | 103 | 169 |
| 1836       | 110 | 179 |
| 2020       | 67  | 114 |
| 2024       | 79  | 137 |
| 2030       | 110 | 179 |
| 2036       | 120 | 200 |
| 2424       | 103 | 169 |
| 2430       | 120 | 200 |
| 2436       | 150 | 233 |
| 3030       | 161 | 264 |
| 3036       | 176 | 295 |
| 3636       | 222 | 368 |

### How to Order

|           |            |              |
|-----------|------------|--------------|
| ML<br>MLL | AB         | <b>TRTOP</b> |
| series    | dimensions | code         |

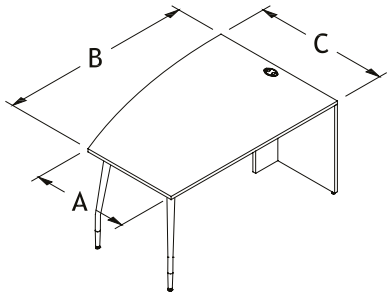
**Example** ML 2020 TRTOP



# Tables

## Left Arched Tables with End Gable

### AYL



### Manufacturing Standards

- Delivered disassembled;
- 2 Hatley legs: chrome tapered legs with wood insert;
- End gable;
- ELPF grommet;
- Height: 29".

Not compatible with lateral tables, due to difference in the direction of wood grain and the thickness of the end gable.

**Wood finishes:** Available colors: White Wash **WW**, Golden Wheat **GW**, Sand **SD**, Apricot **AT**, Pecan **PN**, Brandy **BR**, Chestnut **CT**, Coffee **CF**, Espresso **ES**, Bordeaux **BO**, Black Wash **BW** and Bark **BK**.

**Legs:** If choice of the leg is not specified, the standard is two chrome Hatley legs (HATCHR).

HATSN / BL, no charge;  
4.5BL / SN, subtract \$ 174 retail from table price;  
IFNBL / SN, subtract \$ 26 retail from table price.

### Options

#### Grommet Style



\$0      \$26 ea.

### Prices

| Dimensions |   |   |      |      |
|------------|---|---|------|------|
| A          | B | C | ML   | MLL  |
| 306042     |   |   | 1216 | 1551 |
| 306642     |   |   | 1253 | 1625 |
| 307242     |   |   | 1293 | 1695 |
| 308442     |   |   | 1370 | 1842 |
|            |   |   |      |      |
| 366048     |   |   | 1511 | 1735 |
| 366648     |   |   | 1387 | 1807 |
| 367248     |   |   | 1418 | 1878 |
| 368448     |   |   | 1487 | 2025 |

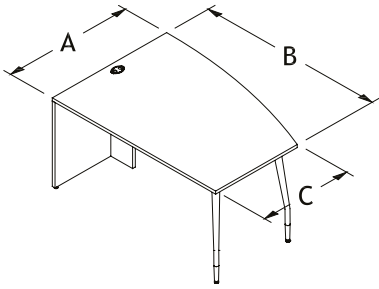
### How to Order

| ML                | ABC        | AYL  | IFNBL / SN<br>4.5BL / SN<br>HATSN / HATBL<br>HATCHR (std) | NGR<br>GRC (std)    | CAPF<br>CBPF<br>CCPF<br>ELPF (std) |
|-------------------|------------|------|---|---------------------|------------------------------------|
| MLL               |            |      |   |                     |                                    |
| series            | dimensions | code | legs<br>(p. 163)  | grommet<br>position | grommet<br>style                   |
| <b>Example</b> ML | 306042     | AYL  | HATCHR  | GRC                 | ELPF                               |

# Tables

## Right Arched Tables with End Gable

### AYR



### Manufacturing Standards

- Delivered disassembled;
- 2 Hatley legs: chrome tapered legs with wood insert;
- End gable;
- ELPF grommet;
- Height: 29".

*Not compatible with lateral tables, due to difference in the direction of wood grain and the thickness of the end gable.*

**Wood finishes:** Available colors: White Wash **WW**, Golden Wheat **GW**, Sand **SD**, Apricot **AT**, Pecan **PN**, Brandy **BR**, Chestnut **CT**, Coffee **CF**, Espresso **ES**, Bordeaux **BO**, Black Wash **BW** and Bark **BK**.

**Legs:** If choice of the leg is not specified, the standard is two chrome Hatley legs (HATCHR).

HATSN / BL, no charge;  
4.5BL / SN, subtract \$ 174 retail from table price;  
IFNBL / SN, subtract \$ 26 retail from table price.

### Options

#### Grommet Style



\$0

\$26 ea.

### How to Order

| ML<br>MLL         | ABC        | AYR  | IFNBL / SN<br>4.5BL / SN<br>HATSN / HATBL<br><b>HATCHR (std)</b> | NGR<br><b>GRC (std)</b> | CAPF<br>CBPF<br>CCPF<br><b>ELPF (std)</b> |
|-------------------|------------|------|--|-------------------------|---|
| series            | dimensions | code | legs<br>(p. 163)   | grommet<br>position     | grommet<br>style                          |
| <b>Example</b> ML | 426030     | AYR  | HATCHR   | GRC                     | ELPF                                      |

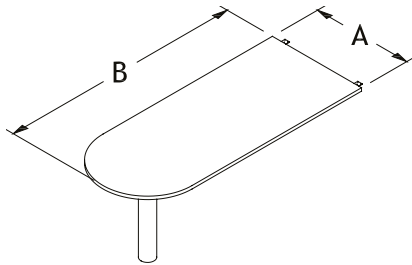
### Prices

| Dimensions |      |      |    |     |
|------------|------|------|----|-----|
| A          | B    | C    | ML | MLL |
| 426030     | 1216 | 1551 |    |     |
| 426630     | 1253 | 1625 |    |     |
| 427230     | 1293 | 1695 |    |     |
| 428430     | 1370 | 1842 |    |     |
| 486036     | 1511 | 1735 |    |     |
| 486636     | 1387 | 1807 |    |     |
| 487236     | 1418 | 1878 |    |     |
| 488436     | 1487 | 2025 |    |     |

# Tables

## D Tables without End Gable

### TD



### Manufacturing Standards

- Delivered disassembled;
- One 4.5" round black metal leg;
- Flush plates;
- Height: 29".

Table to be attached to the top of another freestanding item of equal or greater deepness. If not at least of equal deepness, a second leg is required for stability purposes.

**Legs:** If choice of the leg is not specified, the standard is 4.5" round black metal legs (4.5BL).

4.5SN, no charge;  
 IFNBL / SN, subtract \$75 retail from table price;  
 MAGSN, add \$292 retail to table price;  
 MAGCHR, add \$739 retail to table price;  
 MAGBL, add \$292 retail to table price;  
 MAGWH, add \$292 retail to table price;

### Prices

| Dimensions |     |      |
|------------|-----|------|
| A          | B   | MLL  |
| *3054      | 719 | 794  |
| *3060      | 748 | 939  |
| *3066      | 772 | 1001 |
| *3072      | 795 | 1048 |
| 3660       | 754 | 1048 |
| 3666       | 801 | 1105 |
| 3672       | 856 | 1181 |
| 3684       | 950 | 1395 |

\*For stability purposes, IFN leg is only available on 30"D desks.

### How to Order

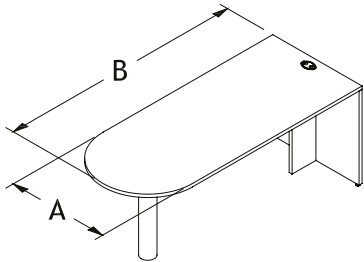
| ML<br>MLL         | AB         | TD   | IFNBL / SN<br>MAGSN / CHR / BL / WH<br>4.5BL (std) / SN |
|-------------------|------------|------|---|
| series            | dimensions | code | legs<br>(p. 163)  |
| <b>Example</b> ML | 3060       | TD   | 4.5BL   |

# Tables



## D Tables with End Gable

### TDG



### Manufacturing Standards

- Delivered disassembled;
- One 4.5" round black metal leg;
- End gable;
- ELPF grommet;
- Height: 29".

Not compatible with lateral tables, due to difference in the direction of wood grain and the thickness of the end gable.

**Legs:** If choice of the leg is not specified, the standard is 4.5" round black metal legs (4.5BL).

4.5SN, no charge;  
 IFNBL / SN, subtract \$75 retail from table price;  
 MAGSN, add \$292 retail to table price;  
 MAGCHR, add \$739 retail to table price.  
 MAGBL, add \$292 retail to table price;  
 MAGWH, add \$292 retail to table price;

**Important:** For stability purposes, a second leg is required if this table is used as a stand alone unit.

### Options

#### Grommet Style



\$0

\$26 ea.

### Prices

| Dimensions |   |      |      |
|------------|---|------|------|
| A          | B | ML   | MLL  |
| *3060      |   | 900  | 1079 |
| *3066      |   | 932  | 1149 |
| *3072      |   | 950  | 1192 |
| *3084      |   | 1057 | 1303 |
| 3660       |   | 921  | 1212 |
| 3666       |   | 970  | 1272 |
| 3672       |   | 1017 | 1346 |
| 3684       |   | 1175 | 1559 |

\*For stability purposes, IFN leg is only available on 30"D desks.

### How to Order

| ML<br>MLL         | AB         | TDG        | IFNBL / SN<br>MAGSN / CHR / BL / WH<br>4.5BL (std) / SN | NGR<br><b>GRC (std)</b> | ⊕<br>CAPF<br>CBPF<br>CCPF<br><b>ELPF (std)</b> |
|-------------------|------------|------------|---|-------------------------|--|
| series            | dimensions | code       | legs<br>(p. 163)  | grommet<br>position     | grommet<br>style                               |
| <b>Example</b> ML | 3060       | <b>TDG</b> | 4.5BL   | GRC                     | ELPF   |

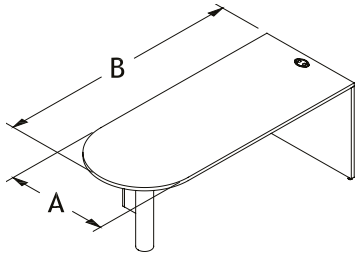


# Tables

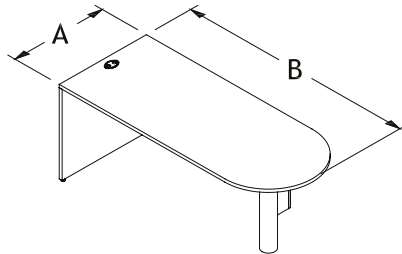


## D Tables with Modesty

### TDML



### TDMR



### Manufacturing Standards

- Delivered disassembled;
- One 4.5" round black metal leg;
- ELPF grommet;
- Modesty;
- Height: 29".

Not compatible with lateral tables, due to difference in the direction of wood grain and the thickness of the end gable.

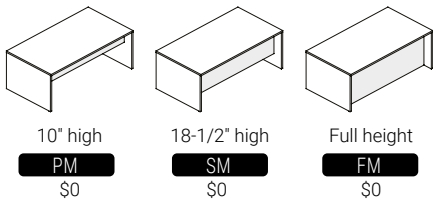
**Modesty:** If choice of modesty is not specified, the standard (SM) will be used, PM and FM modesties are available at no extra charge.

**Legs:** If choice of the leg is not specified, the standard is 4.5" round black metal legs (4.5BL).

4.5SN, no charge;  
 IFNBL / SN, subtract \$75 retail from table price;  
 MAGSN, add \$292 retail to table price;  
 MAGCHR, add \$739 retail to table price.  
 MAGBL, add \$292 retail to table price;  
 MAGWH, add \$292 retail to table price;

### Options

#### Modesty



#### Grommet Style



### Prices

| Dimensions |      |      |
|------------|------|------|
| A          | B    | MLL  |
| *3054      | 965  | 1212 |
| *3060      | 999  | 1252 |
| *3066      | 1029 | 1309 |
| *3072      | 1049 | 1359 |
| 3660       | 1017 | 1352 |
| 3666       | 1066 | 1423 |
| 3672       | 1117 | 1498 |
| 3684       | 1273 | 1689 |

\*For stability purposes, IFN leg is only available on 30"D desks.

### How to Order

| ML<br>MLL         | AB         | TDML<br>TDMR | PM<br>FM<br><b>SM (std)</b> | IFNBL / SN<br>MAGSN / CHR / BL / WH<br>4.5BL (std) / SN | NGR<br><b>GRC (std)</b> | ⊕<br>CAPF<br>CBPF<br>CCPF<br><b>ELPF (std)</b> |
|-------------------|------------|--------------|-----------------------------|---|-------------------------|--|
| series            | dimensions | code         | modesty                     | legs<br>(p. 163)  | grommet<br>position     | grommet<br>style                               |
| <b>Example</b> ML | 3060       | TDML         | SM                          | 4.5BL   | GRC                     | ELPF   |

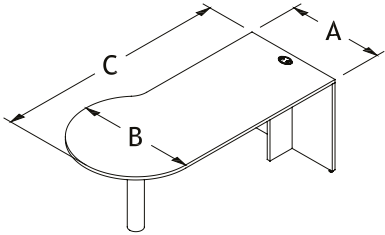
# Tables



## P Tables with End Gable

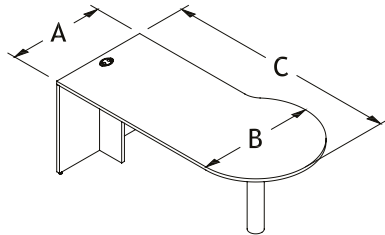
### TPGL

Left P-shaped table



### TPGR

Right P-shaped table



### Manufacturing Standards

- Delivered disassembled;
- One 4.5" round black metal leg;
- End gable;
- ELPF grommet;
- Height: 29".

Not compatible with lateral tables, due to difference in the direction of wood grain and the thickness of the end gable.

**Legs:** If choice of the leg is not specified, the standard is 4.5" round black metal legs (4.5BL).

4.5SN, no charge;  
 IFNBL / SN, subtract \$75 retail from table price;  
 MAGBL, add \$292 retail to table price;  
 MAGWH, add \$292 retail to table price.

**Important:** For stability purposes, a second leg is required if this table is used as a stand alone unit.

### Options

#### Grommet Style



\$0

\$26 ea.

### Prices

| Dimensions |   |   | ML   | MLL  |
|------------|---|---|------|------|
| A          | B | C |      |      |
| *303660    |   |   | 999  | 1277 |
| *303666    |   |   | 1029 | 1329 |
| *303672    |   |   | 1057 | 1376 |
| *303684    |   |   | 1168 | 1614 |
| 364260     |   |   | 1109 | 1374 |
| 364266     |   |   | 1127 | 1434 |
| 364272     |   |   | 1146 | 1517 |
| 364284     |   |   | 1273 | 1796 |

\*For stability purposes, IFN leg is only available on 30"D desks.

### How to Order

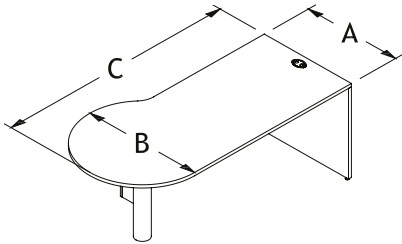
| ML<br>MLL         | ABC        | TPGL<br>TPGR | IFNBL / SN<br>MAGBL / WH<br>4.5BL (std) / SN | NGR<br>GRC (std)    | CAPF<br>CBPF<br>CCPF<br>ELPF (std) |
|-------------------|------------|--------------|--|---------------------|------------------------------------|
| series            | dimensions | code         | legs<br>(p. 163)                             | grommet<br>position | grommet<br>style                   |
| <b>Example</b> ML | 303660     | TPGL         | 4.5BL  | GRC                 | ELPF                               |

# Tables

## P Tables with Modesty

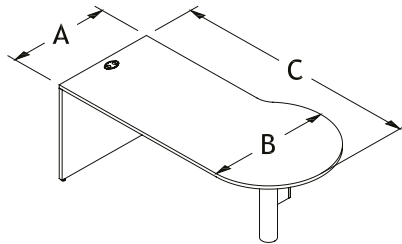
### TPML

Left P-shaped table



### TPMR

Right P-shaped table



### Manufacturing Standards

- Delivered disassembled;
- One 4.5" round black metal leg;
- ELPF grommet;
- Modesty;
- Height: 29".

Not compatible with lateral tables, due to difference in the direction of wood grain and the thickness of the end gable.

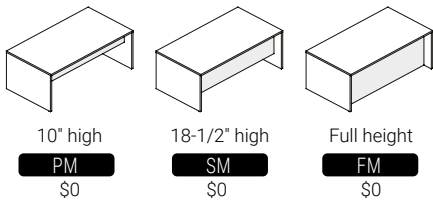
**Modesty:** If choice of modesty is not specified, the standard (SM) will be used, PM and FM modesties are available at no extra charge.

**Legs:** If choice of the leg is not specified, the standard is 4.5" round black metal legs (4.5BL).

4.5SN, no charge;  
 IFNBL / SN, subtract \$75 retail from table price;  
 MAGBL, add \$292 retail to table price;  
 MAGWH, add \$292 retail to table price;

### Options

#### Modesty



#### Grommet Style



### Prices

| Dimensions |      |      |    |     |
|------------|------|------|----|-----|
| A          | B    | C    | ML | MLL |
| *303660    | 1096 | 1448 |    |     |
| *303666    | 1127 | 1506 |    |     |
| *303672    | 1156 | 1557 |    |     |
| *303684    | 1319 | 1765 |    |     |
| 364260     | 1189 | 1539 |    |     |
| 364266     | 1244 | 1605 |    |     |
| 364272     | 1278 | 1697 |    |     |
| 364284     | 1454 | 1894 |    |     |

\*For stability purposes, IFN leg is only available on 30"D desks.

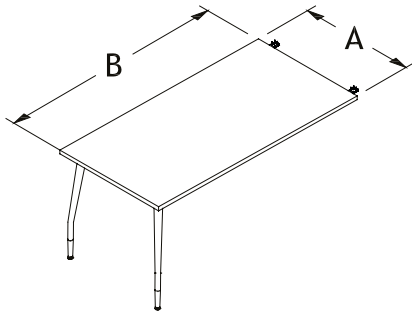
### How to Order

| ML<br>MLL         | ABC        | TPML<br>TPMR | PM<br>FM<br>SM (std) | IFNBL / SN<br>MAGBL / WH<br>4.5BL (std) / SN | NGR<br>GRC (std)    | CAPF<br>CBPF<br>CCPF<br>ELPF (std) |
|-------------------|------------|--------------|----------------------|--|---------------------|------------------------------------|
| series            | dimensions | code         | modesty              | legs<br>(p. 163)                             | grommet<br>position | grommet<br>style                   |
| <b>Example</b> ML | 303660     | TPML         | SM                   | 4.5BL  | GRC                 | ELPF                               |

# Tables

## Rectangular Tables without End Gable

REI



### Manufacturing Standards

- Delivered disassembled;
- 2 Hatley legs: chrome tapered legs with wood insert;
- Flush plates;
- Height: 29".

Table to be attached to the top of another freestanding item.

**Wood finishes:** Available colors: White Wash **WW**, Golden Wheat **GW**, Sand **SD**, Apricot **AT**, Pecan **PN**, Brandy **BR**, Chestnut **CT**, Coffee **CF**, Espresso **ES**, Bordeaux **BO**, Black Wash **BW** and Bark **BK**.

**Legs:** If choice of the leg is not specified, the standard is 2 Hatley legs.

4.5SN, no charge;  
 IFNBL / SN, subtract \$75 retail from table price;  
 MAGSN, add \$292 retail to table price;  
 MAGCHR, add \$739 retail to table price.  
 MAGBL, add \$292 retail to table price;  
 MAGWH, add \$292 retail to table price;

### Prices

| Dimensions |   |      |      |
|------------|---|------|------|
| A          | B | ML   | MLL  |
| 3054       |   | 798  | 874  |
| 3060       |   | 825  | 1016 |
| 3066       |   | 852  | 1082 |
| 3072       |   | 875  | 1126 |
| 3660       |   | 833  | 1126 |
| 3666       |   | 881  | 1183 |
| 3672       |   | 933  | 1258 |
| 3684       |   | 1029 | 1474 |

### How to Order

| ML<br>MLL | AB         | REI  | 4.5BL / 4.5SN<br>IFNBL / SN<br>MAGSN / CHR / BL / WH<br>HATSN / HATBL<br>HATCHR (std) |
|-----------|------------|------|---|
| series    | dimensions | code | legs<br>(p. 163)  |

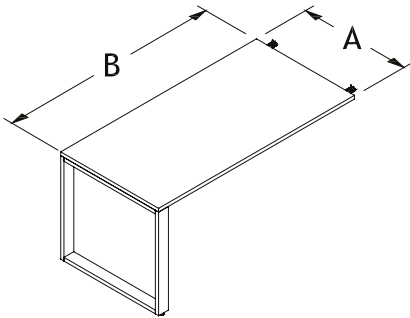
**Example** ML 3060 REI HATCHR

# Tables



## Rectangular Tables without End Gable

### REIO



### Manufacturing Standards

- Delivered disassembled;
- Square leg in Satin Nickel;
- Support bar;
- Flush plates;
- Height: 29".

Table to be attached to the top of another freestanding item.

### Prices

| Dimensions |   |      |      |
|------------|---|------|------|
| A          | B | ML   | MLL  |
| 3054       |   | 798  | 874  |
| 3060       |   | 825  | 1016 |
| 3066       |   | 852  | 1082 |
| 3072       |   | 875  | 1126 |
|            |   |      |      |
| 3660       |   | 833  | 1126 |
| 3666       |   | 881  | 1183 |
| 3672       |   | 933  | 1258 |
| 3684       |   | 1029 | 1474 |

### How to Order

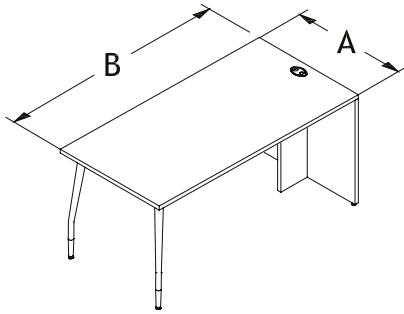
| ML<br>MLL | AB         | REIO | WH<br>BL<br>SN (std) |
|-----------|------------|------|----------------------|
|           |            |      |                      |
| series    | dimensions | code | finish               |

**Example** ML 3060 REIO SN

# Tables

## Rectangular Tables with End Gable

REG



### Manufacturing Standards

- Delivered disassembled;
- 2 Hatley legs: chrome tapered legs with wood insert;
- End gable;
- ELPF grommet;
- Flush plates;
- Height: 29".

Freestanding tables.

Not compatible with lateral tables, due to difference in the direction of wood grain and the thickness of the end gable.

**Available colors:** White Wash **WW**, Golden Wheat, Sand, Apricot **AT**, Pecan **PN**, Brandy **BR**, Chestnut **CT**, Coffee **CF**, Espresso **ES**, Bordeaux **BO**, Black Wash **BW** and Bark **BK**.

**Legs:** If choice of the leg is not specified, the standard is 2 Hatley legs.

4.5SN, no charge;  
 IFNBL / SN, subtract \$75 retail from table price;  
 MAGSN, add \$292 retail to table price;  
 MAGCHR, add \$739 retail to table price.  
 MAGBL, add \$292 retail to table price;  
 MAGWH, add \$292 retail to table price;

### Options

#### Grommet Style



\$0

\$26 ea.

### Prices

| Dimensions |      |      |
|------------|------|------|
| A          | B    | MLL  |
| 3060       | 978  | 1158 |
| 3066       | 1011 | 1226 |
| 3072       | 1029 | 1272 |
| 3084       | 1137 | 1381 |
|            |      |      |
| 3660       | 999  | 1290 |
| 3666       | 1050 | 1349 |
| 3672       | 1096 | 1424 |
| 3684       | 1253 | 1638 |

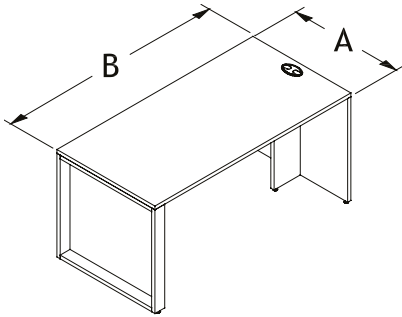
### How to Order

| ML<br>MLL         | AB         | REG  | 4.5BL / 4.5SN<br>IFNBL / SN<br>MAGSN / CHR / BL / WH<br>HATSN / HATBL<br>HATCHR (std) | NGR<br>GRC (std)    | CAPF<br>CBPF<br>CCPF<br>ELPF (std) |
|-------------------|------------|------|---|---------------------|------------------------------------|
| series            | dimensions | code | legs<br>(p. 163)  | grommet<br>position | grommet<br>style                   |
| <b>Example</b> ML | 3060       | REG  | HATCHR  | GRC                 | ELPF                               |

# Tables

## Rectangular Tables with End Gable

### REGO



### Manufacturing Standards

- Delivered disassembled;
- Square leg in Satin Nickel;
- End gable;
- Support bar;
- ELPF grommet;
- Flush plates;
- Height: 29".

Not compatible with lateral tables, due to difference in the direction of wood grain and the thickness of the end gable.

### Options

#### Grommet Style



\$0

\$26 ea.

### Prices

| Dimensions |      |      |
|------------|------|------|
| A          | B    | MLL  |
| 3060       | 978  | 1158 |
| 3066       | 1011 | 1226 |
| 3072       | 1029 | 1272 |
| 3084       | 1137 | 1381 |
|            |      |      |
| 3660       | 999  | 1290 |
| 3666       | 1050 | 1349 |
| 3672       | 1096 | 1424 |
| 3684       | 1253 | 1638 |

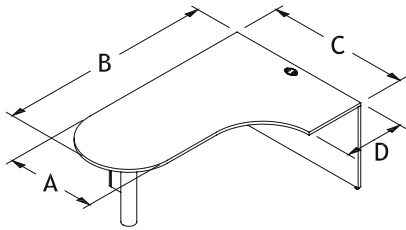
### How to Order

| ML<br>MLL         | AB         | REGO        | WH<br>BL<br>SN (std) | NGR<br>GRC (std)    | CAPE<br>CBPF<br>CCPF<br>ELPF (std) |
|-------------------|------------|-------------|----------------------|---------------------|------------------------------------|
| series            | dimensions | code        | finish               | grommet<br>position | grommet<br>style                   |
| <b>Example</b> ML | 3060       | <b>REGO</b> | SN                   | GRC                 | ELPF                               |

# Tables

## Extended D Tables with Modesty

### TDAML



### Manufacturing Standards

- Delivered disassembled;
- One 4.5" round black metal leg;
- ELPF grommet;
- Delivered disassembled;
- Modesty;
- Height: 29".

Not compatible with lateral tables, due to difference in the direction of wood grain and the thickness of the end gable.

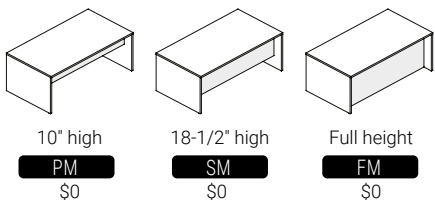
**Modesty:** If choice of modesty is not specified, the standard (SM) will be used, PM and FM modesties are available at no extra charge.

**Legs:** If choice of the leg is not specified, the standard is 4.5" round black metal legs (4.5BL).

4.5SN, no charge;  
 IFNBL / SN, subtract \$75 retail from table price;  
 MAGSN, add \$292 retail to table price;  
 MAGCHR, add \$739 retail to table price.

### Options

#### Modesty



#### Grommet Style



### Prices

| Dimensions |      |     |      |
|------------|------|-----|------|
| A          | B    | C   | D    |
| *30604820  | 1746 | ML  | 2003 |
| *30664820  | 1783 | MLL | 2097 |
| *30724820  | 1811 |     | 2212 |
| *30844820  | 1878 |     | 2351 |
| *30604824  | 1746 |     | 2003 |
| *30664824  | 1783 |     | 2097 |
| *30724824  | 1811 |     | 2212 |
| *30844824  | 1878 |     | 2351 |

### How to Order

| ML<br>MLL  | ABCD       | PM<br>FM<br>SM (std) | IFNBL / SN<br>MAGSN / CHR<br>4.5BL (std) / SN | NGR<br>GRC (std)    | CAPF<br>CBPF<br>CCPF<br>ELPF (std) |      |
|------------|------------|----------------------|---|---------------------|------------------------------------|------|
| series     | dimensions | code                 | legs<br>(p. 163)                              | grommet<br>position | grommet<br>style                   |      |
| Example ML | 30604820   | TDAML                | SM  | 4.5BL               | GRC                                | ELPF |

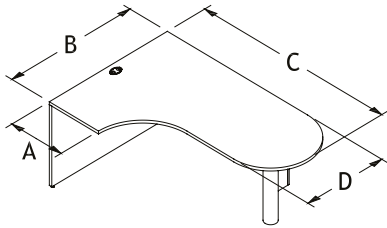
\*For stability purposes, IFN leg is only available on 30"D desks.



# Tables

## Extended D Tables with Modesty

### TDAMR



### Manufacturing Standards

- Delivered disassembled;
- One 4.5" round black metal leg;
- ELPF grommet;
- Delivered disassembled;
- Modesty;
- Height: 29".

Not compatible with lateral tables, due to difference in the direction of wood grain and the thickness of the end gable.

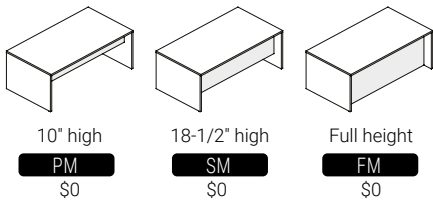
**Modesty:** If choice of modesty is not specified, the standard (SM) will be used, PM and FM modesties are available at no extra charge.

**Legs:** If choice of the leg is not specified, the standard is 4.5" round black metal legs (4.5BL).

4.5SN, no charge;  
 IFNBL / SN, subtract \$75 retail from table price;  
 MAGSN, add \$292 retail to table price;  
 MAGCHR, add \$739 retail to table price.

### Options

#### Modesty



#### Grommet Style



### Prices

| Dimensions |         |        |
|------------|---------|--------|
|            | A B C D | ML MLL |
| *20486030  | 1746    | 2003   |
| *20486630  | 1783    | 2097   |
| *20487230  | 1811    | 2212   |
| *20488430  | 1878    | 2351   |
| *24486030  | 1746    | 2003   |
| *24486630  | 1783    | 2097   |
| *24487230  | 1811    | 2212   |
| *24488430  | 1878    | 2351   |

### How to Order

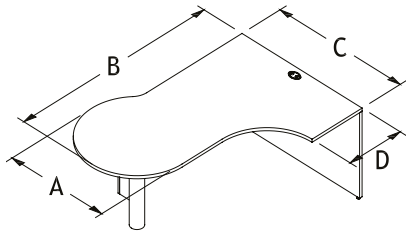
| ML<br>MLL  | ABCD       | TDAMR | PM<br>FM<br>SM (std) | IFNBL / SN<br>MAGSN / CHR<br>4.5BL (std) / SN | NGR<br>GRC (std)    | CAPF<br>CBPF<br>CCPF<br>ELPF (std) |
|------------|------------|-------|----------------------|---|---------------------|------------------------------------|
| series     | dimensions | code  | modesty              | legs<br>(p. 163)                              | grommet<br>position | grommet<br>style                   |
| Example ML | 20486030   | TDAMR | SM                   | 4.5BL   | GRC                 | ELPF                               |

\*For stability purposes, IFN leg is only available on 30"D desks.

# Tables

## Extended P Tables with Modesty

### TPAML



### Manufacturing Standards

- Delivered disassembled;
- One 4.5" round black metal leg;
- ELPF grommet;
- Modesty;
- Height: 29".

Not compatible with lateral tables, due to difference in the direction of wood grain and the thickness of the end gable.

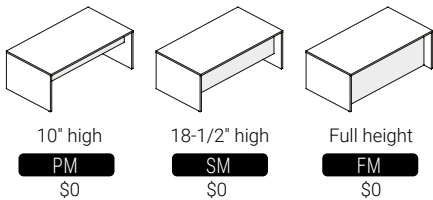
**Modesty:** If choice of modesty is not specified, the standard (SM) will be used, PM and FM modesties are available at no extra charge.

**Legs:** If choice of the leg is not specified, the standard is 4.5" round black metal legs (4.5BL).

4.5SN, no charge;  
IFNBL / SN, subtract \$75 retail from table price.

### Options

#### Modesty



#### Grommet Style



### Prices

| Dimensions |      |      |   |     |
|------------|------|------|---|-----|
| A          | B    | C    | D | MLL |
| *30604820  | 1877 | 2224 |   |     |
| *30664820  | 1903 | 2311 |   |     |
| *30724820  | 1930 | 2397 |   |     |
| *30844820  | 1967 | 2576 |   |     |
| *30604824  | 1877 | 2224 |   |     |
| *30664824  | 1903 | 2311 |   |     |
| *30724824  | 1930 | 2397 |   |     |
| *30844824  | 1967 | 2576 |   |     |

### How to Order

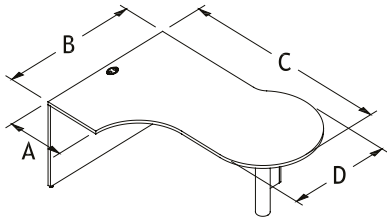
| ML<br>MLL  | ABCD       | TPAML | PM<br>FM<br>SM (std) | IFNBL / SN<br>4.5BL (std) / SN | NGR<br>GRC (std)    | CAPF<br>CBPF<br>CCPF<br>ELPF (std) |
|------------|------------|-------|----------------------|--------------------------------|---------------------|------------------------------------|
| series     | dimensions | code  | modesty              | legs<br>(p. 163)               | grommet<br>position | grommet<br>style                   |
| Example ML | 30604820   | TPAML | SM                   | 4.5BL                          | GRC                 | ELPF                               |

\*For stability purposes, IFN leg is only available on 30"D desks.

# Tables

## Extended P Tables with Modesty

### TPAMR



### Manufacturing Standards

- Delivered disassembled;
- One 4.5" round black metal leg;
- ELPF grommet;
- Modesty;
- Height: 29".

Not compatible with lateral tables, due to difference in the direction of wood grain and the thickness of the end gable.

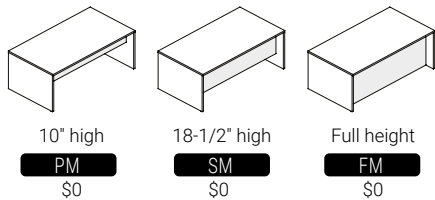
**Modesty:** If choice of modesty is not specified, the standard (SM) will be used, PM and FM modesties are available at no extra charge.

**Legs:** If choice of the leg is not specified, the standard is 4.5" round black metal legs (4.5BL).

4.5SN, no charge;  
IFNBL / SN, subtract \$75 retail from table price.

### Options

#### Modesty



#### Grommet Style



### Prices

| Dimensions |      |     |      |
|------------|------|-----|------|
| A          | B    | C   | D    |
| *20486030  | 1877 | ML  | 2224 |
| *20486630  | 1903 | MLL | 2311 |
| *20487230  | 1930 |     | 2397 |
| *20488430  | 1967 |     | 2576 |
|            |      |     |      |
| *24486030  | 1877 |     | 2224 |
| *24486630  | 1903 |     | 2311 |
| *24487230  | 1930 |     | 2397 |
| *24488430  | 1967 |     | 2576 |

### How to Order

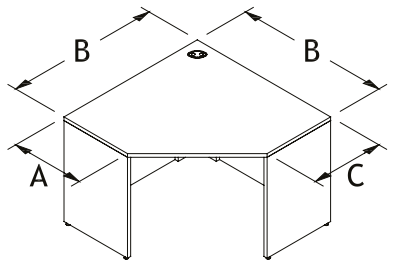
| ML<br>MLL  | ABCD       | TPAMR | PM<br>FM<br>SM (std) | IFNBL / SN<br>4.5BL (std) / SN | NGR<br>GRC (std)    | CAPF<br>CBPF<br>CCPF<br>ELPF (std) |
|------------|------------|-------|----------------------|--------------------------------|---------------------|------------------------------------|
| series     | dimensions | code  | modesty              | legs<br>(p. 163)               | grommet<br>position | grommet<br>style                   |
| Example ML | 30604820   | TPAMR | SM                   | 4.5BL                          | GRC                 | ELPF                               |

\*For stability purposes, IFN leg is only available on 30"D desks.

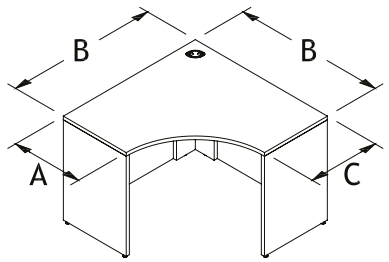
# Tables

## Corner Tables

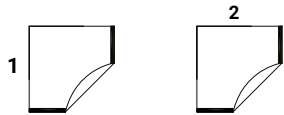
### CT



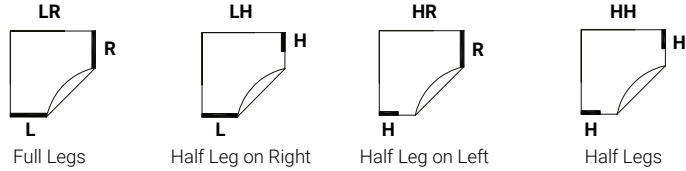
### CTC



#### Modesties



#### Leg Bases



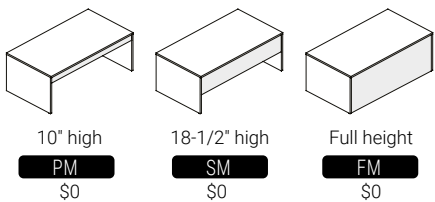
### Manufacturing Standards

- Delivered disassembled;
- Corner ELPF grommet;
- Flush modesties;
- Height: 29".

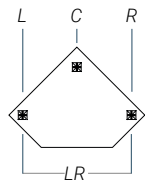
**Grommet Position:** Additional ELPF grommets at no extra charge.  
**Modesty:** If choice of modesty is not specified, the standard (FM) will be used, PM and SM modesties are available at no extra charge.

### Options

#### Modesty Styles



#### Grommet Position



#### Grommet Style



### Prices

#### CT - Corner Table Straight Cut

| Dimensions |      |      | ML | MLL |
|------------|------|------|----|-----|
| A          | B    | C    |    |     |
| 203620     | 885  | 1119 |    |     |
| 204220     | 1001 | 1284 |    |     |
| 204820     | 1111 | 1566 |    |     |
| 244224     | 1001 | 1284 |    |     |
| 244824     | 1111 | 1566 |    |     |
| 304230     | 1001 | 1284 |    |     |
| 304830     | 1111 | 1566 |    |     |

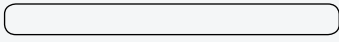
#### CTC - Corner Table Curved Cut

| Dimensions |      |      | ML | MLL |
|------------|------|------|----|-----|
| A          | B    | C    |    |     |
| 203620     | 885  | 1119 |    |     |
| 204220     | 1001 | 1284 |    |     |
| 204820     | 1111 | 1566 |    |     |
| 244224     | 1001 | 1284 |    |     |
| 244824     | 1111 | 1566 |    |     |
| 304230     | 1001 | 1284 |    |     |
| 304830     | 1111 | 1566 |    |     |

### How to Order

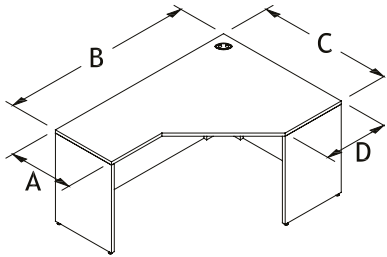
| ML<br>MLL  | ABC        | CT<br>CTC | LR<br>LH<br>HR<br>HH | PM<br>SM<br>FM (std) | PM<br>SM<br>FM (std) | NGR<br>GRL<br>GRR<br>GLR<br>GRC (std) | CAPF<br>CBPF<br>CCPF<br>ELPF (std) |
|------------|------------|-----------|----------------------|----------------------|----------------------|---------------------------------------|------------------------------------|
| series     | dimensions | code      | leg base             | modesty 1            | modesty 2            | grommet position                      | grommet style                      |
| Example ML | 203620     | CT        | LR                   | FM                   | FM                   | GRC                                   | ELPF                               |

# Tables

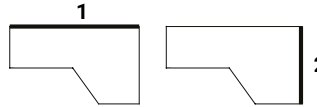


## Left Extended Corner Tables with Straight Cut

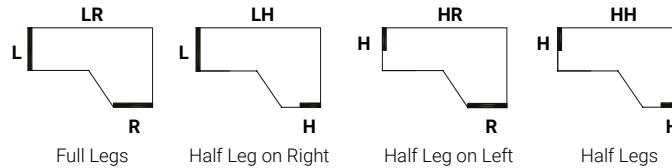
### CTLL



#### Modesties



#### Leg Bases



#### Options

##### Modesty Styles

10" high  
**PM**  
\$0

18-1/2" high  
**SM**  
\$0

Full height  
**FM**  
\$0

##### Grommet Position

##### Grommet Style

\$0

\$26 ea.

#### How to Order

| ML<br>MLL         | ABCD       | L        | LR<br>LH<br>HR<br>HH | PM<br>SM<br><b>FM (std)</b> | PM<br>SM<br><b>FM (std)</b> | NGR<br>GRR<br>GLR<br><b>GRC (std)</b> | CAPF<br>CBPF<br>CCPF<br><b>ELPF (std)</b> |
|-------------------|------------|----------|----------------------|-----------------------------|-----------------------------|---------------------------------------|---|
| series            | dimensions | code     | leg base             | modesty 1                   | modesty 2                   | grommet position                      | grommet style                             |
| <b>Example</b> ML | 20603620   | <b>L</b> | LR                   | FM                          | FM                          | GRC                                   | ELPF                                      |

#### Manufacturing Standards

- Delivered disassembled;
- Corner ELPF grommet;
- Flush modesties;
- Height: 29".

Compatible only with other lateral tables or extended corner tables because of the direction of the wood grain as well as the thickness of the leg base.

**Grommet Position:** Additional ELPF grommets at no extra charge.

**Modesty:** If choice of modesty is not specified, the standard (FM) will be used, PM and SM modesties are available at no extra charge.

#### Prices

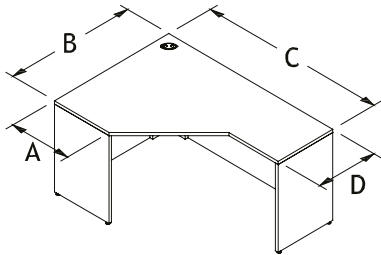
| Dimensions |      |      |
|------------|------|------|
| A          | B    | C    |
| 20603620   | 1146 | 1498 |
| 20663620   | 1194 | 1580 |
| 20723620   | 1273 | 1691 |
|            |      |      |
| 20604220   | 1351 | 1765 |
| 20664220   | 1405 | 1852 |
| 20724220   | 1481 | 1969 |
|            |      |      |
| 20604820   | 1558 | 2031 |
| 20664820   | 1608 | 2122 |
| 20724820   | 1687 | 2242 |
|            |      |      |
| 24603624   | 1146 | 1498 |
| 24663624   | 1194 | 1580 |
| 24723624   | 1273 | 1691 |
|            |      |      |
| 24604224   | 1351 | 1765 |
| 24664224   | 1405 | 1852 |
| 24724224   | 1481 | 1969 |
|            |      |      |
| 24604824   | 1558 | 2031 |
| 24664824   | 1608 | 2122 |
| 24724824   | 1687 | 2242 |
|            |      |      |
| 30604230   | 1351 | 1765 |
| 30664230   | 1405 | 1852 |
| 30724230   | 1481 | 1969 |
|            |      |      |
| 30604830   | 1558 | 2031 |
| 30664830   | 1608 | 2122 |
| 30724830   | 1687 | 2242 |

# Tables

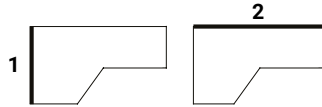


## Right Extended Corner Tables with Straight Cut

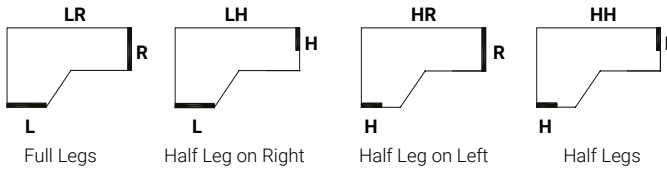
### CTLR



#### Modesties



#### Leg Bases



#### Options

##### Modesty Styles

- 10" high: PM \$0
- 18-1/2" high: SM \$0
- Full height: FM \$0

##### Grommet Position

##### Grommet Style

\$0      \$26 ea.

#### How to Order

| ML<br>MLL         | ABCD       | L    | LR<br>LH<br>HR<br>HH | PM<br>SM<br>FM (std) | PM<br>SM<br>FM (std) | NGR<br>GRL<br>GRR<br>GLR<br>GRC (std) | CAPF<br>CBPF<br>CCPF<br>ELPF (std) |
|-------------------|------------|------|----------------------|----------------------|----------------------|---------------------------------------|------------------------------------|
| series            | dimensions | code | leg base             | modesty 1            | modesty 2            | grommet position                      | grommet style                      |
| <b>Example</b> ML | 20366020   | L    | LR                   | FM                   | FM                   | GRC                                   | ELPF                               |

#### Manufacturing Standards

- Delivered disassembled;
- Corner ELPF grommet;
- Flush modesties;
- Height: 29".

Compatible only with other lateral tables or extended corner tables because of the direction of the wood grain as well as the thickness of the leg base.

**Grommet Position:** Additional ELPF grommets at no extra charge.

**Modesty:** If choice of modesty is not specified, the standard (FM) will be used, PM and SM modesties are available at no extra charge.

#### Prices

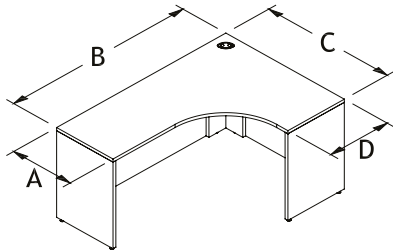
| Dimensions | ML   | MLL  |
|------------|------|------|
| 20366020   | 1146 | 1498 |
| 20366620   | 1194 | 1580 |
| 20367220   | 1273 | 1691 |
|            |      |      |
| 20426020   | 1351 | 1765 |
| 20426620   | 1405 | 1852 |
| 20427220   | 1481 | 1969 |
|            |      |      |
| 20486020   | 1558 | 2031 |
| 20486620   | 1608 | 2122 |
| 20487220   | 1687 | 2242 |
|            |      |      |
| 24366024   | 1146 | 1498 |
| 24366624   | 1194 | 1580 |
| 24367224   | 1273 | 1691 |
|            |      |      |
| 24426024   | 1351 | 1765 |
| 24426624   | 1405 | 1852 |
| 24427224   | 1481 | 1969 |
|            |      |      |
| 24486024   | 1558 | 2031 |
| 24486624   | 1608 | 2122 |
| 24487224   | 1687 | 2242 |
|            |      |      |
| 30426030   | 1351 | 1765 |
| 30426630   | 1405 | 1852 |
| 30427230   | 1481 | 1969 |
|            |      |      |
| 30486030   | 1558 | 2031 |
| 30486630   | 1608 | 2122 |
| 30487230   | 1687 | 2242 |

# Tables

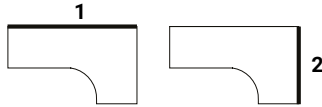


## Left Extended Corner Tables with Curved Cut

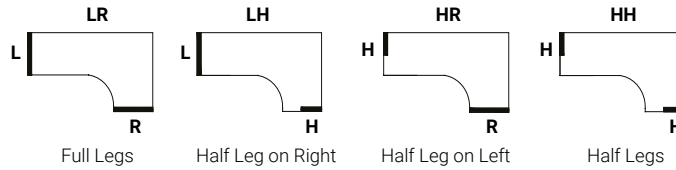
### CTRL



#### Modesties



#### Leg Bases



### Manufacturing Standards

- Delivered disassembled;
- Corner ELPF grommet;
- Flush modesties;
- Height: 29".

Compatible only with other lateral tables or extended corner tables because of the direction of the wood grain as well as the thickness of the leg base.

**Grommet Position:** Additional ELPF grommets at no extra charge.

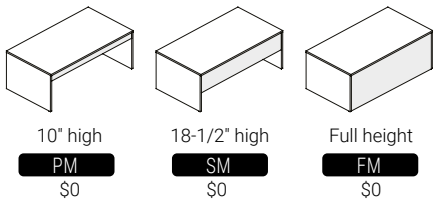
**Modesty:** If choice of modesty is not specified, the standard (FM) will be used, PM and SM modesties are available at no extra charge.

### Prices

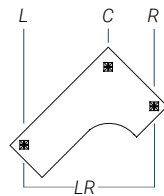
| Dimensions |      |      |   |    |     |
|------------|------|------|---|----|-----|
| A          | B    | C    | D | ML | MLL |
| 20603620   | 1146 | 1498 |   |    |     |
| 20663620   | 1194 | 1580 |   |    |     |
| 20723620   | 1273 | 1691 |   |    |     |
|            |      |      |   |    |     |
| 20604220   | 1351 | 1765 |   |    |     |
| 20664220   | 1405 | 1852 |   |    |     |
| 20724220   | 1481 | 1969 |   |    |     |
|            |      |      |   |    |     |
| 20604820   | 1558 | 2031 |   |    |     |
| 20664820   | 1608 | 2122 |   |    |     |
| 20724820   | 1687 | 2242 |   |    |     |
|            |      |      |   |    |     |
| 24603624   | 1146 | 1498 |   |    |     |
| 24663624   | 1194 | 1580 |   |    |     |
| 24723624   | 1273 | 1691 |   |    |     |
|            |      |      |   |    |     |
| 24604224   | 1351 | 1765 |   |    |     |
| 24664224   | 1405 | 1852 |   |    |     |
| 24724224   | 1481 | 1969 |   |    |     |
|            |      |      |   |    |     |
| 24604824   | 1558 | 2031 |   |    |     |
| 24664824   | 1608 | 2122 |   |    |     |
| 24724824   | 1687 | 2242 |   |    |     |
|            |      |      |   |    |     |
| 30604230   | 1351 | 1765 |   |    |     |
| 30664230   | 1405 | 1852 |   |    |     |
| 30724230   | 1481 | 1969 |   |    |     |
|            |      |      |   |    |     |
| 30604830   | 1558 | 2031 |   |    |     |
| 30664830   | 1608 | 2122 |   |    |     |
| 30724830   | 1687 | 2242 |   |    |     |

### Options

#### Modesty Styles



#### Grommet Position



#### Grommet Style



### How to Order

| ML<br>MLL | ABCD       | R    | LR<br>LH<br>HR<br>HH | PM<br>SM<br>FM (std) | PM<br>SM<br>FM (std) | NGR<br>GRR<br>GLR<br>GRC (std) | CAPF<br>CBPF<br>CCPF<br>ELPF (std) |
|-----------|------------|------|----------------------|----------------------|----------------------|--------------------------------|------------------------------------|
| series    | dimensions | code | leg base             | modesty 1            | modesty 2            | grommet position               | grommet style                      |

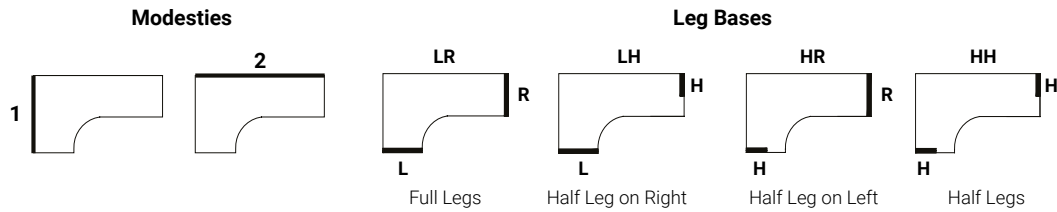
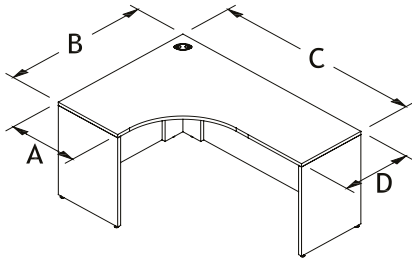
**Example** ML 20603620 R LR FM FM GRC ELPF

# Tables



## Right Extended Corner Tables with Curved Cut

### CTRR



**Options**

**Modesty Styles**

10" high  
**PM**  
\$0

18-1/2" high  
**SM**  
\$0

Full height  
**FM**  
\$0

**Grommet Position**

**Grommet Style**

\$0      \$26 ea.

**How to Order**

| ML<br>MLL         | ABCD       | R        | LR<br>LH<br>HR<br>HH | PM<br>SM<br><b>FM (std)</b> | PM<br>SM<br><b>FM (std)</b> | NGR<br>GRL<br>GRR<br>GLR<br><b>GRC (std)</b> | CAPF<br>CBPF<br>CCPF<br><b>ELPF (std)</b> |
|-------------------|------------|----------|----------------------|-----------------------------|-----------------------------|--|---|
| series            | dimensions | code     | leg base             | modesty 1                   | modesty 2                   | grommet position                             | grommet style                             |
| <b>Example</b> ML | 20366020   | <b>R</b> | LR                   | FM                          | FM                          | GRC  | ELPF                                      |

### Manufacturing Standards

- Delivered disassembled;
  - Corner ELPF grommet;
  - Flush modesties;
  - Height: 29".
- Compatible only with other lateral tables or extended corner tables because of the direction of the wood grain as well as the thickness of the leg base.*
- Grommet Position:** Additional ELPF grommets at no extra charge.
- Modesty:** If choice of modesty is not specified, the standard (FM) will be used, PM and SM modesties are available at no extra charge.

### Prices

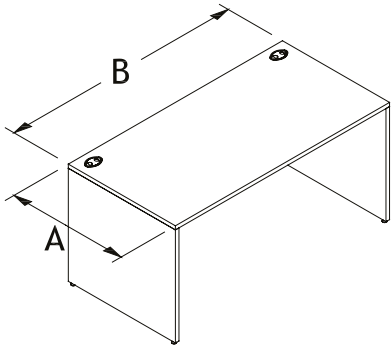
| Dimensions | ML   | MLL  |
|------------|------|------|
| 20366020   | 1146 | 1498 |
| 20366620   | 1194 | 1580 |
| 20367220   | 1273 | 1691 |
| 20426020   | 1351 | 1765 |
| 20426620   | 1405 | 1852 |
| 20427220   | 1481 | 1969 |
| 20486020   | 1558 | 2031 |
| 20486620   | 1608 | 2122 |
| 20487220   | 1687 | 2242 |
| 24366024   | 1146 | 1498 |
| 24366624   | 1194 | 1580 |
| 24367224   | 1273 | 1691 |
| 24426024   | 1351 | 1765 |
| 24426624   | 1405 | 1852 |
| 24427224   | 1481 | 1969 |
| 24486024   | 1558 | 2031 |
| 24486624   | 1608 | 2122 |
| 24487224   | 1687 | 2242 |
| 30426030   | 1351 | 1765 |
| 30426630   | 1405 | 1852 |
| 30427230   | 1481 | 1969 |
| 30486030   | 1558 | 2031 |
| 30486630   | 1608 | 2122 |
| 30487230   | 1687 | 2242 |



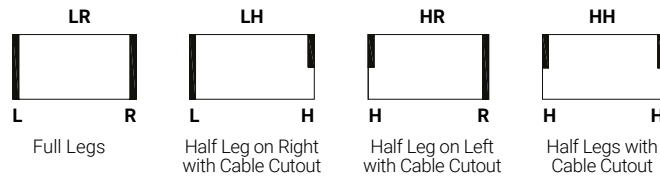
# Tables

## Lateral Tables, 20" and 24"

TL



### Leg Bases



### Manufacturing Standards

- Delivered disassembled;
- Centered grommet for table widths less than 48";
- Left and right grommets for table widths 48" or more;
- Flush modesty;
- Height: 29";
- Half leg to juxtapose the table to another table. Not designed to be apparent.

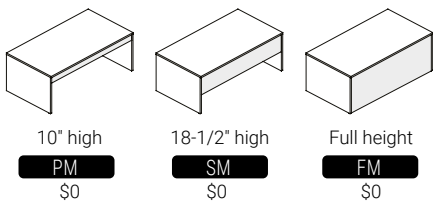
Compatible only with other lateral tables or extended corner tables because of the direction of the wood grain as well as the thickness of the leg base.

**Leg Base:** For support purposes, 84" tables include an additional half leg in the centre.

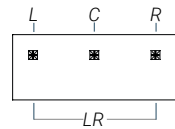
**Modesty:** If choice of modesty is not specified, the standard (FM) will be used, PM and SM modesties are available at no extra charge.

### Options

#### Modesty Styles



#### Grommet Position



#### Grommet Style



### Prices

| Dimensions |   | ML  | MLL  |
|------------|---|-----|------|
| A          | B |     |      |
| 2024       |   | 520 | 610  |
| 2030       |   | 541 | 630  |
| 2036       |   | 587 | 706  |
| 2042       |   | 618 | 751  |
| 2048       |   | 647 | 793  |
| 2054       |   | 678 | 851  |
| 2060       |   | 695 | 882  |
| 2066       |   | 734 | 927  |
| 2072       |   | 763 | 978  |
| 2078       |   | 790 | 1010 |
| 2084       |   | 819 | 1061 |

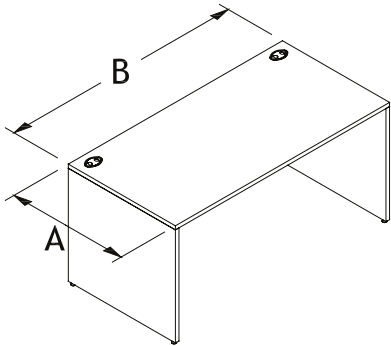
### How to Order

| ML                | AB         | TL   | LR       | PM       | NGR              | CAPF          |
|-------------------|------------|------|----------|----------|------------------|---------------|
| MLL               |            |      | LH       | SM       | GRL              | CBPF          |
|                   |            |      | HR       | FM (std) | GRR              | CCPF          |
|                   |            |      | HH       |          | GLR              | ELPF (std)    |
|                   |            |      |          |          | GRC              |               |
| series            | dimensions | code | leg base | modesty  | grommet position | grommet style |
| <b>Example</b> ML | 2072       | TL   | LR       | FM       | GRC              | ELPF          |

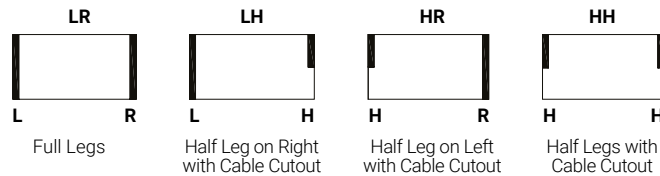
# Tables

## Lateral Tables, 30" and 36"

TL



### Leg Bases



### Manufacturing Standards

- Delivered disassembled;
- Centered grommet for table widths less than 48";
- Left and right grommets for table widths 48" or more;
- Flush modesty;
- Height: 29";
- Half leg to juxtapose the table to another table. Not designed to be apparent.

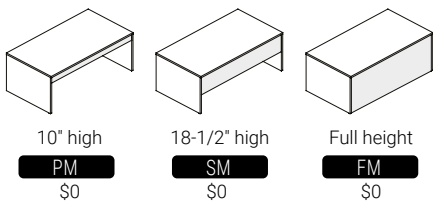
Compatible only with other lateral tables or extended corner tables because of the direction of the wood grain as well as the thickness of the leg base.

**Leg Base:** For support purposes, 84" tables include an additional half leg in the centre.

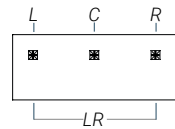
**Modesty:** If choice of modesty is not specified, the standard (FM) will be used, PM and SM modesties are available at no extra charge.

### Options

#### Modesty Styles



#### Grommet Position



#### Grommet Style



### Prices

| Dimensions |   | ML  | MLL  |
|------------|---|-----|------|
| A          | B |     |      |
| 3024       |   | 614 | 708  |
| 3030       |   | 635 | 784  |
| 3036       |   | 657 | 858  |
| 3042       |   | 678 | 901  |
| 3048       |   | 725 | 949  |
| 3054       |   | 763 | 1006 |
| 3060       |   | 785 | 1038 |
| 3066       |   | 832 | 1127 |
| 3072       |   | 874 | 1183 |
| 3078       |   | 901 | 1216 |
| 3084       |   | 939 | 1269 |

### How to Order

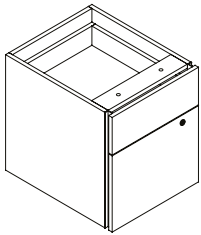
| ML<br>MLL  | AB         | TL   | LR<br>LH<br>HR<br>HH | PM<br>SM<br>FM (std) | NGR<br>GRL<br>GRR<br>GLR<br>GRC | CAPF<br>CBPF<br>CCPF<br>ELPF (std) |
|------------|------------|------|----------------------|----------------------|---------------------------------|------------------------------------|
| series     | dimensions | code | leg base             | modesty              | grommet position                | grommet style                      |
| Example ML | 3072       | TL   | LR                   | FM                   | GRC                             | ELPF                               |



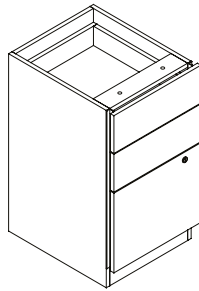
# Pedestals and Cabinets

## Independent D, E and F Pedestals

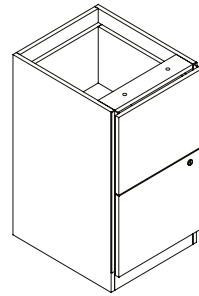
### DIND



### EIND



### FIND



### Manufacturing Standards

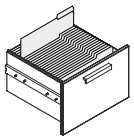
- Pedestals without tops;
- Depth of 17-3/4";
- D = 1 utility drawer and 1 file drawer;
- E = 2 utility drawers and 1 file drawer;
- F = 2 file drawers;
- PVC extrusion for lateral opening of drawers;
- Lock.

For installation by client on existing furniture.

**Handles:** To add handles, please choose from the Logiflex list. Add \$14 retail each.

### Options

#### Legal Size



X

### Prices

| Code  | ML  |
|-------|-----|
| DIND  | 692 |
| DINDX | 775 |
| EIND  | 865 |
| EINDX | 942 |
| FIND  | 865 |
| FINDX | 942 |

### How to Order

| ML     | DIND<br>EIND<br>FIND | X          |                     |
|--------|----------------------|------------|---------------------|
| series | code                 | legal size | handles<br>(p. 162) |

#### Example

|    |      |   |  |
|----|------|---|--|
| ML | DIND | X |  |
|----|------|---|--|

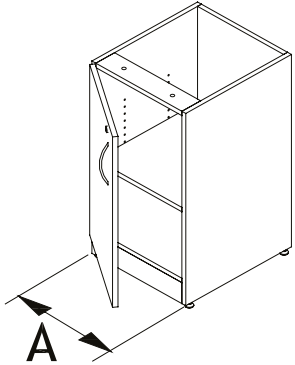
**High Gloss Front:** Please request a quotation to obtain a price.

# Pedestals and Cabinets

## Independent Cabinet with One Door

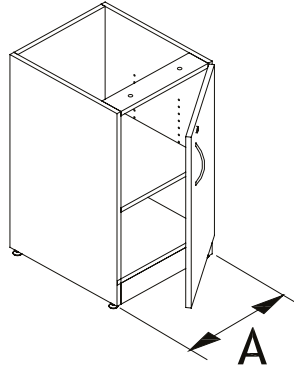
### ARLIND

Door opening to the left



### ARRIND

Door opening to the right



### Manufacturing Standards

- Pedestals without tops;
- Depth of 17-3/4";
- 1 adjustable shelf;
- HJAB handle;
- Lock.

For installation by client on existing furniture.

**Handle:** For a handle other than HJAB standard, please choose from the Logiflex list at no extra charge.

### Prices

| Width | ML  |
|-------|-----|
| A     |     |
| 15    | 589 |
| 18    | 616 |

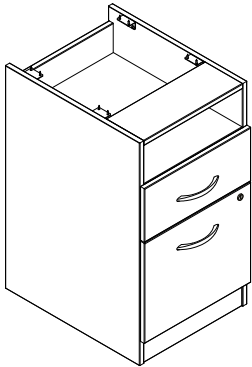
### How to Order

| ML                | ARL<br>ARR | A     | IND        | HJAB (std)          |
|-------------------|------------|-------|------------|---------------------|
| series            | code       | width | code       | handles<br>(p. 162) |
| <b>Example ML</b> | ARL        | 15    | <b>IND</b> | HJAB                |

# Pedestals and Cabinets

## Independent PGUCL Pedestals

### PGDIND



### Manufacturing Standards

- Independent pedestal 20x15-5/16x28H with open storage, D pedestal (1 utility drawer and 1 file drawer);
- HJAB handles;
- 1-1/2" back opening;
- Lock.

For installation by client on existing furniture.

**Handles:** For handles other than HJAB standard, please choose from the Logiflex list at no extra charge.

### Prices

| Code   | ML  |
|--------|-----|
| PGDIND | 819 |

### How to Order

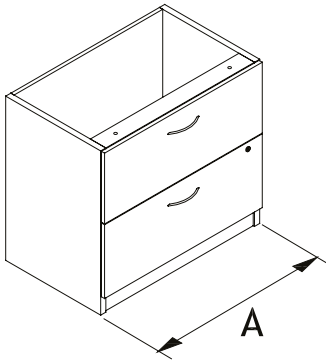
|                |        |           |      |      | HJAB (std)       |
|----------------|--------|-----------|------|------|------------------|
|                | ML     | 20        | PGD  | IND  |                  |
|                | series | Dimension | code | code | handles (p. 162) |
| <b>Example</b> | ML     | 20        | PGD  | IND  | HJAB             |

**High Gloss Front:** Please request a quotation to obtain a price.

# Pedestals and Cabinets

## Independent Two Drawer Lateral Filing Cabinet

### CLIND



### Manufacturing Standards

- Pedestals without tops;
- Depth of 17-3/4";
- 2 lateral filing drawers;
- HJAB handles;
- 2 crossbars per file drawer;
- Lock.

*For installation by client on existing furniture.*

**Handles:** For handles other than HJAB standard, please choose from the Logiflex list at no extra charge.

### Prices

| Width | ML   |
|-------|------|
| A     | 990  |
| 36    | 1076 |
| 42    | 1160 |

### How to Order

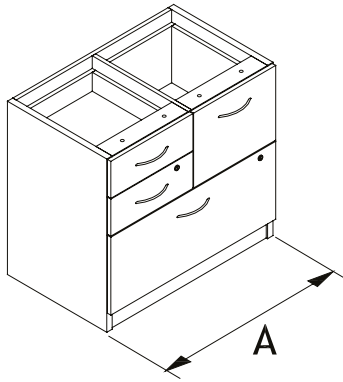
|                | ML     | CL   | A     | IND  | HJAB (std)       |
|----------------|--------|------|-------|------|------------------|
|                | series | code | width | code | handles (p. 162) |
| <b>Example</b> | ML     | CL   | 36    | IND  | HJAB             |

**High Gloss Front:** Please request a quotation to obtain a price.

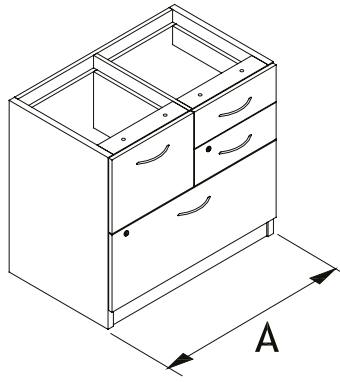
# Pedestals and Cabinets

## Independent Combination Pedestals

### BCCLIND



### CBCLIND



### Manufacturing Standards

- Pedestals without tops;
- Depth of 17-3/4";
- 2 utility drawers, 1 filing drawer and 1 lateral filing drawer;
- HJAB handles;
- 2 crossbars;
- Locks.

For installation by client on existing furniture.

**Handles:** For handles other than HJAB standard, please choose from the Logiflex list at no extra charge.

### Prices

| Width | ML   |
|-------|------|
| A     |      |
| 30    | 1404 |
| 36    | 1491 |

### How to Order

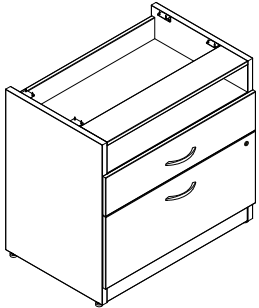
| ML                | BCCL<br>CBCL | A         | IND        | HJAB (std)          |
|-------------------|--------------|-----------|------------|---------------------|
| series            | code         | width     | code       | handles<br>(p. 162) |
| <b>Example ML</b> | <b>BCCL</b>  | <b>36</b> | <b>IND</b> | <b>HJAB</b>         |



# Pedestals and Cabinets

## Independent PGUCL Pedestals

### PGUCLIND



### Manufacturing Standards

- Independent pedestal 20x30x28H with open storage, D pedestal (1 utility drawer and 1 lateral file drawer);
- HJAB handles;
- 1-1/2" back opening;
- Lock.

*For installation by client on existing furniture.*

**Handles:** For handles other than HJAB standard, please choose from the Logiflex list at no extra charge.

### Prices

| Code     | ML  |
|----------|-----|
| PGUCLIND | 990 |

### How to Order

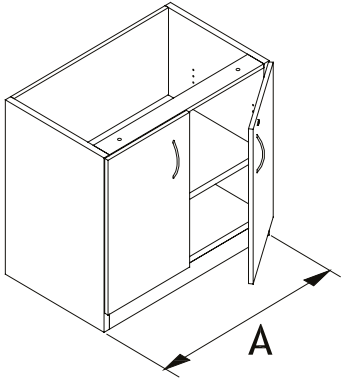
|                | ML     | 2030       | PGUCL | IND  | HJAB (std)                       |
|----------------|--------|------------|-------|------|----------------------------------|
|                | series | Dimensions | code  | code | <a href="#">handles (p. 162)</a> |
| <b>Example</b> | ML     | 2030       | PGUCL | IND  | HJAB                             |

**High Gloss Front:** Please request a quotation to obtain a price.

# Pedestals and Cabinets

## Independent Two Door Cabinet

### ARIND



### Manufacturing Standards

- Pedestals without tops;
- Depth of 17-3/4";
- 2 door cabinet;
- 1 adjustable shelf;
- HJAB handles;
- Lock.

*For installation by client on existing furniture.*

**Handles:** For handles other than HJAB standard, please choose from the Logiflex list at no extra charge.

### Prices

| Width<br>A | ML  |
|------------|-----|
| 24         | 784 |
| 30         | 840 |
| 36         | 879 |
| 42         | 916 |

### How to Order

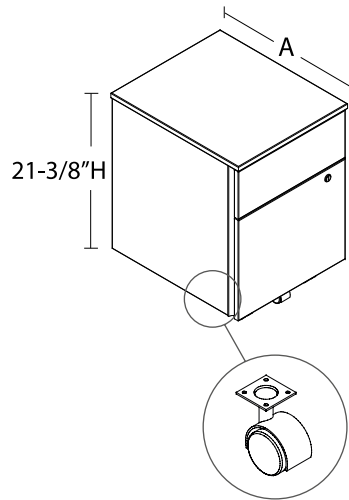
| ML                | AR        | A     | IND        | HJAB (std)          |
|-------------------|-----------|-------|------------|---------------------|
| series            | code      | width | code       | handles<br>(p. 162) |
| <b>Example ML</b> | <b>AR</b> | 36    | <b>IND</b> | HJAB                |

**High Gloss Front:** Please request a quotation to obtain a price.

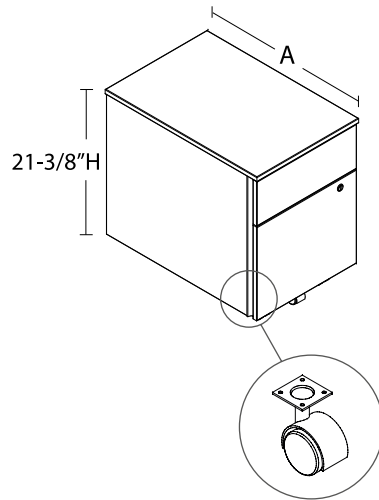
# Pedestals and Cabinets

## Mobile D Pedestal

### MOBD18



### MOBD23



### Manufacturing Standards

- Delivered with the casters disassembled;
- D = 1 utility drawer and 1 letter size file drawer;
- 5 casters including 2 with brake;
- Lock;
- Vertical wood grain on front;
- Height: 21-3/8".

**Handles:** To add handles, please choose from the Logiflex list. Add \$14 retail each.

**Counterweight:** A counterweight is included for pedestals that are 18" deep. If you would like to add a counterweight to a pedestal with a different depth, please indicate option (CPDS). Add \$189.

### Prices

| Dimensions |     |
|------------|-----|
| A          |     |
| D18        | 713 |
| DX18       | 827 |
| D23        | 713 |
| DX23       | 827 |

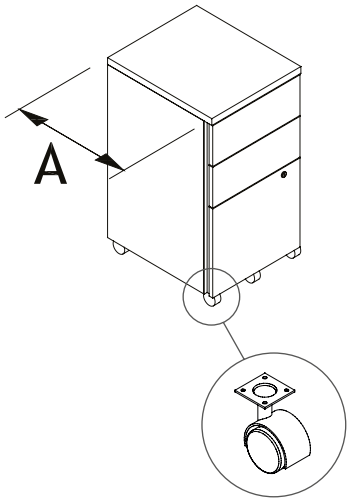
### How to Order

| ML     | MOB  | D        |       |                |                  |
|--------|------|----------|-------|----------------|------------------|
| series | code | pedestal | depth | counter weight | handles (p. 162) |
| ML     | MOB  | D        | 23    | CPDS           |                  |

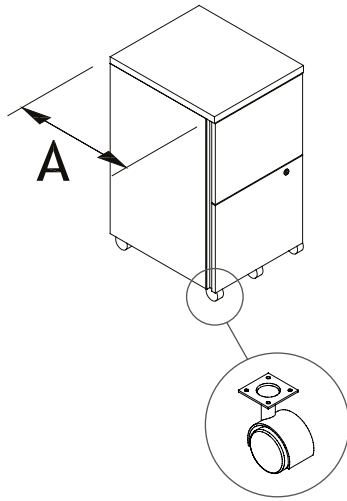
# Pedestals and Cabinets

## Mobile E and F Pedestals - Letter Size

### MOBE



### MOBF



### Manufacturing Standards

- Delivered with the casters disassembled;
- PVC extrusion for lateral opening of drawers;
- E = 2 utility drawers and 1 letter size file drawer;
- F = 2 letter size file drawers;
- Lock;
- 5 casters including 2 with brake;
- Height: 27-3/8".

**Handles:** To add handles, please choose from the Logiflex list. Add \$14 retail each.

**Counterweight:** A counterweight is included for pedestals that are 18" deep. If you would like to add a counterweight to a pedestal with a different depth, please indicate option (CPDS). Add \$189.

### Prices

| Depth | ML  |
|-------|-----|
| A     | ML  |
| 18    | 916 |
| 23    | 916 |
| 29    | 982 |

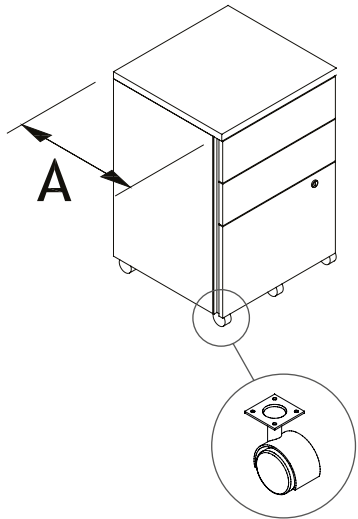
### How to Order

| ML                | MOB  | E<br>F   | A     | CPDS           | handles<br>(p. 162) |
|-------------------|------|----------|-------|----------------|---------------------|
| series            | code | pedestal | depth | counter weight |                     |
| <b>Example</b> ML | MOB  | E        | 23    | CPDS           |                     |

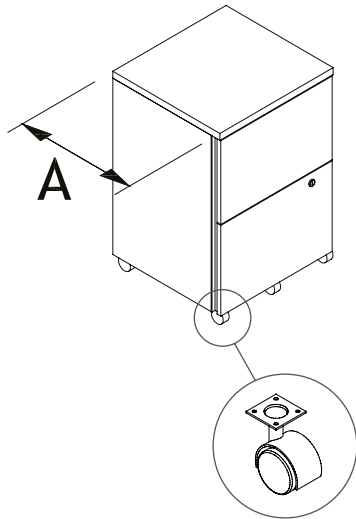
# Pedestals and Cabinets

## Mobile E and F Pedestals - Legal Size

### MOBXE



### MOBXF



### Manufacturing Standards

- Delivered with the casters disassembled;
- PVC extrusion for lateral opening of drawers;
- E = 2 utility drawers and 1 legal size file drawer;
- F = 2 legal size file drawers;
- Lock;
- 5 casters including 2 with brake;
- Height: 27-3/8".

**Handles:** To add handles, please choose from the Logiflex list. Add \$14 retail each.

**Counterweight:** A counterweight is included for pedestals that are 18" deep. If you would like to add a counterweight to a pedestal with a different depth, please indicate option (CPDS). Add \$189 .

### Prices

| Depth | ML   |
|-------|------|
| A     | ML   |
| 18    | 1031 |
| 23    | 1031 |
| 29    | 1094 |

### How to Order

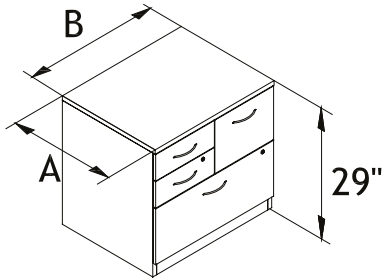
| ML                | MOBX        | E<br>F   | A         | CPDS           |                  |
|-------------------|-------------|----------|-----------|----------------|------------------|
| series            | code        | pedestal | depth     | counter weight | handles (p. 162) |
| <b>Example ML</b> | <b>MOBX</b> | <b>E</b> | <b>23</b> | <b>CPDS</b>    |                  |

**High Gloss Front:** Please request a quotation to obtain a price.

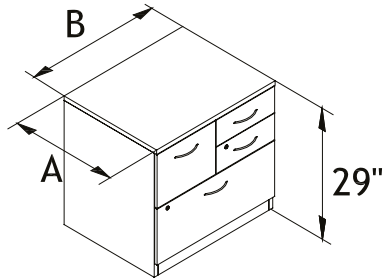
# Pedestals and Cabinets

## Combination Pedestals

### PBCCL



### PCBCL



### Manufacturing Standards

- BCCL/CBCL: 2 utility drawers, 1 filing drawer and 1 lateral filing drawer;
- HJAB handles;
- Black locks;
- 2 crossbars;
- Counterweight;
- Height: 29".

**Handles:** For handles other than HJAB standard, please choose from the Logiflex list at no extra charge.

### Prices

| Dimensions |   |                  |
|------------|---|------------------|
| A          | B |                  |
| 2030       |   | ML 1591 MLL 1691 |
| 2036       |   | ML 1636 MLL 1801 |

|      |  |                  |
|------|--|------------------|
| 2430 |  | ML 1618 MLL 1771 |
| 2436 |  | ML 1720 MLL 1883 |

**High Gloss Front:** Please request a quotation to obtain a price.

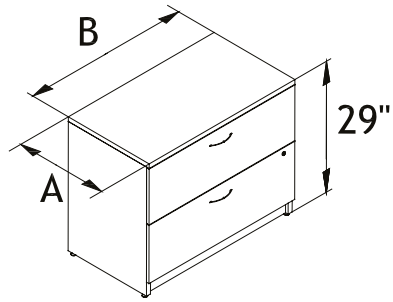
### How to Order

|                | ML<br>MLL | A     | BCCL<br>CBCL | B     | HJAB (std)<br>handles<br>(p. 162) |
|----------------|-----------|-------|--------------|-------|-----------------------------------|
| series         | ML        | depth | pedestal     | width |                                   |
| <b>Example</b> | ML        | 20    | BCCL         | 36    | HJAB                              |

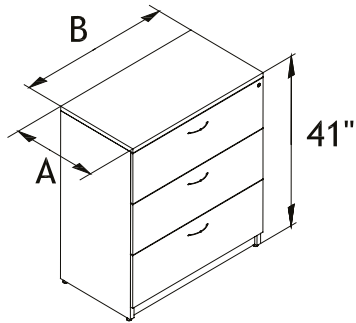
# Pedestals and Cabinets

## Lateral Filing Cabinets

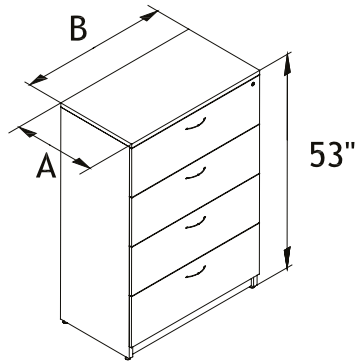
### CL2



### CL3



### CL4



### Manufacturing Standards

- 2, 3 or 4 lateral filing drawers;
- HJAB handles;
- Black interlock locks;
- 2 crossbars per file drawer;
- Counterweight (CL2 only).

**Handles:** For handles other than HJAB standard, please choose from the Logiflex list at no extra charge.

### Prices

#### CL2 - 2 lateral filing drawers

| Dimensions |   |      |      |
|------------|---|------|------|
| A          | B | ML   | MLL  |
| 2030       |   | 1106 | 1239 |
| 2036       |   | 1196 | 1351 |
| 2042       |   | 1303 | 1479 |
|            |   |      |      |
| 2430       |   | 1181 | 1332 |
| 2436       |   | 1273 | 1452 |
| 2442       |   | 1377 | 1578 |

#### CL3 - 3 lateral filing drawers

| Dimensions |   |      |
|------------|---|------|
| A          | B | ML   |
| 2030       |   | 1679 |
| 2036       |   | 1765 |
|            |   |      |
| 2430       |   | 1755 |
| 2436       |   | 1836 |

#### CL4 - 4 lateral filing drawers

| Dimensions |   |      |
|------------|---|------|
| A          | B | ML   |
| 2030       |   | 2156 |
| 2036       |   | 2259 |
|            |   |      |
| 2430       |   | 2286 |
| 2436       |   | 2389 |

**High Gloss Front:** Please request a quotation to obtain a price.

### How to Order

| ML             | MLL  | CL         | AB      | 2<br>3<br>4         | HJAB (std) |
|----------------|------|------------|---------|---------------------|------------|
| series         | code | dimensions | drawers | handles<br>(p. 162) |            |
| <b>Example</b> | ML   | CL         | 2036    | 3                   | HJAB       |

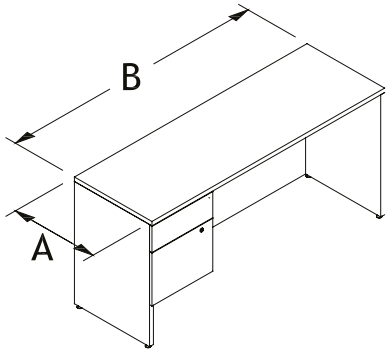




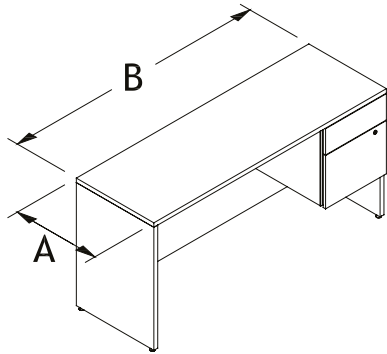
# Credenzas

## Credenzas with D Pedestals

CDL



CDR



### Manufacturing Standards

- One utility drawer and one file drawer on left or right;
- PVC extrusion for lateral opening of drawers;
- Lock;
- Flush modesty;
- Height: 29".

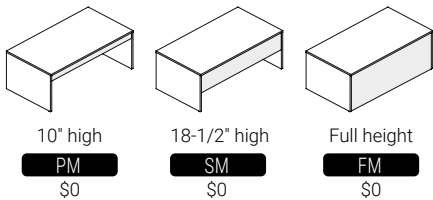
**Modesty:** If choice of modesty is not specified, the standard (FM) will be used, PM and SM modesties are available at no extra charge.

**Grommets:** Add ELPF grommets at no charge.

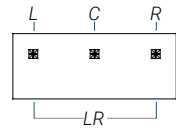
**Handles:** To add handles, please choose from the Logiflex list. Add \$14 retail each.

### Options

#### Modesty



#### Grommet Position



#### Grommet Style



### Prices

| Dimensions |      |      |
|------------|------|------|
| A B        | ML   | MLL  |
| 2054       | 1038 | 1250 |
| 2060       | 1087 | 1316 |
| 2066       | 1137 | 1366 |
| 2072       | 1175 | 1434 |
|            |      |      |
| 2454       | 1096 | 1336 |
| 2460       | 1137 | 1381 |
| 2466       | 1175 | 1446 |
| 2472       | 1215 | 1514 |

### How to Order

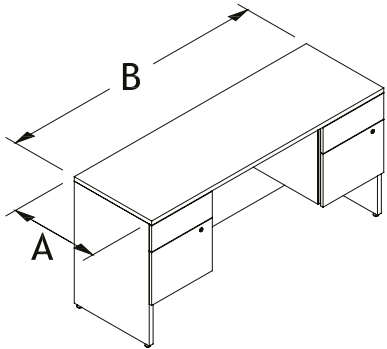
| ML<br>MLL  | D                      | AB         | D                       | PM<br>SM<br>FM (std) | GRL<br>GRR<br>GLR<br>GRC | CAPF<br>CBPF<br>CCPF<br>ELPF (std) | +                   |
|------------|------------------------|------------|-------------------------|----------------------|--------------------------|------------------------------------|---------------------|
| series     | if pedestal<br>on left | dimensions | if pedestal<br>on right | modesty              | grommet<br>position      | grommet<br>style                   | handles<br>(p. 162) |
| Example ML | D                      | 2060       |                         | FM                   | GRC                      | ELPF                               |                     |

**High Gloss Front:** Please request a quotation to obtain a price.

# Credenzas

## Credenzas with D Pedestals

CDD



### Manufacturing Standards

- One utility drawer and one file drawer on left and right;
- Locks;
- PVC extrusion for lateral opening of drawers;
- Flush modesty;
- Height: 29".

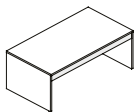
**Modesty:** If choice of modesty is not specified, the standard (FM) will be used, PM and SM modesties are available at no extra charge.

**Grommets:** Add ELPF grommets at no charge.

**Handles:** To add handles, please choose from the Logiflex list. Add \$14 retail each.

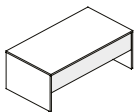
### Options

#### Modesty



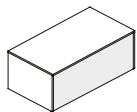
10" high

PM  
\$0



18-1/2" high

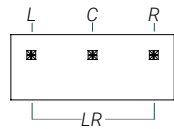
SM  
\$0



Full height

FM  
\$0

#### Grommet Position



#### Grommet Style



\$0



\$26 ea.

### How to Order

| ML<br>MLL  | AB                 |            | PM<br>SM<br>FM (std) |         | GRL<br>GRR<br>GLR<br>GRC | CAPF<br>CBPF<br>CCPF<br>ELPF (std) |                     |
|------------|--------------------|------------|----------------------|---------|--------------------------|------------------------------------|---------------------|
| series     | D<br>left pedestal | dimensions | D<br>right pedestal  | modesty | grommet position         | grommet style                      | handles<br>(p. 162) |
| Example ML | D                  | 2060       | D                    | FM      | GRC                      | ELPF                               |                     |

### Prices

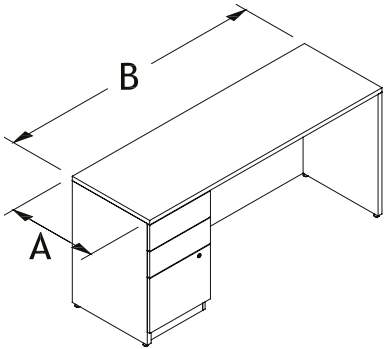
| Dimensions |      |      |
|------------|------|------|
| A          | B    | MLL  |
| 2060       | 1273 | 1789 |
| 2066       | 1316 | 1845 |
| 2072       | 1364 | 1905 |
|            |      |      |
| 2460       | 1323 | 1854 |
| 2466       | 1364 | 1923 |
| 2472       | 1405 | 1987 |

**High Gloss Front:** Please request a quotation to obtain a price.

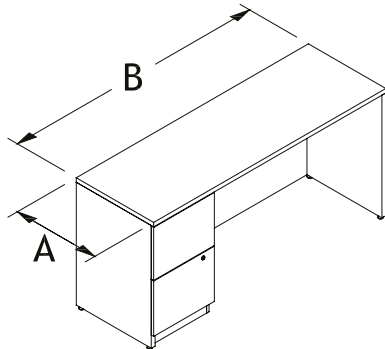
# Credenzas

## Credenzas with E or F Pedestal on Left

CEL



CFL



### Manufacturing Standards

- E = 2 utility drawers and 1 file drawer;
- F = 2 file drawers;
- PVC extrusion for lateral opening of drawers;
- Lock;
- Flush modesty;
- Height: 29".

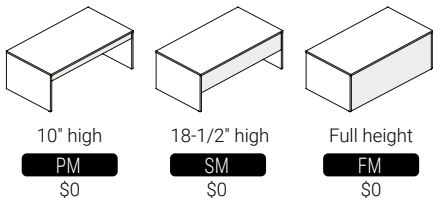
**Modesty:** If choice of modesty is not specified, the standard (FM) will be used, PM and SM modesties are available at no extra charge.

**Grommets:** Add ELPF grommets at no charge.

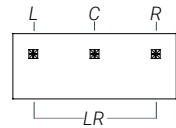
**Handles:** To add handles, please choose from the Logiflex list. Add \$14 retail each.

### Options

#### Modesty



#### Grommet Position



#### Grommet Style



\$0 \$26 ea.

### Prices

| Dimensions |   |      |      |
|------------|---|------|------|
| A          | B | ML   | MLL  |
| 2054       |   | 1235 | 1445 |
| 2060       |   | 1282 | 1512 |
| 2066       |   | 1331 | 1559 |
| 2072       |   | 1373 | 1628 |
| 2084       |   | 1527 | 1746 |
| <hr/>      |   |      |      |
| 2454       |   | 1293 | 1535 |
| 2460       |   | 1331 | 1578 |
| 2466       |   | 1373 | 1641 |
| 2472       |   | 1410 | 1707 |
| 2484       |   | 1567 | 1827 |

### How to Order

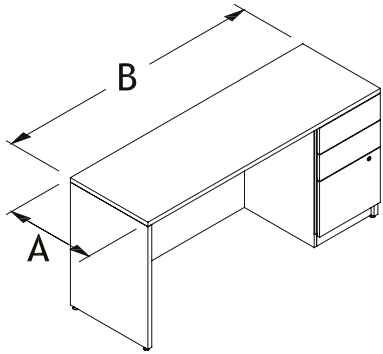
| ML<br>MLL  | E<br>F   | AB         | PM<br>SM<br>FM (std) | GRL<br>GRR<br>GLR<br>GRC | CAPF<br>CBPF<br>CCPF<br>ELPF (std) |                  |
|------------|----------|------------|----------------------|--------------------------|------------------------------------|------------------|
| series     | pedestal | dimensions | modesty              | grommet position         | grommet style                      | handles (p. 162) |
| Example ML | E        | 2060       | FM                   | GRC                      | ELPF                               |                  |

**High Gloss Front:** Please request a quotation to obtain a price.

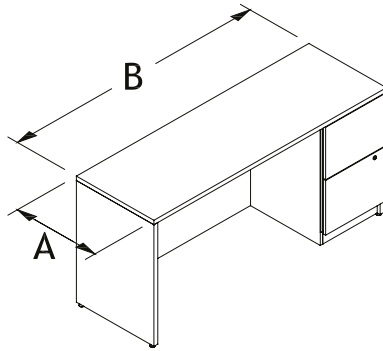
# Credenzas

## Credenzas with E or F Pedestal on Right

CER



CFR



### Manufacturing Standards

- E = 2 utility drawers and 1 file drawer;
- F = 2 file drawers;
- PVC extrusion for lateral opening of drawers;
- Lock;
- Flush modesty;
- Height: 29".

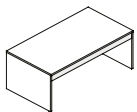
**Modesty:** If choice of modesty is not specified, the standard (FM) will be used, PM and SM modesties are available at no extra charge.

**Grommets:** Add ELPF grommets at no charge.

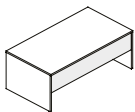
**Handles:** To add handles, please choose from the Logiflex list. Add \$14 retail each.

### Options

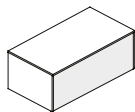
#### Modesty



10" high  
PM  
\$0

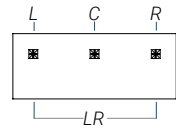


18-1/2" high  
SM  
\$0



Full height  
FM  
\$0

#### Grommet Position



#### Grommet Style



\$0



\$26 ea.

### How to Order

| ML<br>MLL | AB         | E<br>F   | PM<br>SM<br>FM (std) | GRL<br>GRR<br>GLR<br>GRC | CAPF<br>CBPF<br>CCPF<br>ELPF (std) | +                |
|-----------|------------|----------|----------------------|--------------------------|------------------------------------|------------------|
| series    | dimensions | pedestal | modesty              | grommet position         | grommet style                      | handles (p. 162) |

Example

|    |      |   |    |     |      |  |
|----|------|---|----|-----|------|--|
| ML | 2060 | E | FM | GRC | ELPF |  |
|----|------|---|----|-----|------|--|

### Prices

| Dimensions |      |      |
|------------|------|------|
| A B        | ML   | MLL  |
| 2054       | 1235 | 1445 |
| 2060       | 1282 | 1512 |
| 2066       | 1331 | 1559 |
| 2072       | 1373 | 1628 |
| 2084       | 1527 | 1746 |

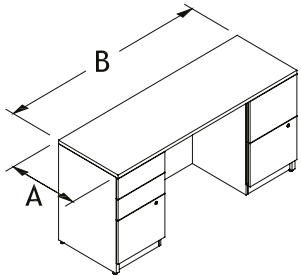
|      |      |      |
|------|------|------|
| 2454 | 1293 | 1535 |
| 2460 | 1331 | 1578 |
| 2466 | 1373 | 1641 |
| 2472 | 1410 | 1707 |
| 2484 | 1567 | 1827 |

**High Gloss Front:** Please request a quotation to obtain a price.

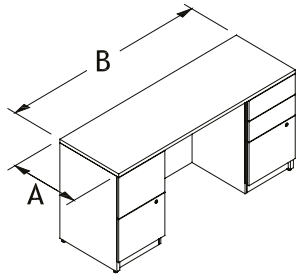
# Credenzas

## Credenzas with E or F Pedestal on Left and Right

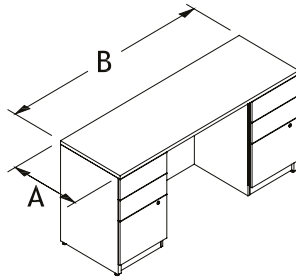
### CEF



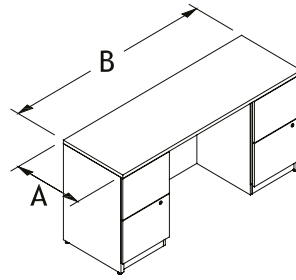
### CFE



### CEE



### CFF



### Manufacturing Standards

- E = 2 utility drawers and 1 file drawer;
- F = 2 file drawers;
- PVC extrusion for lateral opening of drawers;
- Locks;
- Flush modesty;
- Height: 29".

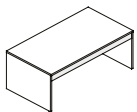
**Modesty:** If choice of modesty is not specified, the standard (FM) will be used, PM and SM modesties are available at no extra charge.

**Grommets:** Add ELPF grommets at no charge.

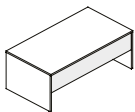
**Handles:** To add handles, please choose from the Logiflex list. Add \$14 retail each.

### Options

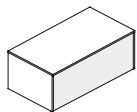
#### Modesty



10" high  
PM  
\$0

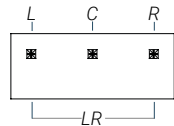


18-1/2" high  
SM  
\$0



Full height  
FM  
\$0

#### Grommet Position



#### Grommet Style



\$0      \$26 ea.

### Prices

| Dimensions |      |      |
|------------|------|------|
| A B        | ML   | MLL  |
| 2060       | 1667 | 1920 |
| 2066       | 1703 | 1972 |
| 2072       | 1751 | 2038 |
| 2084       | 1920 | 2157 |

|      |      |      |
|------|------|------|
| 2460 | 1677 | 1933 |
| 2466 | 1715 | 1993 |
| 2472 | 1765 | 2059 |
| 2484 | 1931 | 2175 |

### How to Order

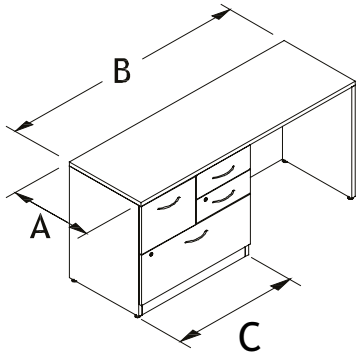
| ML<br>MLL  | E<br>F        | AB         | E<br>F         | PM<br>SM<br>FM (std) | GRL<br>GRR<br>GLR<br>GRC | CAPF<br>CBPF<br>CCPF<br>ELPF (std) |                  |
|------------|---------------|------------|----------------|----------------------|--------------------------|------------------------------------|------------------|
| series     | left pedestal | dimensions | right pedestal | modesty              | grommet position         | grommet style                      | handles (p. 162) |
| Example ML | E             | 2060       | E              | FM                   | GRC                      | ELPF                               |                  |

**High Gloss Front:** Please request a quotation to obtain a price.

# Credenzas

## Credenzas with Combination Pedestal on Left

### CCBCL



### Manufacturing Standards

- 2 utility drawers, one file drawer and one lateral file drawer;
- HJAB handles;
- Locks;
- Flush modesty;
- Height: 29".

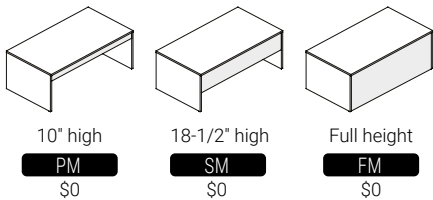
**Modesty:** If choice of modesty is not specified, the standard (FM) will be used, PM and SM modesties are available at no extra charge.

**Grommets:** Add ELPF grommets at no charge.

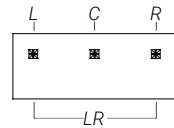
**Handles:** For handles other than HJAB standard, please choose from the Logiflex list at no extra charge.

### Options

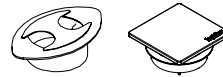
#### Modesty



#### Grommet Position



#### Grommet Style



\$0      \$26 ea.

### Prices

| Dimensions |      |      |    |     |
|------------|------|------|----|-----|
| A          | B    | C    | ML | MLL |
| 206030     | 1850 | 2178 |    |     |
| 206630     | 1903 | 2233 |    |     |
| 207230     | 1960 | 2297 |    |     |
| 208430     | 2069 | 2411 |    |     |
|            |      |      |    |     |
| 246030     | 1931 | 2266 |    |     |
| 246630     | 1980 | 2321 |    |     |
| 247230     | 2037 | 2385 |    |     |
| 248430     | 2159 | 2517 |    |     |
|            |      |      |    |     |
| 206036     | 1960 | 2294 |    |     |
| 206636     | 2007 | 2322 |    |     |
| 207236     | 2060 | 2408 |    |     |
| 208436     | 2176 | 2528 |    |     |
|            |      |      |    |     |
| 246036     | 2037 | 2379 |    |     |
| 246636     | 2091 | 2432 |    |     |
| 247236     | 2144 | 2497 |    |     |
| 248436     | 2264 | 2630 |    |     |

### How to Order

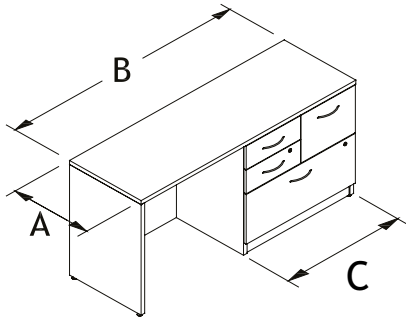
| ML<br>MLL | C              | AB         | PM<br>SM<br>FM (std) | GRL<br>GRR<br>GLR<br>GRC | CAPF<br>CBPF<br>CCPF<br>ELPF (std) | HJAB (std)       |      |
|-----------|----------------|------------|----------------------|--------------------------|------------------------------------|------------------|------|
| series    | pedestal width | dimensions | modesty              | grommet position         | grommet style                      | handles (p. 162) |      |
| ML        | CBCL           | 30         | 2060                 | FM                       | GRC                                | ELPF             | HJAB |

**High Gloss Front:** Please request a quotation to obtain a price.

# Credenzas

## Credenzas with Combination Pedestal on Right

CBCCL



### Manufacturing Standards

- 2 utility drawers, one file drawer and one lateral file drawer;
- HJAB handles;
- Locks;
- Flush modesty;
- Height: 29".

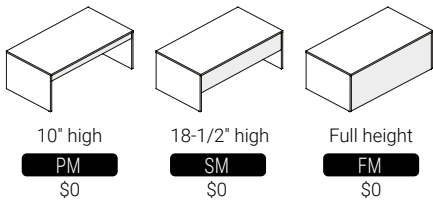
**Modesty:** If choice of modesty is not specified, the standard (FM) will be used, PM and SM modesties are available at no extra charge.

**Grommets:** Add ELPF grommets at no charge.

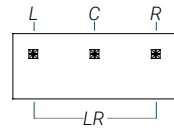
**Handles:** For handles other than HJAB standard, please choose from the Logiflex list at no extra charge.

### Options

#### Modesty



#### Grommet Position



#### Grommet Style



\$0      \$26 ea.

### Prices

| Dimensions |      |      |    |     |
|------------|------|------|----|-----|
| A          | B    | C    | ML | MLL |
| 206030     | 1850 | 2178 |    |     |
| 206630     | 1903 | 2233 |    |     |
| 207230     | 1960 | 2297 |    |     |
| 208430     | 2069 | 2411 |    |     |
|            |      |      |    |     |
| 246030     | 1931 | 2266 |    |     |
| 246630     | 1980 | 2321 |    |     |
| 247230     | 2037 | 2385 |    |     |
| 248430     | 2159 | 2517 |    |     |
|            |      |      |    |     |
| 206036     | 1960 | 2294 |    |     |
| 206636     | 2007 | 2322 |    |     |
| 207236     | 2060 | 2408 |    |     |
| 208436     | 2176 | 2528 |    |     |
|            |      |      |    |     |
| 246036     | 2037 | 2379 |    |     |
| 246636     | 2091 | 2432 |    |     |
| 247236     | 2144 | 2497 |    |     |
| 248436     | 2264 | 2630 |    |     |

**High Gloss Front:** Please request a quotation to obtain a price.

### How to Order

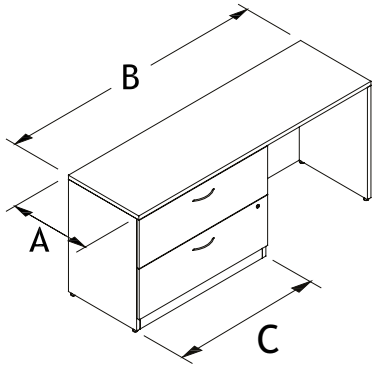
| ML<br>MLL | AB         | C                 | PM<br>SM<br>FM (std) | GRL<br>GRR<br>GLR<br>GRC | CAPF<br>CBPF<br>CCPF<br>ELPF (std) | HJAB (std)          |
|-----------|------------|-------------------|----------------------|--------------------------|------------------------------------|---------------------|
| series    | dimensions | pedestal<br>width | modesty              | grommet<br>position      | grommet<br>style                   | handles<br>(p. 162) |

**Example**    ML    2060    BCCL    30    FM    GRC    ELPF    HJAB

# Credenzas

## Credenzas with Lateral Filing Cabinet on Left

### CCLL



**Options**

**Modesty**

10" high  
**PM**  
\$0

18-1/2" high  
**SM**  
\$0

Full height  
**FM**  
\$0

**Grommet Position**

**Grommet Style**

\$0      \$26 ea.

**How to Order**

| ML<br>MLL  | C             | AB             | PM<br>SM<br><b>FM (std)</b> | GRL<br>GRR<br>GLR<br>GRC | CAPF<br>CBPF<br>CCPF<br><b>ELPF (std)</b> | HJAB (std)    |      |
|------------|---------------|----------------|-----------------------------|--------------------------|---|---------------|------|
| series     | left pedestal | pedestal width | dimensions                  | modesty                  | grommet position                          | grommet style |      |
| Example ML | CL            | 30             | 2060                        | FM                       | GRC                                       | ELPF          | HJAB |

handles (p. 162)
+

**Manufacturing Standards**

- 2 lateral file drawers;
- HJAB handles;
- Lock;
- 2 crossbars per file drawer;
- Flush modesty;
- Height: 29".

**Modesty:** If choice of modesty is not specified, the standard (FM) will be used, PM and SM modesties are available at no extra charge.

**Grommets:** Add ELPF grommets at no charge.

**Handles:** For handles other than HJAB standard, please choose from the Logiflex list at no extra charge.

**Prices**

| Dimensions |      |      |    |     |
|------------|------|------|----|-----|
| A          | B    | C    | ML | MLL |
| 206030     | 1473 | 1739 |    |     |
| 206630     | 1513 | 1804 |    |     |
| 207230     | 1551 | 1849 |    |     |
| 208430     | 1628 | 1923 |    |     |
|            |      |      |    |     |
| 246030     | 1551 | 1833 |    |     |
| 246630     | 1590 | 1888 |    |     |
| 247230     | 1628 | 1952 |    |     |
| 248430     | 1703 | 2072 |    |     |
|            |      |      |    |     |
| 206036     | 1487 | 1796 |    |     |
| 206636     | 1527 | 1850 |    |     |
| 207236     | 1567 | 1916 |    |     |
| 208436     | 1645 | 2036 |    |     |
|            |      |      |    |     |
| 246036     | 1567 | 1944 |    |     |
| 246636     | 1608 | 2001 |    |     |
| 247236     | 1645 | 2065 |    |     |
| 248436     | 1724 | 2184 |    |     |
|            |      |      |    |     |
| 206042     | 1662 | 1911 |    |     |
| 206642     | 1699 | 1965 |    |     |
| 207242     | 1747 | 2032 |    |     |
| 208442     | 1823 | 2144 |    |     |
|            |      |      |    |     |
| 246042     | 1771 | 2059 |    |     |
| 246642     | 1808 | 2115 |    |     |
| 247242     | 1849 | 2179 |    |     |
| 248442     | 1927 | 2297 |    |     |

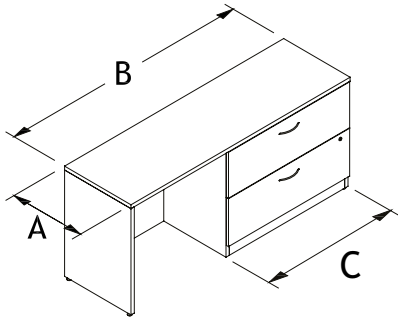
**High Gloss Front:** Please request a quotation to obtain a price.



# Credenzas

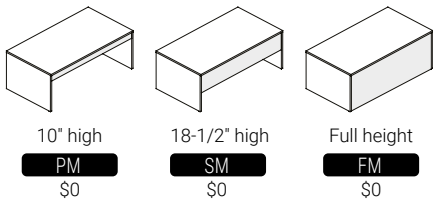
## Credenzas with Lateral Filing Cabinet on Right

### CCLR

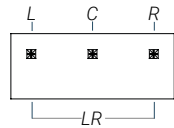


### Options

#### Modesty



#### Grommet Position



#### Grommet Style



\$0      \$26 ea.

### How to Order

| ML<br>MLL      | AB         | C              | PM<br>SM<br>FM (std) | GRL<br>GRR<br>GLR<br>GRC | CAPF<br>CBPF<br>CCPF<br>ELPF (std) | HJAB (std)    |                  |      |
|----------------|------------|----------------|----------------------|--------------------------|------------------------------------|---------------|------------------|------|
| series         | dimensions | right pedestal | pedestal width       | modesty                  | grommet position                   | grommet style | handles (p. 162) |      |
| <b>Example</b> | ML         | 2060           | CL                   | 30                       | FM                                 | GRC           | ELPF             | HJAB |

### Manufacturing Standards

- 2 lateral file drawers;
- HJAB handles;
- Lock;
- 2 crossbars per file drawer;
- Flush modesty;
- Height: 29".

**Modesty:** If choice of modesty is not specified, the standard (FM) will be used, PM and SM modesties are available at no extra charge.

**Grommets:** Add ELPF grommets at no charge.

**Handles:** For handles other than HJAB standard, please choose from the Logiflex list at no extra charge.

### Prices

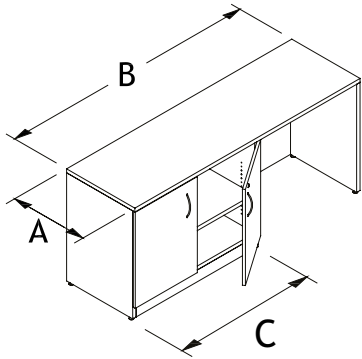
| Dimensions |      |      |    |     |
|------------|------|------|----|-----|
| A          | B    | C    | ML | MLL |
| 206030     | 1473 | 1739 |    |     |
| 206630     | 1513 | 1804 |    |     |
| 207230     | 1551 | 1849 |    |     |
| 208430     | 1628 | 1923 |    |     |
|            |      |      |    |     |
| 246030     | 1551 | 1833 |    |     |
| 246630     | 1590 | 1888 |    |     |
| 247230     | 1628 | 1952 |    |     |
| 248430     | 1703 | 2072 |    |     |
|            |      |      |    |     |
| 206036     | 1487 | 1796 |    |     |
| 206636     | 1527 | 1850 |    |     |
| 207236     | 1567 | 1916 |    |     |
| 208436     | 1645 | 2036 |    |     |
|            |      |      |    |     |
| 246036     | 1567 | 1944 |    |     |
| 246636     | 1608 | 2001 |    |     |
| 247236     | 1645 | 2065 |    |     |
| 248436     | 1724 | 2184 |    |     |
|            |      |      |    |     |
| 206042     | 1662 | 1911 |    |     |
| 206642     | 1699 | 1965 |    |     |
| 207242     | 1747 | 2032 |    |     |
| 208442     | 1823 | 2144 |    |     |
|            |      |      |    |     |
| 246042     | 1771 | 2059 |    |     |
| 246642     | 1808 | 2115 |    |     |
| 247242     | 1849 | 2179 |    |     |
| 248442     | 1927 | 2297 |    |     |

**High Gloss Front:** Please request a quotation to obtain a price.

# Credenzas

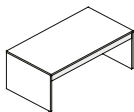
## Credenzas with Cabinet on Left

### CARL

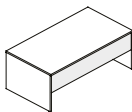


### Options

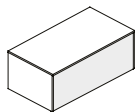
#### Modesty



10" high  
PM  
\$0

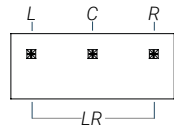


18-1/2" high  
SM  
\$0



Full height  
FM  
\$0

#### Grommet Position



#### Grommet Style



\$0      \$26 ea.

### How to Order

| ML<br>MLL  | C       | AB            | PM<br>SM<br>FM (std) | GRL<br>GRR<br>GLR<br>GRC | CAPF<br>CBPF<br>CCPF<br>ELPF (std) | HJAB (std)    |                  |
|------------|---------|---------------|----------------------|--------------------------|------------------------------------|---------------|------------------|
| series     | cabinet | cabinet width | dimensions           | modesty                  | grommet position                   | grommet style | handles (p. 162) |
| Example ML | AR      | 30            | 2060                 | FM                       | GRC                                | ELPF          | HJAB             |

### Manufacturing Standards

- 2 door cabinet;
- HJAB handles;
- Lock;
- 1 adjustable shelf;
- Flush modesty;
- Height: 29".

**Modesty:** If choice of modesty is not specified, the standard (FM) will be used, PM and SM modesties are available at no extra charge.

**Grommets:** Add ELPF grommets at no charge.

**Handles:** For handles other than HJAB standard, please choose from the Logiflex list at no extra charge.

### Prices

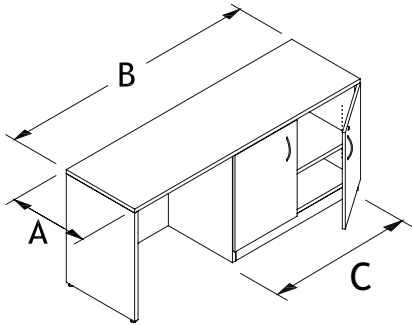
| Dimensions |      |      |
|------------|------|------|
| A B C      | ML   | MLL  |
| 206030     | 1323 | 1525 |
| 206630     | 1364 | 1582 |
| 207230     | 1405 | 1639 |
| 208430     | 1473 | 1746 |
|            |      |      |
| 246030     | 1342 | 1577 |
| 246630     | 1405 | 1654 |
| 247230     | 1456 | 1728 |
| 248430     | 1567 | 1875 |
|            |      |      |
| 206036     | 1364 | 1571 |
| 206636     | 1405 | 1625 |
| 207236     | 1450 | 1687 |
| 208436     | 1527 | 1796 |
|            |      |      |
| 246036     | 1405 | 1639 |
| 246636     | 1441 | 1693 |
| 247236     | 1487 | 1761 |
| 248436     | 1597 | 1877 |
|            |      |      |
| 206042     | 1437 | 1634 |
| 206642     | 1472 | 1687 |
| 207242     | 1518 | 1749 |
| 208442     | 1599 | 1872 |
|            |      |      |
| 246042     | 1474 | 1701 |
| 246642     | 1479 | 1733 |
| 247242     | 1558 | 1829 |
| 248442     | 1628 | 1949 |

**High Gloss Front:** Please request a quotation to obtain a price.

# Credenzas

## Credenzas with Cabinet on Right

### CARR



### Manufacturing Standards

- 2 door cabinet;
- HJAB handles;
- Lock;
- 1 adjustable shelf;
- Flush modesty;
- Height: 29".

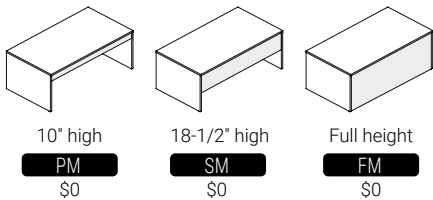
**Modesty:** If choice of modesty is not specified, the standard (FM) will be used, PM and SM modesties are available at no extra charge.

**Grommets:** Add ELPF grommets at no charge.

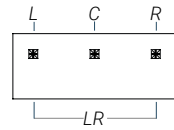
**Handles:** For handles other than HJAB standard, please choose from the Logiflex list at no extra charge.

### Options

#### Modesty



#### Grommet Position



#### Grommet Style



### How to Order

| ML<br>MLL  | AB         | C             | PM<br>SM<br>FM (std) | GRL<br>GRR<br>GLR<br>GRC | CAPF<br>CBPF<br>CCPF<br>ELPF (std) | HJAB (std)       |
|------------|------------|---------------|----------------------|--------------------------|------------------------------------|------------------|
| series     | dimensions | cabinet width | modesty              | grommet position         | grommet style                      | handles (p. 162) |
| Example ML | 2060       | AR            | 30                   | FM                       | GRC                                | ELPF HJAB        |

### Prices

| Dimensions | ML   | MLL  |
|------------|------|------|
| 206030     | 1323 | 1525 |
| 206630     | 1364 | 1582 |
| 207230     | 1405 | 1639 |
| 208430     | 1473 | 1746 |
| 246030     | 1342 | 1577 |
| 246630     | 1405 | 1654 |
| 247230     | 1456 | 1728 |
| 248430     | 1567 | 1875 |
| 206036     | 1364 | 1571 |
| 206636     | 1405 | 1625 |
| 207236     | 1450 | 1687 |
| 208436     | 1527 | 1796 |
| 246036     | 1405 | 1639 |
| 246636     | 1441 | 1693 |
| 247236     | 1487 | 1761 |
| 248436     | 1597 | 1877 |
| 206042     | 1437 | 1634 |
| 206642     | 1472 | 1687 |
| 207242     | 1518 | 1749 |
| 208442     | 1599 | 1872 |
| 246042     | 1474 | 1701 |
| 246642     | 1479 | 1733 |
| 247242     | 1558 | 1829 |
| 248442     | 1628 | 1949 |

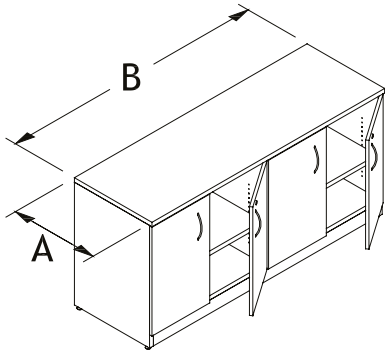
**High Gloss Front:** Please request a quotation to obtain a price.

# Credenzas



## Combination Credenzas with Cabinets

### ARAR



### Manufacturing Standards

- 2 cabinet sections;
- HJAB handles;
- Locks;
- 2 adjustable shelves;
- Height: 29".

**Handles:** For handles other than HJAB standard, please choose from the Logiflex list at no extra charge.

### Prices

| Dimensions |      |      |
|------------|------|------|
| A B        | ML   | MLL  |
| 2060       | 1599 | 1807 |
| 2066       | 1645 | 1890 |
| 2072       | 1695 | 1955 |
| 2084       | 1931 | 2103 |
| 2460       | 1645 | 1905 |
| 2466       | 1695 | 1980 |
| 2472       | 1751 | 2053 |
| 2484       | 1990 | 2198 |

**High Gloss Front:** Please request a quotation to obtain a price.

### How to Order

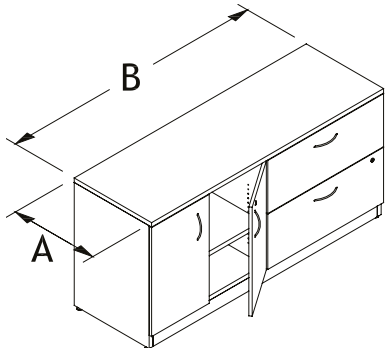
| ML<br>MLL         | AB         | ARAR | HJAB (std)          |
|-------------------|------------|------|---------------------|
| series            | dimensions | code | handles<br>(p. 162) |
| <b>Example</b> ML | 2060       | ARAR | HJAB                |

# Credenzas

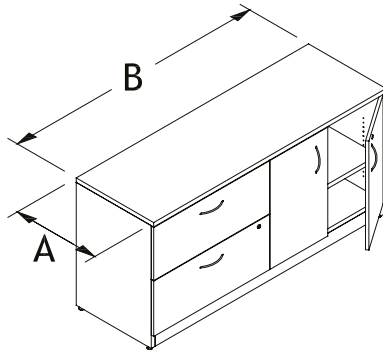


## Combination Credenzas with Lateral File Drawers and Cabinet

ARCL



CLAR



### Manufacturing Standards

- 1 lateral file drawer and 1 cabinet on left or right;
- HJAB handles;
- Locks;
- Adjustable shelf;
- 2 crossbars per file drawer;
- Height: 29".

**Handles:** For handles other than HJAB standard, please choose from the Logiflex list at no extra charge.

### Prices

| Dimensions |   |      |      |
|------------|---|------|------|
| A          | B | ML   | MLL  |
| 2060       |   | 1872 | 2200 |
| 2066       |   | 1911 | 2263 |
| 2072       |   | 1960 | 2338 |
| 2084       |   | 2060 | 2487 |
| 2460       |   | 2008 | 2387 |
| 2466       |   | 2051 | 2462 |
| 2472       |   | 2098 | 2538 |
| 2484       |   | 2255 | 2676 |

**High Gloss Front:** Please request a quotation to obtain a price.

### How to Order

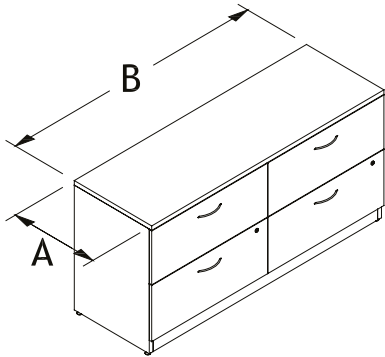
| ML<br>MLL         | AB         | ARCL<br>CLAR | HJAB (std)          |
|-------------------|------------|--------------|---------------------|
|                   |            |              |                     |
| series            | dimensions | code         | handles<br>(p. 162) |
| <b>Example</b> ML | 2060       | ARCL         | HJAB                |

# Credenzas



## Combination Credenzas with Lateral File Drawers

CLCL



### Manufacturing Standards

- 2 sets of lateral file drawers;
- HJAB handles;
- Locks;
- 2 crossbars per file drawer;
- Counterweight;
- Height: 29".

**Handles:** For handles other than HJAB standard, please choose from the Logiflex list at no extra charge.

### Prices

| Dimensions |      |      |
|------------|------|------|
| A B        | ML   | MLL  |
| 2060       | 2129 | 2369 |
| 2066       | 2234 | 2494 |
| 2072       | 2332 | 2621 |
| 2084       | 2617 | 2871 |
| 2460       | 2332 | 2621 |
| 2466       | 2440 | 2746 |
| 2472       | 2537 | 2874 |
| 2484       | 2814 | 3125 |

**High Gloss Front:** Please request a quotation to obtain a price.

### How to Order

| ML<br>MLL | AB         | CLCL | HJAB (std)<br>handles<br>(p. 162) |
|-----------|------------|------|-----------------------------------|
| series    | dimensions | code |                                   |

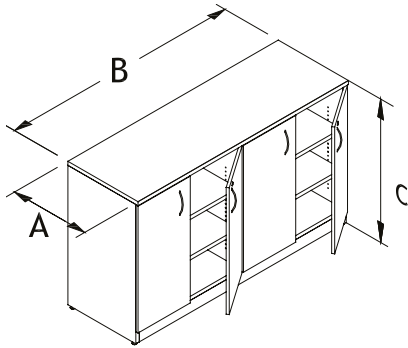
**Example** ML 2060 CLCL HJAB

# Credenzas



## Server Credenzas

### SCARAR



### Manufacturing Standards

- 2 cabinet sections;
- HJAB handles;
- Locks;
- 2 adjustable shelves per cabinet;
- Height: 36".

**Handles:** For handles other than HJAB standard, please choose from the Logiflex list at no extra charge.

### Prices

| Dimensions |      |      |
|------------|------|------|
| A          | B    | C    |
| 206036     | 2060 | 2300 |
| 206636     | 2164 | 2427 |
| 207236     | 2264 | 2553 |
|            |      |      |
| 246036     | 2264 | 2553 |
| 246636     | 2372 | 2676 |
| 247236     | 2470 | 2805 |

### How to Order

| ML<br>MLL      | AB         | C             | HJAB (std) |
|----------------|------------|---------------|------------|
|                |            | <b>SCARAR</b> | <b>36</b>  |
| series         | dimensions | code          | height     |
| <b>Example</b> | ML 2060    | <b>SCARAR</b> | <b>36</b>  |
|                |            |               | HJAB       |

+

handles  
(p. 162)

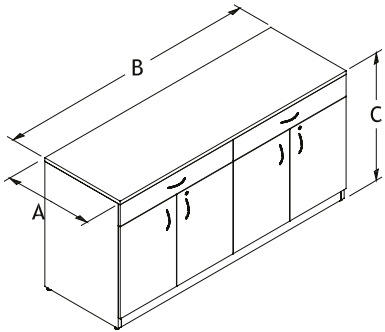
**High Gloss Front:** Please request a quotation to obtain a price.

# Credenzas



## Server Credenzas with Utility Drawers

SCU02



### Manufacturing Standards

- 2 cabinet sections with locks;
- HJAB handles;
- 1 adjustable shelf per cabinet;
- Height: 36".
- 2 or 4 drawers;

**Handles:** For handles other than HJAB standard, please choose from the Logiflex list at no extra charge.

### Prices

#### SCU02 - 2 drawers

| Dimensions |      |      |
|------------|------|------|
| A          | B    | C    |
| 206036     | 2484 | 2777 |
| 206636     | 2545 | 2841 |
| 207236     | 2608 | 2903 |
| 246036     | 2531 | 2823 |
| 246636     | 2595 | 2888 |
| 247236     | 2654 | 2952 |

### How to Order

| ML<br>MLL | AB         | C    | HJAB (std) | LKSN<br>LKBL (std)  |
|-----------|------------|------|------------|---------------------|
|           |            |      |            |                     |
| series    | dimensions | code | height     | handles<br>(p. 162) |

|                |    |      |       |    |      |      |
|----------------|----|------|-------|----|------|------|
| <b>Example</b> | ML | 2060 | SCU02 | 36 | HJAB | LKBL |
|----------------|----|------|-------|----|------|------|

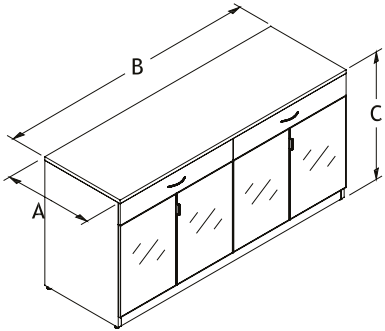
**High Gloss Front:** Please request a quotation to obtain a price.



# Credenzas

## Server Credenzas with Utility Drawers

SCU02FL



### Manufacturing Standards

- 2 cabinets with white glass (V4) and built-in aluminum handles;
- 2 or 4 drawers with HJA handles;
- Soft-close doors;
- Height: 36".
- 1 adjustable shelf per cabinet;

**Glass:** If the choice of glass is not specified, the standard is white glass (V4). For other choices of glass, consult the Logiflex color chart.

**Drawer Handles:** For handles other than HJA standard, please choose from the Logiflex list at no extra charge.

### Prices

#### SCU02FL - 2 drawers

| Dimensions |      |      |
|------------|------|------|
| A          | B    | C    |
| 206036     | 5532 | 5871 |
| 206636     | 5750 | 6089 |
| 207236     | 5967 | 6305 |

|        |      |      |
|--------|------|------|
| 246036 | 5587 | 5924 |
| 246636 | 5804 | 6141 |
| 247236 | 6021 | 6358 |

### How to Order

| ML<br>MLL | AB         | C       | KB<br>PL<br>V4 (std) | HJA (std)           |
|-----------|------------|---------|----------------------|---------------------|
|           |            | SCU02FL | 36                   |                     |
| series    | dimensions | code    | height               | glass               |
|           |            |         |                      | handles<br>(p. 162) |

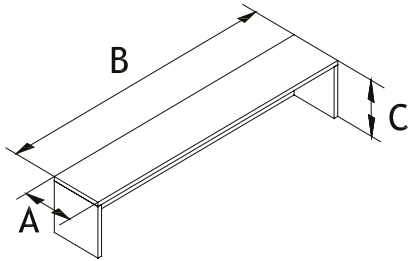
**Example** ML 2060 SCU02FL 36 V4 HJA

**High Gloss Front:** Please request a quotation to obtain a price.

# Credenzas

## Transaction Tops

RS



### Manufacturing Standards

- Shelf to put on top of work surfaces;
- Height: 13".

### Prices

| Dimensions |    |    | ML  | MLL |
|------------|----|----|-----|-----|
| A          | B  | C  |     |     |
| 1260       | 13 | 13 | 391 | 532 |
| 1266       | 13 | 13 | 414 | 570 |
| 1272       | 13 | 13 | 433 | 603 |
| 1284       | 13 | 13 | 469 | 667 |

### How to Order

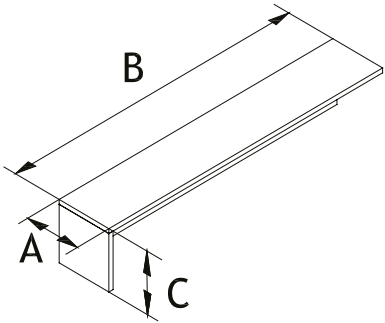
| ML     | AB         | RS        | C         |
|--------|------------|-----------|-----------|
| MLL    |            |           |           |
|        |            | <b>RS</b> | <b>13</b> |
| series | dimensions | code      | height    |

**Example** ML 1260 RS 13

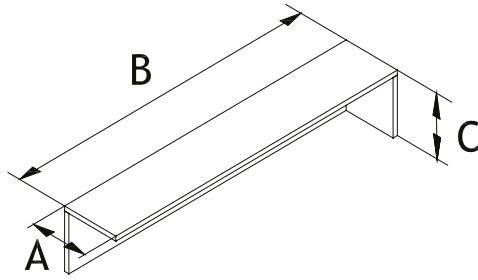
# Credenzas

## Transaction-top Extensions

RSL



RSR



### Manufacturing Standards

- Shelf to put on top of work surfaces;
- Height: 13".

### Prices

| Dimensions |    |   | ML  | MLL |
|------------|----|---|-----|-----|
| A          | B  | C |     |     |
| 124        | 21 | 3 | 315 | 416 |
| 124        | 8  | 3 | 332 | 447 |
| 125        | 4  | 3 | 355 | 485 |
| 126        | 0  | 3 | 373 | 513 |

### How to Order

| ML<br>MLL | AB         | RS        | C         | L<br>R          |
|-----------|------------|-----------|-----------|-----------------|
| series    | dimensions | code      | height    | return location |
|           |            | <b>RS</b> | <b>13</b> |                 |

**Example** ML 1242 RS 13 L

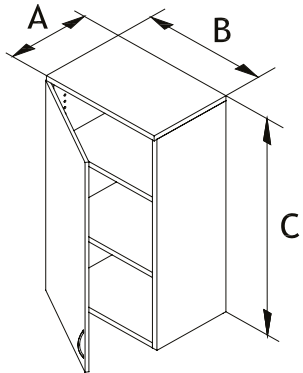


# Hutches and Wall Storage

## Cabinet Hutches with One Door

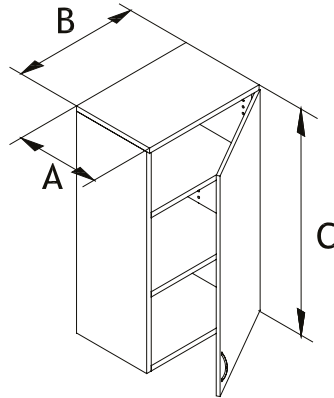
### HARL

Door opening to the left



### HARR

Door opening to the right



### Manufacturing Standards

- HJAB handle;
- Adjustable shelves.

**Number of adjustable shelves included:**

37" - 43"H: 2 shelves, 55"H: 3 shelves.

**Handle:** For a handle other than HJAB standard, please choose from the Logiflex list at no extra charge.

**Lock:** Offered as option. Black (LKBL) or satin nickel (LKSN). Match to handle color.

### Options

#### Lock



\$44 ea.

### Prices

| Dimensions |   |      |
|------------|---|------|
| A          | B | C ML |
| 161837     |   | 580  |
| 162037     |   | 624  |
| 162437     |   | 663  |
|            |   |      |
| 161843     |   | 637  |
| 162043     |   | 683  |
| 162443     |   | 720  |
|            |   |      |
| 161855     |   | 697  |
| 162055     |   | 739  |
| 162455     |   | 778  |

### How to Order

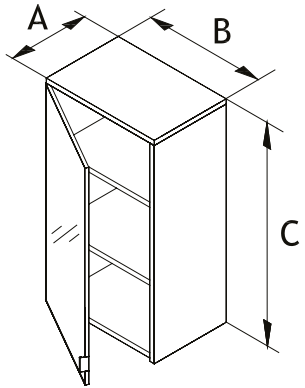
| ML                | AB         | HARL<br>HARR | C      | HJAB (std)<br>handles<br>(p. 162) | LKBL<br>LKSN<br>lock<br>(p. 171) |
|-------------------|------------|--------------|--------|-----------------------------------|----------------------------------|
| series            | dimensions | code         | height |                                   |                                  |
| <b>Example ML</b> | 1620       | HARL         | 43     | HJAB                              | LKBL                             |

# Hutches and Wall Storage

## Cabinet Hutches with One Glass Door

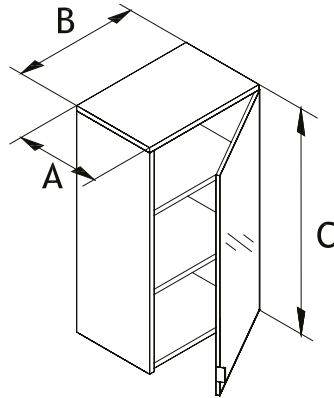
### HARLFL

Door opening to the left



### HARRFL

Door opening to the right



### Manufacturing Standards

- White glass (V4) doors with aluminum-frame and built-in handle;
- Soft-close door;
- Adjustable shelves.

#### Number of adjustable shelves included:

37" - 43"H: 2 shelves, 55"H: 3 shelves.

**Glass:** If the choice of glass is not specified, the standard is white glass (V4). For other choices of glass, consult the Logiflex color chart. Prices available upon quotation request.

### Prices

#### Dimensions

| A      | B | C | ML   |
|--------|---|---|------|
| 161837 |   |   | 1151 |
| 162037 |   |   | 1254 |
| 162437 |   |   | 1407 |
|        |   |   |      |
| 161843 |   |   | 1299 |
| 162043 |   |   | 1406 |
| 162443 |   |   | 1582 |
|        |   |   |      |
| 161855 |   |   | 1523 |
| 162055 |   |   | 1652 |
| 162455 |   |   | 1855 |

**High Gloss Front:** Please request a quotation to obtain a price.

### How to Order

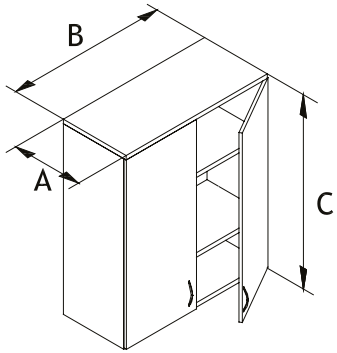
| ML     | AB         | HARLFL<br>HARRFL | C      | KB<br>PL<br>V4 (std) |
|--------|------------|------------------|--------|----------------------|
| series | dimensions | code             | height | glass                |

**Example** ML 1620 HARLFL 43 V4

# Hutches and Wall Storage

## Cabinet Hutches with Two Doors

### HAR



### Manufacturing Standards

- HJAB handles;
- Adjustable shelves.

**Number of adjustable shelves included:**

37" - 43"H: 2 shelves, 55"H: 3 shelves.

**Handles:** For handles other than HJAB standard, please choose from the Logiflex list at no extra charge.

**Lock:** Offered as option. Black (LKBL) or satin nickel (LKSN). Match to handle color.

### Options

#### Lock



\$44 ea.

### Prices

Dimensions

| A      | B | C | ML   |
|--------|---|---|------|
| 163037 |   |   | 1015 |
| 163637 |   |   | 1057 |
| 164237 |   |   | 1124 |

|        |  |  |      |
|--------|--|--|------|
| 163043 |  |  | 1130 |
| 163643 |  |  | 1174 |
| 164243 |  |  | 1239 |

|        |  |  |      |
|--------|--|--|------|
| 163055 |  |  | 1247 |
| 163655 |  |  | 1290 |
| 164255 |  |  | 1355 |

### How to Order

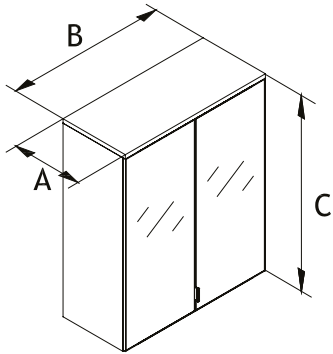
| ML                | AB         | HAR        | C      | HJAB (std)          | LKBL<br>LKSN     |
|-------------------|------------|------------|--------|---------------------|------------------|
| series            | dimensions | code       | height | handles<br>(p. 162) | lock<br>(p. 171) |
| <b>Example ML</b> | 1636       | <b>HAR</b> | 43     | HJAB                | LKSN             |

**High Gloss Front:** Please request a quotation to obtain a price.

# Hutches and Wall Storage

## Cabinet Hutches with Two Glass Doors

### HARFL



### Manufacturing Standards

- White glass (V4) doors with aluminum-frame and built-in handle;
- Soft-close doors;
- Adjustable shelves.

**Number of adjustable shelves included:**

37" - 43"H: 2 shelves, 55"H: 3 shelves.

**Glass:** If the choice of glass is not specified, the standard is white glass (V4). For other choices of glass, consult the Logiflex color chart. Prices available upon quotation request.

### Prices

| Dimensions |      |
|------------|------|
| A B C      | ML   |
| 163037     | 2102 |
| 163637     | 2147 |
| 164237     | 2339 |
|            |      |
| 163043     | 2163 |
| 163643     | 2433 |
| 164243     | 2643 |
|            |      |
| 163055     | 2658 |
| 163655     | 2973 |
| 164255     | 3237 |

### How to Order

| ML     | AB         | HARFL | C      | KB<br>PL<br>V4 (std) |
|--------|------------|-------|--------|----------------------|
| series | dimensions | code  | height | glass                |

**Example** ML 1636 HARFL 43 V4

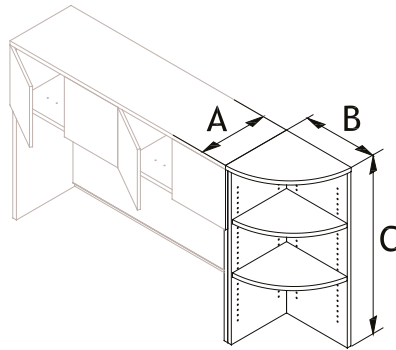
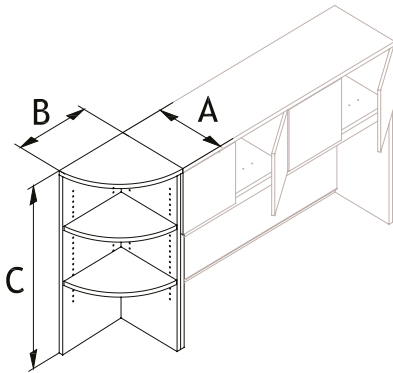


# Hutches and Wall Storage

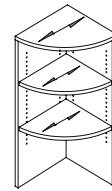
## Corner Hutches

HOBL

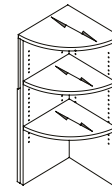
HOBR



### Wood Grain Direction



Left installation



Right installation

### Manufacturing Standards

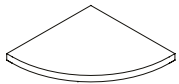
- Adjustable shelves.

**Number of adjustable shelves included:**  
37" - 43"H: 2 shelves, 55"H: 3 shelves.

**Additional shelves (SH):** see Appendix G for prices, p. 17

### Options

#### Additional Shelves



### Prices

#### Dimensions

| A      | B | C | ML  |
|--------|---|---|-----|
| 161837 |   |   | 635 |
| 161843 |   |   | 687 |
| 161855 |   |   | 734 |

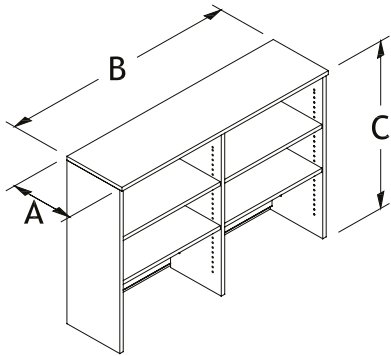
### How to Order

| ML                | AB         | HOBL<br>HOBR | C      | SH      |
|-------------------|------------|--------------|--------|---------|
| series            | dimensions | code         | height | shelves |
| <b>Example ML</b> | 1618       | HOBL         | 43     | SH      |

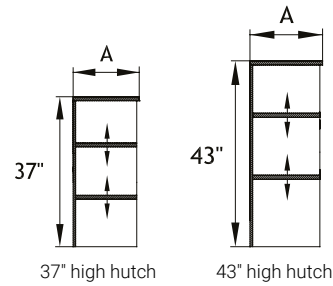
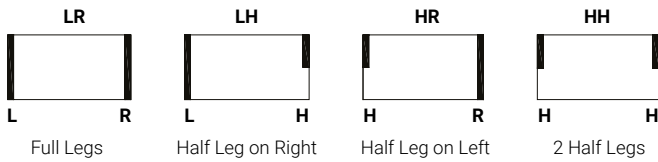
# Hutches and Wall Storage

## Adjustable Shelf Hutches

HAS



### Leg Bases



### Manufacturing Standards

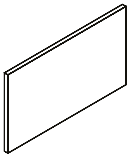
- Horizontal wood grain on back panel;
- Vertical middle panel on hutches 54" wide or more;

**Tackboards:** A fabric (TB) tackboard can be added.

**Leg Base:** If the choice of base is not specified, the standard is 2 full legs (LR). For 1/2 leg on left or right (HR or LH) add \$43 retail. For two half legs (HH), add \$86 retail. **Warning:** hutches with half legs (HH) must be secured to the wall or adjacent furniture so that they do not tip forward. Logiflex is not responsible for any accidents caused by incorrectly installed hutches.

### Options

#### Tackboard



### Prices

| Dimensions |   |      |
|------------|---|------|
| A          | B | C ML |
| 163037     |   | 801  |
| 163637     |   | 832  |
| 164237     |   | 932  |
| 164837     |   | 982  |

|        |      |
|--------|------|
| 165437 | 1049 |
| 166037 | 1087 |
| 166637 | 1156 |
| 167237 | 1293 |
| 168437 | 1537 |

|        |      |
|--------|------|
| 163043 | 856  |
| 163643 | 882  |
| 164243 | 1029 |
| 164843 | 1078 |

|        |      |
|--------|------|
| 165443 | 1146 |
| 166043 | 1175 |
| 166643 | 1252 |
| 167243 | 1389 |
| 168443 | 1655 |

### How to Order

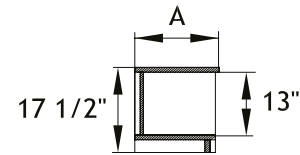
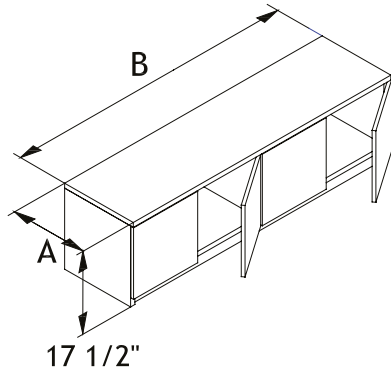
| ML     | AB         | HAS  | C      | TB                    | HH<br>HR<br>LH<br>LR (std) |
|--------|------------|------|--------|-----------------------|----------------------------|
| series | dimensions | code | height | tackboard<br>(p. 125) | leg base                   |

**Example** ML 1636 HAS 43 TB LR

# Hutches and Wall Storage

## Wall Hutches with Doors

HPW



### Manufacturing Standards

- Task light concealer;
- Z-bar wall mount.

#### Number of Doors:

30" - 42": 2 doors, 48" - 54": 3 doors, 60" - 72": 4 doors, 84": 5 doors.

**Locks:** Offered as option. Black (LKBL) or satin nickel (LKSN). Match to handle color.

**Dividers:** Offered as option. Pre-drilled holes for dividers (DVD), set of 3 wire dividers included.

**Handles:** To add handles, please choose from the Logiflex list. Add \$14 retail each.

**Attention:** Logiflex is not responsible for the installation of wall hutches. This responsibility belongs entirely to the distributor or the client.

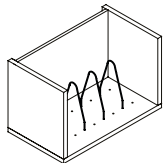
### Options

#### Lock



\$44 ea.

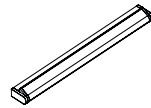
#### Pre-drilled Holes with 3 Dividers



DVD

\$29

#### Task Light



\$\$

### Prices

#### Dimensions

| A    | B | ML   |
|------|---|------|
| 1630 |   | 559  |
| 1636 |   | 635  |
| 1642 |   | 715  |
| 1648 |   | 795  |
| 1654 |   | 900  |
| 1660 |   | 982  |
| 1666 |   | 1066 |
| 1672 |   | 1109 |
| 1684 |   | 1210 |

### How to Order

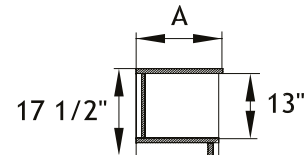
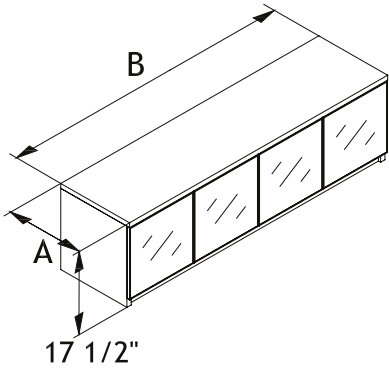
| ML                | AB         | HPW        | LKBL<br>LKSN     | DVD                  | T524<br>T536<br>T548<br>DEL20 |                        |
|-------------------|------------|------------|------------------|----------------------|-------------------------------|------------------------|
| series            | dimensions | code       | lock<br>(p. 171) | dividers<br>(p. 170) | handles<br>(p. 162)           | task light<br>(p. 178) |
| <b>Example ML</b> | 1636       | <b>HPW</b> | LKSN             | DVD                  |                               |                        |

**High Gloss Front:** Please request a quotation to obtain a price.

# Hutches and Wall Storage

## Wall Hutches with Glass Doors

### HPFLW



### Manufacturing Standards

- White glass (V4) doors with aluminum-frame;
- Soft-close doors;
- Task light concealer;
- Z-bar wall mount.

#### Number of Doors:

30" - 42": 2 doors, 48" - 54": 3 doors, 60" - 72": 4 doors, 84": 5 doors.

**Glass:** If the choice of glass is not specified, the standard is white glass (V4). For other choices of glass, consult the Logiflex color chart. Same price for all.

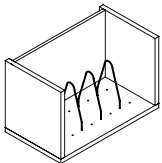
**Dividers:** Offered as option. Pre-drilled holes for dividers (DVD), set of 3 wire dividers included.

**Handles:** Optional built-in aluminum handles are available. Add \$14 retail each.

**Attention:** Logiflex is not responsible for the installation of wall hutches. This responsibility belongs entirely to the distributor or the client.

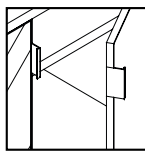
### Options

#### Pre-drilled Holes with 3 Dividers



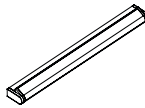
**DVD**  
\$29

#### Handles



**H001**  
\$14 ea.

#### Task Light



\$\$

### Prices

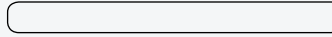
#### Dimensions

| A    | B | ML   |
|------|---|------|
| 1630 |   | 989  |
| 1636 |   | 1121 |
| 1642 |   | 1290 |
| 1648 |   | 1500 |
| 1654 |   | 1715 |
| 1660 |   | 1894 |
| 1666 |   | 2069 |
| 1672 |   | 2196 |
| 1684 |   | 2496 |

### How to Order

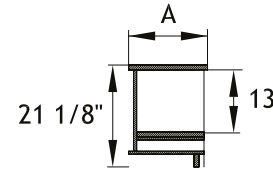
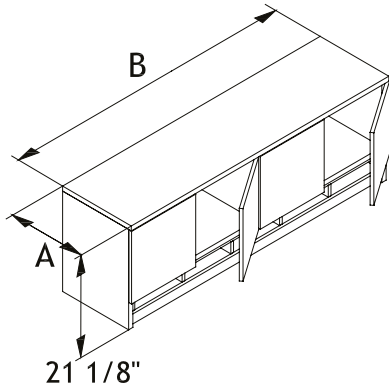
| ML                | AB         | HPFLW        | KB<br>PL<br>V4 (std) | DVD      | H001    | T524<br>T536<br>T548<br>DEL20 |
|-------------------|------------|--------------|----------------------|----------|---------|-------------------------------|
| series            | dimensions | code         | glass                | dividers | handles | task light<br>(p. 178)        |
| <b>Example ML</b> | 1636       | <b>HPFLW</b> | V4                   | DVD      | H001    |                               |

# Hutches and Wall Storage



## Wall Hutches with Doors and Pigeon Hole Unit

### HPPGW



### Manufacturing Standards

- Pigeon hole compartment interiors are 2-3/8";
- Task light concealer;
- Z-bar wall mount.

#### Number of Doors:

30" - 42": 2 doors, 48" - 54": 3 doors, 60" - 72": 4 doors, 84": 5 doors.

**Locks:** Offered as option. Black (LKBL) or satin nickel (LKSN). Match to handle color.

**Dividers:** Offered as option. Pre-drilled holes for dividers (DVD), set of 3 wire dividers included.

**Handles:** To add handles, please choose from the Logiflex list. Add \$14 retail each.

**Attention:** Logiflex is not responsible for the installation of wall hutches. This responsibility belongs entirely to the distributor or the client.

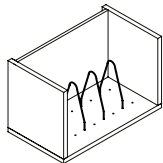
### Options

#### Lock



\$44 ea.

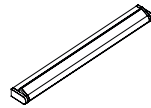
#### Pre-drilled Holes with 3 Dividers



DVD

\$29

#### Task Light



\$\$

### How to Order

| ML                | AB         | HPPGW        | LKBL<br>LKSN     | DVD      | T524<br>T536<br>T548<br>DEL20 |                        |
|-------------------|------------|--------------|------------------|----------|-------------------------------|------------------------|
| series            | dimensions | code         | lock<br>(p. 171) | dividers | handles<br>(p. 162)           | task light<br>(p. 178) |
| <b>Example ML</b> | 1636       | <b>HPPGW</b> | LKSN             | DVD      |                               |                        |

### Prices

#### Dimensions

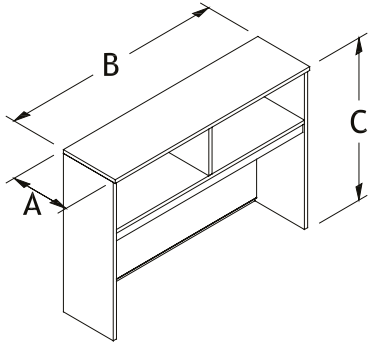
| A    | B | ML   |
|------|---|------|
| 1630 |   | 932  |
| 1636 |   | 1010 |
| 1642 |   | 1127 |
| 1648 |   | 1206 |
| 1654 |   | 1373 |
| 1660 |   | 1452 |
| 1666 |   | 1582 |
| 1672 |   | 1623 |
| 1684 |   | 1785 |

**High Gloss Front:** Please request a quotation to obtain a price.

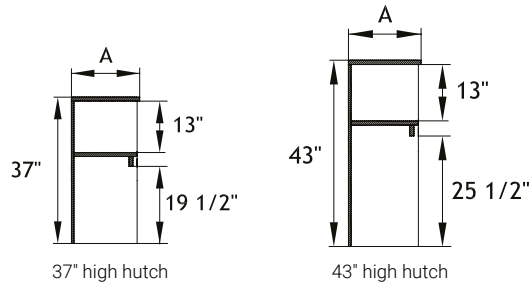
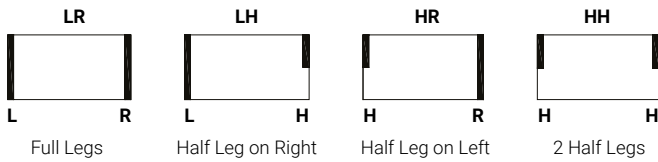
# Hutches and Wall Storage

## Open Hutches

### HO



#### Leg Bases



### Manufacturing Standards

- Horizontal wood grain on back panel;
- Task light concealer;
- Vertical middle panel on hutches 54" wide or more.

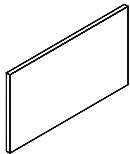
**Tackboards:** A fabric (TB) tackboard can be added.

**Leg Base:** If the choice of base is not specified, the standard is 2 full legs (LR). For 1/2 leg on left or right (HR or LH) add \$43 retail. For two half legs (HH), add \$86 retail. **Warning:** hutches with half legs (HH) must be secured to the wall or adjacent furniture so that they do not tip forward. Logiflex is not responsible for any accidents caused by incorrectly installed hutches.

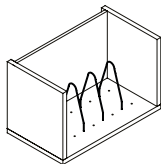
**Dividers:** Offered as option. Pre-drilled holes for dividers (DVD), set of 3 wire dividers included.

### Options

#### Tackboard



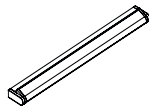
#### Pre-drilled Holes with 3 Dividers



DVD

\$29

#### Task Light



SS

### Prices

| Dimensions |      |
|------------|------|
| A B C      | ML   |
| 163037     | 559  |
| 163637     | 620  |
| 164237     | 678  |
| 164837     | 748  |
| 165437     | 823  |
| 166037     | 861  |
| 166637     | 900  |
| 167237     | 982  |
| 168437     | 1175 |

|        |      |
|--------|------|
| 163043 | 639  |
| 163643 | 692  |
| 164243 | 756  |
| 164843 | 817  |
| 165443 | 895  |
| 166043 | 919  |
| 166643 | 957  |
| 167243 | 1156 |
| 168443 | 1323 |

### How to Order

| ML     | AB         | HO   | C      | TB                 | LR (std) | DVD      | T524<br>T536<br>T548<br>DEL20 |
|--------|------------|------|--------|--------------------|----------|----------|-------------------------------|
| series | dimensions | code | height | tackboard (p. 125) | leg base | dividers | task light (p. 178)           |

#### Example

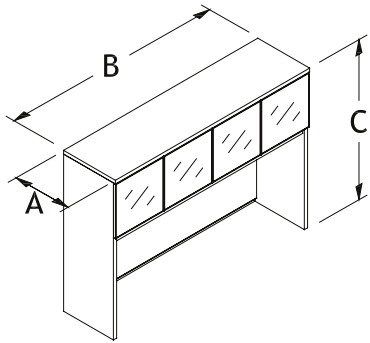
|    |      |    |    |    |    |     |  |
|----|------|----|----|----|----|-----|--|
| ML | 1636 | HO | 43 | TB | LR | DVD |  |
|----|------|----|----|----|----|-----|--|



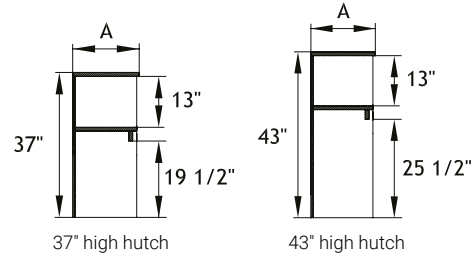
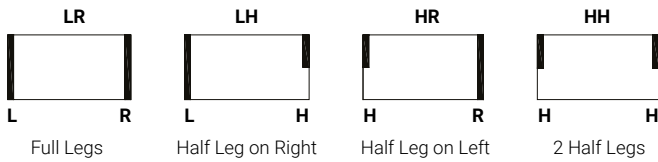
# Hutches and Wall Storage

## Desk Hutches with Glass Doors

### HPFL

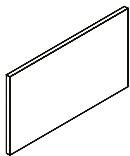


#### Leg Bases

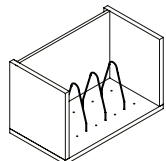


### Options

#### Tackboard

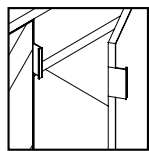


#### Pre-drilled Holes with 3 Dividers



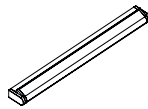
**DVD**  
\$29

#### Handles



**H001**  
\$14 ea.

#### Task Light



SS

### How to Order

| ML                | AB         | HPFL        | C      | TB                    | LR (std)<br>HH<br>HR<br>LH | V4 (std)<br>KB<br>PL | DVD      | H001    | T524<br>T536<br>T548<br>DEL20 |
|-------------------|------------|-------------|--------|-----------------------|----------------------------|----------------------|----------|---------|-------------------------------|
| series            | dimensions | code        | height | tackboard<br>(p. 125) | leg base                   | glass                | dividers | handles | task light<br>(p. 178)        |
| <b>Example ML</b> | 1636       | <b>HPFL</b> | 43     | TB                    | LR                         | V4                   | DVD      | H001    |                               |

### Manufacturing Standards

- White glass (V4) doors with aluminum-frame;
- Soft-close doors;
- Horizontal wood grain on back panel;
- Task light concealer;

#### Number of Doors:

30" - 42": 2 doors, 48" - 54": 3 doors, 60" - 72": 4 doors, 84": 5 doors.

**Tackboards:** A fabric (TB) tackboard can be added.

**Leg Base:** If the choice of base is not specified, the standard is 2 full legs (LR). For 1/2 leg on left or right (HR or LH) add \$43 retail. For two half legs (HH), add \$86 retail. **Warning:** hutches with half legs (HH) must be secured to the wall or adjacent furniture so that they do not tip forward. Logiflex is not responsible for any accidents caused by incorrectly installed hutches.

**Glass:** If the choice of glass is not specified, the standard is white glass (V4). For other choices of glass, consult the Logiflex color chart. Prices available upon quotation request.

**Dividers:** Offered as option. Pre-drilled holes for dividers (DVD), set of 3 wire dividers included.

**Handles:** Optional built-in aluminum handles are available. Add \$14 retail each.

### Prices

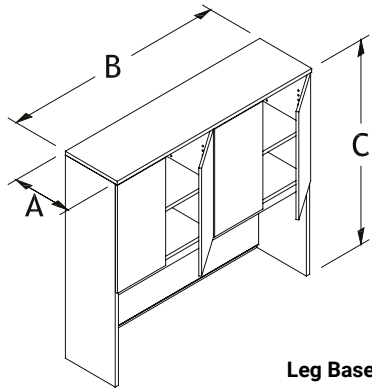
| Dimensions |      |
|------------|------|
| A B C      | ML   |
| 163037     | 1308 |
| 163637     | 1453 |
| 164237     | 1579 |
| 164837     | 1790 |
| 165437     | 2155 |
| 166037     | 2244 |
| 166637     | 2378 |
| 167237     | 2595 |
| 168437     | 3325 |
|            |      |
| 163043     | 1441 |
| 163643     | 1615 |
| 164243     | 1738 |
| 164843     | 1949 |
| 165443     | 2309 |
| 166043     | 2403 |
| 166643     | 2534 |
| 167243     | 2793 |
| 168443     | 3573 |



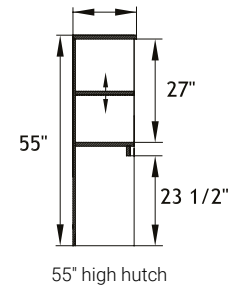
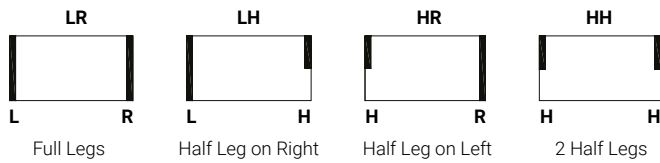
# Hutches and Wall Storage

## Desk Hutches with Doors

### HPA



Leg Bases



#### Manufacturing Standards

- Horizontal wood grain on back panel;
- Task light concealer;
- One adjustable shelf per section;

**Number of Doors:**  
30" - 42": 2 doors, 48" - 54": 3 doors, 60" - 72": 4 doors, 84": 5 doors.

**Tackboards:** A fabric (TB) tackboard can be added.

**Leg Base:** If the choice of base is not specified, the standard is 2 full legs (LR). For 1/2 leg on left or right (HR or LH) add \$43 retail. For two half legs (HH), add \$86 retail. **Warning:** hutches with half legs (HH) must be secured to the wall or adjacent furniture so that they do not tip forward. Logiflex is not responsible for any accidents caused by incorrectly installed hutches.

**Locks:** Offered as option. Black (LKBL) or satin nickel (LKSN). Match to handle color.

**Dividers:** Offered as option. Pre-drilled holes for dividers (DVD), set of 3 wire dividers included.

**Handles:** To add handles, please choose from the Logiflex list. Add \$14 retail each.

#### Options

| Tackboard | Lock     | Pre-drilled Holes with 3 Dividers | Task Light |
|-----------|----------|-----------------------------------|------------|
|           |          |                                   |            |
|           | \$44 ea. | DVD<br>\$29                       | SS         |

#### Prices

| Dimensions |   |   |      |
|------------|---|---|------|
| A          | B | C | ML   |
| 163055     |   |   | 1456 |
| 163655     |   |   | 1551 |
| 164255     |   |   | 1677 |
| 164855     |   |   | 1812 |
| 165455     |   |   | 2115 |
| 166055     |   |   | 2224 |
| 166655     |   |   | 2353 |
| 167255     |   |   | 2410 |
| 168455     |   |   | 2633 |

#### How to Order

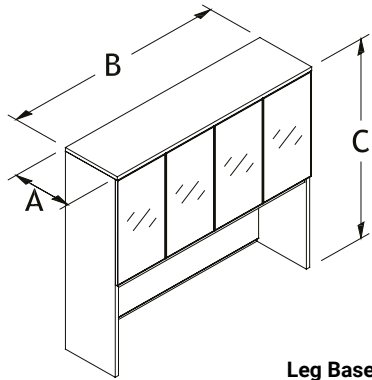
|                   |            |            |           |                    |                            |               |          |                  |                               |
|-------------------|------------|------------|-----------|--------------------|----------------------------|---------------|----------|------------------|-------------------------------|
|                   | AB         |            | C         | TB                 | HH<br>HR<br>LH<br>LR (std) | LKBL<br>LKSN  | DVD      |                  | T524<br>T536<br>T548<br>DEL20 |
| <b>ML</b>         |            | <b>HPA</b> | <b>55</b> |                    |                            |               |          |                  |                               |
| series            | dimensions | code       | height    | tackboard (p. 125) | leg base                   | lock (p. 171) | dividers | handles (p. 162) | task light (p. 178)           |
| <b>Example ML</b> | 1636       | <b>HPA</b> | <b>55</b> | TB                 | LR                         | LKSN          | DVD      |                  |                               |

**High Gloss Front:** Please request a quotation to obtain a price.

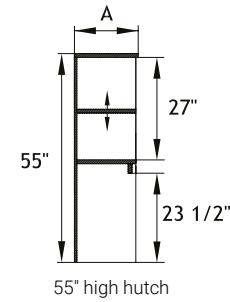
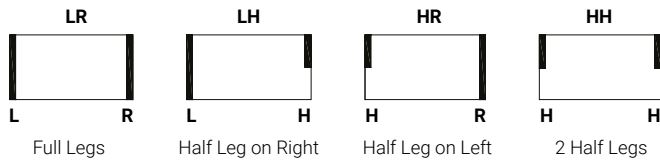
# Hutches and Wall Storage

## Desk Hutches with Glass Doors

### HPAFL



Leg Bases



### Manufacturing Standards

- White glass (V4) doors with aluminum-frame;
- Horizontal wood grain on back panel;
- Soft-close doors;
- Task light concealer;
- One adjustable shelf per section;

#### Number of Doors:

30" - 42": 2 doors, 48" - 54": 3 doors, 60" - 72": 4 doors, 84": 5 doors.

**Tackboards:** A fabric (TB) tackboard can be added.

**Leg Base:** If the choice of base is not specified, the standard is 2 full legs (LR). For 1/2 leg on left or right (HR or LH) add \$43 retail. For two half legs (HH), add \$86 retail. **Warning:** hutches with half legs (HH) must be secured to the wall or adjacent furniture so that they do not tip forward. Logiflex is not responsible for any accidents caused by incorrectly installed hutches.

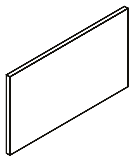
**Glass:** If the choice of glass is not specified, the standard is white glass (V4). For other choices of glass, consult the Logiflex color chart. Prices available upon quotation request.

**Dividers:** Offered as option. Pre-drilled holes for dividers (DVD), set of 3 wire dividers included.

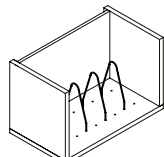
**Handles:** Optional built-in aluminum handles are available. Add \$14 retail each.

### Options

#### Tackboard

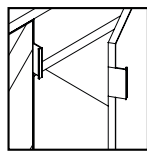


#### Pre-drilled Holes with 3 Dividers



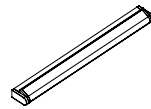
DVD  
\$29

#### Handles



H001  
\$14 ea.

#### Task Light



SS

### How to Order

| ML         | AB         | HPAFL | C      | TB                 | LR (std) | V4 (std) | DVD      | H001    | T524<br>T536<br>T548<br>DEL20 |
|------------|------------|-------|--------|--------------------|----------|----------|----------|---------|-------------------------------|
| series     | dimensions | code  | height | tackboard (p. 125) | leg base | glass    | dividers | handles | task light (p. 178)           |
| Example ML | 1636       | HPAFL | 55     | TB                 | LR       | V4       | DVD      | H001    |                               |

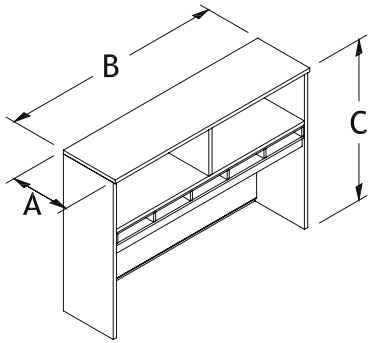
### Prices

| Dimensions |      |
|------------|------|
| A B C      | ML   |
| 163055     | 2469 |
| 163655     | 2725 |
| 164255     | 3041 |
| 164855     | 3355 |
| 165455     | 3337 |
| 166055     | 4150 |
| 166655     | 4450 |
| 167255     | 4686 |
| 168455     | 5256 |

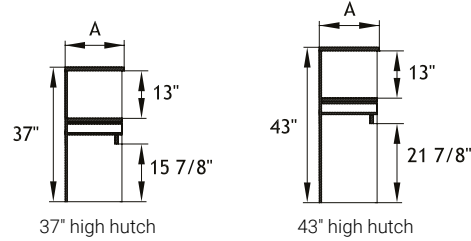
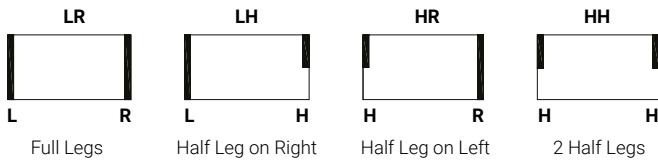
# Hutches and Wall Storage

## Open Hutches with Pigeon Hole Unit

### HOPG



#### Leg Bases



### Manufacturing Standards

- Horizontal wood grain on back panel;
- Vertical middle panel on hutches 54" wide or more;
- Pigeon hole compartment interiors are 2-3/8";
- Task light concealer;

**Number of Compartments:**  
 24" - 31": 2 compartments, 32" - 50": 3 compartments, 51" - 70": 5 compartments, 71" - 84": 7 compartments.

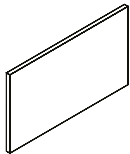
**Tackboards:** A fabric (TB) tackboard can be added.

**Leg Base:** If the choice of base is not specified, the standard is 2 full legs (LR). For 1/2 leg on left or right (HR or LH) add \$43 retail. For two half legs (HH), add \$86 retail. **Warning:** hutches with half legs (HH) must be secured to the wall or adjacent furniture so that they do not tip forward. Logiflex is not responsible for any accidents caused by incorrectly installed hutches.

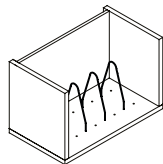
**Dividers:** Offered as option. Pre-drilled holes for dividers (DVD), set of 3 wire dividers included.

### Options

#### Tackboard



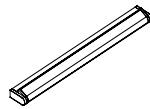
#### Pre-drilled Holes with 3 Dividers



DVD

\$29

#### Task Light



\$\$

### Prices

| Dimensions |      |
|------------|------|
| A B C      | ML   |
| 163037     | 930  |
| 163637     | 992  |
| 164237     | 1090 |
| 164837     | 1158 |
| 165437     | 1293 |
| 166037     | 1329 |
| 166637     | 1415 |
| 167237     | 1551 |
| 168437     | 1735 |

|        |      |
|--------|------|
| 163043 | 1013 |
| 163643 | 1033 |
| 164243 | 1171 |
| 164843 | 1231 |
| 165443 | 1364 |
| 166043 | 1388 |
| 166643 | 1475 |
| 167243 | 1677 |
| 168443 | 1843 |

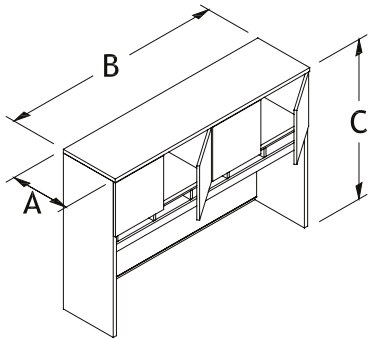
### How to Order

| ML                | AB         | HOPG        | C      | TB                 | LR (std) | DVD      | T524<br>T536<br>T548<br>DEL20 |
|-------------------|------------|-------------|--------|--------------------|----------|----------|-------------------------------|
| series            | dimensions | code        | height | tackboard (p. 125) | leg base | dividers | task light (p. 178)           |
| <b>Example ML</b> | 1636       | <b>HOPG</b> | 43     | TB                 | LR       | DVD      |                               |

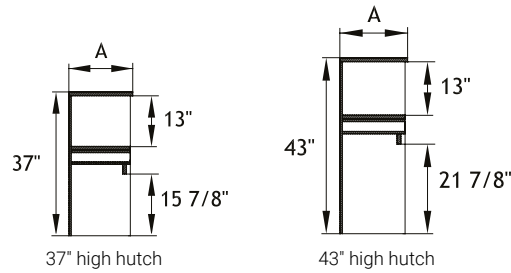
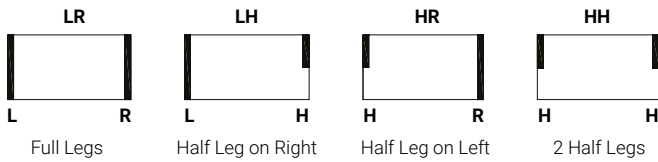
# Hutches and Wall Storage

## Desk Hutches with Doors and Pigeon Hole Unit

### HPPG



#### Leg Bases



### Manufacturing Standards

- Horizontal wood grain on back panel;
- Pigeon hole compartment interiors are 2-3/8";
- Task light concealer;

#### Number of Compartments:

24" - 31": 2 compartments, 32" - 50": 3 compartments, 51" - 70": 5 compartments, 71" - 84": 7 compartments.

#### Number of Doors:

30" - 42": 2 doors, 48" - 54": 3 doors, 60" - 72": 4 doors, 84": 5 doors.

**Tackboards:** A fabric (TB) tackboard can be added.

**Leg Base:** If the choice of base is not specified, the standard is 2 full legs (LR). For 1/2 leg on left or right (HR or LH) add \$43 retail. For two half legs (HH), add \$86 retail. **Warning:** hutches with half legs (HH) must be secured to the wall or adjacent furniture so that they do not tip forward. Logiflex is not responsible for any accidents caused by incorrectly installed hutches.

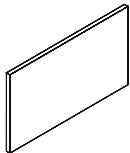
**Locks:** Offered as option. Black (LKBL) or satin nickel (LKSN). Match to handle color.

**Dividers:** Offered as option. Pre-drilled holes for dividers (DVD), set of 3 wire dividers included.

**Handles:** To add handles, please choose from the Logiflex list. Add \$14 retail each.

### Options

#### Tackboard

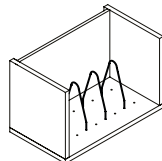


#### Lock



\$44 ea.

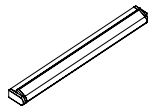
#### Pre-drilled Holes with 3 Dividers



DVD

\$29

#### Task Light



\$\$

### How to Order

| ML     | AB         | HPPG | C      | TB                    | LR (std) | LKBL<br>LKSN     | DVD      | handles<br>(p. 162) | task light<br>(p. 178) |
|--------|------------|------|--------|-----------------------|----------|------------------|----------|---------------------|------------------------|
| series | dimensions | code | height | tackboard<br>(p. 125) | leg base | lock<br>(p. 171) | dividers |                     |                        |

#### Example

|    |      |      |    |    |    |      |     |  |  |
|----|------|------|----|----|----|------|-----|--|--|
| ML | 1636 | HPPG | 43 | TB | LR | LKSN | DVD |  |  |
|----|------|------|----|----|----|------|-----|--|--|

### Prices

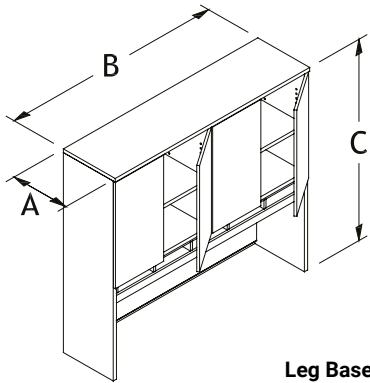
| Dimensions |      |
|------------|------|
| A B C      | ML   |
| 163037     | 1149 |
| 163637     | 1241 |
| 164237     | 1317 |
| 164837     | 1404 |
| 165437     | 1718 |
| 166037     | 1707 |
| 166637     | 1801 |
| 167237     | 1897 |
| 168437     | 2069 |
|            |      |
| 163043     | 1235 |
| 163643     | 1287 |
| 164243     | 1376 |
| 164843     | 1474 |
| 165443     | 1776 |
| 166043     | 1808 |
| 166643     | 1883 |
| 167243     | 1996 |
| 168443     | 2137 |

**High Gloss Front:** Please request a quotation to obtain a price.

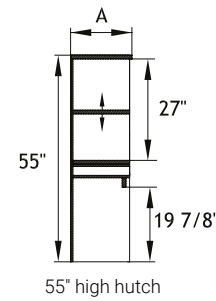
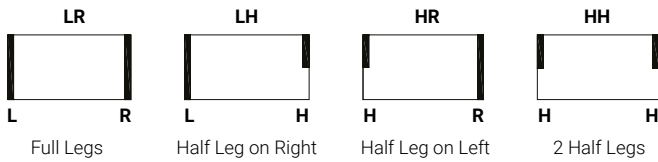
# Hutches and Wall Storage

## Desk Hutches with Doors and Pigeon Hole Unit

### HPAPG

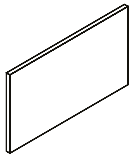


Leg Bases



### Options

#### Tackboard

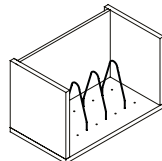


#### Lock



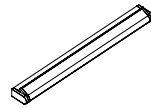
\$44 ea.

#### Pre-drilled Holes with 3 Dividers



DVD  
\$29

#### Task Light



\$\$

### How to Order

| ML     | AB         | HPAPG | C      | TB                    | HH<br>HR<br>LH<br>LR (std) | LKBL<br>LKSN     | DVD      | T524<br>T536<br>T548<br>DEL20 |                        |
|--------|------------|-------|--------|-----------------------|----------------------------|------------------|----------|-------------------------------|------------------------|
| series | dimensions | code  | height | tackboard<br>(p. 125) | leg base                   | lock<br>(p. 171) | dividers | handles<br>(p. 162)           | task light<br>(p. 178) |

**Example**    ML    1636    HPAPG    55    TB    LR    LKSN    DVD

### Manufacturing Standards

- Horizontal wood grain on back panel;
- Pigeon hole compartment interiors are 2-3/8";
- Task light concealer;

**Number of Compartments:**  
24" - 31": 2 compartments, 32" - 50": 3 compartments, 51" - 70": 5 compartments, 71" - 84": 7 compartments.

**Number of Doors:**  
30" - 42": 2 doors, 48" - 54": 3 doors, 60" - 72": 4 doors, 84": 5 doors.

**Tackboards:** A fabric (TB) tackboard can be added.

**Leg Base:** If the choice of base is not specified, the standard is 2 full legs (LR). For 1/2 leg on left or right (HR or LH) add \$43 retail. For two half legs (HH), add \$86 retail. **Warning:** hutches with half legs (HH) must be secured to the wall or adjacent furniture so that they do not tip forward. Logiflex is not responsible for any accidents caused by incorrectly installed hutches.

**Locks:** Offered as option. Black (LKBL) or satin nickel (LKSN). Match to handle color.

**Dividers:** Offered as option. Pre-drilled holes for dividers (DVD), set of 3 wire dividers included.

**Handles:** To add handles, please choose from the Logiflex list. Add \$14 retail each.

### Prices

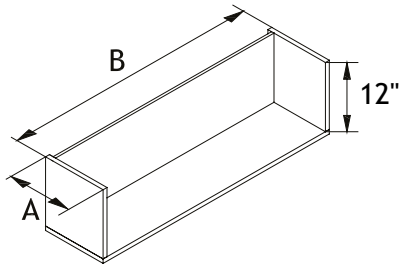
| Dimensions |      |
|------------|------|
| A B C      | ML   |
| 163055     | 1830 |
| 163655     | 1909 |
| 164255     | 2091 |
| 164855     | 2196 |
| 165455     | 2574 |
| 166055     | 2694 |
| 166655     | 2849 |
| 167255     | 2905 |
| 168455     | 3141 |

**High Gloss Front:** Please request a quotation to obtain a price.

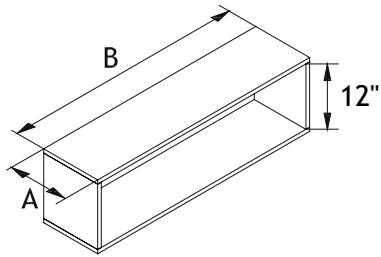
# Hutches and Wall Storage

## Wall Shelves

### WWS



### WWST



### Manufacturing Standards

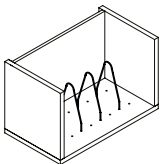
- 12" high interior;
- Z-bars for wall mounting (hardware not included);

**Dividers:** Offered as option. Pre-drilled holes for dividers (DVD), set of 3 wire dividers included.

**Attention:** Logiflex is not responsible for the installation of wall hutches. This responsibility belongs entirely to the distributor or the client.

### Options

#### Pre-drilled Holes with 3 Dividers



**DVD**  
\$29

### How to Order

| ML     | AB         | WWS<br>WWST | DVD      |
|--------|------------|-------------|----------|
| series | dimensions | code        | dividers |

**Example** ML 1336 WWS DVD

### Prices

#### WWS - Wall Shelf (no top)

| Dimensions |   |     |
|------------|---|-----|
| A          | B | ML  |
| 1336       |   | 373 |
| 1342       |   | 423 |
| 1348       |   | 579 |
| 1354       |   | 687 |
| 1360       |   | 856 |
| 1372       |   | 882 |

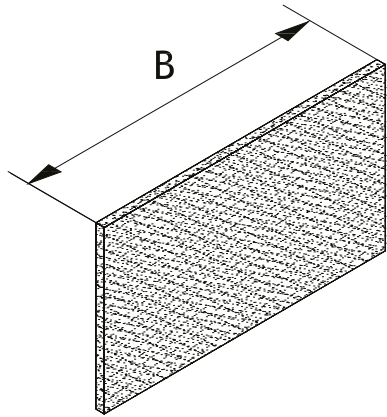
#### WWST - Wall Shelf (with top)

| Dimensions |   |     |
|------------|---|-----|
| A          | B | ML  |
| 1336       |   | 440 |
| 1342       |   | 460 |
| 1348       |   | 626 |
| 1354       |   | 725 |
| 1360       |   | 882 |
| 1372       |   | 932 |

# Hutches and Wall Storage

## Fabric Tackboards for Hutches

### TB



**Manufacturing Standards**

**Standard Fabric:** Please choose from the Logiflex color chart.

**Chair Fabric:** Please submit a quotation request providing the following information: manufacturer's name, pattern name/number and color name/number. Price available upon request.

**COM Fabric:** (Provided by the customer). COM fabrics must be sent directly to your Customer Service Representative, **Prepaid**. It is important to indicate the reference number of your purchase order on the package containing your fabric.

**Tackboards with COM Fabric:**  
 30" - 42" tackboards = 1.5 yards  
 48" - 60" tackboards = 2 yards  
 66" - 78" tackboards = 2.5 yards  
 84" - 96" tackboards = 3 yards

**Tackboards for Existing Hutches:**  
 If ordering a tackboard for an existing hutch, please specify the code of the existing hutch. Logiflex can then make the tackboard to the exact dimensions for easy installation of the product.

**Prices**

| Dimensions | COM |     |     |     |     |     |     |      |      |      |       |       |       |
|------------|-----|-----|-----|-----|-----|-----|-----|------|------|------|-------|-------|-------|
| B          | GRA | GR1 | GR2 | GR3 | GR4 | GR5 | GR6 | GR7  | GR8  | GR9  | GR10  | GR11  | GR12  |
| 30         | 300 | 333 | 377 | 421 | 476 | 531 | 586 | 641  | 696  | 751  | 806   | 916   | 1 026 |
| 36         | 300 | 333 | 377 | 421 | 476 | 531 | 586 | 641  | 696  | 751  | 806   | 916   | 1 026 |
| 42         | 300 | 333 | 377 | 421 | 476 | 531 | 586 | 641  | 696  | 751  | 806   | 916   | 1 026 |
| 48         | 300 | 333 | 377 | 421 | 476 | 531 | 586 | 641  | 696  | 751  | 806   | 916   | 1 026 |
| 54         | 300 | 333 | 377 | 421 | 476 | 531 | 586 | 641  | 696  | 751  | 806   | 916   | 1 026 |
| 60         | 404 | 437 | 481 | 525 | 580 | 635 | 690 | 745  | 800  | 855  | 910   | 1 020 | 1 130 |
| 66         | 404 | 437 | 481 | 525 | 580 | 635 | 690 | 745  | 800  | 855  | 910   | 1 020 | 1 130 |
| 72         | 445 | 486 | 541 | 596 | 665 | 734 | 802 | 871  | 940  | 1009 | 1 077 | 1 215 | 1 352 |
| 84         | 491 | 541 | 607 | 673 | 756 | 838 | 921 | 1003 | 1086 | 1168 | 1 251 | 1 416 | 1 581 |

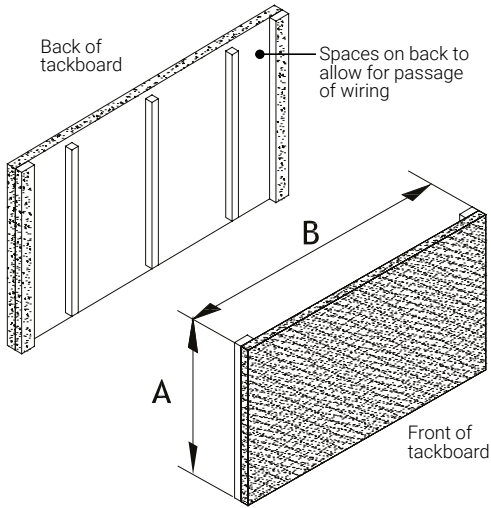
**How to Order**

| ML         | B          | TB   | GRA                   | GR1-12 | See Logiflex color chart or COM fabric number |
|------------|------------|------|-----------------------|--------|---|
| series     | dimensions | code | existing hutch height | fabric | fabric  |
| Example ML | 30         | TB   | GRA                   | GR1    |   |

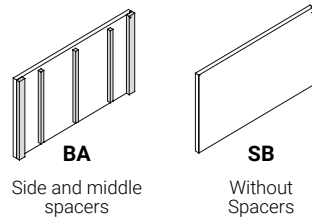
# Hutches and Wall Storage

## Fabric Tackboards and Display Boards

### TBW



### Wall Mounting Spacers



### Manufacturing Standards

- Spaces on back to allow for passage of wiring;
- Attaches to wall with wall mount hook.

**Standard Fabric:** Please choose from the Logiflex color chart.

**Chair Fabric:** Please submit a quotation request providing the following information: manufacturer's name, pattern name/number and color name/number. Price available upon request.

**COM Fabric:** (Provided by the customer). COM fabrics must be sent directly to your Customer Service Representative, **Prepaid**. It is important to indicate the reference number of your purchase order on the package containing your fabric.

#### Tackboards with COM Fabric:

30" - 42" tackboards = 1.5 yards

48" - 60" tackboards = 2 yards

66" - 72" tackboards = 2.5 yards

84" tackboards = 3 yards

### Prices

| Dimensions |   | COM |     |     |     |     |     |     |      |      |      |       |       |       |
|------------|---|-----|-----|-----|-----|-----|-----|-----|------|------|------|-------|-------|-------|
| A          | B | GRA | GR1 | GR2 | GR3 | GR4 | GR5 | GR6 | GR7  | GR8  | GR9  | GR10  | GR11  | GR12  |
| 2430       |   | 300 | 333 | 377 | 421 | 476 | 531 | 586 | 641  | 696  | 751  | 806   | 916   | 1 026 |
| 2436       |   | 300 | 333 | 377 | 421 | 476 | 531 | 586 | 641  | 696  | 751  | 806   | 916   | 1 026 |
| 2442       |   | 300 | 333 | 377 | 421 | 476 | 531 | 586 | 641  | 696  | 751  | 806   | 916   | 1 026 |
| 2448       |   | 300 | 333 | 377 | 421 | 476 | 531 | 586 | 641  | 696  | 751  | 806   | 916   | 1 026 |
| 2454       |   | 300 | 333 | 377 | 421 | 476 | 531 | 586 | 641  | 696  | 751  | 806   | 916   | 1 026 |
| 2460       |   | 404 | 437 | 481 | 525 | 580 | 635 | 690 | 745  | 800  | 855  | 910   | 1 020 | 1 130 |
| 2466       |   | 404 | 437 | 481 | 525 | 580 | 635 | 690 | 745  | 800  | 855  | 910   | 1 020 | 1 130 |
| 2472       |   | 445 | 486 | 541 | 596 | 665 | 734 | 802 | 871  | 940  | 1009 | 1 077 | 1 215 | 1 352 |
| 2484       |   | 491 | 541 | 607 | 673 | 756 | 838 | 921 | 1003 | 1086 | 1168 | 1 251 | 1 416 | 1 581 |

### How to Order

| ML                | AB         | TBW  | SB<br>BA (std)      | GR1<br>GR2<br>GR3<br>GR4<br>GR5<br>COM | See Logiflex color chart<br>or COM fabric number |
|-------------------|------------|------|---------------------|--|--|
| series            | dimensions | code | mounting<br>spacers | fabric                                 | fabric   |
| <b>Example ML</b> | 2442       | TBW  | BA                  | GR1                                    |  |

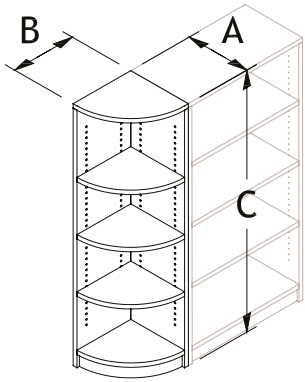




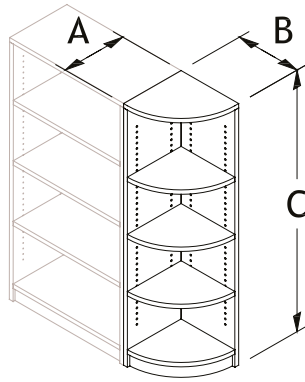
# Bookcases and Cabinets

## Corner Bookcases

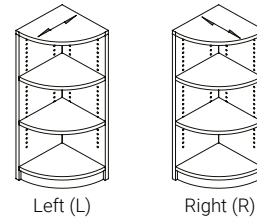
### BBC L



### BBC R



### Wood Grain Direction



Left (L)

Right (R)

### Manufacturing Standards

- 1" thick adjustable shelves;
- Shelf brackets.

#### Number of adjustable shelves included:

Less than 29" H: 1 shelf, 36" - 47" H: 2 shelves,  
48" - 65" H: 3 shelves, 66" - 83" H: 4 shelves,  
84" H and more: 5 shelves.

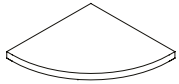
**Additional shelves (SH):** see Appendix G for prices, [p. 17](#)

### Prices

| Dimensions |   |   |      |      |
|------------|---|---|------|------|
| A          | B | C | ML   | MLL  |
| 121229     |   |   | 844  | 927  |
| 121236     |   |   | 898  |      |
| 121242     |   |   | 936  |      |
| 121248     |   |   | 989  |      |
| 121254     |   |   | 1036 |      |
| 121260     |   |   | 1096 |      |
| 121266     |   |   | 1154 |      |
| 121272     |   |   | 1193 |      |
| 121284     |   |   | 1232 |      |
| <hr/>      |   |   |      |      |
| 151529     |   |   | 930  | 967  |
| 151536     |   |   | 975  |      |
| 151542     |   |   | 1014 |      |
| 151548     |   |   | 1066 |      |
| 151554     |   |   | 1106 |      |
| 151560     |   |   | 1154 |      |
| 151566     |   |   | 1193 |      |
| 151572     |   |   | 1211 |      |
| 151584     |   |   | 1251 |      |
| <hr/>      |   |   |      |      |
| 202029     |   |   | 975  | 1073 |
| 202036     |   |   | 1014 |      |
| 202042     |   |   | 1057 |      |
| 202048     |   |   | 1096 |      |
| 202054     |   |   | 1132 |      |
| 202060     |   |   | 1172 |      |
| 202066     |   |   | 1211 |      |
| 202072     |   |   | 1251 |      |
| 202084     |   |   | 1290 |      |
| <hr/>      |   |   |      |      |
| 242429     |   |   | 1014 | 1093 |
| 242460     |   |   | 1211 |      |
| 242466     |   |   | 1248 |      |
| 242472     |   |   | 1288 |      |
| 242484     |   |   | 1326 |      |
| <hr/>      |   |   |      |      |
| 303029     |   |   | 1211 | 1349 |

### Options

#### Additional Shelves



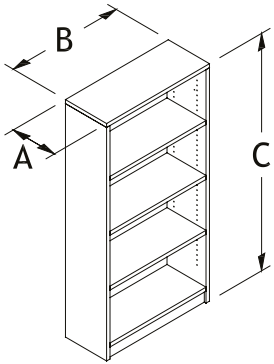
### How to Order

| ML<br>MLL         | BB        | ABC        | C        | L<br>R               | SH      |
|-------------------|-----------|------------|----------|----------------------|---------|
| series            | code      | dimensions | code     | wood grain direction | shelves |
| <b>Example</b> ML | <b>BB</b> | 151529     | <b>C</b> | L                    | SH      |

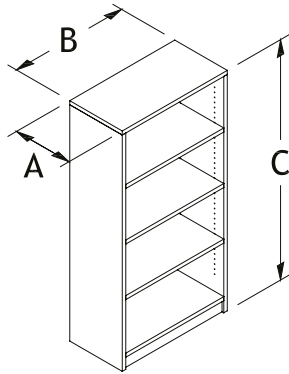
# Bookcases and Cabinets

## 30" Bookcases with Masonite Back

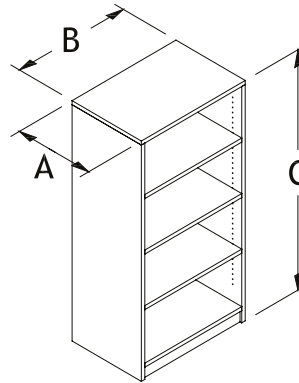
### BB1230



### BB1530



### BB2030



### Manufacturing Standards

- 1" thick adjustable shelves;
- Shelf brackets;
- Black masonite back.

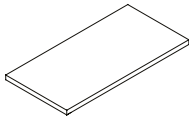
#### Number of adjustable shelves included:

Less than 29" H: 1 shelf, 36" - 47"H: 2 shelves,  
48" - 65"H: 3 shelves, 66" - 83"H: 4 shelves,  
84"H and more: 5 shelves.

**Additional shelves (SH):** see Appendix G for prices, p. 17

### Options

#### Additional Shelves



### How to Order

| ML<br>MLL | BB   | ABC        | SH      |
|-----------|------|------------|---------|
| series    | code | dimensions | shelves |

**Example** ML BB 153029 SH

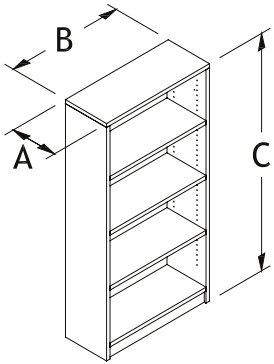
### Prices

| Dimensions |     |     |
|------------|-----|-----|
| A B C      | ML  | MLL |
| 123029     | 469 | 546 |
| 123036     | 490 |     |
| 123042     | 501 |     |
| 123048     | 520 |     |
| 123054     | 541 |     |
| 123060     | 559 |     |
| 123066     | 597 |     |
| 123072     | 748 |     |
| 123084     | 882 |     |
| <hr/>      |     |     |
| 153029     | 579 | 669 |
| 153036     | 597 |     |
| 153042     | 626 |     |
| 153048     | 647 |     |
| 153054     | 678 |     |
| 153060     | 687 |     |
| 153066     | 754 |     |
| 153072     | 874 |     |
| 153084     | 921 |     |
| <hr/>      |     |     |
| 203029     | 618 | 733 |
| 203036     | 635 |     |
| 203042     | 666 |     |
| 203048     | 687 |     |
| 203054     | 715 |     |
| 203060     | 725 |     |
| 203066     | 814 |     |
| 203072     | 910 |     |
| 203084     | 960 |     |

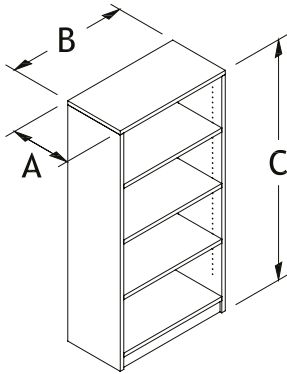
# Bookcases and Cabinets

## 30" Bookcases with Laminate Back

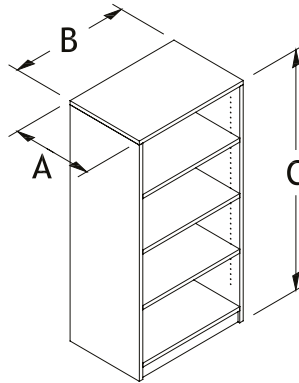
### BBL1230



### BBL1530



### BBL2030



### Manufacturing Standards

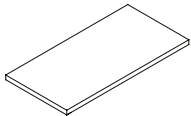
- 1" thick adjustable shelves;
- Shelf brackets;
- Laminate back.

**Number of adjustable shelves included:**  
 Less than 29" H: 1 shelf, 36" - 47" H: 2 shelves,  
 48" - 65" H: 3 shelves, 66" - 83" H: 4 shelves,  
 84" H and more: 5 shelves.

**Additional shelves (SH):** see Appendix G for prices, p. 17

### Options

#### Additional Shelves



### How to Order

| ML<br>MLL | BBL  | ABC        | SH      |
|-----------|------|------------|---------|
| series    | code | dimensions | shelves |

**Example** ML BBL 153029 SH

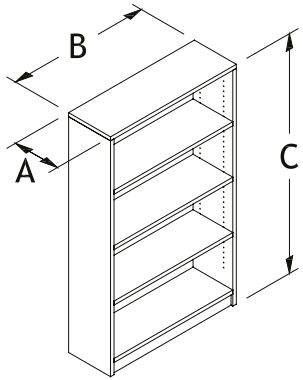
### Prices

| Dimensions |      |     |    |     |
|------------|------|-----|----|-----|
| A          | B    | C   | ML | MLL |
| 123029     | 579  | 657 |    |     |
| 123036     | 618  |     |    |     |
| 123042     | 657  |     |    |     |
| 123048     | 678  |     |    |     |
| 123054     | 695  |     |    |     |
| 123060     | 725  |     |    |     |
| 123066     | 763  |     |    |     |
| 123072     | 910  |     |    |     |
| 123084     | 1029 |     |    |     |
| <hr/>      |      |     |    |     |
| 153029     | 605  | 686 |    |     |
| 153036     | 645  |     |    |     |
| 153042     | 685  |     |    |     |
| 153048     | 700  |     |    |     |
| 153054     | 720  |     |    |     |
| 153060     | 753  |     |    |     |
| 153066     | 793  |     |    |     |
| 153072     | 939  |     |    |     |
| 153084     | 1076 |     |    |     |
| <hr/>      |      |     |    |     |
| 203029     | 725  | 812 |    |     |
| 203036     | 763  |     |    |     |
| 203042     | 814  |     |    |     |
| 203048     | 832  |     |    |     |
| 203054     | 861  |     |    |     |
| 203060     | 882  |     |    |     |
| 203066     | 932  |     |    |     |
| 203072     | 1078 |     |    |     |
| 203084     | 1137 |     |    |     |

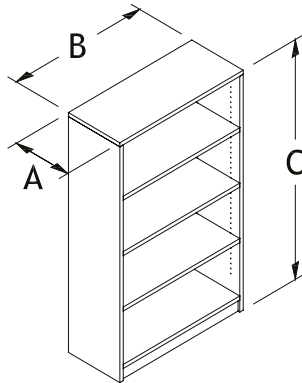
# Bookcases and Cabinets

## 36" Bookcases with Masonite Back

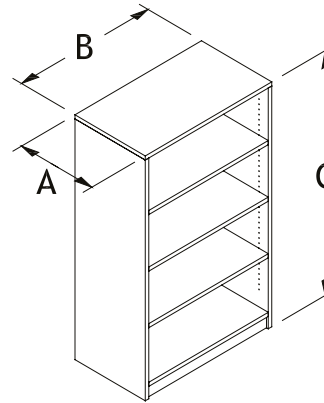
BB1236



BB1536



BB2036



### Manufacturing Standards

- 1" thick adjustable shelves;
- Shelf brackets;
- Black masonite back.

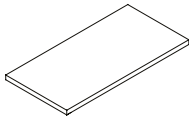
### Number of adjustable shelves included:

Less than 29" H: 1 shelf, 36" - 47" H: 2 shelves,  
48" - 65" H: 3 shelves, 66" - 83" H: 4 shelves,  
84" H and more: 5 shelves.

**Additional shelves (SH):** see Appendix G for prices, p. 17

### Options

#### Additional Shelves



### How to Order

| ML<br>MLL | BB   | ABC        | SH      |
|-----------|------|------------|---------|
| series    | code | dimensions | shelves |

**Example** ML BB 153629 SH

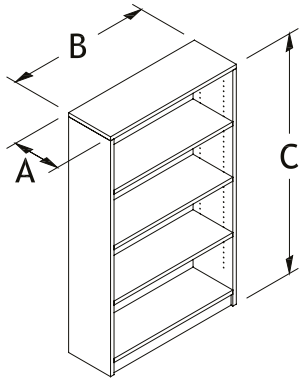
### Prices

| Dimensions |     |     |
|------------|-----|-----|
| A B C      | ML  | MLL |
| 123629     | 520 | 604 |
| 123636     | 541 |     |
| 123642     | 559 |     |
| 123648     | 579 |     |
| 123654     | 597 |     |
| 123660     | 618 |     |
| 123666     | 657 |     |
| 123672     | 801 |     |
|            |     |     |
| 153629     | 626 | 733 |
| 153636     | 647 |     |
| 153642     | 678 |     |
| 153648     | 695 |     |
| 153654     | 725 |     |
| 153660     | 734 |     |
| 153666     | 772 |     |
| 153672     | 921 |     |
|            |     |     |
| 203629     | 666 | 798 |
| 203636     | 687 |     |
| 203642     | 715 |     |
| 203648     | 734 |     |
| 203654     | 763 |     |
| 203660     | 772 |     |
| 203666     | 861 |     |
| 203672     | 960 |     |

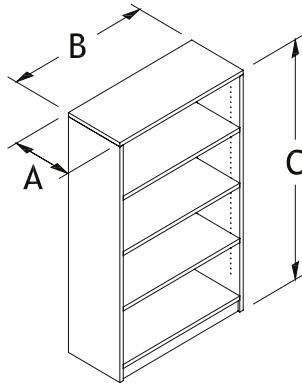
# Bookcases and Cabinets

## 36" Bookcases with Laminate Back

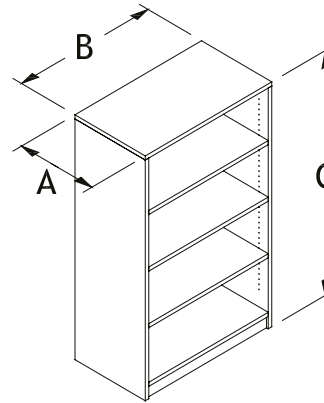
**BBL1236**



**BBL1536**



**BBL2036**



### Manufacturing Standards

- 1" thick adjustable shelves;
- Shelf brackets;
- Laminate back.

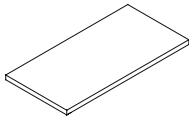
#### Number of adjustable shelves included:

Less than 29" H: 1 shelf, 36" - 47" H: 2 shelves,  
48" - 65" H: 3 shelves, 66" - 83" H: 4 shelves,  
84" H and more: 5 shelves.

**Additional shelves (SH):** see Appendix G for prices, p. 17

### Options

#### Additional Shelves



### How to Order

| ML<br>MLL | BBL  | ABC        | SH      |
|-----------|------|------------|---------|
| series    | code | dimensions | shelves |

**Example** ML BBL 153629 SH

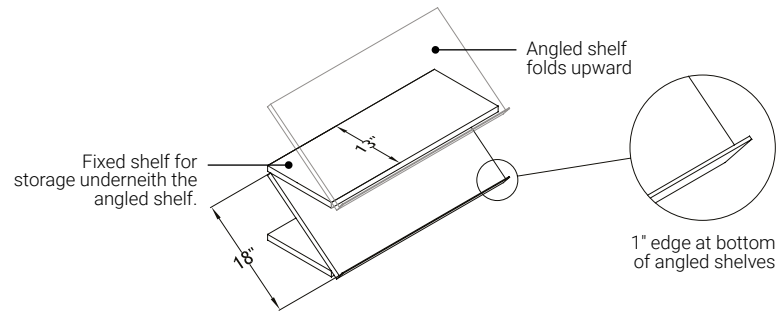
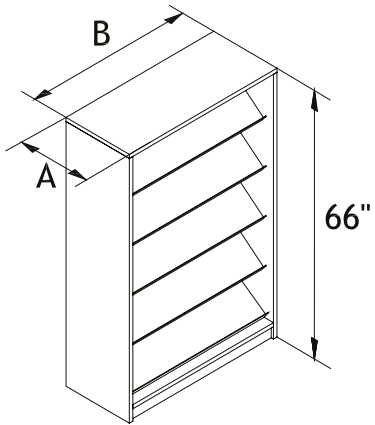
### Prices

| Dimensions |      |     |
|------------|------|-----|
| A B C      | ML   | MLL |
| 123629     | 626  | 705 |
| 123636     | 666  |     |
| 123642     | 701  |     |
| 123648     | 725  |     |
| 123654     | 748  |     |
| 123660     | 772  |     |
| 123666     | 823  |     |
| 123672     | 970  |     |
|            |      |     |
| 153629     | 654  | 741 |
| 153636     | 692  |     |
| 153642     | 729  |     |
| 153648     | 753  |     |
| 153654     | 769  |     |
| 153660     | 798  |     |
| 153666     | 851  |     |
| 153672     | 996  |     |
|            |      |     |
| 203629     | 772  | 864 |
| 203636     | 814  |     |
| 203642     | 861  |     |
| 203648     | 882  |     |
| 203654     | 910  |     |
| 203660     | 932  |     |
| 203666     | 982  |     |
| 203672     | 1127 |     |

# Bookcases and Cabinets

## Display Cases with 5 Angled Shelves

MD5



### Manufacturing Standards

- 5 angled shelves with fixed horizontal shelves underneath.

### Prices

| Dimensions |      |
|------------|------|
| A B        | ML   |
| 1830       | 1959 |
| 1836       | 2012 |

### How to Order

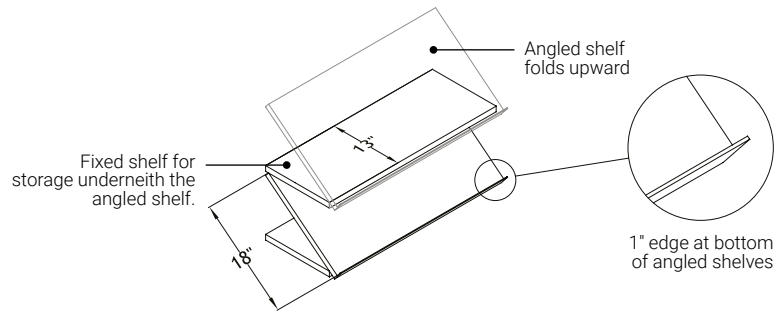
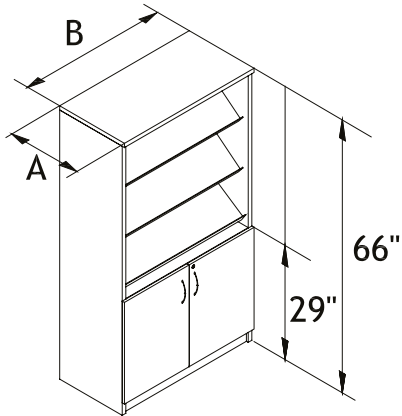
| AB     |            |      |
|--------|------------|------|
| ML     |            | MD5  |
| series | dimensions | code |

**Example** ML 1836 MD5

# Bookcases and Cabinets

## Display Cases with 3 Angled Shelves and 2 Door Cabinet

### MD3AR



### Manufacturing Standards

- 3 angled shelves with fixed horizontal shelves underneath;
- HJAB handles;
- 2-door cabinet with 1 adjustable shelf;
- Lock.

**Handles:** For handles other than HJAB standard, please choose from the Logiflex list at no extra charge.

### Prices

| Dimensions |      |
|------------|------|
| A B        | ML   |
| 1830       | 1905 |
| 1836       | 1959 |

### How to Order

| ML     |            | MD3AR |                  |
|--------|------------|-------|------------------|
| series | dimensions | code  | handles (p. 162) |
| ML     | 1836       | MD3AR |                  |

Example

**High Gloss Front:** Please request a quotation to obtain a price.

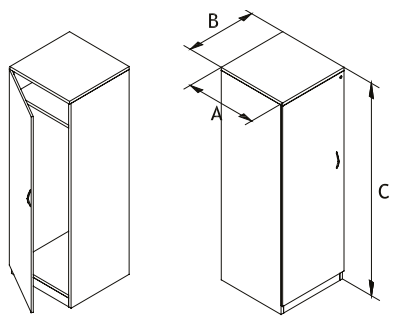


# Bookcases and Cabinets

## Wardrobes with One Door

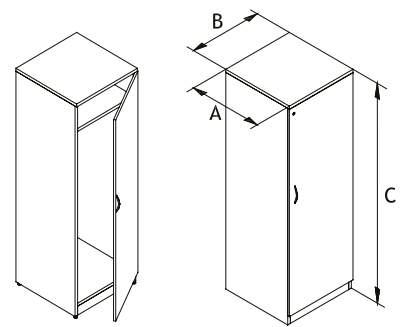
### VL

Door opening to the left



### VR

Door opening to the right



### Manufacturing Standards

- Fixed shelf (8" clearance between shelf and top);
- Clothes rail;
- HJAB handle;
- Lock;
- 5/8" laminate back;
- Ventilation grill in back panel.

**Handle:** For a handle other than HJAB standard, please choose from the Logiflex list at no extra charge.

### Prices

| Dimensions |      |
|------------|------|
| A B C      | ML   |
| 201866     | 839  |
| 202466     | 960  |
|            |      |
| 241866     | 1028 |
| 242466     | 1078 |
|            |      |
| 201872     | 919  |
| 202472     | 1041 |
|            |      |
| 241872     | 1108 |
| 242472     | 1187 |
|            |      |
| 201884     | 1078 |
| 202484     | 1183 |
|            |      |
| 241884     | 1268 |
| 242484     | 1345 |

**High Gloss Front:** Please request a quotation to obtain a price.

### How to Order

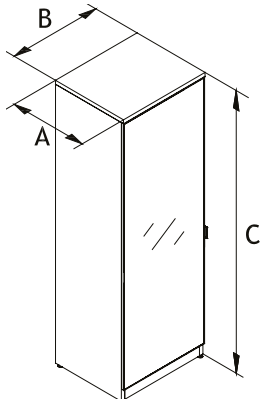
| ML                | ABC       | VL<br>VR | HJAB (std)<br>handles<br>(p. 162) |
|-------------------|-----------|----------|-----------------------------------|
| series            | dimension | code     |                                   |
| <b>Example ML</b> | 202466    | VL       | HJAB                              |

# Bookcases and Cabinets

## Wardrobes with One Glass Door

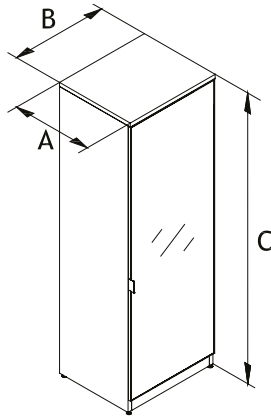
### VLFL

Door opening to the left



### VRFL

Door opening to the right



### Manufacturing Standards

- White glass (V4) doors with aluminum-frame and built-in handle;
- Soft-close door;
- Clothes rail;
- 5/8" laminate back;
- Fixed shelf (8" clearance between shelf and top);
- Ventilation grill in back panel.

**Glass:** If the choice of glass is not specified, the standard is white glass (V4). For other choices of glass, consult the Logiflex color chart. Prices available upon quotation request.

### Prices

| Dimensions |      |
|------------|------|
| A B C      | ML   |
| 201866     | 1935 |
| 202466     | 2352 |
| 241866     | 2151 |
| 242466     | 2565 |
| 201872     | 2117 |
| 202472     | 2559 |
| 241872     | 2331 |
| 242472     | 2770 |
| 201884     | 2550 |
| 202484     | 3051 |
| 241884     | 2768 |
| 242484     | 3243 |

### How to Order

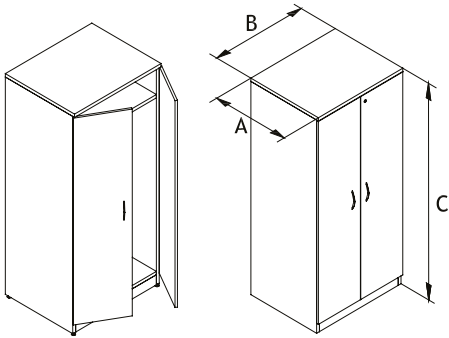
| ML     | ABC       | VLFL<br>VRFL | KB<br>PL<br>V4 (std) |
|--------|-----------|--------------|----------------------|
| series | dimension | code         | glass                |

**Example** ML 202466 VLFL V4

# Bookcases and Cabinets

## Wardrobes with Two Doors

V



### Manufacturing Standards

- Fixed shelf (8" clearance between shelf and top);
- Clothes rail;
- HJAB handles;
- Lock;
- 5/8" laminate back;
- Ventilation grill in back panel.

**Handles:** For handles other than HJAB standard, please choose from the Logiflex list at no extra charge.

### Prices

| Dimensions |      |
|------------|------|
| A B C      | ML   |
| 203066     | 1205 |
| 203666     | 1323 |
|            |      |
| 243066     | 1393 |
| 243666     | 1475 |
|            |      |
| 203072     | 1282 |
| 203672     | 1435 |
|            |      |
| 243072     | 1472 |
| 243672     | 1571 |
|            |      |
| 203084     | 1559 |
|            |      |
| 243084     | 1766 |

**High Gloss Front:** Please request a quotation to obtain a price.

### How to Order

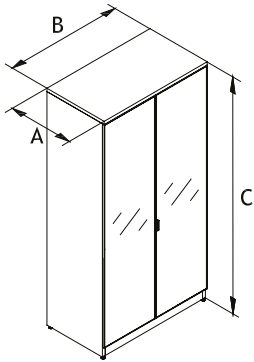
| ML                | ABC       | V        | HJAB (std)       |
|-------------------|-----------|----------|------------------|
| series            | dimension | code     | handles (p. 162) |
| <b>Example ML</b> | 203066    | <b>V</b> | HJAB             |

# Bookcases and Cabinets



## Wardrobes with Two Glass Doors

### VFL



### Manufacturing Standards

- White glass (V4) doors with aluminum-frame and built-in handle;
- Soft-close doors;
- Clothes rail;
- Fixed shelf (8" clearance between shelf and top);
- 5/8" laminate back;
- Ventilation grill in back panel.

**Glass:** If the choice of glass is not specified, the standard is white glass (V4). For other choices of glass, consult the Logiflex color chart. Prices available upon quotation request.

### Prices

| Dimensions |      |    |
|------------|------|----|
| A          | B    | C  |
| 203066     | 2737 | ML |
| 203666     | 3149 | ML |
| 243066     | 2967 | ML |
| 243666     | 3374 | ML |
| 203072     | 2938 | ML |
| 203672     | 3396 | ML |
| 243072     | 3200 | ML |
| 243672     | 3594 | ML |
| 203084     | 3595 | ML |
| 243084     | 3755 | ML |

### How to Order

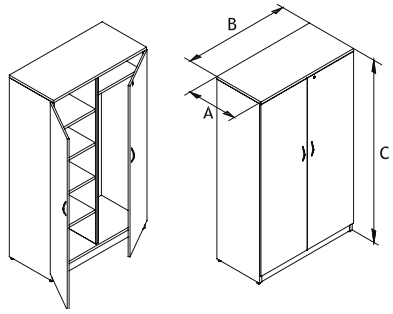
| ML     | ABC       | VFL  | KB<br>PL<br>V4 (std) |
|--------|-----------|------|----------------------|
| series | dimension | code | glass                |

**Example** ML 203066 VFL V4

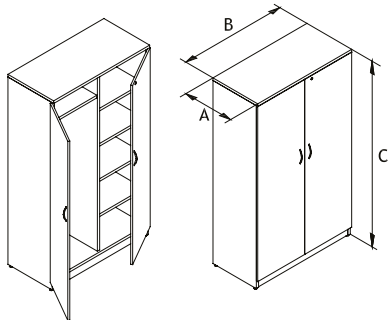
# Bookcases and Cabinets

## Wardrobes with Two Doors and Cabinet

### ARV



### VAR



### Manufacturing Standards

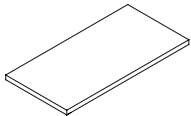
- Adjustable shelves;
- Shelf brackets;
- Fixed shelf (8" clearance between shelf and top);
- Clothes rail;
- HJAB handles;
- Lock;
- 5/8" laminate back;
- Ventilation grill in back panel.

**Handles:** For handles other than HJAB standard, please choose from the Logiflex list at no extra charge.

**Adjustable shelves (SH):**  
66" H - 72" H: 4 shelves / 84" high: 5 adjustable.  
Additional shelves, see Appendix G for prices, p. 17.

### Options

#### Additional Shelves



### How to Order

| ML                | ABC       | ARV<br>VAR | HJAB (std)          | SH      |
|-------------------|-----------|------------|---------------------|---------|
| series            | dimension | code       | handles<br>(p. 162) | shelves |
| <b>Example ML</b> | 202466    | ARV        | HJAB                | SH      |

### Prices

| Dimensions |      |
|------------|------|
| A B C      | ML   |
| 202466     | 1567 |
| 203066     | 1655 |
| 203666     | 1746 |
|            |      |
| 242466     | 1667 |
| 243066     | 1751 |
| 243666     | 1844 |
|            |      |
| 202472     | 1645 |
| 203072     | 1735 |
| 203672     | 1842 |
|            |      |
| 242472     | 1765 |
| 243072     | 1832 |
| 243672     | 1920 |
|            |      |
| 202484     | 1915 |
| 203084     | 2007 |
|            |      |
| 242484     | 2044 |
| 243084     | 2115 |

**High Gloss Front:** Please request a quotation to obtain a price.

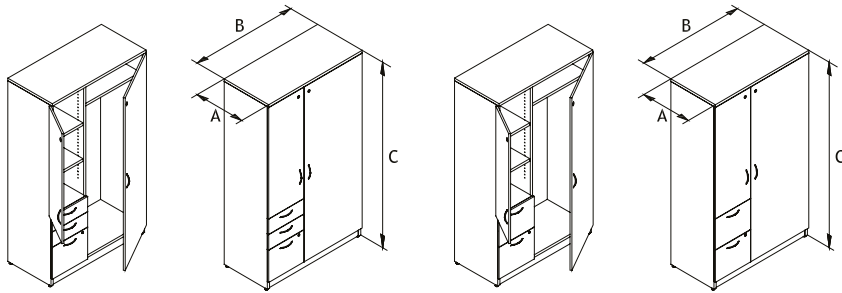
# Bookcases and Cabinets



## Wardrobe on Right and Cabinet with Pedestal on Left

AREV

ARFV



### Manufacturing Standards

- 2 utility drawers and 1 file drawer or 2 file drawers;
- 2 adjustable shelves;
- Shelf brackets;
- Fixed shelf;
- Clothes rail;
- HJAB handles;
- Locks;
- 5/8" laminate back;
- Ventilation grill in back panel.

**Handles:** For handles other than HJAB standard, please choose from the Logiflex list at no extra charge.

**Additional shelves (SH):** see Appendix G for prices, p. 17

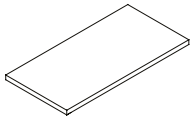
### Prices

| Dimensions |      |         |
|------------|------|---------|
| A          | B    | C       |
| 202466     | 2273 | 6-7/8"  |
| 203066     | 2353 | 12-7/8" |
| 203666     | 2421 | 18-7/8" |
|            |      |         |
| 242466     | 2359 | 6-7/8"  |
| 243066     | 2438 | 12-7/8" |
| 243666     | 2517 | 18-7/8" |
|            |      |         |
| 202472     | 2342 | 6-7/8"  |
| 203072     | 2421 | 12-7/8" |
| 203672     | 2497 | 18-7/8" |
|            |      |         |
| 242472     | 2438 | 6-7/8"  |
| 243072     | 2517 | 12-7/8" |
| 243672     | 2597 | 18-7/8" |
|            |      |         |
| 202484     | 2588 | 6-7/8"  |
| 203084     | 2693 | 12-7/8" |
|            |      |         |
| 242484     | 2711 | 6-7/8"  |
| 243084     | 2798 | 12-7/8" |

**High Gloss Front:** Please request a quotation to obtain a price.

### Options

#### Additional Shelves



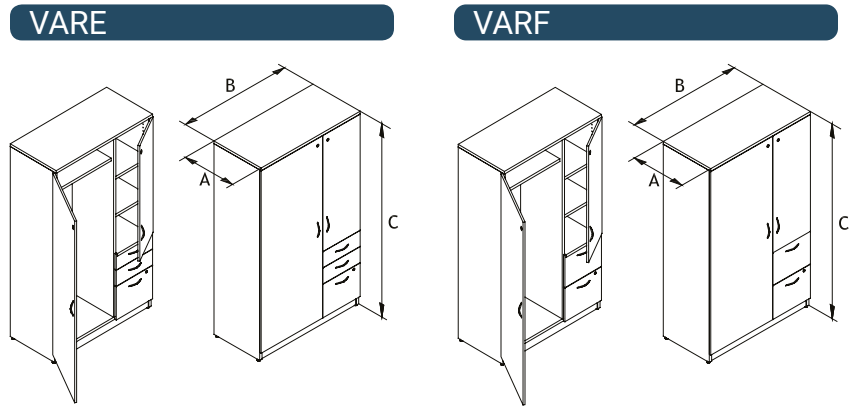
### How to Order

| ML                | ABC       | AREV<br>ARFV | HJAB (std)          | SH      |
|-------------------|-----------|--------------|---------------------|---------|
| series            | dimension | code         | handles<br>(p. 162) | shelves |
| <b>Example ML</b> | 203066    | AREV         | HJAB                | SH      |

# Bookcases and Cabinets



## Wardrobe on Left and Cabinet with Pedestal on Right



**Manufacturing Standards**

- 2 utility drawers and 1 file drawer or 2 file drawers;
- 2 adjustable shelves;
- Shelf brackets;
- Fixed shelf;
- Clothes rail;
- HJAB handles;
- Locks;
- 5/8" laminate back;
- Ventilation grill in back panel.

**Handles:** For handles other than HJAB standard, please choose from the Logiflex list at no extra charge.

**Additional shelves (SH):** see Appendix G for prices, p. 17

**Options**

**Additional Shelves**

**How to Order**

| ML                | ABC       | VARE<br>VARF | HJAB (std)                       | SH      |
|-------------------|-----------|--------------|----------------------------------|---------|
| series            | dimension | code         | <a href="#">handles (p. 162)</a> | shelves |
| <b>Example ML</b> | 203066    | VARE         | HJAB                             | SH      |

**Prices**

| Dimensions |      |         |
|------------|------|---------|
| A          | B    | C       |
| 202466     | 2273 | 6-7/8"  |
| 203066     | 2353 | 12-7/8" |
| 203666     | 2421 | 18-7/8" |
|            |      |         |
| 242466     | 2359 | 6-7/8"  |
| 243066     | 2438 | 12-7/8" |
| 243666     | 2517 | 18-7/8" |
|            |      |         |
| 202472     | 2342 | 6-7/8"  |
| 203072     | 2421 | 12-7/8" |
| 203672     | 2497 | 18-7/8" |
|            |      |         |
| 242472     | 2438 | 6-7/8"  |
| 243072     | 2517 | 12-7/8" |
| 243672     | 2597 | 18-7/8" |
|            |      |         |
| 202484     | 2588 | 6-7/8"  |
| 203084     | 2693 | 12-7/8" |
|            |      |         |
| 242484     | 2711 | 6-7/8"  |
| 243084     | 2798 | 12-7/8" |

**High Gloss Front:** Please request a quotation to obtain a price.

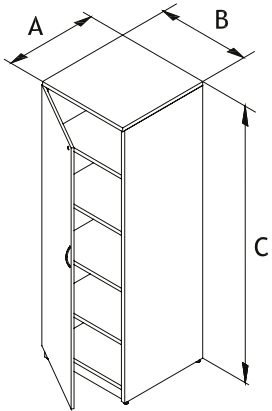
# Bookcases and Cabinets



## Cabinets with One Door

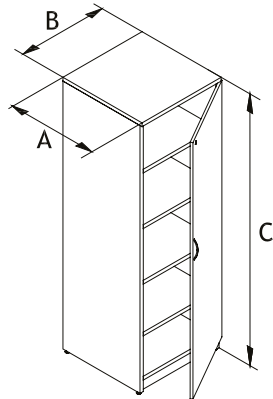
### ARL - 20

Door opening to the left



### ARR - 20

Door opening to the right



### Manufacturing Standards

- Adjustable shelves;
- Shelf brackets;
- HJAB handle;
- Lock;
- 5/8" laminate back.

#### Number of adjustable shelves included:

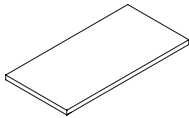
Less than 29" H: 1 shelf, 36" - 47"H: 2 shelves,  
48" - 65"H: 3 shelves, 66" - 72"H: 4 shelves.

**Handle:** For a handle other than HJAB standard, please choose from the Logiflex list at no extra charge.

**Additional shelves (SH):** see Appendix G for prices, p. 17

### Options

#### Additional Shelves



### How to Order

| ML     | ABC        | ARL<br>ARR | HJAB (std)          | SH      |
|--------|------------|------------|---------------------|---------|
| series | dimensions | code       | handles<br>(p. 162) | shelves |

**Example** ML 241866 ARL HJAB SH

### Prices

| Dimensions<br>A B C | ML   |
|---------------------|------|
| 201829              | 657  |
| 201836              | 718  |
| 201841              | 778  |
| 201848              | 839  |
| 201854              | 900  |
| 201860              | 961  |
| 201866              | 1036 |
| 201872              | 1111 |

|        |      |
|--------|------|
| 202429 | 722  |
| 202436 | 793  |
| 202441 | 859  |
| 202448 | 927  |
| 202454 | 994  |
| 202460 | 1061 |
| 202466 | 1156 |
| 202472 | 1252 |

**High Gloss Front:** Please request a quotation to obtain a price.



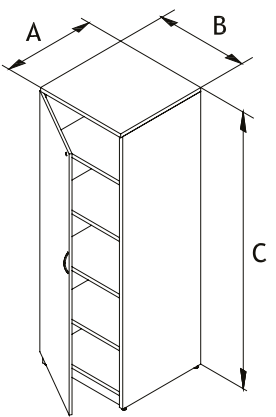
# Bookcases and Cabinets



## Cabinets with One Door

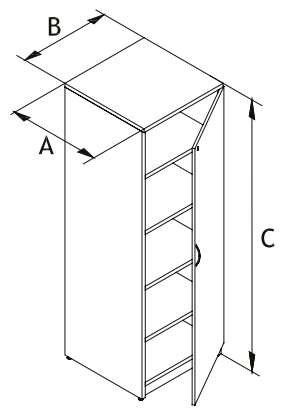
### ARL - 24

Door opening to the left



### ARR - 24

Door opening to the right



### Manufacturing Standards

- Adjustable shelves;
- Shelf brackets;
- HJAB handle;
- Lock;
- 5/8" laminate back.

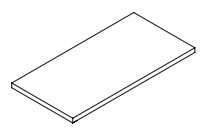
**Number of adjustable shelves included:**  
 Less than 29" H: 1 shelf, 36" - 47"H: 2 shelves,  
 48" - 65"H: 3 shelves, 66" - 72"H: 4 shelves.

**Handle:** For a handle other than HJAB standard, please choose from the Logiflex list at no extra charge.

**Additional shelves (SH):** see Appendix G for prices, p. 17

### Options

#### Additional Shelves



### Prices

| Dimensions |      |
|------------|------|
| A B C      | ML   |
| 241829     | 792  |
| 241836     | 860  |
| 241841     | 931  |
| 241848     | 1000 |
| 241854     | 1119 |
| 241860     | 1142 |
| 241866     | 1220 |
| 241872     | 1302 |
|            |      |
| 242429     | 865  |
| 242436     | 939  |
| 242441     | 1010 |
| 242448     | 1082 |
| 242454     | 1153 |
| 242460     | 1225 |
| 242466     | 1303 |
| 242472     | 1380 |

### How to Order

| ML     | ABC        | ARL<br>ARR | HJAB (std)          | SH      |
|--------|------------|------------|---------------------|---------|
| series | dimensions | code       | handles<br>(p. 162) | shelves |

**Example** ML 241866 ARL HJAB SH

**High Gloss Front:** Please request a quotation to obtain a price.

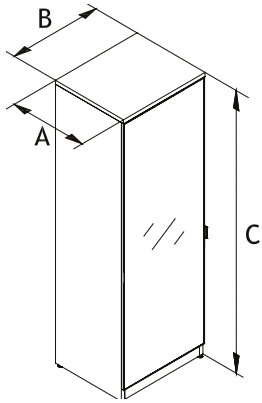
# Bookcases and Cabinets



## Cabinets with One Glass Door

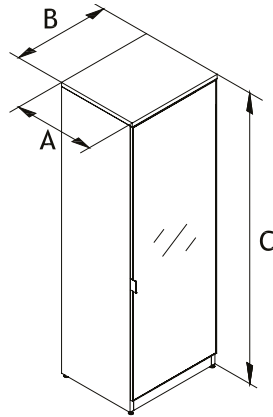
### ARLFL

Door opening to the left



### ARRFL

Door opening to the right



### Manufacturing Standards

- White glass (V4) doors with aluminum-frame and built-in handle;
- Soft-close door;
- Adjustable shelves;
- Shelf brackets;
- 5/8" laminate back.

#### Number of adjustable shelves included:

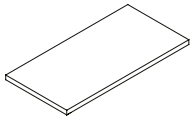
Less than 29" H: 1 shelf, 36" - 47" H: 2 shelves, 48" - 65" H: 3 shelves, 66" - 83" H: 4 shelves, 84" H and more: 5 shelves.

**Glass:** If the choice of glass is not specified, the standard is white glass (V4). For other choices of glass, consult the Logiflex color chart. Prices available upon quotation request.

**Additional shelves (SH):** see Appendix G for prices, p. 17

### Options

#### Additional Shelves



### Prices

| Dimensions |      |
|------------|------|
| A B C      | ML   |
| 201866     | 2140 |
| 202466     | 2556 |
| 241866     | 2356 |
| 242466     | 2787 |
| 201872     | 2313 |
| 202472     | 2573 |
| 241872     | 2537 |
| 242472     | 2996 |
| 201884     | 2529 |
| 202484     | 2594 |
| 241884     | 2720 |
| 242484     | 3206 |

### How to Order

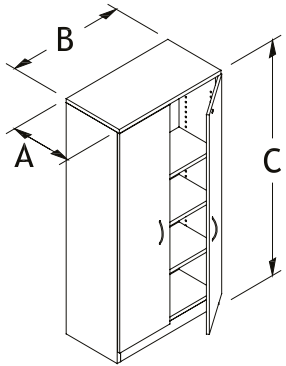
| ML                | ABC        | ARLFL<br>ARRFL | KB<br>PL<br>V4 (std) | SH      |
|-------------------|------------|----------------|----------------------|---------|
| series            | dimensions | code           | glass                | shelves |
| <b>Example ML</b> | 241866     | ARLFL          | V4                   | SH      |

# Bookcases and Cabinets

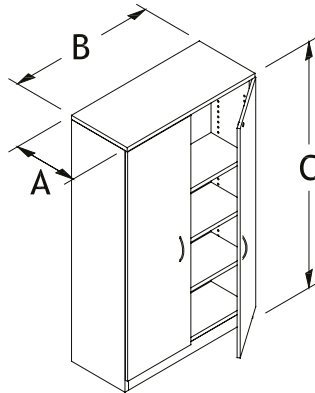


## Cabinets with Two Doors

AR1530



AR1536



### Manufacturing Standards

- Adjustable shelves;
- Shelf brackets;
- HJAB handles;
- Lock;
- 5/8" laminate back.

**Number of adjustable shelves included:**

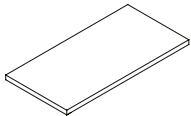
Less than 29" H: 1 shelf, 36" - 47" H: 2 shelves,  
48" - 65" H: 3 shelves, 66" - 83" H: 4 shelves,  
84" H and more: 5 shelves.

**Handles:** For handles other than HJAB standard, please choose from the Logiflex list at no extra charge.

**Additional shelves (SH):** see Appendix G for prices, p. 17

### Options

#### Additional Shelves



### Prices

| Dimensions |      |     | ML | MLL |
|------------|------|-----|----|-----|
| A          | B    | C   |    |     |
| 153029     | 800  | 911 |    |     |
| 153036     | 874  |     |    |     |
| 153041     | 989  |     |    |     |
| 153048     | 1052 |     |    |     |
| 153053     | 1174 |     |    |     |
| 153060     | 1287 |     |    |     |
| 153066     | 1370 |     |    |     |
| 153072     | 1469 |     |    |     |
| 153084     | 1673 |     |    |     |
| <hr/>      |      |     |    |     |
| 153629     | 835  | 957 |    |     |
| 153636     | 908  |     |    |     |
| 153641     | 1024 |     |    |     |
| 153648     | 1077 |     |    |     |
| 153653     | 1111 |     |    |     |
| 153660     | 1324 |     |    |     |
| 153666     | 1404 |     |    |     |
| 153672     | 1500 |     |    |     |

### How to Order

| ML<br>MLL | ABC        | AR   | HJAB (std)          | SH      |
|-----------|------------|------|---------------------|---------|
| series    | dimensions | code | handles<br>(p. 162) | shelves |

**Example** ML 153029 AR HJAB SH

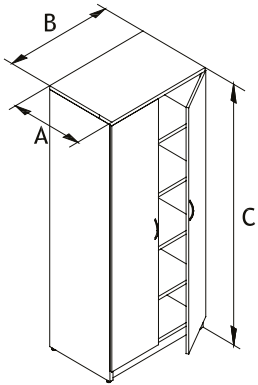
**High Gloss Front:** Please request a quotation to obtain a price.

# Bookcases and Cabinets

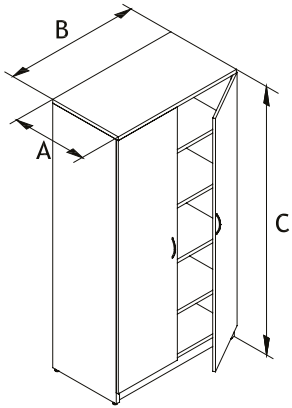


## Cabinets With Two Doors

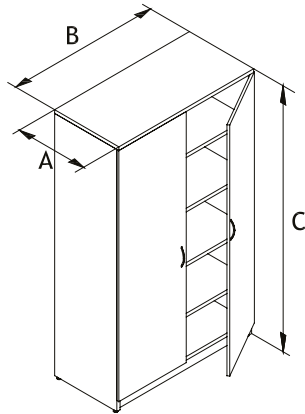
### AR2030



### AR2036



### AR2042



### Manufacturing Standards

- Adjustable shelves;
- Shelf brackets;
- HJAB handles;
- Lock;
- 5/8" laminate back.

**Number of adjustable shelves included:**

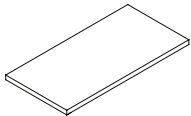
Less than 29" H: 1 shelf, 36" - 47" H: 2 shelves,  
48" - 65" H: 3 shelves, 66" - 83" H: 4 shelves,  
84" H and more: 5 shelves.

**Handles:** For handles other than HJAB standard, please choose from the Logiflex list at no extra charge.

**Additional shelves (SH):** see Appendix G for prices, p. 17

### Options

#### Additional Shelves



### How to Order

| ML<br>MLL | ABC        | AR   | HJAB (std)          | SH      |
|-----------|------------|------|---------------------|---------|
| series    | dimensions | code | handles<br>(p. 162) | shelves |

**Example** ML 203629 AR HJAB SH

### Prices

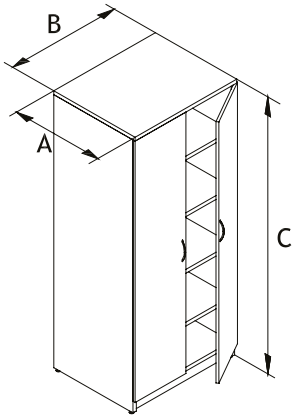
| Dimensions |      |      |
|------------|------|------|
| A B C      | ML   | MLL  |
| 203029     | 895  | 1009 |
| 203036     | 986  |      |
| 203041     | 1092 |      |
| 203048     | 1196 |      |
| 203053     | 1285 |      |
| 203060     | 1381 |      |
| 203066     | 1456 |      |
| 203072     | 1556 |      |
| 203084     | 1639 |      |
| <hr/>      |      |      |
| 203629     | 962  | 1093 |
| 203636     | 1049 |      |
| 203641     | 1156 |      |
| 203648     | 1265 |      |
| 203653     | 1357 |      |
| 203660     | 1411 |      |
| 203666     | 1511 |      |
| 203672     | 1608 |      |
| <hr/>      |      |      |
| 204229     | 1110 | 1259 |
| 204236     | 1192 |      |
| 204241     | 1297 |      |
| 204248     | 1403 |      |
| 204253     | 1489 |      |
| 204260     | 1536 |      |

**High Gloss Front:** Please request a quotation to obtain a price.

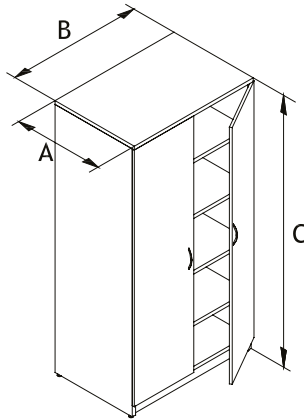
# Bookcases and Cabinets

## Cabinets with Two Doors

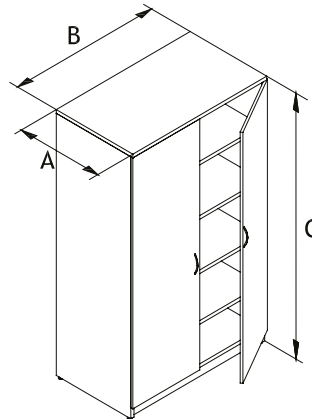
### AR2430



### AR2436



### AR2442



### Manufacturing Standards

- Adjustable shelves;
- Shelf brackets;
- HJAB handles;
- Lock;
- 5/8" laminate back.

#### Number of adjustable shelves included:

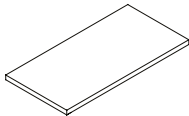
Less than 29" H: 1 shelf, 36" - 47" H: 2 shelves,  
48" - 65" H: 3 shelves, 66" - 83" H: 4 shelves,  
84" H and more: 5 shelves.

**Handles:** For handles other than HJAB standard, please choose from the Logiflex list at no extra charge.

**Additional shelves (SH):** see Appendix G for prices, p. 17

### Options

#### Additional Shelves



### How to Order

| ML<br>MLL      | ABC        | AR     | HJAB (std)          | SH      |
|----------------|------------|--------|---------------------|---------|
| series         | dimensions | code   | handles<br>(p. 162) | shelves |
| <b>Example</b> | ML         | 243629 | AR                  | HJAB    |
|                |            |        |                     | SH      |

### Prices

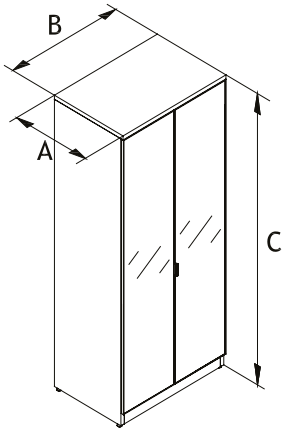
| Dimensions<br>A B C | ML   | MLL  |
|---------------------|------|------|
| 243029              | 987  | 1131 |
| 243036              | 1075 |      |
| 243041              | 1183 |      |
| 243048              | 1285 |      |
| 243053              | 1376 |      |
| 243060              | 1472 |      |
| 243066              | 1546 |      |
| 243072              | 1645 |      |
| 243084              | 1848 |      |
| <hr/>               |      |      |
| 243629              | 1051 | 1214 |
| 243636              | 1138 |      |
| 243641              | 1246 |      |
| 243648              | 1351 |      |
| 243653              | 1443 |      |
| 243660              | 1502 |      |
| 243666              | 1601 |      |
| 243672              | 1706 |      |
| <hr/>               |      |      |
| 244229              | 1129 | 1294 |
| 244236              | 1225 |      |
| 244241              | 1327 |      |
| 244248              | 1430 |      |
| 244253              | 1517 |      |
| 244260              | 1604 |      |

**High Gloss Front:** Please request a quotation to obtain a price.

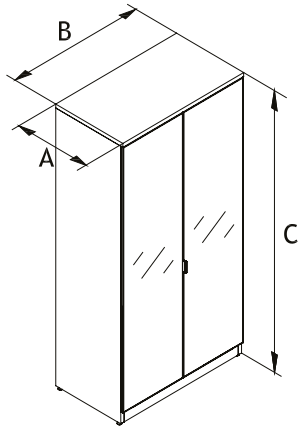
# Bookcases and Cabinets

## Cabinets with Two Glass Doors

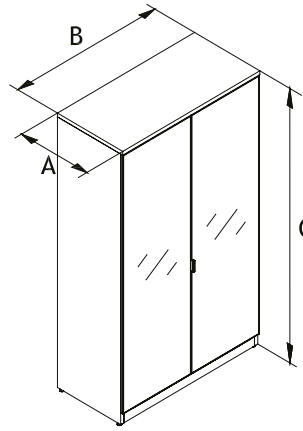
### ARFL2030



### ARFL2036



### ARFL2042



### Manufacturing Standards

- White glass (V4) doors with aluminum-frame and built-in handle;
- Soft-close doors;
- Adjustable shelves;
- Shelf brackets;
- 5/8" laminate back.

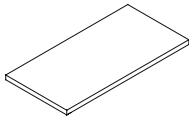
**Number of adjustable shelves included:**  
 Less than 29" H: 1 shelf, 36" - 47"H: 2 shelves,  
 48" - 65"H: 3 shelves, 66" - 83"H: 4 shelves,  
 84"H and more: 5 shelves.

**Glass:** If the choice of glass is not specified, the standard is white glass (V4). For other choices of glass, consult the Logiflex color chart. Prices available upon quotation request.

**Additional shelves (SH):** see Appendix G for prices, p. 17

### Options

#### Additional Shelves



### How to Order

| ML<br>MLL  | ABC        | ARFL | KB<br>PL<br>V4 (std) | SH      |
|------------|------------|------|----------------------|---------|
| series     | dimensions | code | glass                | shelves |
| Example ML | 203629     | ARFL | V4                   | SH      |

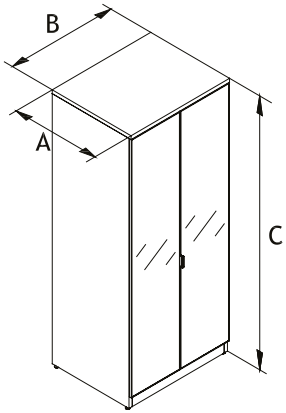
### Prices

| Dimensions<br>A B C | ML   | MLL  |
|---------------------|------|------|
| 203029              | 1703 | 1908 |
| 203036              | 1975 |      |
| 203041              | 2237 |      |
| 203048              | 2506 |      |
| 203053              | 2757 |      |
| 203060              | 2954 |      |
| 203066              | 3176 |      |
| 203072              | 3411 |      |
| 203084              | 3852 |      |
| <hr/>               |      |      |
| 203629              | 1912 | 2155 |
| 203636              | 2213 |      |
| 203641              | 2513 |      |
| 203648              | 2804 |      |
| 203653              | 3078 |      |
| 203660              | 3306 |      |
| 203666              | 3558 |      |
| 203672              | 3819 |      |
| <hr/>               |      |      |
| 204229              | 2076 | 2344 |
| 204236              | 2411 |      |
| 204241              | 2730 |      |
| 204248              | 3051 |      |
| 204253              | 3347 |      |
| 204260              | 3606 |      |

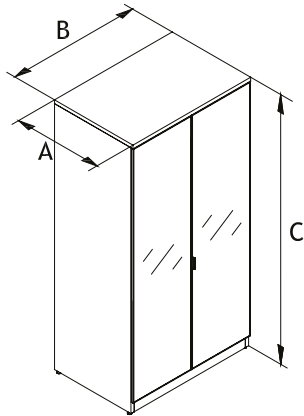
# Bookcases and Cabinets

## Cabinets with Two Glass Doors

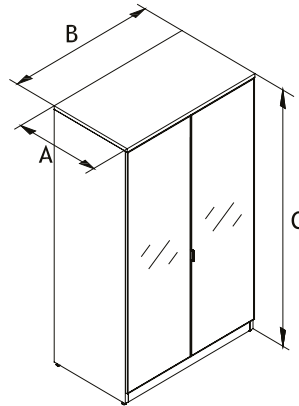
### ARFL2430



### ARFL2436

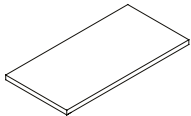


### ARFL2442



### Options

#### Additional Shelves



### How to Order

| ML<br>MLL  | ABC        | ARFL | KB<br>PL<br>VS (std) | SH      |
|------------|------------|------|----------------------|---------|
| series     | dimensions | code | glass                | shelves |
| Example ML | 243629     | ARFL | V4                   | SH      |

### Manufacturing Standards

- White glass (V4) doors with aluminum-frame and built-in handle;
- Soft-close doors;
- Adjustable shelves;
- Shelf brackets;
- 5/8" laminate back.

#### Number of adjustable shelves included:

Less than 29" H: 1 shelf, 36" - 47"H: 2 shelves,  
48" - 65"H: 3 shelves, 66" - 83"H: 4 shelves,  
84"H and more: 5 shelves.

**Glass:** If the choice of glass is not specified, the standard is white glass (V4). For other choices of glass, consult the Logiflex color chart. Prices available upon quotation request.

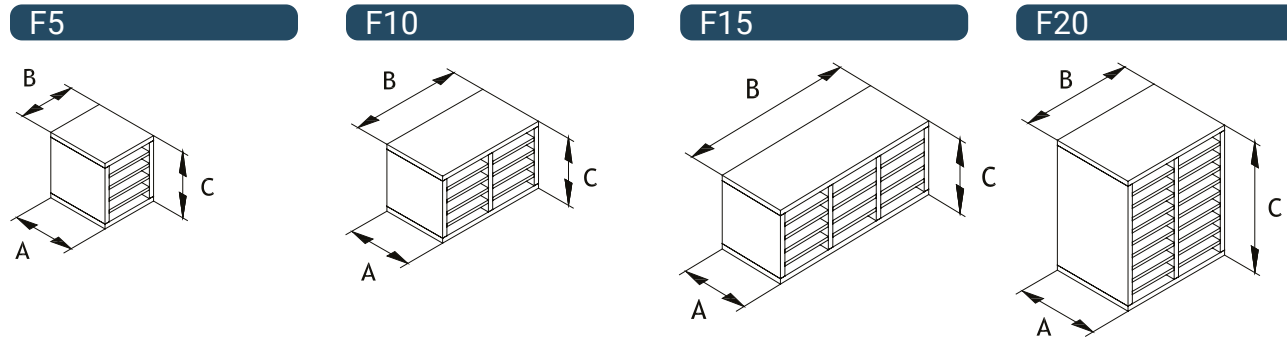
**Additional shelves (SH):** see Appendix G for prices, p. 17

### Prices

| Dimensions<br>A B C | ML   | MLL  |
|---------------------|------|------|
| 243029              | 1799 | 2028 |
| 243036              | 2069 |      |
| 243041              | 2331 |      |
| 243048              | 2599 |      |
| 243053              | 2846 |      |
| 243060              | 3043 |      |
| 243066              | 3268 |      |
| 243072              | 3501 |      |
| 243084              | 3942 |      |
| <hr/>               |      |      |
| 243629              | 2002 | 2272 |
| 243636              | 2300 |      |
| 243641              | 2599 |      |
| 243648              | 2890 |      |
| 243653              | 3169 |      |
| 243660              | 3395 |      |
| 243666              | 3646 |      |
| 243672              | 3908 |      |
| <hr/>               |      |      |
| 244229              | 2159 | 2463 |
| 244236              | 2493 |      |
| 244241              | 2813 |      |
| 244248              | 3133 |      |
| 244253              | 3432 |      |
| 244260              | 3689 |      |

# Bookcases and Cabinets

## Pigeonhole Units



**Manufacturing Standards**

- Frame is 5/8" laminate frame with 1.5 mm PVC edge;
- Fixed 5/8" thick laminate shelves with 1.5 mm PVC edge.

**Prices**

**F5 - 5 Compartment Form Holder**

| Code | Dimensions |         |         | ML  |
|------|------------|---------|---------|-----|
|      | A          | B       | C       |     |
| F5   | 16-3/8"    | 11-5/8" | 13-5/8" | 264 |
| F5LS | 13"        | 11-5/8" | 13-5/8" | 264 |

**F10 - 10 Compartment Form Holder**

| Code  | Dimensions |         |         | ML  |
|-------|------------|---------|---------|-----|
|       | A          | B       | C       |     |
| F10   | 16-3/8"    | 22-3/8" | 13-5/8" | 504 |
| F10LS | 13"        | 22-3/8" | 13-5/8" | 504 |

**F15 - 15 Compartment Form Holder**

| Code  | Dimensions |         |         | ML  |
|-------|------------|---------|---------|-----|
|       | A          | B       | C       |     |
| F15   | 16-3/8"    | 33-1/8" | 13-5/8" | 756 |
| F15LS | 13"        | 33-1/8" | 13-5/8" | 756 |

**F20 - 20 Compartment Form Holder**

| Code | Dimensions |         |         | ML  |
|------|------------|---------|---------|-----|
|      | A          | B       | C       |     |
| F20  | 16-3/8"    | 22-3/8" | 25-7/8" | 999 |

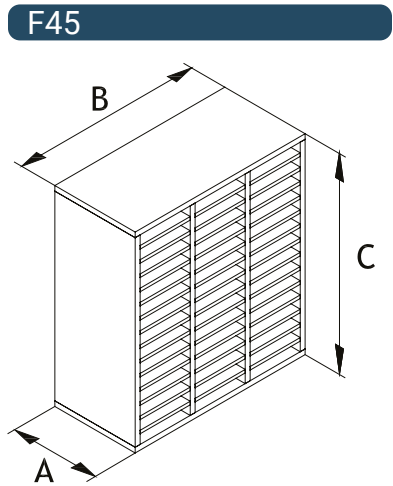
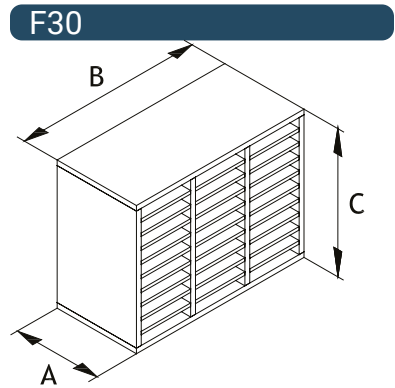
**How to Order**

|                   |          | 5<br>10<br>15<br>20 | LS            |
|-------------------|----------|---------------------|---------------|
| ML                | F        |                     |               |
| series            | code     | compartments        | letter format |
| <b>Example ML</b> | <b>F</b> | 20                  |               |



# Bookcases and Cabinets

## Pigeonhole Units



**Manufacturing Standards**

- Frame and vertical separators are 1" laminate with 1.5 mm PVC edges;
- Fixed 5/8" thick laminate shelves with 1.5 mm PVC edge.

**Prices**

**F30 - 30 Compartment Form Holder**

| Code | Dimensions |         |         |      |
|------|------------|---------|---------|------|
|      | A          | B       | C       | ML   |
| F30  | 16-3/8"    | 34-5/8" | 26-5/8" | 1506 |

**F45 - 45 Compartment Form Holder**

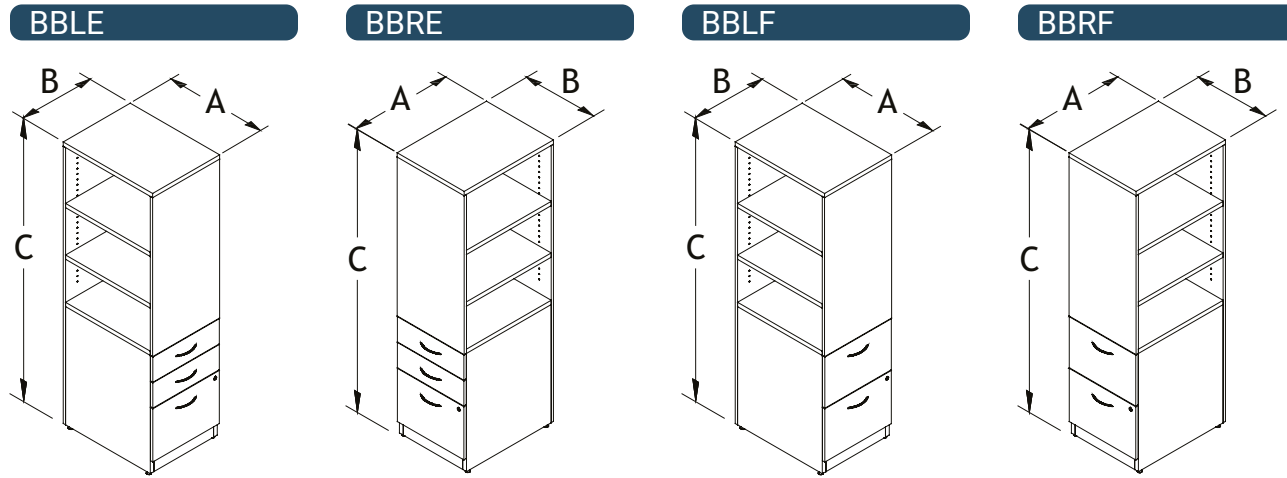
| Code | Dimensions |         |         |      |
|------|------------|---------|---------|------|
|      | A          | B       | C       | ML   |
| F45  | 16-3/8"    | 34-5/8" | 38-7/8" | 2164 |

**How to Order**

|                   |          |              |
|-------------------|----------|--------------|
|                   |          | 30<br>45     |
| <b>ML</b>         | <b>F</b> |              |
| series            | code     | compartments |
| <b>Example ML</b> | <b>F</b> | <b>30</b>    |

# Bookcases and Cabinets

## Multiple Units



**Manufacturing Standards**

- Adjustable shelves;
- Shelf brackets;
- HJAB handle;
- Lock.

**Number of adjustable shelves included:**  
 51" H: 2 shelves, 66" - 72" H: 3 shelves, 84" H: 4 shelves.

**Handle:** For a handle other than HJAB standard, please choose from the Logiflex list at no extra charge.

**Additional shelves (SH):** see Appendix G for prices, p. 17

**Options**

**Additional Shelves**

**Prices**

| Dimensions |      |
|------------|------|
| A B C      | ML   |
| 201951     | 1382 |
| 241951     | 1415 |
| 301951     | 1452 |
|            |      |
| 201966     | 1411 |
| 241966     | 1446 |
| 301966     | 1479 |
|            |      |
| 201972     | 1443 |
| 241972     | 1476 |
| 301972     | 1512 |
|            |      |
| 201984     | 1475 |
| 241984     | 1511 |
| 301984     | 1539 |

**High Gloss Front:** Please request a quotation to obtain a price.

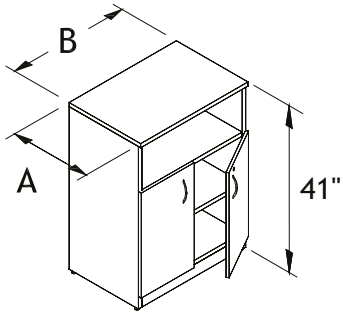
**How to Order**

| ML                | ABC        | BBLE<br>BBRE<br>BBLF<br>BBRF | HJAB (std)          | SH      |
|-------------------|------------|------------------------------|---------------------|---------|
| series            | dimensions | code                         | handles<br>(p. 162) | shelves |
| <b>Example ML</b> | 201951     | BBLE                         | HJAB                | SH      |

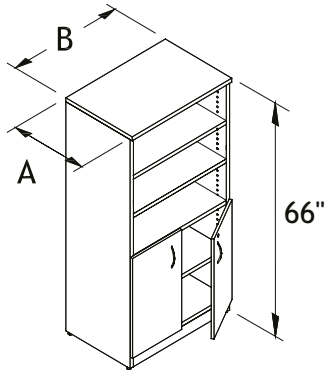
# Bookcases and Cabinets

## Multiple Units

### MU2



### MU4



### Manufacturing Standards

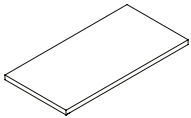
- Adjustable shelves;
- Shelf bracket;
- HJAB handles;
- Lock;
- 5/8" laminate back.

**Handles:** For handles other than HJAB standard, please choose from the Logiflex list at no extra charge.

**Additional shelves (SH):** see Appendix G for prices, p. 17

### Options

#### Additional Shelves



### Prices

**MU2** - Height: 41", 1 adjustable shelf

| Dimensions |   |      |
|------------|---|------|
| A          | B | ML   |
| 2030       |   | 1049 |
| 2036       |   | 1087 |
| 2430       |   | 1242 |
| 2436       |   | 1280 |

**MU4** - Height: 66", 3 adjustable shelves

| Dimensions |   |      |
|------------|---|------|
| A          | B | ML   |
| 2030       |   | 1387 |
| 2036       |   | 1427 |
| 2430       |   | 1579 |
| 2436       |   | 1619 |

### How to Order

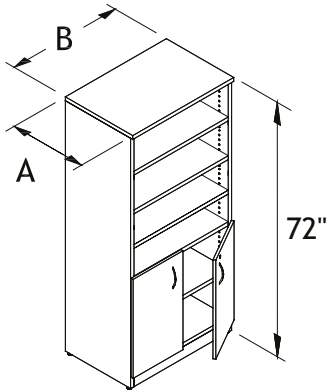
| ML                | AB        | MU        | <sup>2</sup> / <sub>4</sub> | HJAB (std)       | SHA             | SHB               |
|-------------------|-----------|-----------|-----------------------------|------------------|-----------------|-------------------|
| series            | dimension | code      | number                      | handles (p. 162) | cabinet shelves | bookshelf shelves |
| <b>Example ML</b> | 2030      | <b>MU</b> | 4                           | HJAB             |                 |                   |

**High Gloss Front:** Please request a quotation to obtain a price.

# Bookcases and Cabinets

## Multiple Units

### MU5



### Manufacturing Standards

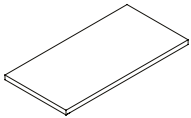
- Adjustable shelves;
- Shelf bracket;
- HJAB handles;
- Lock;
- 5/8" laminate back.

**Handles:** For handles other than HJAB standard, please choose from the Logiflex list at no extra charge.

**Additional shelves (SH):** see Appendix G for prices, p. 17

### Options

#### Additional Shelves



### Prices

**MU5** - Height: 72", 4 adjustable shelves

#### Dimensions

| A    | B | ML   |
|------|---|------|
| 2030 |   | 1439 |
| 2036 |   | 1479 |
| 2430 |   | 1631 |
| 2436 |   | 1672 |

### How to Order

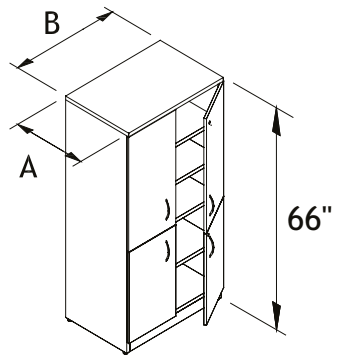
| ML                | AB        | MU        | 5      | HJAB (std)          | SHA                | SHB                  |
|-------------------|-----------|-----------|--------|---------------------|--------------------|----------------------|
| series            | dimension | code      | number | handles<br>(p. 162) | cabinet<br>shelves | bookshelf<br>shelves |
| <b>Example ML</b> | 2030      | <b>MU</b> | 5      | HJAB                |                    |                      |

**High Gloss Front:** Please request a quotation to obtain a price.

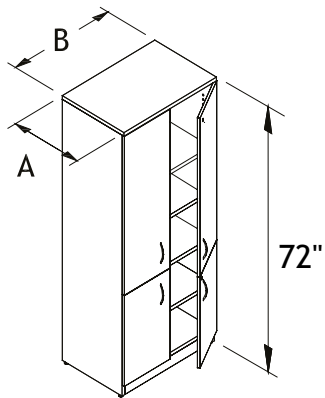
# Bookcases and Cabinets

## Multiple Units

### MU10



### MU11



### Manufacturing Standards

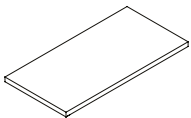
- Adjustable shelves;
- Shelf bracket;
- HJAB handles;
- Lock;
- 5/8" laminate back.

**Handles:** For handles other than HJAB standard, please choose from the Logiflex list at no extra charge.

**Additional shelves (SH):** see Appendix G for prices, p. 17

### Options

#### Additional Shelves



### How to Order

| ML                | AB        | MU        | 10<br>11 | HJAB (std)          | SH      |
|-------------------|-----------|-----------|----------|---------------------|---------|
| series            | dimension | code      | number   | handles<br>(p. 162) | shelves |
| <b>Example ML</b> | 2030      | <b>MU</b> | 10       | HJAB                | SH      |

### Prices

**MU10** - Height: 66", 3 adjustable shelves

| Dimensions |      |
|------------|------|
| A B        | ML   |
| 2030       | 1608 |
| 2036       | 1647 |
| 2430       | 1800 |
| 2436       | 1842 |

**MU11** - Height: 72", 3 adjustable shelves

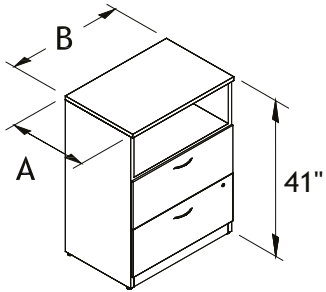
| Dimensions |      |
|------------|------|
| A B        | ML   |
| 2030       | 1656 |
| 2036       | 1699 |
| 2430       | 1850 |
| 2436       | 1893 |

**High Gloss Front:** Please request a quotation to obtain a price.

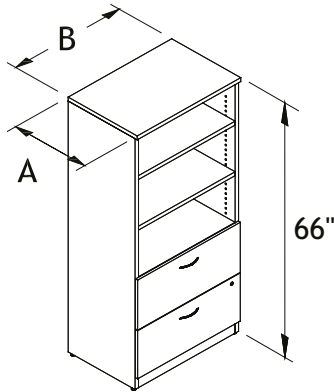
# Bookcases and Cabinets

## Multiple Units

### MU13



### MU15



### Manufacturing Standards

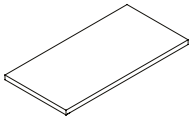
- Adjustable shelves;
- Shelf bracket;
- 2 lateral file drawers;
- 2 crossbars per file drawer;
- HJAB handles;
- Lock;
- 5/8" laminate back.

**Handles:** For handles other than HJAB standard, please choose from the Logiflex list at no extra charge.

**Additional shelves (SH):** see Appendix G for prices, p. 17

### Options

#### Additional Shelves



### Prices

#### MU13 - Height: 41"

##### Dimensions

| A    | B | ML   |
|------|---|------|
| 2030 |   | 1379 |
| 2036 |   | 1465 |
| 2430 |   | 1574 |
| 2436 |   | 1658 |

#### MU15 - Height: 66", 2 adjustable shelves

##### Dimensions

| A    | B | ML   |
|------|---|------|
| 2030 |   | 1722 |
| 2036 |   | 1847 |
| 2430 |   | 1862 |
| 2436 |   | 1975 |

### How to Order

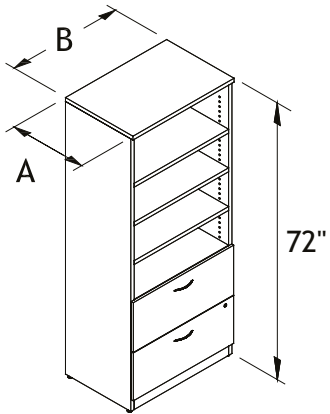
| ML                | AB        | MU        | 13<br>15 | HJAB (std)          | SH      |
|-------------------|-----------|-----------|----------|---------------------|---------|
| series            | dimension | code      | number   | handles<br>(p. 162) | shelves |
| <b>Example ML</b> | 2030      | <b>MU</b> | 15       | HJAB                | SH      |

**High Gloss Front:** Please request a quotation to obtain a price.

# Bookcases and Cabinets

## Multiple Units

### MU16



### Manufacturing Standards

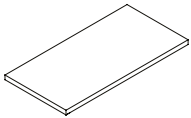
- Adjustable shelves;
- Shelf bracket;
- 2 lateral file drawers;
- 2 crossbars per file drawer;
- HJAB handles;
- Lock;
- 5/8" laminate back.

**Handles:** For handles other than HJAB standard, please choose from the Logiflex list at no extra charge.

**Additional shelves (SH):** see Appendix G for prices, p. 17

### Options

#### Additional Shelves



### Prices

**MU16** - Height: 72", 3 adjustable shelves

| Dimensions |      |
|------------|------|
| A B        | ML   |
| 2030       | 1820 |
| 2036       | 1969 |
| 2430       | 1920 |
| 2436       | 2069 |

### How to Order

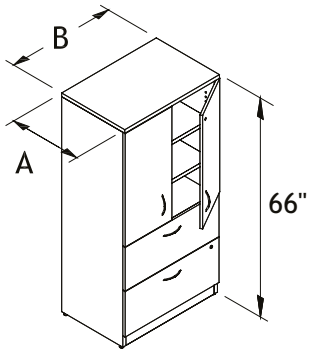
| ML                | AB        | MU        | 16     | HJAB (std)       | SH      |
|-------------------|-----------|-----------|--------|------------------|---------|
| series            | dimension | code      | number | handles (p. 162) | shelves |
| <b>Example ML</b> | 2030      | <b>MU</b> | 16     | HJAB             | SH      |

**High Gloss Front:** Please request a quotation to obtain a price.

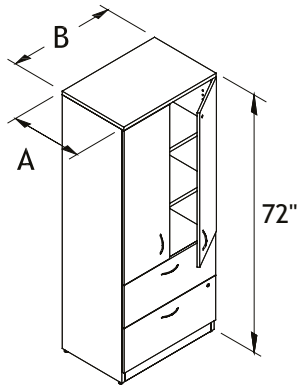
# Bookcases and Cabinets

## Multiple Units

### MU23



### MU24



### Manufacturing Standards

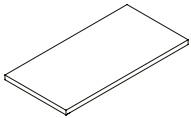
- Adjustable shelves;
- Shelf bracket;
- 2 lateral file drawers;
- 2 crossbars per file drawer;
- HJAB handles;
- Lock;
- 5/8" laminate back.

**Handles:** For handles other than HJAB standard, please choose from the Logiflex list at no extra charge.

**Additional shelves (SH):** see Appendix G for prices, p. 17

### Options

#### Additional Shelves



### Prices

#### MU23 - Height: 66", 2 adjustable shelves

##### Dimensions

| A    | B | ML   |
|------|---|------|
| 2030 |   | 2241 |
| 2036 |   | 2429 |
| 2430 |   | 2342 |
| 2436 |   | 2529 |

#### MU24 - Height: 72", 2 adjustable shelves

##### Dimensions

| A    | B | ML   |
|------|---|------|
| 2030 |   | 2274 |
| 2036 |   | 2471 |
| 2430 |   | 2438 |
| 2436 |   | 2625 |

### How to Order

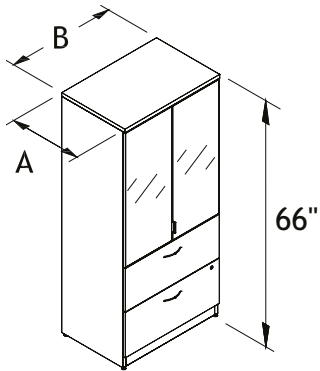
| ML                | AB        | MU        | 23<br>24 | HJAB (std)          | SH      |
|-------------------|-----------|-----------|----------|---------------------|---------|
| series            | dimension | code      | number   | handles<br>(p. 162) | shelves |
| <b>Example ML</b> | 2030      | <b>MU</b> | 24       | HJAB                | SH      |



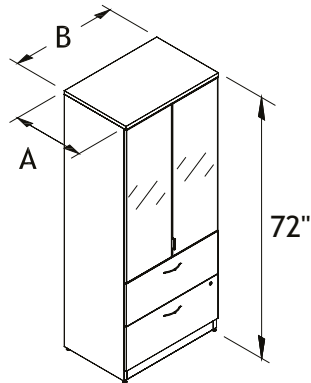
# Bookcases and Cabinets

## Multiple Units

### MU23FL



### MU24FL



### Manufacturing Standards

- White glass (V4) doors with aluminum-frame and built-in handle;
- Soft-close doors;
- Adjustable shelves;
- Shelf bracket;
- 2 lateral file drawers;
- Lock;
- HJA handles;
- 5/8" laminate back.

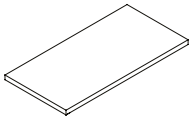
**Glass:** If the choice of glass is not specified, the standard is white glass (V4). For other choices of glass, consult the Logiflex color chart. Prices available upon quotation request.

**Handles:** For handles other than HJA standard, please choose from the Logiflex list at no extra charge.

**Additional shelves (SH):** see Appendix G for prices, p. 17

### Options

#### Additional Shelves



### Prices

#### MU23FL - Height: 66", 2 adjustable shelves

##### Dimensions

| A    | B | ML   |
|------|---|------|
| 2030 |   | 3196 |
| 2036 |   | 3555 |
| 2430 |   | 3302 |
| 2436 |   | 3661 |

#### MU24FL - Height: 72", 2 adjustable shelves

##### Dimensions

| A    | B | ML   |
|------|---|------|
| 2030 |   | 3429 |
| 2036 |   | 3807 |
| 2430 |   | 3537 |
| 2436 |   | 3917 |

### How to Order

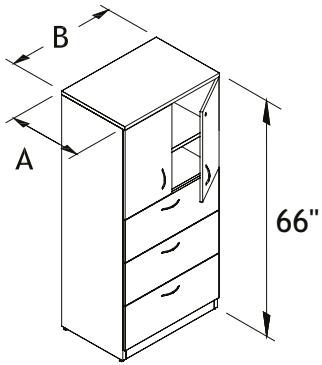
| ML                | AB        | MU        | 23FL<br>24FL | KB<br>PL<br>V4 (std) | HJA (std)           | KB<br>PL<br>V4 (std) | SH      |
|-------------------|-----------|-----------|--------------|----------------------|---------------------|----------------------|---------|
| series            | dimension | code      | number       | glass                | handles<br>(p. 162) | glass                | shelves |
| <b>Example ML</b> | 2030      | <b>MU</b> | 24FL         | VS                   | HJA                 | V4                   | SH      |

**High Gloss Front:** Please request a quotation to obtain a price.

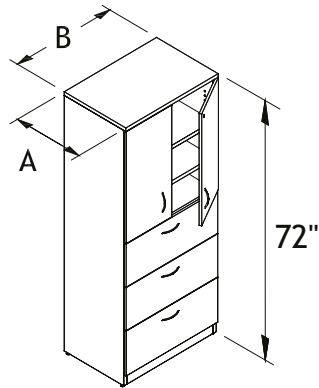
# Bookcases and Cabinets

## Multiple Units

### MU32



### MU33



### Manufacturing Standards

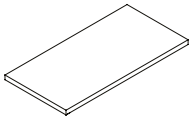
- Adjustable shelves;
- Shelf bracket;
- 3 lateral file drawers;
- 2 crossbars per file drawer;
- HJAB handles;
- Lock;
- 5/8" laminate back.

**Handles:** For handles other than HJAB standard, please choose from the Logiflex list at no extra charge.

**Additional shelves (SH):** see Appendix G for prices, p. 17

### Options

#### Additional Shelves



### Prices

**MU32** - Height: 66", 1 adjustable shelf

#### Dimensions

| A    | B | ML   |
|------|---|------|
| 2030 |   | 2622 |
| 2036 |   | 2812 |
| 2430 |   | 2770 |
| 2436 |   | 2946 |

**MU33** - Height: 72", 2 adjustable shelves

#### Dimensions

| A    | B | ML   |
|------|---|------|
| 2030 |   | 2720 |
| 2036 |   | 2907 |
| 2430 |   | 2865 |
| 2436 |   | 3044 |

### How to Order

| ML                | AB        | MU        | 32<br>33 | HJAB (std)          | SH      |
|-------------------|-----------|-----------|----------|---------------------|---------|
| series            | dimension | code      | number   | handles<br>(p. 162) | shelves |
| <b>Example ML</b> | 2030      | <b>MU</b> | 33       | HJAB                | SH      |

**High Gloss Front:** Please request a quotation to obtain a price.

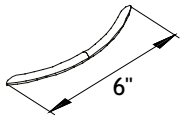


# Accessories

## Handles

### HJA

Handle

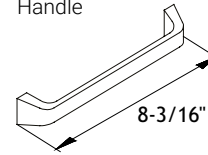


- 6" metal handle;
- 5-1/32" (128mm) center to center.

| Code | \$ | Description  |
|------|----|--------------|
| HJA  | 14 | Satin Nickel |
| HJAB | 14 | Black        |

### H070

Handle

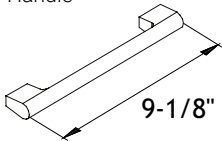


- 8-3/16" metal handle;
- 7-1/2" (190.5mm) center to center.

| Code    | \$ | Description    |
|---------|----|----------------|
| H070BN  | 14 | Brushed Nickel |
| H070CHR | 14 | Chrome         |

### H011

Handle

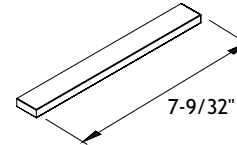


- 9-1/8" metal handle;
- 8-13/16" (224mm) center to center.

| Code | \$ | Description  |
|------|----|--------------|
| H011 | 14 | Satin Nickel |

### H071

Handle

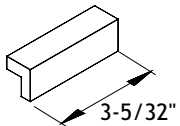


- 7-9/32" metal handle;
- 6-5/16" (160.338mm) center to center.

| Code    | \$ | Description    |
|---------|----|----------------|
| H071CHR | 14 | Chrome         |
| H071BN  | 14 | Brushed Nickel |
| H071BL  | 14 | Black          |
| H071WH  | 14 | White          |

### H051

Handle

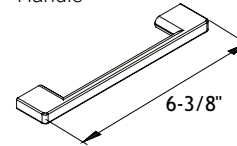


- 3-5/32" metal handle;
- 2-17/32" (64mm) center to center.

| Code    | \$ | Description  |
|---------|----|--------------|
| H051CHR | 14 | Chrome       |
| H051SN  | 14 | Satin Nickel |
| H051BL  | 14 | Black        |
| H051WH  | 14 | White        |

### H072

Handle

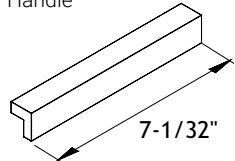


- 6-3/8" metal handle;
- 5-1/32" (127.8mm) center to center.

| Code    | \$ | Description |
|---------|----|-------------|
| H072CHR | 14 | Chrome      |
| H072BL  | 14 | Black       |
| H072WH  | 14 | White       |

### H052

Handle

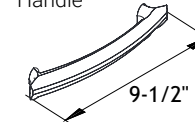


- 7-1/32" metal handle;
- 6-9/32" (160mm) center to center.

| Code    | \$ | Description  |
|---------|----|--------------|
| H052CHR | 14 | Chrome       |
| H052SN  | 14 | Satin Nickel |
| H052BL  | 14 | Black        |
| H052WH  | 14 | White        |

### SXP002

Handle

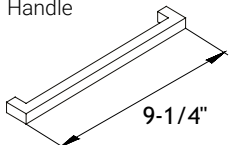


- 9-1/2" metal handle;
- 7-9/16" (192mm) center to center.

| Code   | \$ | Description  |
|--------|----|--------------|
| SXP002 | 14 | Satin Nickel |

### H060

Handle

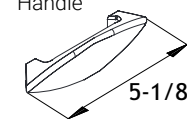


- 9-1/4" metal handle;
- 8-3/4" (222.25mm) center to center.

| Code    | \$ | Description    |
|---------|----|----------------|
| H060BN  | 14 | Brushed Nickel |
| H060CHR | 14 | Chrome         |

### SXP003

Handle



- 5-1/8" metal handle;
- 3-25/32" (96mm) center to center.

| Code   | \$ | Description  |
|--------|----|--------------|
| SXP003 | 14 | Satin Nickel |

# Accessories

## Legs

### 4.5

Round Leg

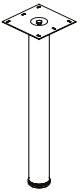


- Fixed round metal leg / on leveler;
- 4-1/2" diameter;
- 6" x 6" end plate;
- Finish: Black (BL) and Satin Nickel (SN);
- Height: 27-1/2".

| Code         | \$         | Description         |
|--------------|------------|---------------------|
| <b>4.5BL</b> | <b>254</b> | <i>Black</i>        |
| <b>4.5SN</b> | <b>254</b> | <i>Satin Nickel</i> |

### IFN

Round Leg

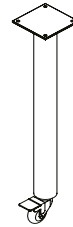


- Fixed round metal leg / on leveler;
- 2-1/2" diameter;
- 3-3/4" x 3-3/4" end plate screwed to the leg;
- Finish: Black (BL) and Satin Nickel (SN);
- Height: 27-1/2".

| Code         | \$        | Description         |
|--------------|-----------|---------------------|
| <b>IFNBL</b> | <b>89</b> | <i>Black</i>        |
| <b>IFNSN</b> | <b>89</b> | <i>Satin Nickel</i> |

### IFW

Round Leg

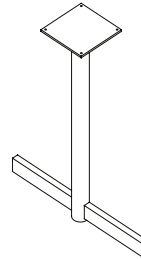


- Fixed round metal leg;
- 2-1/2" diameter;
- Locking wheel;
- 3-3/4" x 3-3/4" end plate;
- Finish: Black (BL) and Satin Nickel (SN);
- Height: 28".

| Code         | \$         | Description         |
|--------------|------------|---------------------|
| <b>IFWBL</b> | <b>156</b> | <i>Black</i>        |
| <b>IFWSN</b> | <b>156</b> | <i>Satin Nickel</i> |

### MT

T Leg



- Fixed metal T leg;
- Base: 22" (CHR), 26", 30" or 36" (BL) and (CHR);
- 8" x 8" end plate;
- Finish: Black (BL) and Chrome (CHR);
- Height: 27-1/2".

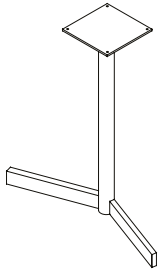
| Code           | \$         | Description             |
|----------------|------------|-------------------------|
| <b>MT26BL</b>  | <b>234</b> | <i>26" base, Black</i>  |
| <b>MT30BL</b>  | <b>234</b> | <i>30" base, Black</i>  |
| <b>MT36BL</b>  | <b>234</b> | <i>36" base, Black</i>  |
| <b>MT22CHR</b> | <b>234</b> | <i>22" base, Chrome</i> |
| <b>MT26CHR</b> | <b>234</b> | <i>26" base, Chrome</i> |
| <b>MT30CHR</b> | <b>234</b> | <i>30" base, Chrome</i> |
| <b>MT36CHR</b> | <b>234</b> | <i>36" base, Chrome</i> |

# Accessories

## Legs

### MY

Y Leg

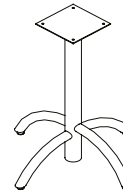


- Fixed metal Y leg;
- Base: 26", 30" or 36";
- 8" x 8" end plate;
- Finish: Black (BL) and Chrome (CHR);
- Height: 27-1/2".

| Code    | \$  | Description      |
|---------|-----|------------------|
| MY26BL  | 234 | 26" base, Black  |
| MY30BL  | 234 | 30" base, Black  |
| MY36BL  | 234 | 36" base, Black  |
| MY26CHR | 234 | 26" base, Chrome |
| MY30CHR | 234 | 30" base, Chrome |
| MY36CHR | 234 | 36" base, Chrome |

### MXLX

Deluxe Cross Leg

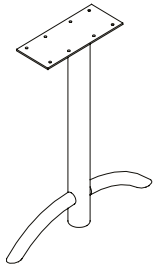


- Fixed Deluxe metal cross leg / on leveler;
- Base: 24", 30" or 36";
- 8" x 8" end plate;
- Finish: Black (BL) and Satin Nickel (SN);
- Height: 27-1/2".

| Code     | \$  | Description            |
|----------|-----|------------------------|
| MXLX24BL | 645 | 24" base, Black        |
| MXLX30BL | 645 | 30" base, Black        |
| MXLX36BL | 645 | 36" base, Black        |
| MXLX24SN | 645 | 24" base, Satin Nickel |
| MXLX30SN | 645 | 30" base, Satin Nickel |
| MXLX36SN | 645 | 36" base, Satin Nickel |

### TF

Deluxe T Leg

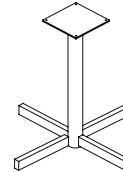


- Fixed Deluxe metal T leg / on levelers;
- Base: 24";
- 5" x 12" end plate;
- Finish: Black (BL) and Satin Nickel (SN);
- Height: 27-1/2".

| Code    | \$  | Description            |
|---------|-----|------------------------|
| TF24NBL | 264 | 24" base, Black        |
| TF24NSN | 264 | 24" base, Satin Nickel |

### MX

Cross Leg

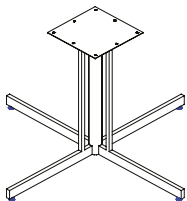


- Fixed metal cross leg;
- Base: 26", 30" or 36";
- 8" x 8" end plate;
- Finish: Black (BL) and Chrome (CHR);
- Height: 27-1/2".

| Code    | \$  | Description      |
|---------|-----|------------------|
| MX26BL  | 258 | 26" base, Black  |
| MX30BL  | 303 | 30" base, Black  |
| MX36BL  | 303 | 36" base, Black  |
| MX26CHR | 303 | 26" base, Chrome |
| MX30CHR | 303 | 30" base, Chrome |
| MX36CHR | 303 | 36" base, Chrome |

### MXH44

Heavy Duty Cross Leg



- Fixed Heavy Duty metal cross leg / on leveler;
- Base: 44"
- 12" x 12" end plate;
- Finish: Black (BL);
- Height: 27-1/2".

| Code    | \$  | Description |
|---------|-----|-------------|
| MXH44BL | 475 | Black       |

# Accessories

## Legs

### HATLEY

Fixed Leg



- Set of two 28" tapered legs with wood insert;
- 4" x 4" end plate;
- Finish: Satin Nickel (SN) and Chrome (CHR);
- Height: 28".

| Code   | \$  | Description  |
|--------|-----|--------------|
| HATSN  | 329 | Satin Nickel |
| HATCHR | 329 | Chrome       |
| HATBL  | 329 | Black        |

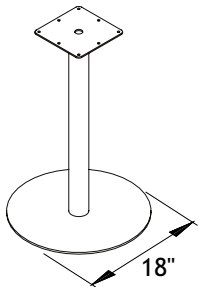
#### Varnish and Stain Colors of Wooden Insert

|                        |                    |
|------------------------|--------------------|
| <b>GW</b> Golden Wheat | <b>PN</b> Pecan    |
| <b>WW</b> White Wash   | <b>CF</b> Coffee   |
| <b>CT</b> Chestnut     | <b>BR</b> Brandy   |
| <b>ES</b> Espresso     | <b>BK</b> Bark     |
| <b>AT</b> Apricot      | <b>SD</b> Sand     |
| <b>BW</b> Black Wash   | <b>BO</b> Bordeaux |

For stability reasons, please check with your account manager the dimensions of your furniture when ordering these legs separately from the surface.

### MAGOG

Fixed Leg



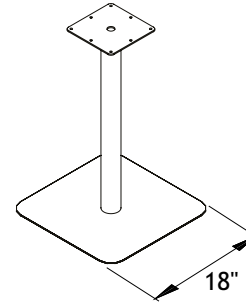
- Fixed Magog leg;
- Base: 18";
- 8" x 8" end plate;
- Finish: Satin Nickel (SN), Black (BL) and Chrome (CHR);
- Height: 28".

| Code   | \$   | Description  |
|--------|------|--------------|
| MAGSN  | 571  | Satin Nickel |
| MAGBL  | 571  | Black        |
| MAGCHR | 1166 | Chrome       |
| MAGWH  | 571  | White        |

For stability reasons, please check with your account manager the dimensions of your furniture when ordering this leg separately from the surface.

### LENNOX

Fixed Leg



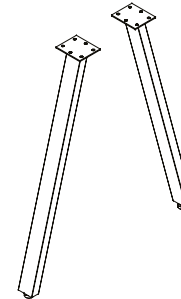
- Fixed Lennox leg;
- Base: 18";
- 8" x 8" end plate;
- Finish: Satin Nickel (SN), Black (BL) and Chrome (CHR);
- Height: 28".

| Code   | \$   | Description  |
|--------|------|--------------|
| LENSN  | 571  | Satin Nickel |
| LENBL  | 571  | Black        |
| LENCHR | 1166 | Chrome       |
| LENWH  | 571  | White        |

For stability reasons, please check with your account manager the dimensions of your furniture when ordering this leg separately from the surface.

### RA2

Angled Rectangular Leg



- Set of 2 angled rectangular metal legs;
- Dimensions: 2" x 1";
- Finish: Satin Nickel (SN) and Black (BL);
- Height: 28".

| Code  | \$  | Description  |
|-------|-----|--------------|
| RA2SN | 188 | Satin Nickel |
| RA2BL | 188 | Black        |
| RA2WH | 188 | White        |

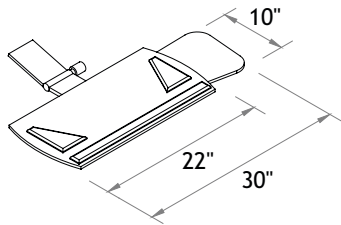
For stability reasons, please check with your account manager the dimensions of your furniture when ordering this leg separately from the surface.

# Accessories

## Keyboard Trays

### KB360M

Keyboard Tray

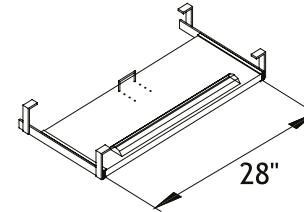


- Black plastic 24-1/2" wide retractable ergonomic keyboard;
- Lift-N-Lock spring system (no lever) to adjust height;
- Handle for easy tilt adjustment from 10° to 15°;
- 10" x 7-1/2" mouse tray;
- 19" black gel wrist rest;
- 360° rotation.

| Code   | \$  | Description |
|--------|-----|-------------|
| KB360M | 615 |             |

### KBMODR

Keyboard Tray

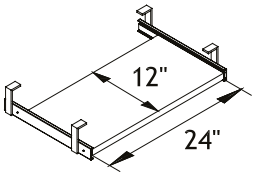


- 28" wide keyboard tray;
- 1" thick laminate;
- Adjustable height from 1-3/4 to 2-3/4" / additional 2" for slides;
- Black gel wrist rest / depth-adjustable stop handles.

| Code   | \$  | Description |
|--------|-----|-------------|
| KBMODR | 315 |             |

### KB

Keyboard Tray

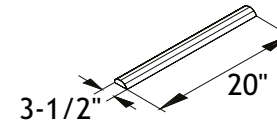


- 24" wide keyboard tray only;
- 5/8" and 1" thick laminate;
- Adjustable height from 1-3/4" to 2-3/4" / additional 2" for slides.

| Code | \$  | Description         |
|------|-----|---------------------|
| KB   | 194 | 1" thick laminate   |
| KBT  | 183 | 5/8" thick laminate |

### AP

Wrist Rest

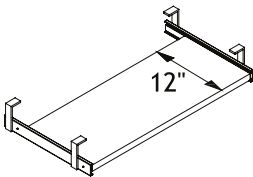


- Black gel wrist rest.

| Code | \$ | Description |
|------|----|-------------|
| AP   | 74 |             |

### KBMOD

Keyboard Tray



- Keyboard tray, available in lengths from minimum 24" to maximum 30";
- 5/8" and 1" thick laminate;
- Adjustable height from 1-3/4 to 2-3/4" / additional 2" for slides.

| Code   | \$  | Description         |
|--------|-----|---------------------|
| KBMOD  | 233 | 1" thick laminate   |
| KBMODT | 222 | 5/8" thick laminate |

To order, for example a 27" long keyboard tray, 5/8" thick laminate: KBMODT27

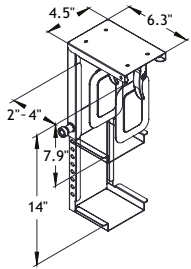


# Accessories

## CPU Holders

### MCPU50

Miniature CPU Holder

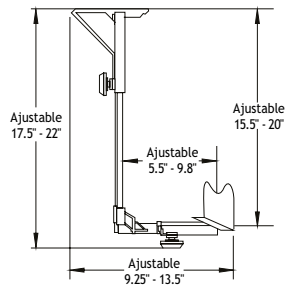


- Height adjustable: 8" - 14";
- Width adjustable: 2" - 4";
- Maximum capacity: 10 kg (22 lbs);
- Need a minimum 5" deep clearance.

| Code   | \$  | Description |
|--------|-----|-------------|
| MCPU50 | 171 |             |

### MCPU90

CPU Holder

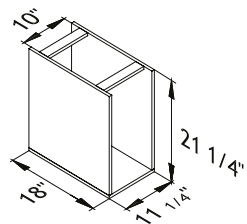


- Black metal CPU holder;
- Easy manipulation;
- Vertical adjustment:
  - Height: 15.5" x 20"
  - Width: 5.5" x 9.8"
- Horizontal adjustment:
  - Height: 17.5" x 22"
  - Width: 9.25" x 13.5"

| Code   | \$  | Description |
|--------|-----|-------------|
| MCPU90 | 216 | per unit    |

### CPUIND

CPU Holder



- 5/8" thick laminate CPU holder;
- 10" x 20" interior

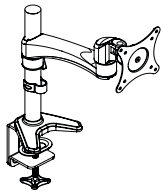
| Code   | \$  | Description |
|--------|-----|-------------|
| CPUIND | 184 | per unit    |

# Accessories

## Computer Monitor Brackets

### C-1A

Computer Monitor Bracket

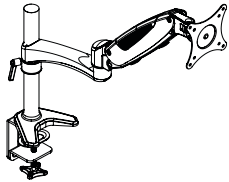


- Computer monitor bracket with fixed arm support;
- Height-adjustable arm;
- Clamp mounted;
- Finish: Black.

| Code | \$  | Description |
|------|-----|-------------|
| C-1A | 139 |             |

### C-1B

Computer Monitor Bracket

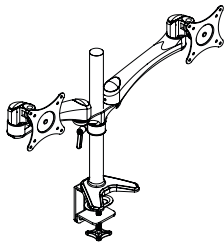


- Computer monitor bracket with flexible arm support;
- Height-adjustable arm;
- Clamp mounted;
- Finish: Black.

| Code | \$  | Description |
|------|-----|-------------|
| C-1B | 236 |             |

### C-2A

Double Computer Monitor Bracket

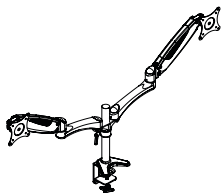


- Double computer monitor bracket with fixed arm support;
- Height-adjustable arms;
- Clamp mounted;
- Finish: Black.

| Code | \$  | Description |
|------|-----|-------------|
| C-2A | 235 |             |

### C-2B

Double Computer Monitor Bracket

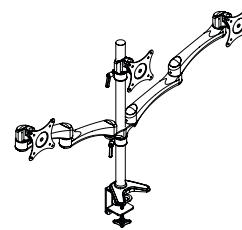


- Double computer monitor bracket with flexible arm support;
- Height-adjustable arms;
- Clamp mounted;
- Finish: Black.

| Code | \$  | Description |
|------|-----|-------------|
| C-2B | 418 |             |

### C-2A-1S

Triple Computer Monitor Bracket

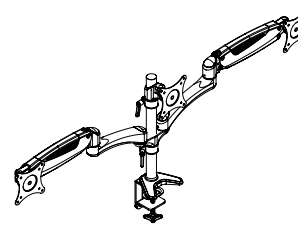


- Triple computer monitor bracket with fixed arm support;
- Height-adjustable arms;
- Clamp mounted;
- Finish: Black.

| Code    | \$  | Description |
|---------|-----|-------------|
| C-2A-1S | 405 |             |

### C-2B-1S

Triple Computer Monitor Bracket



- Triple monitor bracket with 2 flexible arm supports;
- Height-adjustable arms;
- Clamp mounted;
- Finish: Black.

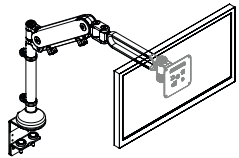
| Code    | \$  | Description |
|---------|-----|-------------|
| C-2B-1S | 459 |             |

# Accessories

## Computer Monitor Brackets

### BRSC1M4

Monitor Arm

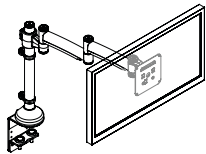


- Monitor arm with height-adjustable arm, clamp-mounted;
- Finish: Satin nickel.

| Code                           | \$  | Description |
|--------------------------------|-----|-------------|
| BRSC1M4                        | 717 |             |
| This is a Human Scale product. |     |             |

### BRSC1M7

Monitor Arm

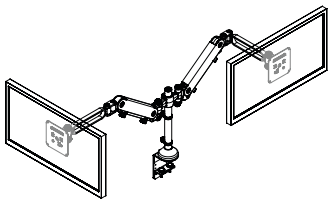


- Monitor arm with fixed-height arm, clamp-mounted;
- Finish: Satin nickel.

| Code                           | \$  | Description |
|--------------------------------|-----|-------------|
| BRSC1M7                        | 506 |             |
| This is a Human Scale product. |     |             |

### BRSC2M4

Double Monitor Arm

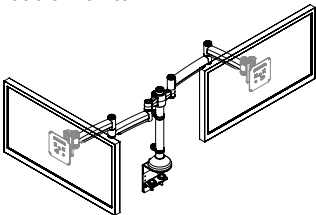


- Double monitor arm with height-adjustable arm, clamp-mounted;
- Finish: Satin nickel.

| Code                           | \$   | Description |
|--------------------------------|------|-------------|
| BRSC2M4                        | 1261 |             |
| This is a Human Scale product. |      |             |

### BRSC2M7

Double Monitor Arm

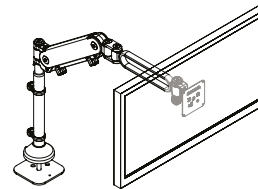


- Double monitor arm with fixed-height arm, clamp-mounted;
- Finish: Satin nickel.

| Code                           | \$  | Description |
|--------------------------------|-----|-------------|
| BRSC2M7                        | 783 |             |
| This is a Human Scale product. |     |             |

### BRSG1M4

Computer Monitor Bracket

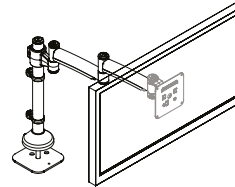


- Computer monitor bracket with height-adjustable arm;
- Grommet mounted;
- Finish: Satin Nickel.

| Code                           | \$  | Description |
|--------------------------------|-----|-------------|
| BRSG1M4                        | 689 |             |
| This is a Human Scale product. |     |             |

### BRSG1M7

Computer Monitor Bracket

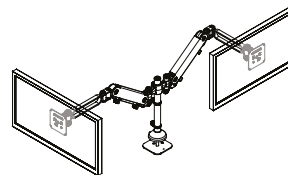


- Computer monitor bracket with fixed-height arm;
- Grommet mounted;
- Finish: Satin Nickel.

| Code                           | \$  | Description |
|--------------------------------|-----|-------------|
| BRSG1M7                        | 471 |             |
| This is a Human Scale product. |     |             |

### BRSG2M4

Double Computer Monitor Bracket

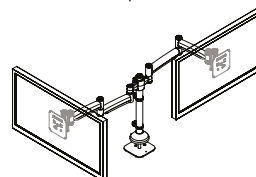


- Double computer monitor bracket with height-adjustable arm;
- Grommet mounted;
- Finish: Satin Nickel.

| Code                           | \$   | Description |
|--------------------------------|------|-------------|
| BRSG2M4                        | 1252 |             |
| This is a Human Scale product. |      |             |

### BRSG2M7

Double Computer Monitor Bracket



- Double computer monitor bracket with fixed height;
- Grommet mounted;
- Finish: Satin Nickel.

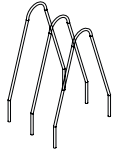
| Code                           | \$  | Description |
|--------------------------------|-----|-------------|
| BRSG2M7                        | 748 |             |
| This is a Human Scale product. |     |             |

# Accessories

## Miscellaneous Accessories

### WD

Wire Separators

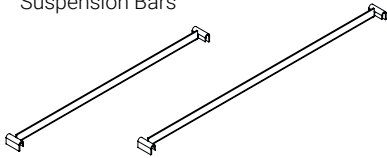


- Set of 3 wire separators.

| Code | \$ | Description |
|------|----|-------------|
| WD   | 29 | Set of 3    |

### SB

Suspension Bars



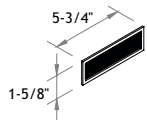
- Short suspension bars (12,5"): 1 or 2 suspension bars for a left/right filing for a regular file drawer;
- Long suspension bars (15,5"): 1 or 2 suspension bars for a front/back filing for a lateral file drawer.

| Code | \$ | Description             |
|------|----|-------------------------|
| SBV1 | 7  | 1 short suspension bar  |
| SBV2 | 14 | 2 short suspension bars |
| SBH1 | 7  | 1 long suspension bar   |
| SBH2 | 14 | 2 long suspension bars  |

See Appendix F

### GRILLB

Ventilation Grill

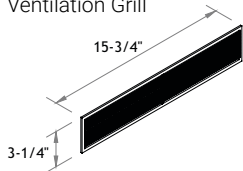


- Black ventilation grill;
- Factory installed only.

| Code   | \$ | Description |
|--------|----|-------------|
| GRILLB | 57 |             |

### GRILLW

Ventilation Grill

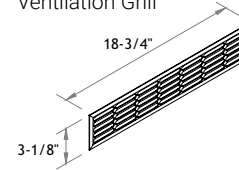


- White ventilation grill;
- Factory installed only.

| Code   | \$ | Description |
|--------|----|-------------|
| GRILLW | 72 |             |

### GRILLSN

Ventilation Grill

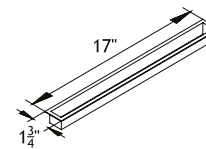


- Satin nickel ventilation grill;
- Factory installed only.

| Code    | \$ | Description |
|---------|----|-------------|
| GRILLSN | 72 |             |

### PS

Black Paper Grommet

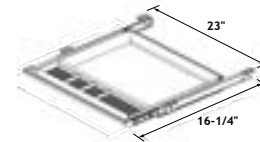


- Black paper grommet, sold separately or factory installed;
- Installation location must be specified.

| Code  | \$ | Description       |
|-------|----|-------------------|
| PS    | 18 | Sold separately   |
| PSINS | 92 | Factory installed |

### TCPM

Sliding Drawer



- Black plastic sliding drawer with steel ball bearing slides.

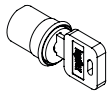
| Code | \$  | Description |
|------|-----|-------------|
| TCPM | 194 |             |

# Accessories

## Miscellaneous Accessories

### LK

Lock/key



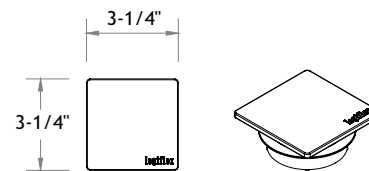
- Locks with keys
- Finish: Satin nickel or black finish;
- Additional locks, sold separately or factory installed;
- Please specify the type of furniture on which the will be installed.

| Code     | \$ | Description                           |
|----------|----|---------------------------------------|
| LKSN     | 44 | Satin Nickel lock (factory installed) |
| LKBL     | 44 | Black lock (factory installed)        |
| LKSNF    | 29 | Satin Nickel front lock               |
| LKBLF    | 29 | Black front lock                      |
| LKSNP    | 29 | Satin Nickel door lock                |
| LKBLP    | 29 | Black door lock                       |
| KEY      | 24 | Set of 2 keys - #501 - 600            |
| SERR 010 | 24 | 1 master key                          |



### C\_PF

Grommet

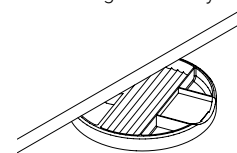


- Square metal grommet with the Logiflex logo engraved;
- Finish: Satin Nickel, Black and Chrome;
- 2-1/2" diameter cutout.

| Code | \$ | Description               |
|------|----|---------------------------|
| CAPF | 26 | Unit price - Satin Nickel |
| CBPF | 26 | Unit price - Black        |
| CCPF | 26 | Unit price - Chrome       |
| CDPF | 26 | Unit price - White        |

### SWV

Swivel Organizer Tray

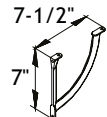


- Storage drawer that rotate 360 degrees;
- Mounts flush to the edge;
- Dimensions: 7-1/2"D x 8-7/8"W x 1"H.

| Code | \$ | Description |
|------|----|-------------|
| SWV  | 63 |             |

### WBRNS

Wall Bracket for Shelves



- Satin nickel finish.

| Code  | \$  | Description   |
|-------|-----|---------------|
| WBRNS | 103 | Sold in pairs |

### ELPF

Black Plastic Grommet



- Standard black plastic grommet with the Logiflex logo engraved;
- 2-1/2" diameter cutout.

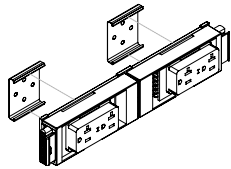
| Code | \$ | Description |
|------|----|-------------|
| ELPF | 6  | Unit price  |

# Accessories

## Electrical Accessories

### BE-KDHB-1

Single sided power block (1)



Set including:

- Single sided power block (1);
- 2 Duplex -1 circuit;
- 2 mounting plates;
- Max. 10 duplex per circuit (5 double half power block BE-KDHB-1).

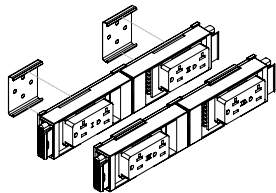
| Code | \$ | Description |
|------|----|-------------|
|------|----|-------------|

|              |     |  |
|--------------|-----|--|
| BE-KDHB-1-BL | 203 |  |
|--------------|-----|--|

|              |     |  |
|--------------|-----|--|
| BE-KDHB-1-WH | 213 |  |
|--------------|-----|--|

### BE-KDHB-4

Single sided power block (2)



Set including:

- Single sided power block (2);
- 4 Duplex -1 of each circuit;
- 4 Mounting plates;
- Max. 40 duplex (20 double half power block).

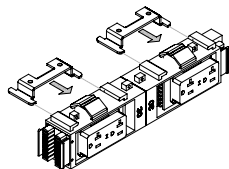
| Code | \$ | Description |
|------|----|-------------|
|------|----|-------------|

|              |     |  |
|--------------|-----|--|
| BE-KDHB-4-BL | 416 |  |
|--------------|-----|--|

|              |     |  |
|--------------|-----|--|
| BE-KDHB-4-WH | 426 |  |
|--------------|-----|--|

### BE-KDBSM-1

Double sided power block



Set including:

- Double sided power block;
- 4 duplex -1 circuit;
- 2 slide mounting brackets;
- Max. 10 duplex per circuit (2 double power block).

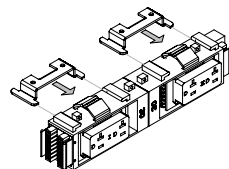
| Code | \$ | Description |
|------|----|-------------|
|------|----|-------------|

|               |     |  |
|---------------|-----|--|
| BE-KDBSM-1-BL | 390 |  |
|---------------|-----|--|

|               |     |  |
|---------------|-----|--|
| BE-KDBSM-1-WH | 408 |  |
|---------------|-----|--|

### BE-KDBSM-4

Double sided power block



Set including:

- Double sided power block;
- 4 duplex -1 of each circuit;
- 2 slide mounting brackets;
- Max. 40 duplex (10 double power block).

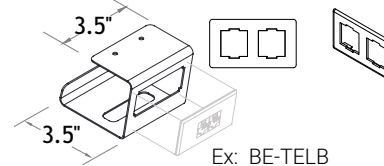
| Code | \$ | Description |
|------|----|-------------|
|------|----|-------------|

|               |     |  |
|---------------|-----|--|
| BE-KDBSM-4-BL | 390 |  |
|---------------|-----|--|

|               |     |  |
|---------------|-----|--|
| BE-KDBSM-4-WH | 408 |  |
|---------------|-----|--|

### SMWM

Cable Support



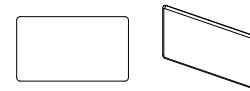
- 3.5" metal wire support with 1 telecom plate cutout;
- Satin nickel finish.

| Code | \$ | Description |
|------|----|-------------|
|------|----|-------------|

|      |    |  |
|------|----|--|
| SMWM | 29 |  |
|------|----|--|

### BE-TELA

Telecom plate



- Blank plate;
- 3-1/8" x 1-3/4";
- Colors: Black, White and Satin nickel;
- To be used with the APB, APF or AP2 cover plate option of the supply walls.

| Code | \$ | Description |
|------|----|-------------|
|------|----|-------------|

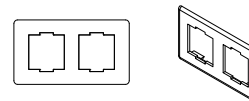
|            |   |  |
|------------|---|--|
| BE-TELA-BL | 6 |  |
|------------|---|--|

|            |   |  |
|------------|---|--|
| BE-TELA-WH | 6 |  |
|------------|---|--|

|            |   |  |
|------------|---|--|
| BE-TELA-SN | 6 |  |
|------------|---|--|

### BE-TELB

Telecom plate



- 2 spaces to install connection ports;
- 3-1/8" x 1-3/4";
- Adapter included.
- Colors: Black, White and Satin nickel.

| Code | \$ | Description |
|------|----|-------------|
|------|----|-------------|

|            |   |  |
|------------|---|--|
| BE-TELB-BL | 6 |  |
|------------|---|--|

|            |   |  |
|------------|---|--|
| BE-TELB-WH | 6 |  |
|------------|---|--|

|            |   |  |
|------------|---|--|
| BE-TELB-SN | 6 |  |
|------------|---|--|

### BE-HW

Hardwired conduit power entry



\* To be connected to an electrical box by an electrician.

- 8 wires - 4 circuits 20A;
- For 8 trac system;
- Bare wires at one end
- Male end.

| Code | \$ | Description |
|------|----|-------------|
|------|----|-------------|

|          |     |                          |
|----------|-----|--------------------------|
| BE-HW-72 | 182 | 8 wire, 4 circuit - 72"L |
|----------|-----|--------------------------|

|          |     |                          |
|----------|-----|--------------------------|
| BE-HW-84 | 198 | 8 wire, 4 circuit - 84"L |
|----------|-----|--------------------------|

|          |     |                          |
|----------|-----|--------------------------|
| BE-HW-96 | 221 | 8 wire, 4 circuit - 96"L |
|----------|-----|--------------------------|

|           |     |                           |
|-----------|-----|---------------------------|
| BE-HW-120 | 258 | 8 wire, 4 circuit - 120"L |
|-----------|-----|---------------------------|

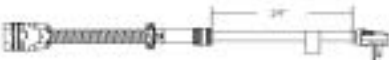
|           |     |                           |
|-----------|-----|---------------------------|
| BE-HW-180 | 378 | 8 wire, 4 circuit - 180"L |
|-----------|-----|---------------------------|

# Accessories

## Electrical Accessories

### BE-PI72

Corded Power entry



- Corded power entry of 72";
- Right angle 20 Amp plug;
- Male end;
- 1 circuit 20A;
- Must be plug on 20A outlet



| Code    | \$  | Description |
|---------|-----|-------------|
| BE-PI72 | 226 |             |

### BE-NYHW

NYC flex hardwired power infeed



- \* To be connected to an electrical box by an electrician.
- 8 wires - 4 circuits 20 A;
- Bare wires at one end;
- For 8 trac system;
- Male end.

| Code | \$ | Description |
|------|----|-------------|
|------|----|-------------|

|            |     |  |
|------------|-----|--|
| BE-NYHW-72 | 410 |  |
|------------|-----|--|

|            |     |  |
|------------|-----|--|
| BE-NYHW-84 | 431 |  |
|------------|-----|--|

|            |     |  |
|------------|-----|--|
| BE-NYHW-96 | 447 |  |
|------------|-----|--|

|             |     |  |
|-------------|-----|--|
| BE-NYHW-108 | 469 |  |
|-------------|-----|--|

|             |     |  |
|-------------|-----|--|
| BE-NYHW-120 | 487 |  |
|-------------|-----|--|



### BE-J

M/M jumper



- Non-adjustable;
- 8 wire - 4 circuits;
- M/M;
- For 8 trac system;
- Minimum 12" - Maximum 216".



| Code    | \$  | Description                      |
|---------|-----|----------------------------------|
| BE-J12  | 116 | 8 wire cable / 4 circuit - 12"L  |
| BE-J18  | 124 | 8 wire cable / 4 circuit - 18"L  |
| BE-J24  | 131 | 8 wire cable / 4 circuit - 24"L  |
| BE-J36  | 143 | 8 wire cable / 4 circuit - 36"L  |
| BE-J42  | 152 | 8 wire cable / 4 circuit - 42"L  |
| BE-J48  | 162 | 8 wire cable / 4 circuit - 48"L  |
| BE-J54  | 169 | 8 wire cable / 4 circuit - 54"L  |
| BE-J60  | 183 | 8 wire cable / 4 circuit - 60"L  |
| BE-J66  | 190 | 8 wire cable / 4 circuit - 66"L  |
| BE-J72  | 200 | 8 wire cable / 4 circuit - 72"L  |
| BE-J78  | 211 | 8 wire cable / 4 circuit - 78"L  |
| BE-J84  | 222 | 8 wire cable / 4 circuit - 84"L  |
| BE-J96  | 239 | 8 wire cable / 4 circuit - 96"L  |
| BE-J120 | 279 | 8 wire cable / 4 circuit - 120"L |
| BE-J216 | 519 | 8 wire cable / 4 circuit - 216"L |

### BE-HC

Harness connector F/F



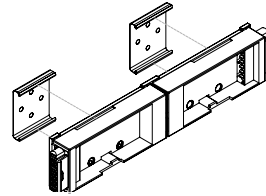
- Used to connect jumper cables and blocks together;
- 1-1/2" x 2-1/4".



| Code  | \$ | Description |
|-------|----|-------------|
| BE-HC | 54 |             |

### BE-DHB

Single sided power block



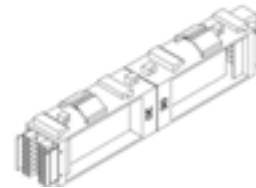
- Maximum of 2 duplex per block;
- Includes mounting plates ;
- F/F ;
- For 8-trac system ;
- Duplex ordered separately.



| Code   | \$  | Description |
|--------|-----|-------------|
| BE-DHB | 106 |             |

### BE-DBSM

Double sided power block



- Maximum of 4 duplex per block;
- For 8-trac system ;
- Slide mounting sold separately ;
- F/F ;
- Duplex ordered separately.



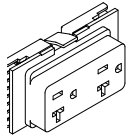
| Code    | \$  | Description |
|---------|-----|-------------|
| BE-DBSM | 152 |             |

# Accessories

## Electrical Accessories

### BE-D20-C

Duplex



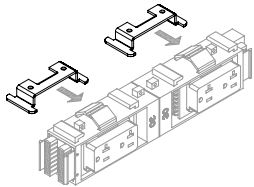
- 20 Amp;
- Height 1-1/18";
- For BE-DHB & BE-DBSM blocks ;
- Colors: Black or white ;
- Maximum of 10 Duplex per circuit.

| Code          | \$ | Description                      |
|---------------|----|----------------------------------|
| BE-D20-C-1-BL | 48 | Circuit 1 - 20A - Black          |
| BE-D20-C-2-BL | 48 | Circuit 2 - 20A - Black          |
| BE-D20-C-3-BL | 48 | Circuit 3 - 20A - Black          |
| BE-D20-C-4-BL | 48 | Isolated Circuit 4 - 20A - Black |
| BE-D20-C-1-WH | 54 | Circuit 1 - 20A - White          |
| BE-D20-C-2-WH | 54 | Circuit 2 - 20A - White          |
| BE-D20-C-3-WH | 54 | Circuit 3 - 20A - White          |
| BE-D20-C-4-WH | 54 | Isolated Circuit 4 - 20A - White |



### BE-SM58-2

Slide mount bracket



- 2 brackets;
- Only for the double power block (BE DBSM);
- 5/8" height;
- Screws included.

| Code      | \$ | Description |
|-----------|----|-------------|
| BE-SM58-2 | 42 |             |



### WM

Velcro Tie

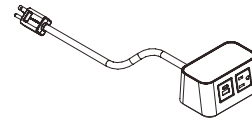


- Velcro tie for electrical cable;
- The non-metallic buckle is safe to use around electrical devices;
- Dimensions: 3/4" x 10";
- Color: black.

| Code | \$ | Description                              |
|------|----|--|
| WM   | 13 | Unit price                               |
| WMS  | 14 | with #8, 9/16" Robertson screw, per unit |

### BR1

Branch unit

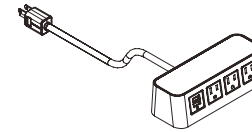


- 1 power outlet / 1 dual charger USB-a+c;
- Table top with braided storm 120 IN power cord.

| Code  | \$  | Description |
|-------|-----|-------------|
| BR1BL | 522 | Black       |
| BR1WH | 522 | White       |

### BR2

Branch unit

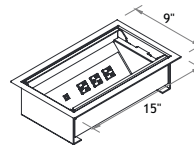


- 3 power outlet / 1 dual charger USB-a;
- Table top with braided storm 120 IN power cord.

| Code  | \$  | Description |
|-------|-----|-------------|
| BR2BL | 671 | Black       |
| BR2WH | 671 | White       |

### OAS

Oasis



- OAS A: 6 power receptacles, 2 USB (chargers), cutout for 1 Telecom plate;
- OAS B: 6 power receptacles, 2 USB (chargers), HDMI F/F with 36" patch cord attached, Mini Stereo Inline, 15 Pin HD VGA F/F with 72" patch cord attached;
- OAS C: 6 power receptacles, 2 USB (chargers), HDMI F/F with 36" patch cord attached;
- 108" power cable with electric plug;
- Satin Nickel finish.



| Code | \$   | Description |
|------|------|-------------|
| OASA | 2619 |             |
| OASB | 3035 |             |
| OASC | 2830 |             |

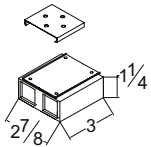


# Accessories

## Electrical Accessories

### BCSS1BL

Communication Box

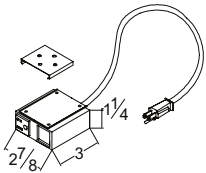


- Communication box to be installed under surface;
- 2 empty telecommunication outlets (outlets not included);
- 15A/125V;
- 1 set of universal adapters.

| Code    | \$  | Description             |
|---------|-----|-------------------------|
| BCSS1BL | 172 | Available in black only |

### BCSS2BL

Communication Box



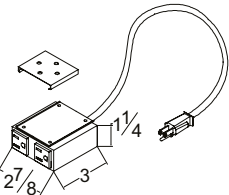
- Communication box to be installed under surface;
- 1 electrical outlet and 1 empty telecommunication outlet (outlet not included);
- 72" power cable with electric plug;
- 15A/125V;
- 1 set of universal adapters.



| Code    | \$  | Description             |
|---------|-----|-------------------------|
| BCSS2BL | 172 | Available in black only |

### BCSS3BL

Communication Box



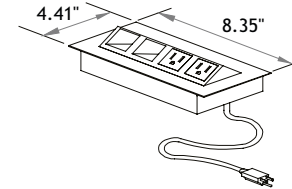
- Communication box to be installed under surface;
- 2 electrical outlets;
- 72" power cable with electric plug;
- 15A/125V;
- 1 set of universal adapters.



| Code    | \$  | Description             |
|---------|-----|-------------------------|
| BCSS3BL | 172 | Available in black only |

### MH1SN

Power/Data Centre

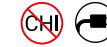
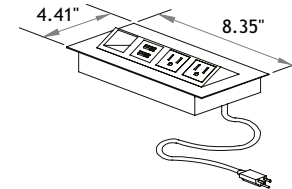


- Power/data centre with retractable door;
- 2 electrical outlets and 2 empty telecommunication outlets (outlets not included);
- 72" power cable with electric plug;
- 15A/125V. 1 set of universal adapters.

| Code     | \$  | Description                    |
|----------|-----|--------------------------------|
| MH1SN    | 684 | Satin Nickel, 72" power cable  |
| MH1SN120 | 696 | Satin Nickel, 120" power cable |
| MH1WH    | 684 | White, 72" power cable         |

### MH1B

Power/Data Centre



- Power/data centre with retractable door;
- 2 electrical outlets, 1 USB (charger) and 1 empty telecommunication outlet (outlet not included);
- 72" or 120" power cable with electric plug;
- 1 set of universal adapters.

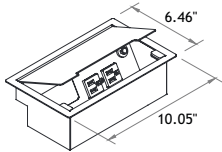
| Code      | \$  | Description                    |
|-----------|-----|--------------------------------|
| MH1BSN    | 767 | Satin Nickel, 72" power cable  |
| MH1BSN120 | 779 | Satin Nickel, 120" power cable |

# Accessories

## Electrical Accessories

### INT

Interact



- Interact:
  - 72" power cable with electric plug for INT A, INT B and INT C models;
  - Satin Nickel finish.
- INT A: 2 power receptacles and a cutout for 1 telecom plate, 3rd electrical outlet on underside.
- INT B: 2 power receptacles, 3rd electrical outlet on underside, HDMI F/F with 36" patch cord attached, Mini Stereo Inline, 15 Pin HD VGA F/F.
- INT C: 2 power receptacles, 3rd electrical outlet on underside, HDMI F/F with 36" patch cord attached.



| Code  | \$   | Description |
|-------|------|-------------|
| INT A | 721  |             |
| INT B | 1137 |             |
| INT C | 932  |             |

With electric plug

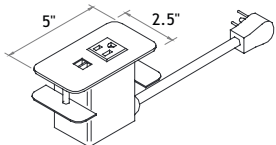


| Code     | \$   | Description |
|----------|------|-------------|
| INT A HW | 555  |             |
| INT B HW | 1137 |             |
| INT C HW | 931  |             |

Hardwire: to be connected to an electrical box by an electrician.

### COV1

Cove Unit



- 108" power cable with electric plug;
- Satin nickel finish.

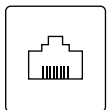


| Code | \$  | Description               |
|------|-----|---------------------------|
| COV1 | 581 | 1 power, 2 USB (chargers) |



### POR 01

RJ45, CAT 6 connectivity port

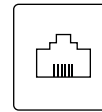


- RJ45, CAT6 connector;
- RJ45 M/F cable - 72";
- Finish: Black.

| Code   | \$  | Description |
|--------|-----|-------------|
| POR 01 | 144 |             |

### POR 02

RJ11 connectivity port

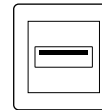


- RJ11 connector, 4 pin
- RJ11 M/F cable - 84";
- Finish: Black.

| Code   | \$ | Description |
|--------|----|-------------|
| POR 02 | 42 |             |

### POR 03

USB connectivity port

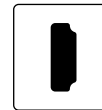


- 1 USB (data/passive);
- USB M/F cable - 72";
- Finish: Black.

| Code   | \$ | Description |
|--------|----|-------------|
| POR 03 | 89 |             |

### POR 04

HDMI connectivity port

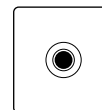


- HDMI connector;
- HDMI F/F cable - 18";
- Finish: Black.

| Code   | \$  | Description |
|--------|-----|-------------|
| POR 04 | 131 |             |

### POR 05

Mini Stereo Jack

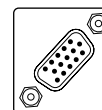


- 3.5 mm Mini Stereo Jack, M/F;
- Audio M/F cable -120";
- Finish: Black.

| Code   | \$ | Description |
|--------|----|-------------|
| POR 05 | 47 |             |

### POR 06

VGA Connector



- VGA connector, 15 pin;
- VGA M/F cable -120";
- Finish: Black.

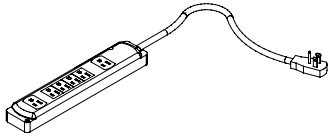
| Code   | \$  | Description |
|--------|-----|-------------|
| POR 06 | 167 |             |

# Accessories

## Electrical Accessories

### F-714

Power bar



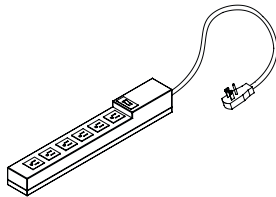
- Power bar with 6 AC 15 Amp electric outlets;
- 120", 14-3 power cable with electric plug.



| Code  | \$  | Description |
|-------|-----|-------------|
| F-714 | 118 |             |

### PBL

Power bar



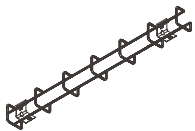
- Power bar with 6 electric outlets;
- 120" power cable with electric plug.



| Code | \$ | Description |
|------|----|-------------|
| PBL  | 65 |             |

### CT

Metal cable tray



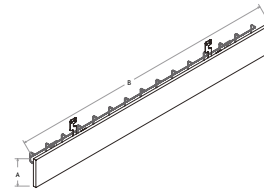
Metal cable tray

- In stainless steel;
- Dimensions: 2x4; Interior dimensions: 1-7/8"D x 1-7/8"H
- Length of 24" and 118" (118" can be cut on site).
- With mounting hardware

| Code  | \$  | Description |
|-------|-----|-------------|
| CT24  | 64  |             |
| CT118 | 110 |             |

### CTCOVER

Laminate cover



- Laminate cover for cable tray;
- Mounting brackets;
- Dimension "B" is 1/4" recessed.

| Code | \$ | Description |
|------|----|-------------|
| 53   |    | 6 x 30      |
| 58   |    | 6 x 36      |
| 64   |    | 6 x 42      |
| 69   |    | 6 x 48      |
| 76   |    | 6 x 54      |
| 81   |    | 6 x 60      |
| 87   |    | 6 x 66      |
| 92   |    | 6 x 72      |
| 99   |    | 6 x 78      |
| 104  |    | 6 x 84      |

### DSG

Double-sided grommet



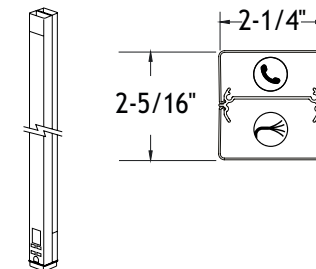
Double-sided grommet

- Hole diameter: 2.5"
- Use for electrical cable management with division panels. Drilling to be done by the installer.
- Grommet to cut on site for desired thickness to cover;
- Can not be cut with a simple utility knife, use a sharper and safer tool.

| Code   | \$ | Description |
|--------|----|-------------|
| DSG BL | 29 | Black       |
| DSG WH | 29 | White       |

### WMP

Wire Management Pole



- Blank steel pole to bring cables from the ceiling to a work station;
- Satin nickel finish with a grey boot base;
- 2 compartments: 1 power/1 communications
- Mounting hardware, entrance end plate and ceiling trim plate included;
- Wires and outlets not included;
- Height: 12' 5".

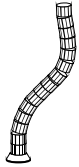
| Code | \$  | Description |
|------|-----|-------------|
| WMP  | 455 |             |

# Accessories

## Electrical Accessories

### SPINE

Wire Management Spine

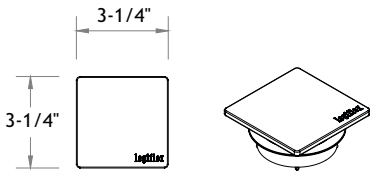


- 2" diameter;
- Gray plastic.

| Code  | \$  | Description |
|-------|-----|-------------|
| SPINE | 169 |             |

### C\_PF

Grommet

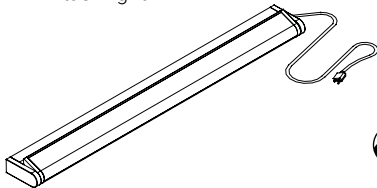


- Square metal grommet with the Logiflex logo engraved;
- Finish: Satin Nickel, Black and Chrome;
- 2-1/2" diameter cutout.

| Code | \$ | Description               |
|------|----|---------------------------|
| CAPF | 26 | Unit price - Satin Nickel |
| CBPF | 26 | Unit price - Black        |
| CCPF | 26 | Unit price - Chrome       |
| CDPF | 26 | Unit price - White        |

### DEL20

LED task light

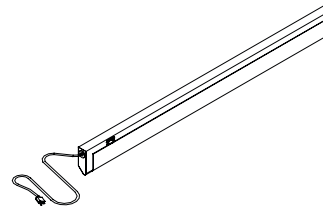


- 20" LED task light, 7.5W, cool white;
- 180° swivel feature;
- 72" power cable with electric plug;
- 20" connection wire for DEL20 task lamps;
- Finish: Satin nickel.

| Code  | \$  | Description |
|-------|-----|-------------|
| DEL20 | 218 | 20" length  |

### T5

Florescent task light

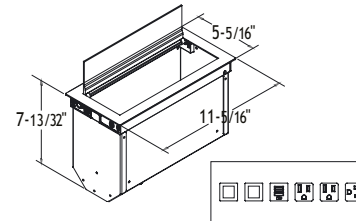


- Florescent lamp (T5) with swivel reflector and electronic ballast;
- 120" power cable with electric plug;
- 16" connection wire for T524, T536 or T548 florescent task lamps;
- Finish: Black and Satin Nickel

| Code    | \$  | Description               |
|---------|-----|---------------------------|
| T524 BL | 177 | 24" length - Black        |
| T524SN  | 177 | 24" length - Satin Nickel |
| T536 BL | 238 | 36" length - Black        |
| T536 SN | 238 | 36" length - Satin Nickel |
| T548 BL | 314 | 48" length - Black        |
| T548 SN | 314 | 48" length - Satin Nickel |

### EL1

Retractable Connectivity unit

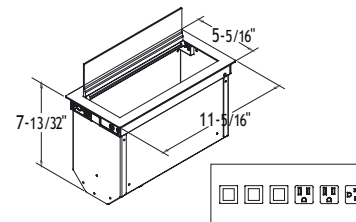


- Retractable connectivity unit with 3 electrical outlets, 1 USB (charger) and 2 empty telecommunication outlets (outlets not included);
- 72" or 120" power cable with electric plug;
- Finish: Satin Nickel.

| Code       | \$  | Description                    |
|------------|-----|--------------------------------|
| EL1-72 SN  | 832 | Satin Nickel, 72" power cable  |
| EL1-120 SN | 851 | Satin Nickel, 120" power cable |

### EL2

Retractable Connectivity unit



- Retractable connectivity unit with 3 electrical outlets and 3 empty telecommunication outlets (outlets not included);
- 72" or 120" power cable with electric plug;
- Finish: Satin Nickel.

| Code       | \$  | Description                    |
|------------|-----|--------------------------------|
| EL2-72 SN  | 679 | Satin Nickel, 72" power cable  |
| EL2-120 SN | 698 | Satin Nickel, 120" power cable |

As our product line is constantly evolving and expanding, we recommend that you visit [logiflex.ca](http://logiflex.ca) for updates.

logiflex

1235 St-Roch N., Sherbrooke QC J1N 0H2 Canada  
T : 1.877.864.9323 | F : 1.800.474.7830 | [logiflex.ca](http://logiflex.ca)

