

LOCKERS

Price List
USA 2024



logiflex

Table of Contents

Introduction	3	Lockers	17
Update Summary	4	Platforms	18
Product Map	5	Lockers with door	19
Our social responsibility	6	Open Lockers	23
Conditions of Sale	6	Corner Units	27
Manufacturing Standards	7	Common Surfaces	28
How to Use the Price List	8	Plant Boxes	31
Appendix A: Colors and Finishes	9		
Appendix B : An overview of the lockers	10	Accessories	32
Appendix C : 2 methods of color combinations	14	Miscellaneous Accessories	33
Appendix D : Locks	16		

Update Summary

The price list presents these principal modifications:

DATE	SECTION	MODIFICATIONS
March 1, 2024	All the Price List	<ul style="list-style-type: none">All prices have been increased by approximately 5%.

Previous updates:

DATE	SECTION	MODIFICATIONS
November 22, 2023	Appendix A	<ul style="list-style-type: none">Removal of high gloss finish.



Product Map

Lockers

Lockers p. 18

Accessories p. 33



Our social responsibility

At Logiflex, we have chosen to be a responsible North American manufacturer by implementing initiatives for sustainable development. As much as possible, we source local materials and partner with suppliers who prioritize clean manufacturing processes. We also consolidate goods during transport to reduce our fuel consumption and we continually make changes that help reduce our waste production.

The company is ISO 9001 certified.

You can consult our eco-responsible approach as well as all our certifications in the [Certifications](#) section of our website. Find out how our products can help you obtain LEED credits and the Logiflex products that are Indoor Advantage Gold certified.

Conditions of Sale

Prices

The amounts listed in this document are suggested retail prices and may be changed without notice. Applicable taxes are not included. If you have an open and active account with Logiflex, merchandise will be invoiced at the prices prevailing at the time of shipment. A deposit may be requested if the opening of your account has not been completed or if your account has become inactive.

Terms of Payment

Net 30 days F.O.B. Sherbrooke, Quebec. The invoice will be assigned the shipping date and is payable 30 days from that date. Logiflex remains the owner of the merchandise until the invoice is paid in full.

Customized Products (Special Items)

Price requests for customized products or special items can be submitted via the ["Member Zone"](#) section of our website, at [www.logiflex.ca](#). Our quotations department will study your request and send you a quotation and a technical drawing for approval as soon as possible. Modifications to quotations or technical drawings can be requested the same way. The approved quotation(s) and technical drawing(s) can then be attached to your purchase order.

Orders

An official purchase order must be issued for all purchases. Your purchase order must contain the following information:

- Your company letterhead
- Your reference number
- The delivery address (with contact name, email and phone number)
- The complete product codes
- Furniture colour(s)
- Quantities
- Descriptions
- Retail prices and net prices
- Project registration number (if applicable), and your approved quotation and technical drawing (for special items).

Please note that a quotation cannot serve as a purchase order.

Returns

All returns must first be approved by Logiflex. If the return is accepted, a Logiflex customer service representative will send you an official return authorization form in order to facilitate procedures between you, the carrier, and the Logiflex merchandise reception clerk. Additional costs for shipping or other expenses may be applied following any merchandise returns.

Modifications and/or Cancellations

You have 48 hours from the time we acknowledge receipt of your order to make any requests for corrections or modifications. You may cancel your order during this same 48-hour period. If you would like to modify or cancel your order after this 48-hour verification period, please check with a Logiflex customer service representative. Orders cannot be changed or cancelled if production has already begun or if Logiflex has already received the raw materials.

Liability

Logiflex's liability ends once the carrier has delivered all items in good condition. A delivery receipt signed by the customer acknowledges that the shipment is complete and has been received in good condition.

Claims

Logiflex recommends inspecting the shipment before signing the carrier's delivery receipt. You must notify Logiflex of any incomplete shipments or damaged furniture within 30 days after delivery. Requests to replace damaged products can be made via the ["Member Zone"](#) section of our website, at [www.logiflex.ca](#). Our after-sales service department will examine your request and help you correct the situation.

Changes

Logiflex reserves the right to make changes to the materials, accessories, components, specifications and designs, and to discontinue collections and/or models, at any time and without prior notice.

Storage and/or Shipping Fees

According to the terms Logiflex set forth in the transport policy. The transport policy can be consulted online in the Private Space.

Items Delivered Disassembled

Corner units and plant boxes are delivered disassembled.

Warranty

Logiflex guarantees to the original purchaser that Logiflex products are free from defects in design, materials and workmanship for the product's lifetime, with certain exceptions.

You may consult the full warranty on the website: [Logiflex Warranty](#)

Introduction



Manufacturing Standards

Product Dimensions

For display purposes, the furniture dimensions represented in the price tables on each product page are rounded to the nearest whole number.

Furniture Construction

All components of the lockers are 5/8" thick laminate.

Locks

CMLK locks are included for all the lockers. It is possible to have an electronic lock instead, with a fee additional. Please refer to the [Appendix D](#) section to find out about the different locks available in this collection.

Fronts

A PVC strip 1.5 mm thick is systematically applied along all front edges.

Wood Grain

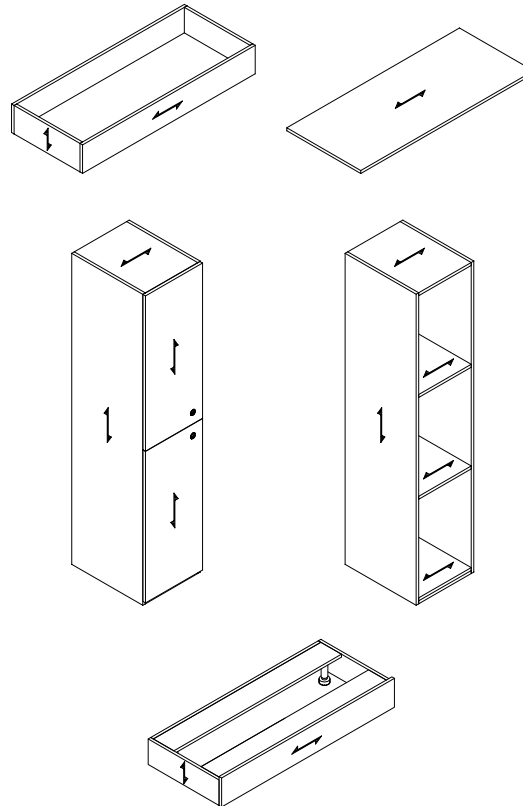
The wood grain is always vertical on the furniture fronts and the bases. Logiflex cannot guarantee the layout of the wood grain between different parts of the same surface, the grain varying between the parts.

Finishes

You must specify the desired finish(es) for each item of furniture ordered. Please make your selection(s) from the Logiflex chart. See [Appendix C](#) for an example.

Levelers

All platforms sit on nylon levelers made of 1-7/8" diameter black plastic that allows for adjustment in height up to 3/4". The adjustment is made on site during installation of lockers.



How to Use the Price List

Interactive Menu

- Product line: Lockers
- Product group: Lockers with Door
- Product name: Single Tier Lockers with Door
- Product code: 1DL, 1DR

Product image

Product-specific manufacturing standards:

- Single tier locker with door:
 - Locker with common surface sold separately. See p. 28;
 - 5/8" melamine
 - Split back where the shelf is positioned;
 - One tier locker with single hook on the back;
 - 42" : without fixed shelf;
 - 60" and 72" : fixed shelf with 12" space above;
 - Door with pressure latch (only for CMLK lock) and an opening of 95";
 - One ventilation grid;
 - Key lock.
- Platform : The lockers must be placed on the platforms. Platform sold separately. See p. 18.
- Surface : Lockers must have a common surface. Surface sold separately. See p. 28.
- Height : The total height includes the height of the platform and the surface.
- Lock : Refer to the appendix for the position of the lock. See p. 16.

Additional Product Information and Notes

Illustrated options:

- Locks: CMLK (\$0 ea.), E1 (\$231 ea.), E2 (\$0 ea.)

Prices

Dimensions	A	B	C	Price
15 14 42			536	
15 18 42			536	
18 14 42			587	
18 18 42			587	
15 14 60			663	
15 18 60			663	
18 14 60			714	
18 18 60			714	
15 14 72			729	
15 18 72			729	
18 14 72			780	
18 18 72			780	

How to Order

Series	Dimensions	Product	Locks
Example	LO 151460	1DL	CMLK

Ordering instructions

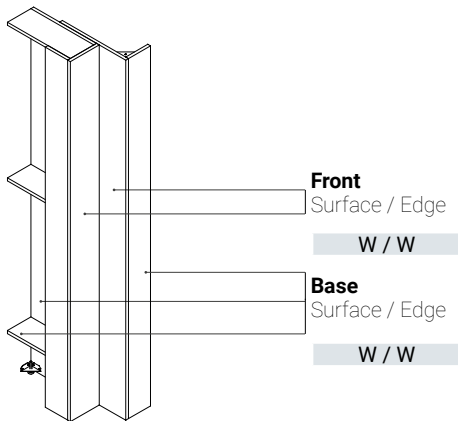
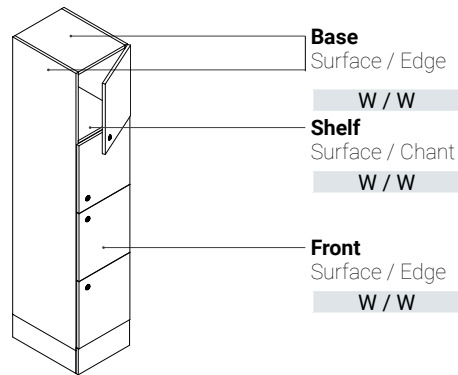
Standard Product Code **Options, if desired (\$)**
 Details as per the price listed Always after the product code

Introduction



Appendix A: Colors and Finishes

How to specify your laminate colors



Availability Chart

FINI FINISH	CODE	COLOR COULEUR	THICKNESS ÉPAISSEUR			HPL	PANVAL CODE
			5/8"	1"	1-5/8"		
OMNIA	DOO	Dosha	•	•		•	K77
	COO	Cosmos	•	•		•	K78
AURA	GIA	Ginger Root Gingembre	•	•		•	H72
	HAA	Haze Brume	•	•	•	•	H57
	OHA	Ohm	•	•	•	•	K69
	STA	Storm Tempête	•	•	•	•	H58
	TUA	Tundra	•	•		•	H75
LYRA	ASY	Asha	•	•		•	K47
	CIY	Chiffon Mousseline **	•	•	•	•	K60
	KAY	Kali	•	•		•	K46
SUPERMAT	IGS	Ingot grey Gris lingot	•	•			828
	WGS	Willow grey Gris saule	•	•			802
DOLOMITE	AU	Audacity Audace **	•	•	•	•	241
	B	Jet Black Noir intense *	•	•		•	888 S405-CA
	BC	Brown cherry Cerisier brun	•	•	•	•	207
	C	Slate Ardoise *	•	•		•	801
	DR	Driftwood Bois de rive	•	•		•	744
	G	Mink Grey Gris vison	•	•		•	805 OU-927
	NM	Natural Maple Érable naturel	•	•	•	•	206
	PO	Porto	•	•		•	913 OU-648
	SW	Smoked Walnut Noyer fumé	•	•	•	•	G21
	TO	Tobacco	•	•		•	205
	W	Polar White Blanc polaire	•	•	•	•	555 459-CA
WK	Whisky	•	•	•	•	245	

* Non recommended color for work surfaces.

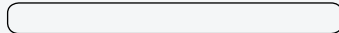
** For conference tables with 2 or more parts, we do not recommend the use of colors with irregular and contrasted woodgrain like Chiffon or Audacity as it results in a pronounced wood grain mismatch.

Colors may vary from 2% to 5% between tfi and hpl laminates due to different technical applications.

See our complete [Colors & Finishes Guide](#)

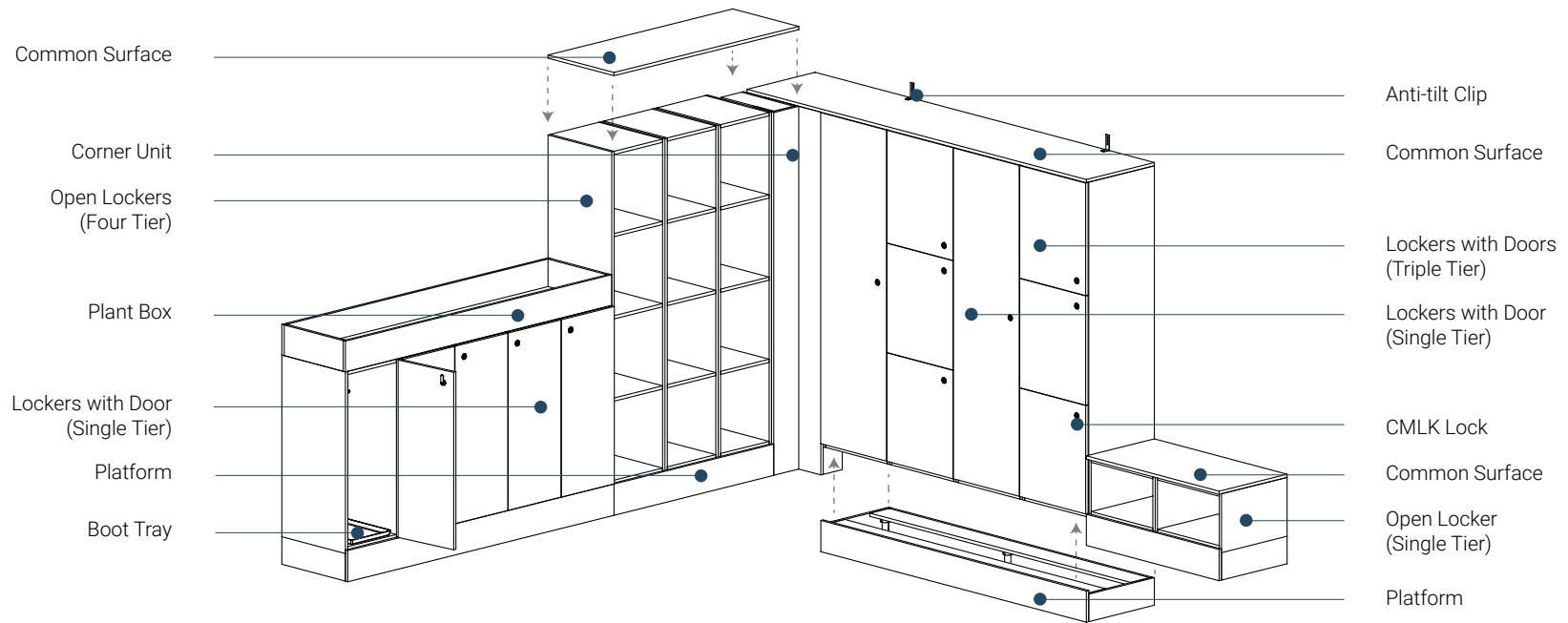
New

Introduction



Appendix B : An overview of the lockers

Personal lockers offer a great deal of versatility, catering to a wide range of storage needs and requirements. Whether in schools, gyms, workplaces, or other settings, personal lockers provide individuals with a secure and private space to store their belongings.



Versatility

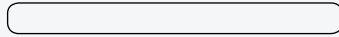
The versatility of personal lockers comes from their ability to accommodate various types of items. Users can store personal belongings such as bags, jackets, electronics, books, and even valuable items securely within their assigned locker. This flexibility allows individuals to conveniently store and access their possessions while going about their daily activities.

Personal lockers also offer versatility in terms of customization and organization. Users can personalize their lockers by adding hooks, shelves, or dividers to optimize the storage space and create compartments for specific items.

Easy integration

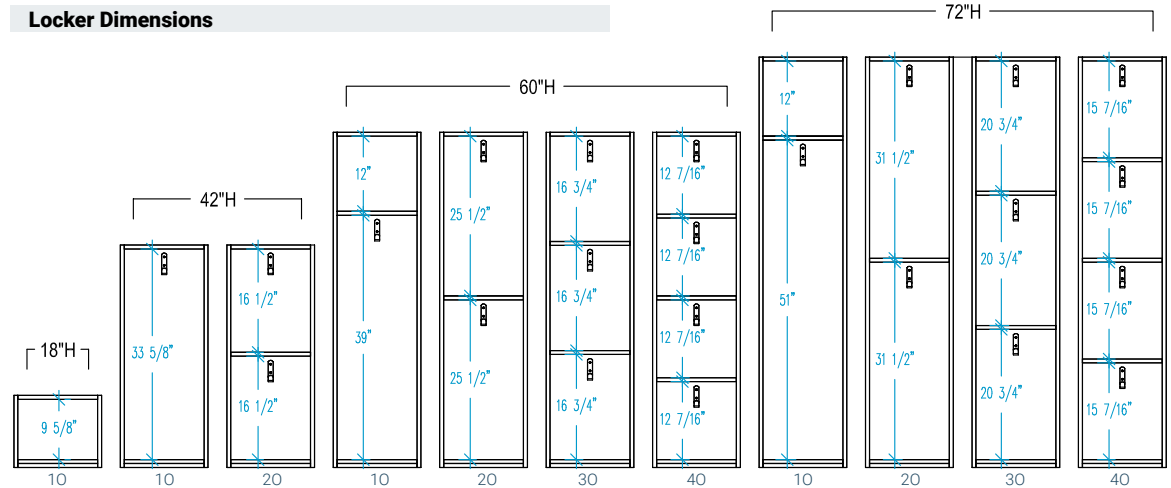
Furthermore, personal lockers can be adapted to different environments and settings. They can be integrated into various spaces, from changing rooms to offices, to accommodate the specific needs of the location. Lockers can be designed with different materials, finishes, and locking mechanisms to match the style and security requirements of the surrounding environment.

Introduction



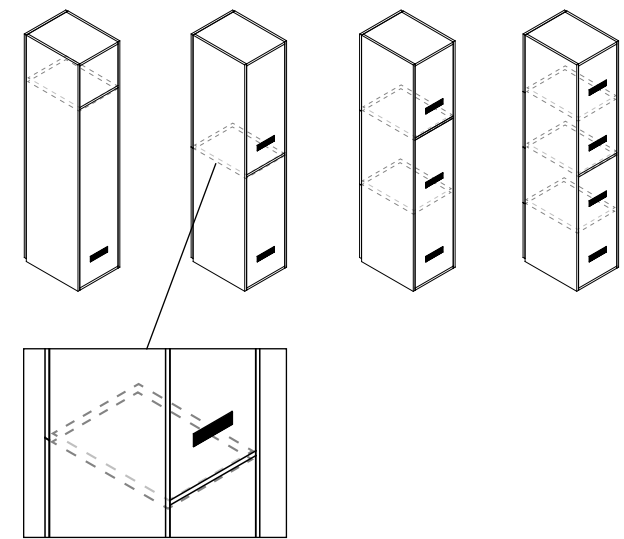
Appendix B : An overview of the lockers

The locker collection offers several modular products to create layouts that easily adapt to your work or study environment.

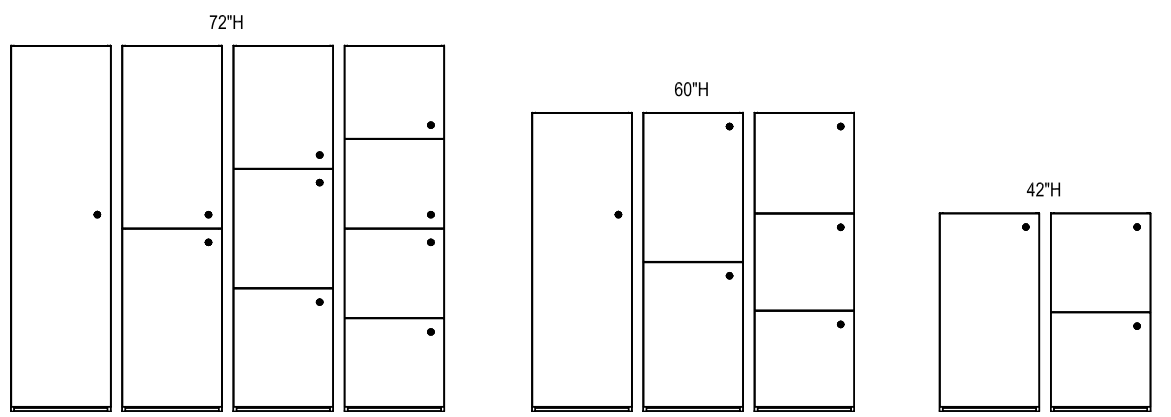


	External dimensions	Internal dimensions
Depth	15"	13-7/16"
	18"	16-7/16"
Width	14"	12-5/8"
	18"	16-5/8"
Height	See drawing above	See drawing above

Ventilation Grill (lockers with doors)



There is one ventilation grille per level with the lockers with doors. The back is split where the shelf is positioned and the shelf is visible on the back, but not the sides.



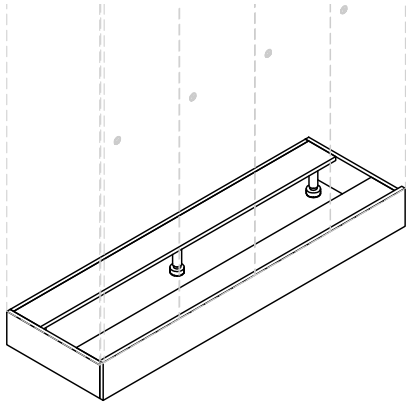
Introduction



Appendix B : An overview of the lockers

The locker collection offers several modular products to create layouts that easily adapt to your work or study environment.

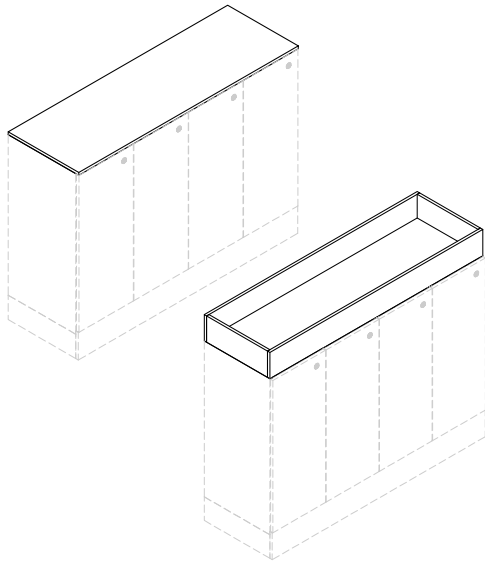
Platforms



The platform is necessary to support the lockers. Its front is removable and an opening provides access to adjust the levelers. The platforms do not require any assembly on delivery other than the levelers.

- Base Height: 5-7/8";
- Maximum width of 72" for the bases;
 - Less than 42": 4 plastic levelers;
 - 42" and over: 6 plastic levelers.

Common Surfaces and Plant Boxes



These surfaces are to be placed on top of the lockers and to cover the top of the corner cabinet to allow better uniformity.

It is recommended for lockers of 60"H and less to have a common surface in order to hide the top which could be visible.

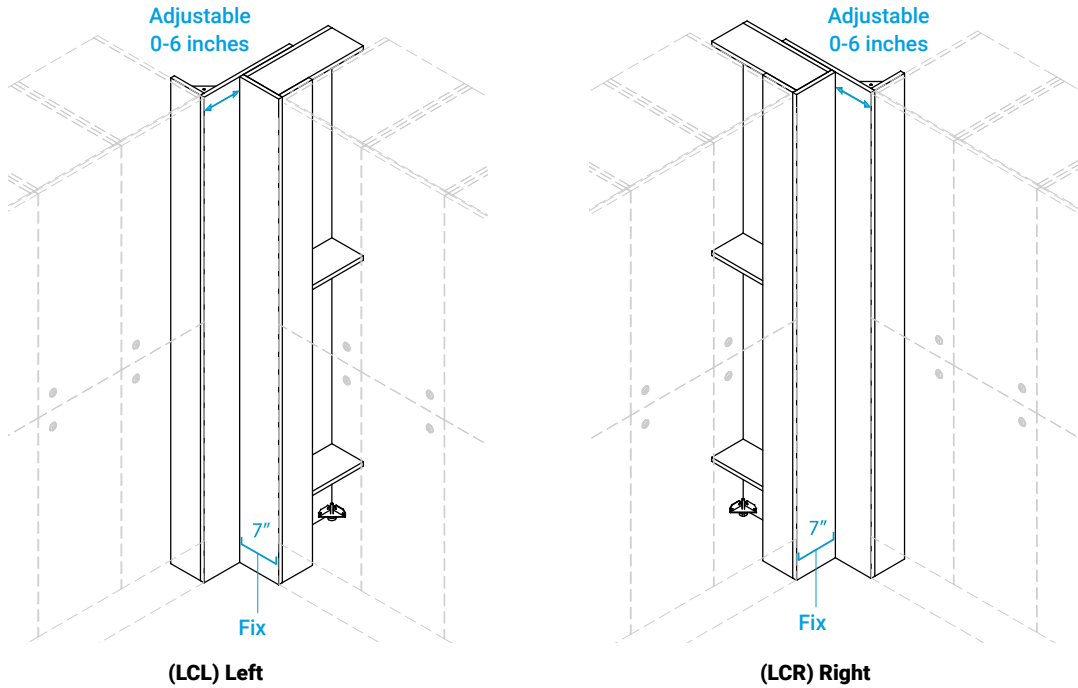
Note that the plant boxes are not waterproof, they must be protected if plants are placed there. In addition, the planter does not require a common surface.

Introduction

Appendix B : An overview of the lockers

The locker collection offers several modular products to create layouts that easily adapt to your work or study environment.

Corner Unit



The corner unit allows a nice finish between the lockers installed at 90°. It is composed of 2 modules, the first of fixed width (7") and the second of adjustable width (up to 6"). The adjustable module is on the right for the LCR item, and on the left for the LCL item. It covers the height of the platform and the lockers. Available only for 72"H lockers.

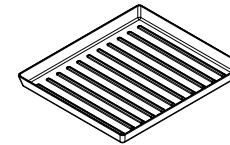
Accessories



Anti-tilt clip

The metal clip is used to prevent the lockers from tipping over. It can be fixed to the floor or to the wall. It is recommended, but not mandatory.

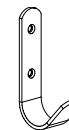
- Width of 42" and less: 1 tie;
- Width over 42": 2 fasteners.



Boot Trays

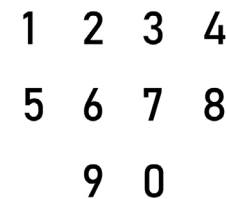
The black plastic tray is used to protect the bottom of the racks and keep the laminate in good condition.

- BT1210: 12-1/8" x 10-1/2" x 1"H;
- BT1616: 15-15/16" x 15-15/16" x 1"H.



Additional Hook

All lockers come with a hook on the back. It is possible to buy additional hooks individually. These are installed on site.



Self-adhesive numbers

Stickers to be affixed, once on site, to the locker doors to allow them to be identified. Available in black (BL) or light gray (G) in packs of 50. Height of 1-1/4".

Introduction

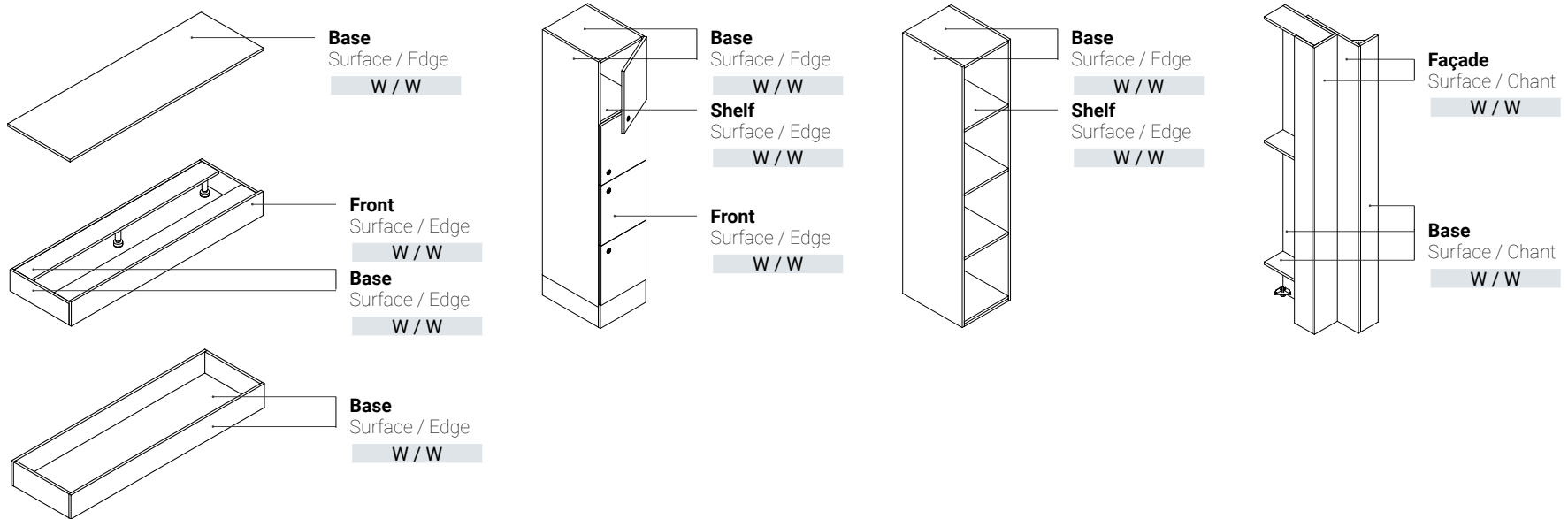


Appendix C : 2 methods of color combinations

Logiflex offers two methods of color combinations on fronts. The first way, standard, only involves specifying the color of the surface and the edge. The second way, multiple colors for the doors, allows to have fronts of different colors. Logiflex offers color combinations free of charge.

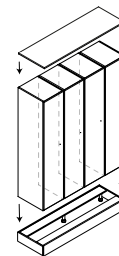
Method 1: Standard Color Combinations

Here's how to specify your laminate colors on a piece of furniture when you want to combine several colors in a standard way. Unless otherwise specified, the edge will be the same color as the laminate panel.



Example - Standard Color Combination (Lockers):

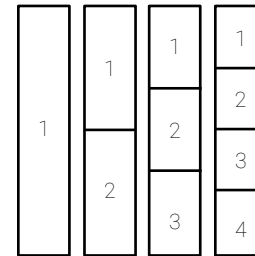
	Code			Color combination				
				Base	Front			
Surface	LO	1518	LKTOP	W	W			
	Code			Color combination				
				Surface	Base	Front	Shelf	
Lockers	LO	151472	4DL	CMLK	W	W	W	W
	Code			Color combination				
				Base	Front			
Platform	LO	1556	BASE	W	W			



Appendix C : 2 methods of color combinations (continued)

Method 2: Fronts of different colors

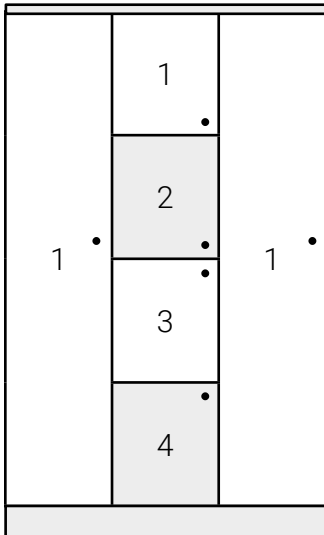
Here is how to specify your laminate colors on a piece of furniture when you want to combine several front colors. If more than one color, indicate the laminate colors for each door from top to bottom. Unless otherwise specified, the edge will be the same color as the laminate panel. It is possible to vary the front colors of the same piece of furniture. To properly transmit the information to Logiflex, you must number the doors from top to bottom. It is also recommended to send a diagram or drawing as a reference.



Order for application of colors

To properly transmit the information to Logiflex, you must number the doors from top to bottom. It is also recommended to send a diagram or drawing as a reference.

Example of how to order:



Layout with :

Lockers with door - 1 tier : Polar white (W-);
 Lockers with doors - 4 tier : Polar White (W-) & Ohm (OHA);
 Common base: Ohm (OHA);
 Common Surface: Ohm (OHA).

	Code			Lock	Color combination			
Surface	LO	1854	LKTOP	CMLK	Surface	Base	Front	Shelf
Surface	LO	1854	LKTOP	CMLK	W-	W-	W-	W-
Lockers x2	LO	181872	1DL	CMLK	W-	W-	W-	W-
Door 1 : W-;								
Lockers x1	LO	181872	4DL	CMLK	W-	W-	W-	W-
Door 1 : W-;								
Door 2 : OHA;								
Door 3 : W-;								
Door 4 : OHA.								
Platform	Code			Lock	Color combination			
	LO	1854	BASE	CMLK	Base	Front		
	LO	1854	BASE	CMLK	OHA	OHA		



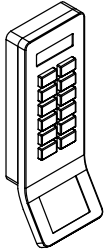
Example of specification for fronts of different colors

Introduction

Appendix D : Locks

E1

[See the E1 lock guide here](#)
[See the instruction videos of the E1 lock](#)



Features:

- Keypad with backlight for easy distinction;
- Wrong code or illegal card alarm;
- Code combination ranging from 1 to 9 digits for multiple possibilities;
- Private and public mode;
- Stainless steel material;
- External power back up.

Lock/Unlock by Master or User Card:

- Scan the master card near the instruction area. The green light comes on with a beep and the lock is unlocked.
- Permanent code mode: scan the card. The red light comes on with 2 beeps and the lock is automatically locked.
- One-time code mode: after unlocking by user card, the lock is in unlocked state.

Power supply	3 x AA alkaline batteries
Card type	EM card (125KHz)
Battery life	12~15 months
Static current	≤20μA
Dynamic current	≤200mA
Working temperature	-15 ~ +55
Working humidity	20 ~ 95%RH
Alarm voltage	3.7±0.2V
Door thickness	≥ 1mm

Program/Change Master Card:

- After initialization, scan a card near the instruction area.
- After 3 long beeps, the programmed card becomes master card.
- During the flashing period of the LED, the other 2 cards can be programmed up to 3 times max.
- The other 2 cards are needed in the future if one or 2 cards are lost.
- The programming procedure is: * - master card - # new master card.
- After programming a new master, the lost master card is deleted.

Delete Permanent Code:

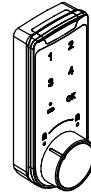
- Tap the master card on the inductive areas three times. After 3 short beep sounds the permanent code is deleted.

Lock/Unlock by Permanent Code:

- Digital code (max 9 digit) followed by #
- After being unlocked for five seconds, a red light and two beep will sound while the locking automatically.

E2

[See the E2 lock guide here](#)
[See the instruction videos of the E1 lock](#)



Features:

- Tactile buttons and indicators sound for a premium experience;
- Automatic alarm after 4 attempts;
- 4 digit combination for 10,000 possibilities;
- For shared use (public);
- Low consumption of battery (more than 5,000 uses);
- Easy button cell battery change.

Program your Personal Code:

- Lock: Enter a 4-digit code and turn lock button to lock. Memorize this code. This code will be valid for one use only.
- Unlock: Enter this 4 digit code again and turn lock button to unlock. Do NOT press OK.

Forgotten Code:

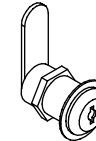
- Note the serial number located on the side of the lock.
- Contact Logiflex to obtain the master code for your lock.
- Enter the 8-digit master code and press OK.
- Turn the lock to open.

Master Key Forgotten Code:

- Contact the person in charge of the master key.
- Insert the key and press OK.
- Turn the lock to open.

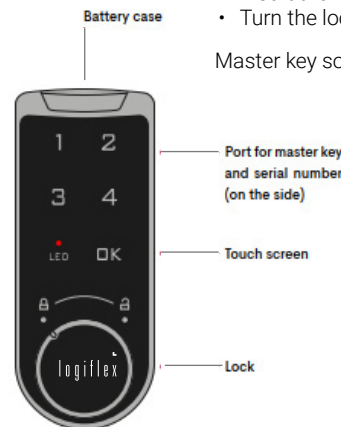
Master key sold separately, see [Accessories](#).

CMLK



Features:

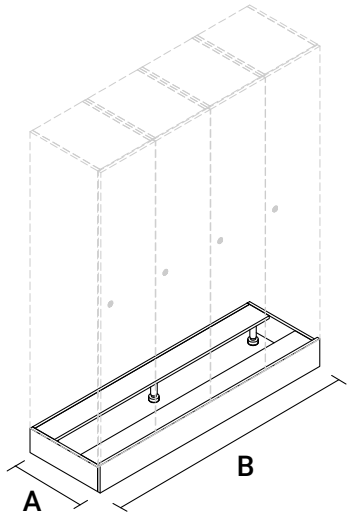
- Key lock for use in lockers.
- Lock numbers are assigned randomly. Identical keys not available.
- The CMLK lock is different from the standard Logiflex lock. Additional keys and master keys are available on request. Mention that it is the locker lock.
- Finish: Chrome.



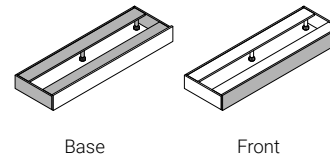
Lockers

Platforms

BASE



Color Combinations



Manufacturing Standards

- Platform :
- Base height: 5-7/8";
 - Maximum width of 72" for the bases;
 - Less than 42" : 4 plastic levelers;
 - 42" and over : 6 plastic levelers;
 - Opening for leveler adjustment.

Note : The platform is required to support the lockers.

Prices

BASE - 14" wide lockers

Dimensions		Compatible :
A	B	
15 14	166	1 locker
15 28	83	2 lockers
15 42	42	3 lockers
15 56	20	4 lockers
15 70	12	5 lockers

18 14	166	1 locker
18 28	83	2 lockers
18 42	42	3 lockers
18 56	20	4 lockers
18 70	12	5 lockers

BASE - 18" wide lockers

Dimensions		Compatible :
A	B	
15 18	166	1 locker
15 36	83	2 lockers
15 54	42	3 lockers
15 72	20	4 lockers

18 18	166	1 locker
18 36	83	2 lockers
18 54	42	3 lockers
18 72	20	4 lockers

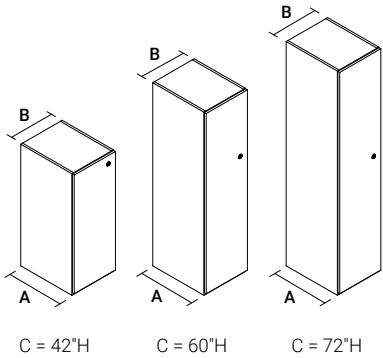
How to Order

	AB		
LO		BASE	
Serie	Dimensions	Product	
Example	LO	1556	BASE

Lockers

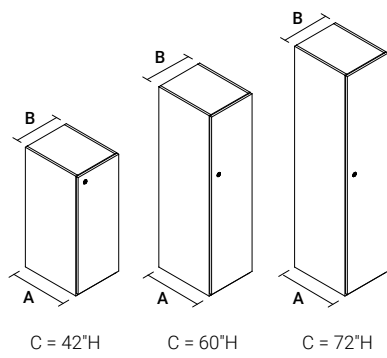
Single Tier Lockers with Door

1DL

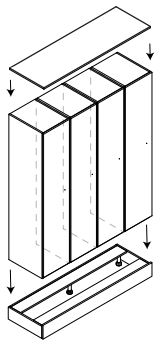
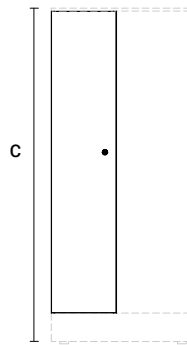


C = 42"H C = 60"H C = 72"H

1DR

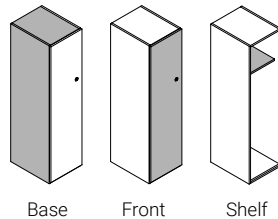


C = 42"H C = 60"H C = 72"H



Lockers must be placed on the platforms. Platform and surface sold separately. See p. 18.

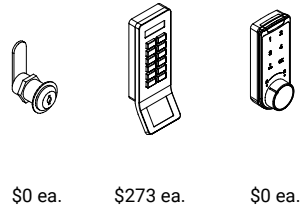
Color Combinations



Base Front Shelf

Options

Locks



\$0 ea. \$273 ea. \$0 ea.

Manufacturing Standards

- Single tier locker with door :
- One tier locker with single hook on the back ;
 - 42" : without fixed shelf;
 - 60" and 72" : fixed shelf with 12" space above;
 - Common surface sold separately. See p. 28;
 - 5/8" laminate
 - Split back where the shelf is positioned;
 - Door with pressure latch (only for CMLK lock) and an opening of 95°;
 - One ventilation grill;
 - Key lock.

Platform : *The lockers must be placed on the platforms. Platform sold separately. See p. 18.*

Surface : *Lockers must have a common surface. Surface sold separately. See p. 28.*

Height : *The total height includes the height of the platform and the surface.*

Lock : *Refer to the Appendix B for the position of the lock. See p. 16.*

Prices

Dimensions		
A	B	C
15	14	42
15	18	42
18	14	42
18	18	42
15	14	60
15	18	60
18	14	60
18	18	60
15	14	72
15	18	72
18	14	72
18	18	72

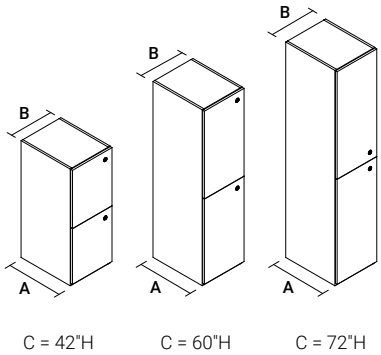
How to Order

LO	ABC	1DL 1DR	E1 E2 CMLK (std)
Serie	Dimensions	Product	Locks
Example LO	151460	1DL	CMLK

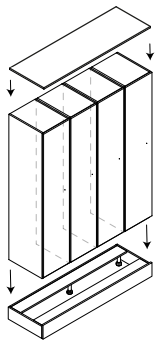
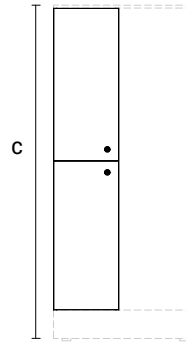
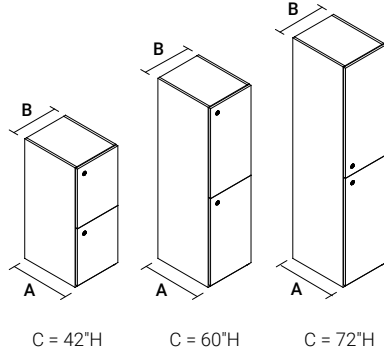
Lockers

Double Tier Lockers with Door

2DL

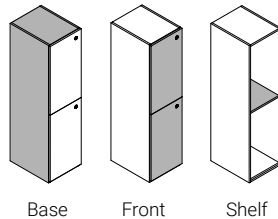


2DR



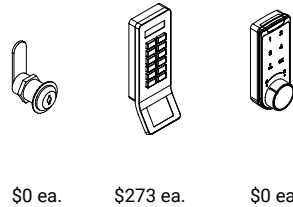
Lockers must be placed on the platforms. Platform and surface sold separately. See p. 18.

Color Combinations



Options

Locks



Manufacturing Standards

- Double tier locker with door :
- Two-tier locker with single hook on the back;
 - Common surface sold separately. See p. 28;
 - 5/8" laminate
 - Split back where the shelf is positioned;
 - Door with pressure latch (only for CMLK lock) and an opening of 95°;
 - One ventilation grill per tier;
 - Key lock.

Platform : *The lockers must be placed on the platforms.*
Platform sold separately. See p. 18.

Surface : *Lockers must have a common surface. Surface sold separately. See p. 28.*

Random wood grain : *The wood grain of the doors is vertical but does not match from door to door.*

Height : *The total height includes the height of the platform and the surface.*

Lock : *Refer to the Appendix B for the position of the lock.*
See p. 16.

Prices

Dimensions	
A B C	
15 14 42	816
15 18 42	816
18 14 42	883
18 18 42	883
15 14 60	939
15 18 60	939
18 14 60	995
18 18 60	995
15 14 72	1008
15 18 72	1008
18 14 72	1065
18 18 72	1065

How to Order

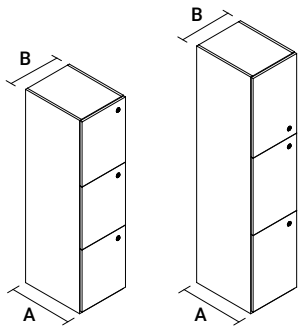
LO	ABC	2DL 2DR	E1 E2 CMLK (std)
Serie	Dimensions	Product	Locks
Example LO	151460	2DL	CMLK

Lockers

Triple Tier Lockers with Door

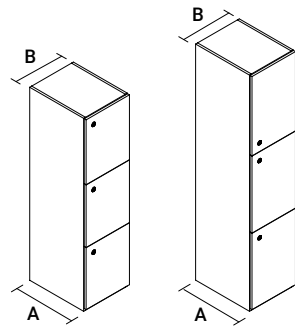
3DL

3DR



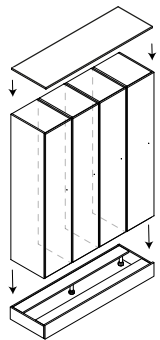
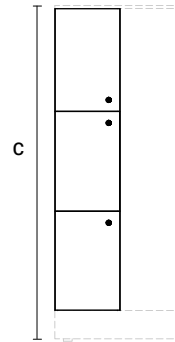
C = 60"H

C = 72"H



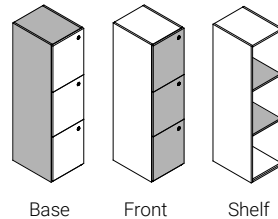
C = 60"H

C = 72"H



Lockers must be placed on the platforms. Platform and surface sold separately. See p. 18.

Color Combinations



Base

Front

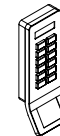
Shelf

Options

Locks



\$0 ea.



\$273 ea.



\$0 ea.

Manufacturing Standards

Triple tier locker with door :

- Triple-tier locker with single hook on the back;
- Common surface sold separately. See p. 28;
- 5/8" laminate
 - Back split in two;
- Door with pressure latch (only for CMLK lock) and an opening of 95°;
- One ventilation grill per tier;
- Key lock.

Platform : *The lockers must be placed on the platforms.*

Platform sold separately. See p. 18.

Surface : *Lockers must have a common surface. Surface sold separately. See p. 28.*

Random wood grain : *The wood grain of the doors is vertical but does not match from door to door.*

Height : *The total height includes the height of the platform and the surface.*

Lock : *Refer to the Appendix B for the position of the lock.*
See p. 16.

Prices

Dimensions	
A B C	
15 14 60	1172
15 18 60	1172
18 14 60	1221
18 18 60	1221
<hr/>	
15 14 72	1241
15 18 72	1241
18 14 72	1290
18 18 72	1290

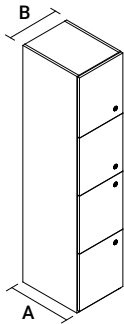
How to Order

LO	ABC	3DL 3DR	E1 E2 CMLK (std)
Serie	Dimensions	Product	Locks
Example LO	151460	3DL	CMLK

Lockers

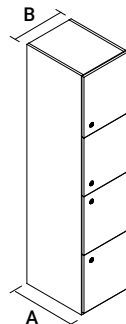
Four Tier Lockers with Door

4DL

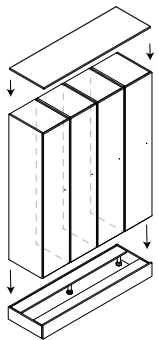
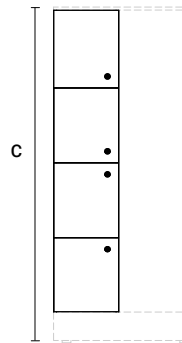


C = 72"H

4DR

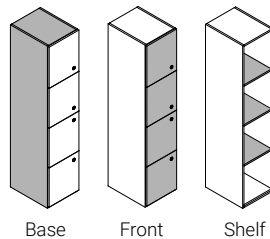


C = 72"H



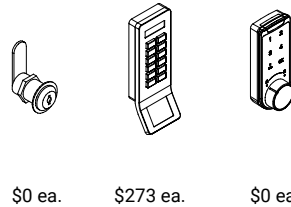
Lockers must be placed on the platforms. Platform and surface sold separately. See p. 18.

Color Combinations



Options

Locks



\$0 ea.

\$273 ea.

\$0 ea.

Manufacturing Standards

Four tier locker with door :

- Four-tier locker with single hook on the back;
- Common surface sold separately. See p. 28;
- 5/8" laminate
-Back split in two;
- Door with pressure latch (only for CMLK lock) and an opening of 95°;
- One ventilation grill per tier;
- Key lock.

Platform : *The lockers must be placed on the platforms.*

Platform sold separately. See p. 18.

Surface : *Lockers must have a common surface. Surface sold separately. See p. 28.*

Random wood grain : *The wood grain of the doors is vertical but does not match from door to door.*

Height : *The total height includes the height of the platform and the surface.*

Lock : *Refer to the Appendix B for the position of the lock. See p. 16.*

Prices

Dimensions		
A	B	C
15	14	72
15	18	72
18	14	72
18	18	72

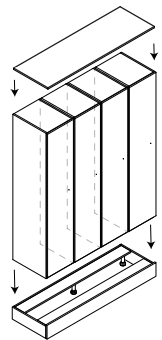
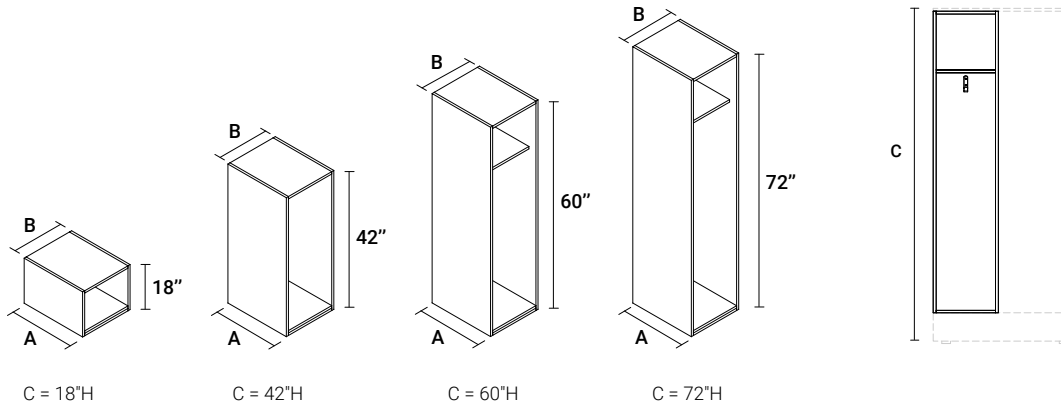
How to Order

LO	ABC	4DL 4DR	E1 E2 CMLK (std)
Serie	Dimensions	Product	Locks
Exemple LO	151472	4DL	CMLK

Lockers

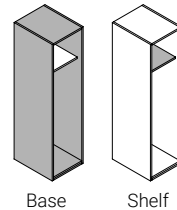
One Tier Open Lockers

10



Lockers must be placed on the platforms. Platform and surface sold separately. See p. 18.

Color Combinations



Manufacturing Standards

One tier open locker:

- Common surface sold separately. See p. 28;
- 5/8" laminate
 - Split back where the shelf is positioned;
- One tier open locker with single hook on the back ;
 - 42" : without fixed shelf;
 - 60" and 72" : fixed shelf with 12" space above;

Platform : *The lockers must be placed on the platforms.*

Platform sold separately. See p. 18.

Surface : *Lockers must have a common surface. Surface sold separately. See p. 28.*

Height : *The total height includes the height of the platform and the surface.*

Prices

Dimensions			
A	B	C	
15	14	18	276
15	18	18	276
18	14	18	330
18	18	18	330
15	14	42	415
15	18	42	415
18	14	42	468
18	18	42	468
15	14	60	555
15	18	60	555
18	14	60	612
18	18	60	612
15	14	72	625
15	18	72	625
18	14	72	681
18	18	72	681

How to Order

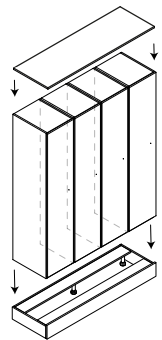
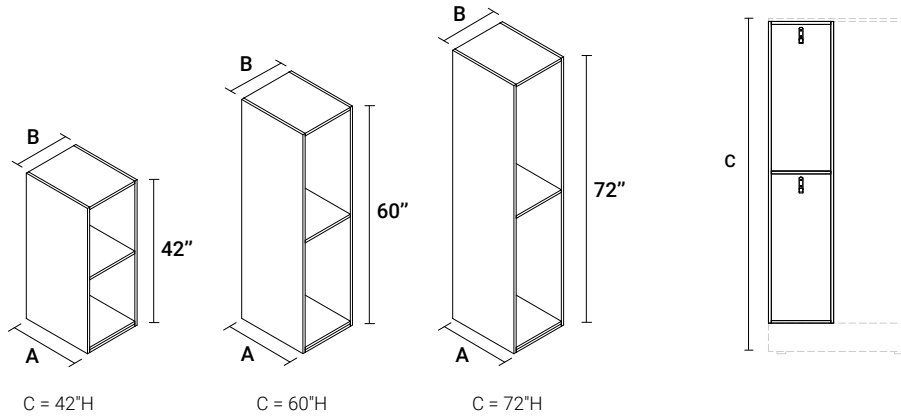
ABC		
LO		10
Serie	Dimensions	Product

Example LO 151460 10

Lockers

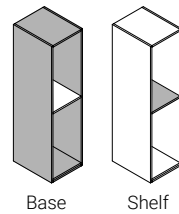
Double Tier Open Lockers

20



Lockers must be placed on the platforms. Platform and surface sold separately. See p. 18.

Color Combinations



Manufacturing Standards

Double tier open locker:

- Common surface sold separately. See p. 28;
- 5/8" laminate
 - Split back where the shelf is positioned;
- Double tier open locker with single hook on the back.

Platform : *The lockers must be placed on the platforms.*

Platform sold separately. See p. 18.

Surface : *Lockers must have a common surface. Surface sold separately. See p. 28.*

Height : *The total height includes the height of the platform and the surface.*

Prices

Dimensions		
A	B	C
15	14	42
15	18	42
18	14	42
18	18	42
15	14	60
15	18	60
18	14	60
18	18	60
15	14	72
15	18	72
18	14	72
18	18	72

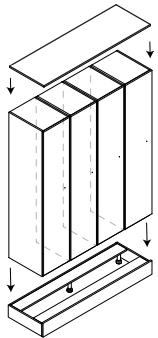
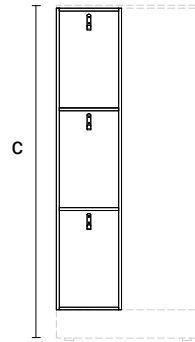
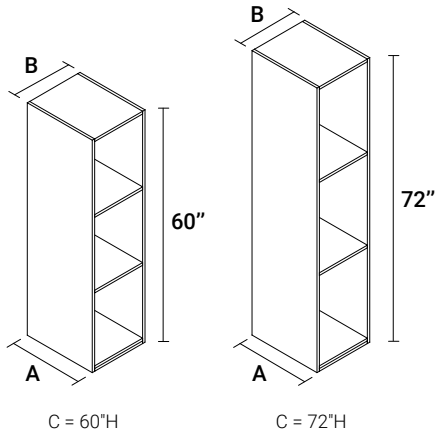
How to Order

ABC		
LO		20
Serie	Dimensions	Product
Example LO	151460	20

Lockers

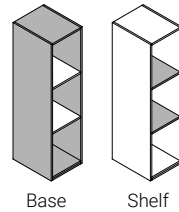
Triple Tier Open Lockers

30



Lockers must be placed on the platforms. Platform and surface sold separately. See p. 18.

Color Combinations



Manufacturing Standards

Triple tier open locker:

- Common surface sold separately. See p. 28;
- 5/8" laminate
 - Back split in two;
- Triple tier open locker with single hook on the back.

Platform : *The lockers must be placed on the platforms.*

Platform sold separately. See p. 18.

Surface : *Lockers must have a common surface. Surface sold separately. See p. 28.*

Height : *The total height includes the height of the platform and the surface.*

Prices

Dimensions		
A	B	C
15	14	60
504		
15	18	60
504		
18	14	60
555		
18	18	60
555		
15	14	72
573		
15	18	72
573		
18	14	72
625		
18	18	72
625		

How to Order

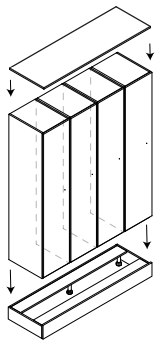
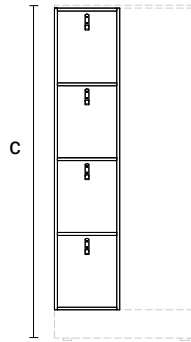
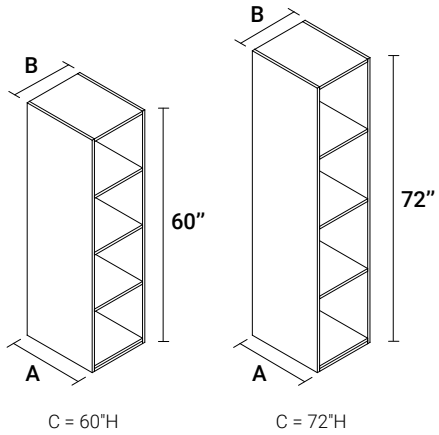
ABC		
LO		30
Serie	Dimensions	Product

Example LO 151460 30

Lockers

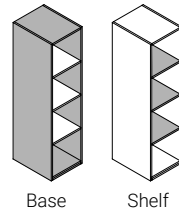
Four Tier Open Lockers

40



Lockers must be placed on the platforms. Platform and surface sold separately. See p. 18.

Color Combinations



Manufacturing Standards

- Four tier open locker:
- Common surface sold separately. See p. 28;
 - 5/8" laminate
 - Back split in two;
 - Four tier open locker with single hook on the back.

Platform : *The lockers must be placed on the platforms. Platform sold separately. See p. 18.*

Surface : *Lockers must have a common surface. Surface sold separately. See p. 28.*

Height : *The total height includes the height of the platform and the surface.*

Prices

Dimensions		
A	B	C
15	14	60
15	18	60
18	14	60
18	18	60
15	14	72
15	18	72
18	14	72
18	18	72

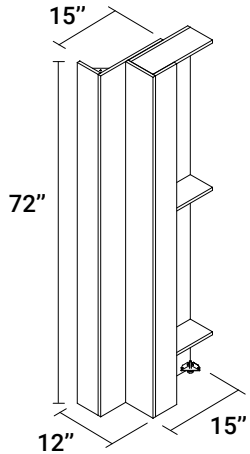
How to Order

ABC		
LO		40
Serie	Dimensions	Product
Example	LO	151460
		40

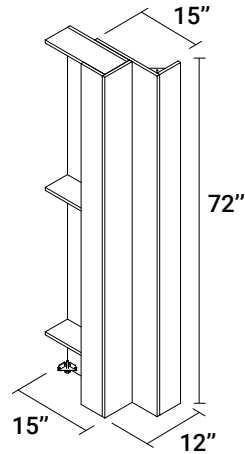
Lockers

Corner Units

LCL



LCR



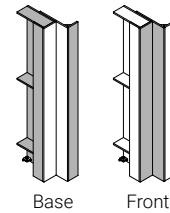
Manufacturing Standards

- Corner unit:
- Delivered disassembled;
 - 5/8" laminate;
 - White nylon levelers.

Restriction : Only available for 72"H lockers.

Application : The corner unit covers the height of the platform and the lockers. It allows a nice finish between lockers installed at 90°. It is composed of 2 modules, the first of fixed width (7") and the second of adjustable width (0-6"). The adjustable module is on the right for the LCR item, and on the left for the LCL item. See appendix p. 13.

Color Combinations



Base Front

How to Order

LO	ABCD	LCL LCR
Serie	Dimensions	Product

Example LO 12151572 LCR

Prices

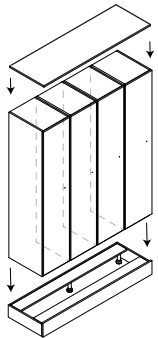
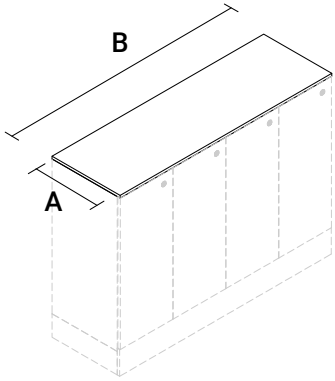
Dimensions			
A	B	C	D
12	15	15	72
			1150

Lockers



Common Surfaces

LKTOP



Lockers must be placed on the platforms. Platform and surface sold separately. See p. 18.

How to Order

	AB		
LO		LKTOP	
Serie	Dimensions	Product	
Example	LO	1518	LKTOP

Manufacturing Standards

Common surface :

- 5/8" laminate;
- To be placed on top of lockers and fixed by the inside.

Notes : It is recommended for lockers of 60"H and less to have a common surface in order to hide the top which could be visible.

Prices

LKTOP - 14" wide lockers

Dimensions		Compatible :
A	B	
15 14	105	1 locker
15 28	105	2 lockers
15 42	106	3 lockers
15 56	141	4 lockers
15 70	176	5 lockers

18 14	105	1 locker
18 28	105	2 lockers
18 42	127	3 lockers
18 56	169	4 lockers
18 70	211	5 lockers

LKTOP - 18" wide lockers

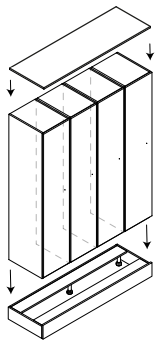
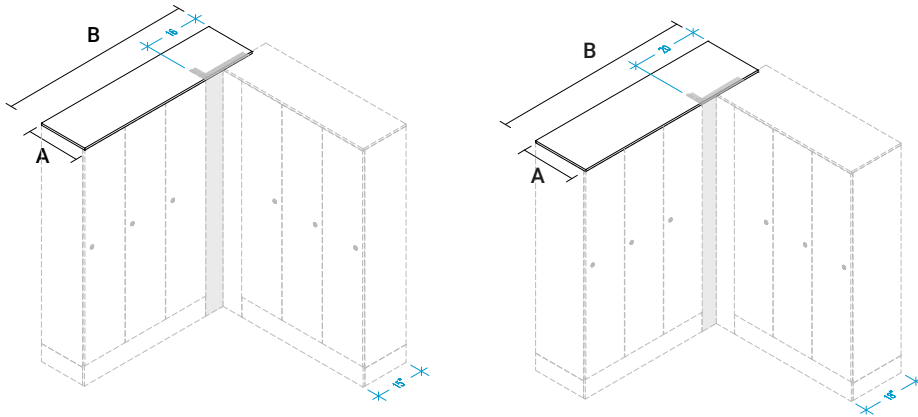
Dimensions		Compatible :
A	B	
15 18	105	1 locker
15 36	105	2 lockers
15 54	135	3 lockers
15 72	182	4 lockers

18 18	105	1 locker
18 36	109	2 lockers
18 54	163	3 lockers
18 72	217	4 lockers

Lockers

Common surfaces for variable side of corner unit +16"/20"

LKTOP



Lockers must be placed on the platforms. Platform and surface sold separately. See p. 18.

Manufacturing Standards

Common surface for variable side of corner unit:

- 5/8" laminate;
- To be placed on top of lockers and fixed by the inside.

Dimensions:

LKTOP + 7": covers the lockers on the side of the fixed module of the corner unit.

LKTOP + 16" or 20": covers the lockers on the side of the adjustable module of the corner unit.

Common Surface : Surface with a width of + 16" to 20" to cover the top of the corner cabinet and/or fill an empty space.

The common surface will leave a gap on the variable side of the corner unit as shown in the illustration.

Notes : It is recommended for lockers of 60"H and less to have a common surface in order to hide the top which could be visible.

Prices

LKTOP - 14" wide lockers **16"**

Dimensions		Compatible :
A	B	
15 30	105	1 locker
15 44	110	2 lockers
15 58	146	3 lockers
15 72	182	4 lockers
15 86	216	5 lockers

18 30	105	1 locker
18 44	133	2 lockers
18 58	175	3 lockers
18 72	217	4 lockers
18 86	259	5 lockers

LKTOP - 18" wide lockers

Dimensions		Compatible :
A	B	
15 34	105	1 locker
15 52	131	2 lockers
15 70	176	3 lockers
15 88	222	4 lockers

18 34	105	1 locker
18 52	158	2 lockers
18 70	211	3 lockers
18 88	266	4 lockers

LKTOP - 14" wide lockers **20"**

Dimensions		Compatible :
A	B	
15 34	105	1 locker
15 48	121	2 lockers
15 62	156	3 lockers
15 76	191	4 lockers
15 90	227	5 lockers

18 34	105	1 locker
18 48	145	2 lockers
18 62	187	3 lockers
18 76	230	4 lockers
18 90	272	5 lockers

LKTOP - 18" wide lockers

Dimensions		Compatible :
A	B	
15 38	105	1 locker
15 56	141	2 lockers
15 74	186	3 lockers
15 92	231	4 lockers

18 38	114	1 locker
18 56	169	2 lockers
18 74	224	3 lockers
18 92	278	4 lockers

How to Order

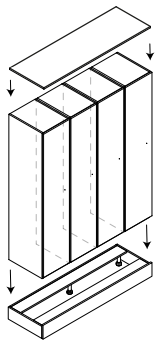
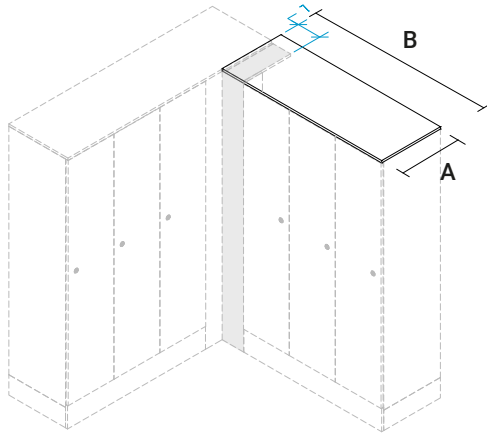
AB		
LO		LKTOP
série	Dimensions	Produit
Exemple LO	1534	LKTOP

Lockers



Common surface for fixed side of corner unit + 7"

LKTOP



Lockers must be placed on the platforms. Platform and surface sold separately. See p. 18.

How to Order

AB			
LO		LKTOP	
Serie	Dimensions	Product	
Example	LO	1521	LKTOP

Manufacturing Standards

Common surface for fixed side of corner unit:

- 5/8" laminate;
- To be placed on top of lockers and fixed by the inside.

Dimensions:

LKTOP + 7": covers the lockers on the side of the fixed module of the corner unit.

LKTOP + 16" or 20": covers the lockers on the side of the adjustable module of the corner unit.

Common Surface : Surface with a width of + 7" to cover the top of the corner cabinet and/or fill an empty space.

Notes : It is recommended for lockers of 60"H and less to have a common surface in order to hide the top which could be visible.

Prices

LKTOP - 14" wide lockers

Dimensions		
A	B	Compatible :
15 21	105	1 locker
15 35	105	2 lockers
15 49	122	3 lockers
15 63	158	4 lockers
15 77	192	5 lockers

18 21	105	1 locker
18 35	105	2 lockers
18 49	148	3 lockers
18 63	189	4 lockers
18 77	231	5 lockers

LKTOP - 18" wide lockers

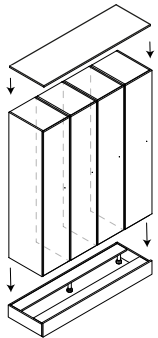
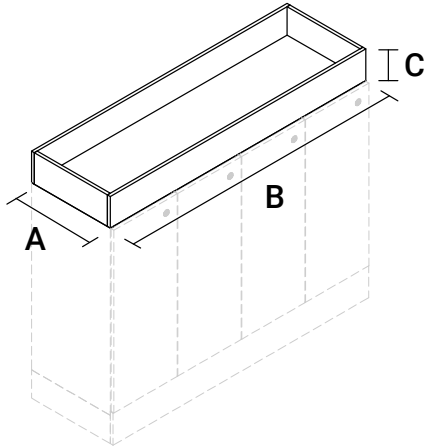
Dimensions		
A	B	Compatible :
15 25	105	1 locker
15 43	107	2 lockers
15 61	152	3 lockers
15 79	197	4 lockers

18 25	105	1 locker
18 43	128	2 lockers
18 61	183	3 lockers
18 79	237	4 lockers

Lockers

Plant Boxes

BTOP



Lockers must be placed on the platforms. Platform and surface sold separately. See p. 18.

How to Order

ABC			
LO		BTOP	
Serie	Dimensions	Product	
Example	LO	17146	BTOP

Manufacturing Standards

- Plant box:
- Delivered disassembled;
 - 5/8" laminate.

Note : This product is not waterproof, it must be protected if plant boxes are placed on it.

Prices

LKTOP - 14" wide lockers

Dimensions			Compatible :
A	B	C	
14	14	6	1 locker
14	28	6	2 lockers
14	42	6	3 lockers
14	56	6	4 lockers
14	70	6	5 lockers

17	14	6	1 locker
17	28	6	2 lockers
17	42	6	3 lockers
17	56	6	4 lockers
17	70	6	5 lockers

LKTOP - 18" wide lockers

Dimensions			Compatible :
A	B	C	
14	18	6	1 locker
14	36	6	2 lockers
14	54	6	3 lockers
14	72	6	4 lockers

17	18	6	1 locker
17	36	6	2 lockers
17	54	6	3 lockers
17	72	6	4 lockers

Accessories

Miscellaneous Accessories

MCMLK

Master key for CMLK lock

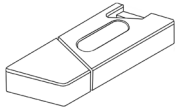


- Master key for CMLK lock;
- Can open all CMLK locks.

Code	\$	Description
MCMLK	9	

ME2

Master key for E2 lock



- Master key for E2 lock;
- To unlock and reset the E2 electronic lock.

Code	\$	Description
ME2	242	

UCE1

E1 lock user card

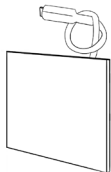


- User card for E1 lock;
- See appendix XY to use the card with E1 lock.

Code	\$	Description
UCE1	13	

CHE1

E1 lock charger



- E1 lock charger;
- Emergency battery charger to unlock E1 lock.

Code	\$	Description
CHE1	124	

ATC 001

Anti-tilt clip

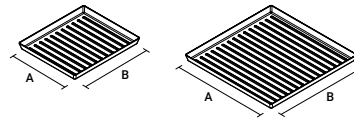


- Metal clip used to prevent tipping, attaches to the floor or wall;
- Sold individually;
- Not mandatory, but recommended:
 - 42" width and less : 1 clip;
 - Width over 42"H : 2 clips;
- Black finish.

Code	\$	Description
ATC 001	27	

BT

Boot tray

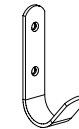


- Dimensions :
 - BT1210 : 12-1/8" x 10-1/2" x 1"H;
 - BT1616 : 15-15/16" x 15-15/16" x 1"H;
- Boot tray protects bottom of lockers;
- Black plastic finish.

Code	\$	Description
BT1210	85	
BT1616	85	

CRLI 013

Hook



- Hook for locker;
- Sold individually.

Code	\$	Description
CRLI 013	19	

LN

Self-adhesive numbers



Self-adhesive numbers to be affixed, on site, to the locker doors to allow identification. 1-1/4"H:

- Numbers to order according to the code:
 - 001-050 : Set of numbers from 1 to 50;
 - 051-100 : Set of numbers from 51 to 100;
 - 101-150 : Set of numbers from 101 to 150;
 - 151-200 : Set of numbers from 151 to 200;
- Finish choices: Black (BL) or light gray (G).

Code	\$	Description
LNBL-001-050	60	
LNBL-051-100	76	
LNBL-101-150	76	
LNBL-151-200	76	

LNG-001-050	60	
LNG-051-100	76	
LNG-101-150	76	
LNG-151-200	76	

As our product line is constantly evolving and expanding, we recommend that you visit logiflex.ca for updates.

logiflex

1235 St-Roch N., Sherbrooke QC J1N 0H2 Canada
T : 1.877.864.9323 | F : 1.800.474.7830 | logiflex.ca