

LEVEL

Price List
USA 2023



logiflex

Table of Contents

Introduction	3	Desks / Double and benching	37	Collaborative Furniture	108
Update Summary	4	Double Rectangular Desks	38	Surface Units	109
Product Map	5	Double Layering Desks	39	Shelf for Shared Desks	110
Our social responsibility	9	Double Installed Desks	43	Wall Hutches	113
Conditions of Sale	9	Shared Benching Workstation - 1-sided	45	Desk Hutches	119
Manufacturing Standards	10	Shared Benching Workstation - 2-sided	49	Storage Hutches	122
How to Use the Price List	11			Shared Desk Hutches	125
How to Order Double and Triple Desks	12	Secondary Desks	53	Shared Storage Hutches	128
Appendix A: Colors and Finishes	13	Returns	54		
Appendix B: met and Communication Box	14	Double Returns	56	Collaborative Furniture	131
Appendix C: Pedestal Cushion	15	Bridges	58	Collaborative and Multimedia Tables	132
Appendix D: Modesty Panel	17				
Appendix E: Wood Grain	17	Floor Storage	59	Divider Screens	136
Appendix F: Utility and File Drawers	17	Low Pedestals	60	Acrylic	137
Appendix G: Layering Desk Supports	18	Mobile Pedestals	64	Laminate	141
Appendix H: Hutch Applications	19	High Pedestals	67	Tackboards	144
Appendix I: Divider Screens	20	Shared High Pedestals	77		
Appendix J: Calculation/Use of Electrical Components	21	Credenzas	80	Accessories	148
Appendix K: Electrical Wire Management Solutions	24			Handles	149
		Storage Units	85	Keyboard Trays	150
Desks / Individual	29	Leg Base Storage	86	CPU Holders	151
Rectangular Desks	30	Sliding Wardrobe Towers	88	Computer Monitor Brackets	152
Layering Desks	31	Wardrobe Towers	91	Miscellaneous Accessories	154
Installed Desks	35	Storage Towers	97	Electrical Accessories	156
Layering Installed Desks	36	Bookcases	103		

Update Summary

The Level price list presents these principal modifications:

DATE	SECTION	MODIFICATIONS
July 4, 2023	Electrical accessories	<ul style="list-style-type: none"> Chicago Code : Certain electrical components are now marked prohibited or restricted for orders in Chicago. (USA pricelist only).

Previous updates:

DATE	SECTION	MODIFICATIONS
May 22, 2023	Mobile Pedestals	<ul style="list-style-type: none"> Addition of lock option for MOBC and MOBD.
February 1, 2023	All the Price List	<ul style="list-style-type: none"> All prices have been increased by approximately 5%. Transition from 6 to 14 grades of fabric. New certification Indoor Advantage Gold (replace Greenguard).
December 1, 2022	Divider screens	<ul style="list-style-type: none"> Removal of the divider screen C2.
	Electrical accessories	<ul style="list-style-type: none"> Adjustment of the names and images of certain items.
July 1, 2022	All the Price List	<ul style="list-style-type: none"> All prices have been increased by approximately 5%. Replacement of the 1 circuit and 4 circuits electrical system.
	Appendix A	<ul style="list-style-type: none"> Color availability chart update for the HPL.

Introduction

Product Map

Desks / Individuals

Rectangular Desks p. 30

Layering Desks p. 31

Installed Desks p. 35

Layering Installed p. 36

Desks / Doubles & benching

Double Rectangular Desks p. 38

Double Layering Desks p. 38

Double Installed Desks p. 43

Triple 120 Degree Desks p. 44

Shared Benching Workstation - 1-sided p. 45

Shared Benching Workstation - 2-sided p. 49

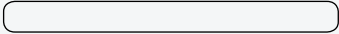
Secondary Desks

Returns p. 54

Double Returns p. 56

Bridges p. 58

Introduction



Product Map

Floor Storage

Low Pedestals p. 60

Mobile Pedestals p. 64

Sliding-Surface Pedestals p. 67

High Pedestals p. 67

Shared High Pedestals p. 77

Credenzas p. 80

Storage towers and bookcases

Leg Base Storage p. 86

Sliding-Wardrobe Towers p. 88

Wardrobe Towers p. 91

Shared Storage Towers p. 97

Bookcases p. 97

Storage Towers p. 100

Bookcases p. 103

Introduction

Product Map

Wall & Surface Storage

Surface Units p. 109

Shelf for Shared Desks p. 110

Wall Units p. 113

Desk Hutches p. 119

Storage Hutches p. 122

Shared Desk Hutches p. 125

Shared Storage Hutches p. 128

Collaborative Furniture

Collaborative and Multimedia Tables p. 132

Introduction



Product Map

Divider Screens

Acrylic p. 137

Laminate p. 141

Tackboard p. 144

Electrical Accessories

Electrical Accessories p.159



Our social responsibility

At Logiflex, we have chosen to be a responsible North American manufacturer by implementing initiatives for sustainable development. As much as possible, we source local materials and partner with suppliers who prioritize clean manufacturing processes. We also consolidate goods during transport to reduce our fuel consumption and we continually make changes that help reduce our waste production.

The company is ISO 9001 certified.

You can consult our eco-responsible approach as well as all our certifications in the [Certifications](#) section of our website. Find out how our products can help you obtain LEED credits and the Logiflex products that are Indoor Advantage Gold certified.

Conditions of Sale

Prices

The amounts listed in this document are suggested retail prices and may be changed without notice. Applicable taxes are not included. If you have an open and active account with Logiflex, merchandise will be invoiced at the prices prevailing at the time of shipment. A deposit may be requested if the opening of your account has not been completed or if your account has become inactive.

Terms of Payment

Net 30 days F.O.B. Sherbrooke, Quebec. The invoice will be assigned the shipping date and is payable 30 days from that date. Logiflex remains the owner of the merchandise until the invoice is paid in full.

Customized Products (Special Items)

Price requests for customized products or special items can be submitted via the ["Private Space"](#) section of our website, at www.logiflex.ca. Our quotations department will study your request and send you a quotation and a technical drawing for approval as soon as possible. Modifications to quotations or technical drawings can be requested the same way. The approved quotation(s) and technical drawing(s) can then be attached to your purchase order.

Orders

An official purchase order must be issued for all purchases. Your purchase order must contain the following information:

- Your company letterhead
- Your reference number
- The delivery address (with contact name, email and phone number)
- The complete product codes
- Furniture colour(s)
- Quantities
- Descriptions
- Retail prices and net prices
- Project registration number (if applicable), and your approved quotation and technical drawing (for special items).

Please note that a quotation cannot serve as a purchase order.

Returns

All returns must first be approved by Logiflex. If the return is accepted, a Logiflex customer service representative will send you an official return authorization form in order to facilitate procedures between you, the carrier, and the Logiflex merchandise reception clerk. Additional costs for shipping or other expenses may be applied following any merchandise returns.

Modifications and/or Cancellations

You have 48 hours from the time we acknowledge receipt of your order to make any requests for corrections or modifications. You may cancel your order during this same 48-hour period. If you would like to modify or cancel your order after this 48-hour verification period, please check with a Logiflex customer service representative. Orders cannot be changed or cancelled if production has already begun or if Logiflex has already received the raw materials.

Liability

Logiflex's liability ends once the carrier has delivered all items in good condition. A delivery receipt signed by the customer acknowledges that the shipment is complete and has been received in good condition.

Claims

Logiflex recommends inspecting the shipment before signing the carrier's delivery receipt. You must notify Logiflex of any incomplete shipments or damaged furniture within 30 days after delivery. Requests to replace damaged products can be made via the ["Private Space"](#) section of our website, at www.logiflex.ca. Our after-sales service department will examine your request and help you correct the situation.

Changes

Logiflex reserves the right to make changes to the materials, accessories, components, specifications and designs, and to discontinue collections and/or models, at any time and without prior notice.

Storage and/or Shipping Fees

According to the terms Logiflex set forth in the transport policy. The transport policy can be consulted online in the Private Space.

Items Delivered Disassembled

Some items are delivered disassembled, such as empty desks, empty returns, bridges, arched tables, D, P or Q tables, lateral tables, end tables, hook tables, corner tables and extended-corner tables.

Warranty

Logiflex guarantees to the original purchaser that Logiflex products are free from defects in design, materials and workmanship for the product's lifetime, with certain exceptions.

You may consult the full warranty on the website: [Logiflex Warranty](#)

Introduction

Manufacturing Standards

Knocked Down Furniture

Desks are delivered knocked down.

Top

Workstation worksurfaces are 1" thick.

Handles

Handles are included for all furniture items with doors or drawers, with the exception of wall cabinet units. The standard handle for laminate drawers and doors is H052CHR, but it is possible to specify a different handle model, at no extra charge. See Accessories on [p. 149](#) for further details of the available handles. The standard handle for glass doors with aluminum frames is an aluminum handle built into the door.

Grommet

Grommet is included, except for rectangular and layering primary desks. The grommet is the CCPF. See [Appx. B](#) for further details.

Locks

Locks are optional, except for mobile pedestals, and come with a satin nickel finish. See Accessories on [p. 154](#) for further details.

Drawers

All drawer interiors are constructed of 7/16" black panels and all drawer bottoms are made of 1/8" masonite panels.

Drawer Fronts

A PVC strip 1.5 mm thick is systematically applied along all drawer front edges.

Wood grain

Wood grain is vertically matched for all furniture fronts. See [Appx. E](#) for further details.

Levelers

All furniture items (except bridges) sit on 1" in diameter, white nylon levelers, allowing for up to 1-1/4" height adjustment.

Modesty panels

Modesty panels are optional, except for double desks, desks without metal legs and with at least one laminate leg. See [Appx. D](#) for further details on modesty panels.

Fronts

Fronts hide the surface for all storage units and towers. For all pedestal storage units and credenzas, the surface has a 5/8" lip and the furniture fronts are positioned under the surface.

Finishes

The metal legs and handles have a standard chrome finish. It is possible to specify another finish. See [Appx. A](#) for further details on the available metal finishes.

Support bar

The support bar is centered at 12" to the visitor side of the top when its included (see the Manufacturing Standards of the desk). Subtract 13-1/2" to the total dept of the desk to know the clearance on the user side under the top.

Introduction

How to Use the Price List

Interactive menu product line → Primary Desks

Product group → Rectangular Desks

Product name → Rectangular Desks

Product code → ex.: YY

Product image →

Illustrated options → **Options**

Navigation buttons (when blue) → **P**, **PM**, **FM**, **MGR**, **C.PF**, **A**, **B/C**, **D**, **WAVC**, **QIBL**, **QISL**

Ordering instructions → **How to Order**

Navigation buttons → Previous View, Previous Page, Next Page, Product Map, Table of Contents

Product-specific manufacturing standards → **Manufacturing Standards**

Additional product information and notes → See Appendix A for the metal finishes available (no extra charge).

Prices → **Prices**

Dimensions → **Dimensions**

Blue text hyperlink → **QI** (Appx. B)

Standard Product Code
Details as per the price listed

Options, if desired (\$)
Always after the product code

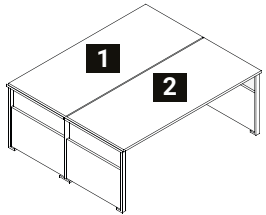
Introduction

How to Order Double and Triple Desks

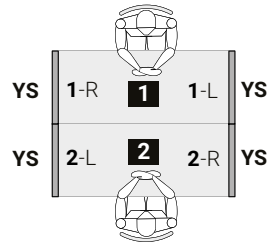
Choose the desired leg type and specify each desk leg **individually** on their respective "Order" lines.

Important Note: Shared legs must be the same on adjoining desks.

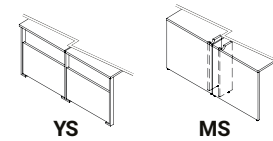
How to Order a Double Desk



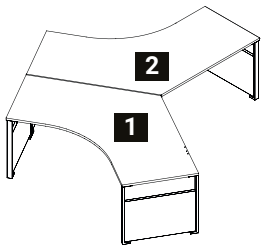
How to Order				
	A	B	YS MS WS	YS MS WS
1	LV			
2	LV			
	series	dimensions	left leg	right leg
Example 1	LV	3060	YS	YS
Example 2	LV	3060	YS	YS



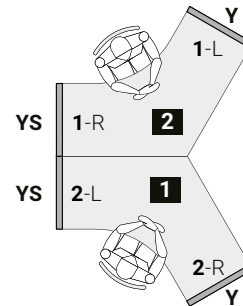
Shared Leg Choices



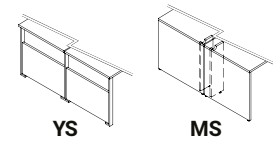
How to Order a Double 120 Degree Desk



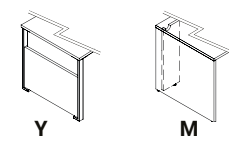
How to Order				
	A	B	YS WS MS W MM	YS WS MS Y MM
1	LV		120DD	
2	LV		120DD	
	series	dimensions	code	left leg
Example 1	LV	3060	120DD	YS
Example 2	LV	3060	120DD	Y



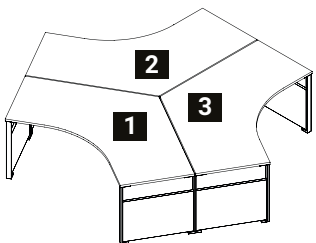
Shared Leg Choices



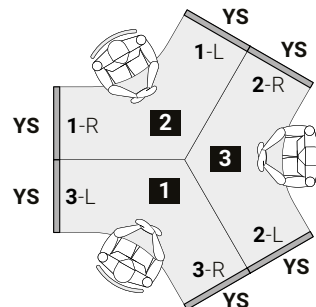
Single Leg Choices



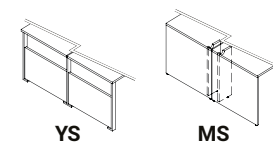
How to Order a Triple 120 Degree Desk



How to Order				
	A	B	WS MS YS	WS MS YS
1	LV		120DT	
2	LV		120DT	
3	LV		120DT	
	series	dimensions	code	left leg
Example 1	LV	3060	120DT	YS
Example 2	LV	3060	120DT	YS
Example 3	LV	3060	120DT	YS



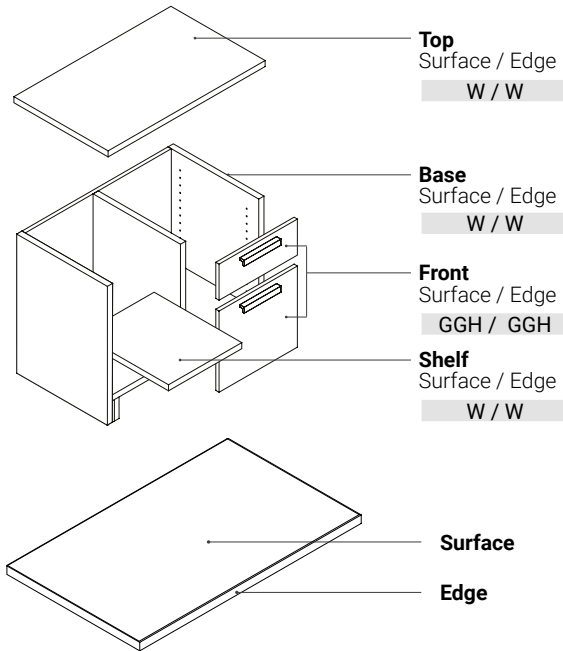
Shared Leg Choices



Introduction

Appendix A: Colors and Finishes

How to specify your laminate colors



Metal Finishes

- CHR** Chrome
- SN** Satin Nickel
- BL** Black
- WH** White

Glass and Acrylic

- V4** White Glass
- V5** White Satin Glass
- KB** Jet Black Glass
- KS** Black Satin Glass
- KE** Ocean Blue Glass
- KO** Overseas Blue Glass
- KR** Bright Red Glass
- KM** Metallic Grey Glass
- KA** Satin Silver Glass
- KG** Satin Gold Glass
- VS** Frosted Glass
- PL** Frosted Acrylic

Availability Chart

FINI FINISH	CODE	COLOR COULEUR	THICKNESS ÉPAISSEUR			HPL STRATIFIÉ	PANVAL CODE
			5/8"	1"	1-5/8"		
OMNIA	DOO	Dosha	•	•		•	K77
	COO	Cosmos	•	•		•	K78
AURA	GIA	Ginger Root Gingembre	•	•		•	H72
	HAA	Haze Brume	•	•	•	•	H57
	OHA	Ohm	•	•	•	•	K69
	STA	Storm Tempête	•	•	•	•	H58
	TUA	Tundra	•	•		•	H75
LYRA	ASY	Asha	•	•		•	K47
	CIY	Chiffon Mousseline **	•	•	•	•	K60
	KAY	Kali	•	•		•	K46
SUPERMAT	IGS	Ingot grey Gris lingot	•	•			828
	WGS	Willow grey Gris saule	•	•			802
DOLOMITE	AU	Audacity Audace **	•	•	•	•	241
	B	Jet Black Noir intense *	•	•		•	888 S405-CA
	BC	Brown cherry Cerisier brun	•	•	•	•	207
	C	Slate Ardoise *	•	•		•	801
	DR	Driftwood Bois de rive	•	•		•	744
	G	Mink Grey Gris vison	•	•		•	805 OU-927
	NM	Natural Maple Érable naturel	•	•	•	•	206
	PO	Porto	•	•		•	913 OU-648
	SW	Smoked Walnut Noyer fumé	•	•	•	•	G21
	TO	Tobacco	•	•		•	205
	W	Polar White Blanc polaire	•	•	•	•	555 459-CA
	WK	Whisky	•	•	•	•	245
HIGH GLOSS SUPER LUSTRE	W-H	Polar White - fronts Blanc polaire - façades	•				

* Non recommended color for work surfaces.

** For conference tables with 2 or more parts, we do not recommend the use of colors with irregular and contrasted woodgrain like Chiffon, Audacity or Coastal Pear as it results in a pronounced wood grain mismatch.

Colors may vary from 2% to 5% between tfl and hpl laminates due to different technical applications.

See our complete [Colors & Finishes Guide](#)

New

Introduction

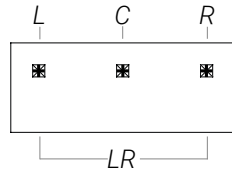
Appendix B: met and Communication Box

Grommet

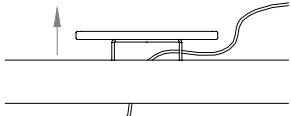


C_PF

Square metal grommet in satin nickel, chrome and black finish



Position : L, R, C, LR



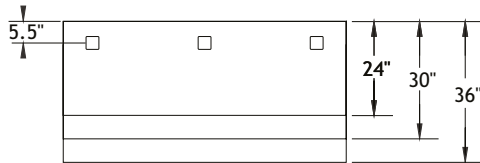
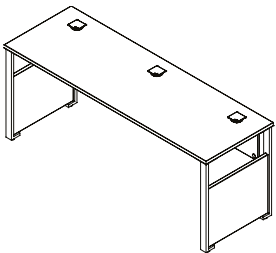
Open position

Allows wire management

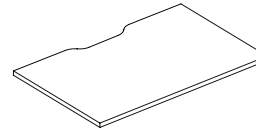


Closed position

When a desk is 24" deep, it is not recommended to order a grommet in the centred position because the available workspace is reduced. It is recommended to replace the centred grommet with a cutout for wires WAVC.



Cutout for wires

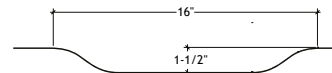


WAVC

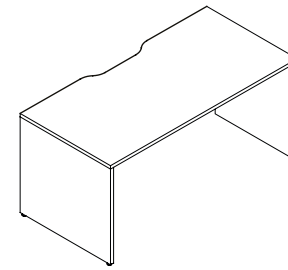
Wire management cut-out



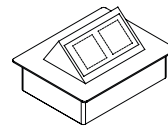
Position: C



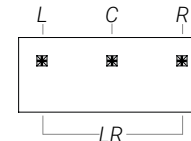
Dimensions



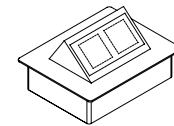
Connection Unit



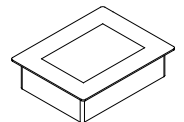
MH3



Position : L, R, C, LR



Open position
Push to open



Closed position

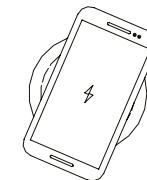
Wireless Charger



QIBL



A B

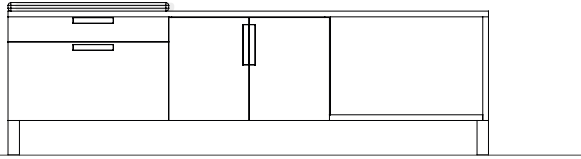


Charges Qi capable devices

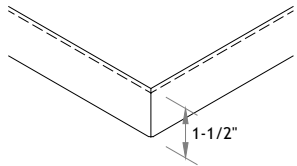
Introduction

Appendix C: Pedestal Cushion

Application

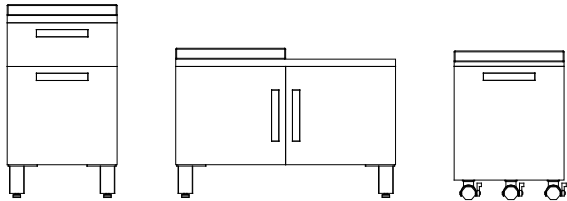


Left cushion (CL) on a high pedestal (UN02L)



1-1/2" thick cushion with stitching on its perimeter and seam at the four corners.

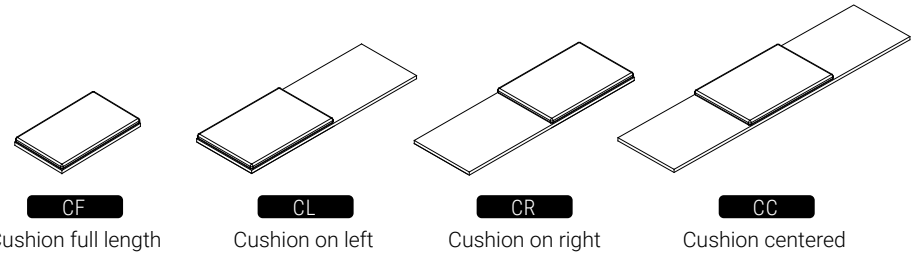
Availability



Available on all:

- High pedestals
- Low pedestals
- Mobile pedestals

Position

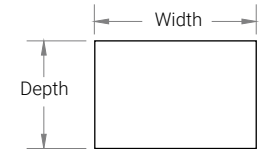


Attention: Specify cushion code along with its base storage to ensure the right dimensioning.

COM Fabric

number of yards required:

Depth	Width	Total
18", 20", 23"	24" - 36"	1
20"	48"	2
20"	60"	3



Upholstery Specification

Logiflex offers two options for upholstery specification:

Option 1: Customers may specify an upholstery from any supplier. Logiflex will then confirm upholstery grade and seat cost.

Option 2: Customers may select and purchase upholstery of their choice and ship upholstery to Logiflex (COM).

See next page for further details on these options).

Introduction

Appendix C: Pedestal Cushion (continued)

Option 1 : Specified Upholstery

Customers may consult websites of our principal suppliers to visualize their complete product range. It is then possible to consult the graded-in list available on Logiflex.ca to be informed of the appropriate Logiflex grade.

Website of the upholstery supplier gives essential information to the maintenance, availability, quality and performance of the selected upholstery. In all cases, the upholstery supplier's warranty will apply.

Information to provide with the order:

Customer name
Purchase order number
Upholstery supplier name
Pattern name/number
Color name/number
Number of yards to order

Principal suppliers:

Momentum Textiles	themomgroup.com
Ennis Fabrics	jennisfabrics.com
Maharam	maharam.com
DesignTex	designtex
Mayer Fabrics	mayerfabrics.com

Option 2 : Customer's Own Material (COM)

Logiflex offers the option of providing your upholstery. The price will be based on the cushion grade 1. The upholstery must be received three weeks prior to the acknowledged ship date. Delay in COM receiving may cause shipment to be delayed.

Customers have the option to provide Logiflex with a sample for approval prior the order. If no sample is sent for approval in advance, Logiflex is not responsible of any cost caused by unsuitable upholstery for the product or the production process. Furthermore, Logiflex reserves the right to refuse any upholstery that does not meet Logiflex selection criteria.

COM must be delivered to the Logiflex factory with freight and duties paid. All charges to COM acquisition on the customer's behalf will be passed onto the customer.

Logiflex does not assume responsibility for upholstery availability, quality, performance or appearance, the Logiflex warranty excludes customer's own materials.

The following information must be included with the COM upholstery delivery and be communicated to the account manager along with the purchase order:

Customer name
Purchase order number
Upholstery supplier name
Pattern name/number
Color name/number
Number of yards delivered

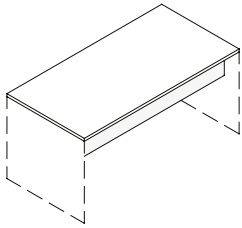
Shipping address:

Logiflex
Attn: Receiver
1235 St-Roch North Road
Sherbrooke Quebec
Canada J1N 0H2

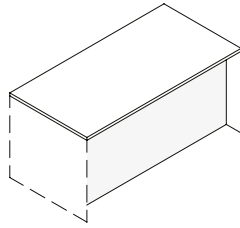
Introduction

Appendix D: Modesty Panel

Modesty Height

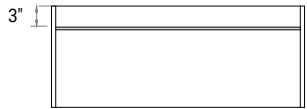


PM
Partial Modesty
(10" high)



FM
Full Modesty

Recessed



Top View

Recessed 3" for:

- Rectangular primary desks
- Layering primary desks.



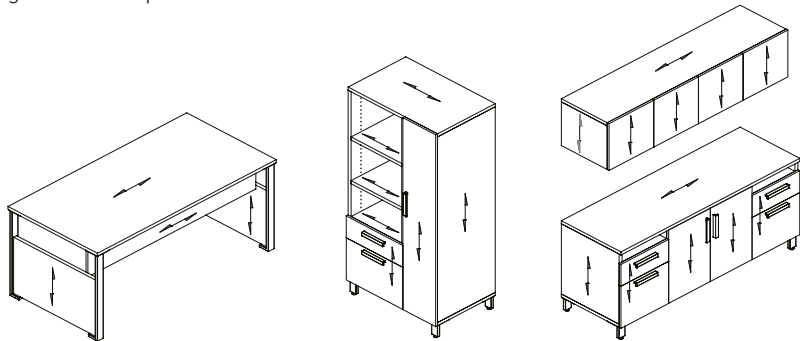
Top View

No recess for:

- Returns
- Secondary desks
- Bridges

Appendix E: Wood Grain

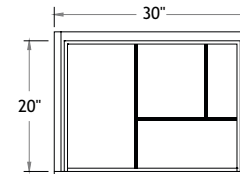
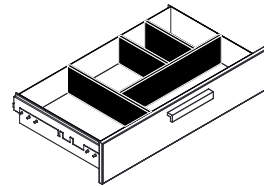
Wood grain is vertically matched for all furniture fronts. See image below for wood grain direction placements.



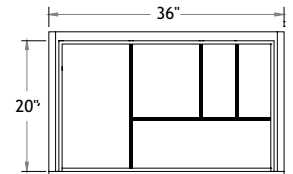
Appendix F: Utility and File Drawers

Utility Drawers

30" and 36" wide utility drawers have standard built-in dividers.



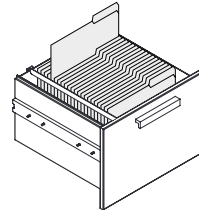
Top View



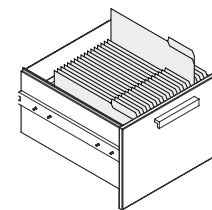
Top View

File Drawers

File drawers can receive either legal or letter formats. Please refer to the illustration below.

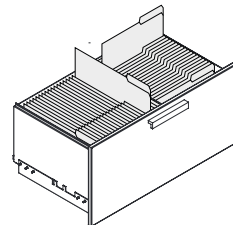


Letter format



Legal format

Lateral File Drawers



Legal and Letter formats

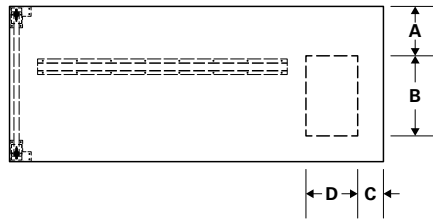
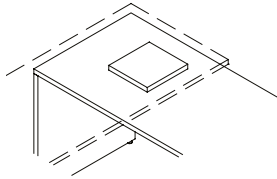
Introduction

Appendix G: Layering Desk Supports

Layering desks may be supported by different pieces of furniture such as 27" high secondary desks, as well as 25" high storage pedestals. Four types of support devices are offered. Four types of supports are offered in the same finish as the surface.

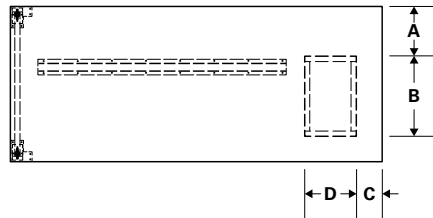
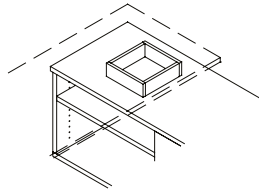
Application examples

B1
1" thick support device to be used with 27"H secondary desks



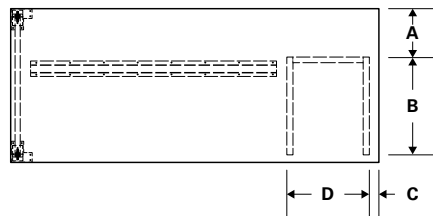
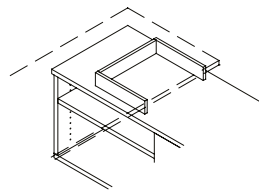
Desk depth	Dimensions			
	A	B	C	D
24"	9 1/2"	9 1/2"	5"	10"
30"	9 1/2"	15 1/2"	5"	10"
36"	9 1/2"	21 1/2"	5"	10"

B3
3" thick support device to be used with 25"H storage pedestals



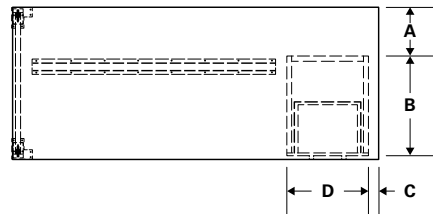
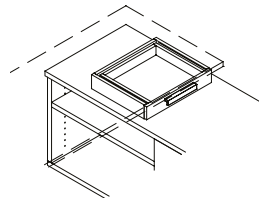
Desk depth	Dimensions			
	A	B	C	D
24"	9 1/2"	9 1/2"	5"	10"
30"	9 1/2"	15 1/2"	5"	10"
36"	9 1/2"	21 1/2"	5"	10"

PG
3" thick pigeon hole unit to be used with 25"H storage pedestals



Desk depth	Dimensions			
	A	B	C	D
24"	9 1/2"	13"	2"	16"
30"	9 1/2"	19"	2"	16"
36"	9 1/2"	25"	2"	16"

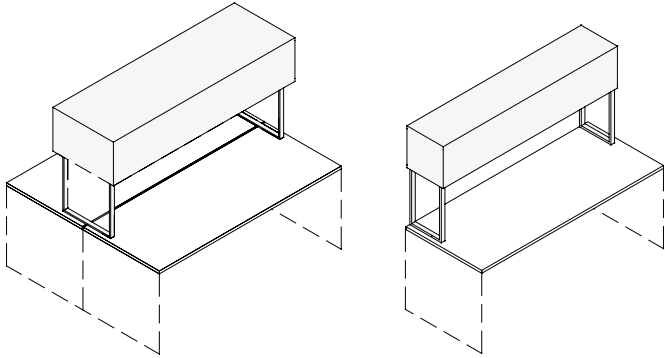
DR
3" thick drawer unit to be used with 25"H storage pedestals
Interior dimensions of the drawer: 9 3/8" P X 11 11/16" L



Desk depth	Dimensions			
	A	B	C	D
24"	9 1/2"	13 5/8"	2"	16"
30"	9 1/2"	19 5/8"	2"	16"
36"	9 1/2"	25 5/8"	2"	16"

Introduction

Appendix H: Hutch Applications

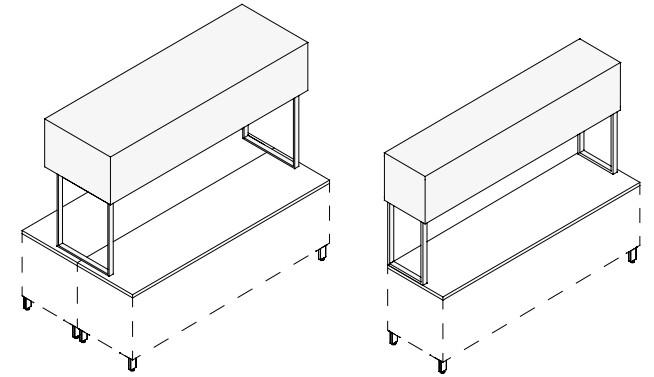


Hutches are recessed 1/4" from surfaces they are installed on.

P

Desk Application

To apply a hutch on an applicable work surface indicate "P" in the order line.

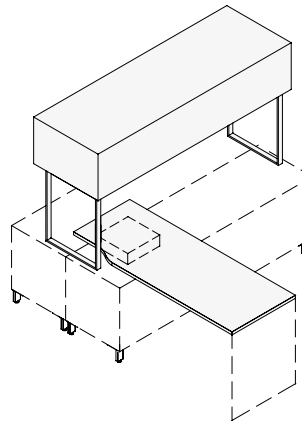


Note: *Hutches are recessed 1/4" from surfaces they are installed on.*

P

High Pedestal Application

To apply a hutch on a high pedestal application indicate "P" in the order line.



E

Layering Desk Application

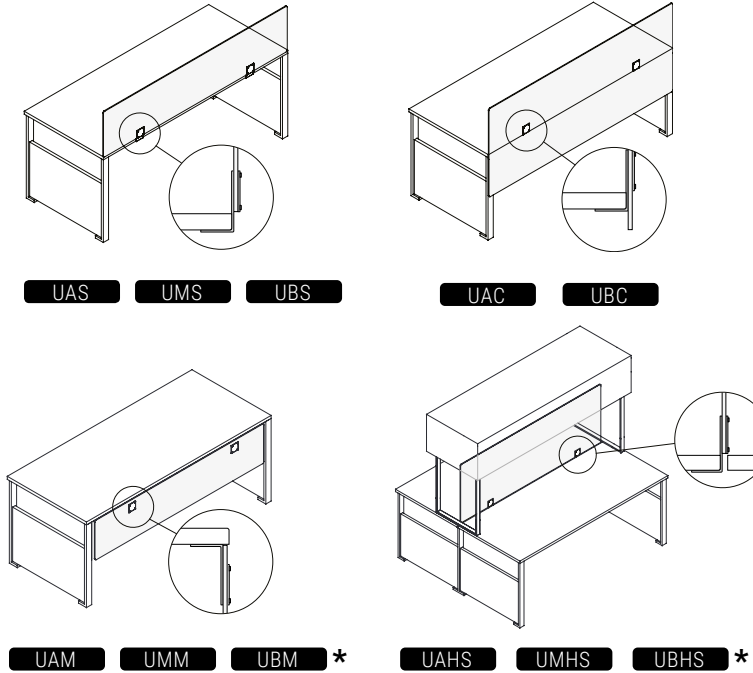
On a layering desk, a cutout can be made by indicating "E" in the order line.

Appendix I: Divider Screens

Under Mount Clip Applications

Code Definitions

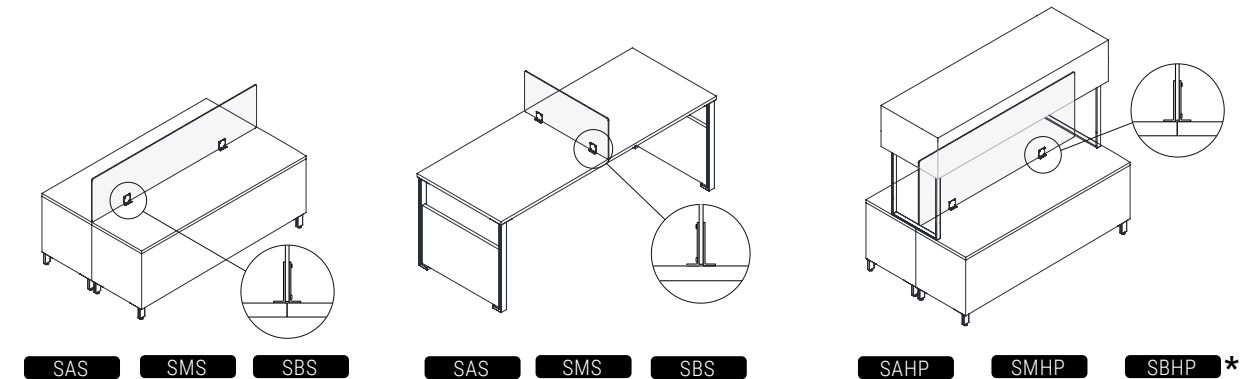
Clip	Insertion	Position	Illustration
U Under Mount	A Acrylic (C1) 1/4"	S Surface	
		C Centered	
	M Laminate 5/8"	M Modesty	
		HS Desk Hutch	
	B Tackboard 7/8" (+/- 1/8")	HS Desk Hutch	



Surface Mount Clip Applications

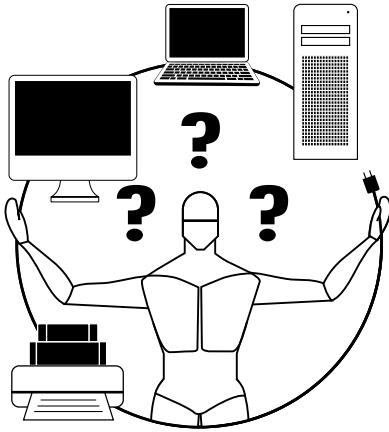
Code Definitions

Clip	Insertion	Position	Illustration
S Surface Mount	A Acrylic (C1) 1/4"	S Surface	
		HP Storage Hutch	
	B Tackboard 7/8" (+/- 1/8")		



***Note:** When ordering a divider screen that is between two metal legs, the total length is 6" shorter than the length of the hutch because of the width of the legs.

Appendix J: Calculation/Use of Electrical Components



An Introduction to Calculation and Use of Electrical Components

Most people are uncomfortable with anything related to electricity. This step-by-step guide is intended for people who are not familiar with electrical installations but who have to specify what system they need when ordering furniture. In this guide, you will learn how to choose and specify the electrical components required for your projects. The list that follows illustrates and identifies each product and describes its applications.

The electrical components are all recognized by the Underwriters Laboratory (UL) as office furniture accessories and are manufactured according to Canadian Standards Association (CSA) and UL electrical standards.

Note: All electrical connections must be performed by a certified electrician.

By following these 3 simple steps, you can easily determine the number of circuits required to ensure safe use of your electrical system.

1. Determining the Number of Amperes Required
2. Calculating the Total Amperes
3. Determining How Many Circuits You Need

STEP 1: Determining the Number of Amperes Required

What is Amperage

An Ampere (Amp or A) is a unit for measuring the rate at which electric current flows. All electrical equipment has an amperage rate. By following these few simple steps, you can easily determine the number of circuits required to ensure safe use of your electrical equipment.

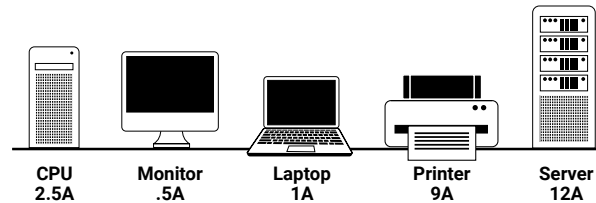
Determine the Number of Amperes Required

On your computer or other electric devices (ie: monitor, central processing unit, printer) find the plate that provides the technical specifications as follows:

Input: 120V - 1.8A.

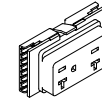
If you cannot locate this information on the machine, you will probably find it in the user manual.

Here are a few examples of how many Amps some equipment may consume. Please note that these are examples and the number of amperes may vary from one machine to another.



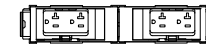
Electrical System Capacity

Our electrical system is designed for circuits of 20 amps each. This includes electrical components such as computers, printers, laptops, monitors, server or other devices.

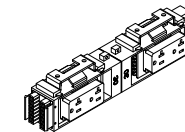


20A

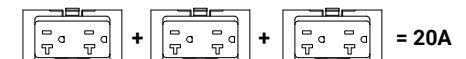
A single Duplex has a maximum capacity of 20 A



Each power block can hold 2 Duplex



Each power block can hold 4 Duplex



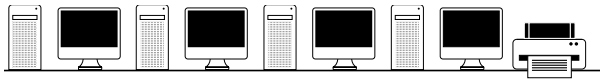
If the duplexes are connected to the same circuit, the capacity is divided between them. For example, 3 duplexes connected to the same circuit have a total capacity of 20A.

Appendix J: Calculation and Use of Electrical Components

STEP 2: Calculating the Total Amperes

Add the Amperes

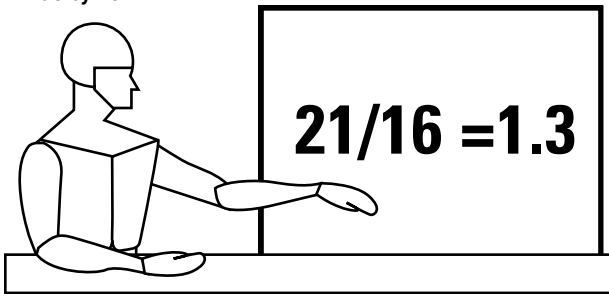
Add the number of amps for each machine. In our example, there are 4 CPUs at 2.5A per computer, 4 monitors at 0.5A and one printer at 9A.



$$2.5A + .5A + 2.5A + .5A + 2.5A + .5A + 2.5A + .5A + 9A = 21A$$

The total number of amperes used in this example equals to 21A.

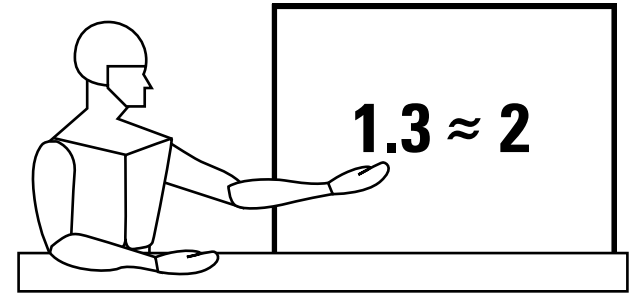
Divide by 16



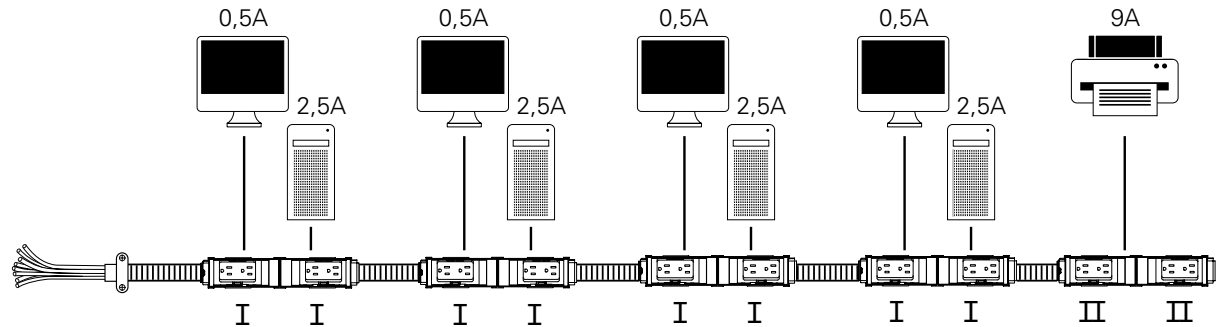
Most machines and computers used in offices or schools are used continuously for many hours at a time. In this type of situation, national electrical codes usually limit circuits at 80% of their capacity of continuous use. Our electrical system is designed for circuits of 20 amps each. So 80% of 20A is 16 Amps. You must therefore divide the total number of amperes calculated by 16.

STEP 3: Determining How Many Circuits You Need

In most cases, this number will contain decimals. Round up to the next whole number, and this will be the number of circuits required for your equipment to run safely. If the number obtained is higher than 4 (the maximum number of circuits for a system), you must reduce the total amperage or add another electrical system. Continuing with our example, the 1.3A is rounded up to 2A.



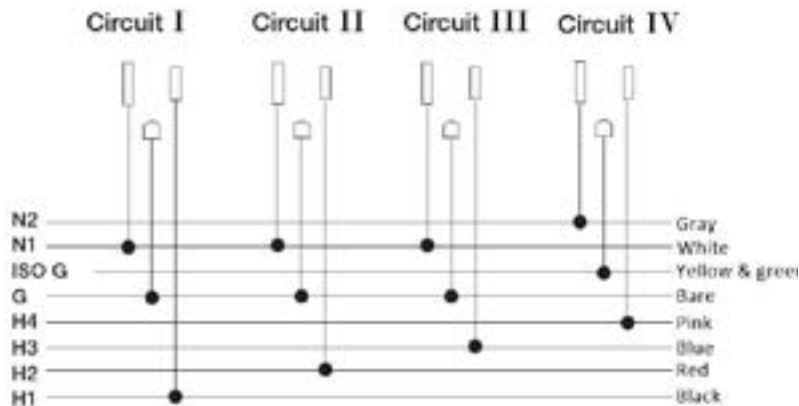
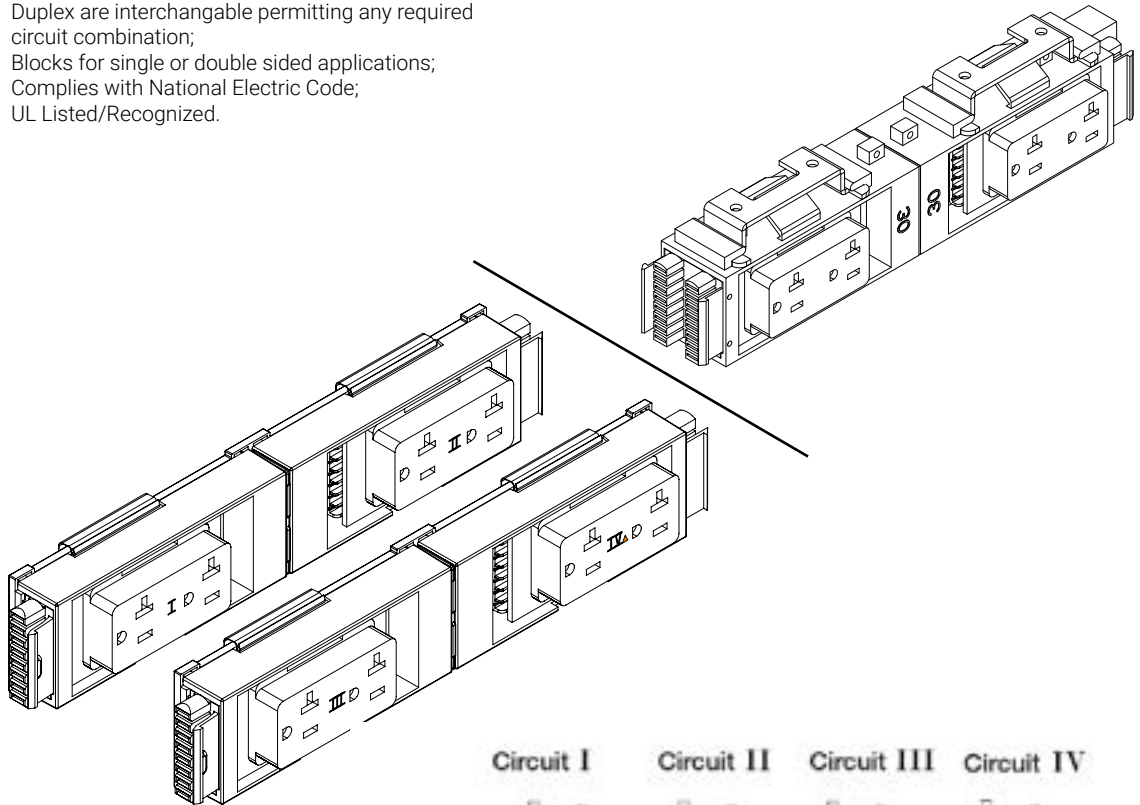
Here is one possible configuration. Using 5 power blocks joined together with junction cables, only 2 circuits are being used. The 4 workstations would be on the first circuit for a total of 16 amps. The printer would be on the second circuit.



Appendix J: Calculation and Use of Electrical Components

8 Wire, 4 Circuit (3+1) Power Block

- Duplex are interchangeable permitting any required circuit combination;
- Blocks for single or double sided applications;
- Complies with National Electric Code;
- UL Listed/Recognized.



Starter Cable with Hardwire



- 4 circuit starter cable with hardwire at one end;
- 4 circuits rated for 20 AMP each;
- Available in lengths from 12" to 180";
- Whip end to be connected to building power by an electrician.

Starter Cable with Plug



- 1 circuit starter cable with 20A electrical plug;
- Circuit rated for 20 AMP;
- Available in lengths from 36" to 180".

Junction Cable

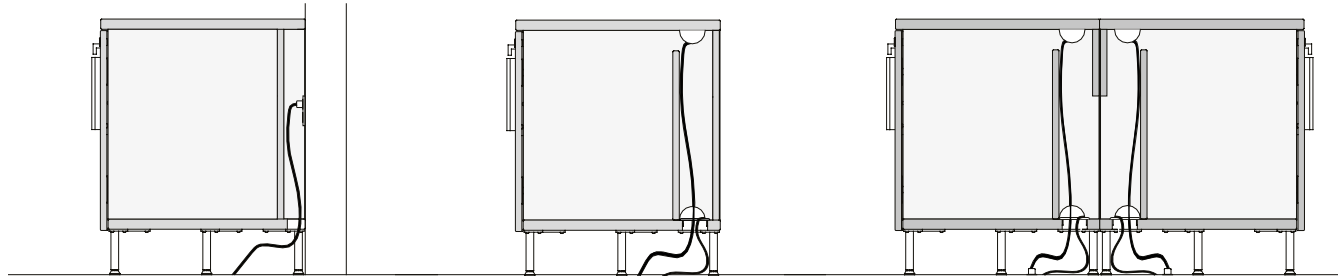


- 4 circuit cord;
- All circuits rated for 20 AMP;
- Available in lengths from 12" to 216".

Appendix K: Electrical Wire Management Solutions

Electricity for Floor Storage

The high pedestal construction can be adapted to accommodate different electrical configurations of work stations.



EM
Wall Power

- Back recessed by 2" to clear wall outlets;
- WAV grommet in the base of the unit to pass cables.

EH
Concealed Power

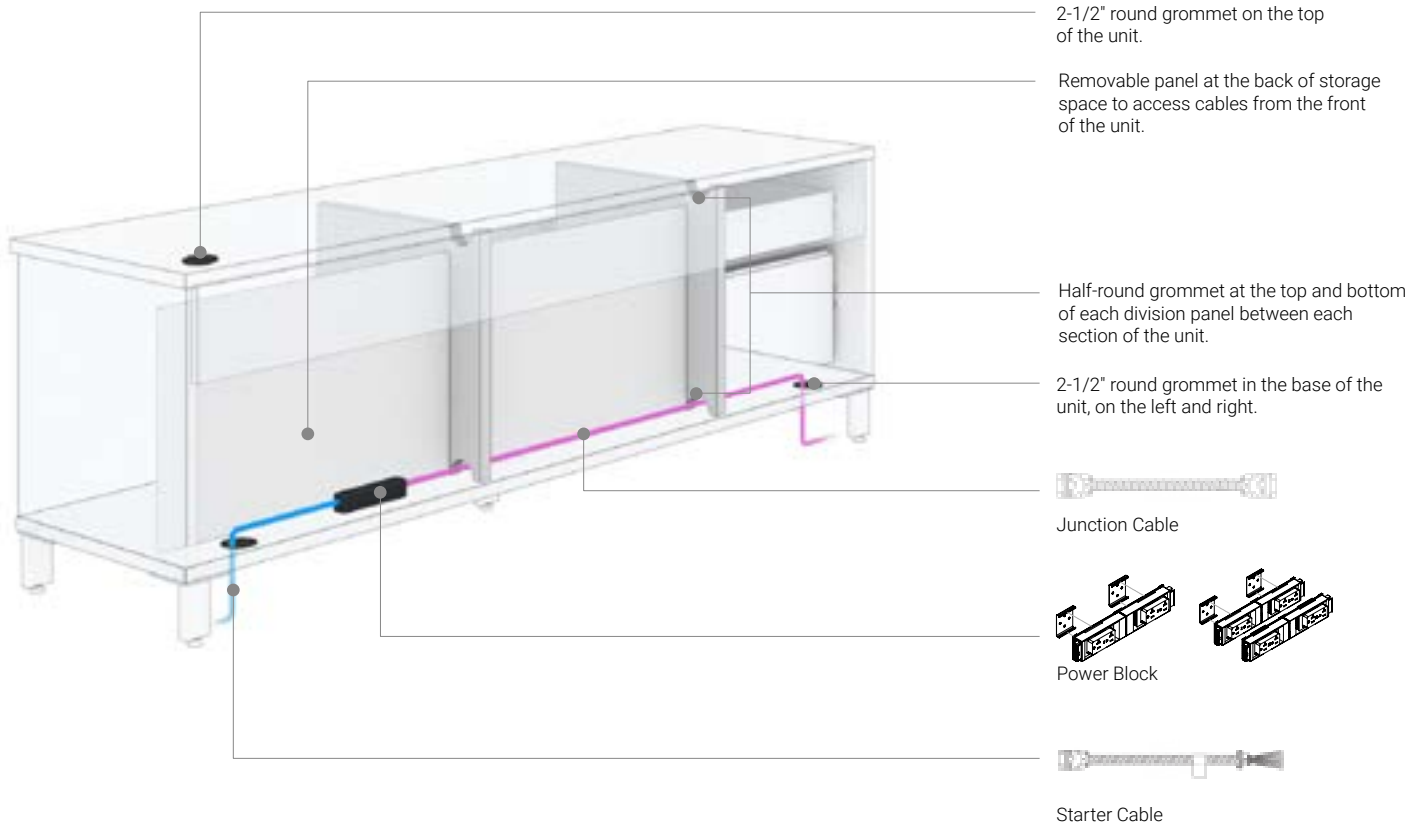
- Full back;
- 2-1/2" round grommet on the top of the unit;
- Removable panel at the back of bookcase or open sections to access cables from the front of the unit;
- 2-1/2" round grommet in the base of the unit, on the left and right;
- Half-round grommet at the top and bottom of each division panel between each section of the unit.
- Units with shelves: the shelf will be removed and the space converted to open storage.

EC
Central Power

- Open back;
- 2-1/2" round grommet on the top of the unit;
- Removable panel at the back of storage space to access cables from the front of the unit;
- 2-1/2" round grommet in the base of the unit, on the left and right;
- Half-round grommet at the top and bottom of each division panel between each section of the unit.
- Units with shelves: the shelf will be removed and the space converted to open storage.

Appendix K: Electrical Wire Management Solutions

Example: High Pedestal with EC option - open back



CHICAGO CODE

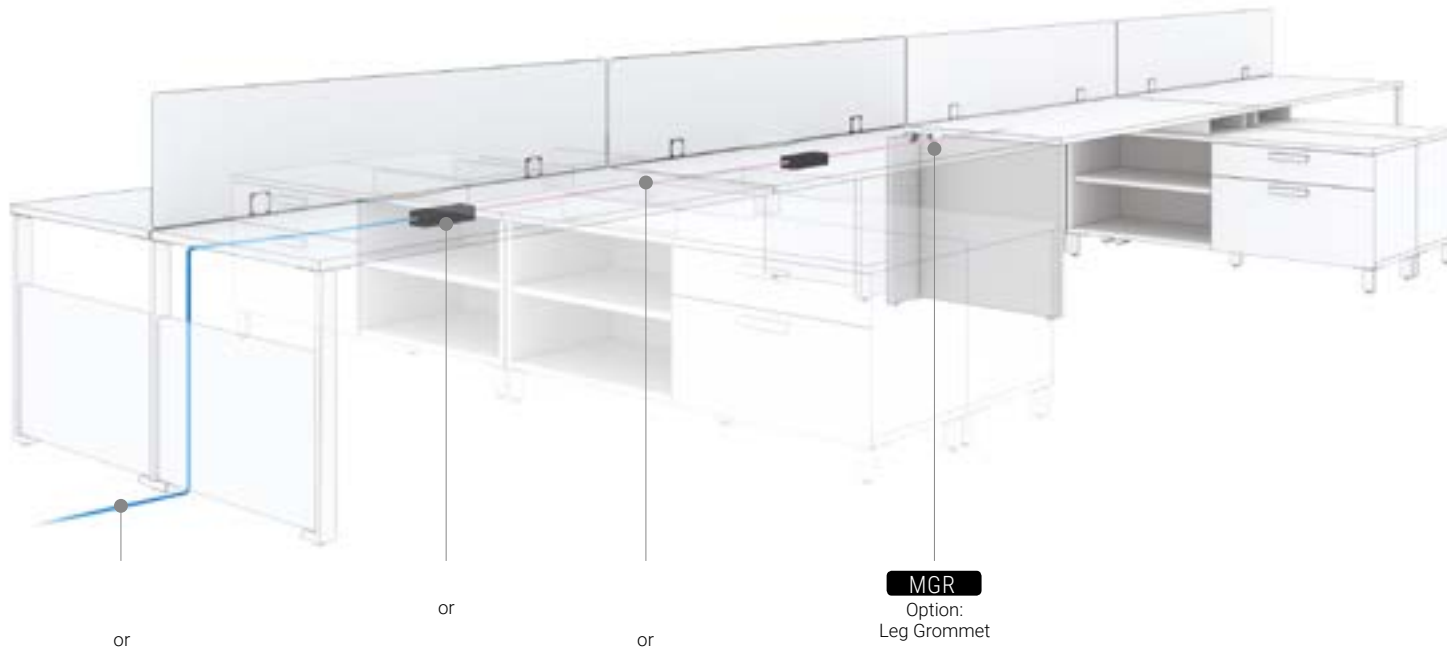
There is a specific norm about Chicago electrical components. Some of our products are approved, but not all of them.




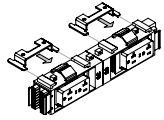
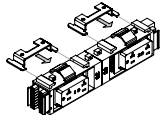


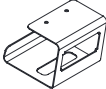
If you see this logo in [Accessories](#), this means the product is **NOT** approved in Chicago. More info [here](#).

Appendix K: Electrical Wire Management Solutions

Electrical configurations for Benching



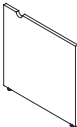
Electrical Accessories

Starter Cable 	Mounting Bracket with Power Block 	Cable Support with Power Block 	Junction Cable 	Velcro Tie 	Cable Support 
---	---	--	--	---	---

or

Options

Leg Grommet



MGR




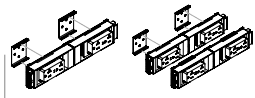

Appendix K: Electrical Wire Management Solutions

Electrical configurations for Focus



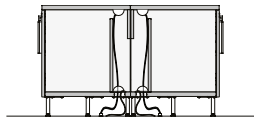
Pedestal with EC option

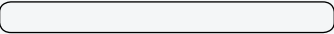
⚡ Electrical Accessories

Starter Cable 	Mounting Bracket with Power Block 	Junction Cable 
---	---	--

⊕ Options

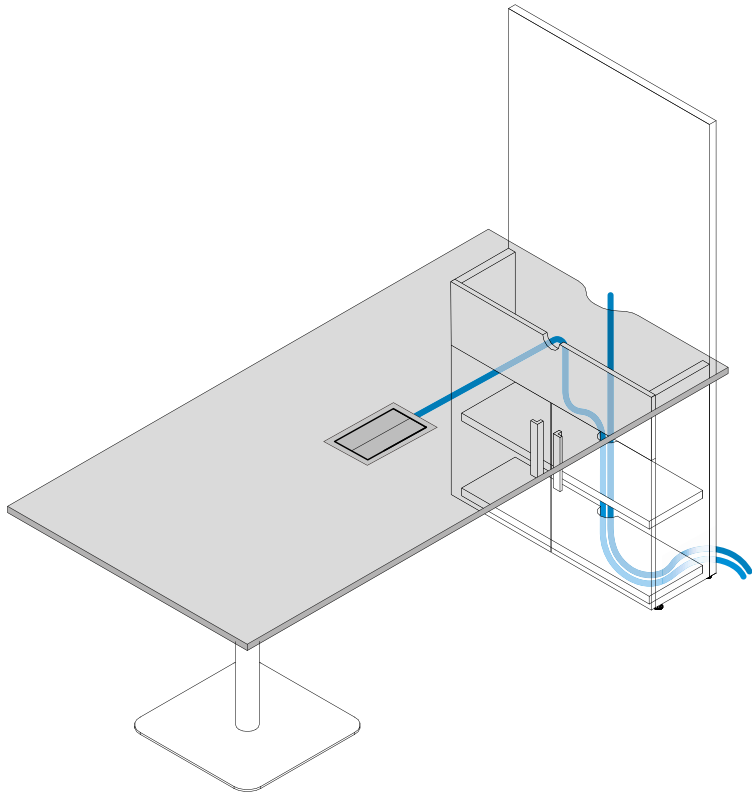
Central Power Open Back





Appendix K: Electrical Wire Management Solutions

Electrical configurations for Collaborative and Multimedia Tables



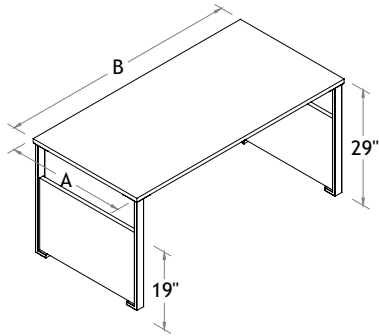
⚡ Electrical Accessories

	Connectivity	Wireless charger	Velcro Tie

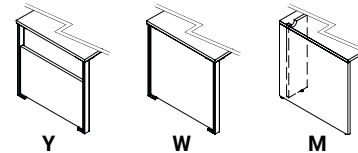
Primary Desks

Rectangular Desks

ex.: YY



Leg Choices



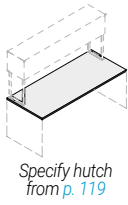
Manufacturing Standards

- Delivered disassembled;
- Support bar;
- Vertical wood grain on base;
- Height: 29";
- **Y**: chrome-finish metal legs with 1" laminate partial insert;
- **W**: chrome-finish metal legs with 1" laminate full insert;
- **M**: half leg on 1" laminate leg base.

See [Appendix A](#) for the metal finishes available (no extra charge).

Options

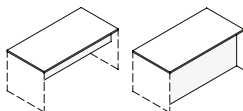
Drill holes for Hutch



Specify hutch from p. 119

\$0

Modesty 3" Recessed

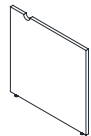


WAVC option not available with PM or FM modesty panels

\$176

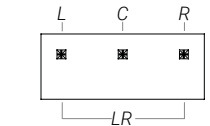
\$176

Leg Grommet



MGR

\$0



Grommet/Connectivity

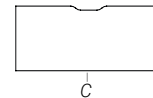


\$26 ea.

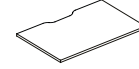
\$401

\$401

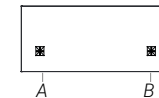
\$401



Cutout for wires



\$26 ea.



Wireless Charger



\$624

How to Order

LV	AB	Y W M	Y W M	P	WH BL SN CHR (std)	GRL GRC GRR GLR NGR (std)	PM FM	MGR L MGR R MG LR	WAVC NWAV (std)	MH3B MH3C MH3D	C L R LR	QIBLA QIBLB
series	dimensions	left leg	right leg	hutch (Appx. H)	metal finish (Appx. A)	grommet position	modesty (Appx. D)	leg grommet	cutout (Appx. B)	connectivity+position (Appx. B)	Qi (Appx. B)	
Example LV	3060	Y	Y	P	CHR	GRL	PM		NWAV	MH3BR	QIBLA	

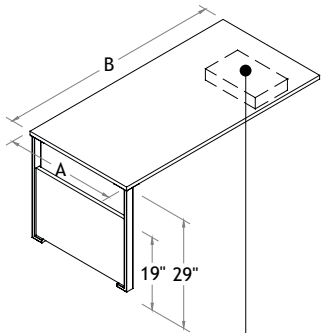
Prices

Dimensions	YY	YM MY	WW	WM MW	MM
2460	1051	987	1051	987	581
2466	1106	1040	1106	1040	590
2472	1117	1052	1117	1052	602
2478	1138	1073	1138	1073	614
3060	1103	1033	1103	1033	617
3066	1158	1090	1158	1090	627
3072	1172	1108	1172	1108	638
3078	1195	1128	1195	1128	654
3660	1152	1084	1152	1084	652
3666	1211	1145	1211	1145	665
3672	1230	1160	1230	1160	679
3678	1253	1187	1253	1187	693

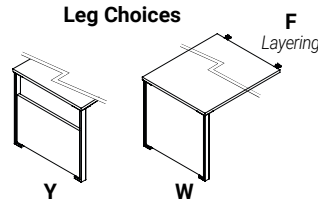
Primary Desks

Layering Desks

ex.: YF



Choice of four supports:
B1, B3, PG and DR
(see Appendix G)



Manufacturing Standards

- Delivered disassembled;
- Chrome-finish metal legs with 1" laminate partial (Y) or full (W) insert;
- Support bar;
- Vertical wood grain on base;
- Height: 29";
- **Y**: chrome-finish metal legs with 1" laminate partial insert;
- **W**: chrome-finish metal legs with 1" laminate full insert.

See Appendix A for the metal finishes available (no extra charge).

Options

Drill holes for Hutch

Specify hutch starting on p. 119

Cutout for Hutch

Modesty
3" Recessed

WAVC option not available with PM or FM modesty panels

\$176 \$176

Grommet/Connectivity

\$26 ea. \$401 \$401 \$401

Wireless Charger

\$624

Cutout for wires

\$26 ea.

Prices

Dimensions	
A	B
2460	968
2466	1026
2472	1051
2478	1077
2484	1088
3060	1014
3066	1072
3072	1098
3078	1128
3084	1142
3660	1056
3666	1117
3672	1149
3678	1180
3684	1195

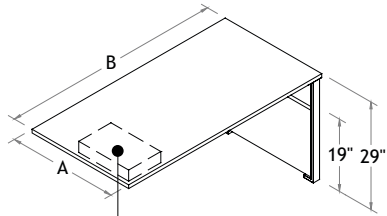
How to Order

	AB	Y W	F	E P	WH BL SN CHR (std)	B1 B3 PG DR	GRL GRC GRR GLR NGR (std)	PM FM	WAVC NWAV (std)	MH3B MH3C MH3D	L R L/C LR	QIBLA
	series	dimensions	leg on left	leg on right	hutch (Appx. H)	metal finish (Appx. A)	support (Appx. G)	grommet position	modesty (Appx. D)	cutout (Appx. B)	connectivity+position (Appx. B)	Qi (Appx. B)
Example	LV	3060	Y	F	P	CHR	DR	GRL	PM	NWAV	MH3BR	QIBLA

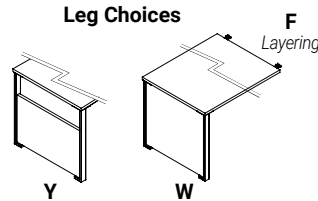
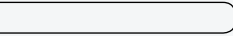
Primary Desks

Layering Desks

ex.: FY



Choice of four supports:
B1, B3, PG and DR
(see Appendix G)



Manufacturing Standards

- Delivered disassembled;
- Chrome-finish metal legs with 1" laminate partial (Y) or full (W) insert;
- Support bar;
- Vertical wood grain on base;
- Height: 29";
- **Y**: chrome-finish metal legs with 1" laminate partial insert;
- **W**: chrome-finish metal legs with 1" laminate full insert.

See Appendix A for the metal finishes available (no extra charge).

Options

Drill holes for Hutch

Specify hutch starting on p. 119

Cutout for Hutch

Modesty
3" Recessed

WAVC option not available with PM or FM modesty panels

\$176 \$176

Grommet/Connectivity

\$26 ea. \$401 \$401 \$401

Wireless Charger

\$624

Cutout for wires

\$26 ea.

Prices

Dimensions	
A	B
2460	968
2466	1026
2472	1051
2478	1077
2484	1088
3060	1014
3066	1072
3072	1098
3078	1128
3084	1142
3660	1056
3666	1117
3672	1149
3678	1180
3684	1195

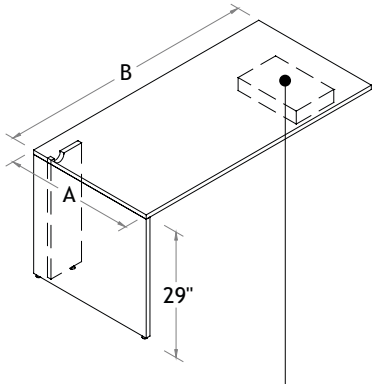
How to Order

	AB	F	Y W	E P	WH BL SN CHR (std)	B1 B3 PG DR	GRL GRC GRR GLR NGR (std)	PM FM	WAVC NWAV (std)	MH3B MH3C MH3D	R/L/C L/R	QIBLB
	series	dimensions	leg on left	leg on right	hutch (Appx. H)	metal finish (Appx. A)	support (Appx. G)	grommet position	modesty (Appx. D)	cutout (Appx. B)	connectivity+position (Appx. B)	Qi (Appx. B)
Example	LV	3060	F	Y	P	CHR	DR	GRL	PM	NWAV	MH3BR	QIBLB

Primary Desks

Layering Desks

MF



Choice of four supports:
B1, B3, PG and DR
(see [Appendix G](#))

Manufacturing Standards

- Delivered disassembled;
- Half leg on 1" laminate leg base;
- Support bar;
- Vertical wood grain on base;
- Height: 29".

Options

Drill holes for Hutch <p>Specify hutch starting on p. 119</p>	Cutout for Hutch 	Modesty 3" Recessed <p>WAVC option not available with PM or FM modesty panels</p>	Leg Grommet <p>MGR \$0</p>	Grommet/Connectivity <p>\$26 ea. \$401 \$401 \$401</p>	Wireless Charger <p>\$624</p>	Cutout for wires <p>\$26 ea.</p>
---	-----------------------------	--	--	--	---	--

Prices

Dimensions	
A	B
2460	674
2466	685
2472	697
2478	709
2484	720
3060	709
3066	720
3072	736
3078	751
3084	762
3660	744
3666	757
3672	775
3678	792
3684	807

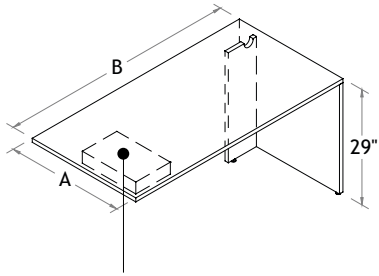
How to Order

LV	A B	MF	E P	B1 B3 PG DR	GRL GRC GRR GLR NGR (std)	PM FM	MGR L	WAVC NWAV (std)	MH3B MH3C MH3D	C L R LR	QIBLA
series	dimensions	product	hutch (Appx. H)	support (Appx. G)	grommet position	modesty (Appx. D)	leg grommet	cutout (Appx. B)	connectivity+position (Appx. B)	Qi (Appx. B)	
Example	LV	3060	MF	P	DR	GRL	PM	MGR L	NWAV	MH3BR	QIBLA

Primary Desks

Layering Desks

FM



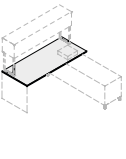
Choice of four supports:
B1, B3, PG and DR
(see [Appendix G](#))

Manufacturing Standards

- Delivered disassembled;
- Half leg on 1" laminate leg base;
- Support bar;
- Vertical wood grain on base;
- Height: 29".

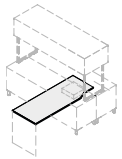
Options

Drill holes for Hutch

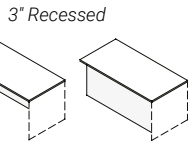


Specify hutch starting on [p. 119](#)

Cutout for Hutch



Modesty

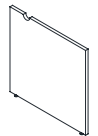


3" Recessed
WAVC option not available with PM or FM modesty panels

\$176

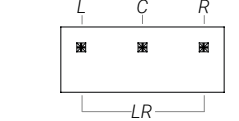
\$176

Leg Grommet



MGR

\$0



Grommet/Connectivity

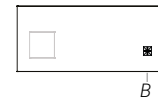


\$26 ea.

\$401

\$401

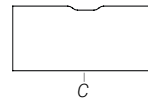
\$401



Wireless Charger



\$624



Cutout for wires



\$26 ea.

How to Order

LV	A B	FM	E P	B1 B3 PG DR	GRL GRC GRR GLR NGR (std)	PM FM	MGR B	WAVC NWAV (std)	MH3B MH3C MH3D	C L R LR	QIBLB
series	dimensions	product	hutch (Appx. H)	support (Appx. G)	grommet position	modesty (Appx. D)	leg grommet	cutout (Appx. B)	connectivity+position (Appx. B)	Qi (Appx. B)	
Example	LV	3060	FM	P	DR	GRL	PM	MGRR	NWAV	MH3BR	QIBLB

Prices

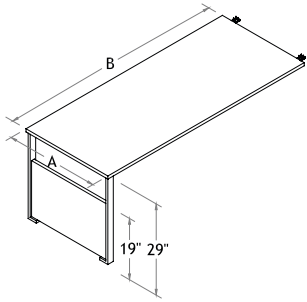
Dimensions

A	B
2460	674
2466	685
2472	697
2478	709
2484	720
3060	709
3066	720
3072	736
3078	751
3084	762
3660	744
3666	757
3672	775
3678	792
3684	807

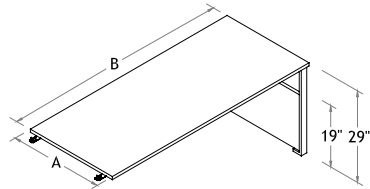
Primary Desks

Installed Desks

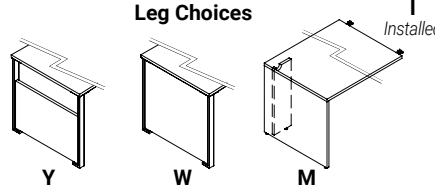
ex.: YI



ex.: IY



Leg Choices



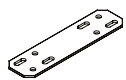
Manufacturing Standards

- Delivered disassembled;
- Support bar;
- Flush plates or mounting brackets according to specified option;
- Vertical wood grain on base;
- Height: 29";
- Y: chrome-finish metal legs with 1" laminate partial insert;
- W: chrome-finish metal legs with 1" laminate full insert;
- M: half leg on 1" laminate leg base.

See [Appendix A](#) for the metal finishes available (no extra charge).

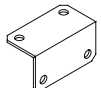
Options

Mounting Fixtures



Flush Plate

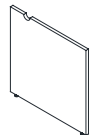
F



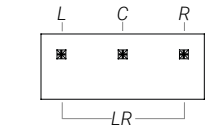
Mounting Bracket

B

Leg Grommet



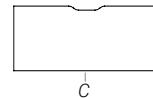
MGR



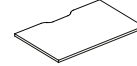
Grommet/Connectivity



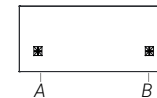
\$26 ea. \$401 \$401 \$401



Cutout for wires



\$26 ea.



Wireless Charger



\$624

Prices

Dimensions	YI	WI	MI
A B	IY	IW	IM
2460	749	749	531
2466	761	761	547
2472	774	774	559
3060	784	784	568
3066	798	798	581
3072	814	814	596

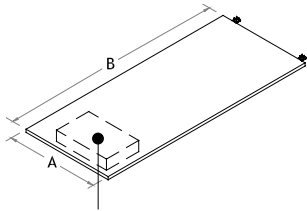
How to Order

LV	AB	Y W M I	Y W M I	F B	WH BL SN CHR (std)	GRL GRC GRR GLR NGR (std)	MGR L MGR R	WAVC NWAV (std)	MH3B MH3C MH3D	C L R LR	QIBLA QIBLB
series	dimensions	leg on left	leg on right	mounting fixture	metal finish (Appx. A)	grommet position	leg grommet	cutout (Appx. B)	connectivity+position (Appx. B)	Qi (Appx. B)	
Example	LV 3060	Y	I	F	CHR	GRL		NWAV	MH3BR	QIBLB	

Primary Desks

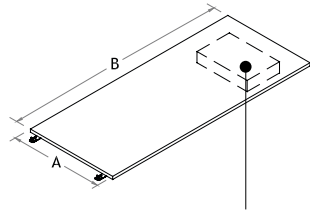
Layering Installed Desks

FI



Choice of four supports:
B1, B3, PG and DR
(see [Appendix G](#))

IF



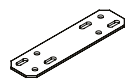
Choice of four supports:
B1, B3, PG and DR
(see [Appendix G](#))

Manufacturing Standards

- Delivered disassembled;
- Support bar;
- Mounting plates and screws.

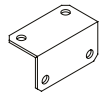
Options

Mounting Fixtures



Flush Plate

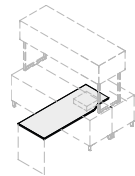
F



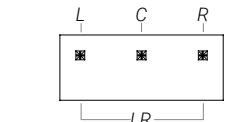
Mounting Bracket

B

Cutout for Shared Hutch



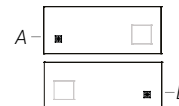
Specify hutch starting on [p. 119](#)



Grommet/Connectivity



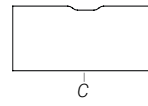
\$26 ea. \$401 \$401 \$401



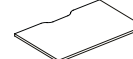
Wireless Charger



\$624



Cutout for wires



\$26 ea.

Prices

Dimensions

A	B
2460	599
2466	614
2472	630
3060	631
3066	647
3072	667

How to Order

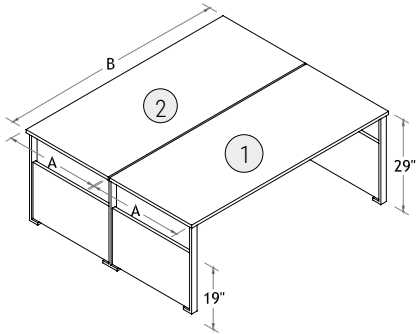
LV	AB	FI IF	F B	E	B1 B3 PG DR	GRL GRC GRG GLR NGR (std)	WAVC NWAV (std)	MH3B MH3C MH3D	C L R LR	QIBLA QIBLB
series	dimensions	product	mounting fixture	hutch (Appx. H)	support (Appx. G)	grommet position	cutout (Appx. B)	connectivity+position (Appx. B)	Qi (Appx. B)	

Example LV 3060 FI F E DR GRL NWAV MH3BR QIBLB

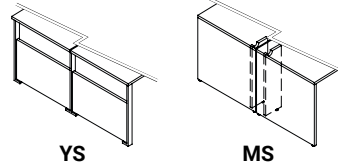
Primary Desks

Double Rectangular Desks

ex.: YSYS-YSYS



Leg Choices



Manufacturing Standards

- Delivered disassembled;
- Support bar;
- Fixed clearance of 1/2" between the two work surfaces to pass cables;
- Vertical wood grain on base;
- Height: 29".
- **YS**: chrome-finish metal legs with 1" laminate partial insert;
- **MS**: half leg on 1" laminate shared leg base.

See [Appendix A](#) for the metal finishes available (no extra charge).

Options

Drill holes for Shared Hutch

Specify hutch starting on [p. 119](#)

Leg Grommet

MGR
\$0

Grommet/Connectivity

\$26 ea. \$401 \$401 \$401

Cutout for wires

\$26 ea.

Wireless Charger

\$624

Prices

Price per individual desk

Dimensions	YSYS	YSMS	MSMS
A B	YSYS	MSYS	MSMS
2460	919	776	581
2466	928	788	590
2472	941	799	602
3060	960	818	617
3066	972	831	627
3072	988	843	638

Price per double desk

Dimensions	YSYS	YSMS	MSMS
A B	YSYS	MSYS	MSMS
2460	1838	1552	1162
2466	1856	1576	1180
2472	1882	1598	1204
3060	1920	1636	1234
3066	1944	1662	1254
3072	1976	1686	1276

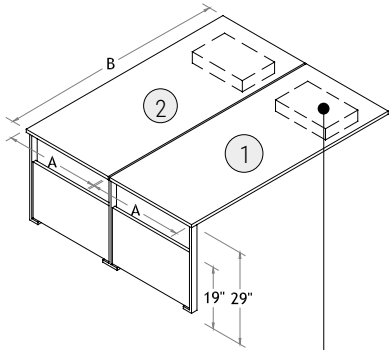
How to Order

	A B	YS MS	YS MS	P	WH BL SN CHR (std)	GRL GRC GRR GLR NGR (std)	MGR L MGR R MGR LR	WAVC NWAV (std)	MH3B MH3C MH3D	C L R LR	QIBLA QIBLB
1 LV											
2 LV											
	series dimensions	left leg	right leg	hutch (Appx. H)	metal finish (Appx. A)	grommet position	leg grommet	cutout (Appx. B)	connectivity+position (Appx. B)	Qi (Appx. B)	
Example 1 LV	3060	YS	YS	P	CHR	GRL		NWAV	MH3BR	QIBLA	
Example 2 LV	3060	YS	YS	P	CHR	GRR		NWAV	MH3BL	QIBLB	

Primary Desks

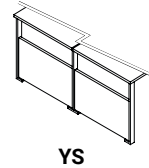
Double Layering Desks

ex.: YSF-FYS



Choice of four supports:
B1, B3, PG and DR
(see Appendix G)

Leg Choices



Manufacturing Standards

- Delivered disassembled;
- Support bar;
- Chrome-finish metal legs with 1" laminate partial (Y) or full (W) insert;
- Fixed clearance of 1/2" between the two work surfaces to pass cables;
- Vertical wood grain on base;
- Height: 29";
- YS:** chrome-finish metal legs with 1" laminate partial insert;

See Appendix A for the metal finishes available (no extra charge).

Options

Drill holes for Shared Hutch

Cutout for Shared Hutch

Grommet/Connectivity

\$26 ea. \$401 \$401 \$401

Wireless Charger

\$624

Cutout for wires

\$26 ea.

Specify hutch starting on p. 119

Prices

Price per individual desk	
Dimensions A B	Support (see Appendix G for further details)
2460	818
2466	827
2472	840
3060	855
3066	865
3072	881

Price per double desk	
Dimensions A B	Support (see Appendix G for further details)
2460	1636
2466	1654
2472	1680
3060	1710
3066	1730
3072	1762

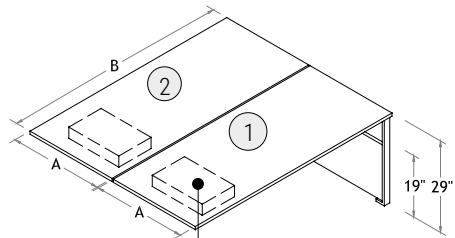
How to Order

	A B	YS F	YS F	E P	WH BL SN CHR (std)	B1 B3 PG DR	GRL GRC GRR GLR NGR (std)	WAVC NWAV (std)	MH3B MH3C MH3D	C L R LR	QIBLA QIBLB
1 LV											
2 LV											
	series	dimensions	leg on left	leg on right	hutch (Appx. H)	metal finish (Appx. A)	support (Appx. G)	grommet position	cutout (Appx. B)	connectivity+position (Appx. B)	Qi (Appx. B)
Example 1 LV		3060	YS	F	E	CHR	DR	GRL	NWAV	MH3BR	QIBLA
Example 2 LV		3060	F	YS	E	CHR	DR	GRR	NWAV	MH3BL	QIBLB

Primary Desks

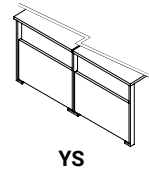
Double Layering Desks

ex.: FYS-YSF



Choice of four supports: B1, B3, PG and DR (see Appendix G)

Leg Choices

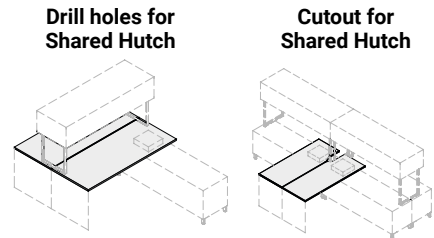


Manufacturing Standards

- Delivered disassembled;
- Support bar;
- Chrome-finish metal legs with 1" laminate partial (Y) or full (W) insert;
- Fixed clearance of 1/2" between the two work surfaces to pass cables;
- Vertical wood grain on base;
- Height: 29";
- **YS:** chrome-finish metal legs with 1" laminate partial insert;

See Appendix A for the metal finishes available (no extra charge).

Options



Specify hutch starting on p. 119

Grommet/Connectivity

\$26 ea. \$401 \$401 \$401

Wireless Charger

\$624

Cutout for wires

\$26 ea.

Prices

Price per individual desk

Dimensions A B	Support (see Appendix G for further details)
2460	818
2466	827
2472	840
3060	855
3066	865
3072	881

Price per double desk

Dimensions A B	Support (see Appendix G for further details)
2460	1636
2466	1654
2472	1680
3060	1710
3066	1730
3072	1762

How to Order

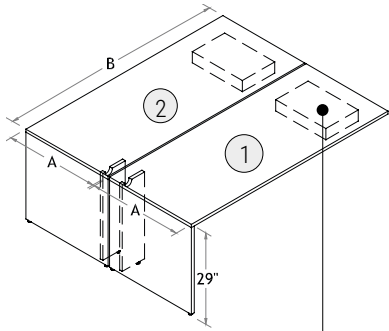
	A B	YS F	YS F	E P	WH BL SN CHR (std)	B1 B3 PG DR	GRL GRC GRR GLR NGR (std)	WAVC NWAV (std)	MH3B MH3C MH3D	C L R LR	QIBLA QIBLB
1 LV											
2 LV											
	series	dimensions	leg on left	leg on right	hutch (Appx. H)	metal finish (Appx. A)	support (Appx. G)	grommet position	cutout (Appx. B)	connectivity+position (Appx. B)	Qi (Appx. B)
Example 1 LV		3060	YS	F	E	CHR	DR	GRL	NWAV	MH3BR	QIBLB
Example 2 LV		3060	F	YS	E	CHR	DR	GRR	NWAV	MH3BL	QIBLA

Primary Desks



Double Layering Desks

MSF-FMS



Choice of four supports:
B1, B3, PG and DR
(see [Appendix G](#))

Manufacturing Standards

- Delivered disassembled;
- Support bar;
- Half leg on 1" laminate leg base;
- Fixed clearance of 1/2" between the two work surfaces to pass cables;
- Vertical wood grain on base;
- Height: 29".

Options

Drill holes for Shared Hutch

Specify hutch starting on [p. 119](#)

Cutout for Shared Hutch

Leg Grommet

MGR
\$0

Grommet/Connectivity

\$26 ea. \$401 \$401 \$401

Wireless Charger

\$624

Cutout for wires

\$26 ea.

Prices

Price per individual desk

Dimensions A B	Support (see Appendix G for further details)
2460	674
2466	685
2472	697
3060	709
3066	720
3072	736

Price per double desk

Dimensions A B	Support (see Appendix G for further details)
2460	1348
2466	1370
2472	1394
3060	1418
3066	1440
3072	1472

How to Order

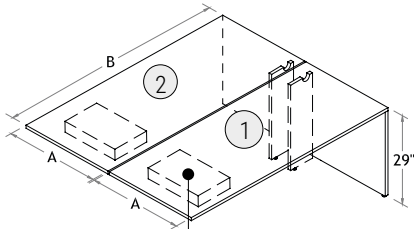
	A B	F MS	F MS	E P	B1 B3 PG DR	GRL GRC GRR GLR NGR (std)	MGR L MGR R	WAVC NWAV (std)	MH3B MH3C MH3D	C L R LR	QIBLA QIBLB
1 LV											
2 LV											
	series	dimensions	leg on left	leg on right	hutch (Appx. H)	support (Appx. G)	grommet position	leg grommet	cutout (Appx. B)	connectivity+position (Appx. B)	Qi (Appx. B)
Example 1 LV	3060	MS	F	E	DR	GRL	MGRL	NWAV	MH3BR	QIBLA	
Example 2 LV	3060	F	MS	E	DR	GRR	MGRR	NWAV	MH3BL	QIBLB	

Primary Desks



Double Layering Desks

FMS-MSF



Choice of four supports:
B1, B3, PG and DR
(see Appendix G)

Manufacturing Standards

- Delivered disassembled;
- Support bar;
- Half leg on 1" laminate leg base;
- Fixed clearance of 1/2" between the two work surfaces to pass cables;
- Vertical wood grain on base;
- Height: 29".

Options

Drill holes for Shared Hutch

Cutout for Shared Hutch

Leg Grommet

MGR
\$0

Grommet/Connectivity

\$26 ea. \$401 \$401 \$401

Wireless Charger

\$624

Cutout for wires

\$26 ea.

Specify hutch starting on p. 119

Prices

Price per individual desk

Dimensions A B	Support (see Appendix G for further details)
2460	674
2466	685
2472	697
3060	709
3066	720
3072	736

Price per double desk

Dimensions A B	Support (see Appendix G for further details)
2460	1348
2466	1370
2472	1394
3060	1418
3066	1440
3072	1472

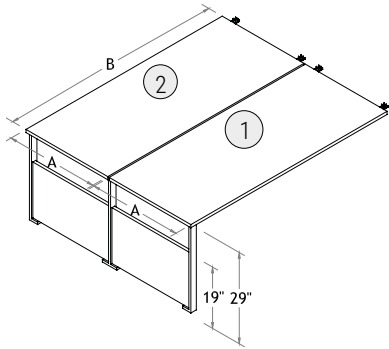
How to Order

	A B	F MS	F MS	E P	B1 B3 PG DR	GRL GRC GRR GLR NGR (std)	MGR L MGR R	WAVC NWAV (std)	MH3B MH3C MH3D	C L R LR	QIBLA QIBLB
1 LV											
2 LV											
	series	dimensions	leg on left	leg on right	hutch (Appx. H)	support (Appx. G)	grommet position	leg grommet	cutout (Appx. B)	connectivity+position (Appx. B)	Qi (Appx. B)
Example 1 LV	3060	F	MS	E	DR	GRL	MGRL	NWAV	MH3BR	QIBLB	
Example 2 LV	3060	MS	F	E	DR	GRR	MGRR	NWAV	MH3BL	QIBLA	

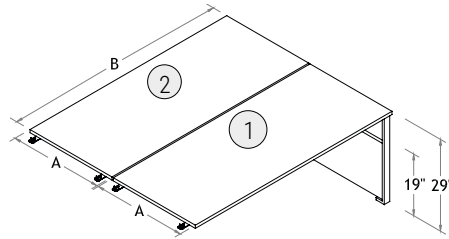
Primary Desks

Double Installed Desks

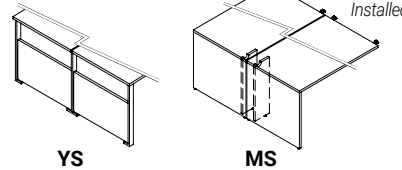
ex.: YSI-IYS



ex.: IYS-YSI



Leg Choices



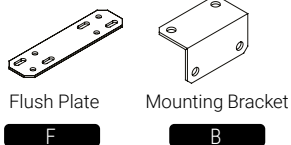
Manufacturing Standards

- Delivered disassembled;
- Support bar;
- Flush plates or mounting brackets according to specified option;
- Fixed clearance of 1/2" between the two work surfaces to pass cables;
- Vertical wood grain on base;
- Height: 29";
- **YS**: chrome-finish metal legs with 1" laminate partial insert;
- **MS**: half leg on 1" laminate shared leg base.

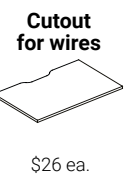
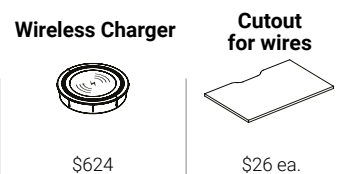
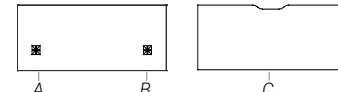
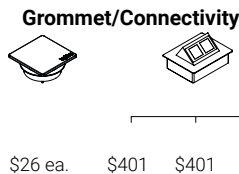
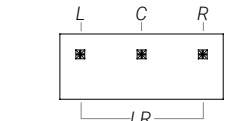
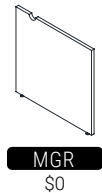
See [Appendix A](#) for the metal finishes available (no extra charge).

Options

Mounting Fixtures



Leg Grommet



Prices

Price per individual desk			
Dimensions	YSI	MSI	
A B	IYS	IMS	
2460	617	531	
2466	629	547	
2472	639	559	
3060	649	568	
3066	660	581	
3072	676	596	

Price per double desk			
Dimensions	YSI	MSI	
A B	IYS	IMS	
2460	1234	1062	
2466	1258	1094	
2472	1278	1118	
3060	1298	1136	
3066	1320	1162	
3072	1352	1192	

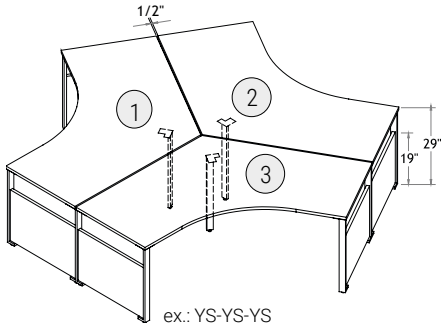
How to Order

	A B	YS MS I	YS MS I	F B	WH BL SN CHR (std)	GRL GRC GRR GLR NGR (std)	MGR L MGR R	WAVC NWAV (std)	MH3B MH3C MH3D	C L R LR	QIBLA QIBLB
1 LV											
2 LV											
	series	dimensions	leg on left	leg on right	mounting fixture	metal finish (Appx. A)	grommet position	leg grommet	cutout (Appx. B)	connectivity+position (Appx. B)	Qi (Appx. B)
Example 1 LV	LV	3060	YS	I	F	CHR	GRL		NWAV	MH3BR	QIBLA
Example 2 LV	LV	3060	I	YS	F	CHR	GRR		NWAV	MH3BL	QIBLB

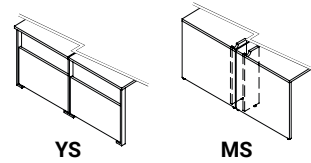
Primary Desks

Triple 120 Degree Desks

120DT

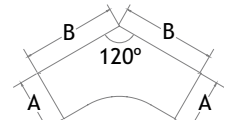


Shared Leg Choices



Manufacturing Standards

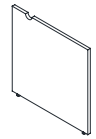
- Delivered disassembled;
- Support bar;
- Fixed clearance of 1/2" between the two work surfaces to pass cables;
- Central support leg;
- Vertical wood grain on base;
- Height: 29";
- YS: chrome-finish metal legs with 1" laminate partial insert;
- MS: half leg on 1" laminate leg base.



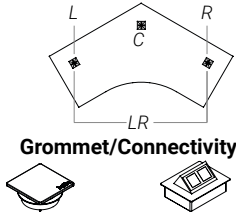
See [Appendix A](#) for the metal finishes available (no extra charge).

Options

Leg Grommet (MS legs)



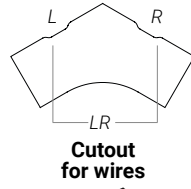
MGR \$0



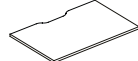
Grommet/Connectivity



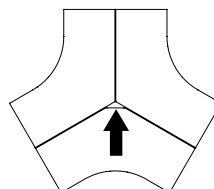
\$26 ea. \$401 \$401 \$401



Cutout for wires

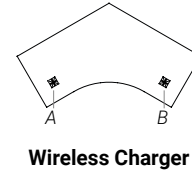


\$26 ea.



Column Cutout

CC \$26



Wireless Charger



\$624

Prices

Price per individual desk

Dimensions		YS-YS	MS-MS	YS-MS	MS-YS
A	B				
2442	1473	1041	1257	1257	
2448	1498	1068	1283	1283	
2454	1524	1093	1310	1310	
2460	1552	1121	1337	1337	
3042	1621	1193	1407	1407	
3048	1649	1218	1435	1435	
3054	1675	1246	1458	1458	
3060	1700	1273	1486	1486	

Price per triple desk

Dimensions		YS-YS-YS	MS-MS-MS	YS-YS-MS	MS-MS-YS
A	B				
2442	4419	3123	3987	3555	
2448	4494	3204	4064	3634	
2454	4572	3279	4141	3713	
2460	4656	3363	4225	3795	
3042	4863	3579	4435	4007	
3048	4947	3654	4516	4088	
3054	5025	3738	4596	4162	
3060	5100	3819	4673	4245	

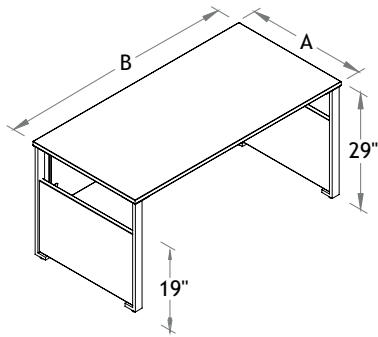
How to Order

	A	B	YS MS	YS MS	WH BL SN	GRL GRC GRR GLR	MGR L MGR R MG LR	WAVL WAVR WALR	CC	MH3B MH3C MH3D	C L R LR	QIBLA QIBLB
					CHR (std)	NGR (std)		NWAV (std)	NC (std)			
1	LV	120DT										
2	LV	120DT										
3	LV	120DT										
	series	dimensions	code	left leg	right leg	metal finish (Appx. A)	grommet position	leg grommet	cutout (Appx. B)	column cutout	connectivity+position (Appx. B)	Qi (Appx. B)
Example	1	LV	3060	120DT	YS	YS	CHR	GRL	NWAV	NC	MH3BR	QIBLA
	2	LV	3060	120DT	YS	YS	CHR	GRR	NWAV		MH3BL	QIBLB
	3	LV	3060	120DT	YS	YS	CHR	GRR	NWAV		MH3BL	QIBLB

Benching workstation

Shared Benching Workstation - 1-sided - 1 person

SB1Y



Manufacturing Standards

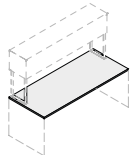
- Delivered disassembled;
- Workstation with 1 rectangular surface;
- Support bar;
- Modesty panel 15"H;
- Chrome finish metal legs with 19"H partial insert in 1" thick laminate;
- Vertical woodgrain on base;
- Height: 29".

Metal finish: If the metal finish is not specified, the standard is chrome (CHR).

Screens: For more privacy, screens can be added between and to the sides of worksurfaces, [p.136](#).

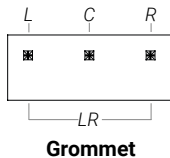
Options

Drill holes for Shared Hutch



Specify hutch starting on [p. 119](#)

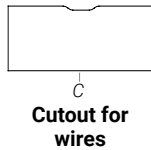
0\$



Grommet



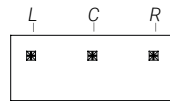
\$26 ea.



Cutout for wires



\$26 ea.



Connectivity



Prices

Dimensions	
A	B
2448	1119
2454	1131
2460	1146
2466	1198
2472	1210
3048	1170
3054	1183
3060	1195
3066	1251
3072	1266

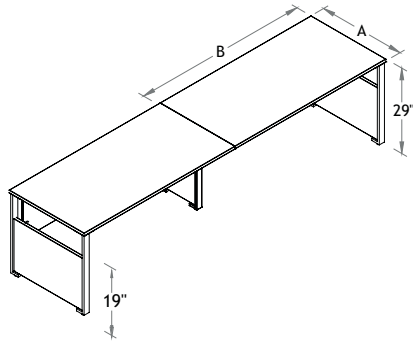
How to Order

LV	A B	SB1Y	WH BL SN CHR (std)	P	GRL GRC GRR GLR NGR (std)	WAVC NWAV (std)	MH3B MH3C MH3D	C L R
series	dimensions	code	metal finish (Appx. A)	hutch (Appx. H)	grommet position	cutout (Appx. B)	connectivity+position (Appx. B)	
Example	LV 2460	SB1Y	CHR	P	NGR	NWAV	MH3BR	

Benching workstation

Shared Benching Workstation - 1-sided - 2 persons

SB2Y



Manufacturing Standards

- Delivered disassembled;
- Workstation with 2 rectangular surfaces;
- Support bar;
- Modesty panel 15"H;
- Chrome finish metal legs with 19"H partial insert in 1" thick laminate;
- Recessed middle leg:
- 24" desk = in recess of 14-1/8";
- 30" desk = in recess of 10-3/4";
- Vertical w/odgrain on base;
- Height: 29".

Overall dimensions: Width = ('B' x 2).

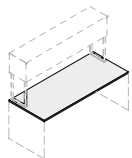
Metal finish: If the metal finish is not specified, the standard is chrome (CHR).

Note: The options chosen for one worksurface will apply to all worksurfaces.

Screens: For more privacy, screens can be added between and to the sides of worksurfaces, [p.136](#).

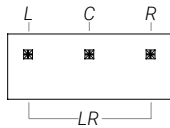
Options

Drill holes for Hutch



Specify hutch starting on [p. 119](#)

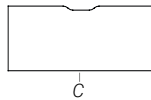
0\$



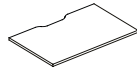
Grommet



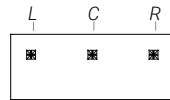
\$26 ea.



Cutout for wires



\$26 ea.



Connectivity



Prices

Dimensions

A B

2448	1936
2454	1961
2460	1987
2466	2052
2472	2077

3048	2022
3054	2048
3060	2072
3066	2142
3072	2174

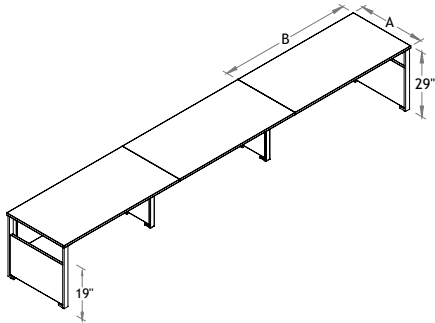
How to Order

LV	A B	SB2Y	WH BL SN CHR (std)	P	GRL GRC GRR GLR NGR (std)	WAVC NWAV (std)	MH3B MH3C MH3D	C L R
series	dimensions	code	metal finish (Appx. A)	hutch (Appx. H)	grommet position	cutout (Appx. B)	connectivity+position (Appx. B)	
Example LV	2460	SB2Y	CHR	P	NGR	NWAV	MH3BR	

Benching workstation

Shared Benching Workstation - 1-sided - 3 persons

SB3Y



Manufacturing Standards

- Delivered disassembled
- Workstation with 3 rectangular surfaces;
- Support bars;
- Modesty panel 15"H;
- Chrome finish metal legs with 19"H partial insert in 1" thick laminate;
- Recessed middle legs:
 - 24" desk = in recess of 14-1/8";
 - 30" desk = in recess of 10-3/4";
- Vertical woodgrain on base;
- Height: 29".

Overall dimensions: Width = (B' x 3).

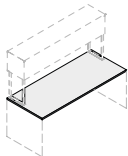
Metal finish: If the metal finish is not specified, the standard is chrome (CHR)..

Note: The options chosen for one worksurface will apply to all worksurfaces.

Screens: For more privacy, screens can be added between and to the sides of worksurfaces, [p.136](#).

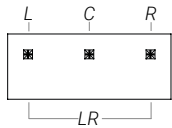
Options

Drill holes for Hutch



Specify hutch starting on [p. 119](#)

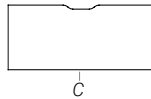
0\$



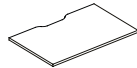
Grommet



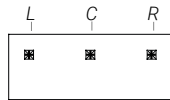
\$26 ea.



Cutout for wires



\$26 ea.



Connectivity



Prices

Dimensions	
A	B
2448	2754
2454	2792
2460	2827
2466	2905
2472	2942
3048	2875
3054	2911
3060	2947
3066	3035
3072	3079

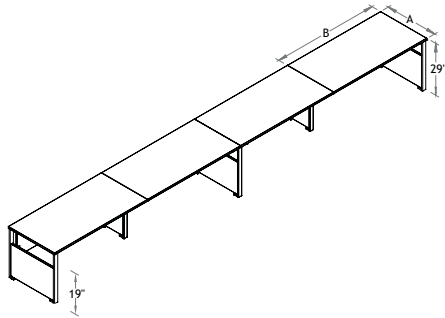
How to Order

LV	A B	SB3Y	WH BL SN CHR (std)	P	GRL GRC GRR GLR NGR (std)	WAVC NWAV (std)	MH3B MH3C MH3D	C L R
series	dimensions	code	métal finish (Appx. A)	hutch (Appx. H)	grommet position	cutout (Appx. B)	connectivity+position (Appx. B)	
Example	LV 2460	SB3Y	CHR	P	NGR	NWAV	MH3BR	

Benching workstation

Shared Benching Workstation - 1-sided - 4 persons

SB4Y



Manufacturing Standards

- Delivered disassembled
- Workstation with 4 rectangular surfaces;
- Support bars;
- Modesty panel 15"H;
- Chrome finish metal legs with 19"H partial insert in 1" thick laminate;
- Recessed middle legs:
- 24" desk = in recess of 14-1/8";
- 30" desk = in recess of 10-3/4";
- Vertical woodgrain on base;
- Height: 29".

Overall dimensions: Width = (B' x 4).

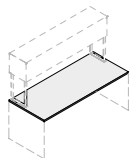
Metal finish: If the metal finish is not specified, the standard is chrome (CHR)..

Note: The options chosen for one worksurface will apply to all worksurfaces.

Screens: For more privacy, screens can be added between and to the sides of worksurfaces, [p.136](#).

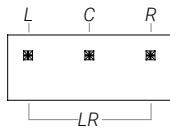
Options

Drill holes for Hutch



Specify hutch starting on [p. 119](#)

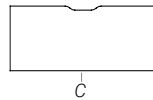
0\$



Grommet



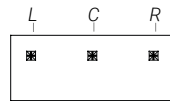
\$26 ea.



Cutout for wires



\$26 ea.



Connectivity



Prices

Dimensions

Dimensions	
A	B
2448	3570
2454	3620
2460	3669
2466	3761
2472	3810
3048	3725
3054	3775
3060	3824
3066	3926
3072	3985

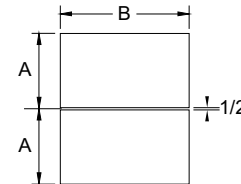
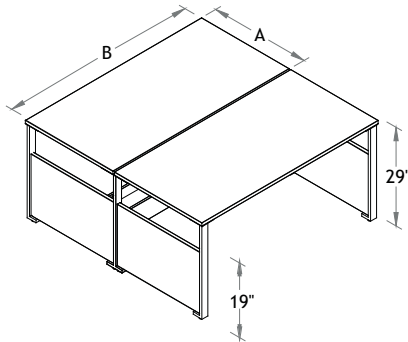
How to Order

LV	A B	SB4Y	WH BL SN CHR (std)	P	GRL GRC GRR GLR NGR (std)	WAVC NWAV (std)	MH3B MH3C MH3D	C L R
series	dimensions	code	metal finish (Appx. A)	hutch (Appx. H)	grommet position	cutout (Appx. B)	connectivity+position (Appx. B)	
Example LV	2460	SB4Y	CHR	P	NGR	NWAV	MH3BR	

Benching workstation

Shared Benching Workstation - 2-sided - 2 persons

DB2Y



Manufacturing Standards

- Delivered disassembled
- Workstation with 2 rectangular surfaces;
- Support bars;
- Fixed clearance of 1/2" between the two work surfaces;
- Transverse structure in laminate;
- Chrome finish metal legs with 19"H partial insert in 1" thick laminate;
- Vertical woodgrain on base;
- Height: 29".

Overall dimensions: Depth = (A' x 2).

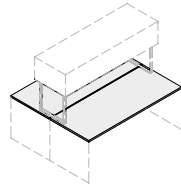
Metal finish: If the metal finish is not specified, the standard is chrome (CHR)..

Note: The options chosen for one worksurface will apply to all worksurfaces.

Screens: For more privacy, screens can be added between and to the sides of worksurfaces, [p.136](#).

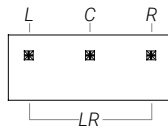
Options

Drill holes for hutch



Specify hutch starting on [p. 119](#)

0\$



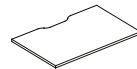
Grommet



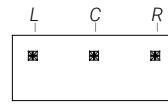
\$26 ea.



Cutout for wires



\$26 ea.



Connectivity



Prices

Dimensions	
A	B
2448	1882
2454	1905
2460	1931
2466	1950
2472	1975
3048	1962
3054	1988
3060	2012
3066	2037
3072	2067

How to Order

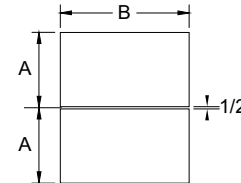
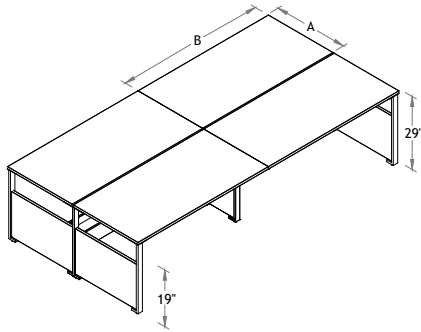
LV	A B	DB2Y	WH BL SN CHR (std)	P	GRL GRC GRR GLR NGR (std)	WAVC NWAV (std)	MH3B MH3C MH3D	C L R
series	dimensions	code	metal finish (Appx. A)	hutch (Appx. H)	grommet position	cutout (Appx. B)	connectivity+position (Appx. B)	

Example LV 2460 DB2Y CHR P NGR NWAV MH3BR

Benching workstation

Shared Benching Workstation - 2-sided - 4 persons

DB4Y



Manufacturing Standards

- Delivered disassembled
- Workstation with 4 rectangular surfaces;
- Support bars;
- Fixed clearance of 1/2" between the two work surfaces;
- Transverse structure in laminate;
- Chrome finish metal legs with 19"H partial insert in 1" thick laminate;
- Recessed middle legs;
- Vertical woodgrain on base;
- Height: 29".

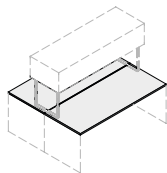
Depth = (A' x 2). Width = (B' x 2). If the metal finish is not specified, the standard is chrome (CHR)..

The options chosen for one worksurface will apply to all worksurfaces.

For more privacy, screens can be added between and to the sides of worksurfaces, p. <CM>216

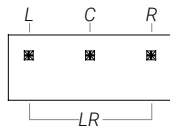
Options

Drill holes for hutch



Specify hutch starting on p. 119

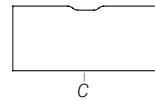
0\$



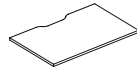
Grommet



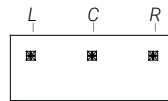
\$26 ea.



Cutout for wires



\$26 ea.



Connectivity



Prices

Dimensions	
A	B
2448	3158
2454	3210
2460	3258
2466	3300
2472	3347
3048	3305
3054	3355
3060	3404
3066	3452
3072	3511

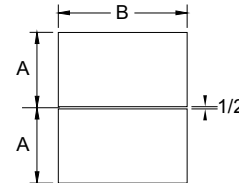
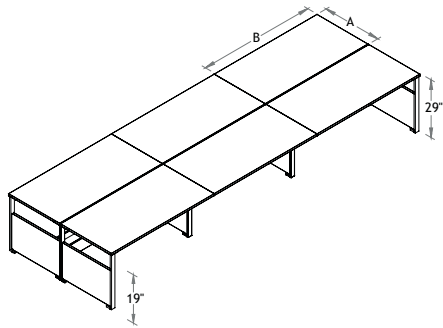
How to Order

LV	A B	DB4Y	WH BL SN CHR (std)	P	GRL GRC GRR GLR NGR (std)	WAVC NWAV (std)	MH3B MH3C MH3D	C L R
series	dimensions	code	metal finish (Appx. A)	hutch (Appx. H)	grommet position	cutout (Appx. B)	connectivity+position (Appx. B)	
Example LV	2460	DB4Y	CHR	P	NGR	NWAV	MH3BR	

Benching workstation

Shared Benching Workstation - 2-sided - 6 persons

DB6Y



Manufacturing Standards

- Delivered disassembled
- Workstation with 6 rectangular surfaces;
- Support bars;
- Fixed clearance of 1/2" between the two work surfaces;
- Transverse structure in laminate;
- Chrome finish metal legs with 19"H partial insert in 1" thick laminate;
- Recessed middle legs;
- Vertical woodgrain on base;
- Height: 29".

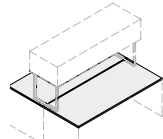
Depth = (A' x 3). Width = (B' x 3) If the metal finish is not specified, the standard is chrome (CHR)..

The options chosen for one worksurface will apply to all worksurfaces.

For more privacy, screens can be added between and to the sides of worksurfaces, p. <CM>216

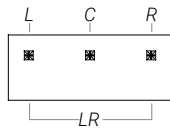
Options

Drill holes for hutch



Specify hutch starting on p. 119

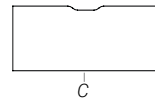
0\$



Grommet



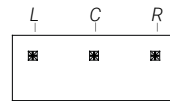
\$26 ea.



Cutout for wires



\$26 ea.



Connectivity



Prices

Dimensions	
A	B
2448	4437
2454	4512
2460	4585
2466	4652
2472	4720
3048	4648
3054	4722
3060	4797
3066	4867
3072	4956

How to Order

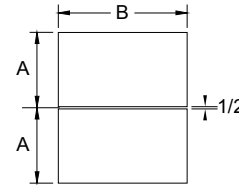
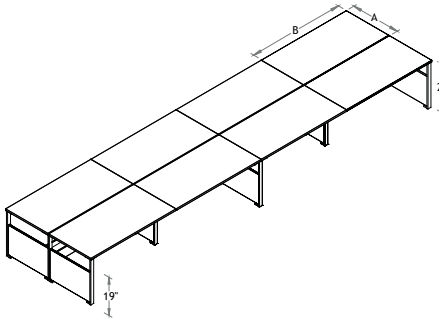
LV	A B	DB6Y	WH BL SN CHR (std)	P	GRL GRC GRR GLR NGR (std)	WAVC NWAV (std)	MH3B MH3C MH3D	C L R
series	dimensions	code	metal finish (Appx. A)	hutch (Appx. H)	grommet position	cutout (Appx. B)	connectivity+position (Appx. B)	

Example LV 2460 DB6Y CHR P NGR NWAV MH3BR

Benching workstation

Shared Benching Workstation - 2-sided - 8 persons

DB8Y



Manufacturing Standards

- Delivered disassembled
- Workstation with 8 rectangular surfaces;
- Support bars;
- Fixed clearance of 1/2" between the two work surfaces;
- Transverse structure in laminate;
- Chrome finish metal legs with 19"H partial insert in 1" thick laminate;
- Recessed middle legs;
- Vertical woodgrain on base;
- Height: 29".

Overall dimensions: Depth = (A' x 4). Width = (B' x 4)

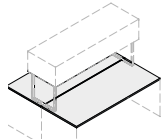
Metal finish: If the metal finish is not specified, the standard is chrome (CHR)..

Note: The options chosen for one worksurface will apply to all worksurfaces.

Screens: For more privacy, screens can be added between and to the sides of worksurfaces, [p.136](#).

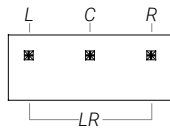
Options

Drill holes for hutch



Specify hutch starting on [p. 119](#)

0\$



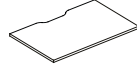
Grommet



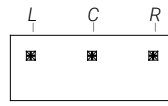
\$26 ea.



Cutout for wires



\$26 ea.



Connectivity



Prices

Dimensions	
A	B
2448	5714
2454	5816
2460	5914
2466	6001
2472	6092
3048	5991
3054	6090
3060	6190
3066	6282
3072	6401

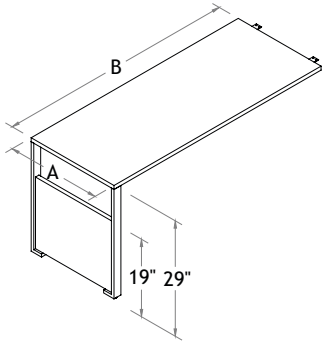
How to Order

LV	A B	DB8Y	WH BL SN CHR (std)	P	GRL GRC GRR GLR NGR (std)	WAVC NWAV (std)	MH3B MH3C MH3D	C L R
series	dimensions	code	metal finish (Appx. A)	hutch (Appx. H)	grommet position	cutout (Appx. B)	connectivity+position (Appx. B)	
Example LV	2460	DB8Y	CHR	P	NGR	NWAV	MH3BR	

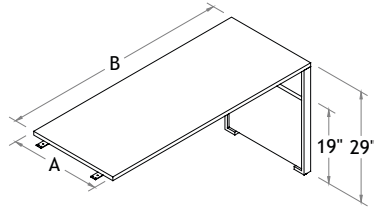
Secondary Desks

Returns

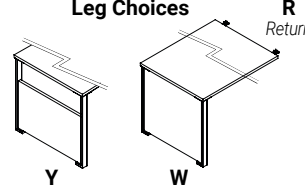
ex.: YR



ex.: RY



Leg Choices

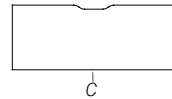


Manufacturing Standards

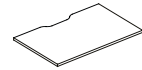
- Delivered disassembled;
- Chrome-finish metal legs with 1" laminate partial (Y) or full (W) insert;
- Support bar when 60" or longer;
- Mounting plates and screws;
- Vertical wood grain on leg base;
- Height: 29";
- **Y**: chrome-finish metal legs with 1" laminate partial insert;
- **W**: chrome-finish metal legs with 1" laminate full insert.

See [Appendix A](#) for the metal finishes available (no extra charge).

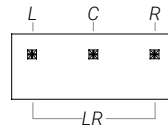
Options



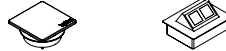
Cutout for wires



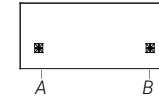
\$26 ea.



Grommet/Connectivity



\$26 ea. \$401 \$401 \$401



Wireless Charger



\$624

How to Order

LV	A B	Y W R	Y W R	WH BL SN CHR (std)	GRL GRC GRG GLR NGR (std)	WAVC MH3B MH3C MH3D NWAV (std)	C L R LR	QIBLA QIBLB	
series	dimensions	leg on left	leg on right	metal finish (Appx. A)	grommet position	cutout (Appx. B)	connectivity+position (Appx. B)	Qi (Appx. B)	
Example	LV	2430	Y	R	CHR	GRC	NWAV	MH3BR	QIBLA

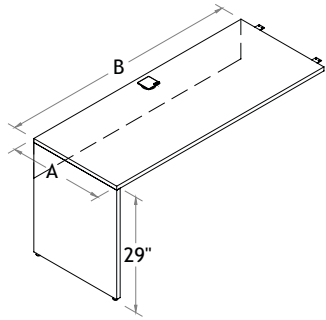
Prices

Dimensions	
A	B
1830	501
1836	508
1842	519
1848	524
1854	559
1860	639
1866	649
1872	658
2030	531
2036	543
2042	550
2048	559
2054	567
2060	687
2066	735
2072	746
The Wireless Charger is offered on 24" desks and wider	
2430	549
2436	559
2442	568
2448	579
2454	588
2460	710
2466	757
2472	769

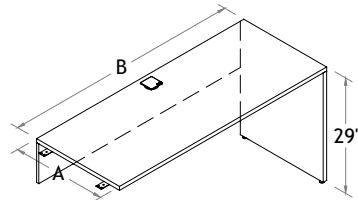
Secondary Desks

Returns

MR



RM

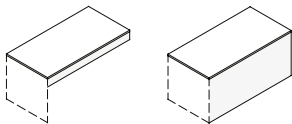


Manufacturing Standards

- Delivered disassembled;
- 1" laminate leg base;
- Centered CCPF grommet;
- Partial modesty panel (10") not recessed;
- Mounting plates and screws;
- Vertical wood grain on leg base;
- Height: 29".

Options

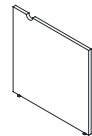
Modesty



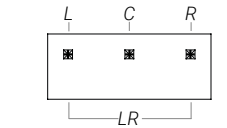
WAVC option not available with PM or FM modesty panels

\$0 \$0

Leg Grommet



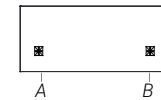
MGR \$0



Grommet/Connectivity



\$26 ea. \$401 \$401 \$401



Wireless Charger



\$624

Prices

Dimensions

A B

1830	336
1836	351
1842	361
1848	371
1854	414
1860	425
1866	439
1872	448

2030	440
2036	460
2042	482
2048	501
2054	523
2060	531
2066	570
2072	572

The Wireless Charger is offered on 24" desks and wider

2430	490
2436	503
2442	519
2448	528
2454	545
2460	555
2466	593
2472	608

How to Order

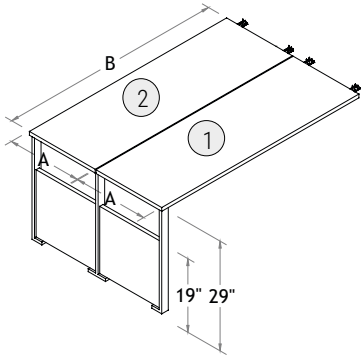
LV	A B	R M	R M	NGR GRL GRR GLR GRC (std)	FM PM (std)	MGR L MGR B	MH3B MH3C MH3D	C L R LR	QIBLA QIBLB
series	dimensions	leg on left	leg on right	grommet position	modesty (Appx. D)	leg grommet	connectivity+position (Appx. B)	Qi (Appx. B)	

Example LV 2430 M R GRC PM MGRL MH3BR QIBLA

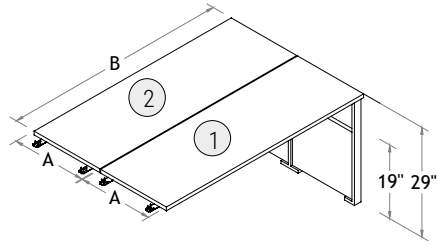
Secondary Desks

Double Returns

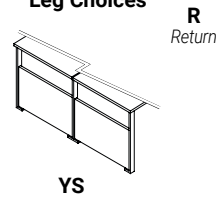
ex.: YSR-RYS



ex.: RYS-YSR



Leg Choices

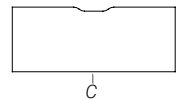


Manufacturing Standards

- Delivered disassembled;
- Chrome-finish metal legs with 1" laminate partial (Y) or full (W) insert;
- Support bar when 60" or longer;
- Mounting plates and screws;
- Vertical wood grain on leg base;
- Fixed clearance of 1/2" between the two work surfaces to pass cables;
- Height: 29";
- **YS:** chrome-finish metal legs with 1" laminate partial insert;

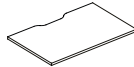
See [Appendix A](#) for the metal finishes available (no extra charge).

Options

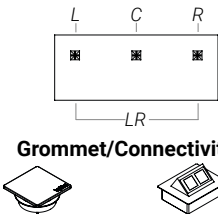


C

Cutout for wires




\$26 ea.



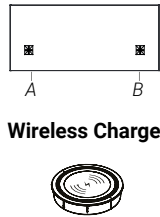
L C R

LR

Grommet/Connectivity




\$26 ea. \$401 \$401 \$401



A B

Wireless Charger



\$624

How to Order

	A B	YS R	YS R	WH BL SN CHR (std)	GRL GRC GRB GLR NGR (std)	WAVC NWAV (std)	MH3B MH3C MH3D	C L R LR	QIBLA QIBLB
1 LV									
2 LV									
	series	dimensions	leg on left	leg on right	metal finish (Appx. A)	grommet position	cutout (Appx. B)	connectivity+position (Appx. B)	Qi (Appx. B)
Example 1 LV	2460	YS	R	CHR	GRC	NWAV	MH3BR	QIBLA	
Example 2 LV	2460	R	YS	CHR	GRC	NWAV	MH3BL	QIBLB	

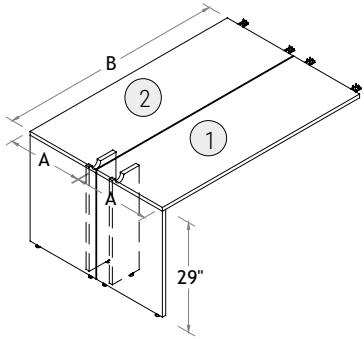
Prices

Dimensions A B	Price per individual desk	Price per double desk
1830	454	908
1836	461	922
1842	467	934
1848	475	950
1854	508	1016
1860	593	1186
1866	603	1206
1872	612	1224
2030	461	922
2036	468	936
2042	477	954
2048	486	972
2054	521	1042
2060	604	1208
2066	614	1228
2072	624	1248
<i>The Wireless Charger is offered on 24" desks and wider</i>		
2430	475	950
2436	486	972
2442	494	988
2448	503	1006
2454	523	1046
2460	625	1250
2466	635	1270
2472	646	1292

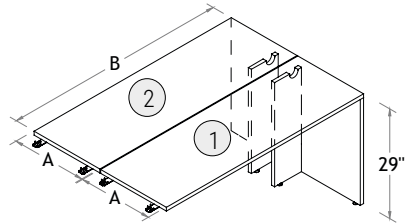
Secondary Desks

Double Returns

MSR-RMS



RMS-MSR



Manufacturing Standards

- Delivered disassembled;
- Support bar when 60" or longer;
- Half leg on 1" laminate leg base;
- Mounting plates and screws;
- Vertical wood grain on leg base;
- Fixed clearance of 1/2" between the two work surfaces to pass cables;
- Height: 29".

Options

Leg Grommet

MGR
\$0

Cutout for wires

\$26 ea.

Grommet/Connectivity

\$26 ea. \$401 \$401 \$401

Wireless Charger

\$624

Prices

Dimensions A B	Price per individual desk	Price per double desk
1830	312	624
1836	320	640
1842	327	654
1848	332	664
1854	368	736
1860	449	898
1866	459	918
1872	467	934
2030	318	636
2036	327	654
2042	333	666
2048	338	676
2054	375	750
2060	461	922
2066	468	936
2072	482	964
<i>The Wireless Charger is offered on 24" desks and wider</i>		
2430	331	662
2436	338	676
2442	351	702
2448	359	718
2454	395	790
2460	482	964
2466	491	982
2472	503	1006

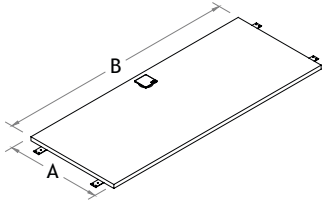
How to Order

	A B	R MS	R MS	GRL GRC GRR GLR NGR (std)	MGR L MGR R	WAVC NWAV (std)	MH3B MH3C MH3D	C L R LR	QIBLA QIBLB
1 LV									
2 LV									
	series	dimensions	leg on left	leg on right	grommet position	leg grommet	cutout (Appx. B)	connectivity+position (Appx. B)	Qi (Appx. B)
Example 1 LV	2460	MS	R	GRC	MGR L	NWAV	MH3BR	QIBLA	
Example 2 LV	2460	R	MS	GRC	MGR R	NWAV	MH3BL	QIBLB	

Secondary Desks

Bridges

BR

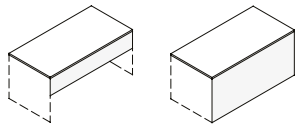


Manufacturing Standards

- Delivered disassembled;
- Centered CCPF grommet;
- Support bar when 60";
- Mounting plates and screws.

Options

Modesty

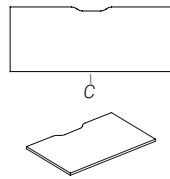


WAVC option not available with PM or FM modesty panels

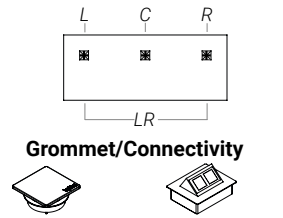
\$176

\$176

Cutout for wires



\$26 ea.



Grommet/Connectivity

\$26 ea.

\$401

\$401

\$401

Wireless Charger



\$624

Prices

Dimensions

A	B
2030	153
2036	167
2042	179
2048	194
2054	207
2060	222

The Wireless Charger is offered on 24" desks and wider

2430	153
2436	167
2442	179
2448	194
2454	207
2460	222

How to Order

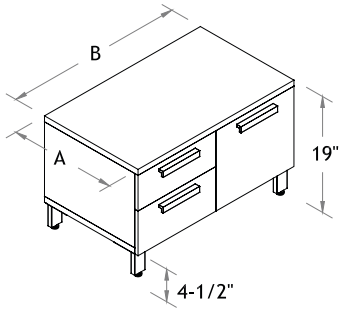
LV	A B	BR	NGR GRL GRR GLR GRC (std)	PM FM	WAVC NWAV (std)	MH3B MH3C MH3D	C L R LR	QIBLA QIBLB
series	dimensions	product	grommet position	modesty (Appx. D)	cutout (Appx. B)	connectivity+position (Appx. B)	Qi (Appx. B)	

Example LV 2430 BR GRC PM NWAV MH3BR QIBLA

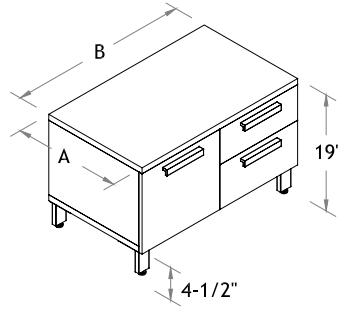
Floor Storage

Low Pedestals

BC19



CB19



Manufacturing Standards

- 2 utility drawers;
- 1 file drawer for letter and legal formats;
- Chrome-finish H052 metal handle;
- Chrome-finish metal legs;
- Vertical wood grain on front;
- Height: 19".

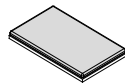
See [Appendix A](#) for the metal finishes available (no extra charge).
Specify if different handle desired (no extra charge, see [p. 149](#)).

Options

Lock

1-1/2"H Seat Cushion

See [Appendix C](#) for how to specify upholstery



Cushion Full



\$44 ea.

GRA	GR1	GR2	GR3	GR4	GR5	GR6	GR7	GR8	GR9	GR10	GR11	GR12	leather
\$333	\$345	\$362	\$378	\$399	\$419	\$440	\$461	\$481	\$502	\$522	\$564	\$605	\$571

Prices

Dimensions A B	Front finish (see Appendix A for further details)	
	Std	Hg
1830	1110	1151
1836	1131	1183
2330	1155	1196
2336	1183	1232

How to Order

LV	A B	BC19 CB19	WH BL SN CHR (std)	CF	H052 (std)	LKBL LKSN
series	dimensions	product	metal finish (Appx. A)	cushion (Appx. C)	handle (p. 149)	lock (p. 154)

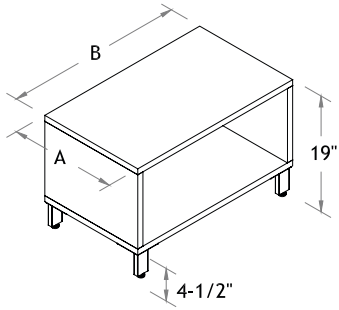
Example

LV	1836	BC19	CHR	CF	H052	LKSN
----	------	------	-----	----	------	------

Floor Storage

Low Pedestals

BBL19



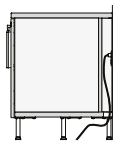
Manufacturing Standards

- Open storage;
- Chrome-finish metal legs;
- Height: 19".

See [Appendix A](#) for the metal finishes available (no extra charge).

Options

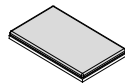
Electrical Wire Management



\$0

1-1/2"H Seat Cushion

See [Appendix C](#) for how to specify upholstery



Cushion Full

GRA	GR1	GR2	GR3	GR4	GR5	GR6	GR7	GR8	GR9	GR10	GR11	GR12	leather
\$333	\$345	\$362	\$378	\$399	\$419	\$440	\$461	\$481	\$502	\$522	\$564	\$605	\$571

Prices

Dimensions

A	B	Std
1830		593
1836		612
2330		623
2336		644

How to Order

LV	A B	BBL19	EM	WH BL SN CHR (std)	CF
series	dimensions	product	electricity (Appx. K)	metal finish (Appx. A)	cushion (Appx. C)

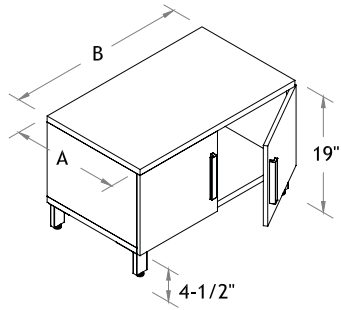
Example

LV	1836	BBL19	EM	CHR	CF
----	------	-------	----	-----	----

Floor Storage

Low Pedestals

AR19



Manufacturing Standards

- Cabinet with 2 soft close doors;
- Chrome-finish H052 metal handle;
- Chrome-finish metal legs;
- Vertical wood grain on front;
- Height: 19".

See [Appendix A](#) for the metal finishes available (no extra charge).

Specify if different handle desired (no extra charge, see [p. 149](#)).

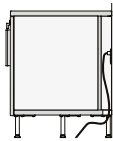
Options

Lock



\$44 ea.

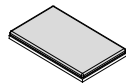
Electrical Wire Management



\$0

1-1/2"H Seat Cushion

See [Appendix C](#) for how to specify upholstery



Cushion Full

GRA	GR1	GR2	GR3	GR4	GR5	GR6	GR7	GR8	GR9	GR10	GR11	GR12	leather
\$333	\$345	\$362	\$378	\$399	\$419	\$440	\$461	\$481	\$502	\$522	\$564	\$605	\$571

Prices

Dimensions A B	Front finish (see Appendix A for further details)	
	Std	Hg
1830	776	819
1836	798	852
2330	802	845
2336	831	881

How to Order

LV	A B	AR19	EM	WH BL SN CHR (std)	CF	H052 (std)	LKBL LKSN
series	dimensions	product	electricity (Appx. K)	metal finish (Appx. A)	cushion (Appx. C)	handle (p. 149)	lock (p. 154)

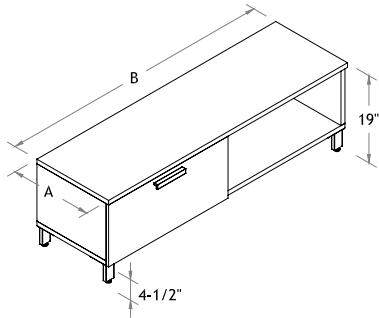
Example

LV	1836	AR19	EM	CHR	CF	H052	LKSN
----	------	------	----	-----	----	------	------

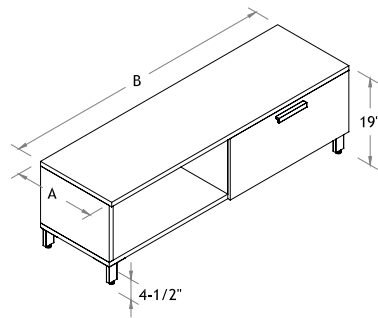
Floor Storage

Low Pedestals

CLO19



OCL19



Manufacturing Standards

- 1 lateral file drawer for letter and legal formats;
- 1 open storage;
- Chrome-finish H052 metal handle;
- Chrome-finish metal legs;
- Vertical wood grain on front;
- Height: 19".

See [Appendix A](#) for the metal finishes available (no extra charge).
Specify if different handle desired (no extra charge, see [p. 149](#)).

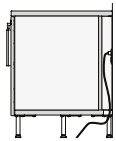
Options

Lock



\$44 ea.

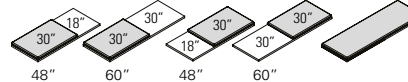
Electrical Wire Management



\$0 \$35

1-1/2"H Seat Cushion

See [Appendix C](#) for how to specify upholstery



Cushion Left Cushion Right Cushion Full

GRA	GR1	GR2	GR3	GR4	GR5	GR6	GR7	GR8	GR9	GR10	GR11	GR12	leather
\$333	\$345	\$362	\$378	\$399	\$419	\$440	\$461	\$481	\$502	\$522	\$564	\$605	\$571
\$333	\$345	\$362	\$378	\$399	\$419	\$440	\$461	\$481	\$502	\$522	\$564	\$605	\$571
\$388	\$400	\$417	\$433	\$454	\$474	\$495	\$516	\$536	\$557	\$577	\$619	\$660	\$626

How to Order

LV	A B	CLO19 OCL19	EM EH	WH BL SN CHR (std)	CL CR CF	H052 (std)	LKBL LKSN
series	dimensions	product	electricity (Appx. K)	metal finish (Appx. A)	cushion (Appx. C)	handle (p. 149)	lock (p. 154)

Example LV 2048 CLO19 EM CHR CL H052 LKSN

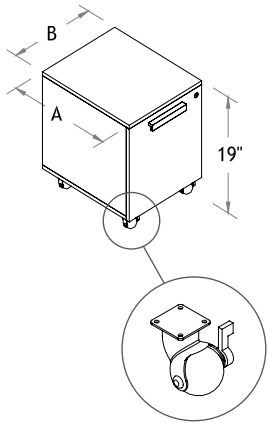
Prices

Dimensions A B	Front finish (see Appendix A for further details)	
	Std	Hg
2048	1041	1084
2060	1079	1124

Floor Storage

Mobile Pedestals

MOBC



Manufacturing Standards

- Delivered with the casters disassembled;
- 1 file drawer;
- 5 casters with brake;
- Chrome-finish H052 metal handle;
- Lock;
- Vertical wood grain on front;
- Height: 19".

Dimension B:

LS: Letter format (15-1/2")

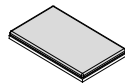
X: Legal format (18-1/2")

Specify if different handle desired (no extra charge, see p. 149).

Options

1-1/2"H Seat Cushion

See [Appendix C](#) for how to specify upholstery



Cushion Full

GRA	GR1	GR2	GR3	GR4	GR5	GR6	GR7	GR8	GR9	GR10	GR11	GR12	leather
\$294	\$302	\$313	\$324	\$338	\$352	\$365	\$379	\$393	\$407	\$420	\$448	\$475	\$452

Prices

Dimensions A B	Front finish (see Appendix A for further details)	
	Std	Hg
18 LS	612	630
18 X	623	645
23 LS	630	649
23 X	643	665

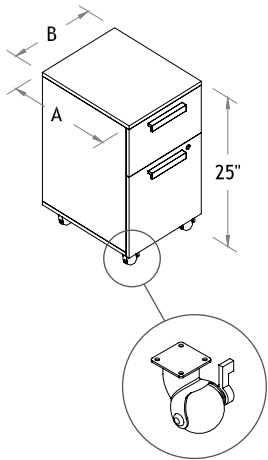
How to Order

LV	A	LS X	MOBC	CF	H052 (std)	LKBL LKSN
series	dimensions	format	product	cushion (Appx. C)	handle (p. 149)	lock (p. 154)
Example LV	18	LS	MOBC	CF	H052	LKSN

Floor Storage

Mobile Pedestals

MOBD



Manufacturing Standards

- Delivered with the casters disassembled;
- 1 utility drawer;
- 1 file drawer;
- 5 casters with brake;
- Chrome-finish H052 metal handle;
- Lock;
- Vertical wood grain on front;
- Height: 25".

Dimension B:

LS: Letter format (15-1/2")

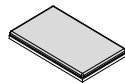
X: Legal format (18-1/2")

Specify if different handle desired (no extra charge, see p. 149).

Options

1-1/2"H Seat Cushion

See [Appendix C](#) for how to specify upholstery



Cushion Full

GRA	GR1	GR2	GR3	GR4	GR5	GR6	GR7	GR8	GR9	GR10	GR11	GR12	leather
\$294	\$302	\$313	\$324	\$338	\$352	\$365	\$379	\$393	\$407	\$420	\$448	\$475	\$452

Prices

Dimensions A B	Front finish (see Appendix A for further details)	
	Std	Hg
18 LS	728	754
18 X	743	772
23 LS	753	778
23 X	767	798

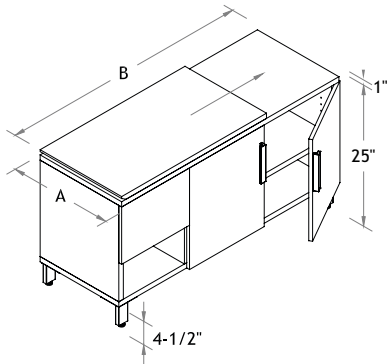
How to Order

LV	A	LS X	MOBD	CF	H052 (std)	LKBL LKSN
series	dimensions	format	product	cushion (Appx. C)	handle (p. 149)	lock (p. 154)
Example LV	18	LS	MOBD	CF	H052	LKSN

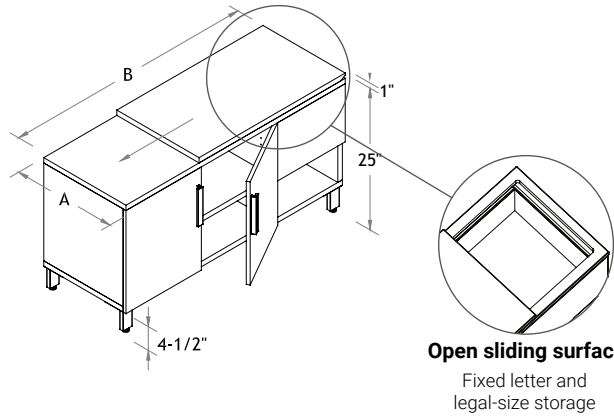
Floor Storage

Sliding-Surface Pedestals

UN04L



UN04R



Manufacturing Standards

- Cabinet with 2 soft close doors;
- 1 adjustable shelf;
- 1 letter and legal-size file storage accessible from above with sliding surface;
- 1 open storage;
- Chrome-finish H052 metal handle;
- Chrome-finish metal legs;
- Vertical wood grain on front;
- Height: 26" (with sliding-surface).

See [Appendix A](#) for the metal finishes available (no extra charge).
Specify if different handle desired (no extra charge, see [p. 149](#)).

Options

Lock



\$44 ea.

Prices

Dimensions		Front finish (see Appendix A for further details)	
A	B	Std	Hg
1848		1990	2080

How to Order

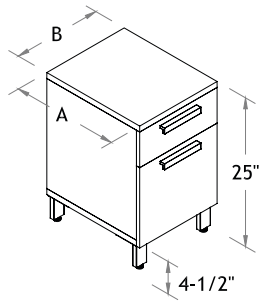
LV	A B	UN04L UN04R	WH BL SN CHR (std)	H052 (std)	LKBL LKSN
series	dimensions	product	metal finish (Appx. A)	handle (p. 149)	lock (p. 154)

Example LV 1848 UN04L CHR H052 LKSN

Floor Storage

High Pedestals

D25



Manufacturing Standards

- 1 utility drawer;
- 1 file drawer;
- Chrome-finish H052 metal handle;
- Chrome-finish metal legs;
- Vertical wood grain on front;
- Height: 25".

LS: Letter format

X: Legal format

See [Appendix A](#) for the metal finishes available (no extra charge).

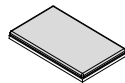
Specify if different handle desired (no extra charge, see [p. 149](#)).

Options

Lock

1-1/2"H Seat Cushion

See [Appendix C](#) for how to specify upholstery



Cushion Full



\$44 ea.

GRA	GR1	GR2	GR3	GR4	GR5	GR6	GR7	GR8	GR9	GR10	GR11	GR12	leather
\$294	\$302	\$313	\$324	\$338	\$352	\$365	\$379	\$393	\$407	\$420	\$448	\$475	\$452

Prices

Dimensions A B	Front finish (see Appendix A for further details)	
	Std	Hg
18LS	734	759
18X	749	778
23LS	762	790
23X	777	811

How to Order

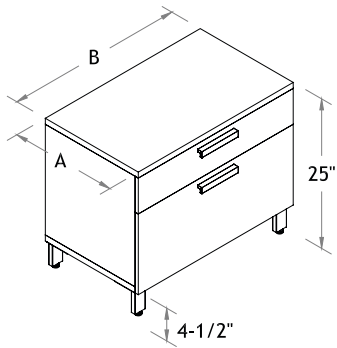
LV	A B	D25	WH BL SN CHR (std)	CF	H052 (std)	LKBL LKSN
series	dimensions	product	metal finish (Appx. A)	cushion (Appx. C)	handle (p. 149)	lock (p. 154)

Example LV 18X D25 CHR CF H052 LKSN

Floor Storage

High Pedestals

K25



Manufacturing Standards

- 1 utility drawer with built-in divider;
- 1 lateral file drawer for letter and legal formats;
- Chrome-finish H052 metal handle;
- Chrome-finish metal legs;
- Vertical wood grain on front;
- Counterweight;
- Height: 25".

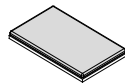
See [Appendix A](#) for the metal finishes available (no extra charge).
Specify if different handle desired (no extra charge, see [p. 149](#)).

Options

Lock

1-1/2"H Seat Cushion

See [Appendix C](#) for how to specify upholstery



Cushion Full



\$44 ea.

GRA	GR1	GR2	GR3	GR4	GR5	GR6	GR7	GR8	GR9	GR10	GR11	GR12	leather
\$333	\$345	\$362	\$378	\$399	\$419	\$440	\$461	\$481	\$502	\$522	\$564	\$605	\$571

Prices

Dimensions A B	Front finish (see Appendix A for further details)	
	Std	Hg
1830	1014	1066
1836	1041	1105
2330	1038	1090
2336	1071	1130

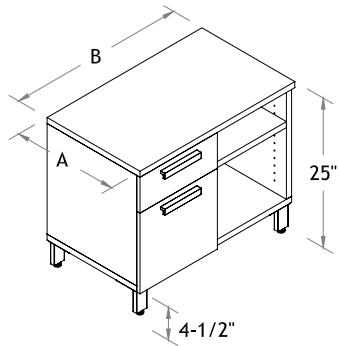
How to Order

LV	A B	K25	WH BL SN CHR (std)	CF	H052 (std)	LKBL LKSN
series	dimensions	product	metal finish (Appx. A)	cushion (Appx. C)	handle (p. 149)	lock (p. 154)
Example LV	1836	K25	CHR	CF	H052	LKSN

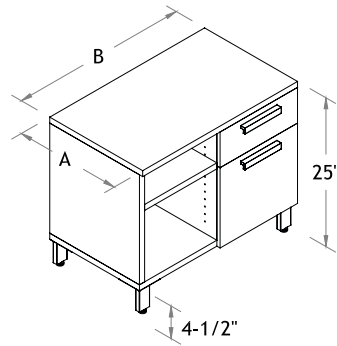
Floor Storage

High Pedestals

DO25



OD25



Manufacturing Standards

- 1 utility drawer;
- 1 file drawer for letter and legal formats;
- 1 open storage with 1 adjustable shelf;
- Chrome-finish H052 metal handle;
- Chrome-finish metal legs;
- Vertical wood grain on front;
- Height: 25".

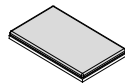
See [Appendix A](#) for the metal finishes available (no extra charge).
Specify if different handle desired (no extra charge, see [p. 149](#)).

Options

Lock

1-1/2"H Seat Cushion

See [Appendix C](#) for how to specify upholstery



Cushion Full



\$44 ea.

GRA	GR1	GR2	GR3	GR4	GR5	GR6	GR7	GR8	GR9	GR10	GR11	GR12	leather
\$333	\$345	\$362	\$378	\$399	\$419	\$440	\$461	\$481	\$502	\$522	\$564	\$605	\$571

Prices

Dimensions A B	Front finish (see Appendix A for further details)	
	Std	Hg
1830	1061	1092
1836	1090	1128
2330	1114	1146
2336	1149	1187

How to Order

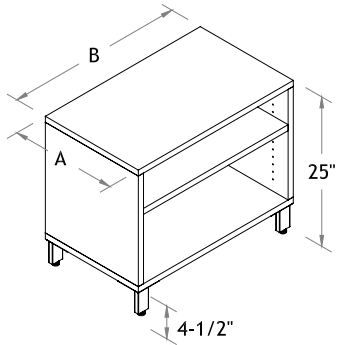
LV	A B	DO25 OD25	WH BL SN CHR (std)	CF	H052 (std)	LKBL LKSN
series	dimensions	product	metal finish (Appx. A)	cushion (Appx. C)	handle (p. 149)	lock (p. 154)

Example LV 1836 DO25 CHR CF H052 LKSN

Floor Storage

High Pedestals

BBL25



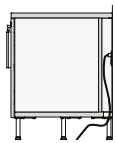
Manufacturing Standards

- Open storage with 1 adjustable shelf;
- Chrome-finish metal legs;
- Height: 25".

See [Appendix A](#) for the metal finishes available (no extra charge).

Options

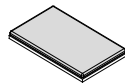
Electrical Wire Management



\$0

1-1/2"H Seat Cushion

See [Appendix C](#) for how to specify upholstery



Cushion Full

GRA	GR1	GR2	GR3	GR4	GR5	GR6	GR7	GR8	GR9	GR10	GR11	GR12	leather
\$333	\$345	\$362	\$378	\$399	\$419	\$440	\$461	\$481	\$502	\$522	\$564	\$605	\$571

Prices

Dimensions

A	B
1824	587
1830	610
1836	631
2324	614
2330	639
2336	668

How to Order

LV	A B	BBL25	EM	WH BL SN CHR (std)	CF
series	dimensions	product	electricity (Appx. K)	metal finish (Appx. A)	cushion (Appx. C)

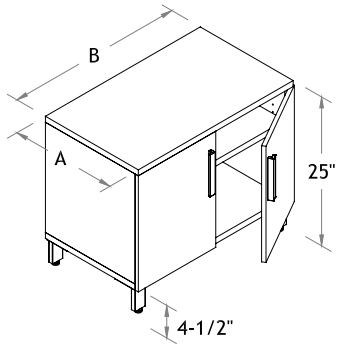
Example

LV	1836	BBL25	EM	CHR	CF
----	------	-------	----	-----	----

Floor Storage

High Pedestals

AR25



Manufacturing Standards

- Cabinet with 2 soft close doors;
- Chrome-finish H052 metal handle;
- Chrome-finish metal legs;
- Vertical wood grain on front;
- Height: 25".

See [Appendix A](#) for the metal finishes available (no extra charge).
Specify if different handle desired (no extra charge, see [p. 149](#)).

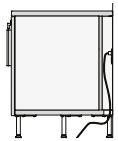
Options

Lock



\$44 ea.

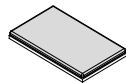
Electrical Wire Management



\$0

1-1/2"H Seat Cushion

See [Appendix C](#) for how to specify upholstery



Cushion Full

GRA	GR1	GR2	GR3	GR4	GR5	GR6	GR7	GR8	GR9	GR10	GR11	GR12	leather
\$333	\$345	\$362	\$378	\$399	\$419	\$440	\$461	\$481	\$502	\$522	\$564	\$605	\$571

Prices

Dimensions A B	Front finish (see Appendix A for further details)	
	Std	Hg
1824	814	860
1830	843	903
1836	876	947
2324	844	894
2330	881	941
2336	918	989

How to Order

LV	A B	AR25	EM	WH BL SN CHR (std)	CF	H052 (std)	LKBL LKSN
series	dimensions	product	electricity (Appx. K)	metal finish (Appx. A)	cushion (Appx. C)	handle (p. 149)	lock (p. 154)

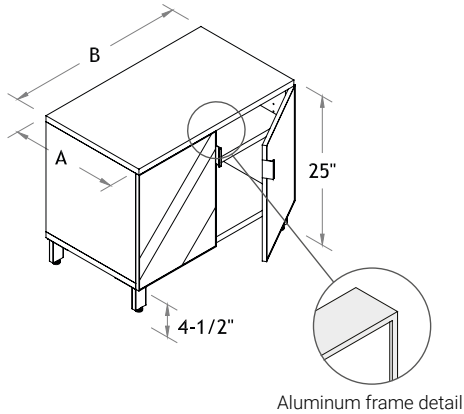
Example

LV	1836	AR25	EM	CHR	CF	H052	LKSN
----	------	------	----	-----	----	------	------

Floor Storage

High Pedestals

AR25 - Glass Doors



Manufacturing Standards

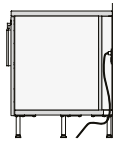
- Cabinet with 2 soft close doors;
- Frosted glass (VS) doors with aluminum-frame and built-in handle;
- 1 adjustable shelf;
- Chrome-finish metal legs;
- Height: 25".

Color Glass: See [Appendix A](#) for other glass color choices, V5, KB, KS, KR, KE, KO, KM, KA and KG all at the same price as V4.

See [Appendix A](#) for the metal finishes available (no extra charge).

Options

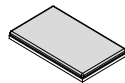
Electrical Wire Management



\$0

1-1/2"H Seat Cushion

See [Appendix C](#) for how to specify upholstery



Cushion Full

GRA	GR1	GR2	GR3	GR4	GR5	GR6	GR7	GR8	GR9	GR10	GR11	GR12	leather
\$333	\$345	\$362	\$378	\$399	\$419	\$440	\$461	\$481	\$502	\$522	\$564	\$605	\$571

Prices

Dimensions A B	Door insert (see Appendix A for further details)		
	VS	PL	V4
1824	1268	1322	1443
1830	1328	1397	1549
1836	1391	1472	1654
2324	1303	1360	1477
2330	1370	1439	1590
2336	1441	1520	1701

How to Order

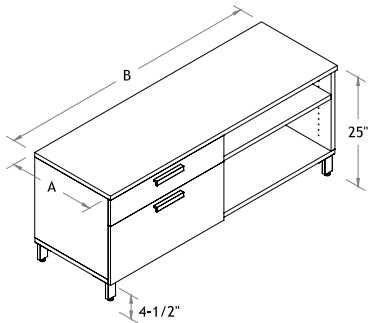
LV	A B	AR25	EM	V4 PL VS (std)	WH BL SN CHR (std)	CF
series	dimensions	product	electricity (Appx. K)	insert (Appx. A)	metal finish (Appx. A)	cushion (Appx. C)

Example LV 1836 AR25 EM VS CHR CF

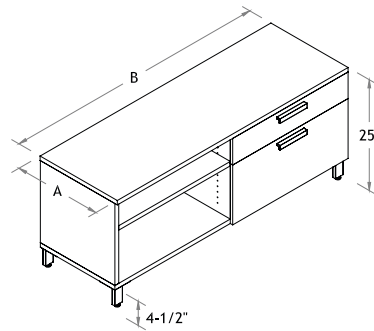
Floor Storage

High Pedestals

KO25



OK25



Manufacturing Standards

- 1 utility drawer with built-in divider;
- 1 lateral file drawer for letter and legal formats;
- 1 open storage with 1 adjustable shelf;
- Chrome-finish H052 metal handle;
- Chrome-finish metal legs;
- Vertical wood grain on front;
- Height: 25".

See [Appendix A](#) for the metal finishes available (no extra charge).

Specify if different handle desired (no extra charge, see [p. 149](#)).

Electrical Wire Management: When adding the EH and EC options, the shelf will be removed and the space converted to open storage.

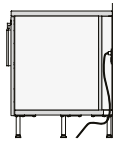
Options

Lock



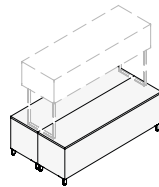
\$44 ea.

Electrical Wire Management



\$0 \$35 \$35

Drill holes for Shared Hutch

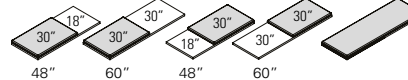


P

Specify hutch starting on [p. 119](#)

1-1/2"H Seat Cushion

See [Appendix C](#) for how to specify upholstery



Cushion Left Cushion Right Cushion Full

GRA	GR1	GR2	GR3	GR4	GR5	GR6	GR7	GR8	GR9	GR10	GR11	GR12	leather
\$333	\$345	\$362	\$378	\$399	\$419	\$440	\$461	\$481	\$502	\$522	\$564	\$605	\$571
\$333	\$345	\$362	\$378	\$399	\$419	\$440	\$461	\$481	\$502	\$522	\$564	\$605	\$571
\$388	\$400	\$417	\$433	\$454	\$474	\$495	\$516	\$536	\$557	\$577	\$619	\$660	\$626

How to Order

LV	A B	KO25 OK25	EM EH EC	P	WH BL SN CHR (std)	CL CR CF	H052 (std)	LKBL LKSN
series	dimensions	product	electricity (Appx. K)	hutch (Appx. H)	metal finish (Appx. A)	cushion (Appx. C)	handle (p. 149)	lock (p. 154)

Example LV 2048 KO25 EM P CHR CL H052 LKSN

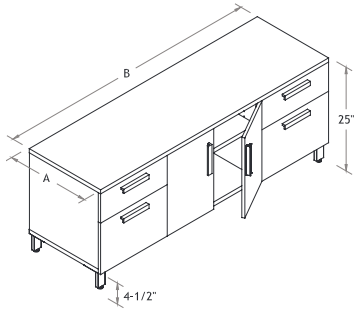
Prices

Dimensions A B	Front finish (see Appendix A for further details)	
	Std	Hg
2048	1076	1128
2060	1125	1175

Floor Storage

High Pedestals

DARD



Manufacturing Standards

- Cabinet with 2 soft close doors;
- 1 adjustable shelf;
- 2 utility drawers;
- 2 file drawers for letter and legal formats;
- Chrome-finish H052 metal handle on drawer;
- Chrome-finish metal legs;
- Vertical wood grain on front;
- Height: 25".

See [Appendix A](#) for the metal finishes available (no extra charge).
Specify if different handle desired (no extra charge, see [p. 149](#)).

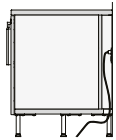
Options

Lock



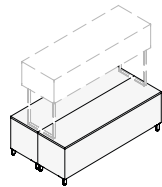
\$44 ea.

Electrical Wire Management



\$0 \$35 \$35

Drill holes for Shared Hutch

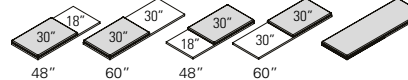


P

Specify hutch starting on [p. 119](#)

1-1/2"H Seat Cushion

See [Appendix C](#) for how to specify upholstery



Cushion Left Cushion Right Cushion Full

GRA	GR1	GR2	GR3	GR4	GR5	GR6	GR7	GR8	GR9	GR10	GR11	GR12	leather
\$333	\$345	\$362	\$378	\$399	\$419	\$440	\$461	\$481	\$502	\$522	\$564	\$605	\$571
\$333	\$345	\$362	\$378	\$399	\$419	\$440	\$461	\$481	\$502	\$522	\$564	\$605	\$571
\$388	\$400	\$417	\$433	\$454	\$474	\$495	\$516	\$536	\$557	\$577	\$619	\$660	\$626

How to Order

LV	A B	DARD	EM EH EC	P	WH BL SN CHR (std)	H052 (std)	LKBL LKSN	CL CR CF
series	dimensions	product	electricity (Appx. K)	hutch (Appx. H)	metal finish (Appx. A)	handle (p. 149)	lock (p. 154)	cushion (Appx. C)

Example LV 2060 DARD EM P CHR H052 LKSN CL

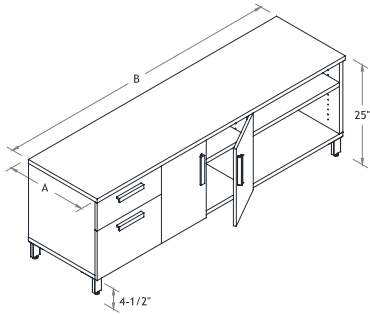
Prices

Dimensions A B	Front finish (see Appendix A for further details)	
	Std	Hg
2048	1483	1527
2060	1613	1655

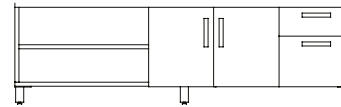
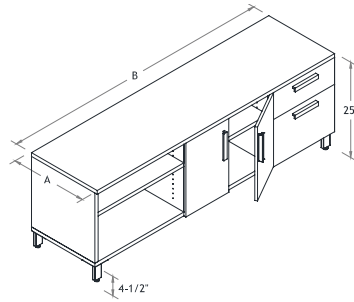
Floor Storage

High Pedestals

UN02SL



UN02SR



18,5" wide drawers and minimum 26" wide open storage

Manufacturing Standards

- 1 open storage;
- Cabinet with 2 soft close doors;
- 2 adjustable shelves;
- 1 utility drawer;
- 1 file drawer for letter and legal formats;
- Chrome-finish H052 metal handle;
- 5 chrome-finish metal legs;
- Vertical wood grain on front;
- Height: 25".

*Hutch available only on the 72" long high pedestal.

See [Appendix A](#) for the metal finishes available (no extra charge).

Specify if different handle desired (no extra charge, see [p. 149](#)).

Electrical Wire Management: When adding the EH and EC options, the shelf will be removed and the space converted to open storage.

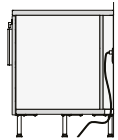
Options

Lock



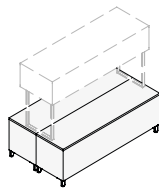
\$44 ea.

Electrical Wire Management



\$0 \$35 \$35

Drill holes for Shared Hutch



P

Specify hutch starting on [p. 119](#)



Available on drawer side



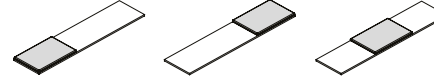
Wireless Charger



\$624

1-1/2"H Seat Cushion

See [Appendix C](#) for how to specify upholstery



Cushion Left Cushion Right Cushion Centered

GRA	GR1	GR2	GR3	GR4	GR5	GR6	GR7	GR8	GR9	GR10	GR11	GR12	leather
\$333	\$345	\$362	\$378	\$399	\$419	\$440	\$461	\$481	\$502	\$522	\$564	\$605	\$571
\$333	\$345	\$362	\$378	\$399	\$419	\$440	\$461	\$481	\$502	\$522	\$564	\$605	\$571
\$333	\$345	\$362	\$378	\$399	\$419	\$440	\$461	\$481	\$502	\$522	\$564	\$605	\$571

How to Order

LV	A B	UN02SL UN02SR	EM EH EC	P	WH BL SN CHR (std)	CL CR CC	QIBL	H052 (std)	LKBL LKSN
series	dimensions	product	electricity (Appx. K)	hutch (Appx. H)	metal finish (Appx. A)	cushion (Appx. C)	Qi (Appx. B)	handle (p. 149)	lock (p. 154)

Example LV 2072 UN02SL EM P CHR CL QIBL H052 LKSN

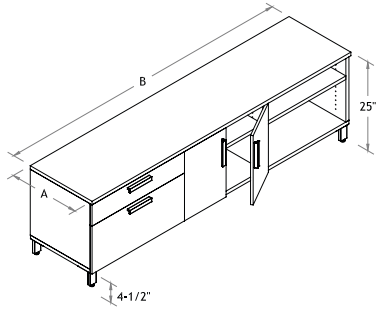
Prices

Dimensions	Front finish (see Appendix A for further details)	
	Std	Hg
*2072	1455	1507
2084	1503	1558

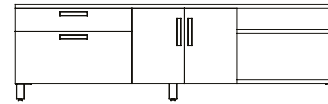
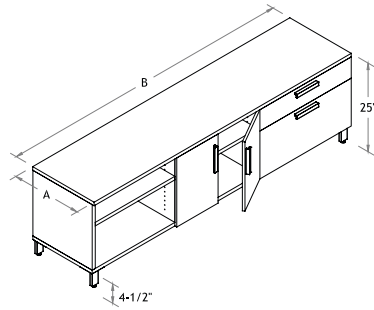
Floor Storage

High Pedestals

UN02L



UN02R



30" width drawer, equal width cabinet and open storage

Manufacturing Standards

- 1 open storage;
- Cabinet with 2 soft close doors;
- 2 adjustable shelves;
- 1 utility drawer;
- 1 lateral file drawer for letter and legal formats;
- Chrome-finish H052 metal handle;
- 5 chrome-finish metal legs;
- Vertical wood grain on front;
- Height: 25".

*Hutch available only on the 72" long high pedestal.

See [Appendix A](#) for the metal finishes available (no extra charge).

Specify if different handle desired (no extra charge, see [p. 149](#)).

Electrical Wire Management: When adding the EH and EC options, the shelf will be removed and the space converted to open storage.

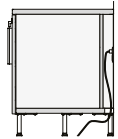
Options

Lock



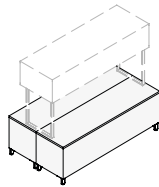
\$44 ea.

Electrical Wire Management



\$0 \$35 \$35

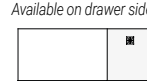
Drill holes for Shared Hutch



P

Specify hutch starting on [p. 119](#)

Wireless Charger



Available on drawer side

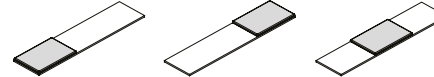
Wireless Charger



\$624

1-1/2"H Seat Cushion

See [Appendix C](#) for how to specify upholstery



Cushion Left Cushion Right Cushion Centered

GRA	GR1	GR2	GR3	GR4	GR5	GR6	GR7	GR8	GR9	GR10	GR11	GR12	leather
\$333	\$345	\$362	\$378	\$399	\$419	\$440	\$461	\$481	\$502	\$522	\$564	\$605	\$571
\$333	\$345	\$362	\$378	\$399	\$419	\$440	\$461	\$481	\$502	\$522	\$564	\$605	\$571
\$333	\$345	\$362	\$378	\$399	\$419	\$440	\$461	\$481	\$502	\$522	\$564	\$605	\$571

How to Order

LV	A B	UN02L UN02R	EM EH EC	P	WH BL SN CHR (std)	CL CR CC	QIBL	H052 (std)	LKBL LKSN
series	dimensions	product	electricity (Appx. K)	hutch (Appx. H)	metal finish (Appx. A)	cushion (Appx. C)	Qi (Appx. B)	handle (p. 149)	lock (p. 154)

Example LV 2072 UN02L EM P CHR CL QIBL H052 LKSN

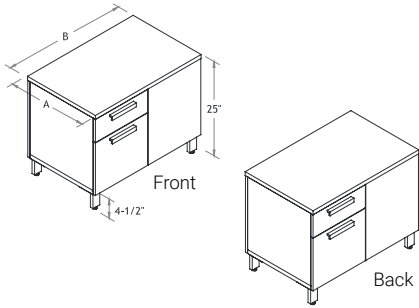
Prices

Dimensions	Front finish (see Appendix A for further details)	
	Std	Hg
*2072	1470	1557
2084	1524	1630

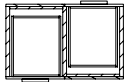
Floor Storage

Shared High Pedestals

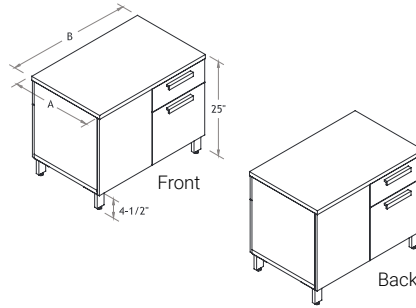
DD25L



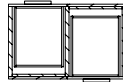
Space inside



DD25R



Space inside



Manufacturing Standards

- 1 utility drawer on each side;
- 1 file drawer on each side for letter and legal formats;
- Chrome-finish H052 metal handle;
- Chrome-finish metal legs;
- Vertical wood grain on front;
- Height: 25".

LS: Letter format (total length: 31-3/16")

X: Legal format (total length: 37-3/16")

See [Appendix A](#) for the metal finishes available (no extra charge).

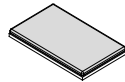
Specify if different handle desired (no extra charge, see [p. 149](#)).

Options

Lock

1-1/2"H Seat Cushion

See [Appendix C](#) for how to specify upholstery



Cushion Full



\$44 ea.

GRA	GR1	GR2	GR3	GR4	GR5	GR6	GR7	GR8	GR9	GR10	GR11	GR12	leather
\$333	\$345	\$362	\$378	\$399	\$419	\$440	\$461	\$481	\$502	\$522	\$564	\$605	\$571

Prices

Dimensions	Front finish (see Appendix A for further details)	
	A B	Std Hg
20 LS	1583	1823
20 X	1630	1873

How to Order

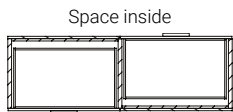
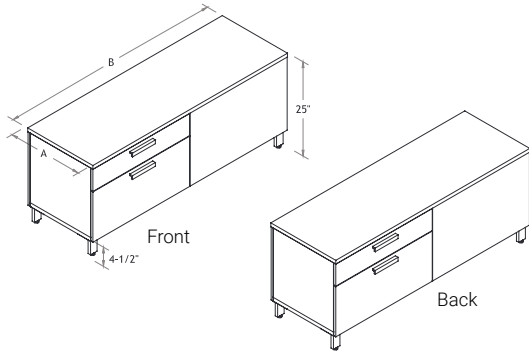
LV	A B	DD25L DD25R	WH BL SN CHR (std)	CF	H052 (std)	LKBL LKSN
series	dimensions	product	metal finish (Appx. A)	cushion (Appx. C)	handle (p. 149)	lock (p. 154)

Example LV 20LS DD25L CHR CF H052 LKSN

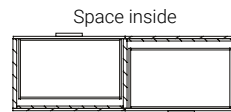
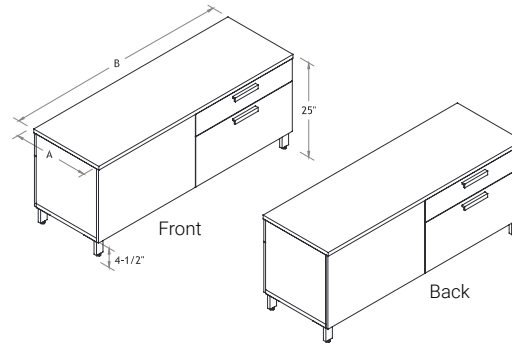
Floor Storage

Shared High Pedestals

KD25L



KD25R



Manufacturing Standards

- 1 utility drawer on each side with built-in divider;
- 1 lateral file drawer on each side for letter and legal formats;
- Chrome-finish H052 metal handle;
- Chrome-finish metal legs;
- Vertical wood grain on front;
- Counterweight;
- Height: 25".

See [Appendix A](#) for the metal finishes available (no extra charge).

Cushions: Seat cushions are ordered from the front view of the furniture. ie: a left cushion will be on the left side on the front but on the right side on the back.

Specify if different handle desired (no extra charge, see [p. 149](#)).

Options

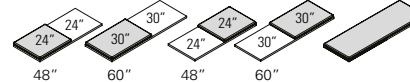
Lock



\$44 ea.

1-1/2"H Seat Cushion

See [Appendix C](#) for how to specify upholstery



Cushion Left Cushion Right Cushion Full

GRA	GR1	GR2	GR3	GR4	GR5	GR6	GR7	GR8	GR9	GR10	GR11	GR12	leather
\$333	\$345	\$362	\$378	\$399	\$419	\$440	\$461	\$481	\$502	\$522	\$564	\$605	\$571
\$333	\$345	\$362	\$378	\$399	\$419	\$440	\$461	\$481	\$502	\$522	\$564	\$605	\$571
\$388	\$400	\$417	\$433	\$454	\$474	\$495	\$516	\$536	\$557	\$577	\$619	\$660	\$626

How to Order

LV	A B	KD25L KD25R	WH BL SN CHR (std)	CL CR CF	H052 (std)	LKBL LKSN
series	dimensions	product	metal finish (Appx. A)	cushion (Appx. C)	handle (p. 149)	lock (p. 154)

Example LV 2060 KD25L CHR CF H052 LKSN

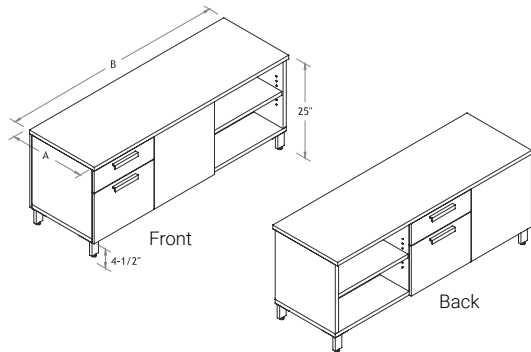
Prices

Dimensions A B	Front finish (see Appendix A for further details)	
	Std	Hg
2048	1788	2058
2060	1829	2101

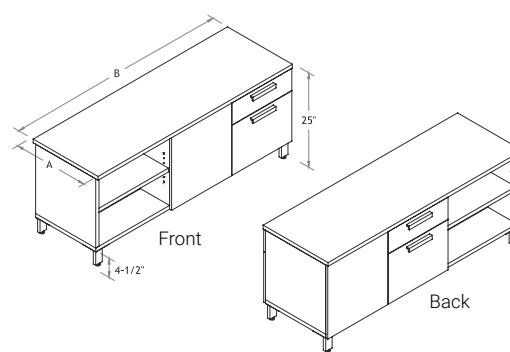
Floor Storage

Shared High Pedestals

KOD25



OKD25



Manufacturing Standards

- 1 utility drawer on each side with built-in divider;
- 1 lateral file drawer on each side for letter and legal formats;
- 1 open storage on each side with 1 adjustable shelf;
- Chrome-finish H052 metal handle;
- Chrome-finish metal legs;
- Vertical wood grain on front;
- Height: 25".

Not compatible with floating desks.

See [Appendix A](#) for the metal finishes available (no extra charge).

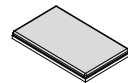
Specify if different handle desired (no extra charge, see [p. 149](#)).

Options

Lock

1-1/2"H Seat Cushion

See [Appendix C](#) for how to specify upholstery



Cushion Full



\$44 ea.

GRA	GR1	GR2	GR3	GR4	GR5	GR6	GR7	GR8	GR9	GR10	GR11	GR12	leather
\$388	\$400	\$417	\$433	\$454	\$474	\$495	\$516	\$536	\$557	\$577	\$619	\$660	\$626

Prices

Dimensions A B	Front finish (see Appendix A for further details)	
	Std	Hg
2060	1706	1962

How to Order

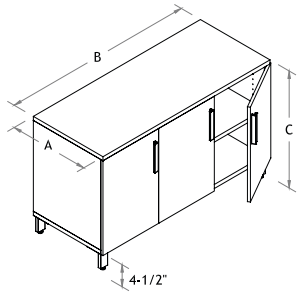
LV	A B	KOD25 OKD25	WH BL SN CHR (std)	CF	H052 (std)	LKBL LKSN
series	dimensions	product	metal finish (Appx. A)	cushion (Appx. C)	handle (p. 149)	lock (p. 154)

Example LV 2060 KOD25 CHR CF H052 LKSN

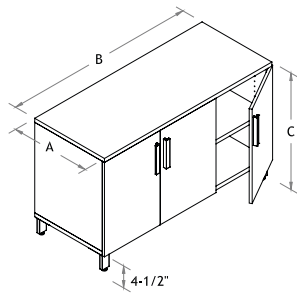
Floor Storage

Credenzas

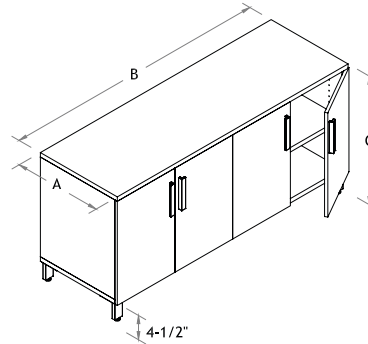
AR3L



AR3R



ARAR



Manufacturing Standards

- Cabinet with 3 or 4 soft close doors depending on unit length;
- 1 adjustable shelf per section;
- Chrome-finish H052 metal handle;
- Chrome-finish metal legs;
- Vertical wood grain on front;
- Height: 29".

See [Appendix A](#) for the metal finishes available (no extra charge).
Specify if different handle desired (no extra charge, see [p. 149](#)).

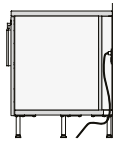
Options

Lock



\$44 ea.

Electrical Wire Management



\$0

Prices

AR3L / AR3R

Dimensions A B C	Front finish (see Appendix A for further details)	
	Std	Hg
204829	1307	1434
244829	1358	1482

ARAR

Dimensions A B C	Front finish (see Appendix A for further details)	
	Std	Hg
206029	1461	1618
246029	1521	1679

How to Order

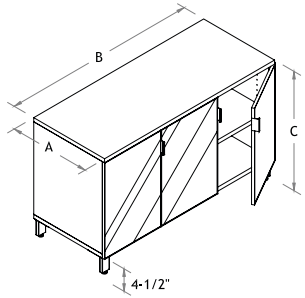
LV	A B C	AR3L AR3R ARAR	EM	P	WH BL SN CHR (std)	H052 (std)	LKBL LKSN
series	dimensions	product	electricity (Appx. K)	hutch (Appx. H)	metal finish (Appx. A)	handle (p. 149)	lock (p. 154)

Example LV 206029 ARAR EM P CHR H052 LKSN

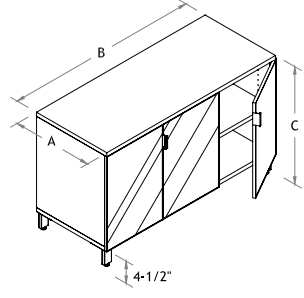
Floor Storage

Credenzas

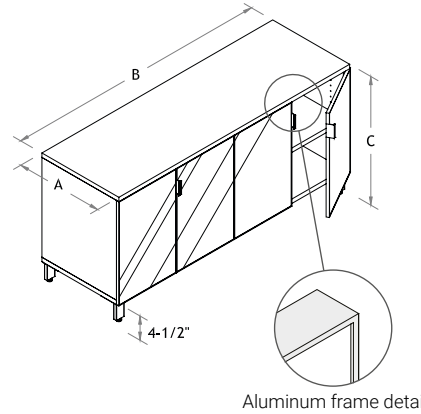
AR3L - Glass Doors



AR3R - Glass Doors



ARAR - Glass Doors



Manufacturing Standards

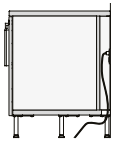
- Cabinet with 3 or 4 soft close doors;
- Frosted glass (VS) doors with aluminum-frame and built-in handle;
- 1 adjustable shelf per section;
- Chrome-finish metal legs;
- Height: 29".

Color Glass: See [Appendix A](#) for other glass color choices, V5, KB, KS, KR, KE, KO, KM, KA and KG all at the same price as V4.

See [Appendix A](#) for the metal finishes available (no extra charge).

Options

Electrical Wire Management



\$0

Prices

AR3L / AR3R - Glass Doors

Dimensions	Door insert (see Appendix A for further details)		
	A	B	C
204829	VS	PL	V4
244829	VS	PL	V4

ARAR - Glass Doors

Dimensions	Door insert (see Appendix A for further details)		
	A	B	C
206029	VS	PL	V4
246029	VS	PL	V4

How to Order

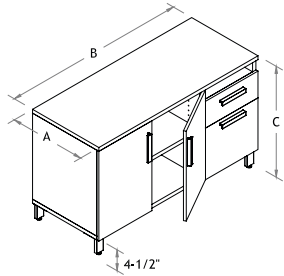
LV	A B C	AR3L AR3R ARAR	EM	V4 PL VS (std)	P	WH BL SN CHR (std)
series	dimensions	product	electricity (Appx. K)	insert (Appx. A)	hutch (Appx. H)	metal finish (Appx. A)

Example LV 206029 ARAR EM VS P CHR

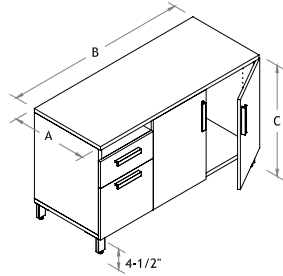
Floor Storage

Credenzas

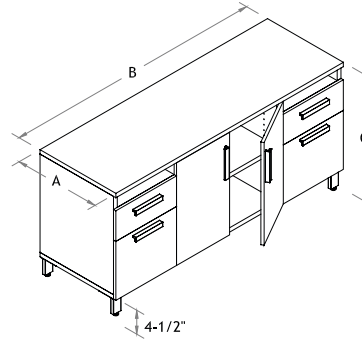
ARJ



JAR



JARJ



Manufacturing Standards

- Cabinet with 2 soft close doors;
- 1 adjustable shelf;
- 1 or 2 sections with 1 pigeonhole unit, 1 utility drawer and 1 file drawer for letter and legal formats;
- Chrome-finish H052 metal handle;
- Chrome-finish metal legs;
- Vertical wood grain on front;
- Height: 29".

See [Appendix A](#) for the metal finishes available (no extra charge).
Specify if different handle desired (no extra charge, see [p. 149](#)).

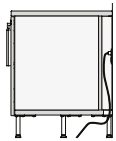
Options

Lock



\$44 ea.

Electrical Wire Management



\$0

Prices

ARJ / JAR

Dimensions A B C	Front finish (see Appendix A for further details)	
	Std	Hg
204829	1516	1632
244829	1567	1682

JARJ

Dimensions A B C	Front finish (see Appendix A for further details)	
	Std	Hg
206029	2006	2143
246029	2069	2206

How to Order

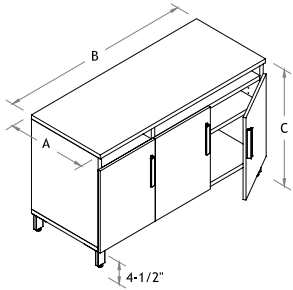
LV	A B C	ARJ JAR JARJ	EM	P	WH BL SN CHR (std)	H052 (std)	LKBL LKSN
series	dimensions	product	electricity (Appx. K)	hutch (Appx. H)	metal finish (Appx. A)	handle (p. 149)	lock (p. 154)

Example LV 206029 JARJ EM P CHR H052 LKSN

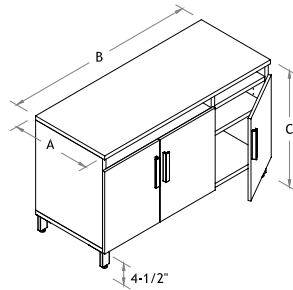
Floor Storage

Credenzas

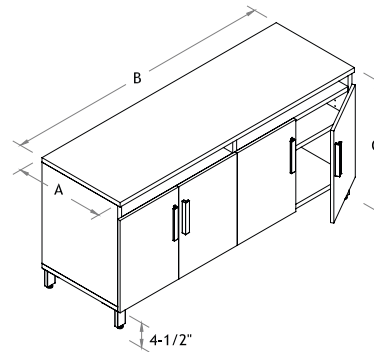
PGAR3L



PGAR3R



PGARAR



Manufacturing Standards

- Cabinet with 3 or 4 soft close doors depending on unit length;
- 1 pigeonhole unit and 1 adjustable shelf per section;
- Chrome-finish H052 metal handle;
- Chrome-finish metal legs;
- Vertical wood grain on front;
- Height: 29".

See [Appendix A](#) for the metal finishes available (no extra charge).
Specify if different handle desired (no extra charge, see [p. 149](#)).

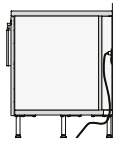
Options

Lock



\$44 ea.

Electrical Wire Management



\$0

Prices

PGAR3L / PGAR3R

Dimensions A B C	Front finish (see Appendix A for further details)	
	Std	Hg
204829	1434	1537
244829	1493	1599

PGARAR

Dimensions A B C	Front finish (see Appendix A for further details)	
	Std	Hg
206029	1600	1731
246029	1673	1804

How to Order

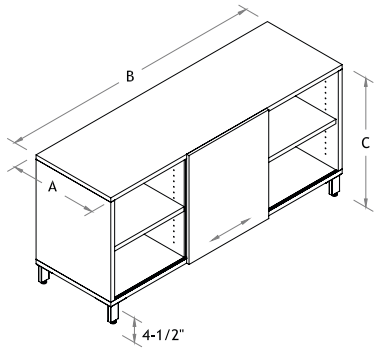
LV	A B C	PGAR3L PGAR3R PGARAR	EM	P	WH BL SN CHR (std)	H052 (std)	LKBL LKSN
series	dimensions	product	electricity (Appx. K)	hutch (Appx. H)	metal finish (Appx. A)	handle (p. 149)	lock (p. 154)

Example LV 206029 PGARAR EM P CHR H052 LKSN

Floor Storage

Credenzas

SF



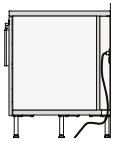
Manufacturing Standards

- 1 sliding front;
- 3 open storage spaces;
- 1 adjustable shelf per section;
- Chrome-finish metal legs;
- Vertical wood grain on front;
- Height: 29".

See [Appendix A](#) for the metal finishes available (no extra charge).

Options

Electrical Wire Management



\$0

Prices

Dimensions A B C	Front finish (see Appendix A for further details)	
	Std	Hg
204829	1317	1357
244829	1370	1410
206029	1386	1439
246029	1448	1500

How to Order

LV	A B C	SF	EM	P	WH BL SN CHR (std)
series	dimensions	product	electricity (Appx. K)	hutch (Appx. H)	metal finish (Appx. A)

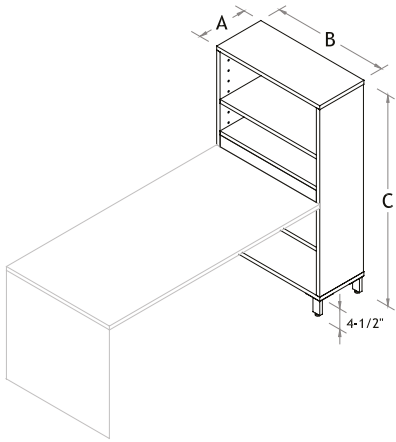
Example LV 206029 SF EM P CHR

Secondary Desks



Leg Base Storage

UN22



Manufacturing Standards

- 1 adjustable shelf in the lower section;
- 4 chrome-finish metal legs.

Upper section:
 42": 0 adjustable shelves
 51": 1 adjustable shelf
 54": 1 adjustable shelf

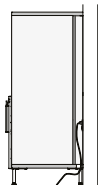
See [Appendix A](#) for the metal finishes available (no extra charge).

Actual dimension of "B" is 1/2" larger than listed.

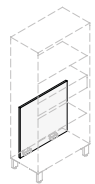
Option: Grommet in the back is a round 2.5" black grommet.

Options

Electrical Wire Management Removable Panel



\$0



PA

\$35

Grommet in the back



GRC

\$0

Prices

Dimensions

A B C

132442 911

132451 1024

132454 1031

133042 946

133051 1065

133054 1074

182442 958

182451 1075

182454 1084

183042 989

183051 1121

183054 1130

202442 966

202451 1094

202454 1108

203042 1005

203051 1142

203054 1154

How to Order

LV	A B C	UN22	EM PA	WH BL SN CHR (std)	GRC NGR (std)
series	dimensions	product	electricity (Appx. K)	metal finish (Appx. A)	grommet

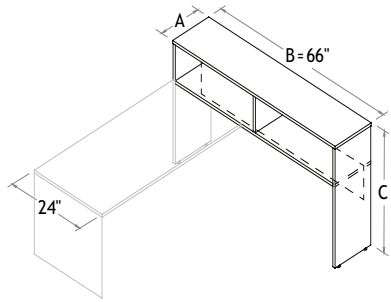
Example LV 132442 UN22 EM CHR GRC

Secondary Desks

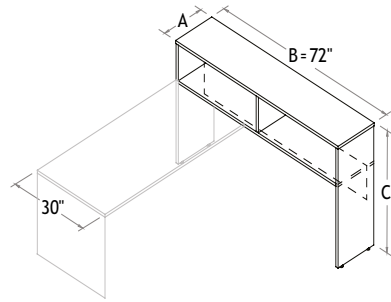


Leg Base Storage

UN23 - 66"



UN23 - 72"

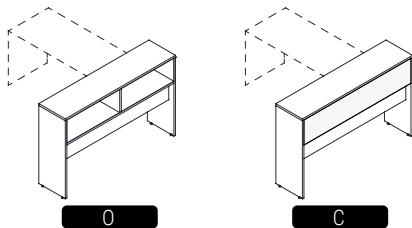


Manufacturing Standards

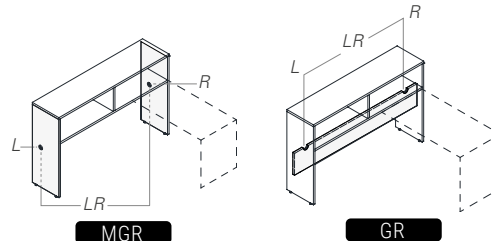
- 1" laminate leg base;
- PM modesty panel (10"), 3" Recessed;
- Vertical wood grain on leg base;
- Open storage;
- Height: 42".

Options

Back options



Grommets



Prices

Dimensions

A	B	C
166642	688	
167242	705	

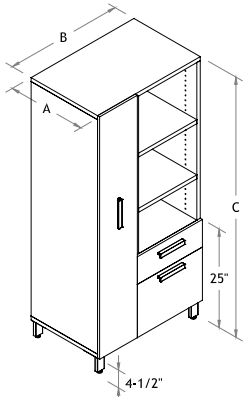
How to Order

LV	ABC	UN23	C O (std)	+		
				MGR MGR MGLR	GR GRL GLR NGR (std)	
series	dimensions	product	back	side-leg grommet	modesty grommet	
Example	LV	167242	UN23	O	MGR	GRL

Floor Storage

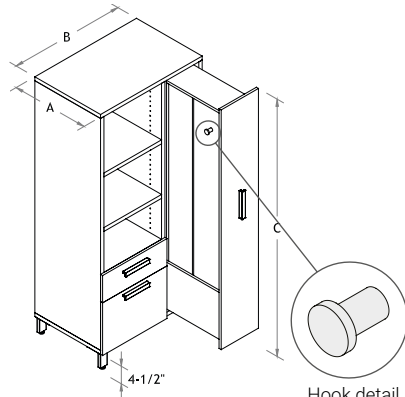
Sliding Wardrobe Towers

UN09L



Opening on the right

UN09R



Opening on the left

Hook detail

Manufacturing Standards

- Bookcase storage with adjustable shelves;
- 1 utility drawer;
- 1 file drawer for letter and legal formats;
- Sliding wardrobe with CRLI010 hook;
- Chrome-finish H052 metal handles;
- Ventilation grill in back;
- Chrome-finish metal legs;
- Vertical wood grain on front.

51" to 54": 1 adjustable shelf
60" to 66": 2 adjustable shelves

See [Appendix A](#) for the metal finishes available (no extra charge).

Specify if different handle desired (no extra charge, see [p. 149](#)).

Options

Lock



\$44 ea.

Prices

Dimensions A B C	Front finish (see Appendix A for further details)	
	Std	Hg
203051	2317	2423
243051	2407	2514
203054	2317	2423
243054	2407	2514
203060	2437	2552
243060	2536	2650
203064	2484	2603
243064	2589	2710
203066	2484	2603
243066	2589	2710

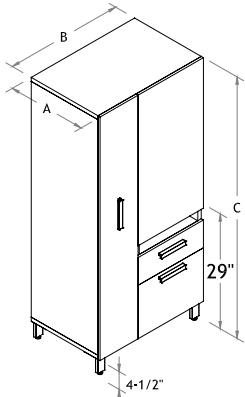
How to Order

LV	A B C	UN09L UN09R	WH BL SN CHR (std)	H052 (std)	LKBL LKSN	CRLI010 (std)
series	dimensions	product	metal finish (Appx. A)	handle (p. 149)	lock (p. 154)	hook (p. 155)
Example	LV 243060	UN09L	CHR	H052	LKSN	CRLI010

Floor Storage

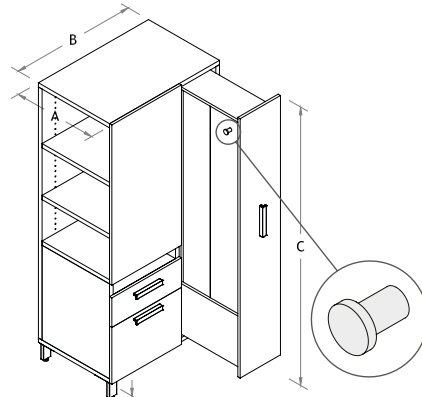
Sliding Wardrobe Towers

UN10L



Opening on the right

UN10R



Opening on the left

Hook detail

Manufacturing Standards

- Sliding wardrobe with CRLI010 hook;
- Bookcase section on the side, with adjustable shelves;
- 1 pigeonhole unit;
- 1 utility drawer;
- 1 file drawer for letter and legal formats;
- Chrome-finish H052 metal handles;
- Chrome-finish metal legs;
- Ventilation grill in back;
- Vertical wood grain on front.

51" to 60": 1 adjustable shelf
64" to 66": 2 adjustable shelves

See [Appendix A](#) for the metal finishes available (no extra charge).

Specify if different handle desired (no extra charge, see [p. 149](#)).

Options

Lock



\$44 ea.

Prices

Dimensions A B C	Front finish (see Appendix A for further details)	
	Std	Hg
203051	2433	2592
243051	2514	2673
203054	2433	2592
243054	2514	2673
203060	2479	2660
243060	2566	2743
203064	2602	2800
243064	2695	2894
203066	2602	2800
243066	2695	2894

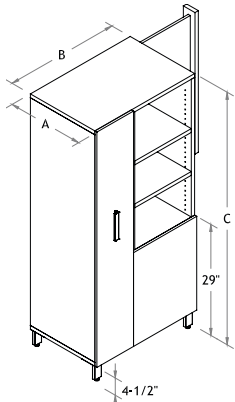
How to Order

LV	A B C	UN10L UN10R	WH BL SN CHR (std)	H052 (std)	LKBL LKSN	CRLI010 (std)	
series	dimensions	product	metal finish (Appx. A)	handle (p. 149)	lock (p. 154)	hook (p. 155)	
Example	LV	243060	UN10L	CHR	H052	LKSN	CRLI010

Floor Storage

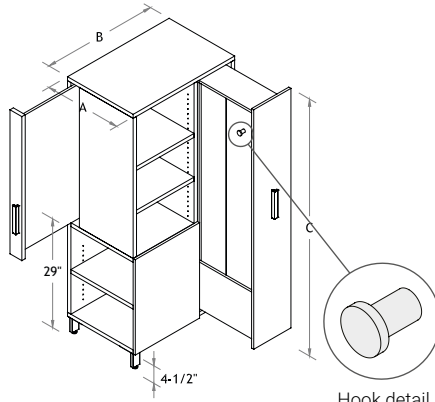
Sliding Wardrobe Towers

UN11L



Opening on the right

UN11R



Opening on the left

Hook detail

Manufacturing Standards

- 2 bookcase sections with adjustable shelves;
- Sliding white board with chrome-finish H052 metal handle;
- Sliding wardrobe with CRLI010 hook;
- Chrome-finish H052 metal handle;
- Ventilation grill in back;
- Chrome-finish metal legs;
- Vertical wood grain on front.

51" to 60": 2 adjustable shelves
64" to 66": 3 adjustable shelves

See [Appendix A](#) for the metal finishes available (no extra charge).

Specify if different handle desired (no extra charge, see [p. 149](#)).

Options

Lock



\$44 ea.

Prices

Dimensions A B C	Front finish (see Appendix A for further details)	
	Std	Hg
203051	2837	2864
243051	2885	2898
203054	2837	2864
243054	2885	2898
203060	2923	3037
243060	2985	3101
203064	3082	3200
243064	3154	3277
203066	3082	3200
243066	3154	3277

How to Order

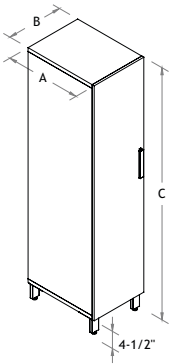
LV	A B C	UN11L UN11R	WH BL SN CHR (std)	H052 (std)	LKBL LKSN	CRLI010 (std)
series	dimensions	product	metal finish (Appx. A)	handle (p. 149)	lock (p. 154)	hook (p. 155)
Example	LV 243060	UN11L	CHR	H052	LKSN	CRLI010

Floor Storage

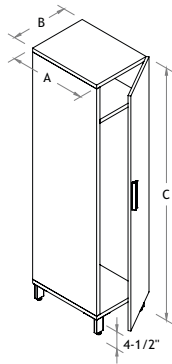


Wardrobe Towers

VL



VR



Manufacturing Standards

- Wardrobe with 1 soft close door;
- 1 fixed shelf;
- 1 clothes rail;
- Chrome-finish H052 metal handle;
- Ventilation grill in back;
- Chrome-finish metal legs;
- Vertical wood grain on front.

See [Appendix A](#) for the metal finishes available (no extra charge).
Specify if different handle desired (no extra charge, see [p. 149](#)).

Options

Lock



\$44 ea.

Prices

Dimensions A B C	Front finish (see Appendix A for further details)	
	Std	Hg
201551	1009	1092
201851	1036	1138
241551	1045	1128
241851	1075	1177
201554	1009	1092
201854	1036	1138
241554	1045	1128
241854	1075	1177
201560	1033	1128
201860	1065	1180
241560	1074	1168
241860	1106	1218
201564	1058	1163
201864	1090	1216
241564	1103	1208
241864	1134	1262
201566	1058	1163
201866	1090	1216
241566	1103	1208
241866	1134	1262

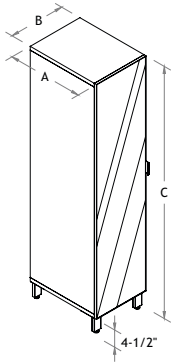
How to Order

	A B C	VL VR	WH BL SN CHR (std)	H052 (std)	LKBL LKSN
LV					
series	dimensions	product	metal finish (Appx. A)	handle (p. 149)	lock (p. 154)
Example LV	241860	VL	CHR	H052	LKSN

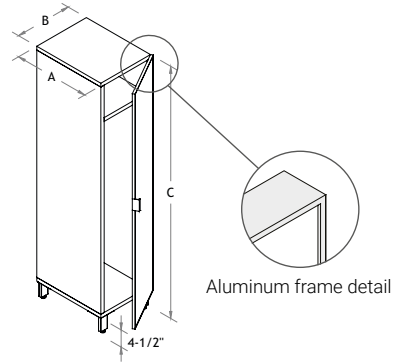
Floor Storage

Wardrobe Towers

VL - Glass Doors



VR - Glass Doors



Manufacturing Standards

- Wardrobe with 1 soft close door;
- Frosted glass (VS) door with aluminum-frame and built-in handle;
- 1 fixed shelf;
- 1 clothes rail;
- Ventilation grill in back;
- Chrome-finish metal legs.

Color Glass: See [Appendix A](#) for other glass color choices, V5, KB, KS, KR, KE, KO, KM, KA and KG all at the same price as V4.

See [Appendix A](#) for the metal finishes available (no extra charge).

Prices

Dimensions A B C	Door insert (see Appendix A for further details)		
	VS	PL	V4
201551	1512	1601	1818
201851	1569	1681	1941
241551	1551	1644	1862
241851	1613	1727	1988
201554	1512	1601	1818
201854	1569	1681	1941
241554	1551	1644	1862
241854	1613	1727	1988
201560	1565	1672	1913
201860	1629	1756	2050
241560	1610	1715	1959
241860	1677	1805	2097
201564	1618	1738	2008
201864	1691	1829	2156
241564	1671	1785	2056
241864	1740	1882	2203
201566	1618	1738	2008
201866	1691	1829	2156
241566	1671	1785	2056
241866	1740	1882	2203

How to Order

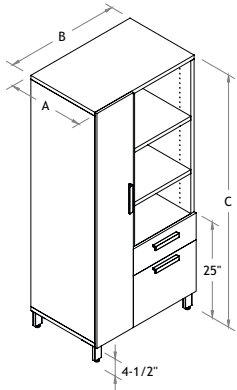
LV	A B C	VL VR	V4 PL VS (std)	WH BL SN CHR (std)
series	dimensions	product	insert (Appx. A)	metal finish (Appx. A)

Example LV 201860 VL VS CHR

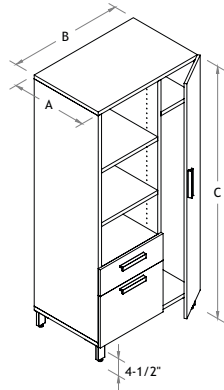
Floor Storage

Wardrobe Towers

UN05L



UN05R



Manufacturing Standards

- Wardrobe section with 1 soft close door, 1 fixed shelf, 1 clothes rail and ventilation grill in back;
- Bookcase storage with adjustable shelves;
- 1 utility drawer;
- 1 file drawer for letter and legal formats;
- Chrome-finish H052 metal handle;
- Chrome-finish metal legs;
- Vertical wood grain on front.

51" to 60": 1 adjustable shelf
 64" to 66": 2 adjustable shelves

See [Appendix A](#) for the metal finishes available (no extra charge).

Specify if different handle desired (no extra charge, see [p. 149](#)).

Options

Lock



\$44 ea.

Prices

Dimensions A B C	Front finish (see Appendix A for further details)	
	Std	Hg
203051	1672	1777
243051	1744	1850
203054	1672	1777
243054	1744	1850
203060	1778	1893
243060	1850	1976
203064	1814	1936
243064	1903	2024
203066	1814	1936
243066	1903	2024

How to Order

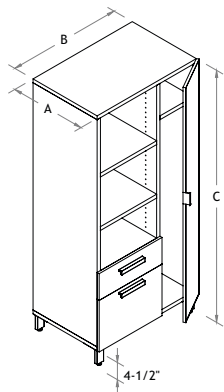
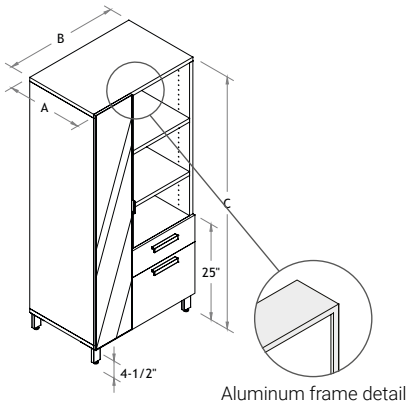
	A B C	UN05L UN05R	WH BL SN CHR (std)	H052 (std)	LKBL LKSN	
LV						
series	dimensions	product	metal finish (Appx. A)	handle (p. 149)	lock (p. 154)	
Example	LV	243060	UN05L	CHR	H052	LKSN

Floor Storage

Wardrobe Towers

UN05L - Glass Doors

UN05R - Glass Doors



Manufacturing Standards

- Wardrobe section with 1 soft close door, 1 fixed shelf, 1 clothes rail and ventilation grill in back;
- Frosted glass (VS) doors with aluminum-frame and built-in handle;
- Bookcase storage with adjustable shelves;
- 1 utility drawer;
- 1 file drawer for letter and legal formats;
- Chrome-finish H052 metal handle;
- Chrome-finish metal legs;
- Vertical wood grain on front.

51" to 60": 1 adjustable shelf
 64" to 66": 2 adjustable shelves

Color Glass: See [Appendix A](#) for other glass color choices, V5, KB, KS, KR, KE, KO, KM, KA and KG all at the same price as V4.

See [Appendix A](#) for the metal finishes available (no extra charge).

Specify if different handle desired (no extra charge, see [p. 149](#)).

Options

Lock

Not available on glass doors



\$44 ea.

Prices

Dimensions A B C	Door insert (see Appendix A for further details)		
	VS	PL	V4
203051	2232	2301	2460
243051	2318	2389	2547
203054	2232	2301	2460
243054	2318	2389	2547
203060	2381	2457	2637
243060	2478	2556	2733
203064	2447	2532	2730
243064	2545	2633	2832
203066	2447	2532	2730
243066	2545	2633	2832
Glass doors and High Gloss front finish (see Appendix A for further details)			
203051	2283	2352	2513
243051	2371	2441	2599
203054	2283	2352	2513
243054	2371	2441	2599
203060	2432	2511	2689
243060	2529	2606	2785
203064	2496	2582	2781
243064	2599	2685	2882
203066	2496	2582	2781
243066	2599	2685	2882

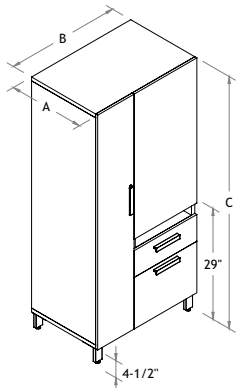
How to Order

LV	A B C	UN05L UN05R	V4 PL VS (std)	WH BL SN CHR (std)	H052 (std)	LKBL LKSN	
series	dimensions	product	insert (Appx. A)	metal finish (Appx. A)	handle (p. 149)	lock (p. 154)	
Example	LV	243060	UN05L	VS	CHR	H052	LKSN

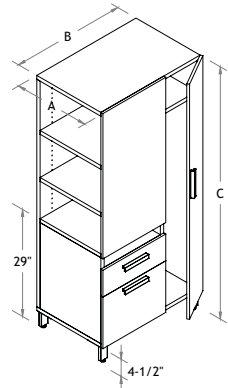
Floor Storage

Wardrobe Towers

UN06L



UN06R



Manufacturing Standards

- Wardrobe section with 1 soft close door, 1 fixed shelf, 1 clothes rail and ventilation grill in back;
- Chrome-finish H052 metal handle;
- Bookcase storage on the side, with adjustable shelves;
- 1 section with 1 pigeonhole unit, 1 utility drawer and 1 file drawer for letter and legal formats;
- Chrome-finish metal legs;
- Vertical wood grain on front.

51" to 60": 1 adjustable shelf
64" to 66": 2 adjustable shelves

See [Appendix A](#) for the metal finishes available (no extra charge).

Specify if different handle desired (no extra charge, see [p. 149](#)).

Options

Lock



\$44 ea.

Prices

Dimensions A B C	Front finish (see Appendix A for further details)	
	Std	Hg
203051	1784	1944
243051	1859	2011
203054	1784	1944
243054	1859	2011
203060	1823	2003
243060	1893	2072
203064	1934	2135
243064	2011	2208
203066	1934	2135
243066	2011	2208

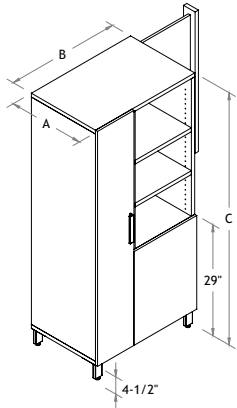
How to Order

LV	A B C	UN06L UN06R	WH BL SN CHR (std)	H052 (std)	LKBL LKSN
series	dimensions	product	metal finish (Appx. A)	handle (p. 149)	lock (p. 154)
Example LV	243060	UN06L	CHR	H052	LKSN

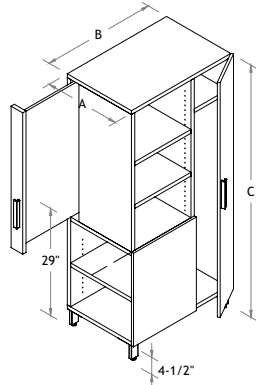
Floor Storage

Wardrobe Towers

UN07L



UN07R



Manufacturing Standards

- Wardrobe section with 1 soft close door, 1 fixed shelf, 1 clothes rail and ventilation grill in back;
- 2 bookcase sections with adjustable shelves;
- Sliding white board with chrome-finish H052 metal handle;
- Chrome-finish metal legs;
- Vertical wood grain on front.

51" to 60": 2 adjustable shelves
64" to 66": 3 adjustable shelves

See [Appendix A](#) for the metal finishes available (no extra charge).

Specify if different handle desired (no extra charge, see [p. 149](#)).

Options

Lock



\$44 ea.

Prices

Dimensions A B C	Front finish (see Appendix A for further details)	
	Std	Hg
203051	2185	2292
243051	2248	2356
203054	2185	2292
243054	2248	2356
203060	2265	2378
243060	2332	2447
203064	2410	2533
243064	2489	2609
203066	2410	2533
243066	2489	2609

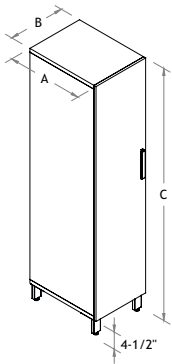
How to Order

	A B C	UN07L UN07R	WH BL SN CHR (std)	H052 (std)	LKBL LKSN	
LV						
series	dimensions	product	metal finish (Appx. A)	handle (p. 149)	lock (p. 154)	
Example	LV	243060	UN07L	CHR	H052	LKSN

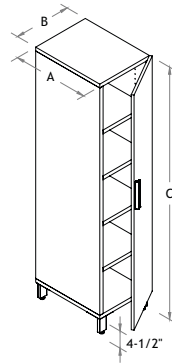
Floor Storage

Storage Towers

ARL



ARR



Manufacturing Standards

- Cabinet with 1 soft close door;
- Adjustable shelves;
- Chrome-finish H052 metal handle;
- Chrome-finish metal legs;
- Vertical wood grain on front.

51" to 60": 3 adjustable shelves
64" to 66": 4 adjustable shelves

See [Appendix A](#) for the metal finishes available (no extra charge).

Specify if different handle desired (no extra charge, see [p. 149](#)).

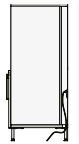
Options

Lock



\$44 ea.

Electrical Wire Management



\$0

Prices

Dimensions A B C	Front finish (see Appendix A for further details)	
	Std	Hg
201551	1122	1203
201851	1155	1258
241551	1163	1248
241851	1204	1305
201554	1122	1203
201854	1155	1258
241554	1163	1248
241854	1204	1305
201560	1149	1242
201860	1185	1297
241560	1193	1287
241860	1235	1347
201564	1242	1347
201864	1282	1408
241564	1292	1399
241864	1340	1465
201566	1242	1347
201866	1282	1408
241566	1292	1399
241866	1340	1465

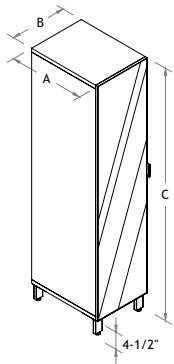
How to Order

LV	A B C	ARL ARR	EM	WH BL SN CHR (std)	H052 (std)	LKBL LKSN
series	dimensions	product	electricity (Appx. K)	metal finish (Appx. A)	handle (p. 149)	lock (p. 154)
Example LV	241860	ARL	EM	CHR	H052	LKSN

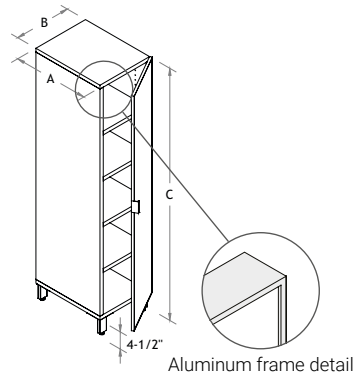
Floor Storage

Storage Towers

ARL - Glass Doors



ARR - Glass Doors



Manufacturing Standards

- Cabinet with 1 soft close door;
- Frosted glass (VS) door with aluminum-frame and built-in handle;
- Adjustable shelves;
- Chrome-finish metal legs.

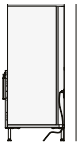
51" to 60": 3 adjustable shelves
 64" to 66": 4 adjustable shelves

Color Glass: See [Appendix A](#) for other glass color choices, V5, KB, KS, KR, KE, KO, KM, KA and KG all at the same price as V4.

See [Appendix A](#) for the metal finishes available (no extra charge).

Options

Electrical Wire Management



\$0

How to Order

LV	A B C	ARL ARR	EM	V4 PL VS (std)	WH BL SN CHR (std)
series	dimensions	product	electricity (Appx. K)	insert (Appx. A)	metal finish (Appx. A)

Example LV 201860 ARL EM VS CHR

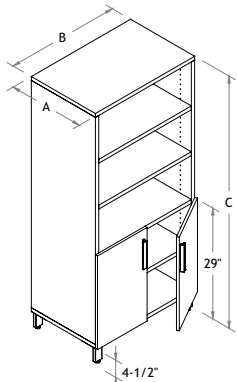
Prices

Dimensions A B C	Door insert (see Appendix A for further details)		
	VS	PL	V4
201551	1640	1734	1950
201851	1703	1818	2081
241551	1689	1784	2000
241851	1760	1873	2134
201554	1640	1734	1950
201854	1703	1818	2081
241554	1689	1784	2000
241854	1760	1873	2134
201560	1694	1804	2043
201860	1767	1893	2185
241560	1747	1852	2098
241860	1823	1950	2243
201564	1828	1878	2217
201864	1909	2051	2375
241564	1889	2007	2275
241864	1974	2117	2441
201566	1828	1878	2217
201866	1909	2051	2375
241566	1889	2007	2275
241866	1974	2117	2441

Floor Storage

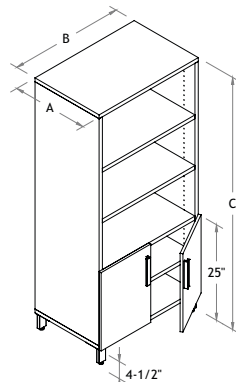
Storage Towers

UN13D



Door height: 29"

UN13P



Door height: 25"

Manufacturing Standards

- Bookcase section with adjustable shelves;
- Cabinet section with 2 soft close doors, 1 adjustable shelf and chrome-finish H052 metal handles;
- Chrome-finish metal legs;
- Vertical wood grain on front.

51" to 54": 2 adjustable shelves
60" to 66": 3 adjustable shelves

See [Appendix A](#) for the metal finishes available (no extra charge).

Specify if different handle desired (no extra charge, see [p. 149](#)).

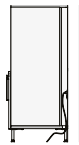
Options

Lock



\$44 ea.

Electrical Wire Management



\$0

Prices

Dimensions A B C	Front finish (see Appendix A for further details)	
	Std	Hg
203051	1177	1251
243051	1232	1307
203054	1177	1251
243054	1232	1307
203060	1277	1350
243060	1340	1413
203064	1298	1373
243064	1364	1439
203066	1298	1373
243066	1364	1439

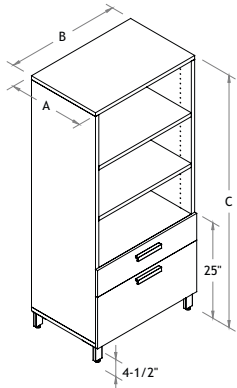
How to Order

LV	A B C	UN13D UN13P	EM	WH BL SN CHR (std)	H052 (std)	LKBL LKSN
series	dimensions	product	electricity (Appx. K)	metal finish (Appx. A)	handle (p. 149)	lock (p. 154)
Example LV	243060	UN13D	EM	CHR	H052	LKSN

Floor Storage

Storage Towers

UN14



Manufacturing Standards

- Bookcase section with adjustable shelves;
- 1 utility drawer with built-in divider;
- 1 file drawer for letter and legal formats;
- Chrome-finish H052 metal handle on drawer fronts;
- Chrome-finish metal legs;
- Vertical wood grain on front.

51" to 54": 1 adjustable shelf
 60" to 66": 2 adjustable shelves

See [Appendix A](#) for the metal finishes available (no extra charge).

Specify if different handle desired (no extra charge, see [p. 149](#)).

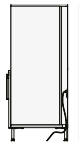
Options

Lock



\$44 ea.

Electrical Wire Management



\$0

Prices

Dimensions A B C	Front finish (see Appendix A for further details)	
	Std	Hg
203051	1292	1355
243051	1341	1404
203054	1292	1355
243054	1341	1404
203060	1390	1454
243060	1448	1513
203064	1411	1475
243064	1473	1535
203066	1411	1475
243066	1473	1535

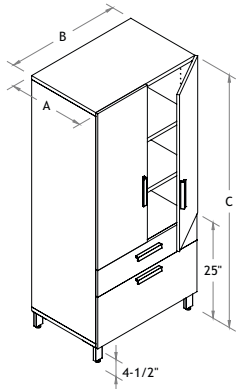
How to Order

LV	ABC	UN14	EM	WH BL SN CHR (std)	H052 (std)	LKBL LKSN	
series	dimensions	product	electricity (Appx. K)	metal finish (Appx. A)	handle (p. 149)	lock (p. 154)	
Example	LV	243060	UN14	EM	CHR	H052	LKSN

Floor Storage

Storage Towers

UN16



Manufacturing Standards

- Cabinet section with 2 soft close doors;
- Adjustable shelves;
- 1 utility drawer with built-in divider;
- 1 lateral file drawer for letter and legal formats;
- Chrome-finish H052 metal handle;
- Chrome-finish metal legs;
- Vertical wood grain on front.

51" to 54": 1 adjustable shelf
60" to 66": 2 adjustable shelves

See [Appendix A](#) for the metal finishes available (no extra charge).

Specify if different handle desired (no extra charge, see [p. 149](#)).

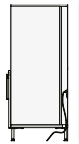
Options

Lock



\$44 ea.

Electrical Wire Management



\$0

Prices

Dimensions A B C	Front finish (see Appendix A for further details)	
	Std	Hg
203051	1493	1644
243051	1540	1691
203054	1493	1644
243054	1540	1691
203060	1602	1770
243060	1657	1828
203064	1635	1820
243064	1693	1878
203066	1635	1820
243066	1693	1878

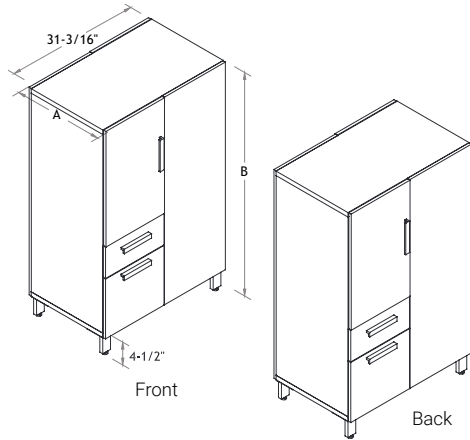
How to Order

LV	A B C	UN16	EM	WH BL SN CHR (std)	H052 (std)	LKBL LKSN
series	dimensions	product	electricity (Appx. K)	metal finish (Appx. A)	handle (p. 149)	lock (p. 154)
Example LV	243060	UN16	EM	CHR	H052	LKSN

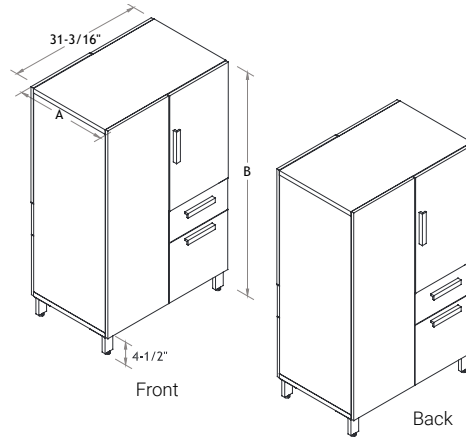
Floor Storage

Shared Storage Towers

UND03L



UND03R



Manufacturing Standards

- Cabinet on each side with 1 soft close door;
- Adjustable shelves;
- 1 utility drawer per side;
- 1 file drawer per side for letter and legal formats;
- Chrome-finish H052 metal handle;
- Chrome-finish metal legs;
- Vertical wood grain on front.

51" to 54": 1 adjustable shelf
60" to 66": 2 adjustable shelves

See [Appendix A](#) for the metal finishes available (no extra charge).

Specify if different handle desired (no extra charge, see [p. 149](#)).

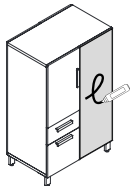
Options

Lock



\$44 ea.

Marker Board



MB

\$447

Prices

Dimensions A B	Front finish (see Appendix A for further details)	
	Std	Hg
2051	1892	2176
2054	1931	2219
2060	1968	2264
2064	2007	2306
2066	2043	2351
2451	2108	2426
2454	2145	2470
2460	2184	2513
2464	2223	2557
2466	2262	2601

How to Order

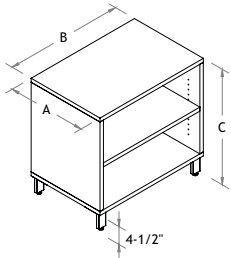
LV	A B	UND03L UND03R	WH BL SN CHR (std)	MB	H052 (std)	LKBL LKSN
series	dimensions	product	metal finish (Appx. A)	marker board	handle (p. 149)	lock (p. 154)
Example	LV	2060	UND03L	CHR	H052	LKSN

Floor Storage

Bookcases

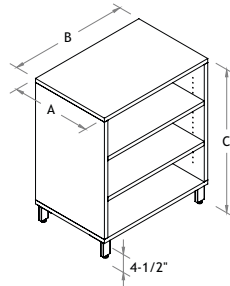
BBL 29

29" high - 1 adjustable shelf



BBL 36

36" high - 2 adjustable shelves



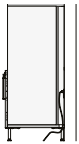
Manufacturing Standards

- Bookcase with adjustable shelves;
- Chrome-finish metal legs.

See [Appendix A](#) for the metal finishes available (no extra charge).

Options

Electrical Wire Management



\$0

How to Order

LV	A B C	BBL	EM	WH BL SN CHR (std)
series	dimensions	product	electricity (Appx. K)	metal finish (Appx. A)

Example LV 243036 BBL EM CHR

Prices

BBL 29

Dimensions

A	B	C
162429	708	
163029	734	
163629	759	
182429	731	
183029	759	
183629	792	
202429	747	
203029	777	
203629	811	
242429	776	
243029	814	
243629	851	

BBL 36

Dimensions

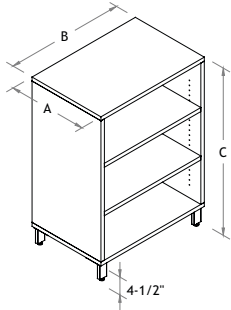
A	B	C
162436	802	
163036	836	
163636	874	
182436	833	
183036	874	
183636	910	
202436	855	
203036	895	
203636	936	
242436	891	
243036	941	
243636	989	

Floor Storage

Bookcases

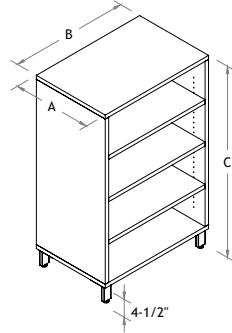
BBL 42

42" high - 2 adjustable shelves



BBL 48

48" high - 3 adjustable shelves



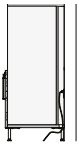
Manufacturing Standards

- Bookcase with adjustable shelves;
- Chrome-finish metal legs.

See [Appendix A](#) for the metal finishes available (no extra charge).

Options

Electrical Wire Management



\$0

How to Order

LV	A B C	BBL	EM	WH BL SN CHR (std)
series	dimensions	product	electricity (Appx. K)	metal finish (Appx. A)

Example LV 243048 BBL EM CHR

Prices

BBL 42

Dimensions

A	B	C
162442	823	
163042	859	
163642	895	
182442	856	
183042	895	
183642	935	
202442	877	
203042	920	
203642	962	
242442	919	
243042	967	
243642	1016	

BBL 48

Dimensions

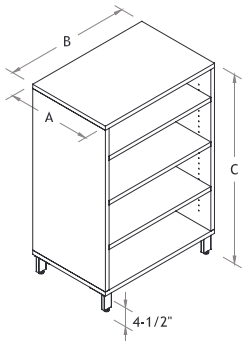
A	B	C
162448	916	
163048	960	
163648	1001	
182448	954	
183048	1001	
183648	1052	
202448	978	
203048	1031	
203648	1085	
242448	1030	
243048	1090	
243648	1151	

Floor Storage

Bookcases

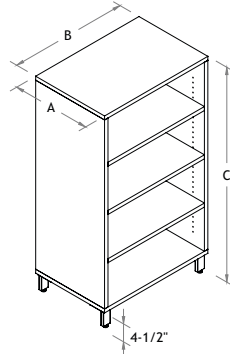
BBL 51

51" high - 3 adjustable shelves



BBL 54

54" high - 3 adjustable shelves



Manufacturing Standards

- Bookcase with adjustable shelves;
- Chrome-finish metal legs.

See [Appendix A](#) for the metal finishes available (no extra charge).

Prices

BBL 51

Dimensions

A	B	C
162451		999
163051		1046
163651		1090
182451		1040
183051		1090
183651		1142
202451		1068
203051		1122
203651		1177
242451		1122
243051		1185
243651		1244

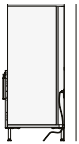
BBL 54

Dimensions

A	B	C
162454		999
163054		1046
163654		1090
182454		1040
183054		1090
183654		1142
202454		1068
203054		1122
203654		1177
242454		1122
243054		1185
243654		1244

Options

Electrical Wire Management



\$0

How to Order

LV	A B C	BBL	EM	WH BL SN CHR (std)
series	dimensions	product	electricity (Appx. K)	metal finish (Appx. A)

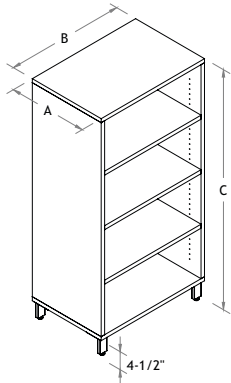
Example LV 243054 BBL EM CHR

Floor Storage

Bookcases

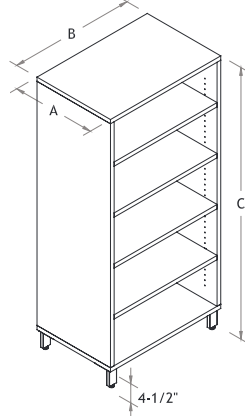
BBL 60

60" high - 3 adjustable shelves



BBL 64

64" high - 4 adjustable shelves



Manufacturing Standards

- Bookcase with adjustable shelves;
- Chrome-finish metal legs.

See [Appendix A](#) for the metal finishes available (no extra charge).

Prices

BBL 60

Dimensions

A	B	C
162460	1019	
163060	1067	
163660	1114	
182460	1061	
183060	1115	
183660	1166	
202460	1090	
203060	1148	
203660	1204	
242460	1149	
243060	1211	
243660	1275	

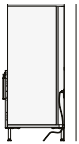
BBL 64

Dimensions

A	B	C
162464	1112	
163064	1166	
163664	1221	
182464	1161	
183064	1221	
183664	1284	
202464	1193	
203064	1259	
203664	1325	
242464	1259	
243064	1332	
243664	1408	

Options

Electrical Wire Management



\$0

How to Order

LV	A B C	BBL	EM	WH BL SN CHR (std)
series	dimensions	product	electricity (Appx. K)	metal finish (Appx. A)

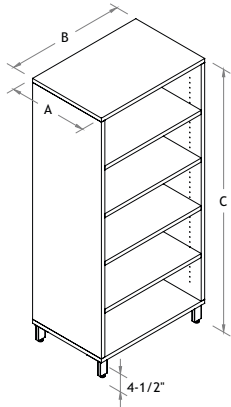
Example LV 243064 BBL EM CHR

Floor Storage

Bookcases

BBL 66

66" high - 4 adjustable shelves



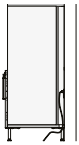
Manufacturing Standards

- Bookcase with adjustable shelves;
- Chrome-finish metal legs.

See [Appendix A](#) for the metal finishes available (no extra charge).

Options

Electrical Wire Management



\$0

Prices

BBL 66

Dimensions

A	B	C
162466	1112	
163066	1166	
163666	1221	
182466	1161	
183066	1221	
183666	1284	
202466	1193	
203066	1259	
203666	1325	
242466	1259	
243066	1332	
243666	1408	

How to Order

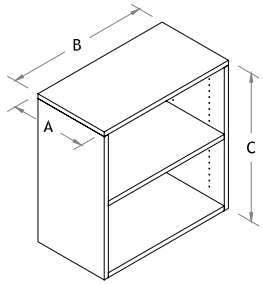
LV	A B C	BBL	EM	WH BL SN CHR (std)
series	dimensions	product	electricity (Appx. K)	metal finish (Appx. A)

Example LV 243066 BBL EM CHR

Storage Units

Surface Units

HBBL



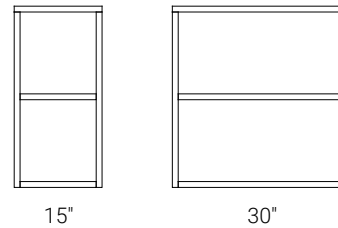
Manufacturing Standards

- Surface bookcase with adjustable shelf/shelves.

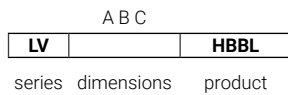
25"H to 31"H: 1 adjustable shelf
37"H: 2 adjustable shelves

Prices

Dimensions	
A	B C
161525	483
163025	545
161531	499
163031	563
161537	513
163037	581



How to Order

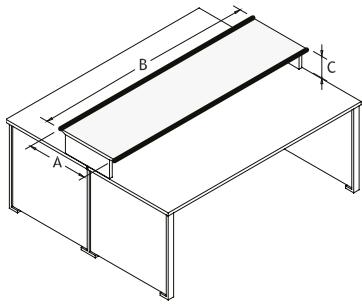


Example LV 163031 HBBL

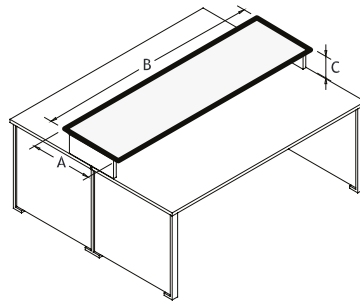
Storage Units

Shelf for Shared Desks

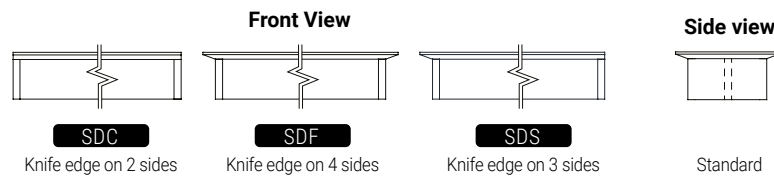
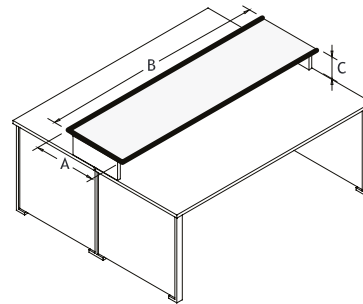
SDC



SDF



SDS



Manufacturing Standards

- Delivered disassembled;
- 1" laminate top with knife edge;
- Work surface mounting hardware.

Prices

Dimensions	
A	B C
113007	365
113607	386
114207	405
114807	425
115407	471
116007	492
116607	515
117207	533
117807	557
118407	576
143007	392
143607	417
144207	442
144807	466
145407	521
146007	546
146607	570
147207	595
147807	620
148407	645
203007	446
203607	482
204207	513
204807	549
205407	611
206007	644
206607	680
207207	714
207807	749
208407	783

How to Order

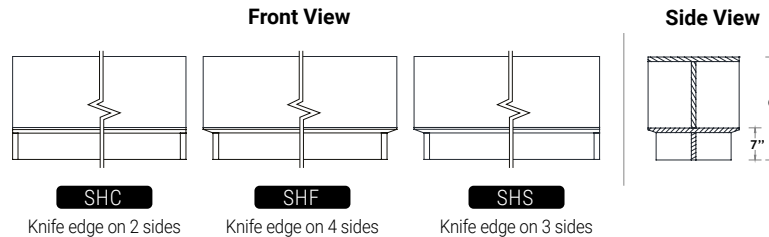
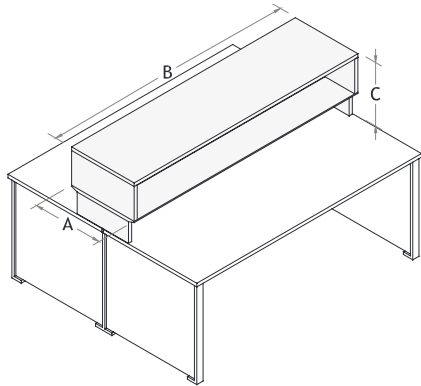
LV	A B C	SDC SDF SDS
series	dimensions	product

Example LV 207207 SDS

Storage Units

Shelf for Shared Desks

SH



Manufacturing Standards

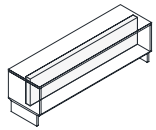
- Delivered disassembled;
- 1" laminate shelf with integrated hutch and knife edge, 17"H;
- Work surface mounting hardware.

Prices

Dimensions	
A	B C
113017	530
113617	560
114217	586
114817	614
115417	668
116017	695
116617	722
117217	752
117817	778
118417	803
143017	565
143617	597
144217	630
144817	663
145417	721
146017	755
146617	792
147217	821
147817	856
148417	887
203017	631
203617	676
204217	718
204817	762
205417	833
206017	877
206617	921
207217	963
207817	1007
208417	1051

Options

Tackboard



BA
See [Appendix C](#) for how to specify upholstery

GRA	GR1	GR2	GR3	GR4	GR5	GR6	GR7	GR8	GR9	GR10	GR11	GR12	Leather	
BA	\$625	\$658	\$702	\$746	\$801	\$856	\$911	\$966	\$1021	\$1076	\$1131	\$1241	\$1351	\$1259

How to Order

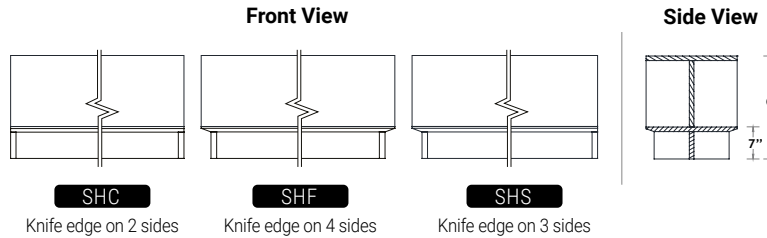
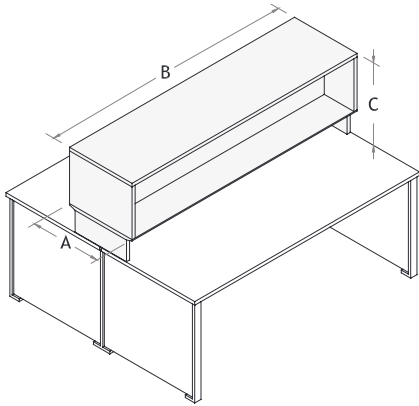
LV	A B C	SHC SHF SHS	BA
series	dimensions	product	tackboard

Example LV 207217 SHC BA

Storage Units

Shelf for Shared Desks

SH



Manufacturing Standards

- Delivered disassembled;
- 1" laminate shelf with integrated hutch and knife edge, 22"H;
- Work surface mounting hardware.

Prices

Dimensions	
A	B C
113022	546
113622	572
114222	603
114822	630
115422	687
116022	715
116622	747
117222	775
117822	802
118422	833
143022	578
143622	612
144222	646
144822	683
145422	743
146022	776
146622	813
147222	845
147822	881
148422	916
203022	645
203622	690
204222	736
204822	779
205422	853
206022	898
206622	946
207222	990
207822	1033
208422	1079

Options

Tackboard



BA

See [Appendix C](#) for how to specify upholstery

GRA	GR1	GR2	GR3	GR4	GR5	GR6	GR7	GR8	GR9	GR10	GR11	GR12	Leather	
BA	\$625	\$658	\$702	\$746	\$801	\$856	\$911	\$966	\$1021	\$1076	\$1131	\$1241	\$1351	\$1259

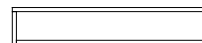
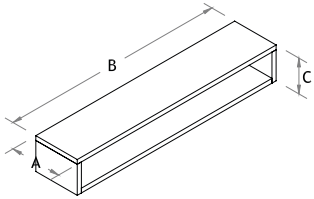
How to Order

LV	A B C	SHC SHF SHS	BA
series	dimensions	product	tackboard
Example LV	207222	SHC	BA

Storage Units

Wall Hutches

WWST



15" to 54" wide



60" to 84" wide

Manufacturing Standards

- 5/8" laminate construction;
- Z-bar wall mount;
- Closed back.

Actual exterior height (C): 7-5/8"

Interior height: 6-1/4"

Attention: Logiflex is not responsible for the installation of wall hutches. This responsibility belongs entirely to the distributor or the client.

Prices

Dimensions

A B C

101507 410

102407 424

103007 436

103607 445

104207 454

104807 523

105407 530

106007 614

106607 646

107207 656

107807 666

108407 678

How to Order

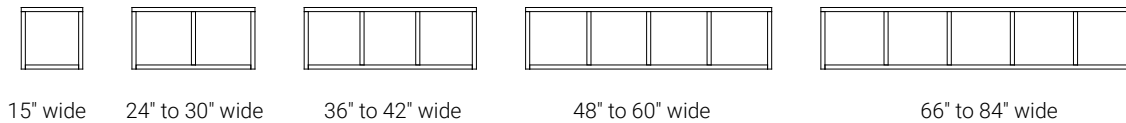
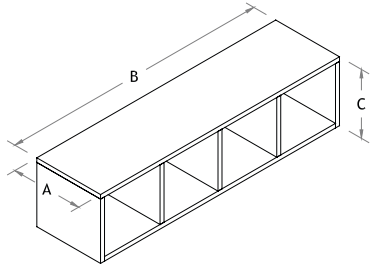
A B C		
LV		WWST
series	dimensions	product

Example LV 104807 WWST

Storage Units

Wall Hutches

HOW



Manufacturing Standards

- Open wall unit;
- Z-bar wall mount.

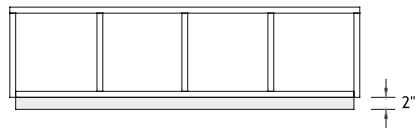
Interior height: 13".

Dividers: Offered as option. Pre-drilled holes for dividers (DVD), set of 3 wire dividers included.

Attention: Logiflex is not responsible for the installation of wall hutches. This responsibility belongs entirely to the distributor or the client.

Options

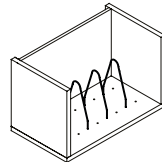
Task-Light Concealer



TV

\$151

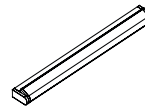
Pre-drilled Holes with 3 Dividers



DVD

\$29

Task Light



\$\$

Prices

Dimensions

A	B	C
161515	408	
162415	491	
163015	507	
163615	581	
164215	597	
164815	729	
165415	747	
166015	762	
166615	859	
167215	877	
167815	890	
168415	908	

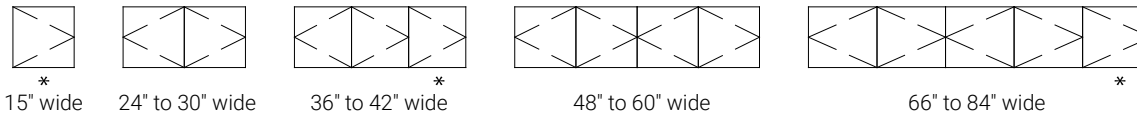
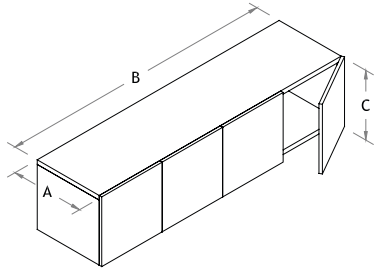
How to Order

LV	ABC	HOW	TV	DVD	T524 T536 T548 DEL20
series	dimensions	product	task-light concealer	dividers	task light (p. 162)
Example LV	164815	HOW	TV	DVD	

Storage Units

Wall Hutches

ARW



* Specify which direction the single door opens, right (R) or left (L).

Manufacturing Standards

- 1-, 2-, 3-, 4- or 5-door cabinet;
- Vertical wood grain on front;
- Z-bar wall mount.

Interior height: 12-1/4".

Dividers: Offered as option. Pre-drilled holes for dividers (DVD), set of 3 wire dividers included.

Handles: To add handles, please choose from the Logiflex list, see p. 159. Add \$14 retail each.

Attention: Logiflex is not responsible for the installation of wall hutches. This responsibility belongs entirely to the distributor or the client.

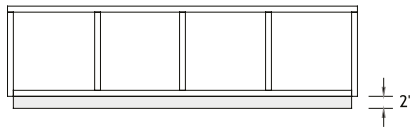
Options

Lock



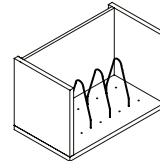
\$44 ea.

Task-Light Concealer



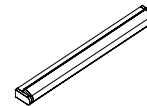
TV
\$151

Pre-drilled Holes with 3 Dividers



DVD
\$29

Task Light



\$\$

How to Order

LV	ABC	ARW	L R (std)	TV	LKBL LKSN	DVD	handle task light	T524 T536 T548 DEL20
series	dimensions	product	single door direction	task-light concealer	lock (p. 154)	dividers	handle (p. 149) task light (p. 162)	
Example	LV 164215	ARW	R	TV	LKSN	DVD		

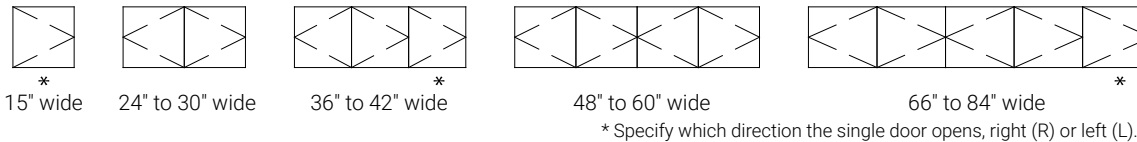
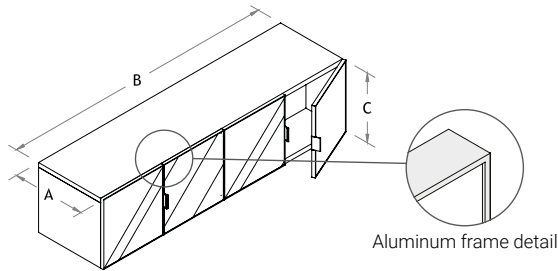
Prices

Dimensions A B C	Front finish (see Appendix A for further details)	
	Std	Hg
161515	467	503
162415	569	607
163015	589	636
163615	729	783
164215	751	814
164815	887	960
165415	909	991
166015	930	1020
166615	1088	1191
167215	1111	1218
167815	1130	1250
168415	1152	1280

Storage Units

Wall Hutches

ARW - Glass Doors



Manufacturing Standards

- Cabinet with 1, 2, 3, 4 or 5 soft close doors;
- Frosted glass (VS) doors with aluminum-frame and built-in handle;
- Z-bar wall mount.

Interior height: 12-1/4".

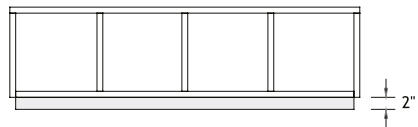
Dividers: Offered as option. Pre-drilled holes for dividers (DVD), set of 3 wire dividers included.

Color Glass: See Appendix A for other glass color choices, V5, KB, KS, KR, KE, KO, KM, KA and KG all at the same price as V4.

Attention: Logiflex is not responsible for the installation of wall hutches. This responsibility belongs entirely to the distributor or the client.

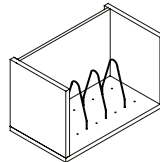
Options

Task-Light Concealer



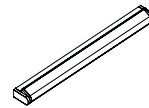
TV
\$151

Pre-drilled Holes with 3 Dividers



DVD
\$29

Task Light



SS

Prices

Dimensions A B C	Door insert (see Appendix A for further details)		
	VS	PL	V4
161515	705	729	790
162415	940	978	1073
163015	987	1035	1152
163615	1262	1323	1463
164215	1310	1379	1546
164815	1587	1670	1854
165415	1632	1726	1936
166015	1680	1783	2014
166615	1982	2095	2352
167215	2032	2155	2433
167815	2078	2207	2514
168415	2124	2265	2597

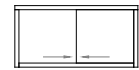
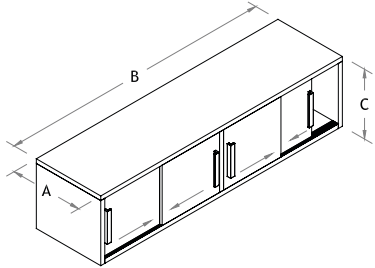
How to Order

LV	ABC	ARW	L R (std)	V4 PL VS (std)	TV	DVD	T524 T536 T548 DEL20
series	dimensions	product	single door direction	insert (Appx. A)	task-light concealer	dividers	task light (p. 162)
Example	LV 164215	ARW	R	VS	TV	DVD	

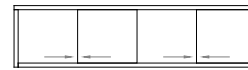
Storage Units

Wall Hutches

SDW



24" to 48" wide



54" to 84" wide

Manufacturing Standards

- Cabinet with 2 or 4 sliding doors;
- Chrome-finish H052 metal handle;
- Vertical wood grain on front;
- Z-bar wall mount.

Interior height: 13".

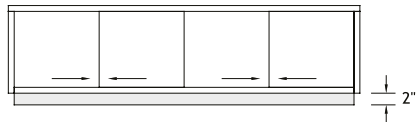
Dividers: Offered as option. Pre-drilled holes for dividers (DVD), set of 3 wire dividers included.

Specify if different handle desired (no extra charge, see p. 149).

Attention: Logiflex is not responsible for the installation of wall hutches. This responsibility belongs entirely to the distributor or the client.

Options

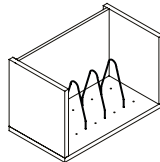
Task-Light Concealer



TV

\$151

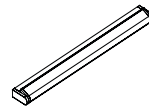
Pre-drilled Holes with 3 Dividers



DVD

\$29

Task Light



\$\$

Prices

Dimensions A B C	Front finish (see Appendix A for further details)	
	Std	Hg
162415	700	731
163015	726	763
163615	753	798
164215	777	832
164815	860	921
165415	1177	1244
166015	1203	1278
166615	1250	1332
167215	1275	1368
167815	1300	1402
168415	1325	1435

How to Order

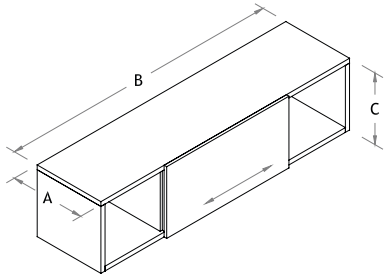
LV	ABC	SDW	TV	H052 (std)	DVD	T524 T536 T548 DEL20
series	dimensions	product	task-light concealer	handle (p. 149)	dividers	task light (p. 162)

Example LV 164815 SDW TV H052 DVD

Storage Units

Wall Hutches

SFW



Manufacturing Standards

- Wall cabinet with 1 sliding door on front;
- Vertical wood grain on front;
- Z-bar wall mount.

Interior height: 13".

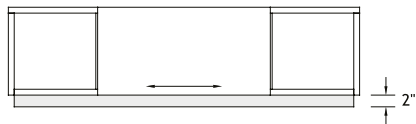
Interior divisions:

- Less than 48" inclusively= divided into 3 sections
- More than 48" = divided into 4 sections

Attention: Logiflex is not responsible for the installation of wall hutches. This responsibility belongs entirely to the distributor or the client.

Options

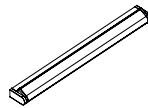
Task-Light Concealer



TV

\$151

Task Light



\$\$

Prices

Dimensions A B C	Front finish (see Appendix A for further details)	
	Std	Hg
163615	756	784
164215	778	812
164815	800	836
165415	880	921
166015	901	948
166615	947	995
167215	967	1021
167815	990	1049
168415	1011	1076

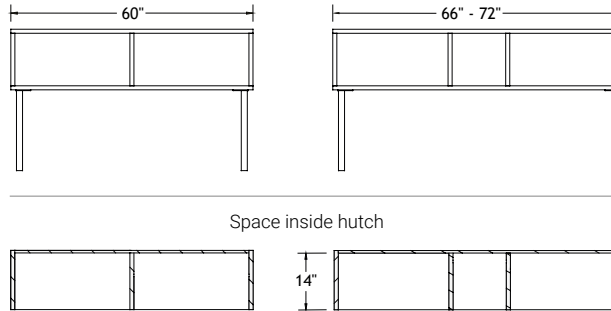
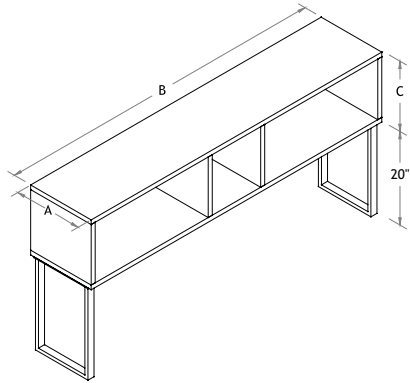
How to Order

LV	ABC	SFW	TV	+
series	dimensions	product	task-light concealer	task light (p. 162)
Example LV	164815	SFW	TV	T524 T536 T548 DEL20

Storage Units

Desk Hutches

HOSB



Manufacturing Standards

- Delivered disassembled;
- Open hutch;
- 20" high chrome-finish metal legs for hutch.

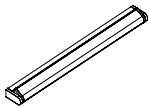
Note: When ordering a divider screen that is between two metal legs, the total length is 6" shorter than the length of the hutch because of the width of the legs. The screen lengths in the adjacent 'Options' price tables have already been adjusted to fit the hutches offered on this page.

Hutches are recessed 1/4" from surfaces they are installed on.

See [Appendix A](#) for the metal finishes available (no extra charge).

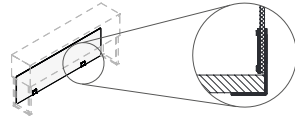
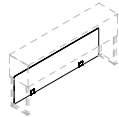
Options

Task Light



SS

Divider Screens



Under surface mount

UMHS - laminate - 5/8"		UBHS - tackboards - 7/8"										COM		Leather		
A	B	GRA	GR1	GR2	GR3	GR4	GR5	GR6	GR7	GR8	GR9	GR10	GR11	GR12		
2060	\$449	2060	\$546	\$579	\$623	\$667	\$722	\$777	\$832	\$887	\$942	\$997	\$1052	\$1162	\$1272	\$1180
2066	\$457	2066	\$556	\$597	\$652	\$707	\$776	\$845	\$913	\$982	\$1051	\$1120	\$1188	\$1326	\$1463	\$1349
2072	\$464	2072	\$575	\$616	\$671	\$726	\$795	\$864	\$932	\$1001	\$1070	\$1139	\$1207	\$1345	\$1482	\$1368

How to Order

LV	ABC	HOSB	WH BL SN CHR (std)	UAHS UMHS UBHS	T524 T536 T548 DEL20
series	dimensions	product	metal finish (Appx. A)	division (Appx. I)	task light (p. 162)
Example	LV 156015	HOSB	CHR	UAHS	

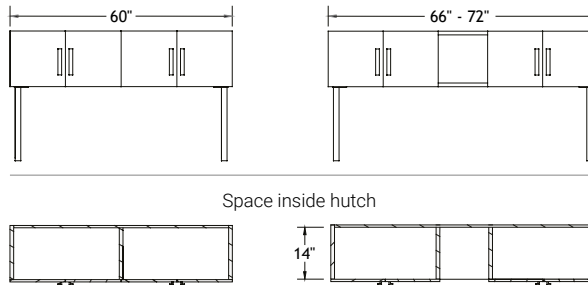
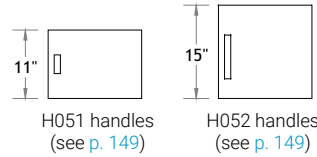
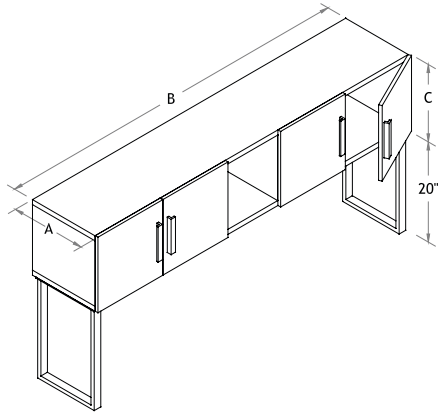
Prices

Dimensions	
A	B C
156011	1170
156611	1248
157211	1271
156015	1189
156615	1282
157215	1305

Storage Units

Desk Hutches

ARSB



Manufacturing Standards

- Delivered disassembled;
- 4 soft close doors;
- Chrome-finish H051 metal handles on 11" high hutch doors and H052 on 15" high hutch doors;
- 20" high chrome-finish metal legs for hutch;
- Vertical wood grain on front.

Note: When ordering a divider screen that is between two metal legs, the total length is 6" shorter than the length of the hutch because of the width of the legs. The screen lengths in the adjacent 'Options' price tables have already been adjusted to fit the hutches offered on this page.

Hutches are recessed 1/4" from surfaces they are installed on.

Specify if different handle desired (no extra charge, see p. 149).

See Appendix A for the metal finishes available (no extra charge).

Options

Lock Task Light Divider Screens



A	B	UMHS - laminate - 5/8"												Leather								
		2060	2066	2072	2060	2066	2072	2060	2066	2072	2060	2066	2072									
		\$449	\$457	\$464	\$546	\$556	\$575	\$579	\$597	\$616	\$623	\$667	\$722	\$777	\$832	\$887	\$942	\$997	\$1052	\$1162	\$1272	\$1180
					\$575	\$597	\$616	\$623	\$667	\$722	\$777	\$832	\$887	\$942	\$997	\$1052	\$1162	\$1272	\$1180	\$1326	\$1463	\$1349
					\$575	\$597	\$616	\$623	\$667	\$722	\$777	\$832	\$887	\$942	\$997	\$1052	\$1162	\$1272	\$1180	\$1326	\$1463	\$1349

How to Order

LV	ABC	ARSB	WH BL SN CHR (std)	UAHS UMHS UBHS	LKBL LKSN	T524 T536 T548 DEL20
series	dimensions	product	metal finish (Appx. A)	division (Appx. I)	lock (p. 154)	task light (p. 162)
Example	LV 156015	ARSB	CHR	UAHS	LKSN	

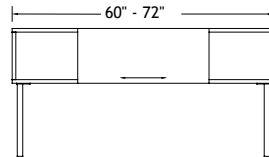
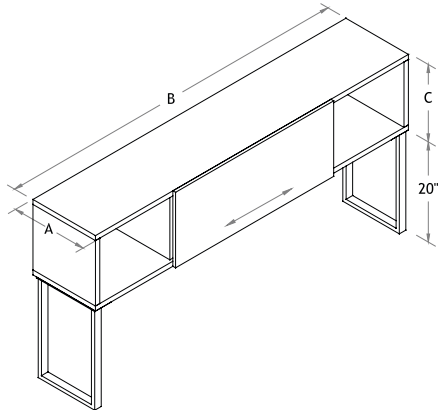
Prices

Dimensions A B C	Front finish (see Appendix A for further details)	
	Std	Hg
156011	1434	1557
156611	1541	1616
157211	1570	1652
156015	1516	1631
156615	1600	1697
157215	1630	1739

Storage Units

Desk Hutches

SFSB



Manufacturing Standards

- Delivered disassembled;
- Open hutch with sliding front;
- 20" high chrome-finish metal legs for hutch;
- Vertical wood grain on front.

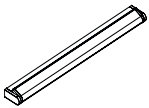
Note: When ordering a divider screen that is between two metal legs, the total length is 6" shorter than the length of the hutch because of the width of the legs. The screen lengths in the adjacent 'Options' price tables have already been adjusted to fit the hutches offered on this page.

Hutches are recessed 1/4" from surfaces they are installed on.

See [Appendix A](#) for the metal finishes available (no extra charge).

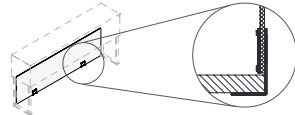
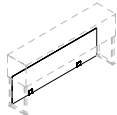
Options

Task Light



SS

Divider Screens



Under surface mount

UMHS - laminate - 5/8"		UBHS - tackboards - 7/8"										COM		Leather		
A	B	GRA	GR1	GR2	GR3	GR4	GR5	GR6	GR7	GR8	GR9	GR10	GR11	GR12		
2060	\$449	2060	\$546	\$579	\$623	\$667	\$722	\$777	\$832	\$887	\$942	\$997	\$1052	\$1162	\$1272	\$1180
2066	\$457	2066	\$556	\$597	\$652	\$707	\$776	\$845	\$913	\$982	\$1051	\$1120	\$1188	\$1326	\$1463	\$1349
2072	\$464	2072	\$575	\$616	\$671	\$726	\$795	\$864	\$932	\$1001	\$1070	\$1139	\$1207	\$1345	\$1482	\$1368

How to Order

LV	A B C	SFSB	WH BL SN CHR (std)	UAHS UMHS UBHS	T524 T536 T548 DEL20
series	dimensions	product	metal finish (Appx. A)	division (Appx. I)	task light (p. 162)

Example LV 156015 SFSB CHR UAHS

Prices

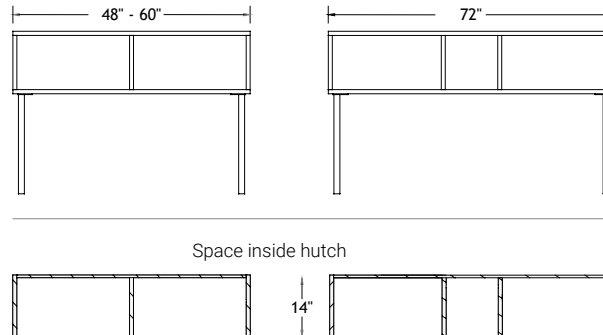
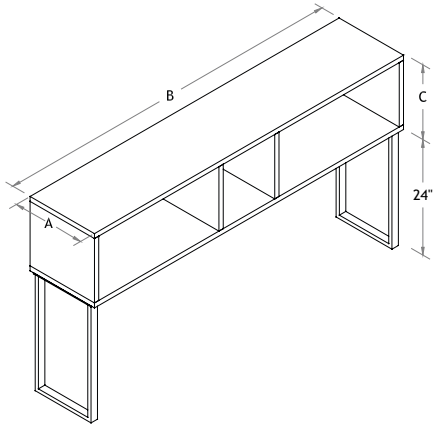
Dimensions A B C	Front finish (see Appendix A for further details)	
	Std	Hg
156011	1287	1327
156611	1319	1363
157211	1347	1397
156015	1324	1380
156615	1357	1416
157215	1388	1455

Storage Units



Storage Hutches

HOSH



Manufacturing Standards

- Delivered disassembled;
- Open hutch;
- 24" high chrome-finish metal legs for hutch.

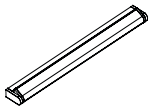
Note: When ordering a divider screen that is between two metal legs, the total length is 6" shorter than the length of the hutch because of the width of the legs. The screen lengths in the adjacent 'Options' price tables have already been adjusted to fit the hutches offered on this page.

Hutches are recessed 1/4" from surfaces they are installed on.

See [Appendix A](#) for the metal finishes available (no extra charge).

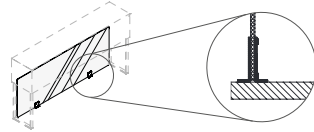
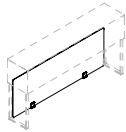
Options

Task Light



SS

Divider Screens



Surface mount

SMHP - laminate - 5/8"		SBHP - tackboards - 7/8"										COM				Leather
A	B	GRA	GR1	GR2	GR3	GR4	GR5	GR6	GR7	GR8	GR9	GR10	GR11	GR12		
2448	\$456	2448	\$545	\$578	\$622	\$666	\$721	\$776	\$831	\$886	\$941	\$996	\$1051	\$1161	\$1271	\$1179
2460	\$470	2460	\$581	\$622	\$677	\$732	\$801	\$870	\$938	\$1007	\$1076	\$1145	\$1213	\$1351	\$1488	\$1374
2472	\$488	2472	\$626	\$667	\$722	\$777	\$846	\$915	\$983	\$1052	\$1121	\$1190	\$1258	\$1396	\$1533	\$1419

How to Order

LV	A B C	HOSH	WH BL SN CHR (std)	SAHP SMHP SBHP	T524 T536 T548 DEL20
series	dimensions	product	metal finish (Appx. A)	division (Appx. I)	task light (p. 162)

Example LV 156015 HOSH CHR SAHP

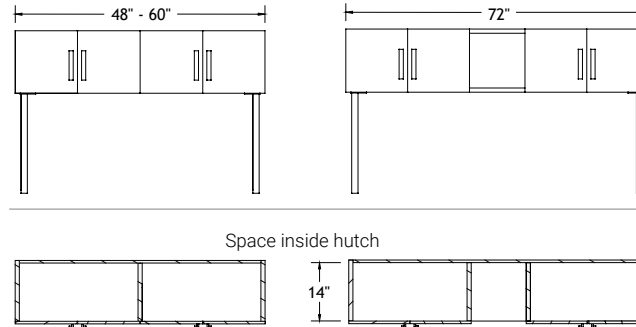
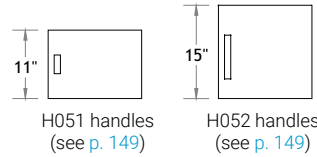
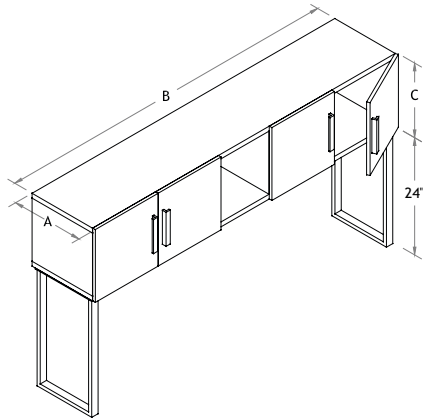
Prices

Dimensions	
A	B C
154811	1218
156011	1290
157211	1390
154815	1239
156015	1309
157215	1427

Storage Units

Storage Hutches

ARSH



Manufacturing Standards

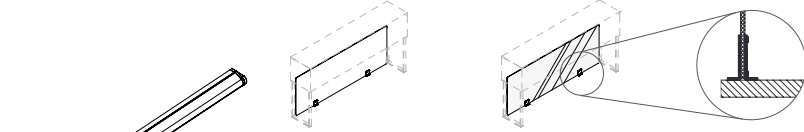
- Delivered disassembled;
- 4 soft close doors;
- Chrome-finish H051 metal handles on 11" high hutch doors and H052 on 15" high hutch doors;
- 24" high chrome-finish metal legs for hutch;
- Vertical wood grain.

Note: When ordering a divider screen that is between two metal legs, the total length is 6" shorter than the length of the hutch because of the width of the legs. The screen lengths in the adjacent 'Options' price tables have already been adjusted to fit the hutches offered on this page.

Hutches are recessed 1/4" from surfaces they are installed on.
Specify if different handle desired (no extra charge, see p. 149).
See Appendix A for the metal finishes available (no extra charge).

Options

Lock Task Light Divider Screens



Surface mount

A	B	SMHP - laminate - 5/8"														Leather
		2448	\$456	2448	\$545	\$578	\$622	\$666	\$721	\$776	\$831	\$886	\$941	\$996	\$1051	
2460	\$470	2460	\$581	\$622	\$677	\$732	\$801	\$870	\$938	\$1007	\$1076	\$1145	\$1213	\$1351	\$1488	\$1374
2472	\$488	2472	\$626	\$667	\$722	\$777	\$846	\$915	\$983	\$1052	\$1121	\$1190	\$1258	\$1396	\$1533	\$1419

\$44 ea. \$\$

How to Order

LV	ABC	ARSH	WH BL SN CHR (std)	SAHP SMHP SBHP	H052 (std)	LKBL LKSN	T524 T536 T548 DEL20
series	dimensions	product	metal finish (Appx. A)	division (Appx. I)	handle (p. 149)	lock (p. 154)	task light (p. 162)

Example LV 156015 ARSH CHR SAHP H052 LKSN

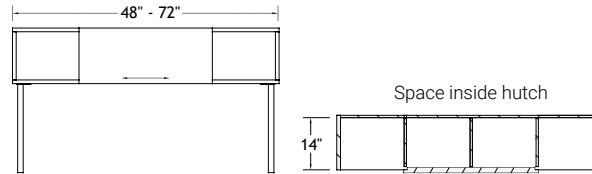
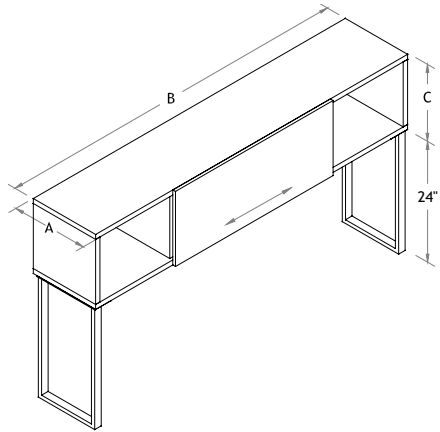
Prices

Dimensions A B C	Front finish (see Appendix A for further details)	
	Std	Hg
154811	1511	1575
156011	1596	1680
157211	1692	1772
154815	1546	1638
156015	1637	1750
157215	1750	1861

Storage Units

Storage Hutches

SFSH



Manufacturing Standards

- Delivered disassembled;
- Hutch open on each side with sliding front;
- 24" high chrome-finish metal legs for hutch;
- Vertical wood grain on front.

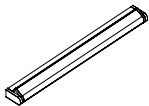
Note: When ordering a divider screen that is between two metal legs, the total length is 6" shorter than the length of the hutch because of the width of the legs. The screen lengths in the adjacent 'Options' price tables have already been adjusted to fit the hutches offered on this page.

Hutches are recessed 1/4" from surfaces they are installed on.

See [Appendix A](#) for the metal finishes available (no extra charge).

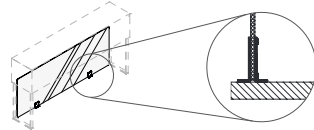
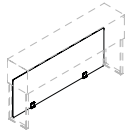
Options

Task Light



SS

Divider Screens



Surface mount

SMHP - laminate - 5/8"		SBHP - tackboards - 7/8"												Leather		
A	B	GRA	GR1	COM GR2	GR3	GR4	GR5	GR6	GR7	GR8	GR9	GR10	GR11	GR12		
2448	\$456	2448	\$545	\$578	\$622	\$666	\$721	\$776	\$831	\$886	\$941	\$996	\$1051	\$1161	\$1271	\$1179
2460	\$470	2460	\$581	\$622	\$677	\$732	\$801	\$870	\$938	\$1007	\$1076	\$1145	\$1213	\$1351	\$1488	\$1374
2472	\$488	2472	\$626	\$667	\$722	\$777	\$846	\$915	\$983	\$1052	\$1121	\$1190	\$1258	\$1396	\$1533	\$1419

How to Order

LV	ABC	SFSH	WH BL SN CHR (std)	SAHP SMHP SBHP	T524 T536 T548 DEL20
series	dimensions	product	metal finish (Appx. A)	division (Appx. I)	task light (p. 162)

Example LV 156015 SFSH CHR SAHP

Prices

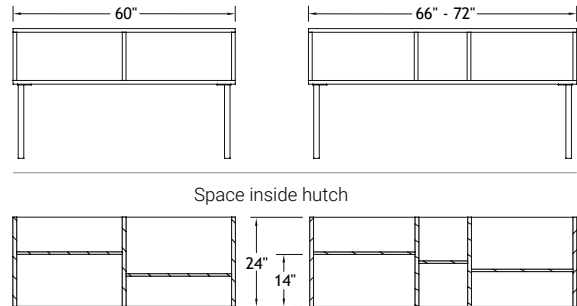
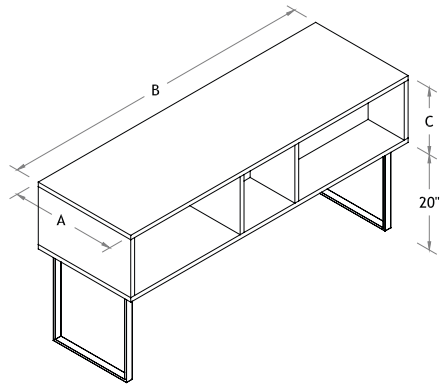
Dimensions A B C	Front finish (see Appendix A for further details)	
	Std	Hg
154811	1325	1359
156011	1409	1452
157211	1469	1518
154815	1357	1386
156015	1446	1502
157215	1512	1578

Storage Units



Shared Desk Hutches

HODB



Manufacturing Standards

- Delivered disassembled;
- Hutch open on each side;
- 20" high chrome-finish metal legs for hutch.

Note: When ordering a divider screen that is between two metal legs, the total length is 6" shorter than the length of the hutch because of the width of the legs. The screen lengths in the adjacent 'Options' price tables have already been adjusted to fit the hutches offered on this page.

See [Appendix A](#) for the metal finishes available (no extra charge).

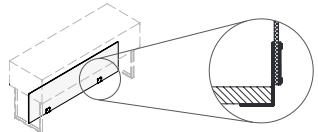
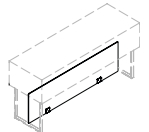
Options

Task Light (2 units)



\$\$

Divider Screens



Under surface mount

UMHS - laminate - 5/8"		UBHS - tackboards - 7/8"					COM										Leather
A	B	GRA	GR1	GR2	GR3	GR4	GR5	GR6	GR7	GR8	GR9	GR10	GR11	GR12			
2060	\$449	2060	\$546	\$579	\$623	\$667	\$722	\$777	\$832	\$887	\$942	\$997	\$1052	\$1162	\$1272	\$1180	
2066	\$457	2066	\$556	\$597	\$652	\$707	\$776	\$845	\$913	\$982	\$1051	\$1120	\$1188	\$1326	\$1463	\$1349	
2072	\$464	2072	\$575	\$616	\$671	\$726	\$795	\$864	\$932	\$1001	\$1070	\$1139	\$1207	\$1345	\$1482	\$1368	

How to Order

LV	ABC	HODB	WH BL SN CHR (std)	UAHS UMHS UBHS	T524 T536 T548 DEL20
series	dimensions	product	metal finish (Appx. A)	division (Appx. I)	2 task lights (p. 162)

Example LV 246011 HODB CHR UAHS

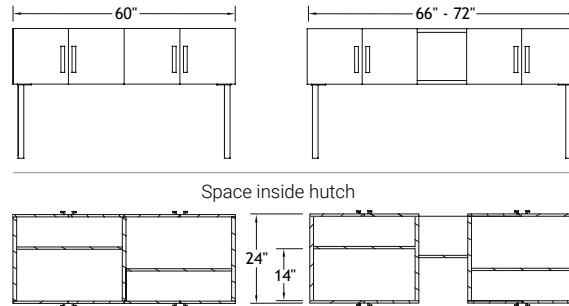
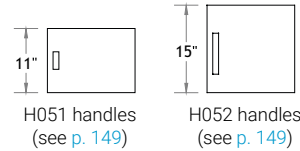
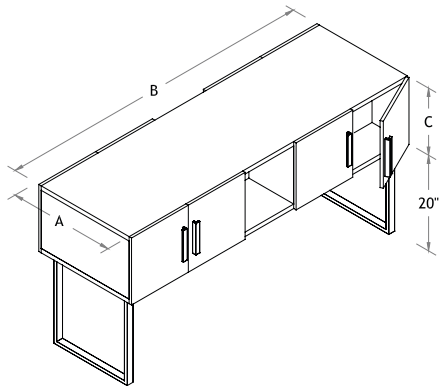
Prices

Dimensions	
A B C	
246011	1377
246611	1455
247211	1476
246015	1395
246615	1491
247215	1513

Storage Units

Shared Desk Hutches

ARDB



Manufacturing Standards

- Delivered disassembled;
- Cabinets on each side with 4 soft close doors;
- Chrome-finish H051 metal handles on 11" high hutch doors and H052 on 15" high hutch doors;
- 20" high chrome-finish metal legs for hutch;
- Vertical wood grain on front.

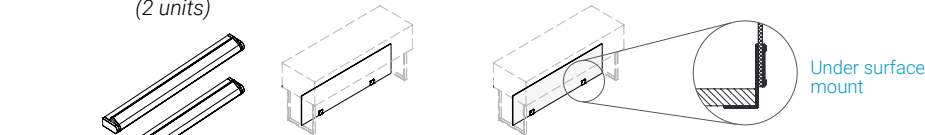
Note: When ordering a divider screen that is between two metal legs, the total length is 6" shorter than the length of the hutch because of the width of the legs. The screen lengths in the adjacent 'Options' price tables have already been adjusted to fit the hutches offered on this page.

Specify if different handle desired (no extra charge, see p. 149).

See Appendix A for the metal finishes available (no extra charge).

Options

Lock Task Light (2 units) Divider Screens



\$44 ea.

\$\$

UMHS - laminate - 5/8"		UBHS - tackboards - 7/8"					COM										Leather
A	B	GRA	GR1	GR2	GR3	GR4	GR5	GR6	GR7	GR8	GR9	GR10	GR11	GR12			
2060	\$449	2060	\$546	\$579	\$623	\$667	\$722	\$777	\$832	\$887	\$942	\$997	\$1052	\$1162	\$1272	\$1180	
2066	\$457	2066	\$556	\$597	\$652	\$707	\$776	\$845	\$913	\$982	\$1051	\$1120	\$1188	\$1326	\$1463	\$1349	
2072	\$464	2072	\$575	\$616	\$671	\$726	\$795	\$864	\$932	\$1001	\$1070	\$1139	\$1207	\$1345	\$1482	\$1368	

How to Order

LV	A B C	ARDB	WH BL SN CHR (std)	UAHS UMHS UBHS	LKBL LKSN	T524 T536 T548 DEL20
series	dimensions	product	metal finish (Appx. A)	division (Appx. I)	lock (p. 154)	2 task lights (p. 162)
Example	LV 246011	ARDB	CHR	UAHS	LKSN	

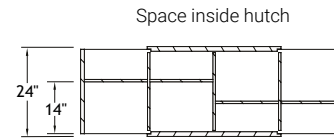
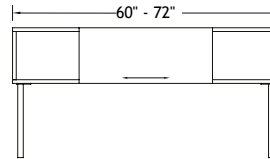
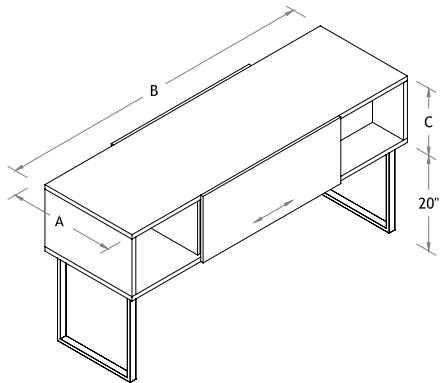
Prices

Dimensions A B C	Front finish (see Appendix A for further details)	
	Std	Hg
246011	2040	2123
246611	2108	2182
247211	2136	2218
246015	2080	2198
246615	2164	2264
247215	2196	2303

Storage Units

Shared Desk Hutches

SFDB



Manufacturing Standards

- Delivered disassembled;
- Open hutch on each side with sliding front;
- 20" high chrome-finish metal legs for hutch;
- Vertical wood grain on front.

Note: When ordering a divider screen that is between two metal legs, the total length is 6" shorter than the length of the hutch because of the width of the legs. The screen lengths in the adjacent 'Options' price tables have already been adjusted to fit the hutches offered on this page.

See [Appendix A](#) for the metal finishes available (no extra charge).

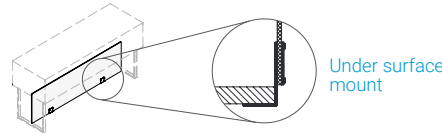
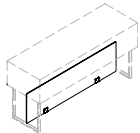
Options

Task Light (2 units)



SS

Divider Screens



UMHS - laminate - 5/8"		UBHS - tackboards - 7/8"					COM										Leather
A	B	GRA	GR1	GR2	GR3	GR4	GR5	GR6	GR7	GR8	GR9	GR10	GR11	GR12			
2060	\$449	2060	\$546	\$579	\$623	\$667	\$722	\$777	\$832	\$887	\$942	\$997	\$1052	\$1162	\$1272	\$1180	
2066	\$457	2066	\$556	\$597	\$652	\$707	\$776	\$845	\$913	\$982	\$1051	\$1120	\$1188	\$1326	\$1463	\$1349	
2072	\$464	2072	\$575	\$616	\$671	\$726	\$795	\$864	\$932	\$1001	\$1070	\$1139	\$1207	\$1345	\$1482	\$1368	

How to Order

LV	A B C	SFDB	WH BL SN CHR (std)	UAHS UMHS UBHS	T524 T536 T548 DEL20
series	dimensions	product	metal finish (Appx. A)	division (Appx. I)	2 task lights (p. 162)

Example LV 246011 SFDB CHR UAHS

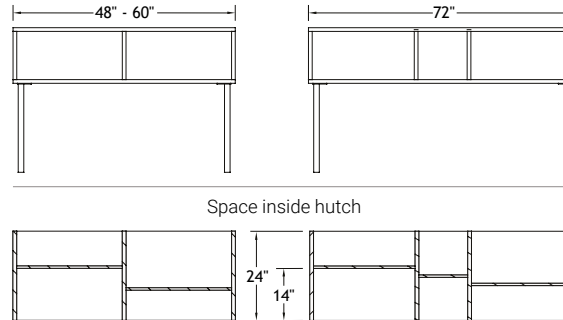
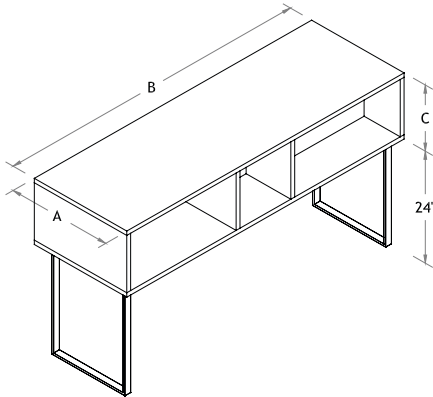
Prices

Dimensions A B C	Front finish (see Appendix A for further details)	
	Std	Hq
246011	1868	1905
246611	1895	1940
247211	1925	1972
246015	1916	1972
246615	1950	2012
247215	1981	2049

Storage Units

Shared Storage Hutches

HODH



Manufacturing Standards

- Delivered disassembled;
- Hutch open on each side;
- 24" high chrome-finish metal legs for hutch.

Note: When ordering a divider screen that is between two metal legs, the total length is 6" shorter than the length of the hutch because of the width of the legs. The screen lengths in the adjacent 'Options' price tables have already been adjusted to fit the hutches offered on this page.

See [Appendix A](#) for the metal finishes available (no extra charge).

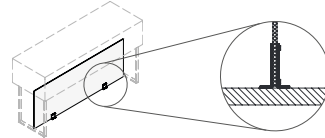
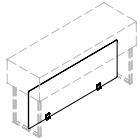
Options

Task Light (2 units)



\$\$

Divider Screens



Surface mount

SMHP - laminate - 5/8"		SBHP - tackboards - 7/8"				COM											Leather
A	B	GRA	GR1	GR2	GR3	GR4	GR5	GR6	GR7	GR8	GR9	GR10	GR11	GR12			
2448	\$456	2448	\$545	\$578	\$622	\$666	\$721	\$776	\$831	\$886	\$941	\$996	\$1051	\$1161	\$1271	\$1179	
2460	\$470	2460	\$581	\$622	\$677	\$732	\$801	\$870	\$938	\$1007	\$1076	\$1145	\$1213	\$1351	\$1488	\$1374	
2472	\$488	2472	\$626	\$667	\$722	\$777	\$846	\$915	\$983	\$1052	\$1121	\$1190	\$1258	\$1396	\$1533	\$1419	

How to Order

LV	ABC	HODH	WH BL SN CHR (std)	SAHP SMHP SBHP	T524 T536 T548 DEL20
series	dimensions	product	metal finish (Appx. A)	division (Appx. I)	2 task lights (p. 162)
Example	LV 244815	HODH	CHR	SAHP	

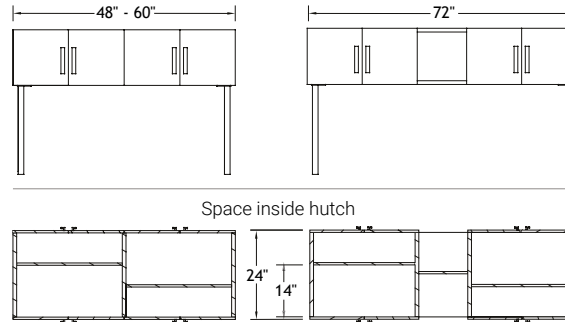
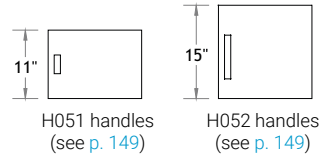
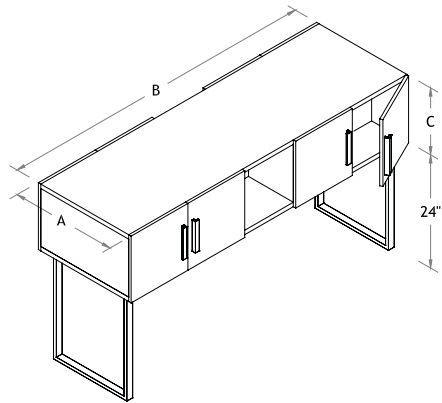
Prices

Dimensions	
A	B C
244811	1428
246011	1498
247211	1599
244815	1445
246015	1517
247215	1634

Storage Units

Shared Storage Hutches

ARDH



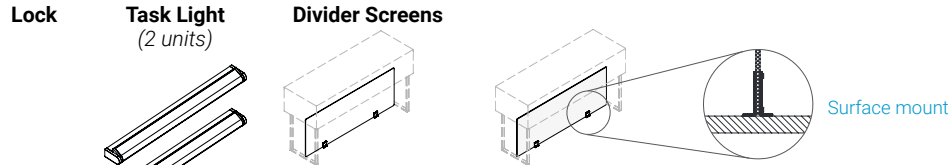
Manufacturing Standards

- Delivered disassembled;
- Cabinets on each side with 4 soft close doors;
- Chrome-finish H051 metal handles on 11" high hutch doors and H052 on 15" high hutch doors;
- 24" high chrome-finish metal legs for hutch;
- Vertical wood grain.

Note: When ordering a divider screen that is between two metal legs, the total length is 6" shorter than the length of the hutch because of the width of the legs. The screen lengths in the adjacent 'Options' price tables have already been adjusted to fit the hutches offered on this page.

Specify if different handle desired (no extra charge, see p. 149).
See Appendix A for the metal finishes available (no extra charge).

Options



SMHP - laminate - 5/8"		SBHP - tackboards - 7/8"										COM				Leather
A	B	GRA	GR1	GR2	GR3	GR4	GR5	GR6	GR7	GR8	GR9	GR10	GR11	GR12		
2448	\$456	2448	\$545	\$578	\$622	\$666	\$721	\$776	\$831	\$886	\$941	\$996	\$1051	\$1161	\$1271	\$1179
2460	\$470	2460	\$581	\$622	\$677	\$732	\$801	\$870	\$938	\$1007	\$1076	\$1145	\$1213	\$1351	\$1488	\$1374
2472	\$488	2472	\$626	\$667	\$722	\$777	\$846	\$915	\$983	\$1052	\$1121	\$1190	\$1258	\$1396	\$1533	\$1419

How to Order

LV	ABC	ARDH	CHR (std)	SAHP	H052 (std)	LKBL	T524
series	dimensions	product	metal finish (Appx. A)	division (Appx. I)	handle (p. 149)	lock (p. 154)	2 task lights (p. 162)
Example LV	244815	ARDH	CHR	SAHP	H052	LKSN	

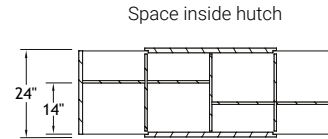
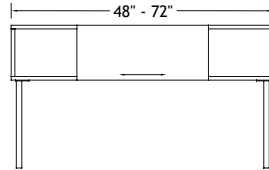
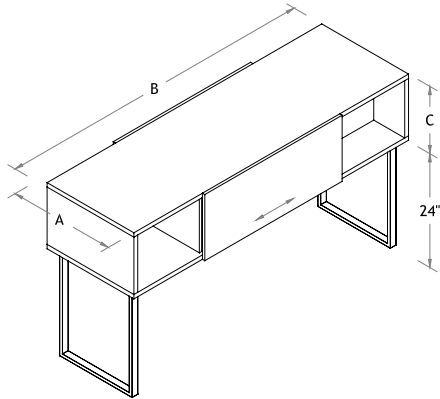
Prices

Dimensions A B C	Front finish (see Appendix A for further details)	
	Std	Hg
244811	2075	2142
246011	2161	2245
247211	2259	2339
244815	2113	2204
246015	2203	2317
247215	2317	2429

Storage Units

Shared Storage Hutches

SFDH



Manufacturing Standards

- Delivered disassembled;
- Open hutch on each side with sliding front;
- 24" high chrome-finish metal legs for hutch;
- Vertical wood grain on front.

Note: When ordering a divider screen that is between two metal legs, the total length is 6" shorter than the length of the hutch because of the width of the legs. The screen lengths in the adjacent 'Options' price tables have already been adjusted to fit the hutches offered on this page.

See [Appendix A](#) for the metal finishes available (no extra charge).

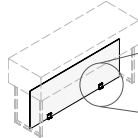
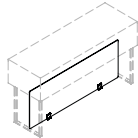
Options

Task Light (2 units)



\$\$

Divider Screens



Surface mount

SMHP - laminate - 5/8"		SBHP - tackboards - 7/8"										COM				Leather
A	B	GRA	GR1	GR2	GR3	GR4	GR5	GR6	GR7	GR8	GR9	GR10	GR11	GR12		
2448	\$456	2448	\$545	\$578	\$622	\$666	\$721	\$776	\$831	\$886	\$941	\$996	\$1051	\$1161	\$1271	\$1179
2460	\$470	2460	\$581	\$622	\$677	\$732	\$801	\$870	\$938	\$1007	\$1076	\$1145	\$1213	\$1351	\$1488	\$1374
2472	\$488	2472	\$626	\$667	\$722	\$777	\$846	\$915	\$983	\$1052	\$1121	\$1190	\$1258	\$1396	\$1533	\$1419

How to Order

LV	ABC	SFDH	CHR (std)	SAHP	T524 T536 T548 DEL20
series	dimensions	product	metal finish (Appx. A)	division (Appx. I)	2 task lights (p. 162)

Example LV 244815 SFDH CHR SAHP

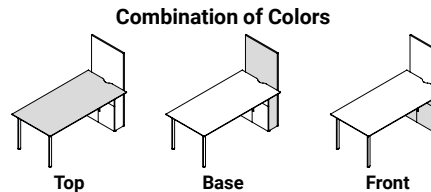
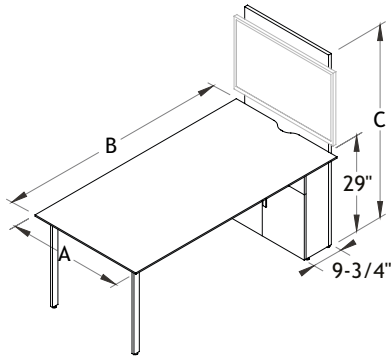
Prices

Dimensions A B C	Front finish (see Appendix A for further details)	
	Std	Hq
244811	1903	1936
246011	1987	2029
247211	2044	2096
244815	1950	1979
246015	2040	2097
247215	2102	2174

Collaborative Furniture

Collaborative and Multimedia Tables

MP



Manufacturing Standards

- Delivered disassembled;
- Rectangular top with knife edge;
- 2 chrome-finish metal legs, 29" H;
- Surface cutout for wire management;
- Storage cabinet with 2 soft close doors under the top with 1 adjustable shelf and chrome finish H052 handles;
- Built-in 1" laminate vertical panel to mount a screen;
- Grommet hole in the base of the unit to manage screen cables;
- Vertical wood grain on front.

The Oasis connectivity unit is only available for 73" tables.

Dimension "B" includes the 1" vertical panel.

Screen and screen mounting hardware not included. Maximum recommended screen size 60".

Handle: For a handle other than H052 standard, please choose from the Logiflex list at no extra charge, see p. 149).

Options

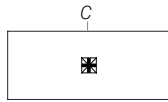
Lock



\$44 ea.



\$401 \$401 \$401



Connectivity



\$721 \$1 137 \$932



\$2 619 \$3 035 \$2 830



Wireless charger



\$624

Prices

Dimensions

A	B	C
305559	1413	
306159	1455	
306759	1497	
307359	1538	
365559	1519	
366159	1570	
366759	1617	
367359	1667	

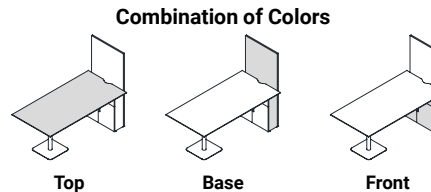
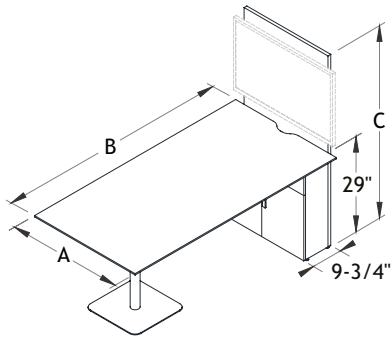
How to Order

LV	A B C	MP	WH BL SN CHR (std)	INT A/B/C OAS A/B/C MH3 B/C/D	QIBL	LKBL LKSN	
series	dimensions	product	metal finish (Appx. A)	connectivity	Qi (Appx. B)	lock (p. 154)	handle (p. 149)
Example	LV 366159	MP	CHR	MH3B	QIBL	LKSN	

Collaborative Furniture

Collaborative and Multimedia Tables

MT



Manufacturing Standards

- Delivered disassembled;
- Rectangular top with knife edge and square satin nickel finish Lennox metal base, 29" H;
- Surface cutout for wire management;
- Storage cabinet with 2 soft close doors under the top with 1 adjustable shelf and satin nickel finish H052 handles;
- Built-in 1" laminate vertical panel to mount a screen;
- Grommet hole in the base of the unit to manage screen cables;
- Vertical wood grain on front and on vertical panel.

The Oasis connectivity unit is only available for 73" tables.

Dimension "B" includes the 1" vertical panel.

Screen and screen mounting hardware not included. Maximum recommended screen size 60".

Handle: For a handle other than H052 standard, please choose from the Logiflex list at no extra charge, see p. 149).

Options

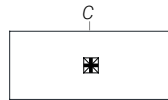
Lock



\$44 ea.



\$401 \$401 \$401

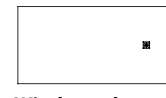


Connectivity

\$721 \$1 137 \$932



\$2 619 \$3 035 \$2 830



Wireless charger



\$624

Prices

Dimensions			SN/BL/WH	CHR
A	B	C		
305559	1709	2519		
306159	1749	2562		
306759	1790	2602		
307359	1832	2644		
365559	1813	2625		
366159	1862	2672		
366759	1912	2724		
367359	1961	2771		

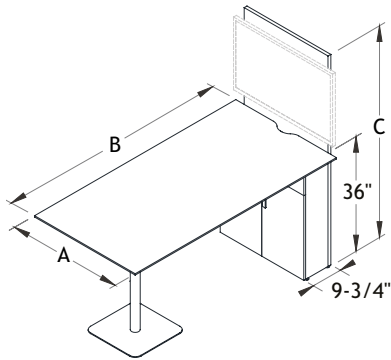
How to Order

LV	A B C	MT	WH BL CHR SN (std)	INT A/B/C OAS A/B/C MH3 B/C/D	QIBL	LKBL LKSN	
series	dimensions	product	metal finish (Appx. A)	connectivity	Qi (Appx. B)	lock (p. 154)	handle (p. 149)
Example	LV 366159	MT	SN	MH3B	QIBL	LKSN	

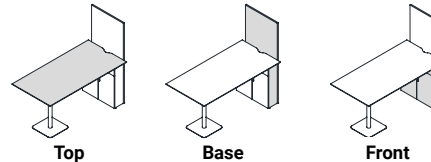
Collaborative Furniture

Collaborative and Multimedia Tables

MB



Combination of Colors



Manufacturing Standards

- Delivered disassembled;
- Rectangular top with knife edge and square satin nickel finish Lennox metal base, 36" H;
- Surface cutout for wire management;
- Storage cabinet with 2 soft close doors under the top with 2 adjustable shelves and satin nickel finish H052 handles;
- Built-in 1" laminate vertical panel to mount a screen;
- Grommet hole in the base of the unit to manage screen cables;
- Vertical wood grain on front and on vertical panel.

The Oasis connectivity unit is only available for 73" tables.

Dimension "B" includes the 1" vertical panel.

Screen and screen mounting hardware not included. Maximum recommended screen size 60".

Handle: For a handle other than H052 standard, please choose from the Logiflex list at no extra charge, see p. 149).

Options

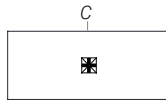
Lock



\$44 ea.



\$401 \$401 \$401



Connectivity



\$721 \$1 137 \$932



\$2 619 \$3 035 \$2 830



Wireless charger



\$624

Prices

Dimensions			SN/BL/WH	CHR
A	B	C		
305566	1740	2597		
306166	1781	2639		
306766	1823	2680		
307366	1867	2722		
365566	1848	2705		
366166	1897	2757		
366766	1948	2804		
367366	1998	2852		

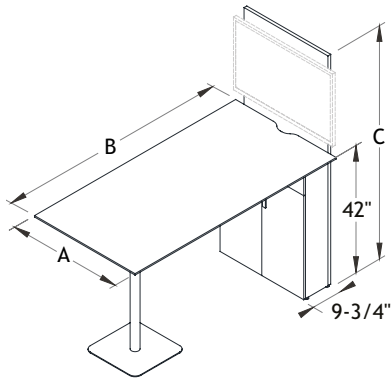
How to Order

LV	A B C	MB	WH BL CHR SN (std)	INT A/B/C OAS A/B/C MH3 B/C/D	QIBL	LKBL LKSN	
series	dimensions	product	metal finish (Appx. A)	connectivity	Qi (Appx. B)	lock (p. 154)	handle (p. 149)
Example	LV 367366	MB	SN	MH3B	QIBL	LKSN	

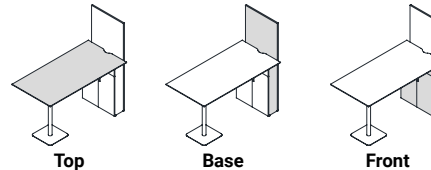
Collaborative Furniture

Collaborative and Multimedia Tables

MG



Combination of Colors



Manufacturing Standards

- Delivered disassembled;
- Rectangular top with knife edge and square satin nickel finish Lennox metal base, 42" H;
- Surface cutout for wire management;
- Storage cabinet with 2 soft close doors under the top with 2 adjustable shelves and satin nickel finish H052 handles;
- Built-in 1" laminate vertical panel to mount a screen;
- Grommet hole in the base of the unit to manage screen cables;
- Vertical wood grain on front and on vertical panel.

The Oasis connectivity unit is only available for 73" tables.

Dimension "B" includes the 1" vertical panel.

Screen and screen mounting hardware not included. Maximum recommended screen size 60".

Handle: For a handle other than H052 standard, please choose from the Logiflex list at no extra charge, see p. 149).

Options

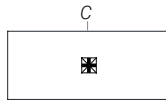
Lock



\$44 ea.



\$401 \$401 \$401



Connectivity



\$721 \$1 137 \$932



\$2 619 \$3 035 \$2 830



Wireless charger



\$624

Prices

Dimensions			SN/BL/WH	CHR
A	B	C		
305572	1768	2654		
306172	1810	2696		
306772	1850	2737		
307372	1893	2780		
365572	1878	2768		
366172	1930	2818		
366772	1978	2865		
367372	2028	2917		

How to Order

LV	ABC	MG	WH BL CHR SN (std)	INT A/B/C OAS A/B/C MH3 B/C/D	QIBL	LKBL LKSN	
series	dimensions	product	metal finish (Appx. A)	connectivity	Qi (Appx. B)	lock (p. 154)	handle (p. 149)

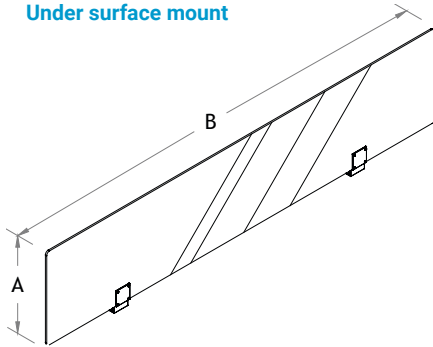
Example LV 307372 MG SN MH3B QIBL LKSN

Divider Screens

Acrylic

UAS

Under surface mount

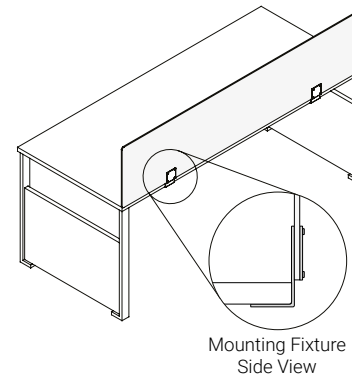


Manufacturing Standards

- Acrylic divider screen, frosted finish (PL), to be installed above a surface;
- 2 chrome-finish metal mounts for mounting under a surface.

C1: Acrylic 1/4"

Dimension "B" is 1/2" recessed.



Prices

Dimensions		C1
A	B	
1524		347
1530		368
1536		389
1542		408
1548		431
1554		450
1556		463
1560		470
1564		485
1566		492
1568		504
1572		515

How to Order

LV	A B	UAS	C1	WH BL SN CHR (std)	PL (std)
series	dimensions	product	acrylic thickness	metal finish (Appx. A)	acrylic finish (Appx. A)

Example

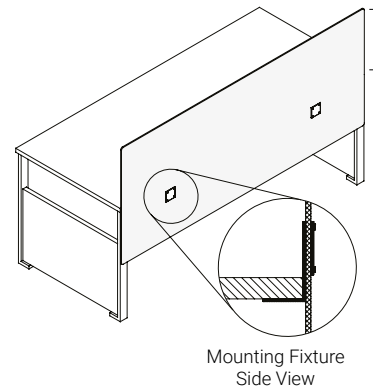
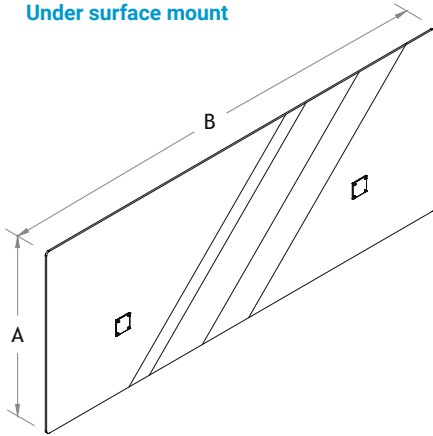
LV	1572	UAS	C1	CHR	PL
----	------	-----	----	-----	----

Divider Screens

Acrylic

UAC

Under surface mount



Manufacturing Standards

- Acrylic divider screen, frosted finish (PL), to position in front of the surface;
- 2 chrome-finish metal mounts for mounting under a surface.

*Screen height above surface: 24"H = 13" / 26"H = 15"

C1: Acrylic 1/4"

Dimension "B" is 1/2" recessed.

Prices

Dimensions	
A B	C1
2424	396
2430	431
2436	464
2442	498
2448	530
2454	565
2456	581
2460	597
2464	616
2466	632
2468	649
2472	666
2624	406
2630	445
2636	482
2642	519
2648	553
2654	589
2656	610
2660	627
2664	645
2666	663
2668	684
2672	699

How to Order

LV	A B	UAC	C1	WH BL SN CHR (std)	PL (std)
series	dimensions	product	acrylic thickness	metal finish (Appx. A)	acrylic finish (Appx. A)

Example

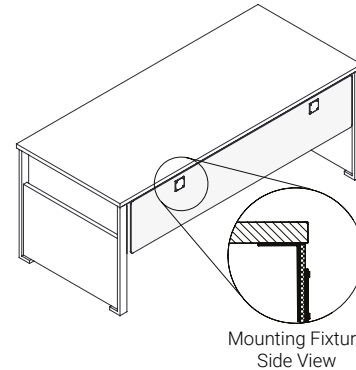
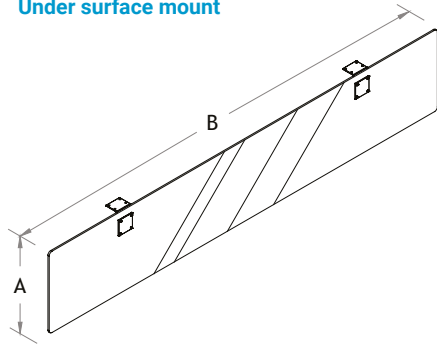
LV	2672	UAC	C1	CHR	PL
----	------	-----	----	-----	----

Divider Screens

Acrylic

UAM

Under surface mount



Manufacturing Standards

- Acrylic divider screen, frosted finish (PL), to be installed under a surface;
- 2 chrome-finish metal mounts for mounting under a surface.

C1: Acrylic 1/4"

Note: When ordering a divider screen that serves as a modesty, you must order a screen whose length is 6" shorter than the desk because of the width of the legs, ex. for a 66" desk order a 60" screen.

Prices

Dimensions		C1
A	B	
1024		318
1030		331
1036		347
1042		361
1048		374
1054		389
1056		395
1060		402
1064		408
1066		416
1068		423
1072		431

How to Order

LV	A B	UAM	C1	WH BL SN CHR (std)	PL (std)
series	dimensions	product	acrylic thickness	metal finish (Appx. A)	acrylic finish (Appx. A)

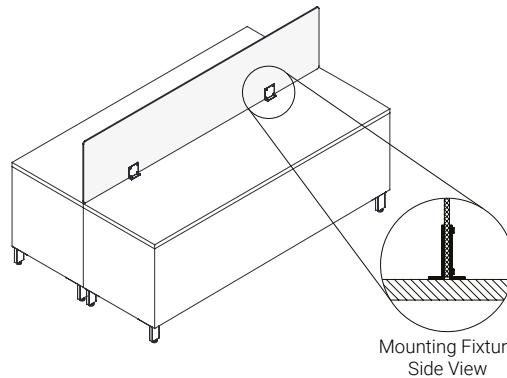
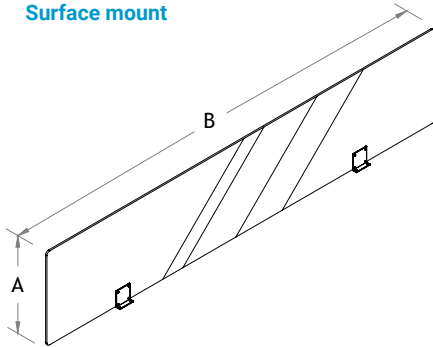
Example LV 1072 UAM C1 CHR PL

Divider Screens

Acrylic

SAS

Surface mount



Manufacturing Standards

- Acrylic divider screen, frosted finish (PL), to be installed above a surface;
- 2 chrome-finish metal mounts for mounting on a surface.

C1: Acrylic 1/4"

Dimension "B" is 1/2" recessed.

Prices

Dimensions		C1
A	B	
1524		356
1530		376
1536		397
1542		418
1548		440
1554		461
1556		470
1560		483
1564		492
1566		503
1568		513
1572		524

How to Order

LV	A B	SAS	C1	WH BL SN CHR (std)	PL (std)
series	dimensions	product	acrylic thickness	metal finish (Appx. A)	acrylic finish (Appx. A)

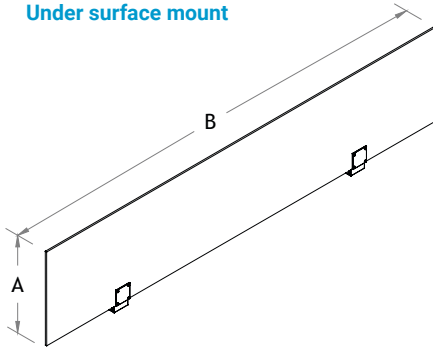
Example LV 1572 SAS C1 CHR PL

Divider Screens

Laminate

UMS

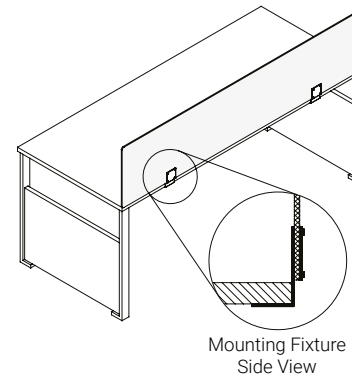
Under surface mount



Manufacturing Standards

- 5/8" laminate divider screen to be installed above a surface;
- 2 chrome-finish metal mounts for mounting under a surface.

Dimension "B" is 1/2" recessed.



Prices

Dimensions

A	B
1524	410
1530	415
1536	420
1542	425
1548	432
1554	437
1556	440
1560	442
1564	445
1566	447
1568	449
1572	453
2124	417
2130	424
2136	433
2142	440
2148	446
2154	453
2156	457
2160	460
2164	464
2166	466
2168	469
2172	471

How to Order

LV	A B	UMS	WH BL SN CHR (std)
series	dimensions	product	metal finish (Appx. A)

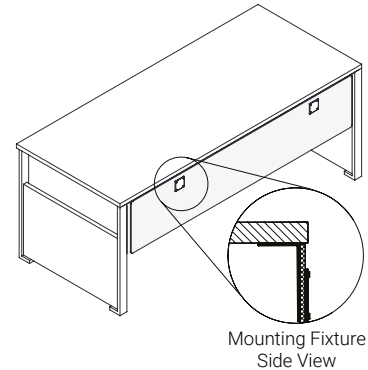
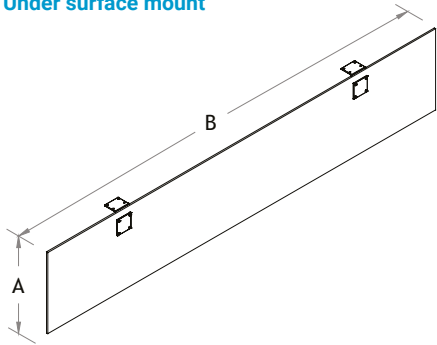
Example LV 1572 UMS CHR

Divider Screens

Laminate

UMM

Under surface mount



Manufacturing Standards

- 5/8" laminate divider screen to be installed under a surface;
- 2 chrome-finish metal mounts for mounting under a surface.

Dimension "B" is 1/2" recessed.

Note: When ordering a divider screen that serves as a modesty, you must order a screen whose length is 6" shorter than the desk because of the width of the legs, ex. for a 66" desk order a 60" screen.

Prices

Dimensions	
A	B
1024	403
1030	406
1036	413
1042	415
1048	418
1054	423
1056	425
1060	426
1064	428
1066	432
1068	435
1072	436

How to Order

LV	A B	UMM	WH BL SN CHR (std)
series	dimensions	product	metal finish (Appx. A)

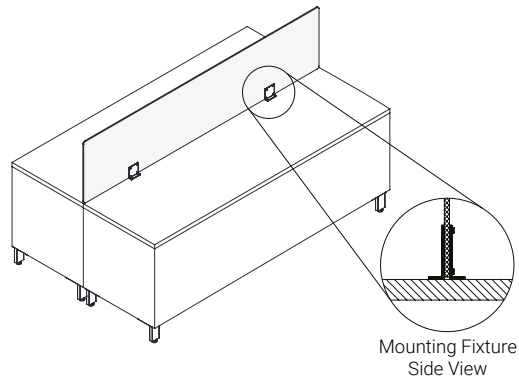
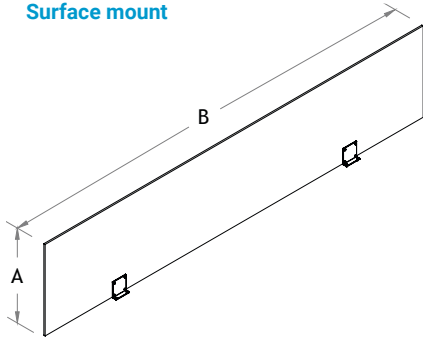
Example LV 1072 UMM CHR

Divider Screens

Laminate

SMS

Surface mount



Manufacturing Standards

- 5/8" laminate divider screen to be installed above a surface;
- 2 chrome-finish metal mounts for mounting on a surface.

Dimension "B" is 1/2" recessed.

Prices

Dimensions

A	B
1524	420
1530	425
1536	432
1542	437
1548	442
1554	447
1556	449
1560	453
1564	456
1566	459
1568	461
1572	464

2124	428
2130	436
2136	442
2142	449
2148	457
2154	464
2156	467
2160	469
2164	475
2166	480
2168	483
2172	486

How to Order

LV	A B	SMS	WH BL SN CHR (std)
series	dimensions	product	metal finish (Appx. A)

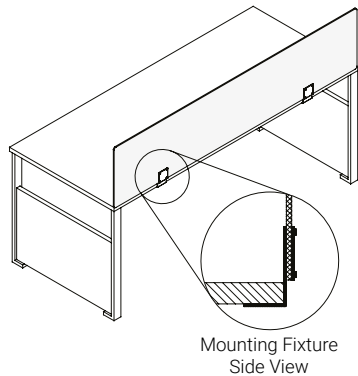
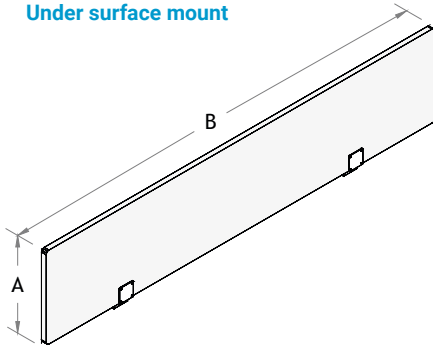
Example LV 1572 SMS CHR

Divider Screens

Tackboards

UBS

Under surface mount



Manufacturing Standards

- 7/8" thick tackboard covered with fabric to be installed above a surface;
- 2 chrome-finish metal mounts for mounting under a surface.

Dimension "B" is 1/2" recessed.

Prices

Dimensions A B	GRA	GR1	COM GR2	GR3	GR4	GR5	GR6	GR7	GR8	GR9	GR10	GR11	GR12	leather cuir
1524	447	464	486	508	536	563	591	618	646	673	701	756	811	765
1530	451	476	509	542	583	625	666	707	748	790	831	913	996	927
1536	466	491	524	557	598	640	681	722	763	805	846	928	1011	942
1542	482	507	540	573	614	656	697	738	779	821	862	944	1027	958
1548	486	519	563	607	662	717	772	827	882	937	992	1102	1212	1120
1554	501	534	578	622	677	732	787	842	897	952	1007	1117	1227	1135
1556	509	542	586	630	685	740	795	850	905	960	1015	1125	1235	1143
1560	516	549	593	637	692	747	802	857	912	967	1022	1132	1242	1150
1564	522	555	599	643	698	753	808	863	918	973	1028	1138	1248	1156
1566	520	561	616	671	740	809	877	946	1015	1084	1152	1290	1427	1313
1568	528	569	624	679	748	817	885	954	1023	1092	1160	1298	1435	1321
1572	537	578	633	688	757	826	894	963	1032	1101	1169	1307	1444	1330

How to Order

LV	A B	UBS	WH BL SN CHR (std)
series	dimensions	product	metal finish (Appx. A)

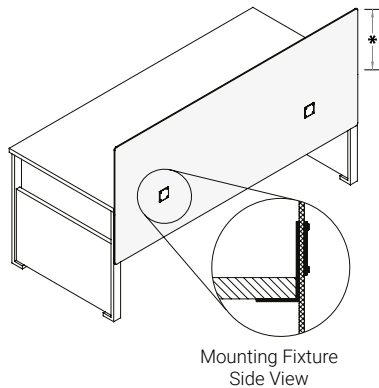
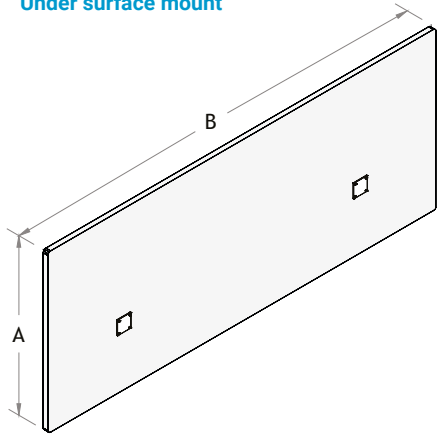
Example LV 1572 UBS CHR

Divider Screens

Tackboards

UBC

Under surface mount



Manufacturing Standards

- 7/8" thick tackboard covered with fabric to position in front of the surface;
- 2 chrome-finish metal mounts for mounting on a surface.

*Screen height above surface: 24"H = 13" / 26"H = 15"

Dimension "B" is 1/2" recessed.

Applicable only on single desks.

Prices

Dimensions A B	GRA	GR1	COM GR2	GR3	GR4	GR5	GR6	GR7	GR8	GR9	GR10	GR11	GR12	leather cuir
2424	480	497	519	541	569	596	624	651	679	706	734	789	844	798
2430	497	522	555	588	629	671	712	753	794	836	877	959	1042	973
2436	519	544	577	610	651	693	734	775	816	858	899	981	1064	995
2442	540	565	598	631	672	714	755	796	837	879	920	1002	1085	1016
2448	558	591	635	679	734	789	844	899	954	1009	1064	1174	1284	1192
2454	580	613	657	701	756	811	866	921	976	1031	1086	1196	1306	1214
2456	591	624	668	712	767	822	877	932	987	1042	1097	1207	1317	1225
2460	603	636	680	724	779	834	889	944	999	1054	1109	1219	1329	1237
2464	614	647	691	735	790	845	900	955	1010	1065	1120	1230	1340	1248
2466	618	659	714	769	838	907	975	1044	1113	1182	1250	1388	1525	1411
2468	629	670	725	780	849	918	986	1055	1124	1193	1261	1399	1536	1422
2472	641	682	737	792	861	930	998	1067	1136	1205	1273	1411	1548	1434

2624	492	509	531	553	581	608	636	663	691	718	746	801	856	810
2630	507	532	565	598	639	681	722	763	804	846	887	969	1052	983
2636	531	556	589	622	663	705	746	787	828	870	911	993	1076	1007
2642	557	582	615	648	689	731	772	813	854	896	937	1019	1102	1033
2648	572	605	649	693	748	803	858	913	968	1023	1078	1188	1298	1206
2654	597	630	674	718	773	828	883	938	993	1048	1103	1213	1323	1231
2656	612	645	689	733	788	843	898	953	1008	1063	1118	1228	1338	1246
2660	622	655	699	743	798	853	908	963	1018	1073	1128	1238	1348	1256
2664	635	668	712	756	811	866	921	976	1031	1086	1141	1251	1361	1269
2666	639	680	735	790	859	928	996	1065	1134	1203	1271	1409	1546	1432
2668	653	694	749	804	873	942	1010	1079	1148	1217	1285	1423	1560	1446
2672	664	705	760	815	884	953	1021	1090	1159	1228	1296	1434	1571	1457

How to Order

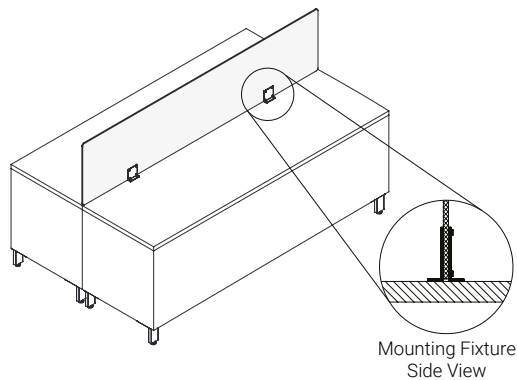
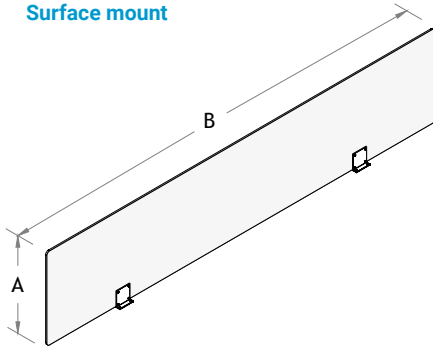
LV	A B	UBC	WH BL SN CHR (std) metal finish (Appx. A)
series	dimensions	product	
Example LV	2624	UBC	CHR

Divider Screens

Tackboards

SBS

Surface mount



Manufacturing Standards

- 7/8" thick tackboard covered with fabric to be installed above a surface;
- 2 chrome-finish metal mounts for mounting on a surface.

Dimension "B" is 1/2" recessed.

Prices

Dimensions A B	GRA	GR1	COM GR2	GR3	GR4	GR5	GR6	GR7	GR8	GR9	GR10	GR11	GR12	leather cuir
1524	455	472	494	516	544	571	599	626	654	681	709	764	819	773
1530	461	486	519	552	593	635	676	717	758	800	841	923	1006	937
1536	473	498	531	564	605	647	688	729	770	812	853	935	1018	949
1542	490	515	548	581	622	664	705	746	787	829	870	952	1035	966
1548	495	528	572	616	671	726	781	836	891	946	1001	1111	1221	1129
1554	510	543	587	631	686	741	796	851	906	961	1016	1126	1236	1144
1556	519	552	596	640	695	750	805	860	915	970	1025	1135	1245	1153
1560	524	557	601	645	700	755	810	865	920	975	1030	1140	1250	1158
1564	530	563	607	651	706	761	816	871	926	981	1036	1146	1256	1164
1566	531	572	627	682	751	820	888	957	1026	1095	1163	1301	1438	1324
1568	538	579	634	689	758	827	895	964	1033	1102	1170	1308	1445	1331
1572	544	585	640	695	764	833	901	970	1039	1108	1176	1314	1451	1337

How to Order

LV	A B	SBS	WH BL SN CHR (std)
series	dimensions	product	metal finish (Appx. A)

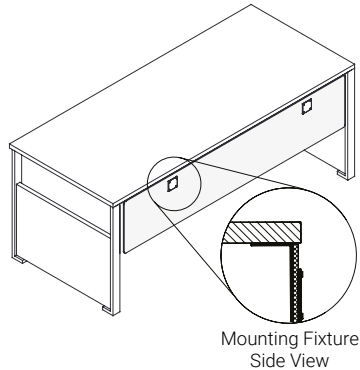
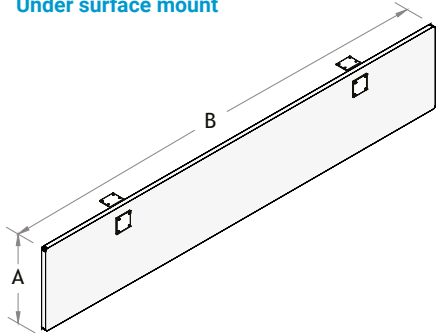
Example LV 1572 SBS CHR

Divider Screens

Tackboards

UBM

Under surface mount



Manufacturing Standards

- 7/8" thick tackboard covered with fabric to be installed under a surface;
- 2 satin nickel finish metal mounts for mounting under a surface.

Dimension "B" is 1/2" recessed.

Note: When ordering a divider screen that serves as a modesty, you must order a screen whose length is 6" shorter than the desk because of the width of the legs, ex: for a 66" desk order a 60" screen.

Prices

Dimensions A B	GRA	GR1	COM GR2	GR3	GR4	GR5	GR6	GR7	GR8	GR9	GR10	GR11	GR12	leather cuir
1024	420	437	459	481	509	536	564	591	619	646	674	729	784	738
1030	427	452	485	518	559	601	642	683	724	766	807	889	972	903
1036	441	466	499	532	573	615	656	697	738	780	821	903	986	917
1042	455	480	513	546	587	629	670	711	752	794	835	917	1000	931
1048	461	494	538	582	637	692	747	802	857	912	967	1077	1187	1095
1054	476	509	553	597	652	707	762	817	872	927	982	1092	1202	1110
1056	484	517	561	605	660	715	770	825	880	935	990	1100	1210	1118
1060	489	522	566	610	665	720	775	830	885	940	995	1105	1215	1123
1064	496	529	573	617	672	727	782	837	892	947	1002	1112	1222	1130
1066	495	536	591	646	715	784	852	921	990	1059	1127	1265	1402	1288
1068	502	543	598	653	722	791	859	928	997	1066	1134	1272	1409	1295
1072	512	553	608	663	732	801	869	938	1007	1076	1144	1282	1419	1305

How to Order

	A B		WH BL SN CHR (std)
LV		UBM	
series	dimensions	product	metal finish (Appx. A)

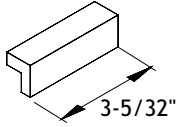
Example LV 1072 UBM CHR

Accessories

Handles

H051

Handle

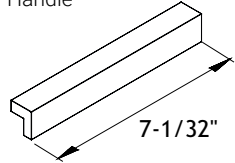


- 3-5/32" metal handle;
- 2-17/32" (64mm) center to center.

Code	\$	Description
H051CHR	14	Chrome
H051SN	14	Satin Nickel
H051BL	14	Black
H051WH	14	White

H052

Handle

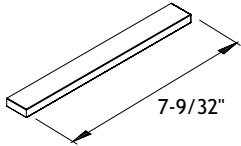


- 7-1/32" metal handle;
- 6-9/32" (160mm) center to center.

Code	\$	Description
H052CHR	14	Chrome
H052SN	14	Satin Nickel
H052BL	14	Black
H052WH	14	White

H071

Handle

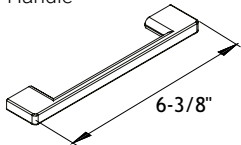


- 7-9/32" metal handle;
- 6-5/16" (160.338mm) center to center.

Code	\$	Description
H071CHR	14	Chrome
H071BN	14	Brushed Nickel
H071BL	14	Black
H071WH	14	White

H072

Handle



- 6-3/8" metal handle;
- 5-1/32" (127.8mm) center to center.

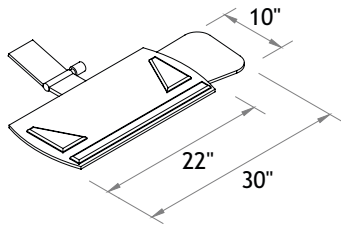
Code	\$	Description
H072CHR	14	Chrome
H072BL	14	Black
H072WH	14	White

Accessories

Keyboard Trays

KB360M

Keyboard Tray

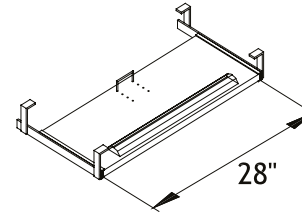


- Black plastic 24-1/2" wide retractable ergonomic keyboard;
- Lift-N-Lock spring system (no lever) to adjust height;
- Handle for easy tilt adjustment from 10° to 15°;
- 10" x 7-1/2" mouse tray;
- 19" black gel wrist rest;
- 360° rotation.

Code	\$	Description
KB360M	615	

KBMODR

Keyboard Tray

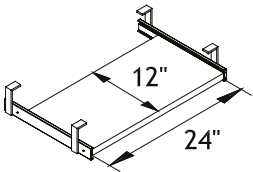


- 28" wide keyboard tray;
- 1" thick laminate;
- Adjustable height from 1-3/4" to 2-3/4" / additional 2" for slides;
- Black gel wrist rest / depth-adjustable stop handles.

Code	\$	Description
KBMODR	315	

KB

Keyboard Tray

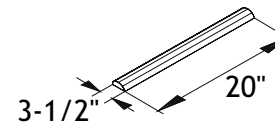


- 24" wide keyboard tray only;
- 5/8" and 1" thick laminate;
- Adjustable height from 1-3/4" to 2-3/4" / additional 2" for slides.

Code	\$	Description
KB	194	1" thick laminate
KBT	183	5/8" thick laminate

AP

Wrist Rest

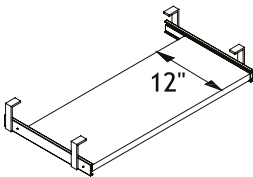


- Black gel wrist rest.

Code	\$	Description
AP	74	

KBMOD

Keyboard Tray



- Keyboard tray, available in lengths from minimum 24" to maximum 30";
- 5/8" and 1" thick laminate;
- Adjustable height from 1-3/4" to 2-3/4" / additional 2" for slides.

Code	\$	Description
KBMOD	233	1" thick laminate
KBMODT	222	5/8" thick laminate

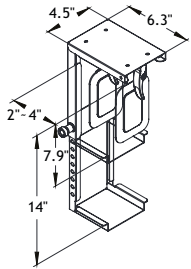
To order, for example a 27" long keyboard tray, 5/8" thick laminate: KBMODT27

Accessories

CPU Holders

MCPU50

Miniature CPU Holder

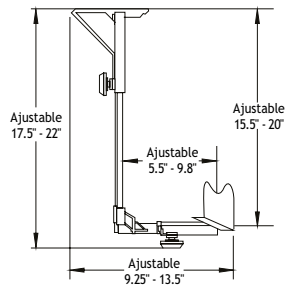


- Height adjustable: 8" - 14";
- Width adjustable: 2" - 4";
- Maximum capacity: 10 kg (22 lbs);
- Need a minimum 5" deep clearance.

Code	\$	Description
MCPU50	171	

MCPU90

CPU Holder

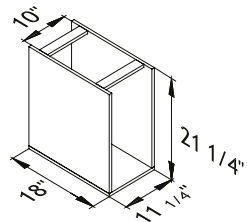


- Black metal CPU holder;
- Easy manipulation;
- Vertical adjustment:
 - Height: 15.5" x 20"
 - Width: 5.5" x 9.8"
- Horizontal adjustment:
 - Height: 17.5" x 22"
 - Width: 9.25" x 13.5"

Code	\$	Description
MCPU90	216	<i>per unit</i>

CPUIND

CPU Holder



- 5/8" thick laminate CPU holder;
- 10" x 20" interior

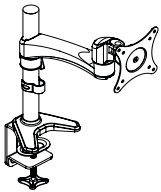
Code	\$	Description
CPUIND	184	<i>per unit</i>

Accessories

Computer Monitor Brackets

C-1A

Computer Monitor Bracket

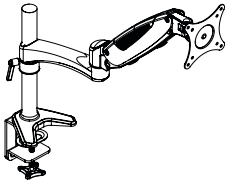


- Computer monitor bracket with fixed arm support;
- Height-adjustable arm;
- Clamp mounted;
- Finish: Black.

Code	\$	Description
C-1A	139	

C-1B

Computer Monitor Bracket

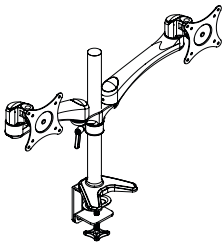


- Computer monitor bracket with flexible arm support;
- Height-adjustable arm;
- Clamp mounted;
- Finish: Black.

Code	\$	Description
C-1B	236	

C-2A

Double Computer Monitor Bracket

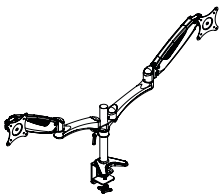


- Double computer monitor bracket with fixed arm support;
- Height-adjustable arms;
- Clamp mounted;
- Finish: Black.

Code	\$	Description
C-2A	235	

C-2B

Double Computer Monitor Bracket

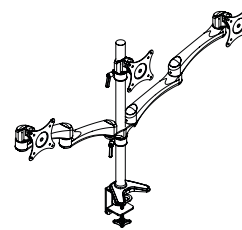


- Double computer monitor bracket with flexible arm support;
- Height-adjustable arms;
- Clamp mounted;
- Finish: Black.

Code	\$	Description
C-2B	418	

C-2A-1S

Triple Computer Monitor Bracket

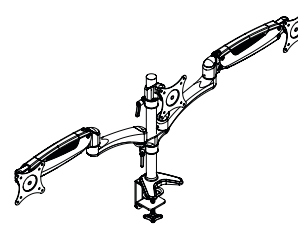


- Triple computer monitor bracket with fixed arm support;
- Height-adjustable arms;
- Clamp mounted;
- Finish: Black.

Code	\$	Description
C-2A-1S	405	

C-2B-1S

Triple Computer Monitor Bracket



- Triple monitor bracket with 2 flexible arm supports;
- Height-adjustable arms;
- Clamp mounted;
- Finish: Black.

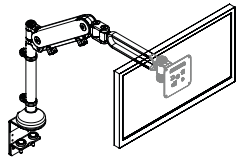
Code	\$	Description
C-2B-1S	459	

Accessories

Computer Monitor Brackets

BRSC1M4

Monitor Arm



- Monitor arm with height-adjustable arm, clamp-mounted;
- Finish: Satin nickel.

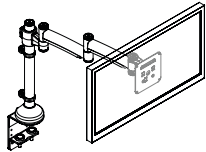
Code	\$	Description
------	----	-------------

BRSC1M4	717	
---------	-----	--

This is a Human Scale product.

BRSC1M7

Monitor Arm



- Monitor arm with fixed-height arm, clamp-mounted;
- Finish: Satin nickel.

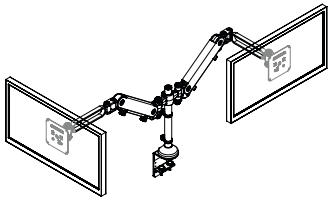
Code	\$	Description
------	----	-------------

BRSC1M7	506	
---------	-----	--

This is a Human Scale product.

BRSC2M4

Double Monitor Arm



- Double monitor arm with height-adjustable arm, clamp-mounted;
- Finish: Satin nickel.

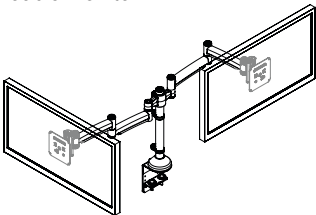
Code	\$	Description
------	----	-------------

BRSC2M4	1261	
---------	------	--

This is a Human Scale product.

BRSC2M7

Double Monitor Arm



- Double monitor arm with fixed-height arm, clamp-mounted;
- Finish: Satin nickel.

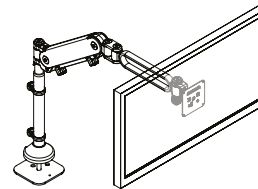
Code	\$	Description
------	----	-------------

BRSC2M7	783	
---------	-----	--

This is a Human Scale product.

BRSG1M4

Computer Monitor Bracket



- Computer monitor bracket with height-adjustable arm;
- Grommet mounted;
- Finish: Satin Nickel.

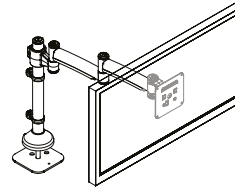
Code	\$	Description
------	----	-------------

BRSG1M4	689	
---------	-----	--

This is a Human Scale product.

BRSG1M7

Computer Monitor Bracket



- Computer monitor bracket with fixed-height arm;
- Grommet mounted;
- Finish: Satin Nickel.

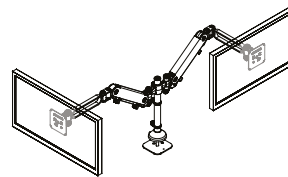
Code	\$	Description
------	----	-------------

BRSG1M7	471	
---------	-----	--

This is a Human Scale product.

BRSG2M4

Double Computer Monitor Bracket



- Double computer monitor bracket with height-adjustable arm;
- Grommet mounted;
- Finish: Satin Nickel.

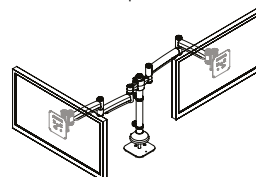
Code	\$	Description
------	----	-------------

BRSG2M4	1252	
---------	------	--

This is a Human Scale product.

BRSG2M7

Double Computer Monitor Bracket



- Double computer monitor bracket with fixed height;
- Grommet mounted;
- Finish: Satin Nickel.

Code	\$	Description
------	----	-------------

BRSG2M7	748	
---------	-----	--

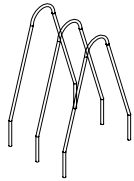
This is a Human Scale product.

Accessories

Miscellaneous Accessories

WD

Dividers

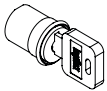


- Metal dividers.

Code	\$	Description
WD	29	Set of 3

LK

Lock/key



- Locks with keys
- Finish: Satin nickel or black finish;
- Additional locks, sold separately or factory installed;
- Please specify the type of furniture on which the will be installed.

Code	\$	Description
LKSN	44	Satin Nickel lock (factory installed)
LKBL	44	Black lock (factory installed)

LKSNF	29	Satin Nickel front lock
LKBLF	29	Black front lock

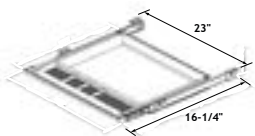
LKSNP	29	Satin Nickel door lock
LKBLP	29	Black door lock

KEY	24	Set of 2 keys - #501 - 600
SERR 010	24	1 master key



TCPM

Sliding Drawer

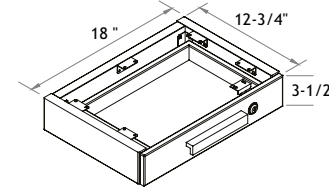


- Black plastic sliding drawer with steel ball bearing slides.

Code	\$	Description
TCPM	194	

TIRA

Drawer

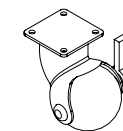


- Drawer and front 5/8" laminate;
- Frame 1" laminate;
- Lock included;
- Mounting brackets and screws included.

Code	\$	Description
TIRA	207	Drawer with lock
TIRAHG	235	Drawer with lock and HG front finish

ROUL035

Caster

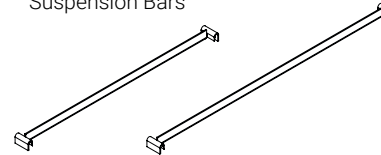


- Ball caster with break;
- Maximum static capacity: 40kg (88 lbs);
- Maximum dynamic capacity: 30kg (66 lbs).

Code	\$	Description
ROUL035	27	

SB

Suspension Bars

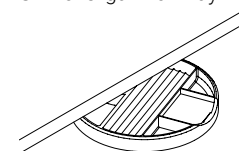


- Short suspension bars: 1 or 2 suspension bars for a left/right filing for a regular file drawer;
- Long suspension bars: 1 or 2 suspension bars for a front/back filing for a lateral file drawer.

Code	\$	Description
SBV1	7	1 short suspension bar
SBV2	14	2 short suspension bars
SBH1	7	1 long suspension bar
SBH2	14	2 long suspension bars

SWV

Swivel Organizer Tray



- Storage drawer that rotate 360 degrees;
- Mounts flush to the edge;
- Dimensions: 7-1/2"D x 8-7/8"W x 1"H.

Code	\$	Description
SWV	63	

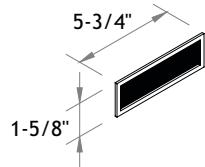
Accessories



Miscellaneous Accessories

GRILLB

Ventilation grill

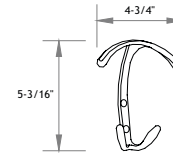


- Black plastic ventilation grill;
- Factory installation only.

Code	\$	Description
GRILLB	57	

CRLI 011

Hook

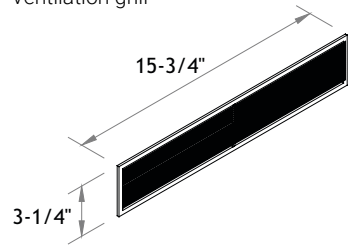


- Chrome finish double hook.

Code	\$	Description
CRLI 011	46	

GRILLW

Ventilation grill



- White plastic ventilation grill;
- Factory installation only.

Code	\$	Description
GRILLW	72	

STP2

Stabilizer

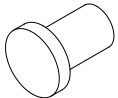


- Stabilizer for divider screens.

Code	\$	Description
STP2	5	Unit price

CRLI 010

Hook



- Stainless steel hook.

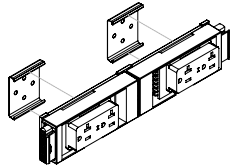
Code	\$	Description
CRLI 010	26	

Accessories

Electrical Accessories

BE-KDHB-1

Single sided power block (1)



Set including:

- Single sided power block (1);
- 2 Duplex -1 circuit;
- 2 mounting plates;
- Max. 10 duplex per circuit (5 double half power block BE-KDHB-1).

Code	\$	Description
------	----	-------------

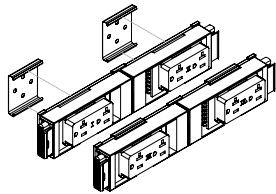
BE-KDHB-1-BL	203	
--------------	-----	--

BE-KDHB-1-WH	213	
--------------	-----	--



BE-KDHB-4

Single sided power block (2)



Set including:

- Single sided power block (2);
- 4 Duplex -1 of each circuit;
- 4 Mounting plates;
- Max. 40 duplex (20 double half power block).

Code	\$	Description
------	----	-------------

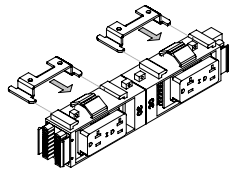
BE-KDHB-4-BL	416	
--------------	-----	--

BE-KDHB-4-WH	426	
--------------	-----	--



BE-KDBSM-1

Double sided power block



Set including:

- Double sided power block;
- 4 duplex -1 circuit;
- 2 slide mounting brackets;
- Max. 10 duplex per circuit (2 double power block).

Code	\$	Description
------	----	-------------

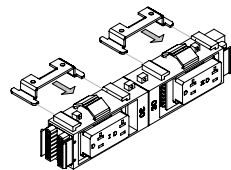
BE-KDBSM-1-BL	390	
---------------	-----	--

BE-KDBSM-1-WH	408	
---------------	-----	--



BE-KDBSM-4

Double sided power block



Set including:

- Double sided power block;
- 4 duplex -1 of each circuit;
- 2 slide mounting brackets;
- Max. 40 duplex (10 double power block).

Code	\$	Description
------	----	-------------

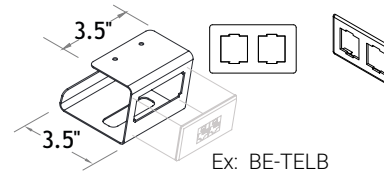
BE-KDBSM-4-BL	390	
---------------	-----	--

BE-KDBSM-4-WH	408	
---------------	-----	--



SMWM

Cable Support



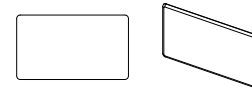
- 3.5" metal wire support with 1 telecom plate cutout;
- Satin nickel finish.

Code	\$	Description
------	----	-------------

SMWM	29	
------	----	--

BE-TELA

Telecom plate



- Blank plate;
- 3-1/8" x 1-3/4";
- Colors: Black, White and Satin nickel;
- To be used with the APB, APF or AP2 cover plate option of the supply walls.

Code	\$	Description
------	----	-------------

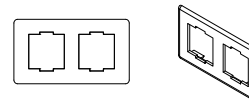
BE-TELA-BL	6	
------------	---	--

BE-TELA-WH	6	
------------	---	--

BE-TELA-SN	6	
------------	---	--

BE-TELB

Telecom plate



- 2 spaces to install connection ports;
- 3-1/8" x 1-3/4";
- Adapter included.
- Colors: Black, White and Satin nickel.

Code	\$	Description
------	----	-------------

BE-TELB-BL	6	
------------	---	--

BE-TELB-WH	6	
------------	---	--

BE-TELB-SN	6	
------------	---	--

BE-HW

Hardwired conduit power entry



- * To be connected to an electrical box by an electrician.
- 8 wires - 4 circuits 20A;
- For 8 trac system;
- Bare wires at one end
- Male end.

Code	\$	Description
------	----	-------------

BE-HW-72	182	8 wire, 4 circuit - 72"L
----------	-----	--------------------------

BE-HW-84	198	8 wire, 4 circuit - 84"L
----------	-----	--------------------------

BE-HW-96	221	8 wire, 4 circuit - 96"L
----------	-----	--------------------------

BE-HW-120	258	8 wire, 4 circuit - 120"L
-----------	-----	---------------------------

BE-HW-180	378	8 wire, 4 circuit - 180"L
-----------	-----	---------------------------



Accessories

Electrical Accessories

BE-PI72

Corded Power entry



- Corded power entry of 72";
- Right angle 20 Amp plug;
- Male end;
- 1 circuit 20A;
- Must be plug on 20A outlet



Code	\$	Description
BE-PI72	226	

BE-NYHW

NYC flex hardwired power infeed



- * To be connected to an electrical box by an electrician.
- 8 wires - 4 circuits 20 A;
- Bare wires at one end;
- For 8 trac system;
- Male end.

Code	\$	Description
------	----	-------------

BE-NYHW-72	410	
BE-NYHW-84	431	
BE-NYHW-96	447	
BE-NYHW-108	469	
BE-NYHW-120	487	



BE-J

M/M jumper



- Not adjustable;
- 8 wire - 4 circuits;
- M/M;
- For 8 trac system;
- Minimum 12" - Maximum 216".



Code	\$	Description
BE-J12	116	8 wire cable / 4 circuit - 12"L
BE-J18	124	8 wire cable / 4 circuit - 18"L
BE-J24	131	8 wire cable / 4 circuit - 24"L
BE-J36	143	8 wire cable / 4 circuit - 36"L
BE-J42	152	8 wire cable / 4 circuit - 42"L
BE-J48	162	8 wire cable / 4 circuit - 48"L
BE-J54	169	8 wire cable / 4 circuit - 54"L
BE-J60	183	8 wire cable / 4 circuit - 60"L
BE-J66	190	8 wire cable / 4 circuit - 66"L
BE-J72	200	8 wire cable / 4 circuit - 72"L
BE-J78	211	8 wire cable / 4 circuit - 78"L
BE-J84	222	8 wire cable / 4 circuit - 84"L
BE-J96	239	8 wire cable / 4 circuit - 96"L
BE-J120	279	8 wire cable / 4 circuit - 120"L
BE-J216	519	8 wire cable / 4 circuit - 216"L

BE-HC

Harness connector F/F



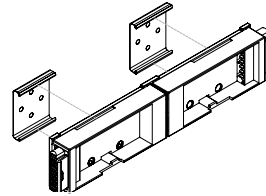
- Used to connect jumper cables;
- 1-1/2" x 2-1/4".



Code	\$	Description
BE-HC	54	

BE-DHB

Single sided power block



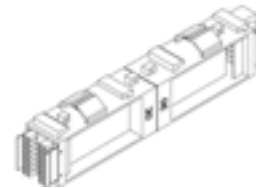
- Maximum of 2 duplex per block;
- Includes mounting plates ;
- F/F ;
- For 8-trac system ;
- Duplex ordered separately.



Code	\$	Description
BE-DHB	106	

BE-DBSM

Double sided power block



- Maximum of 4 duplex per block;
- For 8-trac system ;
- Slide mounting sold separately ;
- F/F ;
- Duplex ordered separately.



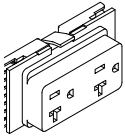
Code	\$	Description
BE-DBSM	152	

Accessories

Electrical Accessories

BE-D20-C

Duplex



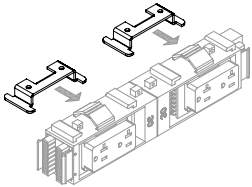
- 20 Amp;
- Height 1-1/18";
- For BE-DHB & BE-DBSM blocks ;
- Colors: Black or white ;
- Maximum of 10 Duplex per circuit.

Code	\$	Description
BE-D20-C-1-BL	48	
BE-D20-C-2-BL	48	
BE-D20-C-3-BL	48	
BE-D20-C-4-BL	48	
BE-D20-C-1-WH	54	
BE-D20-C-2-WH	54	
BE-D20-C-3-WH	54	
BE-D20-C-4-WH	54	



BE-SM58-2

Slide mount bracket



- 2 brackets;
- Only for the double power block (BE DBSM);
- 5/8" height;
- Screws included.

Code	\$	Description
BE-SM58-2	42	



WM

Velcro Tie

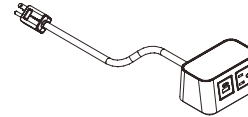


- Velcro tie for electrical cable;
- The non-metallic buckle is safe to use around electrical devices;
- Dimensions: 3/4" x 10";
- Color: black.

Code	\$	Description
WM	13	Unit price
WMS	14	with #8, 9/16" Robertson screw, per unit

BR1

Branch unit

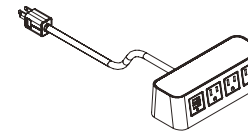


- 1 power outlet / 1 dual charger USB-a+;
- Table top with braided storm 120 IN power cord.

Code	\$	Description
BR1BL	522	Black
BR1WH	522	White

BR2

Branch unit

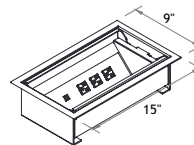


- 3 power outlet / 1 dual charger USB-a;
- Table top with braided storm 120 IN power cord.

Code	\$	Description
BR2BL	671	Black
BR2WH	671	White

OAS

Oasis



- OAS A: 6 power receptacles, 2 USB (chargers), cutout for 1 Telecom plate;
- OAS B: 6 power receptacles, 2 USB (chargers), HDMI F/F with 36" patch cord attached, Mini Stereo Inline, 15 Pin HD VGA F/F with 72" patch cord attached;
- OAS C: 6 power receptacles, 2 USB (chargers), HDMI F/F with 36" patch cord attached;
- 108" power cable with electric plug;
- Satin Nickel finish.



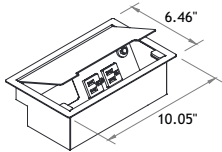
Code	\$	Description
OASA	2619	
OASB	3035	
OASC	2830	

Accessories

Electrical Accessories

INT

Interact



- Interact:
 - 72" power cable with electric plug for INT A, INT B and INT C models;
 - Satin Nickel finish.
- INT A: 2 power receptacles and a cutout for 1 telecom plate, 3rd electrical outlet on underside.
- INT B: 2 power receptacles, 3rd electrical outlet on underside, HDMI F/F with 36" patch cord attached, Mini Stereo Inline, 15 Pin HD VGA F/F.
- INT C: 2 power receptacles, 3rd electrical outlet on underside, HDMI F/F with 36" patch cord attached.



Code	\$	Description
INT A	721	
INT B	1137	
INT C	932	

With electric plug

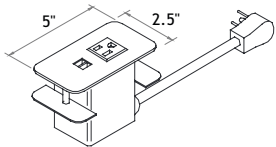


Code	\$	Description
INT A HW	555	
INT B HW	1137	
INT C HW	931	

Hardwire: to be connected to an electrical box by an electrician.

COV1

Cove Unit



NOT AVAILABLE

- 108" power cable with electric plug;
- Satin nickel finish.

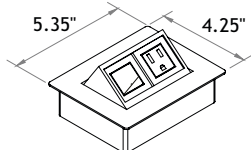


Code	\$	Description
COV1	581	1 power, 2 USB (chargers)



MH3A

Connectivity unit



- Retractable connectivity unit with 1 electrical outlet and 1 empty telecommunication outlet (outlet not included);
- 72" or 120" power cable with electric plug;
- Finish: Satin Nickel.



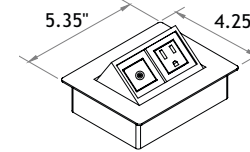
Code	\$	Description
MH3A	401	Satin Nickel, 72" power cable



MH3A120	415	Satin Nickel, 120" power cable
---------	-----	--------------------------------

MH3B

Connectivity unit



- Retractable connectivity unit with 1 audio jack and 1 electrical outlet;
- 72" or 120" power cable with electric plug;
- Finish: Satin Nickel.

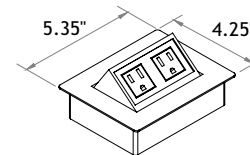


Code	\$	Description
MH3B	401	Satin Nickel, 72" power cable
MH3B120	415	Satin Nickel, 120" power cable



MH3C

Connectivity unit



- Retractable connectivity unit with 2 electrical outlets;
- 72" or 120" power cable with electric plug;
- Finish: Satin Nickel.

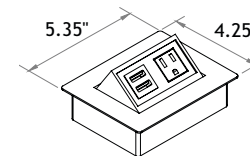


Code	\$	Description
MH3C	401	Satin Nickel, 72" power cable
MH3C120	415	Satin Nickel, 120" power cable



MH3D

Connectivity unit



- Retractable connectivity unit with 1 electrical outlet and 2 USB (chargers);
- 72" or 120" power cable with electric plug;
- Finish: Satin Nickel.

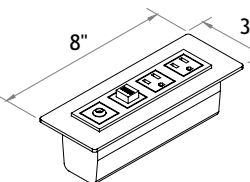


Code	\$	Description
MH3DSN	401	Satin Nickel, 72" power cable
MH3DSN120	415	Satin Nickel, 120" power cable
MH3DBL	401	Black, 72" power cable
MH3DBL120	415	Black, 120" power cable
MH3DWH	401	White, 72" power cable
MH3DWH120	415	White, 120" power cable



MH4

Connectivity unit



- Flat mounted connectivity unit with 2 electrical outlets, 1 audio jack input and 1 USB (charger);
- 72" power cable with electric plug;
- Finish: Black.



Code	\$	Description
MH4	435	

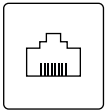


Accessories

Electrical Accessories

POR 01

RJ45, CAT 6 connectivity port

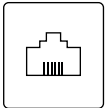


- RJ45, CAT6 connector;
- RJ45 M/F cable - 72" ;
- Finish: Black.

Code	\$	Description
POR 01	144	

POR 02

RJ11 connectivity port

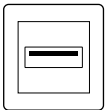


- RJ11 connector, 4 pin
- RJ11 M/F cable - 84";
- Finish: Black.

Code	\$	Description
POR 02	42	

POR 03

USB connectivity port

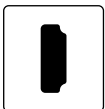


- 1 USB (data/passive);
- USB M/F cable - 72";
- Finish: Black.

Code	\$	Description
POR 03	89	

POR 04

HDMI connectivity port

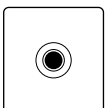


- HDMI connector;
- HDMI F/F cable - 18";
- Finish: Black.

Code	\$	Description
POR 04	131	

POR 05

Mini Stereo Jack

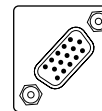


- 3.5 mm Mini Stereo Jack, M/F;
- Audio M/F cable -120";
- Finish: Black.

Code	\$	Description
POR 05	47	

POR 06

VGA Connector

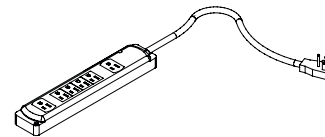


- VGA connector, 15 pin;
- VGA M/F cable -120";
- Finish: Black.

Code	\$	Description
POR 06	167	

F-714

Power bar



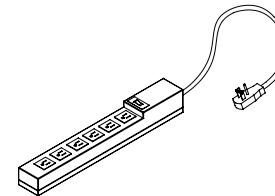
- Power bar with 6 AC 15 Amp electric outlets;
- 120", 14-3 power cable with electric plug.



Code	\$	Description
F-714	118	

PBL

Power bar



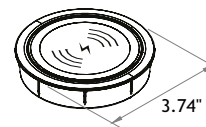
- Power bar with 6 electric outlets;
- 120" power cable with electric plug.



Code	\$	Description
PBL	65	

QIBL

Wireless Charger



- Air charger wireless;
- Qi compatible device;
- 72" power cable with electric plug;
- Finish: Black.



Code	\$	Description
QIBL	624	

QIRE

Qi Adapter



- Receiver to adapt devices not Qi compatible.
- Built-in connections for Apple 30 pin and lightning, Micro-USB.

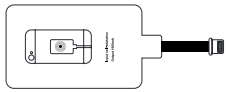
Code	\$	Description
QIRE	171	

Accessories

Electrical Accessories

QIIP

Transmitter for iPhone

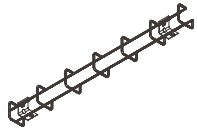


- Receiver for phones without Qi technology;
- For wireless charge devices;
- Adapter for Apple lightning port.

Code	\$	Description
QIIP	112	

CT

Metal cable tray

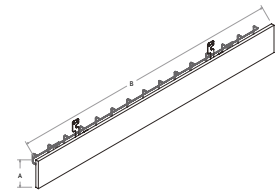


- Metal cable tray
- In stainless steel;
 - Dimensions: 2x4; Interior dimensions: 1-7/8"D x 1-7/8"H
 - Length of 24" and 118" (118" can be cut on site).
 - With mounting hardware

Code	\$	Description
CT24	64	
CT118	110	

CTCOVER

Laminate cover



- Laminate cover for cable tray;
- Mounting brackets;
- Dimension "B" is 1/4" recessed.

Code	\$	Description
06 30	53	6 x 30
06 36	58	6 x 36
06 42	64	6 x 42
06 48	69	6 x 48
06 54	76	6 x 54
06 60	81	6 x 60
06 66	87	6 x 66
06 72	92	6 x 72
06 78	99	6 x 78
06 84	104	6 x 84

DSG

Double-sided grommet

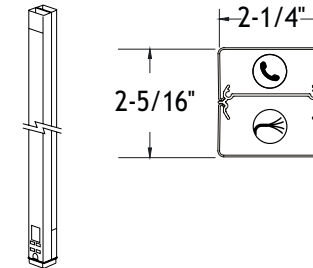


- Double-sided grommet
- Hole diameter: 2.5"
 - Use for electrical cable management with division panels. Drilling to be done by the installer.
 - Grommet to cut on site for desired thickness to cover;
 - Can not be cut with a simple utility knife, use a sharper and safer tool.

Code	\$	Description
DSG BL	29	Black
DSG WH	29	White

WMP

Wire Management Pole

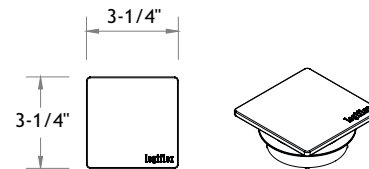


- Blank steel pole to bring cables from the ceiling to a work station;
- Satin nickel finish with a grey boot base;
- 2 compartments: 1 power/1 communications
- Mounting hardware, entrance end plate and ceiling trim plate included;
- Wires and outlets not included;
- Height: 12' 5".

Code	\$	Description
WMP	455	

C_PF

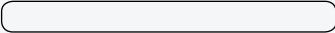
Grommet



- Square metal grommet with the Logiflex logo engraved;
- Finish: Satin Nickel, Black and Chrome;
- 2-1/2" diameter cutout.

Code	\$	Description
CAPF	26	Unit price - Satin Nickel
CBPF	26	Unit price - Black
CCPF	26	Unit price - Chrome
CDPF	26	Unit price - White

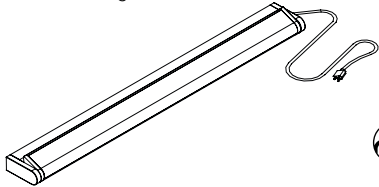
Accessories



Electrical Accessories

DEL20

LED task light



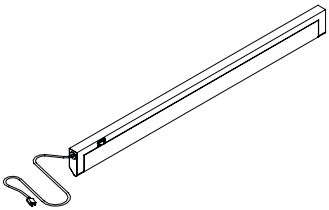
- 20" LED task light, 7.5W, cool white;
- 180° swivel feature;
- 72" power cable with electric plug;
- 20" connection wire for DEL20 task lamps;
- Finish: Satin nickel.



Code	\$	Description
DEL20	218	20" length

T5

Florescent task light



- Florescent lamp (T5) with swivel reflector and electronic ballast;
- 120" power cable with electric plug;
- 16" connection wire for T524, T536 or T548 florescent task lamps;
- Finish: Black and Satin Nickel



Code	\$	Description
T524 BL	177	24" length - Black
T524SN	177	24" length - Satin Nickel
T536 BL	238	36" length - Black
T536 SN	238	36" length - Satin Nickel
T548 BL	314	48" length - Black
T548 SN	314	48" length - Satin Nickel

As our product line is constantly evolving and expanding, we recommend that you visit logiflex.ca for updates.

logiflex

1235 St-Roch N., Sherbrooke QC J1N 0H2 Canada
T : 1.877.864.9323 | F : 1.800.474.7830 | logiflex.ca

