

LEVEL

Price List
CANADA 2023



logiflex

Table of Contents

Introduction	3	Desks / Double and benching	37	Collaborative Furniture	108
Update Summary	4	Double Rectangular Desks	38	Surface Units	109
Product Map	5	Double Layering Desks	39	Shelf for Shared Desks	110
Our social responsibility	9	Double Installed Desks	43	Wall Hutches	113
Conditions of Sale	9	Shared Benching Workstation - 1-sided	45	Desk Hutches	119
Manufacturing Standards	10	Shared Benching Workstation - 2-sided	49	Storage Hutches	122
How to Use the Price List	11			Shared Desk Hutches	125
How to Order Double and Triple Desks	12	Secondary Desks	53	Shared Storage Hutches	128
Appendix A: Colors and Finishes	13	Returns	54		
Appendix B: met and Communication Box	14	Double Returns	56	Collaborative Furniture	131
Appendix C: Pedestal Cushion	15	Bridges	58	Collaborative and Multimedia Tables	132
Appendix D: Modesty Panel	17				
Appendix E: Wood Grain	17	Floor Storage	59	Divider Screens	136
Appendix F: Utility and File Drawers	17	Low Pedestals	60	Acrylic	137
Appendix G: Layering Desk Supports	18	Mobile Pedestals	64	Laminate	141
Appendix H: Hutch Applications	19	High Pedestals	67	Tackboards	144
Appendix I: Divider Screens	20	Shared High Pedestals	77		
Appendix J: Calculation/Use of Electrical Components	21	Credenzas	80	Accessories	148
Appendix K: Electrical Wire Management Solutions	24			Handles	149
		Storage Units	85	Keyboard Trays	150
Desks / Individual	29	Leg Base Storage	86	CPU Holders	151
Rectangular Desks	30	Sliding Wardrobe Towers	88	Computer Monitor Brackets	152
Layering Desks	31	Wardrobe Towers	91	Miscellaneous Accessories	154
Installed Desks	35	Storage Towers	97	Electrical Accessories	156
Layering Installed Desks	36	Bookcases	103		

Update Summary

The Level price list presents these principal modifications:

DATE	SECTION	MODIFICATIONS
July 4, 2023	Electrical accessories	<ul style="list-style-type: none"> Chicago Code : Certain electrical components are now marked prohibited or restricted for orders in Chicago. (USA pricelist only).

Previous updates:

DATE	SECTION	MODIFICATIONS
May 22, 2023	Mobile Pedestals	<ul style="list-style-type: none"> Addition of lock option for MOBC and MOBD.
February 1, 2023	All the Price List	<ul style="list-style-type: none"> All prices have been increased by approximately 5%. Transition from 6 to 14 grades of fabric. New certification Indoor Advantage Gold (replace Greenguard).
December 1, 2022	Divider screens	<ul style="list-style-type: none"> Removal of the divider screen C2.
	Electrical accessories	<ul style="list-style-type: none"> Adjustment of the names and images of certain items.
July 1, 2022	All the Price List	<ul style="list-style-type: none"> All prices have been increased by approximately 5%. Replacement of the 1 circuit and 4 circuits electrical system.
	Appendix A	<ul style="list-style-type: none"> Color availability chart update for the HPL.

Introduction

Product Map

Desks / Individuals

Rectangular Desks p. 30

Layering Desks p. 31

Installed Desks p. 35

Layering Installed p. 36

Desks / Doubles & benching

Double Rectangular Desks p. 38

Double Layering Desks p. 38

Double Installed Desks p. 43

Triple 120 Degree Desks p. 44

Shared Benching Workstation - 1-sided p. 45

Shared Benching Workstation - 2-sided p. 49

Secondary Desks

Returns p. 54

Double Returns p. 56

Bridges p. 58

Introduction



Product Map

Floor Storage

Low Pedestals p. 60

Mobile Pedestals p. 64

Sliding-Surface Pedestals p. 67

High Pedestals p. 67

Shared High Pedestals p. 77

Credenzas p. 80

Storage towers and bookcases

Leg Base Storage p. 86

Sliding-Wardrobe Towers p. 88

Wardrobe Towers p. 91

Shared Storage Towers p. 97

Bookcases p. 100

Storage Towers p. 103

Introduction

Product Map

Wall & Surface Storage

Surface Units p. 109

Shelf for Shared Desks p. 110

Wall Units p. 113

Desk Hutches p. 119

Storage Hutches p. 122

Shared Desk Hutches p. 125

Shared Storage Hutches p. 128

Collaborative Furniture

Collaborative and Multimedia Tables p. 132

Introduction



Product Map

Divider Screens

Acrylic p. 137

Laminate p. 141

Tackboard p. 144

Electrical Accessories

Electrical Accessories p.159





Our social responsibility

At Logiflex, we have chosen to be a responsible North American manufacturer by implementing initiatives for sustainable development. As much as possible, we source local materials and partner with suppliers who prioritize clean manufacturing processes. We also consolidate goods during transport to reduce our fuel consumption and we continually make changes that help reduce our waste production.

The company is ISO 9001 certified.

You can consult our eco-responsible approach as well as all our certifications in the [Certifications](#) section of our website. Find out how our products can help you obtain LEED credits and the Logiflex products that are Indoor Advantage Gold certified.

Conditions of Sale

Prices

The amounts listed in this document are suggested retail prices and may be changed without notice. Applicable taxes are not included. If you have an open and active account with Logiflex, merchandise will be invoiced at the prices prevailing at the time of shipment. A deposit may be requested if the opening of your account has not been completed or if your account has become inactive.

Terms of Payment

Net 30 days F.O.B. Sherbrooke, Quebec. The invoice will be assigned the shipping date and is payable 30 days from that date. Logiflex remains the owner of the merchandise until the invoice is paid in full.

Customized Products (Special Items)

Price requests for customized products or special items can be submitted via the ["Private Space"](#) section of our website, at www.logiflex.ca. Our quotations department will study your request and send you a quotation and a technical drawing for approval as soon as possible. Modifications to quotations or technical drawings can be requested the same way. The approved quotation(s) and technical drawing(s) can then be attached to your purchase order.

Orders

An official purchase order must be issued for all purchases. Your purchase order must contain the following information:

- Your company letterhead
- Your reference number
- The delivery address (with contact name, email and phone number)
- The complete product codes
- Furniture colour(s)
- Quantities
- Descriptions
- Retail prices and net prices
- Project registration number (if applicable), and your approved quotation and technical drawing (for special items).

Please note that a quotation cannot serve as a purchase order.

Returns

All returns must first be approved by Logiflex. If the return is accepted, a Logiflex customer service representative will send you an official return authorization form in order to facilitate procedures between you, the carrier, and the Logiflex merchandise reception clerk. Additional costs for shipping or other expenses may be applied following any merchandise returns.

Modifications and/or Cancellations

You have 48 hours from the time we acknowledge receipt of your order to make any requests for corrections or modifications. You may cancel your order during this same 48-hour period. If you would like to modify or cancel your order after this 48-hour verification period, please check with a Logiflex customer service representative. Orders cannot be changed or cancelled if production has already begun or if Logiflex has already received the raw materials.

Liability

Logiflex's liability ends once the carrier has delivered all items in good condition. A delivery receipt signed by the customer acknowledges that the shipment is complete and has been received in good condition.

Claims

Logiflex recommends inspecting the shipment before signing the carrier's delivery receipt. You must notify Logiflex of any incomplete shipments or damaged furniture within 30 days after delivery. Requests to replace damaged products can be made via the ["Private Space"](#) section of our website, at www.logiflex.ca. Our after-sales service department will examine your request and help you correct the situation.

Changes

Logiflex reserves the right to make changes to the materials, accessories, components, specifications and designs, and to discontinue collections and/or models, at any time and without prior notice.

Storage and/or Shipping Fees

According to the terms Logiflex set forth in the transport policy. The transport policy can be consulted online in the Private Space.

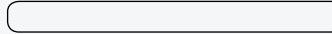
Items Delivered Disassembled

Some items are delivered disassembled, such as empty desks, empty returns, bridges, arched tables, D, P or Q tables, lateral tables, end tables, hook tables, corner tables and extended-corner tables.

Warranty

Logiflex guarantees to the original purchaser that Logiflex products are free from defects in design, materials and workmanship for the product's lifetime, with certain exceptions.

You may consult the full warranty on the website: [Logiflex Warranty](#)



Manufacturing Standards

Knocked Down Furniture

Desks are delivered knocked down.

Top

Workstation worksurfaces are 1" thick.

Handles

Handles are included for all furniture items with doors or drawers, with the exception of wall cabinet units. The standard handle for laminate drawers and doors is H052CHR, but it is possible to specify a different handle model, at no extra charge. See Accessories on [p. 149](#) for further details of the available handles. The standard handle for glass doors with aluminum frames is an aluminum handle built into the door.

Grommet

Grommet is included, except for rectangular and layering primary desks. The grommet is the CCPF. See [Appx. B](#) for further details.

Locks

Locks are optional, except for mobile pedestals, and come with a satin nickel finish. See Accessories on [p. 154](#) for further details.

Drawers

All drawer interiors are constructed of 7/16" black panels and all drawer bottoms are made of 1/8" masonite panels.

Drawer Fronts

A PVC strip 1.5 mm thick is systematically applied along all drawer front edges.

Wood grain

Wood grain is vertically matched for all furniture fronts. See [Appx. E](#) for further details.

Levelers

All furniture items (except bridges) sit on 1" in diameter, white nylon levelers, allowing for up to 1-1/4" height adjustment.

Modesty panels

Modesty panels are optional, except for double desks, desks without metal legs and with at least one laminate leg. See [Appx. D](#) for further details on modesty panels.

Fronts

Fronts hide the surface for all storage units and towers. For all pedestal storage units and credenzas, the surface has a 5/8" lip and the furniture fronts are positioned under the surface.

Finishes

The metal legs and handles have a standard chrome finish. It is possible to specify another finish. See [Appx. A](#) for further details on the available metal finishes.

Support bar

The support bar is centered at 12" to the visitor side of the top when its included (see the Manufacturing Standards of the desk). Subtract 13-1/2" to the total dept of the desk to know the clearance on the user side under the top.

Introduction

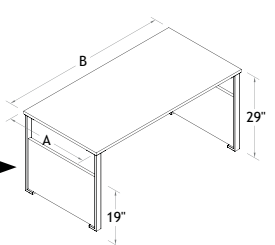
How to Use the Price List

Interactive menu product line → **Primary Desks**

Product group → **Rectangular Desks**

Product name → **Rectangular Desks**

Product code → **ex.: YY**

Product image → 

Illustrated options → **Options**

Navigation buttons (when blue) → **P, PM, FM, MGR, C.PF, A, B/C, D, WAVC, QIBL, QISL**

Ordering instructions → **How to Order**

Navigation buttons → Previous View, Previous Page, Next Page, Product Map, Table of Contents

Product-specific manufacturing standards → **Manufacturing Standards**

Additional product information and notes → **See Appendix A for the metal finishes available (no extra charge).**

Prices → **Prices**

Dimensions → **Dimensions**

Blue text hyperlink → **QI (Appx. B)**

Standard Product Code
Details as per the price listed

Options, if desired (\$)
Always after the product code

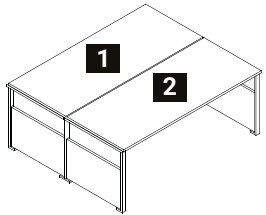
Introduction

How to Order Double and Triple Desks

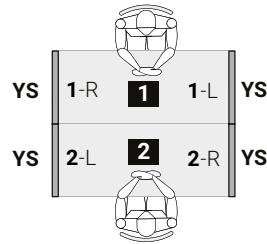
Choose the desired leg type and specify each desk leg **individually** on their respective "Order" lines.

Important Note: Shared legs must be the same on adjoining desks.

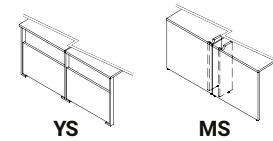
How to Order a Double Desk



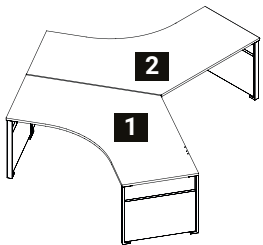
How to Order				
	A	B	YS MS WS	YS MS WS
1	LV			
2	LV			
	series	dimensions	left leg	right leg
Example 1	LV	3060	YS	YS
Example 2	LV	3060	YS	YS



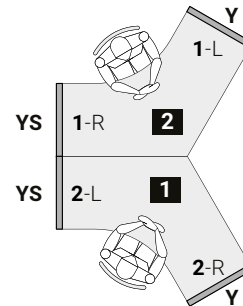
Shared Leg Choices



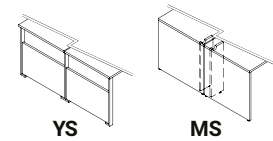
How to Order a Double 120 Degree Desk



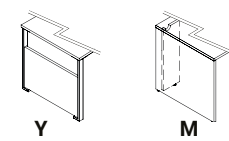
How to Order				
	A	B	YS WS MS W MM	YS WS MS Y MM
1	LV		120DD	
2	LV		120DD	
	series	dimensions	code	left leg
Example 1	LV	3060	120DD	YS
Example 2	LV	3060	120DD	Y



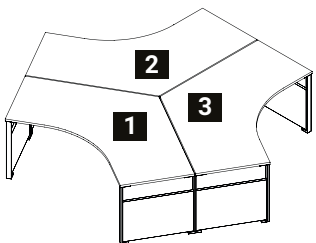
Shared Leg Choices



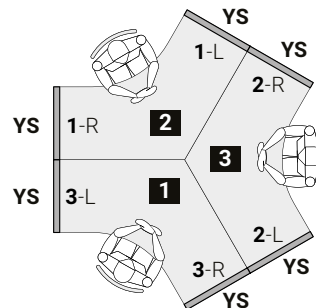
Single Leg Choices



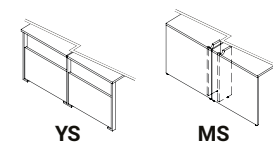
How to Order a Triple 120 Degree Desk



How to Order				
	A	B	WS MS YS	WS MS YS
1	LV		120DT	
2	LV		120DT	
3	LV		120DT	
	series	dimensions	code	left leg
Example 1	LV	3060	120DT	YS
Example 2	LV	3060	120DT	YS
Example 3	LV	3060	120DT	YS



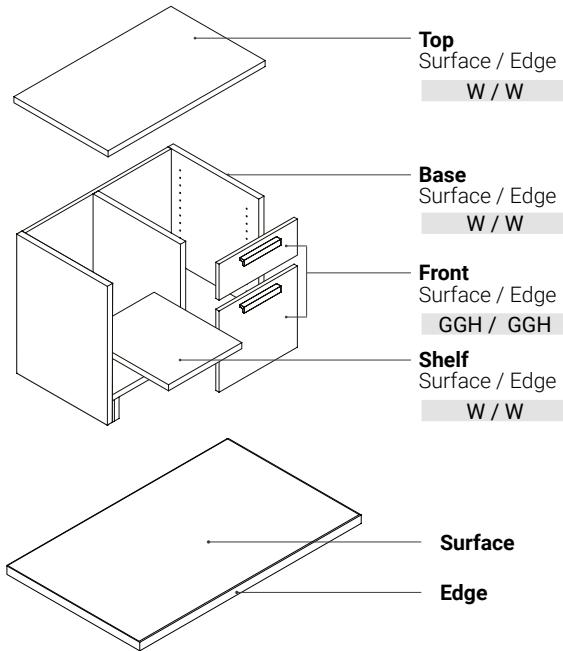
Shared Leg Choices



Introduction

Appendix A: Colors and Finishes

How to specify your laminate colors



Metal Finishes

- CHR** Chrome
- SN** Satin Nickel
- BL** Black
- WH** White

Glass and Acrylic

- V4** White Glass
- V5** White Satin Glass
- KB** Jet Black Glass
- KS** Black Satin Glass
- KE** Ocean Blue Glass
- KO** Overseas Blue Glass
- KR** Bright Red Glass
- KM** Metallic Grey Glass
- KA** Satin Silver Glass
- KG** Satin Gold Glass
- VS** Frosted Glass
- PL** Frosted Acrylic

Availability Chart

FINI FINISH	CODE	COLOR COULEUR	THICKNESS ÉPAISSEUR			HPL STRATIFIÉ	PANVAL CODE
			5/8"	1"	1-5/8"		
OMNIA	DOO	Dosha	•	•		•	K77
	COO	Cosmos	•	•		•	K78
AURA	GIA	Ginger Root Gingembre	•	•		•	H72
	HAA	Haze Brume	•	•	•	•	H57
	OHA	Ohm	•	•	•	•	K69
	STA	Storm Tempête	•	•	•	•	H58
	TUA	Tundra	•	•		•	H75
LYRA	ASY	Asha	•	•		•	K47
	CIY	Chiffon Mousseline **	•	•	•	•	K60
	KAY	Kali	•	•		•	K46
SUPERMAT	IGS	Ingot grey Gris lingot	•	•			828
	WGS	Willow grey Gris saule	•	•			802
DOLOMITE	AU	Audacity Audace **	•	•	•	•	241
	B	Jet Black Noir intense *	•	•		•	888 S405-CA
	BC	Brown cherry Cerisier brun	•	•	•	•	207
	C	Slate Ardoise *	•	•		•	801
	DR	Driftwood Bois de rive	•	•		•	744
	G	Mink Grey Gris vison	•	•		•	805 OU-927
	NM	Natural Maple Érable naturel	•	•	•	•	206
	PO	Porto	•	•		•	913 OU-648
	SW	Smoked Walnut Noyer fumé	•	•	•	•	G21
	TO	Tobacco	•	•		•	205
	W	Polar White Blanc polaire	•	•	•	•	555 459-CA
	WK	Whisky	•	•	•	•	245
HIGH GLOSS SUPER LUSTRE	W-H	Polar White - fronts Blanc polaire - façades	•				

* Non recommended color for work surfaces.

** For conference tables with 2 or more parts, we do not recommend the use of colors with irregular and contrasted woodgrain like Chiffon, Audacity or Coastal Pear as it results in a pronounced wood grain mismatch.

Colors may vary from 2% to 5% between tfl and hpl laminates due to different technical applications.

See our complete [Colors & Finishes Guide](#)

New

Introduction

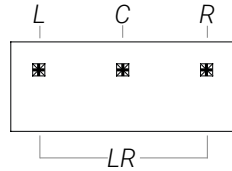
Appendix B: met and Communication Box

Grommet

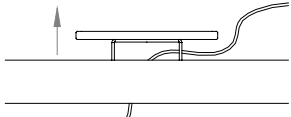


C_PF

Square metal grommet in satin nickel, chrome and black finish



Position : L, R, C, LR



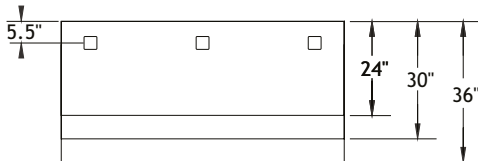
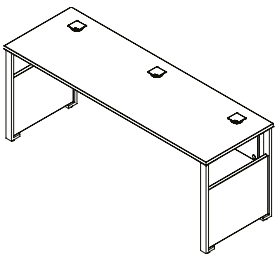
Open position

Allows wire management

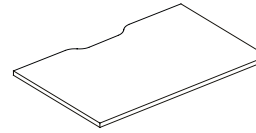


Closed position

When a desk is 24" deep, it is not recommended to order a grommet in the centred position because the available workspace is reduced. It is recommended to replace the centred grommet with a cutout for wires WAVC.



Cutout for wires



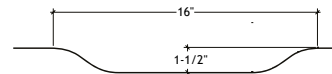
WAVC

Wire management cut-out

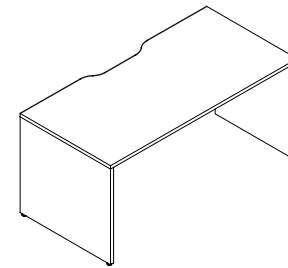


C

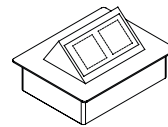
Position: C



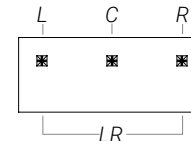
Dimensions



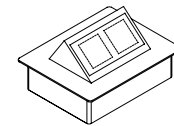
Connection Unit



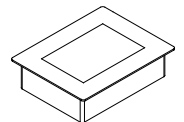
MH3



Position : L, R, C, LR

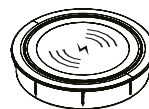


Open position
Push to open



Closed position

Wireless Charger

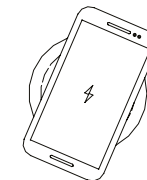


QIBL



A

B

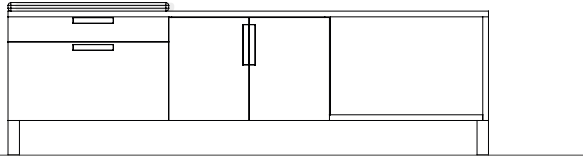


Charges Qi capable devices

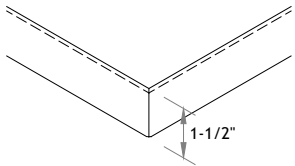
Introduction

Appendix C: Pedestal Cushion

Application

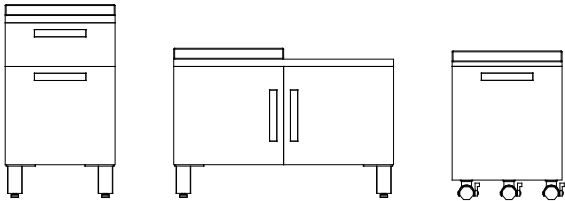


Left cushion (CL) on a high pedestal (UN02L)



1-1/2" thick cushion with stitching on its perimeter and seam at the four corners.

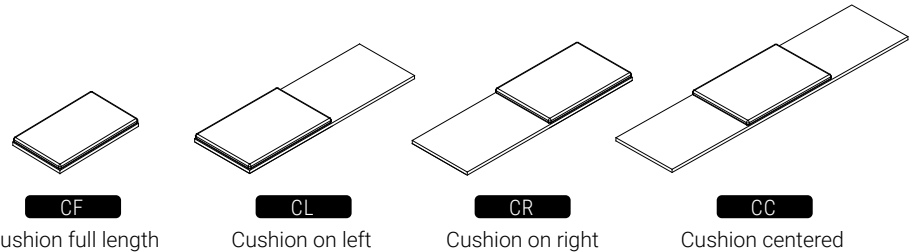
Availability



Available on all:

- High pedestals
- Low pedestals
- Mobile pedestals

Position

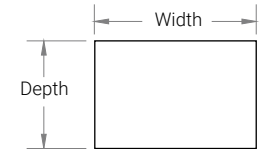


Attention: Specify cushion code along with its base storage to ensure the right dimensioning.

COM Fabric

number of yards required:

Depth	Width	Total
18", 20", 23"	24" - 36"	1
20"	48"	2
20"	60"	3



Upholstery Specification

Logiflex offers two options for upholstery specification:

Option 1 : Customers may specify an upholstery from any supplier. Logiflex will then confirm upholstery grade and seat cost.

Option 2 : Customers may select and purchase upholstery of their choice and ship upholstery to Logiflex (COM).

See next page for further details on these options).

Introduction

Appendix C: Pedestal Cushion (continued)

Option 1 : Specified Upholstery

Customers may consult websites of our principal suppliers to visualize their complete product range. It is then possible to consult the graded-in list available on Logiflex.ca to be informed of the appropriate Logiflex grade.

Website of the upholstery supplier gives essential information to the maintenance, availability, quality and performance of the selected upholstery. In all cases, the upholstery supplier's warranty will apply.

Information to provide with the order:

Customer name
Purchase order number
Upholstery supplier name
Pattern name/number
Color name/number
Number of yards to order

Principal suppliers:

Momentum Textiles	themomgroup.com
Ennis Fabrics	jennisfabrics.com
Maharam	maharam.com
DesignTex	designtex
Mayer Fabrics	mayerfabrics.com

Option 2 : Customer's Own Material (COM)

Logiflex offers the option of providing your upholstery. The price will be based on the cushion grade 1. The upholstery must be received three weeks prior to the acknowledged ship date. Delay in COM receiving may cause shipment to be delayed.

Customers have the option to provide Logiflex with a sample for approval prior the order. If no sample is sent for approval in advance, Logiflex is not responsible of any cost caused by unsuitable upholstery for the product or the production process. Furthermore, Logiflex reserves the right to refuse any upholstery that does not meet Logiflex selection criteria.

COM must be delivered to the Logiflex factory with freight and duties paid. All charges to COM acquisition on the customer's behalf will be passed onto the customer.

Logiflex does not assume responsibility for upholstery availability, quality, performance or appearance, the Logiflex warranty excludes customer's own materials.

The following information must be included with the COM upholstery delivery and be communicated to the account manager along with the purchase order:

Customer name
Purchase order number
Upholstery supplier name
Pattern name/number
Color name/number
Number of yards delivered

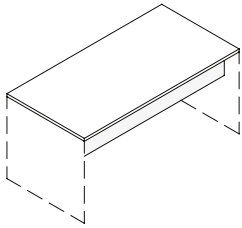
Shipping address:

Logiflex
Attn: Receiver
1235 St-Roch North Road
Sherbrooke Quebec
Canada J1N 0H2

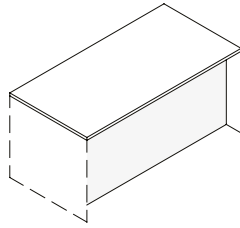
Introduction

Appendix D: Modesty Panel

Modesty Height

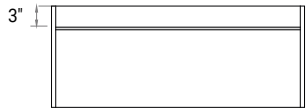


PM
Partial Modesty
(10" high)



FM
Full Modesty

Recessed



Top View

Recessed 3" for:

- Rectangular primary desks
- Layering primary desks.



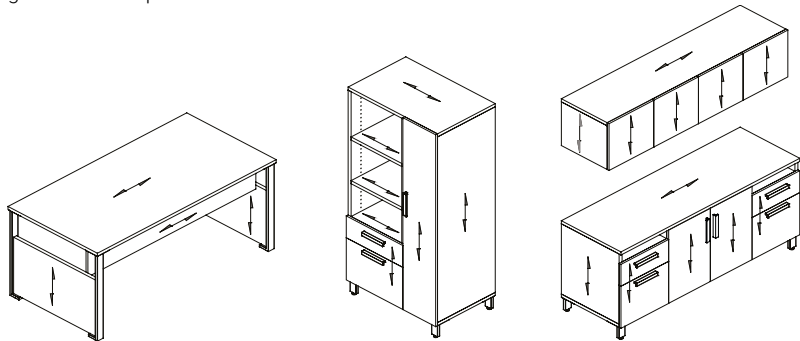
Top View

No recess for:

- Returns
- Secondary desks
- Bridges

Appendix E: Wood Grain

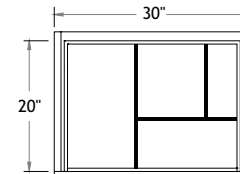
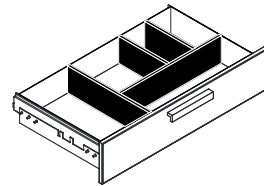
Wood grain is vertically matched for all furniture fronts. See image below for wood grain direction placements.



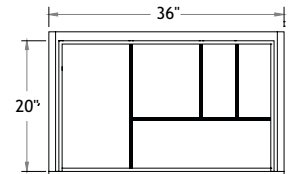
Appendix F: Utility and File Drawers

Utility Drawers

30" and 36" wide utility drawers have standard built-in dividers.



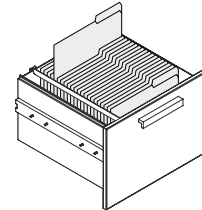
Top View



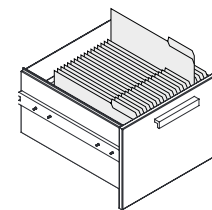
Top View

File Drawers

File drawers can receive either legal or letter formats. Please refer to the illustration below.

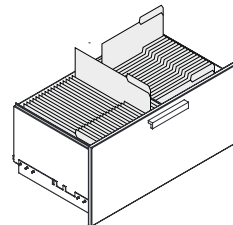


Letter format



Legal format

Lateral File Drawers



Legal and Letter formats

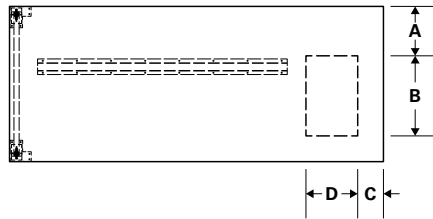
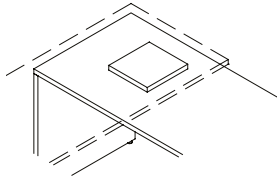
Introduction

Appendix G: Layering Desk Supports

Layering desks may be supported by different pieces of furniture such as 27" high secondary desks, as well as 25" high storage pedestals. Four types of support devices are offered. Four types of supports are offered in the same finish as the surface.

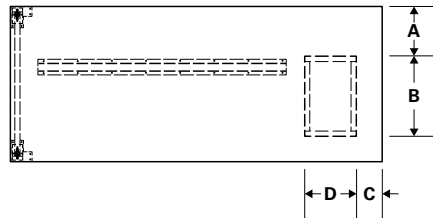
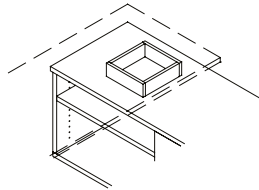
Application examples

B1
1" thick support device to be used with 27"H secondary desks



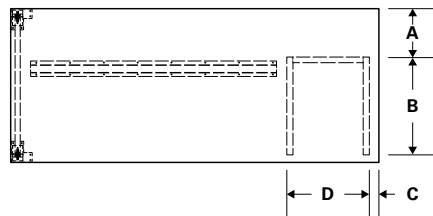
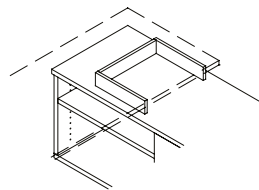
Desk depth	Dimensions			
	A	B	C	D
24"	9 1/2"	9 1/2"	5"	10"
30"	9 1/2"	15 1/2"	5"	10"
36"	9 1/2"	21 1/2"	5"	10"

B3
3" thick support device to be used with 25"H storage pedestals



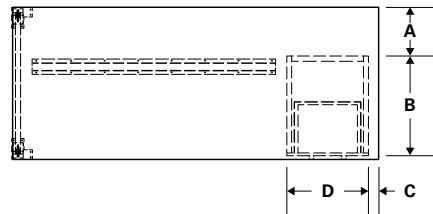
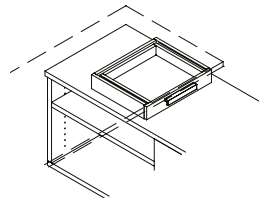
Desk depth	Dimensions			
	A	B	C	D
24"	9 1/2"	9 1/2"	5"	10"
30"	9 1/2"	15 1/2"	5"	10"
36"	9 1/2"	21 1/2"	5"	10"

PG
3" thick pigeon hole unit to be used with 25"H storage pedestals



Desk depth	Dimensions			
	A	B	C	D
24"	9 1/2"	13"	2"	16"
30"	9 1/2"	19"	2"	16"
36"	9 1/2"	25"	2"	16"

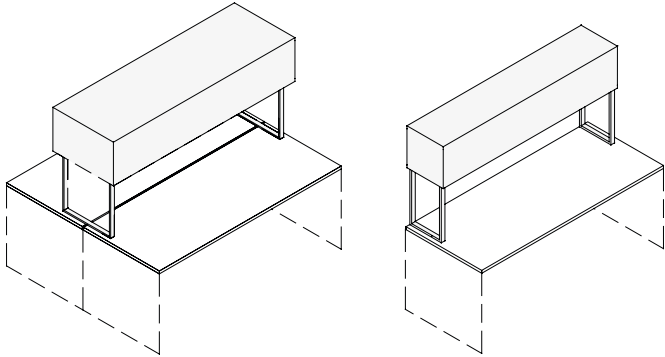
DR
3" thick drawer unit to be used with 25"H storage pedestals
Interior dimensions of the drawer: 9 3/8" P X 11 11/16" L



Desk depth	Dimensions			
	A	B	C	D
24"	9 1/2"	13 5/8"	2"	16"
30"	9 1/2"	19 5/8"	2"	16"
36"	9 1/2"	25 5/8"	2"	16"

Introduction

Appendix H: Hutch Applications

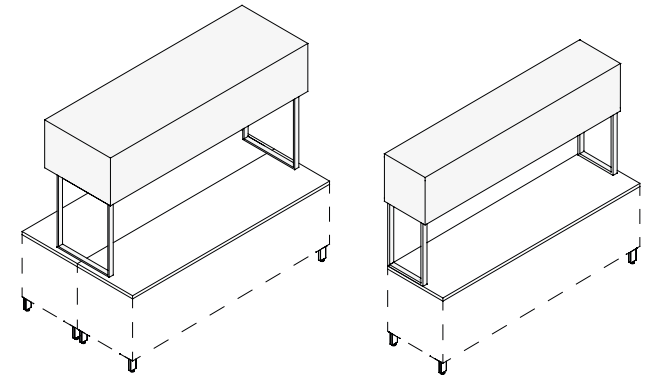


Hutches are recessed 1/4" from surfaces they are installed on.

P

Desk Application

To apply a hutch on an applicable work surface indicate "P" in the order line.

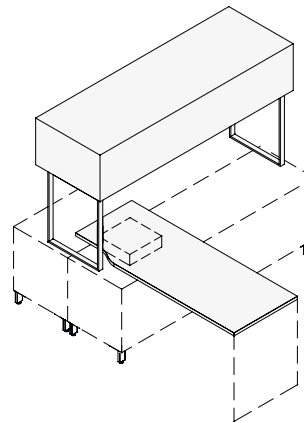


Note: *Hutches are recessed 1/4" from surfaces they are installed on.*

P

High Pedestal Application

To apply a hutch on a high pedestal application indicate "P" in the order line.



E

Layering Desk Application

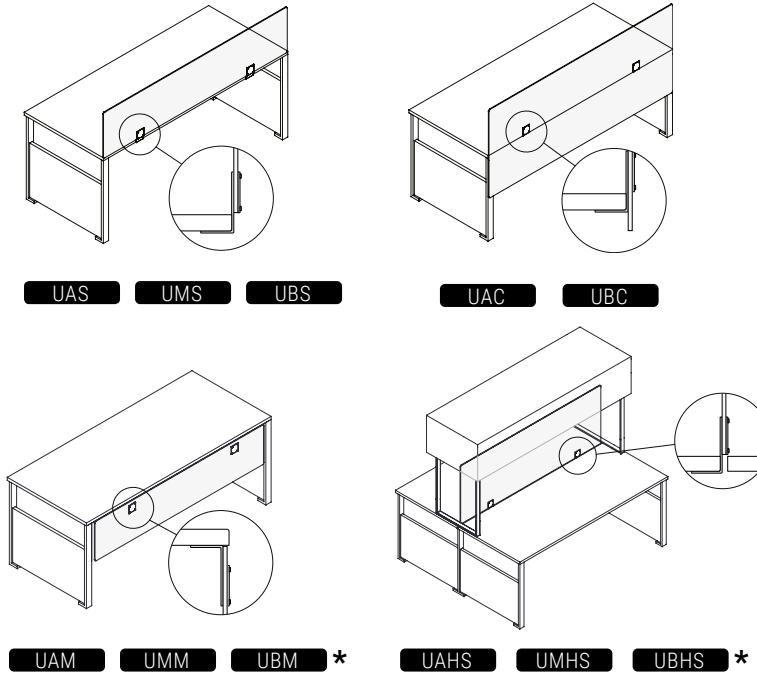
On a layering desk, a cutout can be made by indicating "E" in the order line.

Appendix I: Divider Screens

Under Mount Clip Applications

Code Definitions

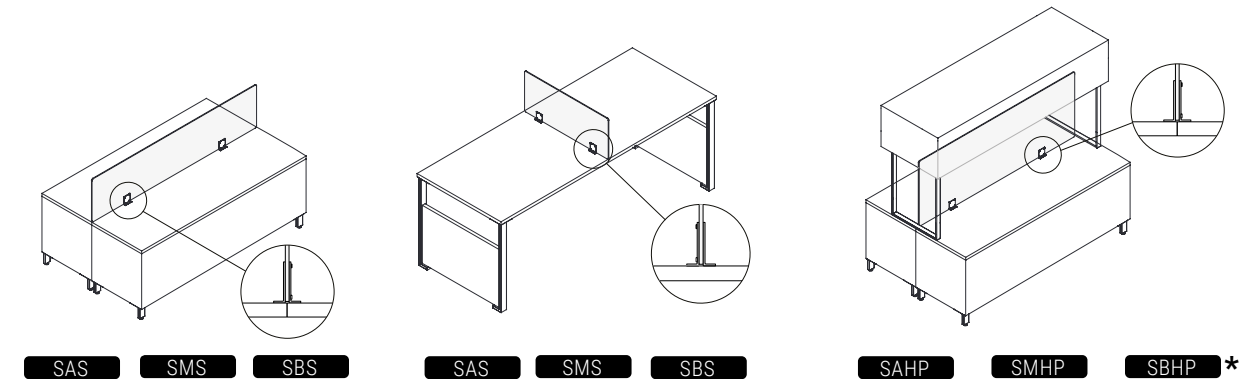
Clip	Insertion	Position	Illustration
U Under Mount	A Acrylic (C1) 1/4"	S Surface	
		C Centered	
	M Laminate 5/8"	M Modesty	
		B Tackboard 7/8" (+/- 1/8")	HS Desk Hutch



Surface Mount Clip Applications

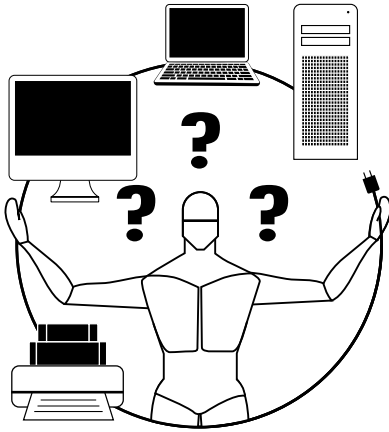
Code Definitions

Clip	Insertion	Position	Illustration
S Surface Mount	A Acrylic (C1) 1/4"	S Surface	
			M Laminate 5/8"
	B Tackboard 7/8" (+/- 1/8")	HP Storage Hutch	



***Note:** When ordering a divider screen that is between two metal legs, the total length is 6" shorter than the length of the hutch because of the width of the legs.

Appendix J: Calculation/Use of Electrical Components



An Introduction to Calculation and Use of Electrical Components

Most people are uncomfortable with anything related to electricity. This step-by-step guide is intended for people who are not familiar with electrical installations but who have to specify what system they need when ordering furniture. In this guide, you will learn how to choose and specify the electrical components required for your projects. The list that follows illustrates and identifies each product and describes its applications.

The electrical components are all recognized by the Underwriters Laboratory (UL) as office furniture accessories and are manufactured according to Canadian Standards Association (CSA) and UL electrical standards.

Note: All electrical connections must be performed by a certified electrician.

By following these 3 simple steps, you can easily determine the number of circuits required to ensure safe use of your electrical system.

1. Determining the Number of Amperes Required
2. Calculating the Total Amperes
3. Determining How Many Circuits You Need

STEP 1: Determining the Number of Amperes Required

What is Amperage

An Ampere (Amp or A) is a unit for measuring the rate at which electric current flows. All electrical equipment has an amperage rate. By following these few simple steps, you can easily determine the number of circuits required to ensure safe use of your electrical equipment.

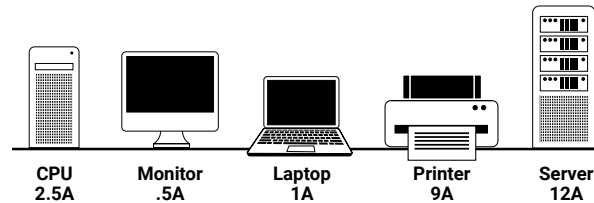
Determine the Number of Amperes Required

On your computer or other electric devices (ie: monitor, central processing unit, printer) find the plate that provides the technical specifications as follows:

Input: 120V - 1.8A.

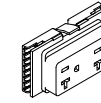
If you cannot locate this information on the machine, you will probably find it in the user manual.

Here are a few examples of how many Amps some equipment may consume. Please note that these are examples and the number of amperes may vary from one machine to another.



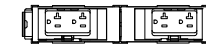
Electrical System Capacity

Our electrical system is designed for circuits of 20 amps each. This includes electrical components such as computers, printers, laptops, monitors, server or other devices.

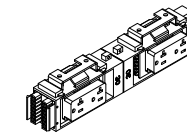


20A

A single Duplex has a maximum capacity of 20 A



Each power block can hold 2 Duplex



Each power block can hold 4 Duplex



If the duplexes are connected to the same circuit, the capacity is divided between them. For example, 3 duplexes connected to the same circuit have a total capacity of 20A.

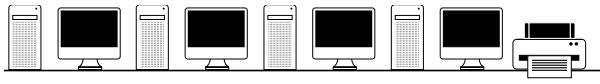
Introduction

Appendix J: Calculation and Use of Electrical Components

STEP 2: Calculating the Total Amperes

Add the Amperes

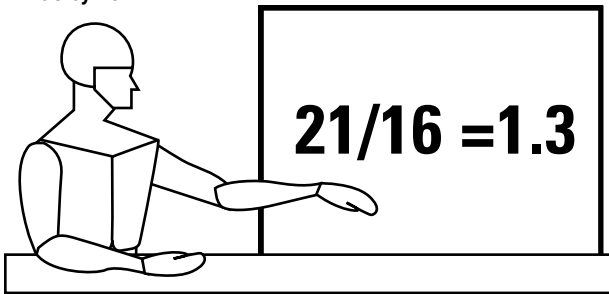
Add the number of amps for each machine. In our example, there are 4 CPUs at 2.5A per computer, 4 monitors at 0.5A and one printer at 9A.



$$2.5A + .5A + 2.5A + .5A + 2.5A + .5A + 2.5A + .5A + 9A = 21A$$

The total number of amperes used in this example equals to 21A.

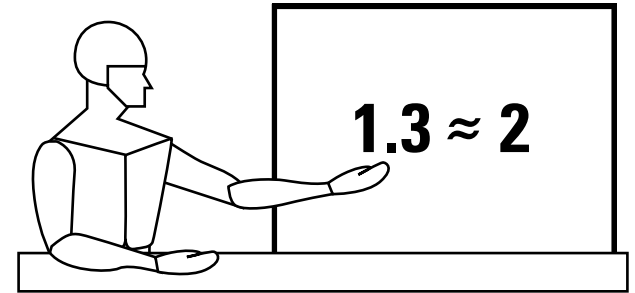
Divide by 16



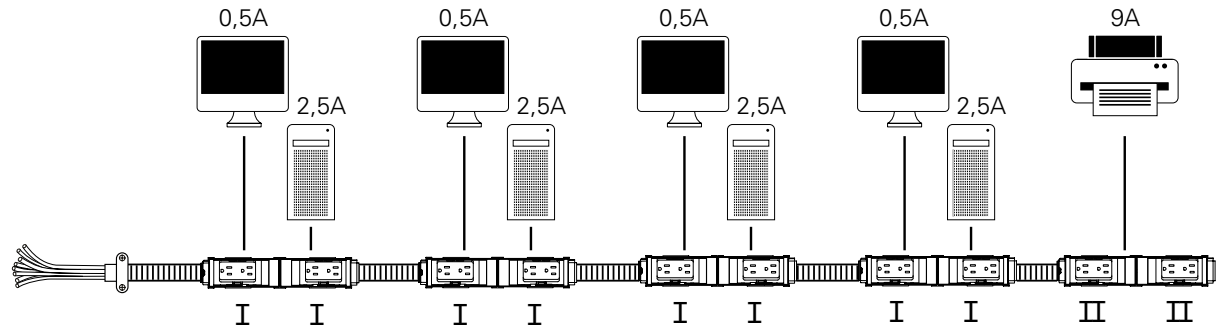
Most machines and computers used in offices or schools are used continuously for many hours at a time. In this type of situation, national electrical codes usually limit circuits at 80% of their capacity of continuous use. Our electrical system is designed for circuits of 20 amps each. So 80% of 20A is 16 Amps. You must therefore divide the total number of amperes calculated by 16.

STEP 3: Determining How Many Circuits You Need

In most cases, this number will contain decimals. Round up to the next whole number, and this will be the number of circuits required for your equipment to run safely. If the number obtained is higher than 4 (the maximum number of circuits for a system), you must reduce the total amperage or add another electrical system. Continuing with our example, the 1.3A is rounded up to 2A.



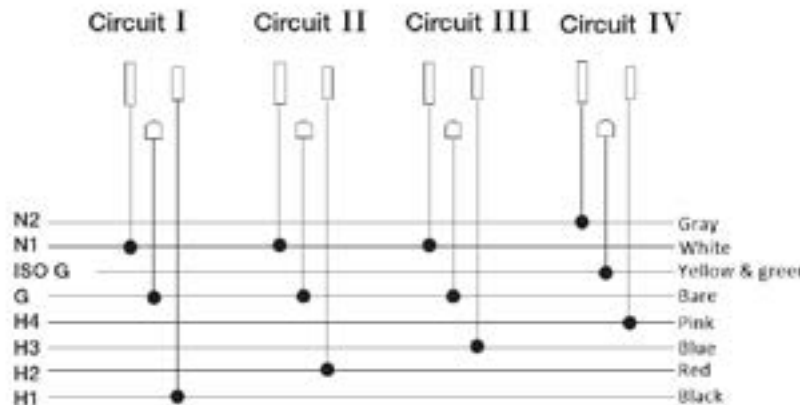
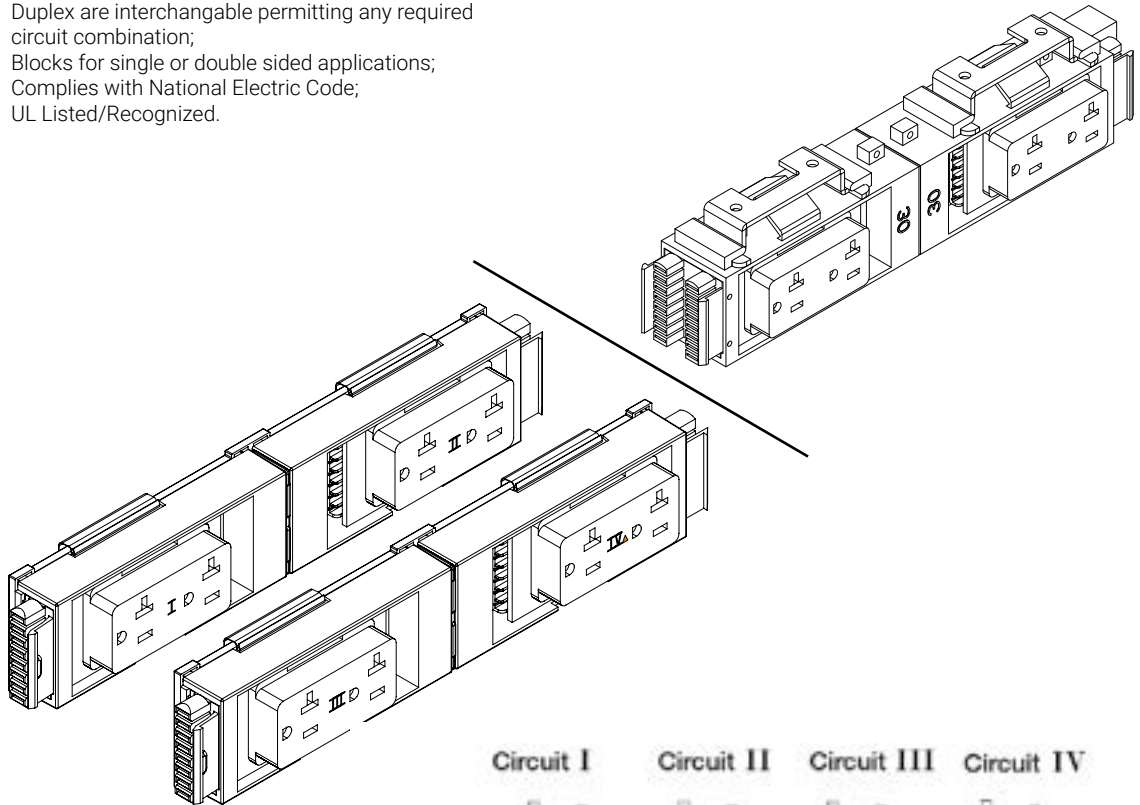
Here is one possible configuration. Using 5 power blocks joined together with junction cables, only 2 circuits are being used. The 4 workstations would be on the first circuit for a total of 16 amps. The printer would be on the second circuit.



Appendix J: Calculation and Use of Electrical Components

8 Wire, 4 Circuit (3+1) Power Block

- Duplex are interchangeable permitting any required circuit combination;
- Blocks for single or double sided applications;
- Complies with National Electric Code;
- UL Listed/Recognized.



Starter Cable with Hardwire



- 4 circuit starter cable with hardwire at one end;
- 4 circuits rated for 20 AMP each;
- Available in lengths from 12" to 180";
- Whip end to be connected to building power by an electrician.

Starter Cable with Plug



- 1 circuit starter cable with 20A electrical plug;
- Circuit rated for 20 AMP;
- Available in lengths from 36" to 180".

Junction Cable

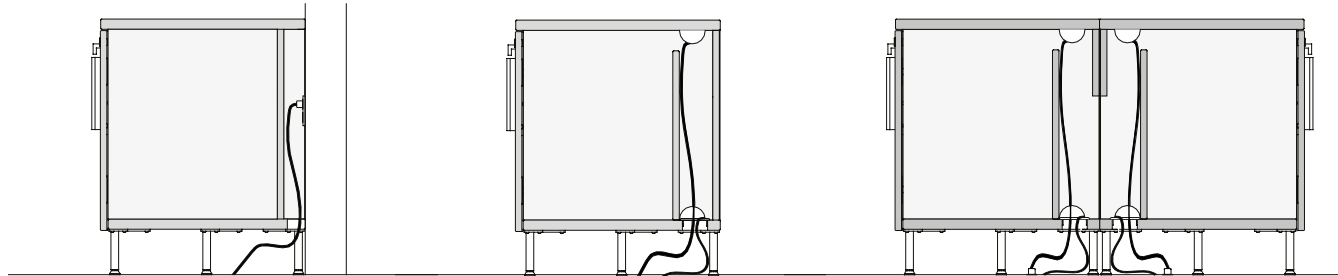


- 4 circuit cord;
- All circuits rated for 20 AMP;
- Available in lengths from 12" to 216".

Appendix K: Electrical Wire Management Solutions

Electricity for Floor Storage

The high pedestal construction can be adapted to accommodate different electrical configurations of work stations.



EM
Wall Power

- Back recessed by 2" to clear wall outlets;
- WAV grommet in the base of the unit to pass cables.

EH
Concealed Power

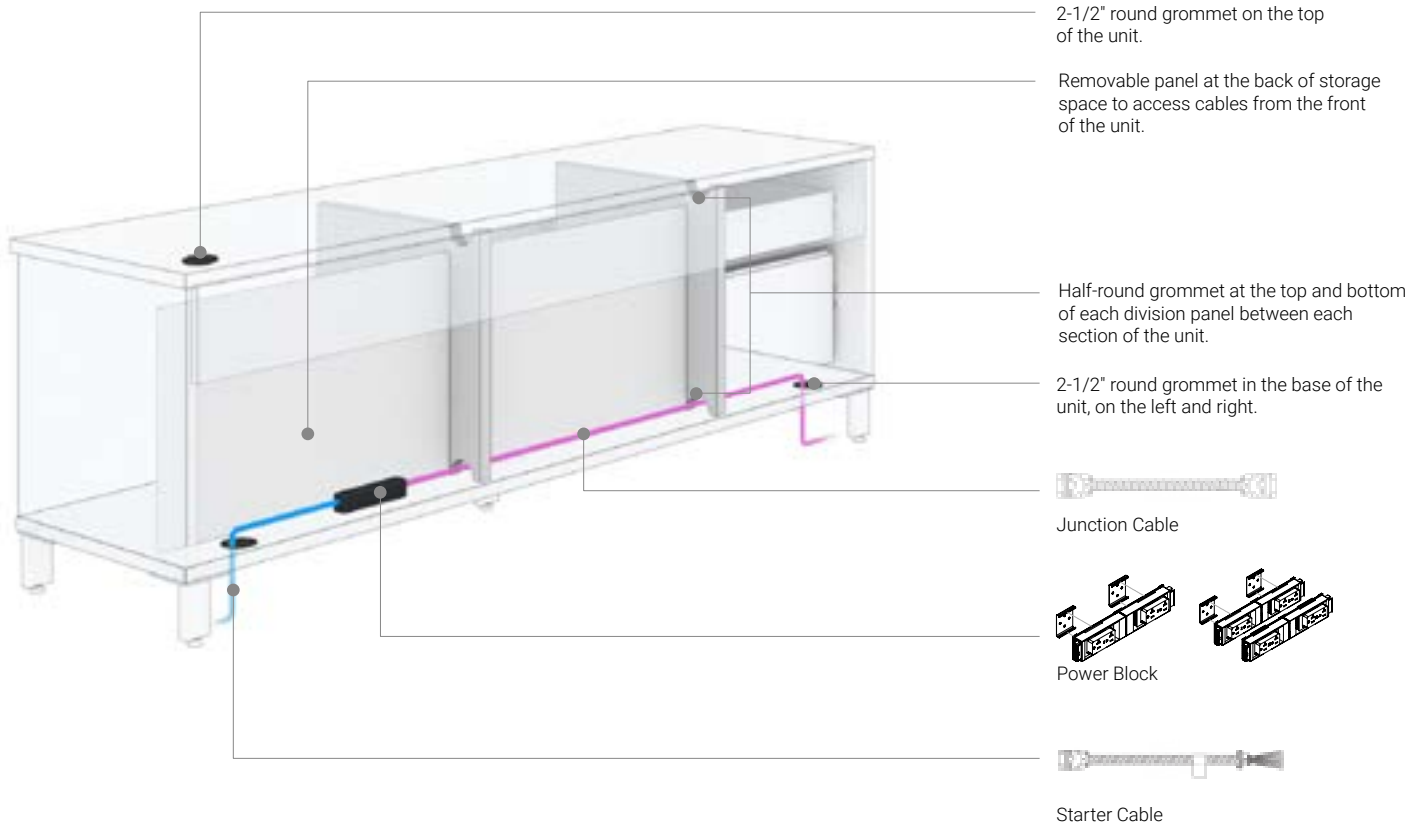
- Full back;
- 2-1/2" round grommet on the top of the unit;
- Removable panel at the back of bookcase or open sections to access cables from the front of the unit;
- 2-1/2" round grommet in the base of the unit, on the left and right;
- Half-round grommet at the top and bottom of each division panel between each section of the unit.
- Units with shelves: the shelf will be removed and the space converted to open storage.

EC
Central Power

- Open back;
- 2-1/2" round grommet on the top of the unit;
- Removable panel at the back of storage space to access cables from the front of the unit;
- 2-1/2" round grommet in the base of the unit, on the left and right;
- Half-round grommet at the top and bottom of each division panel between each section of the unit.
- Units with shelves: the shelf will be removed and the space converted to open storage.

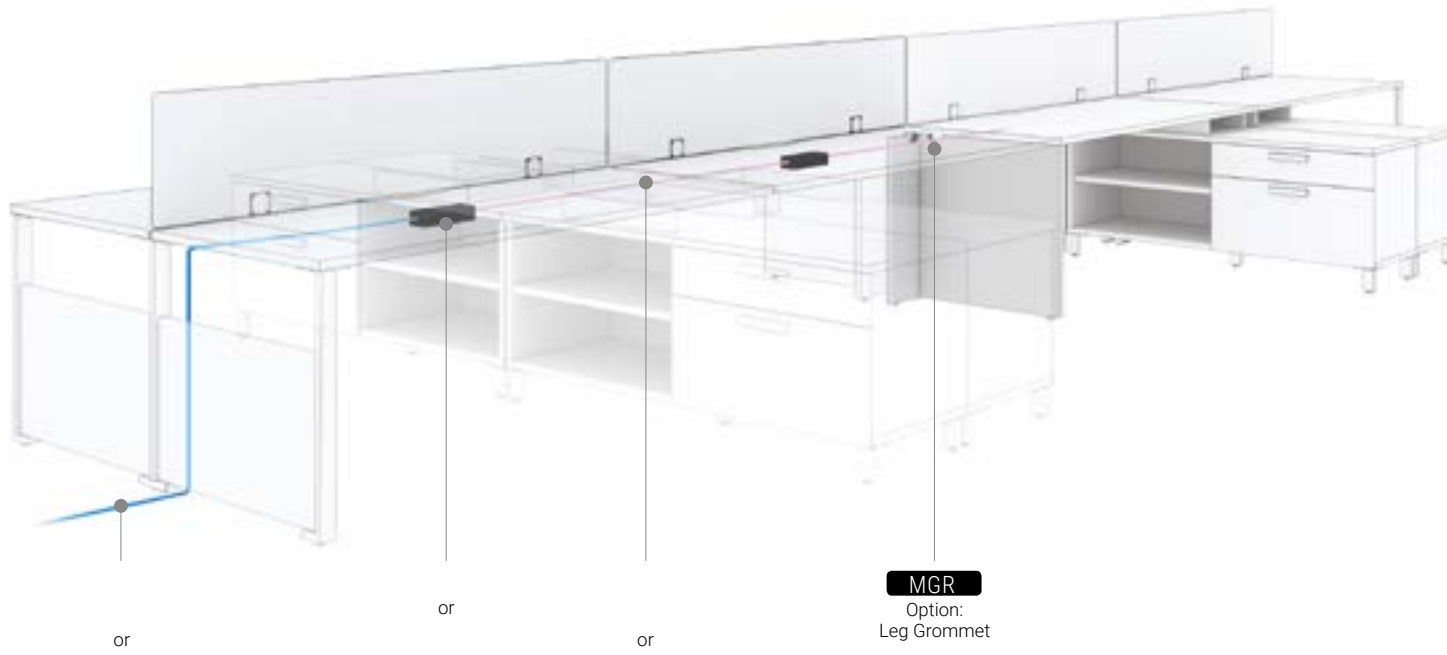
Appendix K: Electrical Wire Management Solutions

Example: High Pedestal with EC option - open back


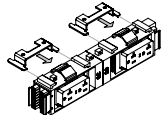
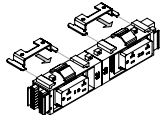


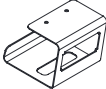


Appendix K: Electrical Wire Management Solutions

Electrical configurations for Benching



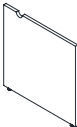
Electrical Accessories

Starter Cable 	Mounting Bracket with Power Block 	Cable Support with Power Block 	Junction Cable 	Velcro Tie 	Cable Support 
---	---	--	--	---	---

or

Options

Leg Grommet



MGR




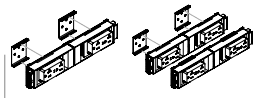

Appendix K: Electrical Wire Management Solutions

Electrical configurations for Focus



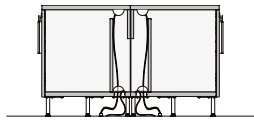
Pedestal with
EC option

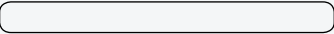
⚡ Electrical Accessories

Starter Cable 	Mounting Bracket with Power Block 	Junction Cable 
---	---	--

⊕ Options

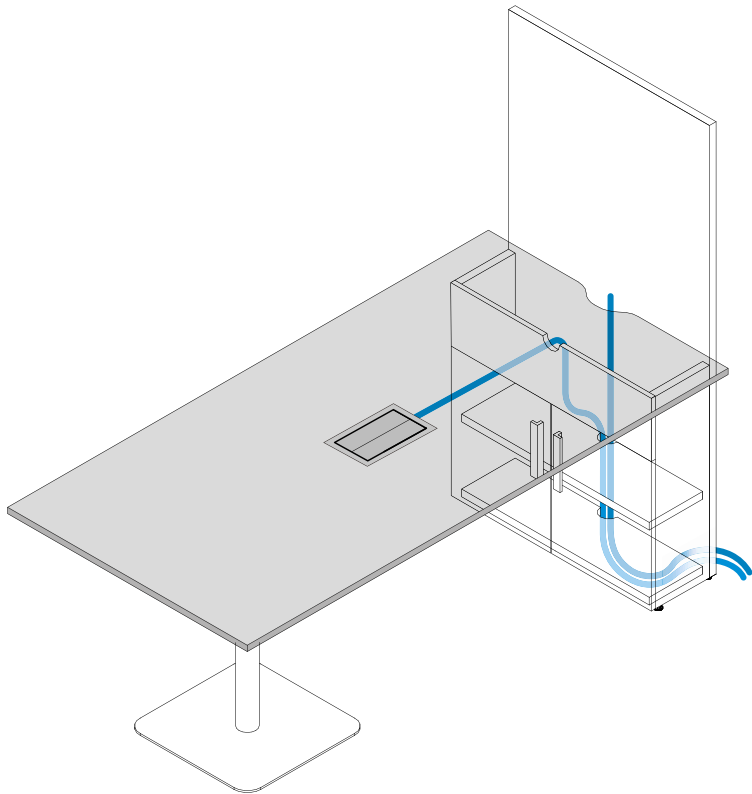
Central Power Open Back





Appendix K: Electrical Wire Management Solutions

Electrical configurations for Collaborative and Multimedia Tables



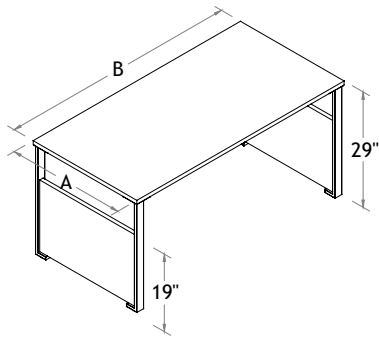
⚡ Electrical Accessories

	 Connectivity	 Wireless charger	 Velcro Tie

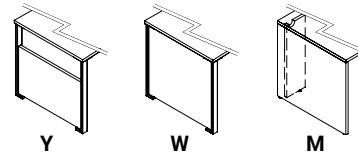
Primary Desks

Rectangular Desks

ex.: YY



Leg Choices



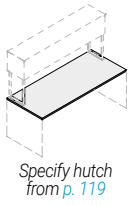
Manufacturing Standards

- Delivered disassembled;
- Support bar;
- Vertical wood grain on base;
- Height: 29";
- **Y**: chrome-finish metal legs with 1" laminate partial insert;
- **W**: chrome-finish metal legs with 1" laminate full insert;
- **M**: half leg on 1" laminate leg base.

See [Appendix A](#) for the metal finishes available (no extra charge).

Options

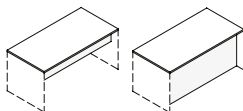
Drill holes for Hutch



Specify hutch from p. 119

\$0

Modesty 3" Recessed

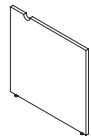


WAVC option not available with PM or FM modesty panels

\$175

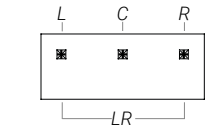
\$175

Leg Grommet

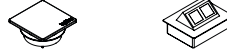


MGR

\$0



Grommet/Connectivity

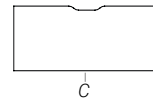


\$26 ea.

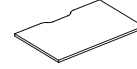
\$397

\$397

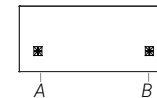
\$397



Cutout for wires



\$26 ea.



Wireless Charger



\$617

How to Order

LV	AB	Y W M	Y W M	P	WH BL SN CHR (std)	GRL GRC GRR GLR NGR (std)	PM FM	MGR L MGR R MG LR	WAVC NWAV (std)	MH3B MH3C MH3D	C L R LR	QIBLA QIBLB
series	dimensions	left leg	right leg	hutch (Appx. H)	metal finish (Appx. A)	grommet position	modesty (Appx. D)	leg grommet	cutout (Appx. B)	connectivity+position (Appx. B)	Qi (Appx. B)	
Example	LV	3060	Y	Y	P	CHR	GRL	PM	NWAV	MH3BR	QIBLA	

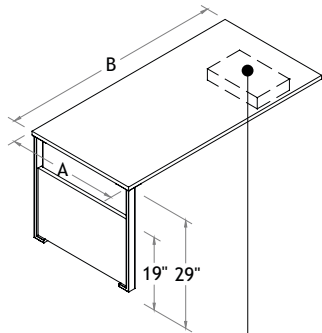
Prices

Dimensions	YY	YM MY	WW	WM MW	MM
2460	1040	974	1040	974	575
2466	1093	1031	1093	1031	585
2472	1106	1041	1106	1041	595
2478	1127	1061	1127	1061	608
3060	1090	1026	1090	1026	611
3066	1148	1082	1148	1082	621
3072	1161	1094	1161	1094	634
3078	1185	1118	1185	1118	647
3660	1141	1074	1141	1074	646
3666	1200	1131	1200	1131	657
3672	1216	1149	1216	1149	673
3678	1242	1173	1242	1173	687

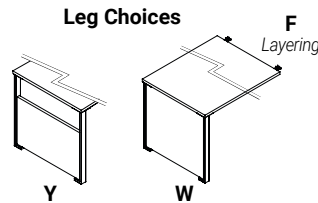
Primary Desks

Layering Desks

ex.: YF



Choice of four supports:
B1, B3, PG and DR
(see Appendix G)



Manufacturing Standards

- Delivered disassembled;
- Chrome-finish metal legs with 1" laminate partial (Y) or full (W) insert;
- Support bar;
- Vertical wood grain on base;
- Height: 29";
- **Y**: chrome-finish metal legs with 1" laminate partial insert;
- **W**: chrome-finish metal legs with 1" laminate full insert.

See Appendix A for the metal finishes available (no extra charge).

Options

Drill holes for Hutch

Specify hutch starting on p. 119

Cutout for Hutch

Modesty
3" Recessed

WAVC option not available with PM or FM modesty panels

\$175 \$175

Grommet/Connectivity

\$26 ea. \$397 \$397 \$397

Wireless Charger

\$617

Cutout for wires

\$26 ea.

Prices

Dimensions	
A	B
2460	960
2466	1014
2472	1040
2478	1068
2484	1078
3060	1005
3066	1059
3072	1088
3078	1118
3084	1130
3660	1046
3666	1106
3672	1137
3678	1167
3684	1185

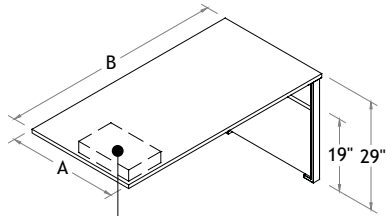
How to Order

	AB	Y W	F	E P	WH BL SN CHR (std)	B1 B3 PG DR	GRL GRC GRR GLR NGR (std)	PM FM	WAVC NWAV (std)	MH3B MH3C MH3D	L R L/C LR	QIBLA
	series	dimensions	leg on left	leg on right	hutch (Appx. H)	metal finish (Appx. A)	support (Appx. G)	grommet position	modesty (Appx. D)	cutout (Appx. B)	connectivity+position (Appx. B)	Qi (Appx. B)
Example	LV	3060	Y	F	P	CHR	DR	GRL	PM	NWAV	MH3BR	QIBLA

Primary Desks

Layering Desks

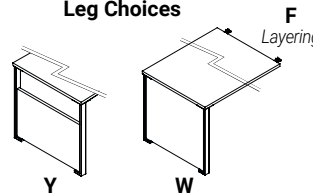
ex.: FY



Choice of four supports:
B1, B3, PG and DR
(see Appendix G)



Leg Choices



Manufacturing Standards

- Delivered disassembled;
- Chrome-finish metal legs with 1" laminate partial (Y) or full (W) insert;
- Support bar;
- Vertical wood grain on base;
- Height: 29";
- **Y**: chrome-finish metal legs with 1" laminate partial insert;
- **W**: chrome-finish metal legs with 1" laminate full insert.

See Appendix A for the metal finishes available (no extra charge).

Options

Drill holes for Hutch

Specify hutch starting on p. 119

Cutout for Hutch

Modesty

3" Recessed

WAVC option not available with PM or FM modesty panels

\$175 \$175

Grommet/Connectivity

\$26 ea. \$397 \$397 \$397

Wireless Charger

\$617

Cutout for wires

\$26 ea.

Prices

Dimensions	
A	B
2460	960
2466	1014
2472	1040
2478	1068
2484	1078
3060	1005
3066	1059
3072	1088
3078	1118
3084	1130
3660	1046
3666	1106
3672	1137
3678	1167
3684	1185

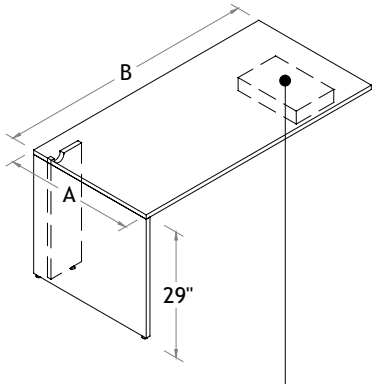
How to Order

	AB	F	Y W	E P	WH BL SN CHR (std)	B1 B3 PG DR	GRL GRC GRR GLR NGR (std)	PM FM	WAVC NWAV (std)	MH3B MH3C MH3D	R/L L/R LR	QIBLB
	series	dimensions	leg on left	leg on right	hutch (Appx. H)	metal finish (Appx. A)	support (Appx. G)	grommet position	modesty (Appx. D)	cutout (Appx. B)	connectivity+position (Appx. B)	Qi (Appx. B)
Example	LV	3060	F	Y	CHR	DR	GRL	PM	NWAV	MH3BR		QIBLB

Primary Desks

Layering Desks

MF



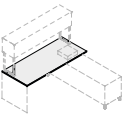
Choice of four supports:
B1, B3, PG and DR
(see [Appendix G](#))

Manufacturing Standards

- Delivered disassembled;
- Half leg on 1" laminate leg base;
- Support bar;
- Vertical wood grain on base;
- Height: 29".

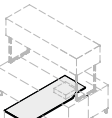
Options

Drill holes for Hutch

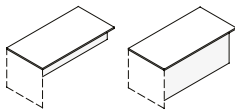


Specify hutch starting on [p. 119](#)

Cutout for Hutch



Modesty 3" Recessed

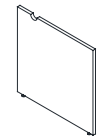


WAVC option not available with PM or FM modesty panels

\$175

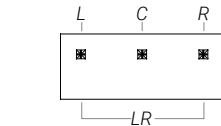
\$175

Leg Grommet



MGR

\$0



Grommet/Connectivity

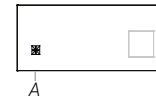


\$26 ea.

\$397

\$397

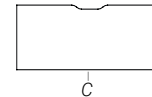
\$397



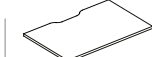
Wireless Charger



\$617



Cutout for wires



\$26 ea.

Prices

Dimensions

A	B
2460	667
2466	678
2472	690
2478	701
2484	713
3060	701
3066	713
3072	731
3078	743
3084	755
3660	736
3666	751
3672	768
3678	783
3684	798

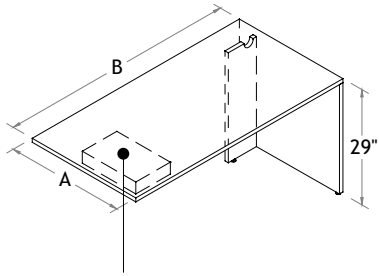
How to Order

LV	A B	MF	E P	B1 B3 PG DR	GRL GRC GRR GLR NGR (std)	PM FM	MGR L	WAVC NWAV (std)	MH3B MH3C MH3D	C L R LR	QIBLA
series	dimensions	product	hutch (Appx. H)	support (Appx. G)	grommet position	modesty (Appx. D)	leg grommet	cutout (Appx. B)	connectivity+position (Appx. B)	Qi (Appx. B)	
Example	LV 3060	MF	P	DR	GRL	PM	MGR L	NWAV	MH3BR	QIBLA	

Primary Desks

Layering Desks

FM



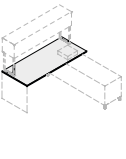
Choice of four supports:
B1, B3, PG and DR
(see [Appendix G](#))

Manufacturing Standards

- Delivered disassembled;
- Half leg on 1" laminate leg base;
- Support bar;
- Vertical wood grain on base;
- Height: 29".

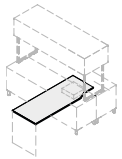
Options

Drill holes for Hutch

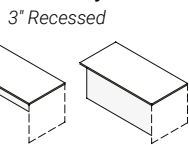


Specify hutch starting on [p. 119](#)

Cutout for Hutch



Modesty

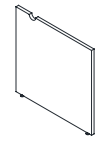


3" Recessed
WAVC option not available with PM or FM modesty panels

\$175

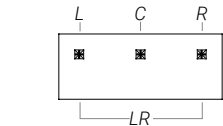
\$175

Leg Grommet



MGR

\$0



Grommet/Connectivity



\$26 ea.

\$397

\$397

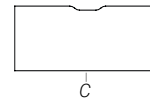
\$397



Wireless Charger



\$617



Cutout for wires

\$26 ea.

Prices

Dimensions

A	B
2460	667
2466	678
2472	690
2478	701
2484	713
3060	701
3066	713
3072	731
3078	743
3084	755
3660	736
3666	751
3672	768
3678	783
3684	798

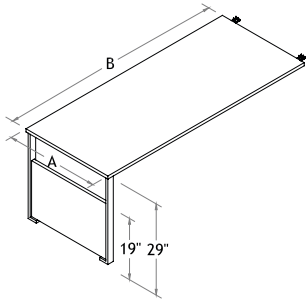
How to Order

LV	A B	FM	E P	B1 B3 PG DR	GRL GRC GRR GLR NGR (std)	PM FM	MGR B	WAVC NWAV (std)	MH3B MH3C MH3D	C L R LR	QIBLB
series	dimensions	product	hutch (Appx. H)	support (Appx. G)	grommet position	modesty (Appx. D)	leg grommet	cutout (Appx. B)	connectivity+position (Appx. B)	Qi (Appx. B)	
Example	LV 3060	FM	P	DR	GRL	PM	MGRB	NWAV	MH3BR	QIBLB	

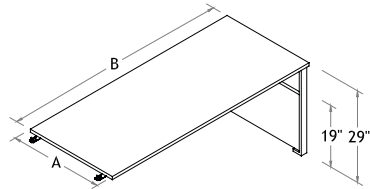
Primary Desks

Installed Desks

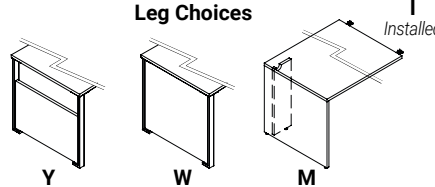
ex.: YI



ex.: IY



Leg Choices



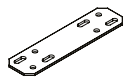
Manufacturing Standards

- Delivered disassembled;
- Support bar;
- Flush plates or mounting brackets according to specified option;
- Vertical wood grain on base;
- Height: 29";
- Y: chrome-finish metal legs with 1" laminate partial insert;
- W: chrome-finish metal legs with 1" laminate full insert;
- M: half leg on 1" laminate leg base.

See [Appendix A](#) for the metal finishes available (no extra charge).

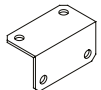
Options

Mounting Fixtures



Flush Plate

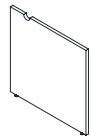
F



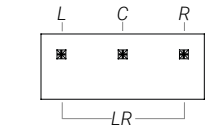
Mounting Bracket

B

Leg Grommet



MGR



Grommet/Connectivity



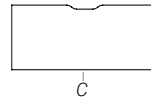
CHR (std)

\$26 ea.



NGR (std)

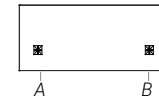
\$397



Cutout for wires



\$26 ea.



Wireless Charger



\$617

Prices

Dimensions	YI	WI	MI
A B	IY	IW	IM
2460	741	741	527
2466	754	754	541
2472	767	767	552
3060	776	776	564
3066	792	792	575
3072	806	806	591

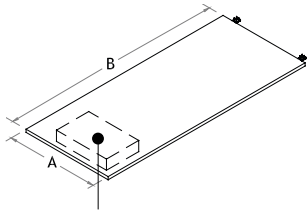
How to Order

LV	AB	Y W M I	Y W M I	F B	WH BL SN CHR (std)	GRL GRC GRR GLR NGR (std)	MGR L MGR R	WAVC NWAV (std)	MH3B MH3C MH3D	C L R LR	QIBLA QIBLB
series	dimensions	leg on left	leg on right	mounting fixture	metal finish (Appx. A)	grommet position	leg grommet	cutout (Appx. B)	connectivity+position (Appx. B)	Qi (Appx. B)	
Example	LV 3060	Y	I	F	CHR	GRL		NWAV	MH3BR	QIBLB	

Primary Desks

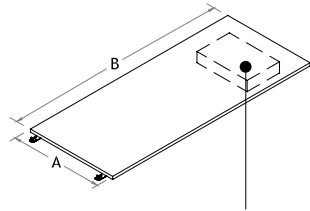
Layering Installed Desks

FI



Choice of four supports:
B1, B3, PG and DR
(see [Appendix G](#))

IF



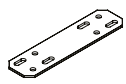
Choice of four supports:
B1, B3, PG and DR
(see [Appendix G](#))

Manufacturing Standards

- Delivered disassembled;
- Support bar;
- Mounting plates and screws.

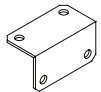
Options

Mounting Fixtures



Flush Plate

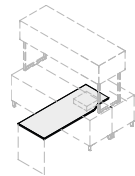
F



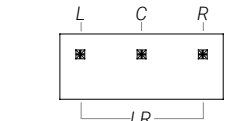
Mounting Bracket

B

Cutout for Shared Hutch



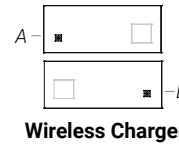
Specify hutch starting on p. 119



Grommet/Connectivity



\$26 ea. \$397 \$397 \$397



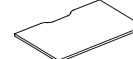
Wireless Charger



\$617



Cutout for wires



\$26 ea.

Prices

Dimensions

A	B
2460	593
2466	608
2472	624

3060	625
3066	642
3072	659

How to Order

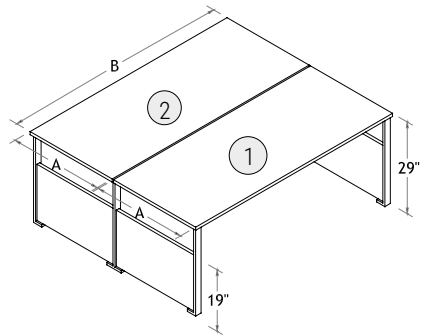
LV	A B	FI IF	F B	E	B1 B3 PG DR	GRL GRC GRG GLR NGR (std)	WAVC NWAV (std)	MH3B MH3C MH3D	C L R LR	QIBLA QIBLB
series	dimensions	product	mounting fixture	hutch (Appx. H)	support (Appx. G)	grommet position	cutout (Appx. B)	connectivity+position (Appx. B)	Qi (Appx. B)	

Example LV 3060 FI F E DR GRL NWAV MH3BR QIBLB

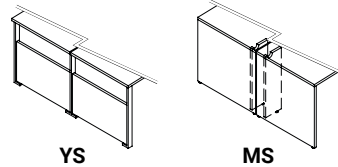
Primary Desks

Double Rectangular Desks

ex.: YSYS-YSYS



Leg Choices



Manufacturing Standards

- Delivered disassembled;
- Support bar;
- Fixed clearance of 1/2" between the two work surfaces to pass cables;
- Vertical wood grain on base;
- Height: 29".
- **YS**: chrome-finish metal legs with 1" laminate partial insert;
- **MS**: half leg on 1" laminate shared leg base.

See [Appendix A](#) for the metal finishes available (no extra charge).

Options

Drill holes for Shared Hutch

Specify hutch starting on [p. 119](#)

Leg Grommet

MGR
\$0

Grommet/Connectivity

\$26 ea. \$397 \$397 \$397

Cutout for wires

\$26 ea.

Wireless Charger

\$617

Prices

Price per individual desk				
Dimensions	YSYS	YSMS	MSMS	
A B	YSYS	MSYS	MSMS	
2460	909	769	575	
2466	920	779	585	
2472	931	793	595	
3060	951	812	611	
3066	962	821	621	
3072	977	836	634	

Price per double desk				
Dimensions	YSYS	YSMS	MSMS	
A B	YSYS	MSYS	MSMS	
2460	1818	1538	1150	
2466	1840	1558	1170	
2472	1862	1586	1190	
3060	1902	1624	1222	
3066	1924	1642	1242	
3072	1954	1672	1268	

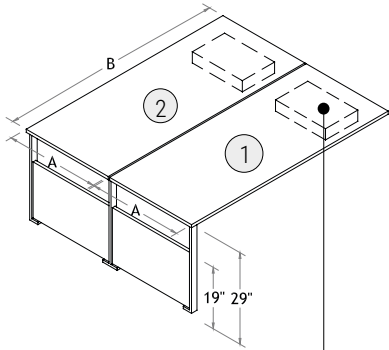
How to Order

	A B	YS MS	YS MS	P	WH BL SN CHR (std)	GRL GRC GRR GLR NGR (std)	MGR L MGR R MG LR	WAVC NWAV (std)	MH3B MH3C MH3D	C L R LR	QIBLA QIBLB
1 LV											
2 LV											
	series dimensions	left leg	right leg	hutch (Appx. H)	metal finish (Appx. A)	grommet position	leg grommet	cutout (Appx. B)	connectivity+position (Appx. B)	Qi (Appx. B)	
Example 1 LV	3060	YS	YS	P	CHR	GRL		NWAV	MH3BR	QIBLA	
Example 2 LV	3060	YS	YS	P	CHR	GRR		NWAV	MH3BL	QIBLB	

Primary Desks

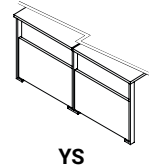
Double Layering Desks

ex.: YSF-FYS



Choice of four supports:
B1, B3, PG and DR
(see Appendix G)

Leg Choices

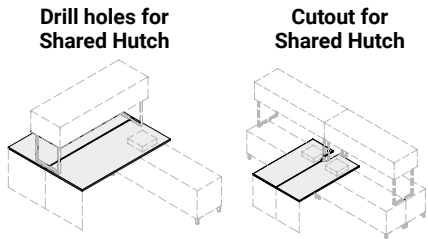


Manufacturing Standards

- Delivered disassembled;
- Support bar;
- Chrome-finish metal legs with 1" laminate partial (Y) or full (W) insert;
- Fixed clearance of 1/2" between the two work surfaces to pass cables;
- Vertical wood grain on base;
- Height: 29";
- **YS:** chrome-finish metal legs with 1" laminate partial insert;

See Appendix A for the metal finishes available (no extra charge).

Options



Specify hutch starting on p. 119

Grommet/Connectivity

\$26 ea. \$397 \$397 \$397

Wireless Charger

\$617

Cutout for wires

\$26 ea.

Prices

Price per individual desk	
Dimensions A B	Support (see Appendix G for further details)
2460	812
2466	819
2472	833
3060	843
3066	858
3072	874

Price per double desk	
Dimensions A B	Support (see Appendix G for further details)
2460	1624
2466	1638
2472	1666
3060	1686
3066	1716
3072	1748

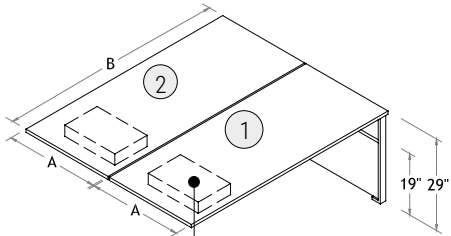
How to Order

	A B	YS F	YS F	E P	WH BL SN CHR (std)	B1 B3 PG DR	GRL GRC GRR GLR NGR (std)	WAVC NWAV (std)	MH3B MH3C MH3D	C L R LR	QIBLA QIBLB
1 LV											
2 LV											
	series	dimensions	leg on left	leg on right	hutch (Appx. H)	metal finish (Appx. A)	support (Appx. G)	grommet position	cutout (Appx. B)	connectivity+position (Appx. B)	Qi (Appx. B)
Example 1 LV		3060	YS	F	E	CHR	DR	GRL	NWAV	MH3BR	QIBLA
Example 2 LV		3060	F	YS	E	CHR	DR	GRR	NWAV	MH3BL	QIBLB

Primary Desks

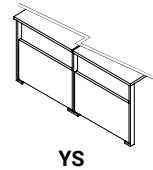
Double Layering Desks

ex.: FYS-YSF



Choice of four supports:
B1, B3, PG and DR
(see Appendix G)

Leg Choices



Manufacturing Standards

- Delivered disassembled;
- Support bar;
- Chrome-finish metal legs with 1" laminate partial (Y) or full (W) insert;
- Fixed clearance of 1/2" between the two work surfaces to pass cables;
- Vertical wood grain on base;
- Height: 29";
- **YS:** chrome-finish metal legs with 1" laminate partial insert;

See Appendix A for the metal finishes available (no extra charge).

Options

Drill holes for Shared Hutch

Cutout for Shared Hutch

Grommet/Connectivity

\$26 ea. \$397 \$397 \$397

Wireless Charger

\$617

Cutout for wires

\$26 ea.

Specify hutch starting on p. 119

Prices

Price per individual desk

Dimensions A B	Support (see Appendix G for further details)
2460	812
2466	819
2472	833
3060	843
3066	858
3072	874

Price per double desk

Dimensions A B	Support (see Appendix G for further details)
2460	1624
2466	1638
2472	1666
3060	1686
3066	1716
3072	1748

How to Order

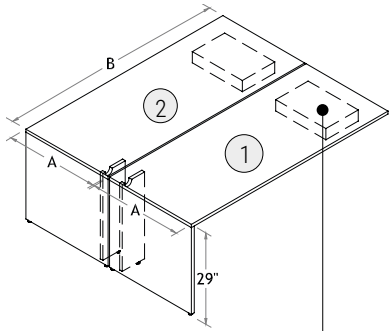
	A B	YS F	YS F	E P	WH BL SN CHR (std)	B1 B3 PG DR	GRL GRC GRR GLR NGR (std)	WAVC NWAV (std)	MH3B MH3C MH3D	C L R LR	QIBLA QIBLB
1 LV											
2 LV											
	series	dimensions	leg on left	leg on right	hutch (Appx. H)	metal finish (Appx. A)	support (Appx. G)	grommet position	cutout (Appx. B)	connectivity+position (Appx. B)	Qi (Appx. B)
Example 1 LV		3060	YS	F	E	CHR	DR	GRL	NWAV	MH3BR	QIBLB
Example 2 LV		3060	F	YS	E	CHR	DR	GRR	NWAV	MH3BL	QIBLA

Primary Desks



Double Layering Desks

MSF-FMS



Choice of four supports:
B1, B3, PG and DR
(see [Appendix G](#))

Manufacturing Standards

- Delivered disassembled;
- Support bar;
- Half leg on 1" laminate leg base;
- Fixed clearance of 1/2" between the two work surfaces to pass cables;
- Vertical wood grain on base;
- Height: 29".

Options

Drill holes for Shared Hutch

Cutout for Shared Hutch

Leg Grommet

MGR
\$0

Grommet/Connectivity

\$26 ea. \$397 \$397 \$397

Wireless Charger

\$617

Cutout for wires

\$26 ea.

Specify hutch starting on p. 119

Prices

Price per individual desk

Dimensions A B	Support (see Appendix G for further details)
2460	667
2466	678
2472	690
3060	701
3066	713
3072	731

Price per double desk

Dimensions A B	Support (see Appendix G for further details)
2460	1334
2466	1356
2472	1380
3060	1402
3066	1426
3072	1462

How to Order

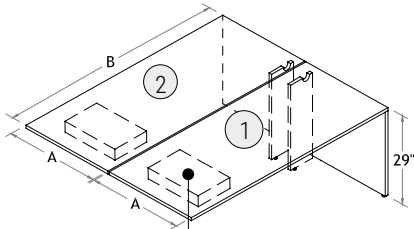
	A B	F MS	F MS	E P	B1 B3 PG DR	GRL GRC GRR GLR NGR (std)	MGR L MGR R	WAVC NWAV (std)	MH3B MH3C MH3D	C L R LR	QIBLA QIBLB
1 LV											
2 LV											
	series	dimensions	leg on left	leg on right	hutch (Appx. H)	support (Appx. G)	grommet position	leg grommet	cutout (Appx. B)	connectivity+position (Appx. B)	Qi (Appx. B)
Example 1 LV	3060	MS	F	E	DR	GRL	MGRL	NWAV	MH3BR	QIBLA	
Example 2 LV	3060	F	MS	E	DR	GRR	MGRR	NWAV	MH3BL	QIBLB	

Primary Desks



Double Layering Desks

FMS-MSF



Choice of four supports:
B1, B3, PG and DR
(see Appendix G)

Manufacturing Standards

- Delivered disassembled;
- Support bar;
- Half leg on 1" laminate leg base;
- Fixed clearance of 1/2" between the two work surfaces to pass cables;
- Vertical wood grain on base;
- Height: 29".

Options

Drill holes for Shared Hutch

Specify hutch starting on p. 119

Cutout for Shared Hutch

Leg Grommet

MGR
\$0

Grommet/Connectivity

\$26 ea. \$397 \$397 \$397

Wireless Charger

\$617

Cutout for wires

\$26 ea.

Prices

Price per individual desk

Dimensions A B	Support (see Appendix G for further details)
2460	667
2466	678
2472	690
3060	701
3066	713
3072	731

Price per double desk

Dimensions A B	Support (see Appendix G for further details)
2460	1334
2466	1356
2472	1380
3060	1402
3066	1426
3072	1462

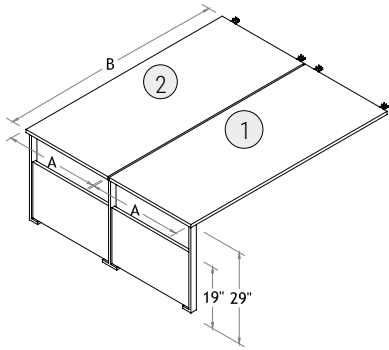
How to Order

	A B	F MS	F MS	E P	B1 B3 PG DR	GRL GRC GRR GLR NGR (std)	MGR L MGR R	WAVC NWAV (std)	MH3B MH3C MH3D	C L R LR	QIBLA QIBLB
1 LV											
2 LV											
	series	dimensions	leg on left	leg on right	hutch (Appx. H)	support (Appx. G)	grommet position	leg grommet	cutout (Appx. B)	connectivity+position (Appx. B)	Qi (Appx. B)
Example 1 LV	3060	F	MS	E	DR	GRL	MGRL	NWAV	MH3BR	QIBLB	
Example 2 LV	3060	MS	F	E	DR	GRR	MGRR	NWAV	MH3BL	QIBLA	

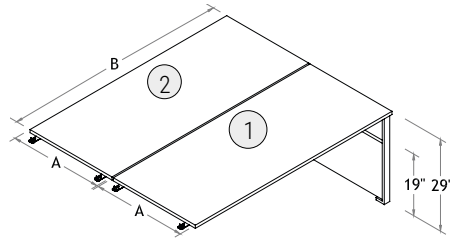
Primary Desks

Double Installed Desks

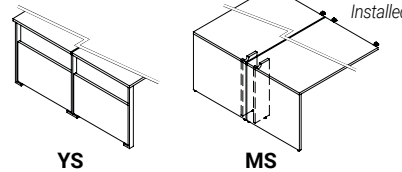
ex.: YSI-IYS



ex.: IYS-YSI



Leg Choices



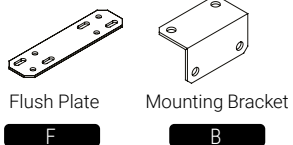
Manufacturing Standards

- Delivered disassembled;
- Support bar;
- Flush plates or mounting brackets according to specified option;
- Fixed clearance of 1/2" between the two work surfaces to pass cables;
- Vertical wood grain on base;
- Height: 29";
- **YS**: chrome-finish metal legs with 1" laminate partial insert;
- **MS**: half leg on 1" laminate shared leg base.

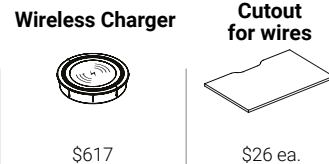
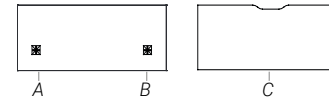
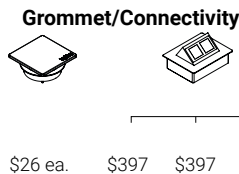
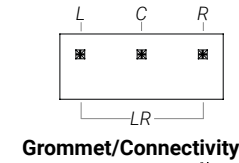
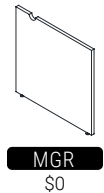
See [Appendix A](#) for the metal finishes available (no extra charge).

Options

Mounting Fixtures



Leg Grommet



Cutout for wires



Prices

Price per individual desk

Dimensions	YSI	MSI
A B	IYS	IMS
2460	611	527
2466	623	541
2472	635	552
3060	644	564
3066	655	575
3072	668	591

Price per double desk

Dimensions	YSI	MSI
A B	IYS	IMS
2460	1222	1054
2466	1246	1082
2472	1270	1104
3060	1288	1128
3066	1310	1150
3072	1336	1182

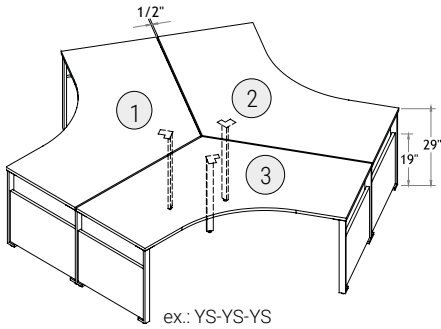
How to Order

	A B	YS MS I	YS MS I	F B	WH BL SN CHR (std)	GRL GRC GRR GLR NGR (std)	MGR L MGR R	WAVC NWAV (std)	MH3B MH3C MH3D	C L R LR	QIBLA QIBLB
1 LV											
2 LV											
Example 1 LV	3060	YS	I	F	CHR	GRL		NWAV	MH3BR		QIBLA
Example 2 LV	3060	I	YS	F	CHR	GRR		NWAV	MH3BL		QIBLB

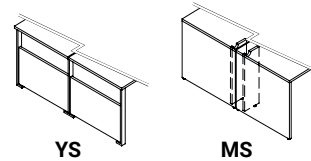
Primary Desks

Triple 120 Degree Desks

120DT

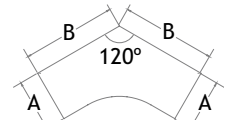


Shared Leg Choices



Manufacturing Standards

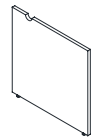
- Delivered disassembled;
- Support bar;
- Fixed clearance of 1/2" between the two work surfaces to pass cables;
- Central support leg;
- Vertical wood grain on base;
- Height: 29";
- YS: chrome-finish metal legs with 1" laminate partial insert;
- MS: half leg on 1" laminate leg base.



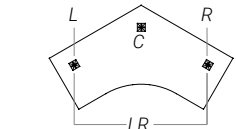
See [Appendix A](#) for the metal finishes available (no extra charge).

Options

Leg Grommet (MS legs)



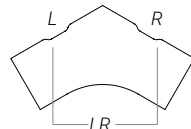
MGR
\$0



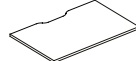
Grommet/Connectivity



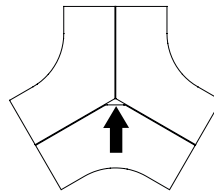
\$26 ea. \$397 \$397 \$397



Cutout for wires

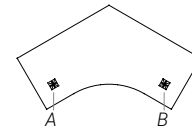


\$26 ea.



Column Cutout

CC
\$26



Wireless Charger



\$617

Prices

Price per individual desk

Dimensions		YS-YS	MS-MS	YS-MS	MS-YS
A	B				
2442	1457	1032	1246	1246	1246
2448	1483	1057	1272	1272	1272
2454	1512	1084	1298	1298	1298
2460	1535	1111	1323	1323	1323
3042	1605	1182	1394	1394	1394
3048	1634	1208	1419	1419	1419
3054	1657	1234	1446	1446	1446
3060	1685	1259	1473	1473	1473

Price per triple desk

Dimensions		YS-YS-YS	MS-MS-MS	YS-YS-MS	MS-MS-YS
A	B				
2442	4371	3096	3946	3524	3524
2448	4449	3171	4023	3601	3601
2454	4536	3252	4108	3680	3680
2460	4605	3333	4181	3757	3757
3042	4815	3546	4392	3970	3970
3048	4902	3624	4476	4046	4046
3054	4971	3702	4548	4126	4126
3060	5055	3777	4629	4205	4205

How to Order

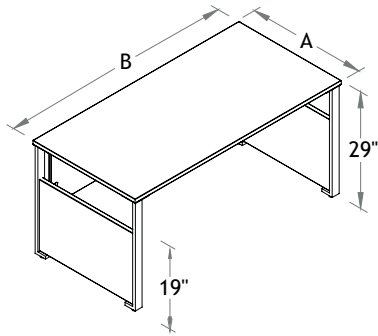
	A	B	YS MS	YS MS	WH BL SN	GRL GRC GRR GLR	MGR L MGR R MG LR	WAVL WAVR WALR	CC	MH3B MH3C MH3D	C L R LR	QIBLA QIBLB
					CHR (std)	NGR (std)		NWAV (std)	NC (std)			
1	LV	3060	120DT	YS	YS	CHR	GRL	NWAV	NC	MH3BR		QIBLA
2	LV	3060	120DT	YS	YS	CHR	GRR	NWAV		MH3BL		QIBLB
3	LV	3060	120DT	YS	YS	CHR	GRR	NWAV		MH3BL		QIBLB

Example

Benching workstation

Shared Benching Workstation - 1-sided - 1 person

SB1Y



Manufacturing Standards

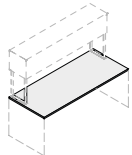
- Delivered disassembled;
- Workstation with 1 rectangular surface;
- Support bar;
- Modesty panel 15"H;
- Chrome finish metal legs with 19"H partial insert in 1" thick laminate;
- Vertical woodgrain on base;
- Height: 29".

Metal finish: If the metal finish is not specified, the standard is chrome (CHR).

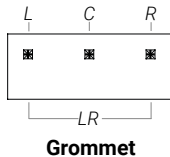
Screens: For more privacy, screens can be added between and to the sides of worksurfaces, [p.136](#).

Options

Drill holes for Shared Hutch



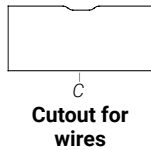
0\$



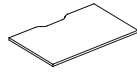
Grommet



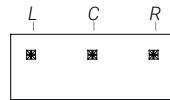
\$26 ea.



Cutout for wires



\$26 ea.



Connectivity



Prices

Dimensions	
A	B
2448	1109
2454	1121
2460	1132
2466	1188
2472	1198
3048	1160
3054	1171
3060	1185
3066	1240
3072	1253

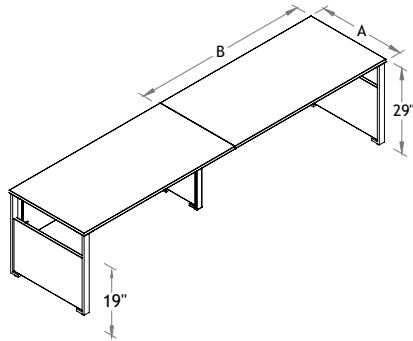
How to Order

LV	A B	SB1Y	WH BL SN CHR (std)	P	GRL GRC GRR GLR NGR (std)	WAVC NWAV (std)	MH3B MH3C MH3D	C L R
series	dimensions	code	metal finish (Appx. A)	hutch (Appx. H)	grommet position	cutout (Appx. B)	connectivity+position (Appx. B)	
Example LV	2460	SB1Y	CHR	P	NGR	NWAV	MH3BR	

Benching workstation

Shared Benching Workstation - 1-sided - 2 persons

SB2Y



Manufacturing Standards

- Delivered disassembled;
- Workstation with 2 rectangular surfaces;
- Support bar;
- Modesty panel 15"H;
- Chrome finish metal legs with 19"H partial insert in 1" thick laminate;
- Recessed middle leg:
- 24" desk = in recess of 14-1/8";
- 30" desk = in recess of 10-3/4";
- Vertical w/dgrain on base;
- Height: 29".

Overall dimensions: Width = (B' x 2).

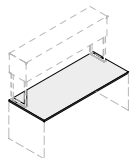
Metal finish: If the metal finish is not specified, the standard is chrome (CHR).

Note: The options chosen for one worksurface will apply to all worksurfaces.

Screens: For more privacy, screens can be added between and to the sides of worksurfaces, [p.136](#).

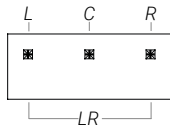
Options

Drill holes for Hutch



Specify hutch starting on [p. 119](#)

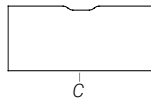
0\$



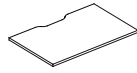
Grommet



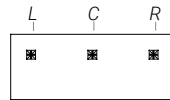
\$26 ea.



Cutout for wires



\$26 ea.



Connectivity



Prices

Dimensions

A B

2448 1917

2454 1943

2460 1968

2466 2033

2472 2057

3048 2003

3054 2029

3060 2053

3066 2123

3072 2154

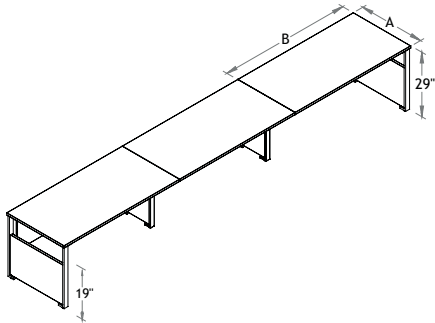
How to Order

LV	A B	SB2Y	WH BL SN CHR (std)	P	GRL GRC GRR GLR NGR (std)	WAVC NWAV (std)	MH3B MH3C MH3D	C L R
series	dimensions	code	metal finish (Appx. A)	hutch (Appx. H)	grommet position	cutout (Appx. B)	connectivity+position (Appx. B)	
Example LV	2460	SB2Y	CHR	P	NGR	NWAV	MH3BR	

Benching workstation

Shared Benching Workstation - 1-sided - 3 persons

SB3Y



Manufacturing Standards

- Delivered disassembled
- Workstation with 3 rectangular surfaces;
- Support bars;
- Modesty panel 15"H;
- Chrome finish metal legs with 19"H partial insert in 1" thick laminate;
- Recessed middle legs:
- 24" desk = in recess of 14-1/8";
- 30" desk = in recess of 10-3/4";
- Vertical woodgrain on base;
- Height: 29".

Overall dimensions: Width = (B' x 3).

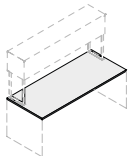
Metal finish: If the metal finish is not specified, the standard is chrome (CHR)..

Note: The options chosen for one worksurface will apply to all worksurfaces.

Screens: For more privacy, screens can be added between and to the sides of worksurfaces, [p.136](#).

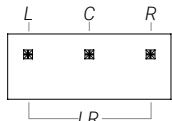
Options

Drill holes for Hutch



Specify hutch starting on [p. 119](#)

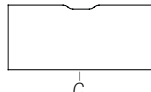
0\$



Grommet



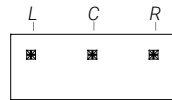
\$26 ea.



Cutout for wires



\$26 ea.



Connectivity



Prices

Dimensions	
A	B
2448	2728
2454	2765
2460	2802
2466	2881
2472	2917
3048	2848
3054	2885
3060	2923
3066	3007
3072	3051

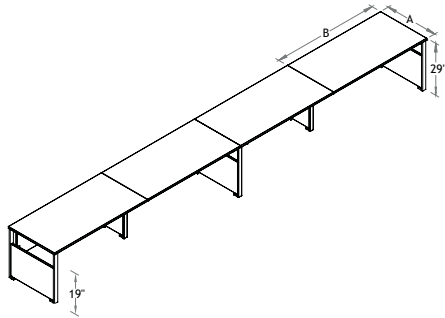
How to Order

LV	A B	SB3Y	WH BL SN CHR (std)	P	GRL GRC GRR GLR NGR (std)	WAVC NWAV (std)	MH3B MH3C MH3D	C L R
series	dimensions	code	métal finish (Appx. A)	hutch (Appx. H)	grommet position	cutout (Appx. B)	connectivity+position (Appx. B)	
Example	LV	2460	SB3Y	CHR	P	NGR	NWAV	MH3BR

Benching workstation

Shared Benching Workstation - 1-sided - 4 persons

SB4Y



Manufacturing Standards

- Delivered disassembled
- Workstation with 4 rectangular surfaces;
- Support bars;
- Modesty panel 15"H;
- Chrome finish metal legs with 19"H partial insert in 1" thick laminate;
- Recessed middle legs:
- 24" desk = in recess of 14-1/8";
- 30" desk = in recess of 10-3/4";
- Vertical woodgrain on base;
- Height: 29".

Overall dimensions: Width = (B' x 4).

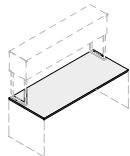
Metal finish: If the metal finish is not specified, the standard is chrome (CHR)..

Note: The options chosen for one worksurface will apply to all worksurfaces.

Screens: For more privacy, screens can be added between and to the sides of worksurfaces, [p.136](#).

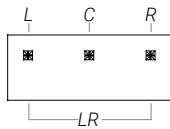
Options

Drill holes for Hutch



Specify hutch starting on [p. 119](#)

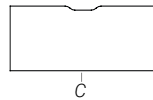
0\$



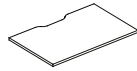
Grommet



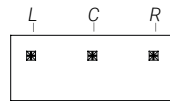
\$26 ea.



Cutout for wires



\$26 ea.



Connectivity



Prices

Dimensions

Dimensions	
A	B
2448	3537
2454	3587
2460	3637
2466	3726
2472	3775
3048	3692
3054	3742
3060	3793
3066	3892
3072	3950

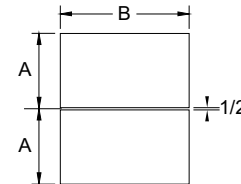
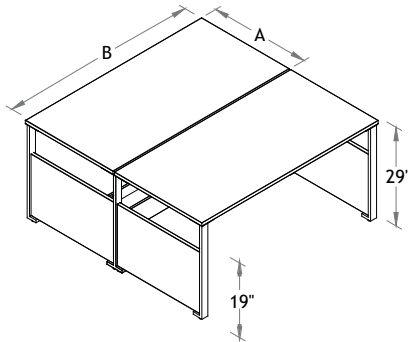
How to Order

LV	A B	SB4Y	WH BL SN CHR (std)	P	GRL GRC GRR GLR NGR (std)	WAVC NWAV (std)	MH3B MH3C MH3D	C L R
series	dimensions	code	metal finish (Appx. A)	hutch (Appx. H)	grommet position	cutout (Appx. B)	connectivity+position (Appx. B)	
Example LV	2460	SB4Y	CHR	P	NGR	NWAV	MH3BR	

Benching workstation

Shared Benching Workstation - 2-sided - 2 persons

DB2Y



Manufacturing Standards

- Delivered disassembled
- Workstation with 2 rectangular surfaces;
- Support bars;
- Fixed clearance of 1/2" between the two work surfaces;
- Transverse structure in laminate;
- Chrome finish metal legs with 19"H partial insert in 1" thick laminate;
- Vertical woodgrain on base;
- Height: 29".

Overall dimensions: Depth = (A' x 2).

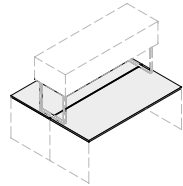
Metal finish: If the metal finish is not specified, the standard is chrome (CHR)..

Note: The options chosen for one worksurface will apply to all worksurfaces.

Screens: For more privacy, screens can be added between and to the sides of worksurfaces, [p.136](#).

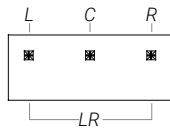
Options

Drill holes for hutch



Specify hutch starting on [p. 119](#)

0\$



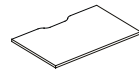
Grommet



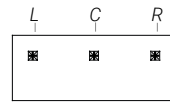
\$26 ea.



Cutout for wires



\$26 ea.



Connectivity



How to Order

LV	A B	DB2Y	WH BL SN CHR (std)	P	GRL GRC GRR GLR NGR (std)	WAVC NWAV (std)	MH3B MH3C MH3D	C L R
series	dimensions	code	metal finish (Appx. A)	hutch (Appx. H)	grommet position	cutout (Appx. B)	connectivity+position (Appx. B)	
Example LV	2460	DB2Y	CHR	P	NGR	NWAV	MH3BR	

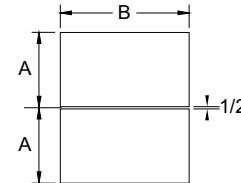
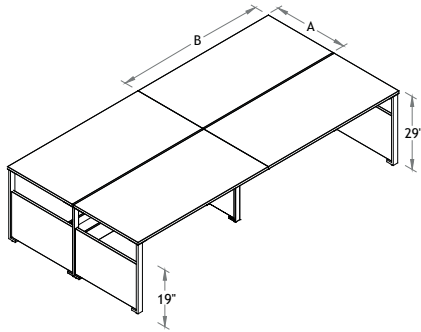
Prices

Dimensions	
A	B
2448	1861
2454	1887
2460	1911
2466	1933
2472	1955
3048	1945
3054	1970
3060	1994
3066	2018
3072	2048

Benching workstation

Shared Benching Workstation - 2-sided - 4 persons

DB4Y



Manufacturing Standards

- Delivered disassembled
- Workstation with 4 rectangular surfaces;
- Support bars;
- Fixed clearance of 1/2" between the two work surfaces;
- Transverse structure in laminate;
- Chrome finish metal legs with 19"H partial insert in 1" thick laminate;
- Recessed middle legs;
- Vertical woodgrain on base;
- Height: 29".

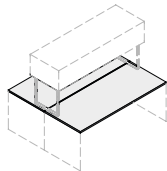
Depth = (A' x 2). Width = (B' x 2). If the metal finish is not specified, the standard is chrome (CHR)..

The options chosen for one worksurface will apply to all worksurfaces.

For more privacy, screens can be added between and to the sides of worksurfaces, p. <CM>216

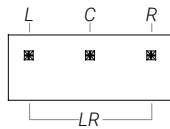
Options

Drill holes for hutch



Specify hutch starting on p. 119

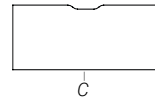
0\$



Grommet



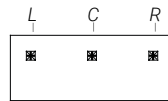
\$26 ea.



Cutout for wires



\$26 ea.



Connectivity



Prices

Dimensions	
A	B
2448	3128
2454	3176
2460	3226
2466	3271
2472	3317
3048	3276
3054	3325
3060	3375
3066	3420
3072	3478

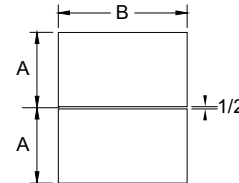
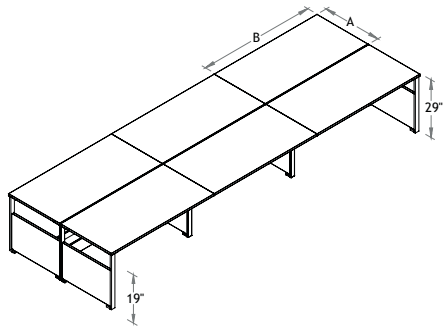
How to Order

LV	A B	DB4Y	WH BL SN CHR (std)	P	GRL GRC GRR GLR NGR (std)	WAVC NWAV (std)	MH3B MH3C MH3D	C L R
series	dimensions	code	metal finish (Appx. A)	hutch (Appx. H)	grommet position	cutout (Appx. B)	connectivity+position (Appx. B)	
Example LV	2460	DB4Y	CHR	P	NGR	NWAV	MH3BR	

Benching workstation

Shared Benching Workstation - 2-sided - 6 persons

DB6Y



Manufacturing Standards

- Delivered disassembled
- Workstation with 6 rectangular surfaces;
- Support bars;
- Fixed clearance of 1/2" between the two work surfaces;
- Transverse structure in laminate;
- Chrome finish metal legs with 19"H partial insert in 1" thick laminate;
- Recessed middle legs;
- Vertical woodgrain on base;
- Height: 29".

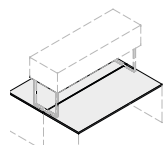
Depth = (A' x 3). Width = (B' x 3) If the metal finish is not specified, the standard is chrome (CHR)..

The options chosen for one worksurface will apply to all worksurfaces.

For more privacy, screens can be added between and to the sides of worksurfaces, p. <CM>216

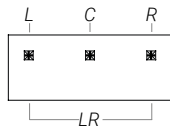
Options

Drill holes for hutch



Specify hutch starting on p. 119

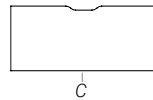
0\$



Grommet



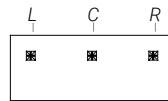
\$26 ea.



Cutout for wires



\$26 ea.



Connectivity



Prices

Dimensions	
A	B
2448	4391
2454	4467
2460	4541
2466	4610
2472	4680
3048	4605
3054	4680
3060	4755
3066	4823
3072	4907

How to Order

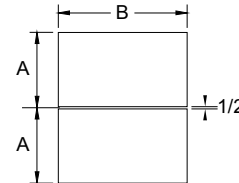
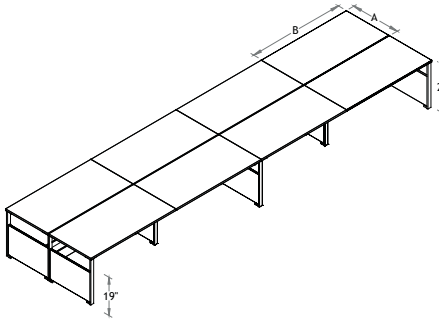
LV	A B	DB6Y	WH BL SN CHR (std)	P	GRL GRC GRR GLR NGR (std)	WAVC NWAV (std)	MH3B MH3C MH3D	C L R
series	dimensions	code	metal finish (Appx. A)	hutch (Appx. H)	grommet position	cutout (Appx. B)	connectivity+position (Appx. B)	

Example LV 2460 DB6Y CHR P NGR NWAV MH3BR

Benching workstation

Shared Benching Workstation - 2-sided - 8 persons

DB8Y



Manufacturing Standards

- Delivered disassembled
- Workstation with 8 rectangular surfaces;
- Support bars;
- Fixed clearance of 1/2" between the two work surfaces;
- Transverse structure in laminate;
- Chrome finish metal legs with 19"H partial insert in 1" thick laminate;
- Recessed middle legs;
- Vertical woodgrain on base;
- Height: 29".

Overall dimensions: Depth = (A' x 4). Width = (B' x 4)

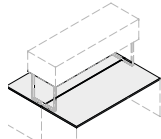
Metal finish: If the metal finish is not specified, the standard is chrome (CHR)..

Note: The options chosen for one work surface will apply to all work surfaces.

Screens: For more privacy, screens can be added between and to the sides of work surfaces, [p.136](#).

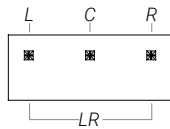
Options

Drill holes for hutch



Specify hutch starting on [p. 119](#)

0\$



Grommet



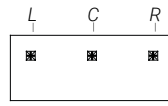
\$26 ea.



Cutout for wires



\$26 ea.



Connectivity



Prices

Dimensions	
A	B
2448	5660
2454	5757
2460	5858
2466	5946
2472	6043
3048	5937
3054	6035
3060	6134
3066	6224
3072	6335

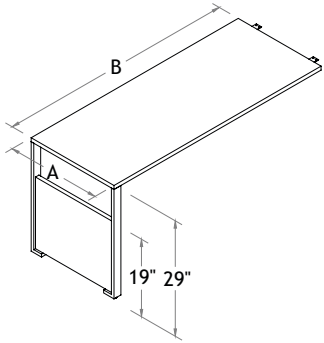
How to Order

LV	A B	DB8Y	WH BL SN CHR (std)	P	GRL GRC GRR GLR NGR (std)	WAVC NWAV (std)	MH3B MH3C MH3D	C L R
series	dimensions	code	metal finish (Appx. A)	hutch (Appx. H)	grommet position	cutout (Appx. B)	connectivity+position (Appx. B)	
Example LV	2460	DB8Y	CHR	P	NGR	NWAV	MH3BR	

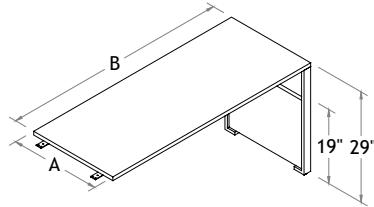
Secondary Desks

Returns

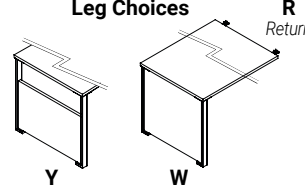
ex.: YR



ex.: RY



Leg Choices

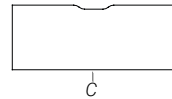


Manufacturing Standards

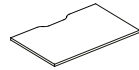
- Delivered disassembled;
- Chrome-finish metal legs with 1" laminate partial (Y) or full (W) insert;
- Support bar when 60" or longer;
- Mounting plates and screws;
- Vertical wood grain on leg base;
- Height: 29";
- **Y**: chrome-finish metal legs with 1" laminate partial insert;
- **W**: chrome-finish metal legs with 1" laminate full insert.

See [Appendix A](#) for the metal finishes available (no extra charge).

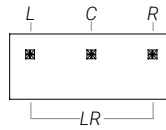
Options



Cutout for wires



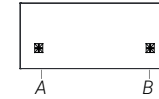
\$26 ea.



Grommet/Connectivity



\$26 ea. \$397 \$397 \$397



Wireless Charger



\$617

How to Order

LV	A B	Y W R	Y W R	WH BL SN CHR (std)	GRL GRC GRG GLR NGR (std)	WAVC NWAV (std)	MH3B MH3C MH3D	C L R LR	QIBLA QIBLB
series	dimensions	leg on left	leg on right	metal finish (Appx. A)	grommet position	cutout (Appx. B)	connectivity+position (Appx. B)	Qi (Appx. B)	

Example LV 2430 Y R CHR GRC NWAV MH3BR QIBLA

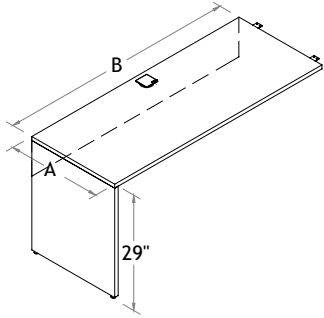
Prices

Dimensions	
A	B
1830	495
1836	505
1842	511
1848	520
1854	522
1860	535
1866	544
1872	552
2030	527
2036	534
2042	546
2048	552
2054	563
2060	580
2066	579
2072	577
The Wireless Charger is offered on 24" desks and wider	
2430	545
2436	552
2442	564
2448	572
2454	581
2460	704
2466	751
2472	762

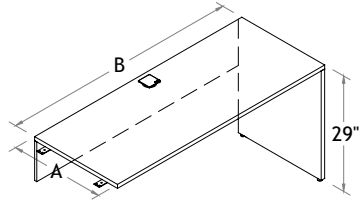
Secondary Desks

Returns

MR



RM

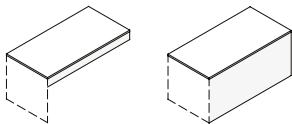


Manufacturing Standards

- Delivered disassembled;
- 1" laminate leg base;
- Centered CCPF grommet;
- Partial modesty panel (10") not recessed;
- Mounting plates and screws;
- Vertical wood grain on leg base;
- Height: 29".

Options

Modesty



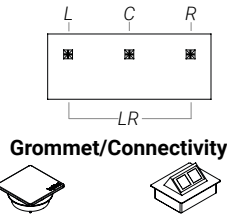
WAVC option not available with PM or FM modesty panels

\$0 \$0

Leg Grommet



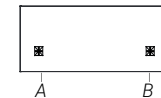
MGR \$0



Grommet/Connectivity



\$26 ea. \$397 \$397 \$397



Wireless Charger



\$617

Prices

Dimensions

A	B
1830	334
1836	347
1842	357
1848	368
1854	408
1860	422
1866	435
1872	444

2030	436
2036	456
2042	477
2048	495
2054	519
2060	527
2066	566
2072	568

The Wireless Charger is offered on 24" desks and wider

2430	486
2436	498
2442	511
2448	524
2454	538
2460	550
2466	589
2472	603

How to Order

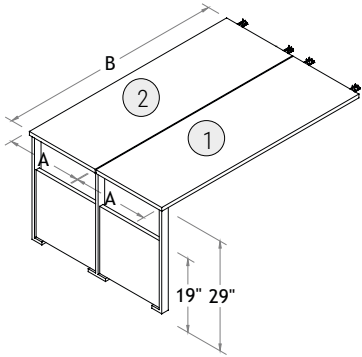
LV	A B	R M	R M	NGR GRL GRR GLR GRC (std)	FM PM (std)	MGR L MGR B	MH3B MH3C MH3D	C L R LR	QIBLA QIBLB
series	dimensions	leg on left	leg on right	grommet position	modesty (Appx. D)	leg grommet	connectivity+position (Appx. B)	Qi (Appx. B)	

Example LV 2430 M R GRC PM MGRL MH3BR QIBLA

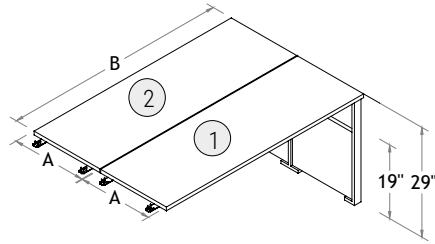
Secondary Desks

Double Returns

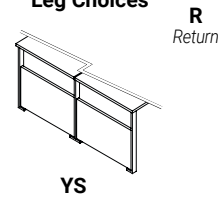
ex.: YSR-RYS



ex.: RYS-YSR



Leg Choices

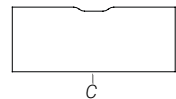


Manufacturing Standards

- Delivered disassembled;
- Chrome-finish metal legs with 1" laminate partial (Y) or full (W) insert;
- Support bar when 60" or longer;
- Mounting plates and screws;
- Vertical wood grain on leg base;
- Fixed clearance of 1/2" between the two work surfaces to pass cables;
- Height: 29";
- **YS:** chrome-finish metal legs with 1" laminate partial insert;

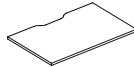
See [Appendix A](#) for the metal finishes available (no extra charge).

Options

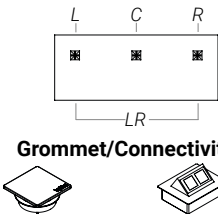


C

Cutout for wires




\$26 ea.



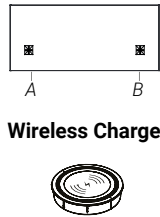
L C R

LR

Grommet/Connectivity




\$26 ea. \$397 \$397 \$397



A B

Wireless Charger



\$617

How to Order

	A B	YS R	YS R	WH BL SN CHR (std)	GRL GRC GRB GLR NGR (std)	WAVC NWAV (std)	MH3B MH3C MH3D	C L R LR	QIBLA QIBLB
1 LV									
2 LV									
	series	dimensions	leg on left	leg on right	metal finish (Appx. A)	grommet position	cutout (Appx. B)	connectivity+position (Appx. B)	Qi (Appx. B)
Example 1 LV	2460	YS	R	CHR	GRC	NWAV	MH3BR	QIBLA	
Example 2 LV	2460	R	YS	CHR	GRC	NWAV	MH3BL	QIBLB	

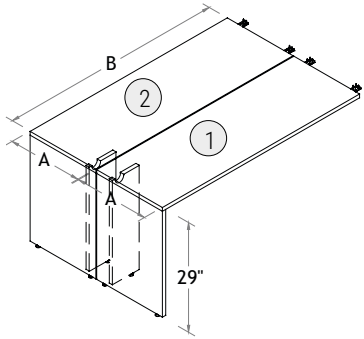
Prices

Dimensions A B	Price per individual desk	Price per double desk
1830	448	896
1836	457	914
1842	464	928
1848	469	938
1854	505	1010
1860	589	1178
1866	596	1192
1872	607	1214
2030	457	914
2036	465	930
2042	470	940
2048	482	964
2054	513	1026
2060	597	1194
2066	608	1216
2072	617	1234
<i>The Wireless Charger is offered on 24" desks and wider</i>		
2430	469	938
2436	482	964
2442	489	978
2448	498	996
2454	519	1038
2460	618	1236
2466	629	1258
2472	639	1278

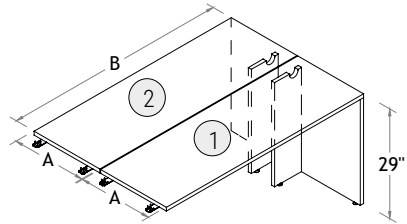
Secondary Desks

Double Returns

MSR-RMS



RMS-MSR



Manufacturing Standards

- Delivered disassembled;
- Support bar when 60" or longer;
- Half leg on 1" laminate leg base;
- Mounting plates and screws;
- Vertical wood grain on leg base;
- Fixed clearance of 1/2" between the two work surfaces to pass cables;
- Height: 29".

Options

Leg Grommet

C

MGR

\$0

Cutout for wires

C

\$26 ea.

Grommet/Connectivity

L C R

LR

\$26 ea. \$397 \$397 \$397

Wireless Charger

A B

\$617

Prices

Dimensions A B	Price per individual desk	Price per double desk
1830	309	618
1836	316	632
1842	323	646
1848	330	660
1854	364	728
1860	445	890
1866	454	908
1872	464	928
2030	315	630
2036	323	646
2042	331	662
2048	336	672
2054	373	746
2060	457	914
2066	465	930
2072	477	954
<i>The Wireless Charger is offered on 24" desks and wider</i>		
2430	329	658
2436	336	672
2442	347	694
2448	356	712
2454	391	782
2460	477	954
2466	487	974
2472	498	996

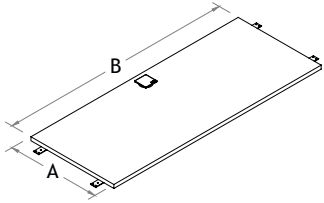
How to Order

	A B	R MS	R MS	GRL GRC GRR GLR NGR (std)	MGR L MGR R	WAVC NWAV (std)	MH3B MH3C MH3D	C L R LR	QIBLA QIBLB
1 LV									
2 LV									
	series	dimensions	leg on left	leg on right	grommet position	leg grommet	cutout (Appx. B)	connectivity+position (Appx. B)	Qi (Appx. B)
Example 1 LV	2460	MS	R	GRC	MGR L	NWAV	MH3BR	QIBLA	
Example 2 LV	2460	R	MS	GRC	MGR R	NWAV	MH3BL	QIBLB	

Secondary Desks

Bridges

BR

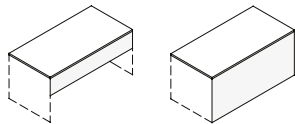


Manufacturing Standards

- Delivered disassembled;
- Centered CCPF grommet;
- Support bar when 60";
- Mounting plates and screws.

Options

Modesty

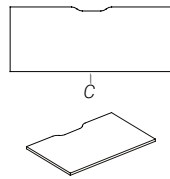


WAVC option not available with PM or FM modesty panels

\$175

\$175

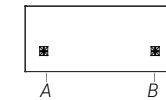
Cutout for wires



\$26 ea.

Grommet/Connectivity

\$26 ea. \$397 \$397 \$397



Wireless Charger



\$617

Prices

Dimensions

A	B
2030	151
2036	164
2042	177
2048	192
2054	206
2060	217

The Wireless Charger is offered on 24" desks and wider

2430	151
2436	164
2442	177
2448	192
2454	206
2460	217

How to Order

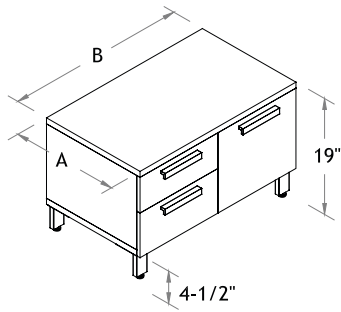
LV	A B	BR	NGR GRL GRR GLR GRC (std)	PM FM	WAVC NWAV (std)	MH3B MH3C MH3D	C L R LR	QIBLA QIBLB
series	dimensions	product	grommet position	modesty (Appx. D)	cutout (Appx. B)	connectivity+position (Appx. B)	Qi (Appx. B)	

Example LV 2430 BR GRC PM NWAV MH3BR QIBLA

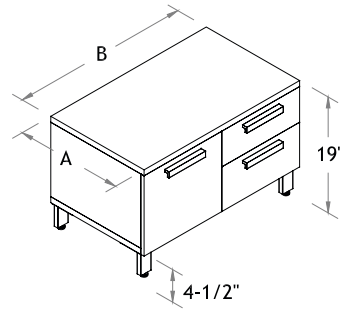
Floor Storage

Low Pedestals

BC19



CB19



Manufacturing Standards

- 2 utility drawers;
- 1 file drawer for letter and legal formats;
- Chrome-finish H052 metal handle;
- Chrome-finish metal legs;
- Vertical wood grain on front;
- Height: 19".

See [Appendix A](#) for the metal finishes available (no extra charge).

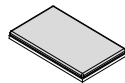
Specify if different handle desired (no extra charge, see [p. 149](#)).

Options

Lock

1-1/2"H Seat Cushion

See [Appendix C](#) for how to specify upholstery



Cushion Full



\$43 ea.

GRA	GR1	GR2	GR3	GR4	GR5	GR6	GR7	GR8	GR9	GR10	GR11	GR12	leather
\$330	\$342	\$359	\$375	\$396	\$416	\$437	\$458	\$478	\$499	\$519	\$561	\$602	\$568

Prices

Dimensions A B	Front finish (see Appendix A for further details)	
	Std	Hg
1830	1097	1140
1836	1122	1171
2330	1146	1187
2336	1171	1220

How to Order

LV	A B	BC19 CB19	WH BL SN CHR (std)	CF	H052 (std)	LKBL LKSN
series	dimensions	product	metal finish (Appx. A)	cushion (Appx. C)	handle (p. 149)	lock (p. 154)

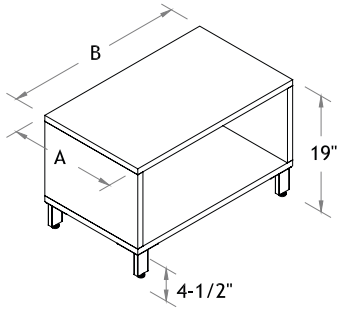
Example

LV	1836	BC19	CHR	CF	H052	LKSN
----	------	------	-----	----	------	------

Floor Storage

Low Pedestals

BBL19



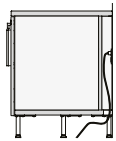
Manufacturing Standards

- Open storage;
- Chrome-finish metal legs;
- Height: 19".

See [Appendix A](#) for the metal finishes available (no extra charge).

Options

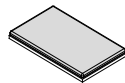
Electrical Wire Management



\$0

1-1/2"H Seat Cushion

See [Appendix C](#) for how to specify upholstery



Cushion Full

GRA	GR1	GR2	GR3	GR4	GR5	GR6	GR7	GR8	GR9	GR10	GR11	GR12	leather
\$330	\$342	\$359	\$375	\$396	\$416	\$437	\$458	\$478	\$499	\$519	\$561	\$602	\$568

Prices

Dimensions

A	B	Std
1830		589
1836		607
2330		616
2336		637

How to Order

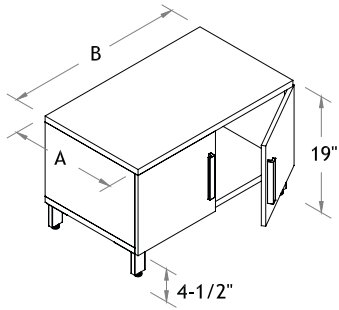
LV	A B	BBL19	EM	WH BL SN CHR (std)	CF
series	dimensions	product	electricity (Appx. K)	metal finish (Appx. A)	cushion (Appx. C)

Example LV 1836 BBL19 EM CHR CF

Floor Storage

Low Pedestals

AR19



Manufacturing Standards

- Cabinet with 2 soft close doors;
- Chrome-finish H052 metal handle;
- Chrome-finish metal legs;
- Vertical wood grain on front;
- Height: 19".

See [Appendix A](#) for the metal finishes available (no extra charge).

Specify if different handle desired (no extra charge, see [p. 149](#)).

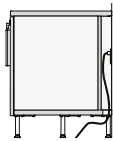
Options

Lock



\$43 ea.

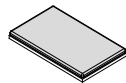
Electrical Wire Management



\$0

1-1/2"H Seat Cushion

See [Appendix C](#) for how to specify upholstery



Cushion Full

GRA	GR1	GR2	GR3	GR4	GR5	GR6	GR7	GR8	GR9	GR10	GR11	GR12	leather
\$330	\$342	\$359	\$375	\$396	\$416	\$437	\$458	\$478	\$499	\$519	\$561	\$602	\$568

Prices

Dimensions A B	Front finish (see Appendix A for further details)	
	Std	Hg
1830	769	813
1836	792	841
2330	796	838
2336	821	874

How to Order

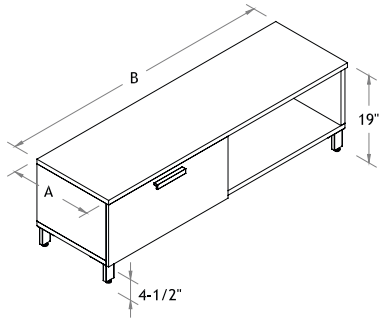
LV	A B	AR19	EM	WH BL SN CHR (std)	CF	H052 (std)	LKBL LKSN
series	dimensions	product	electricity (Appx. K)	metal finish (Appx. A)	cushion (Appx. C)	handle (p. 149)	lock (p. 154)

Example LV 1836 AR19 EM CHR CF H052 LKSN

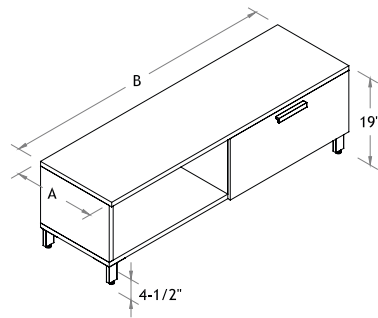
Floor Storage

Low Pedestals

CLO19



OCL19



Manufacturing Standards

- 1 lateral file drawer for letter and legal formats;
- 1 open storage;
- Chrome-finish H052 metal handle;
- Chrome-finish metal legs;
- Vertical wood grain on front;
- Height: 19".

See [Appendix A](#) for the metal finishes available (no extra charge).
Specify if different handle desired (no extra charge, see [p. 149](#)).

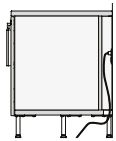
Options

Lock



\$43 ea.

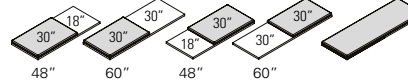
Electrical Wire Management



\$0 \$35

1-1/2"H Seat Cushion

See [Appendix C](#) for how to specify upholstery



Cushion Left Cushion Right Cushion Full

GRA	GR1	GR2	GR3	GR4	GR5	GR6	GR7	GR8	GR9	GR10	GR11	GR12	leather
\$330	\$342	\$359	\$375	\$396	\$416	\$437	\$458	\$478	\$499	\$519	\$561	\$602	\$568
\$330	\$342	\$359	\$375	\$396	\$416	\$437	\$458	\$478	\$499	\$519	\$561	\$602	\$568
\$384	\$396	\$413	\$429	\$450	\$470	\$491	\$512	\$532	\$553	\$573	\$615	\$656	\$622

How to Order

LV	A B	CLO19 OCL19	EM EH	WH BL SN CHR (std)	CL CR CF	H052 (std)	LKBL LKSN
series	dimensions	product	electricity (Appx. K)	metal finish (Appx. A)	cushion (Appx. C)	handle (p. 149)	lock (p. 154)

Example LV 2048 CLO19 EM CHR CL H052 LKSN

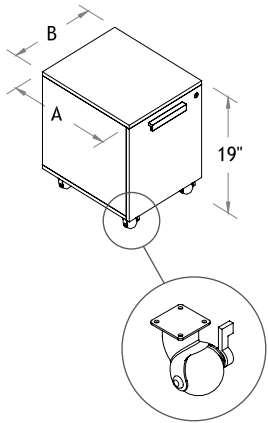
Prices

Dimensions A B	Front finish (see Appendix A for further details)	
	Std	Hg
2048	1032	1074
2060	1071	1114

Floor Storage

Mobile Pedestals

MOBC



Manufacturing Standards

- Delivered with the casters disassembled;
- 1 file drawer;
- 5 casters with brake;
- Chrome-finish H052 metal handle;
- Lock;
- Vertical wood grain on front;
- Height: 19".

Dimension B:

LS: Letter format (15-1/2")

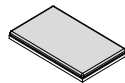
X: Legal format (18-1/2")

Specify if different handle desired (no extra charge, see p. 149).

Options

1-1/2"H Seat Cushion

See [Appendix C](#) for how to specify upholstery



Cushion Full

GRA	GR1	GR2	GR3	GR4	GR5	GR6	GR7	GR8	GR9	GR10	GR11	GR12	leather
\$288	\$296	\$307	\$318	\$332	\$346	\$359	\$373	\$387	\$401	\$414	\$442	\$469	\$446

Prices

Dimensions A B	Front finish (see Appendix A for further details)	
	Std	Hg
18 LS	607	624
18 X	616	638
23 LS	624	644
23 X	636	657

How to Order

LV	A	LS X	MOBC	CF	H052 (std)	LKBL LKSN
series	dimensions	format	product	cushion (Appx. C)	handle (p. 149)	lock (p. 154)

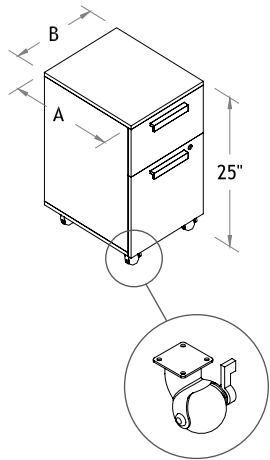
Example

LV	18	LS	MOBC	CF	H052	LKSN
----	----	----	------	----	------	------

Floor Storage

Mobile Pedestals

MOBD



Manufacturing Standards

- Delivered with the casters disassembled;
- 1 utility drawer;
- 1 file drawer;
- 5 casters with brake;
- Chrome-finish H052 metal handle;
- Lock;
- Vertical wood grain on front;
- Height: 25".

Dimension B:

LS: Letter format (15-1/2")

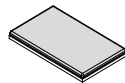
X: Legal format (18-1/2")

Specify if different handle desired (no extra charge, see p. 149).

Options

1-1/2"H Seat Cushion

See [Appendix C](#) for how to specify upholstery



Cushion Full

GRA	GR1	GR2	GR3	GR4	GR5	GR6	GR7	GR8	GR9	GR10	GR11	GR12	leather
\$288	\$296	\$307	\$318	\$332	\$346	\$359	\$373	\$387	\$401	\$414	\$442	\$469	\$446

Prices

Dimensions A B	Front finish (see Appendix A for further details)	
	Std	Hg
18 LS	720	747
18 X	735	765
23 LS	746	772
23 X	758	792

How to Order

LV	A	LS X	MOBD	CF	H052 (std)	LKBL LKSN
series	dimensions	format	product	cushion (Appx. C)	handle (p. 149)	lock (p. 154)

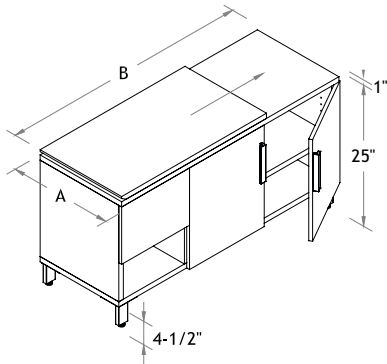
Example

LV	18	LS	MOBD	CF	H052	LKSN
----	----	----	------	----	------	------

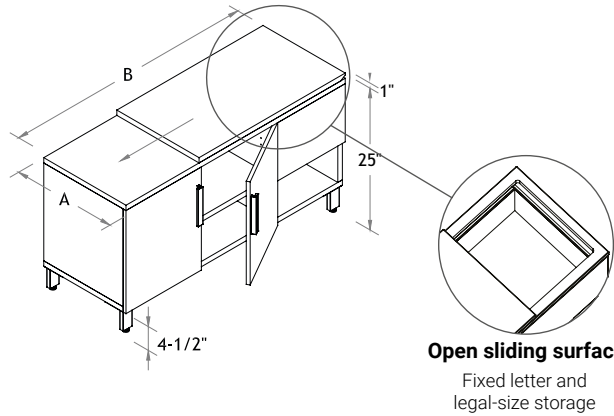
Floor Storage

Sliding-Surface Pedestals

UN04L



UN04R



Manufacturing Standards

- Cabinet with 2 soft close doors;
- 1 adjustable shelf;
- 1 letter and legal-size file storage accessible from above with sliding surface;
- 1 open storage;
- Chrome-finish H052 metal handle;
- Chrome-finish metal legs;
- Vertical wood grain on front;
- Height: 26" (with sliding-surface).

See [Appendix A](#) for the metal finishes available (no extra charge).
Specify if different handle desired (no extra charge, see [p. 149](#)).

Options

Lock



\$43 ea.

Prices

Dimensions		Front finish (see Appendix A for further details)	
A	B	Std	Hg
1848		1970	2060

How to Order

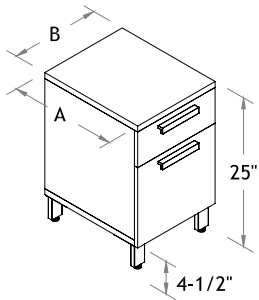
LV	A B	UN04L UN04R	WH BL SN CHR (std)	H052 (std)	LKBL LKSN
series	dimensions	product	metal finish (Appx. A)	handle (p. 149)	lock (p. 154)

Example LV 1848 UN04L CHR H052 LKSN

Floor Storage

High Pedestals

D25



Manufacturing Standards

- 1 utility drawer;
- 1 file drawer;
- Chrome-finish H052 metal handle;
- Chrome-finish metal legs;
- Vertical wood grain on front;
- Height: 25".

LS: Letter format

X: Legal format

See [Appendix A](#) for the metal finishes available (no extra charge).

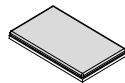
Specify if different handle desired (no extra charge, see [p. 149](#)).

Options

Lock

1-1/2"H Seat Cushion

See [Appendix C](#) for how to specify upholstery



Cushion Full



\$43 ea.

GRA	GR1	GR2	GR3	GR4	GR5	GR6	GR7	GR8	GR9	GR10	GR11	GR12	leather
\$288	\$296	\$307	\$318	\$332	\$346	\$359	\$373	\$387	\$401	\$414	\$442	\$469	\$446

Prices

Dimensions A B	Front finish (see Appendix A for further details)	
	Std	Hg
18LS	728	753
18X	741	772
23LS	755	780
23X	771	800

How to Order

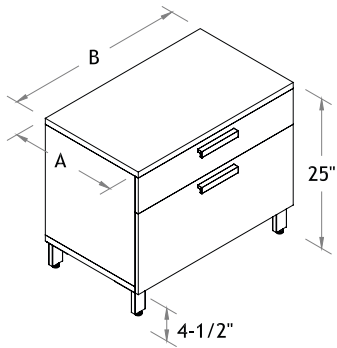
LV	A B	D25	WH BL SN CHR (std)	CF	H052 (std)	LKBL LKSN
series	dimensions	product	metal finish (Appx. A)	cushion (Appx. C)	handle (p. 149)	lock (p. 154)

Example LV 18X D25 CHR CF H052 LKSN

Floor Storage

High Pedestals

K25



Manufacturing Standards

- 1 utility drawer with built-in divider;
- 1 lateral file drawer for letter and legal formats;
- Chrome-finish H052 metal handle;
- Chrome-finish metal legs;
- Vertical wood grain on front;
- Counterweight;
- Height: 25".

See [Appendix A](#) for the metal finishes available (no extra charge).

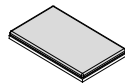
Specify if different handle desired (no extra charge, see [p. 149](#)).

Options

Lock

1-1/2"H Seat Cushion

See [Appendix C](#) for how to specify upholstery



Cushion Full



\$43 ea.

GRA	GR1	GR2	GR3	GR4	GR5	GR6	GR7	GR8	GR9	GR10	GR11	GR12	leather
\$330	\$342	\$359	\$375	\$396	\$416	\$437	\$458	\$478	\$499	\$519	\$561	\$602	\$568

Prices

Dimensions A B	Front finish (see Appendix A for further details)	
	Std	Hg
1830	1005	1055
1836	1032	1092
2330	1030	1082
2336	1058	1121

How to Order

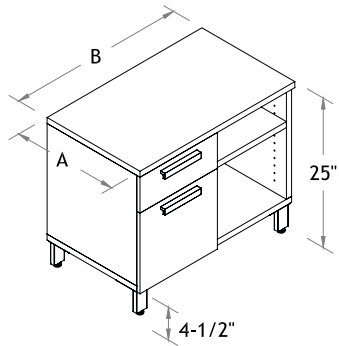
LV	A B	K25	WH BL SN CHR (std)	CF	H052 (std)	LKBL LKSN
series	dimensions	product	metal finish (Appx. A)	cushion (Appx. C)	handle (p. 149)	lock (p. 154)

Example LV 1836 K25 CHR CF H052 LKSN

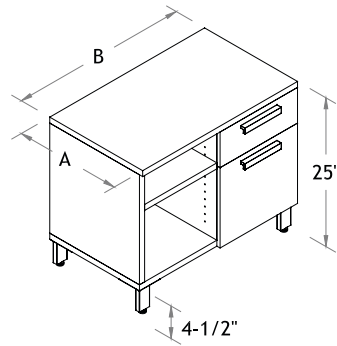
Floor Storage

High Pedestals

DO25



OD25



Manufacturing Standards

- 1 utility drawer;
- 1 file drawer for letter and legal formats;
- 1 open storage with 1 adjustable shelf;
- Chrome-finish H052 metal handle;
- Chrome-finish metal legs;
- Vertical wood grain on front;
- Height: 25".

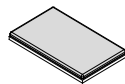
See [Appendix A](#) for the metal finishes available (no extra charge).
Specify if different handle desired (no extra charge, see [p. 149](#)).

Options

Lock

1-1/2"H Seat Cushion

See [Appendix C](#) for how to specify upholstery



Cushion Full



\$43 ea.

GRA	GR1	GR2	GR3	GR4	GR5	GR6	GR7	GR8	GR9	GR10	GR11	GR12	leather
\$330	\$342	\$359	\$375	\$396	\$416	\$437	\$458	\$478	\$499	\$519	\$561	\$602	\$568

Prices

Dimensions A B	Front finish (see Appendix A for further details)	
	Std	Hg
1830	1051	1083
1836	1082	1118
2330	1101	1132
2336	1137	1173

How to Order

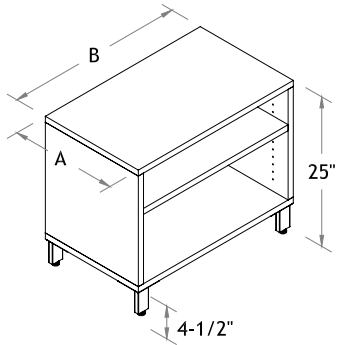
LV	A B	DO25 OD25	WH BL SN CHR (std)	CF	H052 (std)	LKBL LKSN
series	dimensions	product	metal finish (Appx. A)	cushion (Appx. C)	handle (p. 149)	lock (p. 154)

Example LV 1836 DO25 CHR CF H052 LKSN

Floor Storage

High Pedestals

BBL25



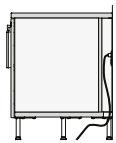
Manufacturing Standards

- Open storage with 1 adjustable shelf;
- Chrome-finish metal legs;
- Height: 25".

See [Appendix A](#) for the metal finishes available (no extra charge).

Options

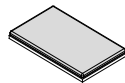
Electrical Wire Management



\$0

1-1/2"H Seat Cushion

See [Appendix C](#) for how to specify upholstery



Cushion Full

GRA	GR1	GR2	GR3	GR4	GR5	GR6	GR7	GR8	GR9	GR10	GR11	GR12	leather
\$330	\$342	\$359	\$375	\$396	\$416	\$437	\$458	\$478	\$499	\$519	\$561	\$602	\$568

Prices

Dimensions

A	B
1824	580
1830	604
1836	625
2324	608
2330	635
2336	660

How to Order

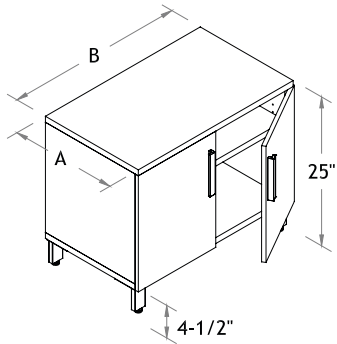
LV	A B	BBL25	EM	WH BL SN CHR (std)	CF
series	dimensions	product	electricity (Appx. K)	metal finish (Appx. A)	cushion (Appx. C)

Example LV 1836 BBL25 EM CHR CF

Floor Storage

High Pedestals

AR25



Manufacturing Standards

- Cabinet with 2 soft close doors;
- Chrome-finish H052 metal handle;
- Chrome-finish metal legs;
- Vertical wood grain on front;
- Height: 25".

See [Appendix A](#) for the metal finishes available (no extra charge).
Specify if different handle desired (no extra charge, see [p. 149](#)).

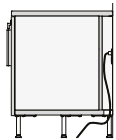
Options

Lock



\$43 ea.

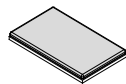
Electrical Wire Management



\$0

1-1/2"H Seat Cushion

See [Appendix C](#) for how to specify upholstery



Cushion Full

GRA	GR1	GR2	GR3	GR4	GR5	GR6	GR7	GR8	GR9	GR10	GR11	GR12	leather
\$330	\$342	\$359	\$375	\$396	\$416	\$437	\$458	\$478	\$499	\$519	\$561	\$602	\$568

Prices

Dimensions A B	Front finish (see Appendix A for further details)	
	Std	Hg
1824	806	853
1830	836	896
1836	867	938
2324	837	883
2330	874	931
2336	908	978

How to Order

LV	A B	AR25	EM	WH BL SN CHR (std)	CF	H052 (std)	LKBL LKSN
series	dimensions	product	electricity (Appx. K)	metal finish (Appx. A)	cushion (Appx. C)	handle (p. 149)	lock (p. 154)

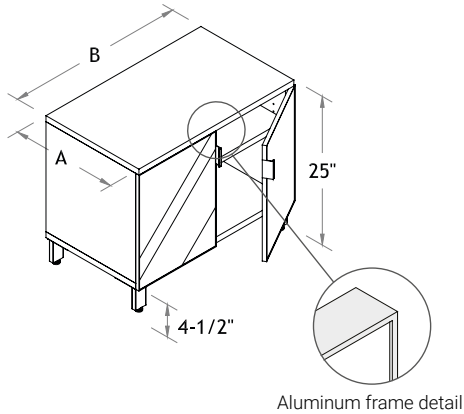
Example

LV	1836	AR25	EM	CHR	CF	H052	LKSN
----	------	------	----	-----	----	------	------

Floor Storage

High Pedestals

AR25 - Glass Doors



Manufacturing Standards

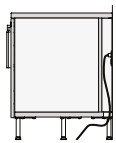
- Cabinet with 2 soft close doors;
- Frosted glass (VS) doors with aluminum-frame and built-in handle;
- 1 adjustable shelf;
- Chrome-finish metal legs;
- Height: 25".

Color Glass: See [Appendix A](#) for other glass color choices, V5, KB, KS, KR, KE, KO, KM, KA and KG all at the same price as V4.

See [Appendix A](#) for the metal finishes available (no extra charge).

Options

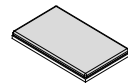
Electrical Wire Management



\$0

1-1/2"H Seat Cushion

See [Appendix C](#) for how to specify upholstery



Cushion Full

GRA	GR1	GR2	GR3	GR4	GR5	GR6	GR7	GR8	GR9	GR10	GR11	GR12	leather
\$330	\$342	\$359	\$375	\$396	\$416	\$437	\$458	\$478	\$499	\$519	\$561	\$602	\$568

Prices

Dimensions A B	Door insert (see Appendix A for further details)		
	VS	PL	V4
1824	1254	1309	1430
1830	1317	1383	1534
1836	1379	1455	1638
2324	1292	1347	1462
2330	1360	1427	1575
2336	1428	1505	1687

How to Order

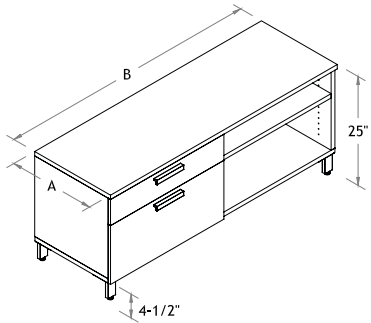
LV	A B	AR25	EM	V4 PL VS (std)	WH BL SN CHR (std)	CF
series	dimensions	product	electricity (Appx. K)	insert (Appx. A)	metal finish (Appx. A)	cushion (Appx. C)

Example LV 1836 AR25 EM VS CHR CF

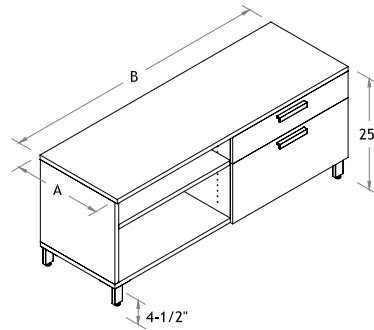
Floor Storage

High Pedestals

KO25



OK25



Manufacturing Standards

- 1 utility drawer with built-in divider;
- 1 lateral file drawer for letter and legal formats;
- 1 open storage with 1 adjustable shelf;
- Chrome-finish H052 metal handle;
- Chrome-finish metal legs;
- Vertical wood grain on front;
- Height: 25".

See [Appendix A](#) for the metal finishes available (no extra charge).

Specify if different handle desired (no extra charge, see [p. 149](#)).

Electrical Wire Management: When adding the EH and EC options, the shelf will be removed and the space converted to open storage.

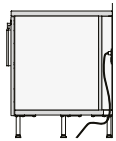
Options

Lock



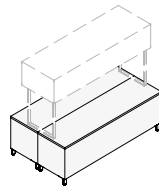
\$43 ea.

Electrical Wire Management



\$0 \$35 \$35

Drill holes for Shared Hutch

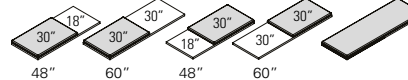


P

Specify hutch starting on [p. 119](#)

1-1/2"H Seat Cushion

See [Appendix C](#) for how to specify upholstery



Cushion Left Cushion Right Cushion Full

GRA	GR1	GR2	GR3	GR4	GR5	GR6	GR7	GR8	GR9	GR10	GR11	GR12	leather
\$330	\$342	\$359	\$375	\$396	\$416	\$437	\$458	\$478	\$499	\$519	\$561	\$602	\$568
\$330	\$342	\$359	\$375	\$396	\$416	\$437	\$458	\$478	\$499	\$519	\$561	\$602	\$568
\$384	\$396	\$413	\$429	\$450	\$470	\$491	\$512	\$532	\$553	\$573	\$615	\$656	\$622

How to Order

LV	A B	KO25 OK25	EM EH EC	P	WH BL SN CHR (std)	CL CR CF	H052 (std)	LKBL LKSN
series	dimensions	product	electricity (Appx. K)	hutch (Appx. H)	metal finish (Appx. A)	cushion (Appx. C)	handle (p. 149)	lock (p. 154)

Example LV 2048 KO25 EM P CHR CL H052 LKSN

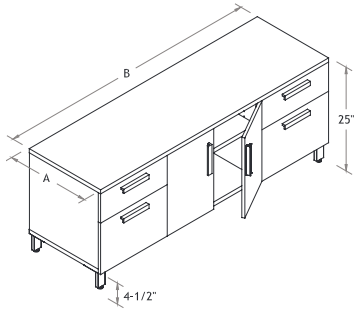
Prices

Dimensions A B	Front finish (see Appendix A for further details)	
	Std	Hg
2048	1067	1118
2060	1115	1164

Floor Storage

High Pedestals

DARD



Manufacturing Standards

- Cabinet with 2 soft close doors;
- 1 adjustable shelf;
- 2 utility drawers;
- 2 file drawers for letter and legal formats;
- Chrome-finish H052 metal handle on drawer;
- Chrome-finish metal legs;
- Vertical wood grain on front;
- Height: 25".

See [Appendix A](#) for the metal finishes available (no extra charge).
Specify if different handle desired (no extra charge, see [p. 149](#)).

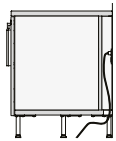
Options

Lock



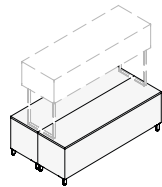
\$43 ea.

Electrical Wire Management



\$0 \$35 \$35

Drill holes for Shared Hutch

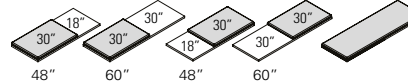


P

Specify hutch starting on [p. 119](#)

1-1/2"H Seat Cushion

See [Appendix C](#) for how to specify upholstery



Cushion Left Cushion Right Cushion Full

GRA	GR1	GR2	GR3	GR4	GR5	GR6	GR7	GR8	GR9	GR10	GR11	GR12	leather
\$330	\$342	\$359	\$375	\$396	\$416	\$437	\$458	\$478	\$499	\$519	\$561	\$602	\$568
\$330	\$342	\$359	\$375	\$396	\$416	\$437	\$458	\$478	\$499	\$519	\$561	\$602	\$568
\$384	\$396	\$413	\$429	\$450	\$470	\$491	\$512	\$532	\$553	\$573	\$615	\$656	\$622

How to Order

LV	A B	DARD	EM EH EC	P	WH BL SN CHR (std)	H052 (std)	LKBL LKSN	CL CR CF
series	dimensions	product	electricity (Appx. K)	hutch (Appx. H)	metal finish (Appx. A)	handle (p. 149)	lock (p. 154)	cushion (Appx. C)

Example LV 2060 DARD EM P CHR H052 LKSN CL

Prices

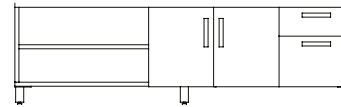
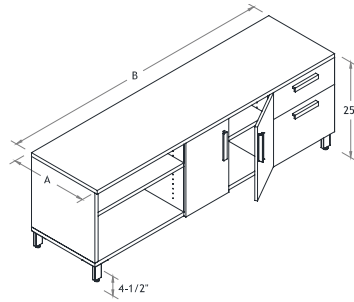
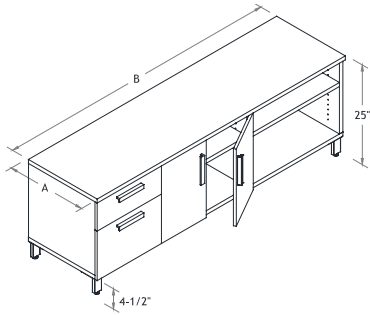
Dimensions A B	Front finish (see Appendix A for further details)	
	Std	Hg
2048	1470	1515
2060	1597	1640

Floor Storage

High Pedestals

UN02SL

UN02SR



18,5" wide drawers and minimum 26" wide open storage

Manufacturing Standards

- 1 open storage;
- Cabinet with 2 soft close doors;
- 2 adjustable shelves;
- 1 utility drawer;
- 1 file drawer for letter and legal formats;
- Chrome-finish H052 metal handle;
- 5 chrome-finish metal legs;
- Vertical wood grain on front;
- Height: 25".

*Hutch available only on the 72" long high pedestal.

See [Appendix A](#) for the metal finishes available (no extra charge).

Specify if different handle desired (no extra charge, see [p. 149](#)).

Electrical Wire Management: When adding the EH and EC options, the shelf will be removed and the space converted to open storage.

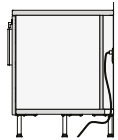
Options

Lock



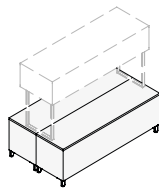
\$43 ea.

Electrical Wire Management



\$0 \$35 \$35

Drill holes for Shared Hutch



P

Specify hutch starting on [p. 119](#)



Available on drawer side



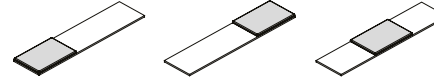
Wireless Charger



\$617

1-1/2"H Seat Cushion

See [Appendix C](#) for how to specify upholstery



Cushion Left Cushion Right Cushion Centered

GRA	GR1	GR2	GR3	GR4	GR5	GR6	GR7	GR8	GR9	GR10	GR11	GR12	leather
\$330	\$342	\$359	\$375	\$396	\$416	\$437	\$458	\$478	\$499	\$519	\$561	\$602	\$568
\$330	\$342	\$359	\$375	\$396	\$416	\$437	\$458	\$478	\$499	\$519	\$561	\$602	\$568
\$330	\$342	\$359	\$375	\$396	\$416	\$437	\$458	\$478	\$499	\$519	\$561	\$602	\$568

How to Order

LV	A B	UN02SL UN02SR	EM EH EC	P	WH BL SN CHR (std)	CL CR CC	QIBL	H052 (std)	LKBL LKSN
series	dimensions	product	electricity (Appx. K)	hutch (Appx. H)	metal finish (Appx. A)	cushion (Appx. C)	Qi (Appx. B)	handle (p. 149)	lock (p. 154)

Example LV 2072 UN02SL EM P CHR CL QIBL H052 LKSN

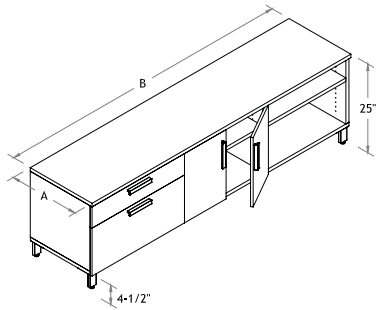
Prices

Dimensions	Front finish (see Appendix A for further details)	
	A B	Std Hg
*2072	1442	1493
2084	1489	1541

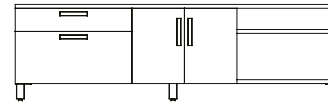
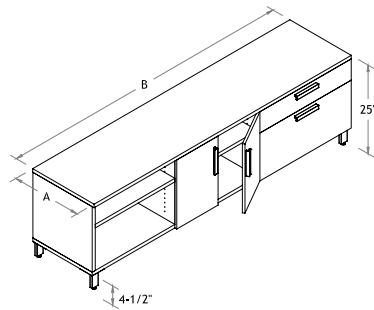
Floor Storage

High Pedestals

UN02L



UN02R



30" width drawer, equal width cabinet and open storage

Manufacturing Standards

- 1 open storage;
- Cabinet with 2 soft close doors;
- 2 adjustable shelves;
- 1 utility drawer;
- 1 lateral file drawer for letter and legal formats;
- Chrome-finish H052 metal handle;
- 5 chrome-finish metal legs;
- Vertical wood grain on front;
- Height: 25".

*Hutch available only on the 72" long high pedestal.

See [Appendix A](#) for the metal finishes available (no extra charge).

Specify if different handle desired (no extra charge, see [p. 149](#)).

Electrical Wire Management: When adding the EH and EC options, the shelf will be removed and the space converted to open storage.

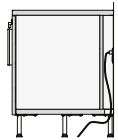
Options

Lock



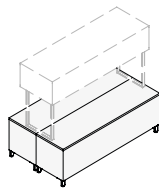
\$43 ea.

Electrical Wire Management



\$0 \$35 \$35

Drill holes for Shared Hutch



P

Specify hutch starting on [p. 119](#)



Available on drawer side



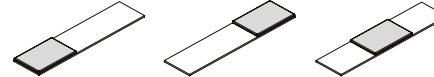
Wireless Charger



\$617

1-1/2"H Seat Cushion

See [Appendix C](#) for how to specify upholstery



Cushion Left Cushion Right Cushion Centered

GRA	GR1	GR2	GR3	GR4	GR5	GR6	GR7	GR8	GR9	GR10	GR11	GR12	leather
\$330	\$342	\$359	\$375	\$396	\$416	\$437	\$458	\$478	\$499	\$519	\$561	\$602	\$568
\$330	\$342	\$359	\$375	\$396	\$416	\$437	\$458	\$478	\$499	\$519	\$561	\$602	\$568
\$330	\$342	\$359	\$375	\$396	\$416	\$437	\$458	\$478	\$499	\$519	\$561	\$602	\$568

How to Order

LV	A B	UN02L UN02R	EM EH EC	P	WH BL SN CHR (std)	CL CR CC	QIBL	H052 (std)	LKBL LKSN
series	dimensions	product	electricity (Appx. K)	hutch (Appx. H)	metal finish (Appx. A)	cushion (Appx. C)	Qi (Appx. B)	handle (p. 149)	lock (p. 154)

Example LV 2072 UN02L EM P CHR CL QIBL H052 LKSN

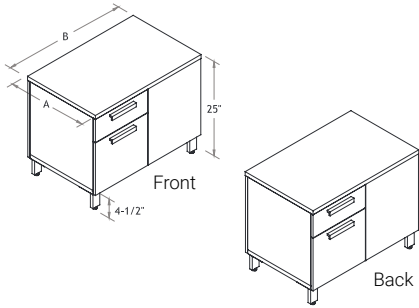
Prices

Dimensions	Front finish (see Appendix A for further details)	
	Std	Hg
*2072	1455	1539
2084	1512	1613

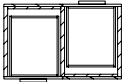
Floor Storage

Shared High Pedestals

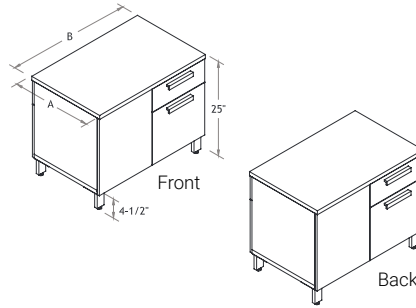
DD25L



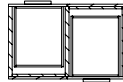
Space inside



DD25R



Space inside



Manufacturing Standards

- 1 utility drawer on each side;
- 1 file drawer on each side for letter and legal formats;
- Chrome-finish H052 metal handle;
- Chrome-finish metal legs;
- Vertical wood grain on front;
- Height: 25".

LS: Letter format (total length: 31-3/16")

X: Legal format (total length: 37-3/16")

See [Appendix A](#) for the metal finishes available (no extra charge).

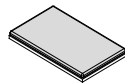
Specify if different handle desired (no extra charge, see [p. 149](#)).

Options

Lock

1-1/2"H Seat Cushion

See [Appendix C](#) for how to specify upholstery



Cushion Full



\$43 ea.

GRA	GR1	GR2	GR3	GR4	GR5	GR6	GR7	GR8	GR9	GR10	GR11	GR12	leather
\$330	\$342	\$359	\$375	\$396	\$416	\$437	\$458	\$478	\$499	\$519	\$561	\$602	\$568

Prices

Dimensions A B	Front finish (see Appendix A for further details)	
	Std	Hg
20 LS	1570	1807
20 X	1613	1854

How to Order

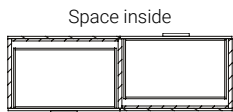
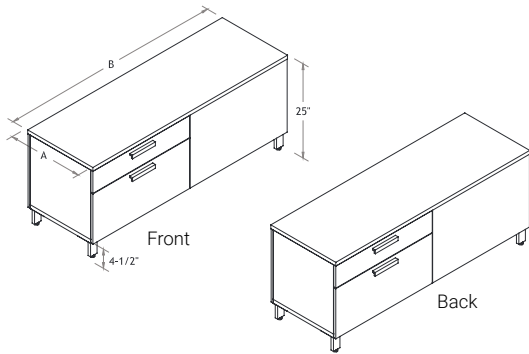
LV	A B	DD25L DD25R	WH BL SN CHR (std)	CF	H052 (std)	LKBL LKSN
series	dimensions	product	metal finish (Appx. A)	cushion (Appx. C)	handle (p. 149)	lock (p. 154)

Example LV 20LS DD25L CHR CF H052 LKSN

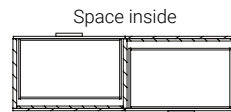
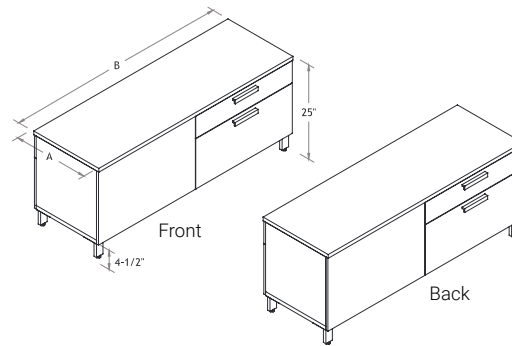
Floor Storage

Shared High Pedestals

KD25L



KD25R



Manufacturing Standards

- 1 utility drawer on each side with built-in divider;
- 1 lateral file drawer on each side for letter and legal formats;
- Chrome-finish H052 metal handle;
- Chrome-finish metal legs;
- Vertical wood grain on front;
- Counterweight;
- Height: 25".

See [Appendix A](#) for the metal finishes available (no extra charge).

Cushions: Seat cushions are ordered from the front view of the furniture. ie: a left cushion will be on the left side on the front but on the right side on the back.

Specify if different handle desired (no extra charge, see [p. 149](#)).

Options

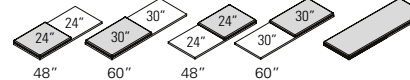
Lock



\$43 ea.

1-1/2"H Seat Cushion

See [Appendix C](#) for how to specify upholstery



Cushion Left Cushion Right Cushion Full

GRA	GR1	GR2	GR3	GR4	GR5	GR6	GR7	GR8	GR9	GR10	GR11	GR12	leather
\$330	\$342	\$359	\$375	\$396	\$416	\$437	\$458	\$478	\$499	\$519	\$561	\$602	\$568
\$330	\$342	\$359	\$375	\$396	\$416	\$437	\$458	\$478	\$499	\$519	\$561	\$602	\$568
\$384	\$396	\$413	\$429	\$450	\$470	\$491	\$512	\$532	\$553	\$573	\$615	\$656	\$622

How to Order

LV	A B	KD25L KD25R	WH BL SN CHR (std)	CL CR CF	H052 (std)	LKBL LKSN
series	dimensions	product	metal finish (Appx. A)	cushion (Appx. C)	handle (p. 149)	lock (p. 154)

Example LV 2060 KD25L CHR CF H052 LKSN

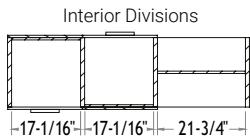
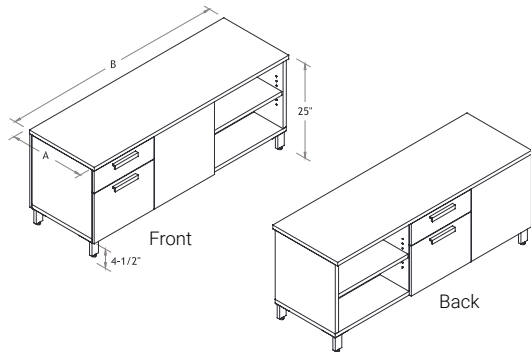
Prices

Dimensions A B	Front finish (see Appendix A for further details)	
	Std	Hg
2048	1771	2037
2060	1811	2081

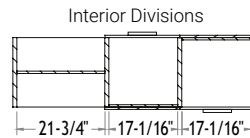
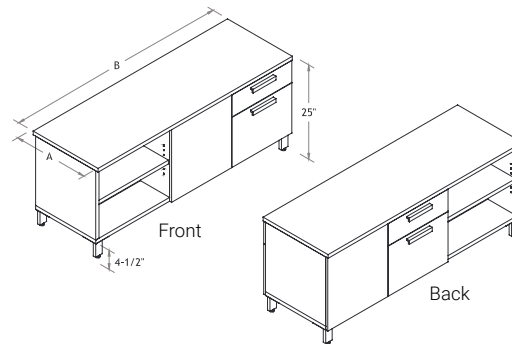
Floor Storage

Shared High Pedestals

KOD25



OKD25



Manufacturing Standards

- 1 utility drawer on each side with built-in divider;
- 1 lateral file drawer on each side for letter and legal formats;
- 1 open storage on each side with 1 adjustable shelf;
- Chrome-finish H052 metal handle;
- Chrome-finish metal legs;
- Vertical wood grain on front;
- Height: 25\".

Not compatible with floating desks.

See [Appendix A](#) for the metal finishes available (no extra charge).

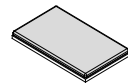
Specify if different handle desired (no extra charge, see [p. 149](#)).

Options

Lock

1-1/2\"H Seat Cushion

See [Appendix C](#) for how to specify upholstery



Cushion Full



\$43 ea.

GRA	GR1	GR2	GR3	GR4	GR5	GR6	GR7	GR8	GR9	GR10	GR11	GR12	leather
\$384	\$396	\$413	\$429	\$450	\$470	\$491	\$512	\$532	\$553	\$573	\$615	\$656	\$622

Prices

Dimensions A B	Front finish (see Appendix A for further details)	
	Std	Hg
2060	1691	1944

How to Order

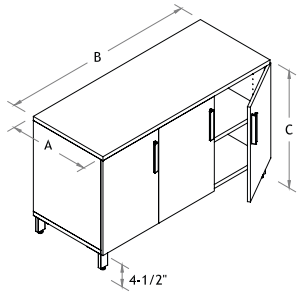
LV	A B	KOD25 OKD25	WH BL SN CHR (std)	CF	H052 (std)	LKBL LKSN
series	dimensions	product	metal finish (Appx. A)	cushion (Appx. C)	handle (p. 149)	lock (p. 154)

Example LV 2060 KOD25 CHR CF H052 LKSN

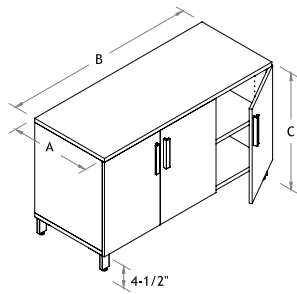
Floor Storage

Credenzas

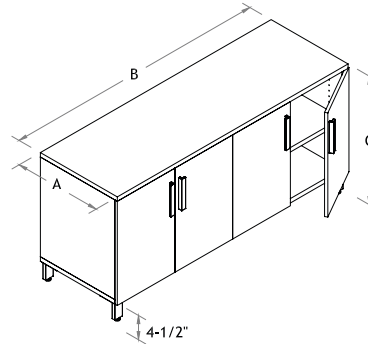
AR3L



AR3R



ARAR



Manufacturing Standards

- Cabinet with 3 or 4 soft close doors depending on unit length;
- 1 adjustable shelf per section;
- Chrome-finish H052 metal handle;
- Chrome-finish metal legs;
- Vertical wood grain on front;
- Height: 29".

See [Appendix A](#) for the metal finishes available (no extra charge).
Specify if different handle desired (no extra charge, see [p. 149](#)).

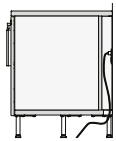
Options

Lock



\$43 ea.

Electrical Wire Management



\$0

Prices

AR3L / AR3R

Dimensions A B C	Front finish (see Appendix A for further details)	
	Std	Hg
204829	1293	1418
244829	1345	1469

ARAR

Dimensions A B C	Front finish (see Appendix A for further details)	
	Std	Hg
206029	1448	1603
246029	1507	1660

How to Order

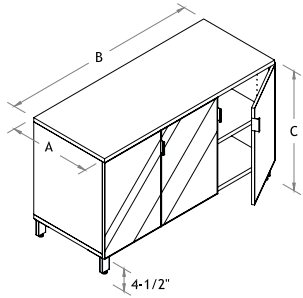
LV	A B C	AR3L AR3R ARAR	EM	P	WH BL SN CHR (std)	H052 (std)	LKBL LKSN
series	dimensions	product	electricity (Appx. K)	hutch (Appx. H)	metal finish (Appx. A)	handle (p. 149)	lock (p. 154)

Example LV 206029 ARAR EM P CHR H052 LKSN

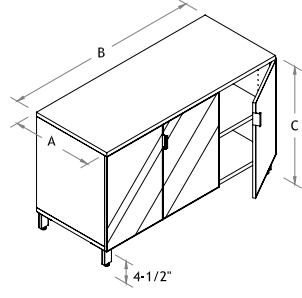
Floor Storage

Credenzas

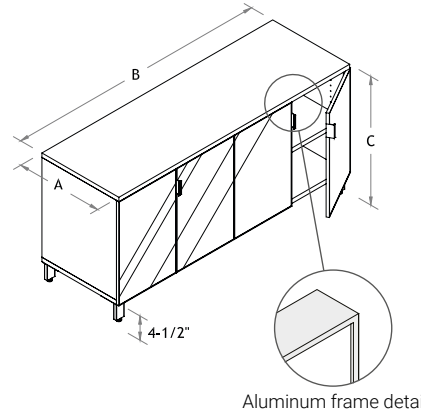
AR3L - Glass Doors



AR3R - Glass Doors



ARAR - Glass Doors



Manufacturing Standards

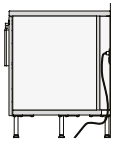
- Cabinet with 3 or 4 soft close doors;
- Frosted glass (VS) doors with aluminum-frame and built-in handle;
- 1 adjustable shelf per section;
- Chrome-finish metal legs;
- Height: 29".

Color Glass: See [Appendix A](#) for other glass color choices, V5, KB, KS, KR, KE, KO, KM, KA and KG all at the same price as V4.

See [Appendix A](#) for the metal finishes available (no extra charge).

Options

Electrical Wire Management



\$0

Prices

AR3L / AR3R - Glass Doors

Dimensions	Door insert (see Appendix A for further details)					
	A	B	C	VS	PL	V4
204829				2125	2263	2582
244829				2183	2322	2641

ARAR - Glass Doors

Dimensions	Door insert (see Appendix A for further details)					
	A	B	C	VS	PL	V4
206029				2493	2669	3063
246029				2560	2735	3134

How to Order

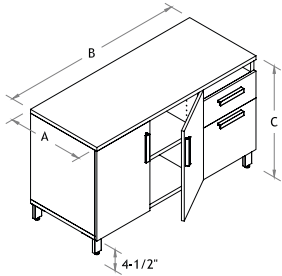
LV	A B C	AR3L AR3R ARAR	EM	V4 PL VS (std)	P	WH BL SN CHR (std)
series	dimensions	product	electricity (Appx. K)	insert (Appx. A)	hutch (Appx. H)	metal finish (Appx. A)

Example LV 206029 ARAR EM VS P CHR

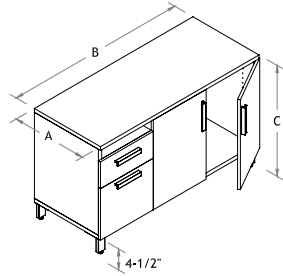
Floor Storage

Credenzas

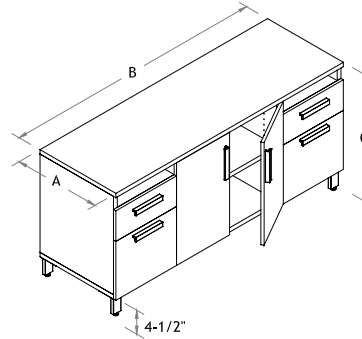
ARJ



JAR



JARJ



Manufacturing Standards

- Cabinet with 2 soft close doors;
- 1 adjustable shelf;
- 1 or 2 sections with 1 pigeonhole unit, 1 utility drawer and 1 file drawer for letter and legal formats;
- Chrome-finish H052 metal handle;
- Chrome-finish metal legs;
- Vertical wood grain on front;
- Height: 29".

See [Appendix A](#) for the metal finishes available (no extra charge).
Specify if different handle desired (no extra charge, see [p. 149](#)).

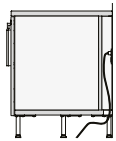
Options

Lock



\$43 ea.

Electrical Wire Management



\$0

Prices

ARJ / JAR

Dimensions A B C	Front finish (see Appendix A for further details)	
	Std	Hg
204829	1500	1615
244829	1553	1663

JARJ

Dimensions A B C	Front finish (see Appendix A for further details)	
	Std	Hg
206029	1985	2123
246029	2048	2185

How to Order

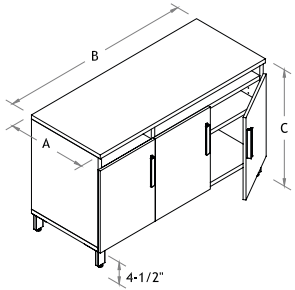
LV	A B C	ARJ JAR JARJ	EM	P	WH BL SN CHR (std)	H052 (std)	LKBL LKSN
series	dimensions	product	electricity (Appx. K)	hutch (Appx. H)	metal finish (Appx. A)	handle (p. 149)	lock (p. 154)

Example LV 206029 JARJ EM P CHR H052 LKSN

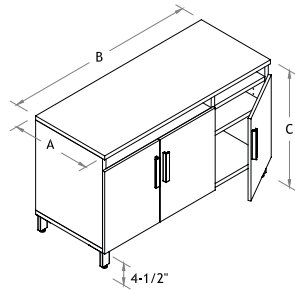
Floor Storage

Credenzas

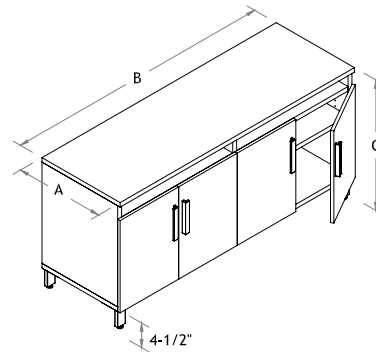
PGAR3L



PGAR3R



PGARAR



Manufacturing Standards

- Cabinet with 3 or 4 soft close doors depending on unit length;
- 1 pigeonhole unit and 1 adjustable shelf per section;
- Chrome-finish H052 metal handle;
- Chrome-finish metal legs;
- Vertical wood grain on front;
- Height: 29".

See [Appendix A](#) for the metal finishes available (no extra charge).
Specify if different handle desired (no extra charge, see [p. 149](#)).

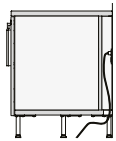
Options

Lock



\$43 ea.

Electrical Wire Management



\$0

Prices

PGAR3L / PGAR3R

Dimensions A B C	Front finish (see Appendix A for further details)	
	Std	Hg
204829	1418	1523
244829	1478	1581

PGARAR

Dimensions A B C	Front finish (see Appendix A for further details)	
	Std	Hg
206029	1582	1714
246029	1656	1784

How to Order

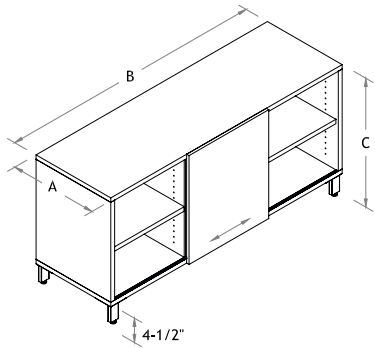
LV	A B C	PGAR3L PGAR3R PGARAR	EM	P	WH BL SN CHR (std)	H052 (std)	LKBL LKSN
series	dimensions	product	electricity (Appx. K)	hutch (Appx. H)	metal finish (Appx. A)	handle (p. 149)	lock (p. 154)

Example LV 206029 PGARAR EM P CHR H052 LKSN

Floor Storage

Credenzas

SF



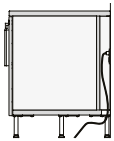
Manufacturing Standards

- 1 sliding front;
- 3 open storage spaces;
- 1 adjustable shelf per section;
- Chrome-finish metal legs;
- Vertical wood grain on front;
- Height: 29".

See [Appendix A](#) for the metal finishes available (no extra charge).

Options

Electrical Wire Management



\$0

Prices

Dimensions A B C	Front finish (see Appendix A for further details)	
	Std	Hg
204829	1303	1342
244829	1358	1398
206029	1371	1424
246029	1435	1486

How to Order

LV	A B C	SF	EM	P	WH BL SN CHR (std)
series	dimensions	product	electricity (Appx. K)	hutch (Appx. H)	metal finish (Appx. A)

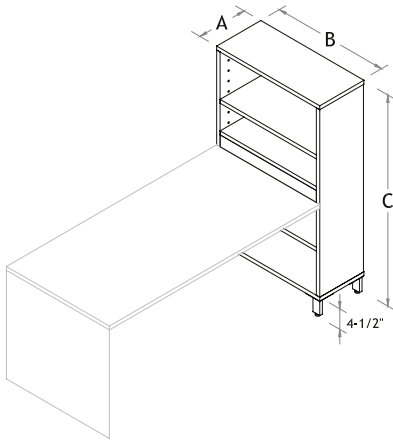
Example LV 206029 SF EM P CHR

Secondary Desks



Leg Base Storage

UN22



Manufacturing Standards

- 1 adjustable shelf in the lower section;
- 4 chrome-finish metal legs.

Upper section:
 42": 0 adjustable shelves
 51": 1 adjustable shelf
 54": 1 adjustable shelf

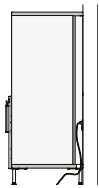
See [Appendix A](#) for the metal finishes available (no extra charge).

Actual dimension of "B" is 1/2" larger than listed.

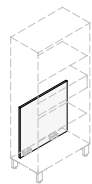
Option: Grommet in the back is a round 2.5" black grommet.

Options

Electrical Wire Management Removable Panel



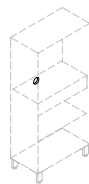
\$0



PA

\$35

Grommet in the back



GRC

\$0

Prices

Dimensions

A B C

132442 903

132451 1013

132454 1021

133042 936

133051 1054

133054 1063

182442 950

182451 1066

182454 1074

183042 978

183051 1111

183054 1121

202442 957

202451 1085

202454 1094

203042 994

203051 1130

203054 1145

How to Order

LV	A B C	UN22	EM PA	WH BL SN CHR (std)	GRC NGR (std)
series	dimensions	product	electricity (Appx. K)	metal finish (Appx. A)	grommet

Example LV 132442 UN22 EM CHR GRC

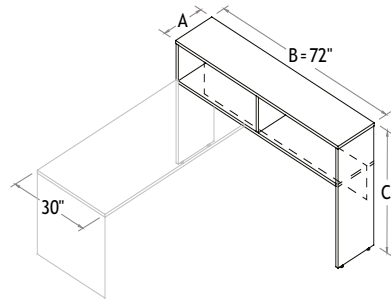
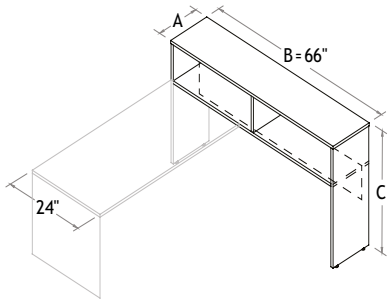
Secondary Desks



Leg Base Storage

UN23 - 66"

UN23 - 72"

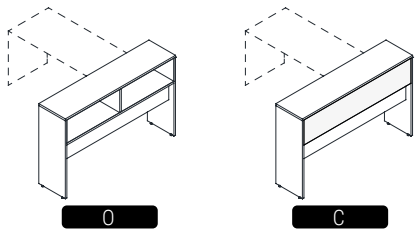


Manufacturing Standards

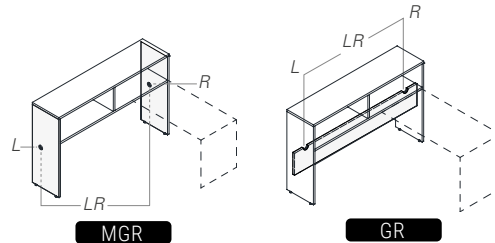
- 1" laminate leg base;
- PM modesty panel (10"), 3" Recessed;
- Vertical wood grain on leg base;
- Open storage;
- Height: 42".

Options

Back options



Grommets



Prices

Dimensions

A	B	C
166642	683	
167242	698	

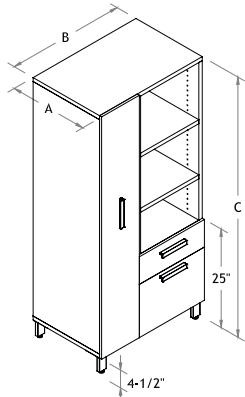
How to Order

LV	ABC	UN23	C O (std)	MGR MGR MGLR	GRB GRL GLR NGR (std)
series	dimensions	product	back	side-leg grommet	modesty grommet
Example LV	167242	UN23	O	MGR	GRL

Floor Storage

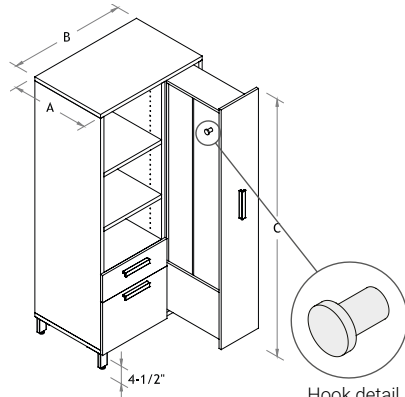
Sliding Wardrobe Towers

UN09L



Opening on the right

UN09R



Opening on the left

Manufacturing Standards

- Bookcase storage with adjustable shelves;
- 1 utility drawer;
- 1 file drawer for letter and legal formats;
- Sliding wardrobe with CRLI010 hook;
- Chrome-finish H052 metal handles;
- Ventilation grill in back;
- Chrome-finish metal legs;
- Vertical wood grain on front.

51" to 54": 1 adjustable shelf
60" to 66": 2 adjustable shelves

See [Appendix A](#) for the metal finishes available (no extra charge).

Specify if different handle desired (no extra charge, see [p. 149](#)).

Options

Lock



\$43 ea.

Prices

Dimensions A B C	Front finish (see Appendix A for further details)	
	Std	Hg
203051	2295	2400
243051	2384	2489
203054	2295	2400
243054	2384	2489
203060	2412	2526
243060	2514	2625
203064	2460	2577
243064	2564	2684
203066	2460	2577
243066	2564	2684

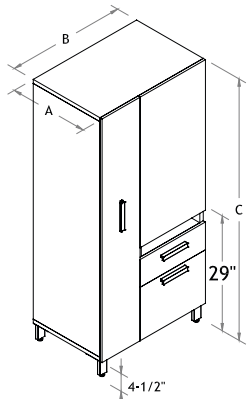
How to Order

LV	A B C	UN09L UN09R	WH BL SN CHR (std)	H052 (std)	LKBL LKSN	CRLI010 (std)	
series	dimensions	product	metal finish (Appx. A)	handle (p. 149)	lock (p. 154)	hook (p. 155)	
Example	LV	243060	UN09L	CHR	H052	LKSN	CRLI010

Floor Storage

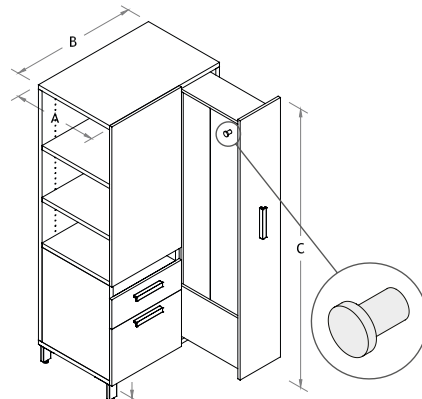
Sliding Wardrobe Towers

UN10L



Opening on the right

UN10R



Opening on the left

Hook detail

Manufacturing Standards

- Sliding wardrobe with CRLI010 hook;
- Bookcase section on the side, with adjustable shelves;
- 1 pigeonhole unit;
- 1 utility drawer;
- 1 file drawer for letter and legal formats;
- Chrome-finish H052 metal handles;
- Chrome-finish metal legs;
- Ventilation grill in back;
- Vertical wood grain on front.

51" to 60": 1 adjustable shelf
64" to 66": 2 adjustable shelves

See [Appendix A](#) for the metal finishes available (no extra charge).

Specify if different handle desired (no extra charge, see [p. 149](#)).

Options

Lock



\$43 ea.

Prices

Dimensions A B C	Front finish (see Appendix A for further details)	
	Std	Hg
203051	2410	2566
243051	2489	2648
203054	2410	2566
243054	2489	2648
203060	2456	2636
243060	2542	2720
203064	2576	2773
243064	2671	2864
203066	2576	2773
243066	2671	2864

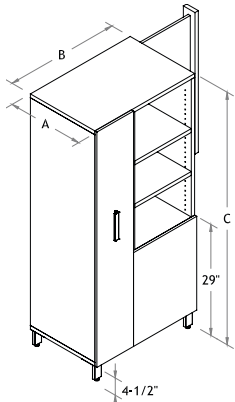
How to Order

LV	A B C	UN10L UN10R	WH BL SN CHR (std)	H052 (std)	LKBL LKSN	CRLI010 (std)	
series	dimensions	product	metal finish (Appx. A)	handle (p. 149)	lock (p. 154)	hook (p. 155)	
Example	LV	243060	UN10L	CHR	H052	LKSN	CRLI010

Floor Storage

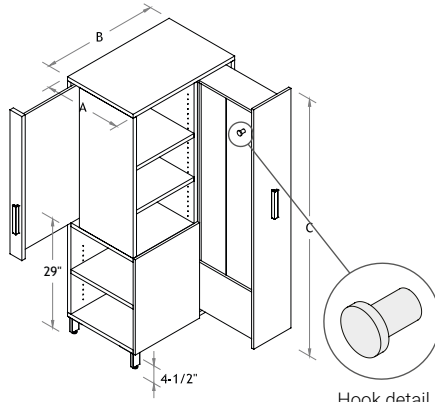
Sliding Wardrobe Towers

UN11L



Opening on the right

UN11R



Opening on the left

Hook detail

Manufacturing Standards

- 2 bookcase sections with adjustable shelves;
- Sliding white board with chrome-finish H052 metal handle;
- Sliding wardrobe with CRLI010 hook;
- Chrome-finish H052 metal handle;
- Ventilation grill in back;
- Chrome-finish metal legs;
- Vertical wood grain on front.

51" to 60": 2 adjustable shelves
64" to 66": 3 adjustable shelves

See [Appendix A](#) for the metal finishes available (no extra charge).

Specify if different handle desired (no extra charge, see [p. 149](#)).

Options

Lock



\$43 ea.

Prices

Dimensions A B C	Front finish (see Appendix A for further details)	
	Std	Hg
203051	2808	2839
243051	2857	2870
203054	2808	2839
243054	2857	2870
203060	2895	3007
243060	2959	3072
203064	3050	3171
243064	3124	3246
203066	3050	3171
243066	3124	3246

How to Order

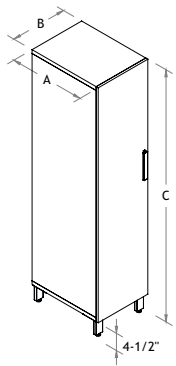
LV	A B C	UN11L UN11R	WH BL SN CHR (std)	H052 (std)	LKBL LKSN	CRLI010 (std)	
series	dimensions	product	metal finish (Appx. A)	handle (p. 149)	lock (p. 154)	hook (p. 155)	
Example	LV	243060	UN11L	CHR	H052	LKSN	CRLI010

Floor Storage

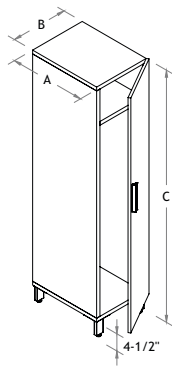


Wardrobe Towers

VL



VR



Manufacturing Standards

- Wardrobe with 1 soft close door;
- 1 fixed shelf;
- 1 clothes rail;
- Chrome-finish H052 metal handle;
- Ventilation grill in back;
- Chrome-finish metal legs;
- Vertical wood grain on front.

See [Appendix A](#) for the metal finishes available (no extra charge).
Specify if different handle desired (no extra charge, see [p. 149](#)).

Options

Lock



\$43 ea.

Prices

Dimensions A B C	Front finish (see Appendix A for further details)	
	Std	Hg
201551	999	1083
201851	1028	1127
241551	1034	1118
241851	1066	1166
201554	999	1083
201854	1028	1127
241554	1034	1118
241854	1066	1166
201560	1026	1118
201860	1054	1167
241560	1063	1156
241860	1093	1208
201564	1049	1153
201864	1082	1206
241564	1090	1196
241864	1125	1251
201566	1049	1153
201866	1082	1206
241566	1090	1196
241866	1125	1251

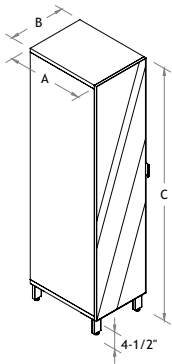
How to Order

	A B C	VL VR	WH BL SN CHR (std)	H052 (std)	LKBL LKSN
LV					
series	dimensions	product	metal finish (Appx. A)	handle (p. 149)	lock (p. 154)
Example LV	241860	VL	CHR	H052	LKSN

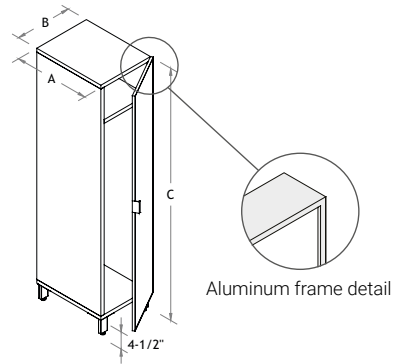
Floor Storage

Wardrobe Towers

VL - Glass Doors



VR - Glass Doors



Manufacturing Standards

- Wardrobe with 1 soft close door;
- Frosted glass (VS) door with aluminum-frame and built-in handle;
- 1 fixed shelf;
- 1 clothes rail;
- Ventilation grill in back;
- Chrome-finish metal legs.

Color Glass: See [Appendix A](#) for other glass color choices, V5, KB, KS, KR, KE, KO, KM, KA and KG all at the same price as V4.

See [Appendix A](#) for the metal finishes available (no extra charge).

Prices

Dimensions A B C	Door insert (see Appendix A for further details)		
	VS	PL	V4
201551	1495	1587	1804
201851	1553	1663	1924
241551	1536	1629	1845
241851	1597	1710	1968
201554	1495	1587	1804
201854	1553	1663	1924
241554	1536	1629	1845
241854	1597	1710	1968
201560	1549	1655	1894
201860	1613	1739	2031
241560	1595	1698	1940
241860	1660	1787	2078
201564	1604	1721	1988
201864	1675	1812	2134
241564	1654	1767	2037
241864	1726	1862	2183
201566	1604	1721	1988
201866	1675	1812	2134
241566	1654	1767	2037
241866	1726	1862	2183

How to Order

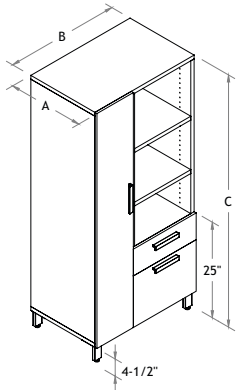
LV	A B C	VL VR	V4 PL VS (std)	WH BL SN CHR (std)
series	dimensions	product	insert (Appx. A)	metal finish (Appx. A)

Example LV 201860 VL VS CHR

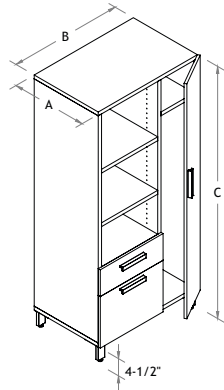
Floor Storage

Wardrobe Towers

UN05L



UN05R



Manufacturing Standards

- Wardrobe section with 1 soft close door, 1 fixed shelf, 1 clothes rail and ventilation grill in back;
- Bookcase storage with adjustable shelves;
- 1 utility drawer;
- 1 file drawer for letter and legal formats;
- Chrome-finish H052 metal handle;
- Chrome-finish metal legs;
- Vertical wood grain on front.

51" to 60": 1 adjustable shelf
 64" to 66": 2 adjustable shelves

See [Appendix A](#) for the metal finishes available (no extra charge).

Specify if different handle desired (no extra charge, see [p. 149](#)).

Options

Lock



\$43 ea.

Prices

Dimensions A B C	Front finish (see Appendix A for further details)	
	Std	Hg
203051	1655	1761
243051	1727	1832
203054	1655	1761
243054	1727	1832
203060	1762	1874
243060	1832	1958
203064	1796	1916
243064	1886	2006
203066	1796	1916
243066	1886	2006

How to Order

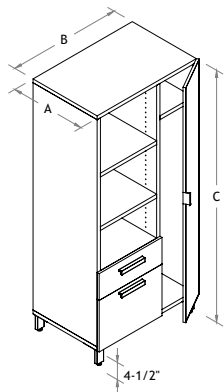
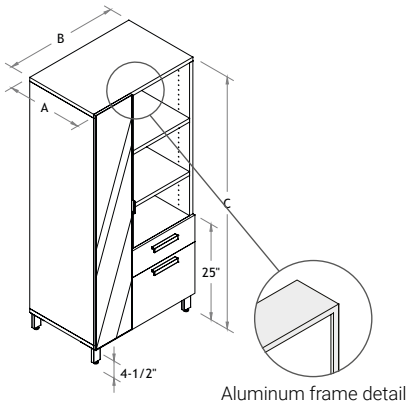
LV	A B C	UN05L UN05R	WH BL SN CHR (std)	H052 (std)	LKBL LKSN
series	dimensions	product	metal finish (Appx. A)	handle (p. 149)	lock (p. 154)
Example LV	243060	UN05L	CHR	H052	LKSN

Floor Storage

Wardrobe Towers

UN05L - Glass Doors

UN05R - Glass Doors



Manufacturing Standards

- Wardrobe section with 1 soft close door, 1 fixed shelf, 1 clothes rail and ventilation grill in back;
- Frosted glass (VS) doors with aluminum-frame and built-in handle;
- Bookcase storage with adjustable shelves;
- 1 utility drawer;
- 1 file drawer for letter and legal formats;
- Chrome-finish H052 metal handle;
- Chrome-finish metal legs;
- Vertical wood grain on front.

51" to 60": 1 adjustable shelf
 64" to 66": 2 adjustable shelves

Color Glass: See [Appendix A](#) for other glass color choices, V5, KB, KS, KR, KE, KO, KM, KA and KG all at the same price as V4.

See [Appendix A](#) for the metal finishes available (no extra charge).

Specify if different handle desired (no extra charge, see [p. 149](#)).

Options

Lock

Not available on glass doors



\$43 ea.

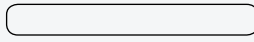
Prices

Dimensions A B C	Door insert (see Appendix A for further details)		
	VS	PL	V4
203051	2207	2279	2437
243051	2297	2365	2525
203054	2207	2279	2437
243054	2297	2365	2525
203060	2357	2434	2610
243060	2453	2531	2706
203064	2422	2507	2703
243064	2520	2607	2805
203066	2422	2507	2703
243066	2520	2607	2805
Glass doors and High Gloss front finish (see Appendix A for further details)			
203051	2262	2330	2489
243051	2349	2415	2574
203054	2262	2330	2489
243054	2349	2415	2574
203060	2408	2485	2663
243060	2504	2582	2759
203064	2474	2557	2755
243064	2574	2660	2852
203066	2474	2557	2755
243066	2574	2660	2852

How to Order

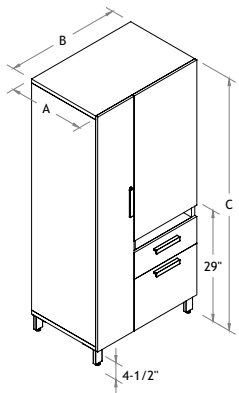
LV	A B C	UN05L UN05R	V4 PL VS (std)	WH BL SN CHR (std)	H052 (std)	LKBL LKSN	
series	dimensions	product	insert (Appx. A)	metal finish (Appx. A)	handle (p. 149)	lock (p. 154)	
Example	LV	243060	UN05L	VS	CHR	H052	LKSN

Floor Storage

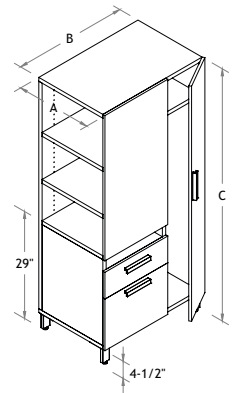


Wardrobe Towers

UN06L



UN06R



Manufacturing Standards

- Wardrobe section with 1 soft close door, 1 fixed shelf, 1 clothes rail and ventilation grill in back;
- Chrome-finish H052 metal handle;
- Bookcase storage on the side, with adjustable shelves;
- 1 section with 1 pigeonhole unit, 1 utility drawer and 1 file drawer for letter and legal formats;
- Chrome-finish metal legs;
- Vertical wood grain on front.

51" to 60": 1 adjustable shelf
 64" to 66": 2 adjustable shelves

See [Appendix A](#) for the metal finishes available (no extra charge).

Specify if different handle desired (no extra charge, see [p. 149](#)).

Options

Lock



\$43 ea.

Prices

Dimensions A B C	Front finish (see Appendix A for further details)	
	Std	Hg
203051	1768	1925
243051	1843	1992
203054	1768	1925
243054	1843	1992
203060	1807	1983
243060	1874	2051
203064	1914	2113
243064	1992	2188
203066	1914	2113
243066	1992	2188

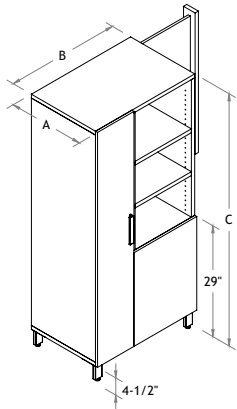
How to Order

LV	A B C	UN06L UN06R	WH BL SN CHR (std)	H052 (std)	LKBL LKSN
series	dimensions	product	metal finish (Appx. A)	handle (p. 149)	lock (p. 154)
Example LV	243060	UN06L	CHR	H052	LKSN

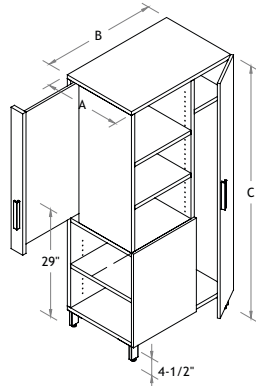
Floor Storage

Wardrobe Towers

UN07L



UN07R



Manufacturing Standards

- Wardrobe section with 1 soft close door, 1 fixed shelf, 1 clothes rail and ventilation grill in back;
- 2 bookcase sections with adjustable shelves;
- Sliding white board with chrome-finish H052 metal handle;
- Chrome-finish metal legs;
- Vertical wood grain on front.

51" to 60": 2 adjustable shelves
 64" to 66": 3 adjustable shelves

See [Appendix A](#) for the metal finishes available (no extra charge).

Specify if different handle desired (no extra charge, see [p. 149](#)).

Options

Lock



\$43 ea.

Prices

Dimensions A B C	Front finish (see Appendix A for further details)	
	Std	Hg
203051	2164	2271
243051	2227	2333
203054	2164	2271
243054	2227	2333
203060	2243	2355
243060	2311	2422
203064	2389	2511
243064	2465	2586
203066	2389	2511
243066	2465	2586

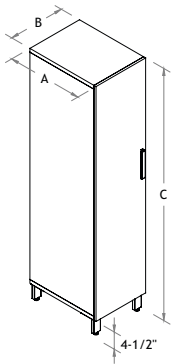
How to Order

LV	A B C	UN07L UN07R	WH BL SN CHR (std)	H052 (std)	LKBL LKSN
series	dimensions	product	metal finish (Appx. A)	handle (p. 149)	lock (p. 154)
Example LV	243060	UN07L	CHR	H052	LKSN

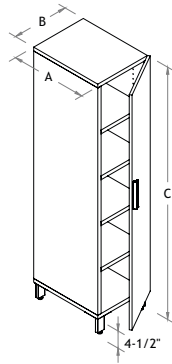
Floor Storage

Storage Towers

ARL



ARR



Manufacturing Standards

- Cabinet with 1 soft close door;
- Adjustable shelves;
- Chrome-finish H052 metal handle;
- Chrome-finish metal legs;
- Vertical wood grain on front.

51" to 60": 3 adjustable shelves
64" to 66": 4 adjustable shelves

See [Appendix A](#) for the metal finishes available (no extra charge).

Specify if different handle desired (no extra charge, see [p. 149](#)).

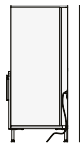
Options

Lock



\$43 ea.

Electrical Wire Management



\$0

Prices

Dimensions A B C	Front finish (see Appendix A for further details)	
	Std	Hg
201551	1112	1191
201851	1146	1247
241551	1153	1236
241851	1192	1290
201554	1112	1191
201854	1146	1247
241554	1153	1236
241854	1192	1290
201560	1137	1230
201860	1172	1284
241560	1182	1277
241860	1221	1332
201564	1230	1332
201864	1271	1395
241564	1280	1386
241864	1327	1450
201566	1230	1332
201866	1271	1395
241566	1280	1386
241866	1327	1450

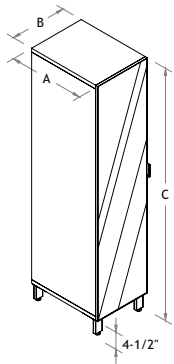
How to Order

LV	A B C	ARL ARR	EM	WH BL SN CHR (std)	H052 (std)	LKBL LKSN
series	dimensions	product	electricity (Appx. K)	metal finish (Appx. A)	handle (p. 149)	lock (p. 154)
Example LV	241860	ARL	EM	CHR	H052	LKSN

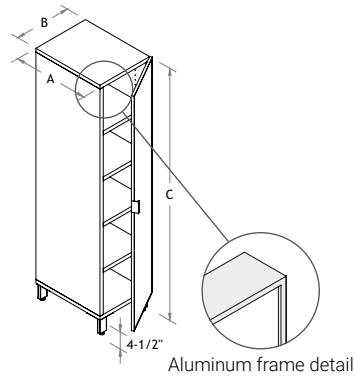
Floor Storage

Storage Towers

ARL - Glass Doors



ARR - Glass Doors



Manufacturing Standards

- Cabinet with 1 soft close door;
- Frosted glass (VS) door with aluminum-frame and built-in handle;
- Adjustable shelves;
- Chrome-finish metal legs.

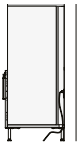
51" to 60": 3 adjustable shelves
 64" to 66": 4 adjustable shelves

Color Glass: See [Appendix A](#) for other glass color choices, V5, KB, KS, KR, KE, KO, KM, KA and KG all at the same price as V4.

See [Appendix A](#) for the metal finishes available (no extra charge).

Options

Electrical Wire Management



\$0

Prices

Dimensions A B C	Door insert (see Appendix A for further details)		
	VS	PL	V4
201551	1623	1718	1932
201851	1691	1804	2060
241551	1672	1766	1980
241851	1741	1854	2113
201554	1623	1718	1932
201854	1691	1804	2060
241554	1672	1766	1980
241854	1741	1854	2113
201560	1679	1785	2024
201860	1749	1875	2164
241560	1731	1834	2079
241860	1806	1932	2222
201564	1811	1861	2196
201864	1891	2032	2352
241564	1870	1987	2254
241864	1955	2097	2415
201566	1811	1861	2196
201866	1891	2032	2352
241566	1870	1987	2254
241866	1955	2097	2415

How to Order

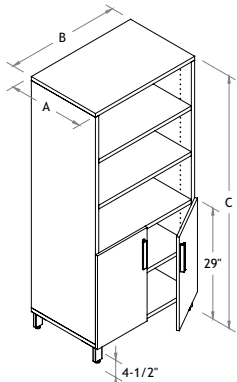
LV	A B C	ARL ARR	EM	V4 PL VS (std)	WH BL SN CHR (std)
series	dimensions	product	electricity (Appx. K)	insert (Appx. A)	metal finish (Appx. A)

Example LV 201860 ARL EM VS CHR

Floor Storage

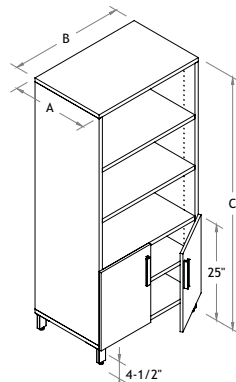
Storage Towers

UN13D



Door height: 29"

UN13P



Door height: 25"

Manufacturing Standards

- Bookcase section with adjustable shelves;
- Cabinet section with 2 soft close doors, 1 adjustable shelf and chrome-finish H052 metal handles;
- Chrome-finish metal legs;
- Vertical wood grain on front.

51" to 54": 2 adjustable shelves
60" to 66": 3 adjustable shelves

See [Appendix A](#) for the metal finishes available (no extra charge).

Specify if different handle desired (no extra charge, see [p. 149](#)).

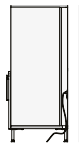
Options

Lock



\$43 ea.

Electrical Wire Management



\$0

Prices

Dimensions A B C	Front finish (see Appendix A for further details)	
	Std	Hg
203051	1166	1240
243051	1220	1293
203054	1166	1240
243054	1220	1293
203060	1264	1338
243060	1327	1401
203064	1285	1361
243064	1350	1424
203066	1285	1361
243066	1350	1424

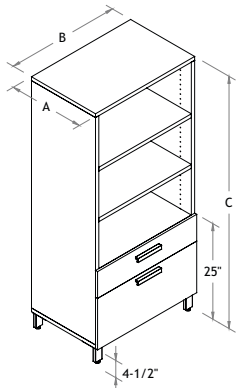
How to Order

LV	A B C	UN13D UN13P	EM	WH BL SN CHR (std)	H052 (std)	LKBL LKSN
series	dimensions	product	electricity (Appx. K)	metal finish (Appx. A)	handle (p. 149)	lock (p. 154)
Example LV	243060	UN13D	EM	CHR	H052	LKSN

Floor Storage

Storage Towers

UN14



Manufacturing Standards

- Bookcase section with adjustable shelves;
- 1 utility drawer with built-in divider;
- 1 file drawer for letter and legal formats;
- Chrome-finish H052 metal handle on drawer fronts;
- Chrome-finish metal legs;
- Vertical wood grain on front.

51" to 54": 1 adjustable shelf
 60" to 66": 2 adjustable shelves

See [Appendix A](#) for the metal finishes available (no extra charge).

Specify if different handle desired (no extra charge, see [p. 149](#)).

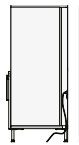
Options

Lock



\$43 ea.

Electrical Wire Management



\$0

Prices

Dimensions A B C	Front finish (see Appendix A for further details)	
	Std	Hg
203051	1280	1341
243051	1328	1390
203054	1280	1341
243054	1328	1390
203060	1377	1441
243060	1435	1496
203064	1399	1460
243064	1457	1520
203066	1399	1460
243066	1457	1520

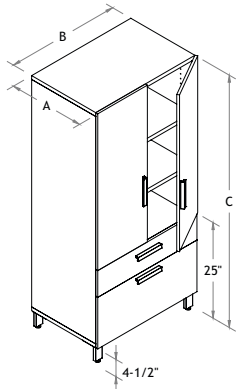
How to Order

LV	A B C	UN14	EM	WH BL SN CHR (std)	H052 (std)	LKBL LKSN
series	dimensions	product	electricity (Appx. K)	metal finish (Appx. A)	handle (p. 149)	lock (p. 154)
Example LV	243060	UN14	EM	CHR	H052	LKSN

Floor Storage

Storage Towers

UN16



Manufacturing Standards

- Cabinet section with 2 soft close doors;
- Adjustable shelves;
- 1 utility drawer with built-in divider;
- 1 lateral file drawer for letter and legal formats;
- Chrome-finish H052 metal handle;
- Chrome-finish metal legs;
- Vertical wood grain on front.

51" to 54": 1 adjustable shelf
 60" to 66": 2 adjustable shelves

See [Appendix A](#) for the metal finishes available (no extra charge).

Specify if different handle desired (no extra charge, see [p. 149](#)).

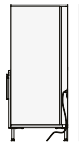
Options

Lock



\$43 ea.

Electrical Wire Management



\$0

Prices

Dimensions A B C	Front finish (see Appendix A for further details)	
	Std	Hg
203051	1478	1630
243051	1526	1675
203054	1478	1630
243054	1526	1675
203060	1587	1754
243060	1643	1810
203064	1617	1805
243064	1678	1861
203066	1617	1805
243066	1678	1861

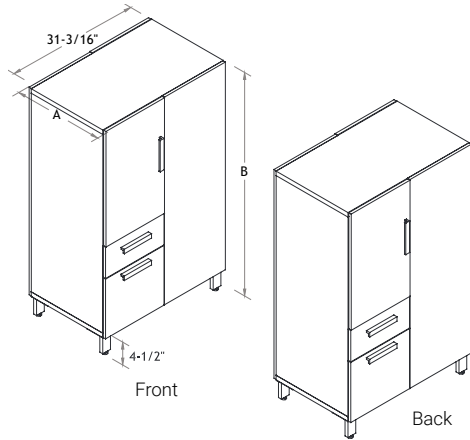
How to Order

LV	A B C	UN16	EM	WH BL SN CHR (std)	H052 (std)	LKBL LKSN
series	dimensions	product	electricity (Appx. K)	metal finish (Appx. A)	handle (p. 149)	lock (p. 154)
Example LV	243060	UN16	EM	CHR	H052	LKSN

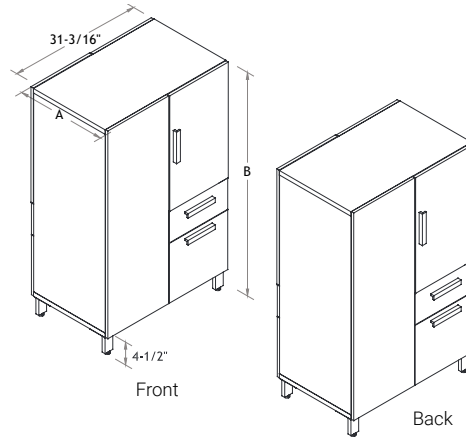
Floor Storage

Shared Storage Towers

UND03L



UND03R



Manufacturing Standards

- Cabinet on each side with 1 soft close door;
- Adjustable shelves;
- 1 utility drawer per side;
- 1 file drawer per side for letter and legal formats;
- Chrome-finish H052 metal handle;
- Chrome-finish metal legs;
- Vertical wood grain on front.

51" to 54": 1 adjustable shelf
60" to 66": 2 adjustable shelves

See [Appendix A](#) for the metal finishes available (no extra charge).

Specify if different handle desired (no extra charge, see [p. 149](#)).

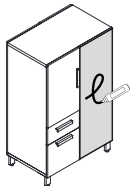
Options

Lock



\$43 ea.

Marker Board



MB

\$443

Prices

Dimensions A B	Front finish (see Appendix A for further details)	
	Std	Hg
2051	1873	2156
2054	1911	2199
2060	1949	2242
2064	1987	2285
2066	2024	2329
2451	2088	2401
2454	2125	2445
2460	2163	2487
2464	2202	2532
2466	2240	2575

How to Order

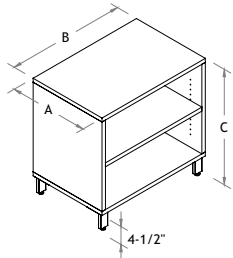
LV	A B	UND03L UND03R	WH BL SN CHR (std)	MB	H052 (std)	LKBL LKSN
series	dimensions	product	metal finish (Appx. A)	marker board	handle (p. 149)	lock (p. 154)
Example LV	2060	UND03L	CHR		H052	LKSN

Floor Storage

Bookcases

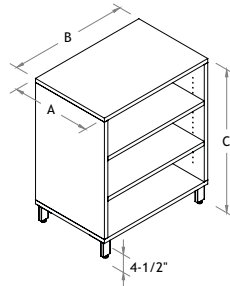
BBL 29

29" high - 1 adjustable shelf



BBL 36

36" high - 2 adjustable shelves



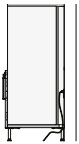
Manufacturing Standards

- Bookcase with adjustable shelves;
- Chrome-finish metal legs.

See [Appendix A](#) for the metal finishes available (no extra charge).

Options

Electrical Wire Management



\$0

How to Order

LV	A B C	BBL	EM	WH BL SN CHR (std)
series	dimensions	product	electricity (Appx. K)	metal finish (Appx. A)

Example LV 243036 BBL EM CHR

Prices

BBL 29

Dimensions

A	B	C
162429	700	
163029	728	
163629	753	
182429	722	
183029	753	
183629	783	
202429	739	
203029	771	
203629	800	
242429	769	
243029	806	
243629	840	

BBL 36

Dimensions

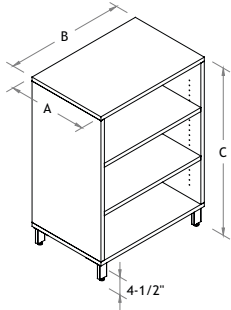
A	B	C
162436	796	
163036	830	
163636	864	
182436	824	
183036	864	
183636	901	
202436	843	
203036	884	
203636	927	
242436	882	
243036	931	
243636	978	

Floor Storage

Bookcases

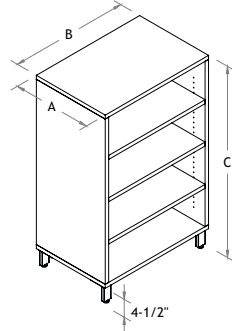
BBL 42

42" high - 2 adjustable shelves



BBL 48

48" high - 3 adjustable shelves



Manufacturing Standards

- Bookcase with adjustable shelves;
- Chrome-finish metal legs.

See [Appendix A](#) for the metal finishes available (no extra charge).

Prices

BBL 42

Dimensions

A	B	C
162442		816
163042		852
163642		884
182442		845
183042		884
183642		926
202442		868
203042		910
203642		953
242442		909
243042		958
243642		1007

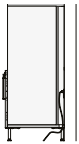
BBL 48

Dimensions

A	B	C
162448		907
163048		951
163648		993
182448		947
183048		993
183648		1041
202448		968
203048		1021
203648		1075
242448		1019
243048		1082
243648		1140

Options

Electrical Wire Management



\$0

How to Order

LV	A B C	BBL	EM	WH BL SN CHR (std)
series	dimensions	product	electricity (Appx. K)	metal finish (Appx. A)

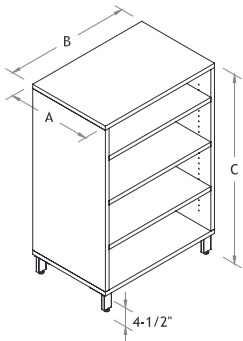
Example LV 243048 BBL EM CHR

Floor Storage

Bookcases

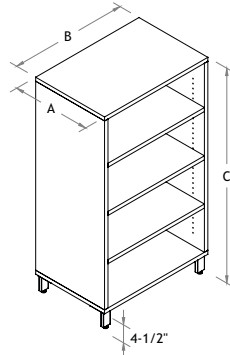
BBL 51

51" high - 3 adjustable shelves



BBL 54

54" high - 3 adjustable shelves



Manufacturing Standards

- Bookcase with adjustable shelves;
- Chrome-finish metal legs.

See [Appendix A](#) for the metal finishes available (no extra charge).

Prices

BBL 51

Dimensions

A	B	C
162451	991	
163051	1035	
163651	1082	
182451	1031	
183051	1082	
183651	1130	
202451	1057	
203051	1112	
203651	1166	
242451	1112	
243051	1172	
243651	1232	

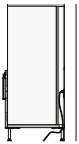
BBL 54

Dimensions

A	B	C
162454	991	
163054	1035	
163654	1082	
182454	1031	
183054	1082	
183654	1130	
202454	1057	
203054	1112	
203654	1166	
242454	1112	
243054	1172	
243654	1232	

Options

Electrical Wire Management



\$0

How to Order

LV	A B C	BBL	EM	WH BL SN CHR (std)
series	dimensions	product	electricity (Appx. K)	metal finish (Appx. A)

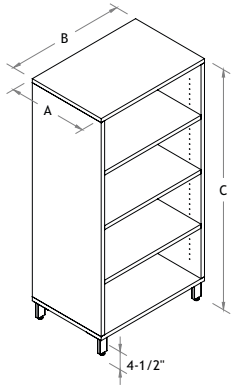
Example LV 243054 BBL EM CHR

Floor Storage

Bookcases

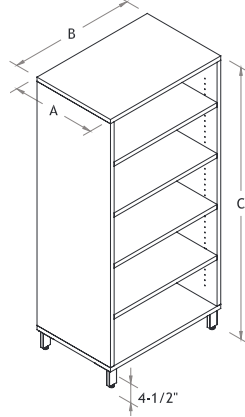
BBL 60

60" high - 3 adjustable shelves



BBL 64

64" high - 4 adjustable shelves



Manufacturing Standards

- Bookcase with adjustable shelves;
- Chrome-finish metal legs.

See [Appendix A](#) for the metal finishes available (no extra charge).

Prices

BBL 60

Dimensions

A	B	C
162460	1009	
163060	1056	
163660	1101	
182460	1051	
183060	1103	
183660	1155	
202460	1082	
203060	1134	
203660	1192	
242460	1137	
243060	1200	
243660	1262	

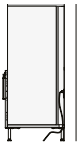
BBL 64

Dimensions

A	B	C
162464	1099	
163064	1155	
163664	1210	
182464	1150	
183064	1210	
183664	1273	
202464	1182	
203064	1248	
203664	1314	
242464	1248	
243064	1321	
243664	1395	

Options

Electrical Wire Management



\$0

How to Order

LV	A B C	BBL	EM	WH BL SN CHR (std)
series	dimensions	product	electricity (Appx. K)	metal finish (Appx. A)

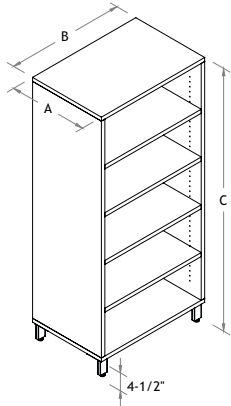
Example LV 243064 BBL EM CHR

Floor Storage

Bookcases

BBL 66

66" high - 4 adjustable shelves



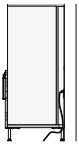
Manufacturing Standards

- Bookcase with adjustable shelves;
- Chrome-finish metal legs.

See [Appendix A](#) for the metal finishes available (no extra charge).

Options

Electrical Wire Management



\$0

Prices

BBL 66

Dimensions

A	B	C
162466	1099	
163066	1155	
163666	1210	
182466	1150	
183066	1210	
183666	1273	
202466	1182	
203066	1248	
203666	1314	
242466	1248	
243066	1321	
243666	1395	

How to Order

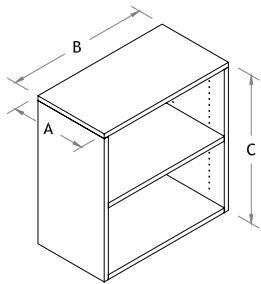
LV	A B C	BBL	EM	WH BL SN CHR (std)
series	dimensions	product	electricity (Appx. K)	metal finish (Appx. A)

Example LV 243066 BBL EM CHR

Storage Units

Surface Units

HBBL

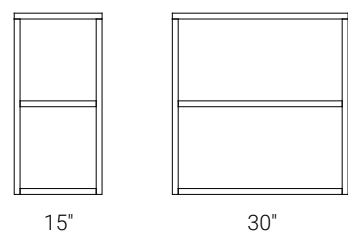


Manufacturing Standards

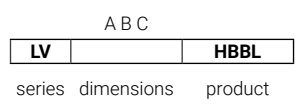
- Surface bookcase with adjustable shelf/shelves.
- 25"H to 31"H: 1 adjustable shelf
37"H: 2 adjustable shelves

Prices

Dimensions	
A	B C
161525	479
163025	538
161531	492
163031	557
161537	509
163037	575



How to Order

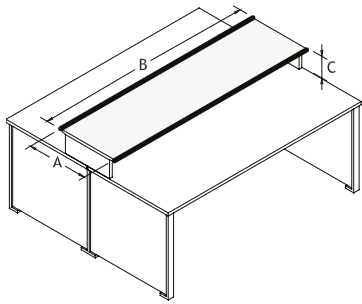


Example LV 163031 HBBL

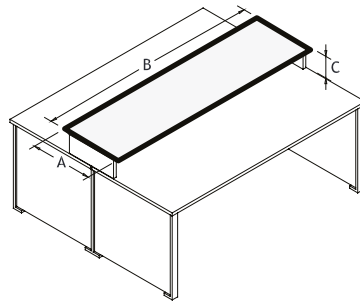
Storage Units

Shelf for Shared Desks

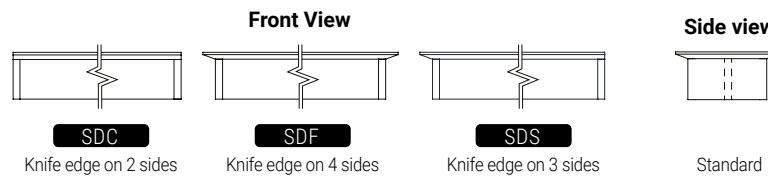
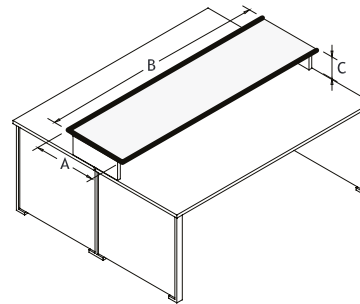
SDC



SDF



SDS



Manufacturing Standards

- Delivered disassembled;
- 1" laminate top with knife edge;
- Work surface mounting hardware.

Prices

Dimensions	
A	B C
113007	361
113607	382
114207	402
114807	422
115407	468
116007	488
116607	510
117207	529
117807	551
118407	570
143007	389
143607	414
144207	439
144807	463
145407	513
146007	539
146607	566
147207	590
147807	614
148407	638
203007	442
203607	477
204207	509
204807	545
205407	605
206007	637
206607	675
207207	707
207807	741
208407	775

How to Order

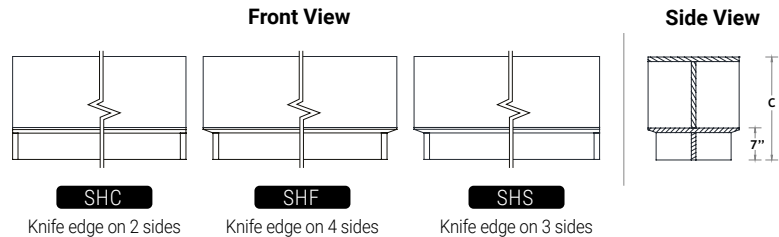
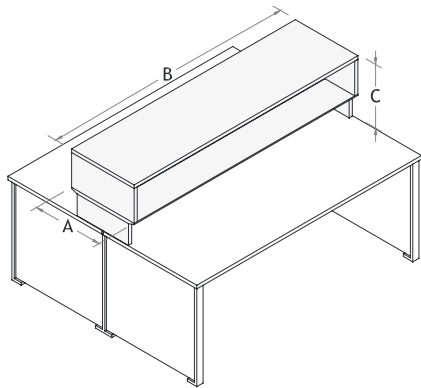
LV	A B C	SDC SDF SDS
series	dimensions	product

Example LV 207207 SDS

Storage Units

Shelf for Shared Desks

SH



Manufacturing Standards

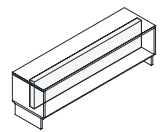
- Delivered disassembled;
- 1" laminate shelf with integrated hutch and knife edge, 17"H;
- Work surface mounting hardware.

Prices

Dimensions	
A	B C
113017	526
113617	553
114217	579
114817	608
115417	660
116017	688
116617	717
117217	744
117817	772
118417	797
143017	560
143617	592
144217	624
144817	656
145417	714
146017	748
146617	783
147217	815
147817	845
148417	879
203017	625
203617	668
204217	710
204817	755
205417	824
206017	868
206617	911
207217	954
207817	996
208417	1040

Options

Tackboard



BA
See [Appendix C](#) for how to specify upholstery

GRA	GR1	GR2	GR3	GR4	GR5	GR6	GR7	GR8	GR9	GR10	GR11	GR12	Leather	
BA	\$619	\$652	\$696	\$740	\$795	\$850	\$905	\$960	\$1015	\$1070	\$1125	\$1235	\$1345	\$1253

How to Order

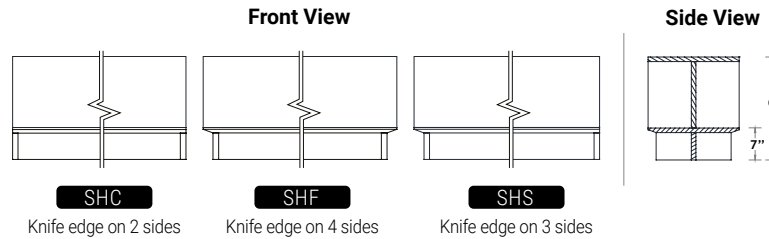
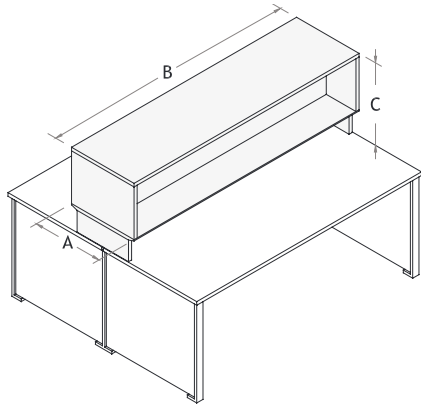
LV	A B C	SHC SHF SHS	BA
series	dimensions	product	tackboard

Example LV 207217 SHC BA

Storage Units

Shelf for Shared Desks

SH



Manufacturing Standards

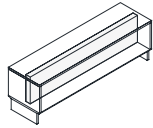
- Delivered disassembled;
- 1" laminate shelf with integrated hutch and knife edge, 22"H;
- Work surface mounting hardware.

Prices

Dimensions	
A	B C
113022	539
113622	568
114222	596
114822	624
115422	680
116022	708
116622	739
117222	768
117822	796
118422	824
143022	571
143622	607
144222	639
144822	676
145422	735
146022	769
146622	803
147222	838
147822	874
148422	907
203022	638
203622	685
204222	731
204822	773
205422	842
206022	889
206622	936
207222	980
207822	1026
208422	1071

Options

Tackboard



BA
See [Appendix C](#) for how to specify upholstery

GRA	GR1	GR2	GR3	GR4	GR5	GR6	GR7	GR8	GR9	GR10	GR11	GR12	Leather	
BA	\$619	\$652	\$696	\$740	\$795	\$850	\$905	\$960	\$1015	\$1070	\$1125	\$1235	\$1345	\$1253

How to Order

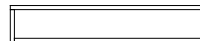
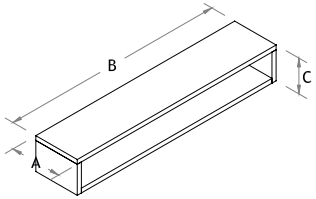
LV	A B C	SHC SHF SHS	BA
series	dimensions	product	tackboard

Example LV 207222 SHC BA

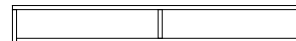
Storage Units

Wall Hutches

WWST



15" to 54" wide



60" to 84" wide

Manufacturing Standards

- 5/8" laminate construction;
- Z-bar wall mount;
- Closed back.

Actual exterior height (C): 7-5/8"

Interior height: 6-1/4"

Attention: Logiflex is not responsible for the installation of wall hutches. This responsibility belongs entirely to the distributor or the client.

Prices

Dimensions

A	B	C
101507	405	
102407	420	
103007	432	
103607	441	
104207	448	
104807	519	
105407	526	
106007	608	
106607	639	
107207	649	
107807	658	
108407	670	

How to Order

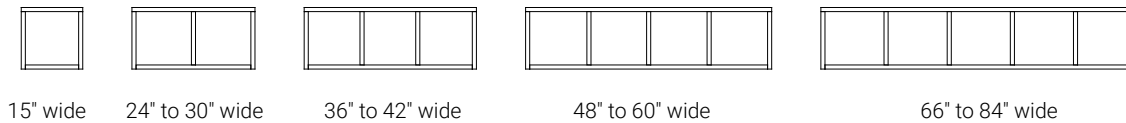
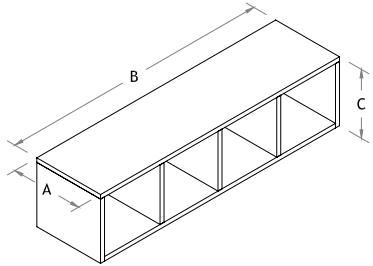
A B C		
LV		WWST
series	dimensions	product

Example LV 104807 WWST

Storage Units

Wall Hutches

HOW



Manufacturing Standards

- Open wall unit;
- Z-bar wall mount.

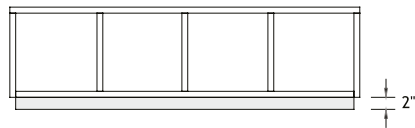
Interior height: 13".

Dividers: Offered as option. Pre-drilled holes for dividers (DVD), set of 3 wire dividers included.

Attention: Logiflex is not responsible for the installation of wall hutches. This responsibility belongs entirely to the distributor or the client.

Options

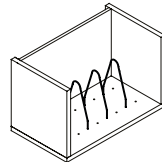
Task-Light Concealer



TV

\$149

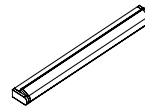
Pre-drilled Holes with 3 Dividers



DVD

\$27

Task Light



\$\$

Prices

Dimensions

A B C

161515	404
162415	487
163015	504
163615	575
164215	592
164815	721
165415	739
166015	755
166615	852
167215	868
167815	881
168415	899

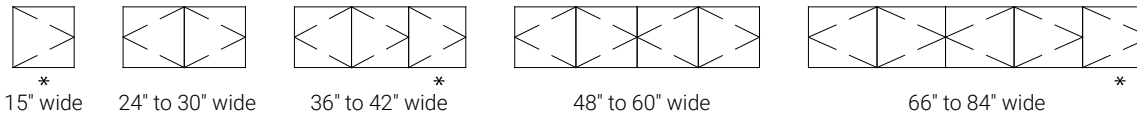
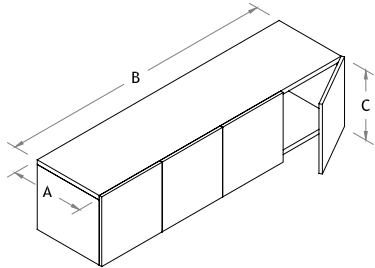
How to Order

LV	ABC	HOW	TV	DVD	T524 T536 T548 DEL20
series	dimensions	product	task-light concealer	dividers	task light (p. 162)
Example	LV 164815	HOW	TV	DVD	

Storage Units

Wall Hutches

ARW



* Specify which direction the single door opens, right (R) or left (L).

Manufacturing Standards

- 1-, 2-, 3-, 4- or 5-door cabinet;
- Vertical wood grain on front;
- Z-bar wall mount.

Interior height: 12-1/4".

Dividers: Offered as option. Pre-drilled holes for dividers (DVD), set of 3 wire dividers included.

Handles: To add handles, please choose from the Logiflex list, see p. 159. Add \$14 retail each.

Attention: Logiflex is not responsible for the installation of wall hutches. This responsibility belongs entirely to the distributor or the client.

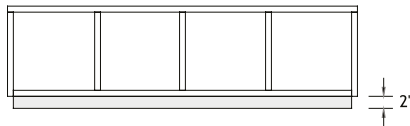
Options

Lock



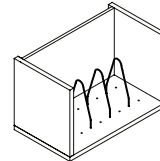
\$43 ea.

Task-Light Concealer



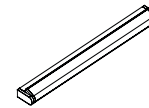
TV
\$149

Pre-drilled Holes with 3 Dividers



DVD
\$27

Task Light



\$\$

How to Order

LV	ABC	ARW	L R (std)	TV	LKBL LKSN	DVD	handle (p. 149)	task light (p. 162)
series	dimensions	product	single door direction	task-light concealer	lock (p. 154)	dividers		
Example	LV 164215	ARW	R	TV	LKSN	DVD		

T524
T536
T548
DEL20

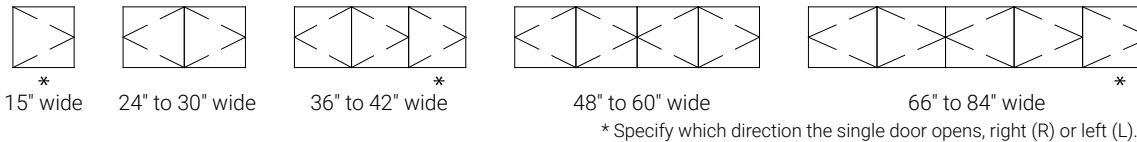
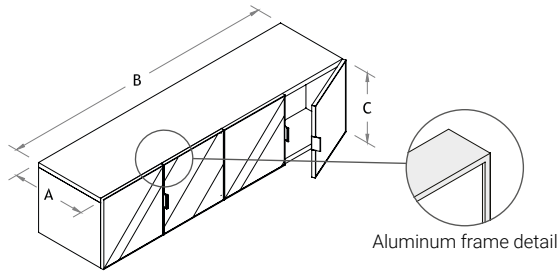
Prices

Dimensions A B C	Front finish (see Appendix A for further details)	
	Std	Hg
161515	464	498
162415	565	602
163015	583	631
163615	721	775
164215	743	806
164815	879	951
165415	900	982
166015	921	1010
166615	1078	1180
167215	1098	1208
167815	1121	1239
168415	1141	1268

Storage Units

Wall Hutches

ARW - Glass Doors



Manufacturing Standards

- Cabinet with 1, 2, 3, 4 or 5 soft close doors;
- Frosted glass (VS) doors with aluminum-frame and built-in handle;
- Z-bar wall mount.

Interior height: 12-1/4".

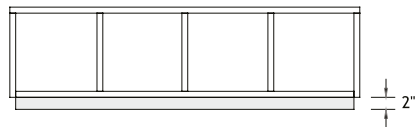
Dividers: Offered as option. Pre-drilled holes for dividers (DVD), set of 3 wire dividers included.

Color Glass: See Appendix A for other glass color choices, V5, KB, KS, KR, KE, KO, KM, KA and KG all at the same price as V4.

Attention: Logiflex is not responsible for the installation of wall hutches. This responsibility belongs entirely to the distributor or the client.

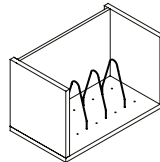
Options

Task-Light Concealer



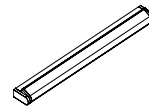
TV
\$149

Pre-drilled Holes with 3 Dividers



DVD
\$27

Task Light



SS

Prices

Dimensions A B C	Door insert (see Appendix A for further details)		
	VS	PL	V4
161515	697	721	780
162415	931	968	1063
163015	975	1028	1142
163615	1251	1310	1450
164215	1298	1366	1531
164815	1571	1653	1835
165415	1615	1707	1916
166015	1662	1765	1994
166615	1965	2076	2330
167215	2012	2132	2410
167815	2056	2188	2490
168415	2103	2244	2569

How to Order

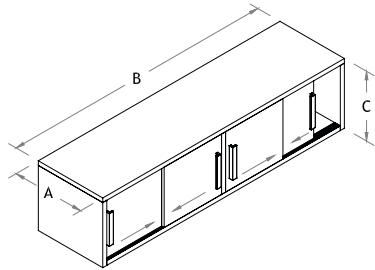
LV	ABC	ARW	L R (std)	V4 PL VS (std)	TV	DVD	T524 T536 T548 DEL20
series	dimensions	product	single door direction	insert (Appx. A)	task-light concealer	dividers	task light (p. 162)

Example LV 164215 ARW R VS TV DVD

Storage Units

Wall Hutches

SDW



24" to 48" wide



54" to 84" wide

Manufacturing Standards

- Cabinet with 2 or 4 sliding doors;
- Chrome-finish H052 metal handle;
- Vertical wood grain on front;
- Z-bar wall mount.

Interior height: 13".

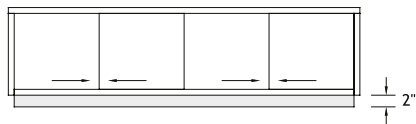
Dividers: Offered as option. Pre-drilled holes for dividers (DVD), set of 3 wire dividers included.

Specify if different handle desired (no extra charge, see p. 149).

Attention: Logiflex is not responsible for the installation of wall hutches. This responsibility belongs entirely to the distributor or the client.

Options

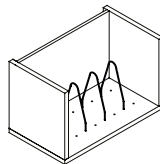
Task-Light Concealer



TV

\$149

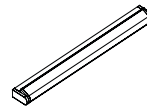
Pre-drilled Holes with 3 Dividers



DVD

\$27

Task Light



SS

Prices

Dimensions A B C	Front finish (see Appendix A for further details)	
	Std	Hg
162415	695	722
163015	719	756
163615	746	792
164215	771	823
164815	853	911
165415	1166	1232
166015	1191	1265
166615	1239	1321
167215	1262	1355
167815	1286	1388
168415	1314	1419

How to Order

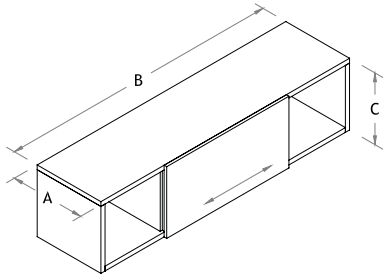
LV	ABC	SDW	TV	H052 (std)	DVD	T524 T536 T548 DEL20
series	dimensions	product	task-light concealer	handle (p. 149)	dividers	task light (p. 162)

Example LV 164815 SDW TV H052 DVD

Storage Units

Wall Hutches

SFW



Manufacturing Standards

- Wall cabinet with 1 sliding door on front;
- Vertical wood grain on front;
- Z-bar wall mount.

Interior height: 13".

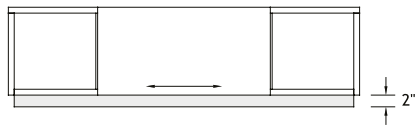
Interior divisions:

- Less than 48" inclusively= divided into 3 sections
- More than 48" = divided into 4 sections

Attention: Logiflex is not responsible for the installation of wall hutches. This responsibility belongs entirely to the distributor or the client.

Options

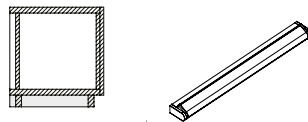
Task-Light Concealer



TV

\$149

Task Light



\$\$

Prices

Dimensions A B C	Front finish (see Appendix A for further details)	
	Std	Hg
163615	749	776
164215	772	801
164815	794	830
165415	873	911
166015	895	939
166615	938	988
167215	958	1011
167815	980	1037
168415	1001	1067

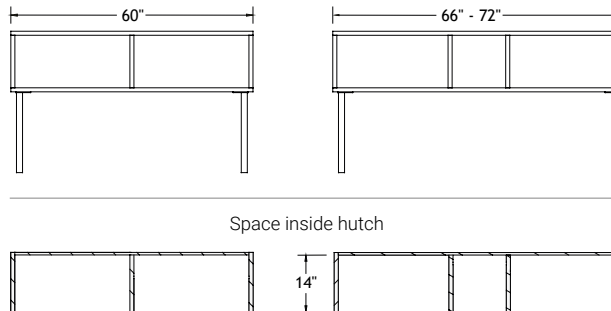
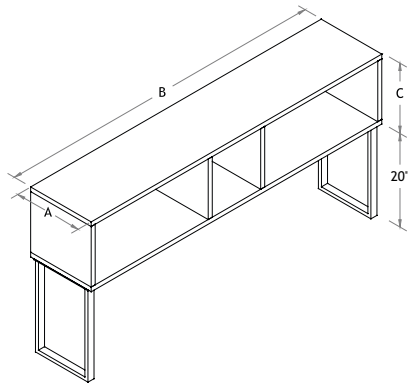
How to Order

LV	ABC	SFW	TV	+
series	dimensions	product	task-light concealer	task light (p. 162)
Example LV	164815	SFW	TV	T524 T536 T548 DEL20

Storage Units

Desk Hutches

HOSB



Manufacturing Standards

- Delivered disassembled;
- Open hutch;
- 20" high chrome-finish metal legs for hutch.

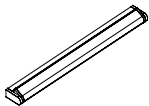
Note: When ordering a divider screen that is between two metal legs, the total length is 6" shorter than the length of the hutch because of the width of the legs. The screen lengths in the adjacent 'Options' price tables have already been adjusted to fit the hutches offered on this page.

Hutches are recessed 1/4" from surfaces they are installed on.

See [Appendix A](#) for the metal finishes available (no extra charge).

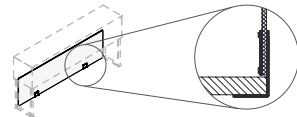
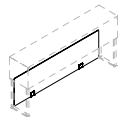
Options

Task Light



SS

Divider Screens



Under surface mount

UMHS - laminate - 5/8"		UBHS - tackboards - 7/8"					COM										Leather
A	B	GRA	GR1	GR2	GR3	GR4	GR5	GR6	GR7	GR8	GR9	GR10	GR11	GR12			
2060	\$445	2060	\$541	\$574	\$618	\$662	\$717	\$772	\$827	\$882	\$937	\$992	\$1047	\$1157	\$1267	\$1175	
2066	\$453	2066	\$551	\$592	\$647	\$702	\$771	\$840	\$908	\$977	\$1046	\$1115	\$1183	\$1321	\$1458	\$1344	
2072	\$460	2072	\$568	\$609	\$664	\$719	\$788	\$857	\$925	\$994	\$1063	\$1132	\$1200	\$1338	\$1475	\$1361	

How to Order

LV	ABC	HOSB	WH BL SN CHR (std)	UAHS UMHS UBHS	T524 T536 T548 DEL20
series	dimensions	product	metal finish (Appx. A)	division (Appx. I)	task light (p. 162)
Example	LV 156015	HOSB	CHR	UAHS	

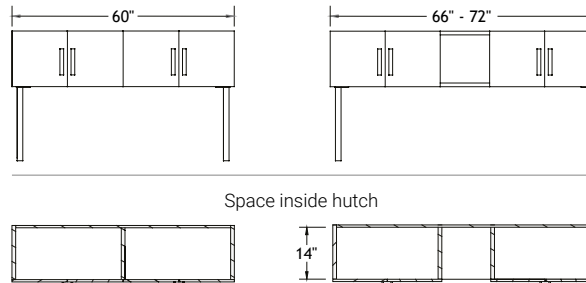
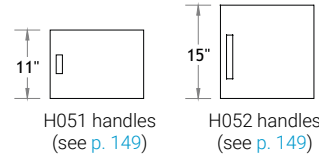
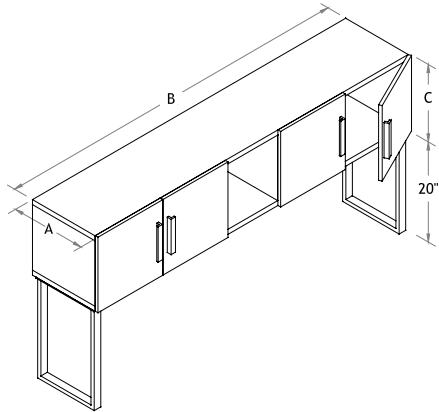
Prices

Dimensions	
A	B C
156011	1158
156611	1236
157211	1257
156015	1175
156615	1271
157215	1290

Storage Units

Desk Hutches

ARSB



Manufacturing Standards

- Delivered disassembled;
- 4 soft close doors;
- Chrome-finish H051 metal handles on 11" high hutch doors and H052 on 15" high hutch doors;
- 20" high chrome-finish metal legs for hutch;
- Vertical wood grain on front.

Note: When ordering a divider screen that is between two metal legs, the total length is 6" shorter than the length of the hutch because of the width of the legs. The screen lengths in the adjacent 'Options' price tables have already been adjusted to fit the hutches offered on this page.

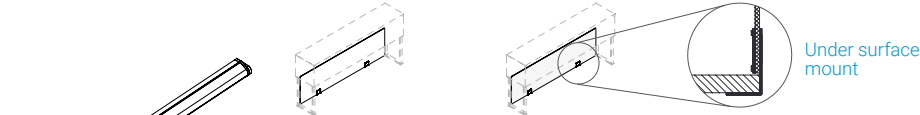
Hutches are recessed 1/4" from surfaces they are installed on.

Specify if different handle desired (no extra charge, see p. 149).

See Appendix A for the metal finishes available (no extra charge).

Options

Lock Task Light Divider Screens



UMHS - laminate - 5/8"	UBHS - tackboards - 7/8"												COM	Leather
A B	GRA	GR1	GR2	GR3	GR4	GR5	GR6	GR7	GR8	GR9	GR10	GR11	GR12	
2060 \$445	2060 \$541	\$574	\$618	\$662	\$717	\$772	\$827	\$882	\$937	\$992	\$1047	\$1157	\$1267	\$1175
2066 \$453	2066 \$551	\$592	\$647	\$702	\$771	\$840	\$908	\$977	\$1046	\$1115	\$1183	\$1321	\$1458	\$1344
2072 \$460	2072 \$568	\$609	\$664	\$719	\$788	\$857	\$925	\$994	\$1063	\$1132	\$1200	\$1338	\$1475	\$1361

\$43 ea.

\$\$

How to Order

LV	A B C	ARSB	WH BL SN CHR (std)	UAHS UMHS UBHS	LKBL LKSN	T524 T536 T548 DEL20
series	dimensions	product	metal finish (Appx. A)	division (Appx. I)	lock (p. 154)	task light (p. 162)
Example LV	156015	ARSB	CHR	UAHS	LKSN	

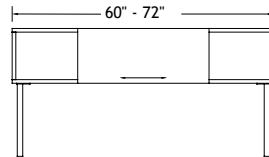
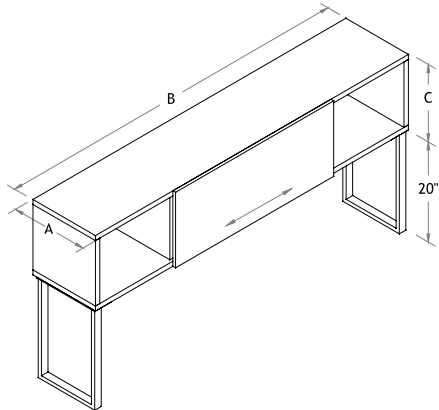
Prices

Dimensions A B C	Front finish (see Appendix A for further details)	
	Std	Hg
156011	1418	1539
156611	1527	1601
157211	1556	1637
156015	1500	1614
156615	1582	1681
157215	1613	1722

Storage Units

Desk Hutches

SFSB



Manufacturing Standards

- Delivered disassembled;
- Open hutch with sliding front;
- 20" high chrome-finish metal legs for hutch;
- Vertical wood grain on front.

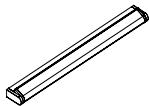
Note: When ordering a divider screen that is between two metal legs, the total length is 6" shorter than the length of the hutch because of the width of the legs. The screen lengths in the adjacent 'Options' price tables have already been adjusted to fit the hutches offered on this page.

Hutches are recessed 1/4" from surfaces they are installed on.

See [Appendix A](#) for the metal finishes available (no extra charge).

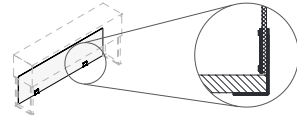
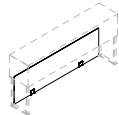
Options

Task Light



SS

Divider Screens



Under surface mount

UMHS - laminate - 5/8"		UBHS - tackboards - 7/8"												Leather		
A	B	GRA	GR1	COM GR2	GR3	GR4	GR5	GR6	GR7	GR8	GR9	GR10	GR11	GR12		
2060	\$445	2060	\$541	\$574	\$618	\$662	\$717	\$772	\$827	\$882	\$937	\$992	\$1047	\$1157	\$1267	\$1175
2066	\$453	2066	\$551	\$592	\$647	\$702	\$771	\$840	\$908	\$977	\$1046	\$1115	\$1183	\$1321	\$1458	\$1344
2072	\$460	2072	\$568	\$609	\$664	\$719	\$788	\$857	\$925	\$994	\$1063	\$1132	\$1200	\$1338	\$1475	\$1361

How to Order

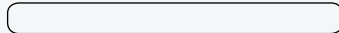
LV	A B C	SFSB	WH BL SN CHR (std)	UAHS UMHS UBHS	T524 T536 T548 DEL20
series	dimensions	product	metal finish (Appx. A)	division (Appx. I)	task light (p. 162)

Example LV 156015 SFSB CHR UAHS

Prices

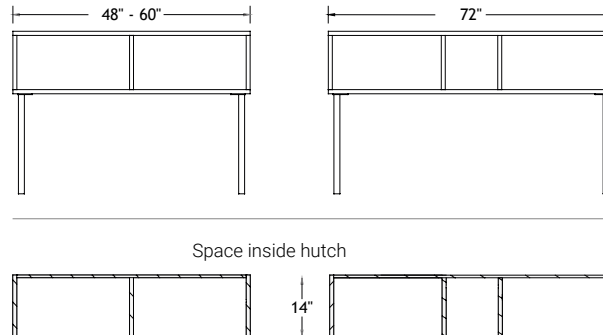
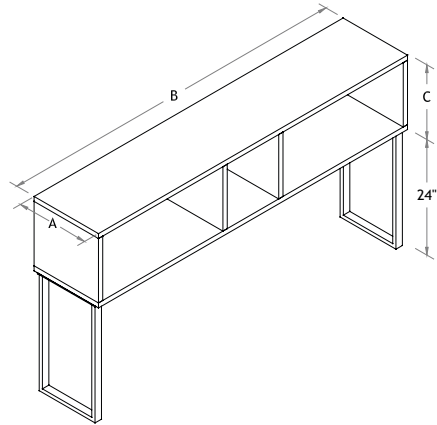
Dimensions A B C	Front finish (see Appendix A for further details)	
	Std	Hg
156011	1277	1317
156611	1306	1349
157211	1332	1383
156015	1313	1366
156615	1342	1404
157215	1374	1442

Storage Units



Storage Hutches

HOSH



Manufacturing Standards

- Delivered disassembled;
- Open hutch;
- 24" high chrome-finish metal legs for hutch.

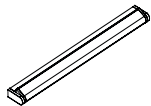
Note: When ordering a divider screen that is between two metal legs, the total length is 6" shorter than the length of the hutch because of the width of the legs. The screen lengths in the adjacent 'Options' price tables have already been adjusted to fit the hutches offered on this page.

Hutches are recessed 1/4" from surfaces they are installed on.

See [Appendix A](#) for the metal finishes available (no extra charge).

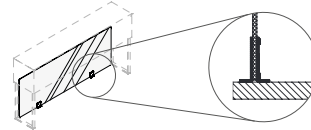
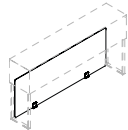
Options

Task Light



\$\$

Divider Screens



Surface mount

SMHP - laminate - 5/8"		SBHP - tackboards - 7/8"										COM				Leather
A	B	GRA	GR1	GR2	GR3	GR4	GR5	GR6	GR7	GR8	GR9	GR10	GR11	GR12		
2448	\$450	2448	\$539	\$572	\$616	\$660	\$715	\$770	\$825	\$880	\$935	\$990	\$1045	\$1155	\$1265	\$1173
2460	\$467	2460	\$573	\$614	\$669	\$724	\$793	\$862	\$930	\$999	\$1068	\$1137	\$1205	\$1343	\$1480	\$1366
2472	\$484	2472	\$619	\$660	\$715	\$770	\$839	\$908	\$976	\$1045	\$1114	\$1183	\$1251	\$1389	\$1526	\$1412

How to Order

LV	A B C	HOSH	WH BL SN CHR (std)	SAHP SMHP SBHP	T524 T536 T548 DEL20
series	dimensions	product	metal finish (Appx. A)	division (Appx. I)	task light (p. 162)
Example	LV 156015	HOSH	CHR	SAHP	

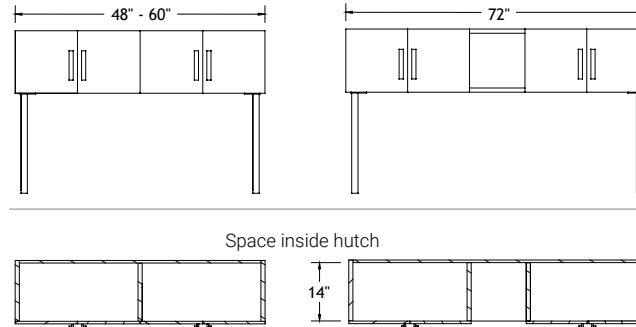
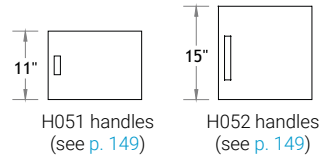
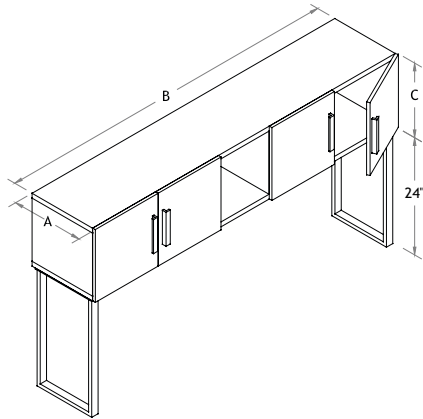
Prices

Dimensions	
A	B C
154811	1208
156011	1279
157211	1377
154815	1226
156015	1297
157215	1411

Storage Units

Storage Hutches

ARSH



Manufacturing Standards

- Delivered disassembled;
- 4 soft close doors;
- Chrome-finish H051 metal handles on 11" high hutch doors and H052 on 15" high hutch doors;
- 24" high chrome-finish metal legs for hutch;
- Vertical wood grain.

Note: When ordering a divider screen that is between two metal legs, the total length is 6" shorter than the length of the hutch because of the width of the legs. The screen lengths in the adjacent 'Options' price tables have already been adjusted to fit the hutches offered on this page.

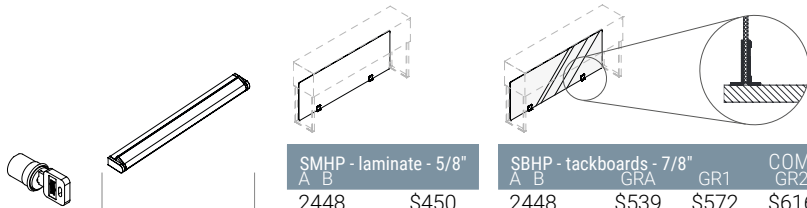
Hutches are recessed 1/4" from surfaces they are installed on.

Specify if different handle desired (no extra charge, see p. 149).

See Appendix A for the metal finishes available (no extra charge).

Options

Lock Task Light Divider Screens



Surface mount

\$43 ea.

\$\$

SMHP - laminate - 5/8"		SBHP - tackboards - 7/8"						COM										Leather
A	B	GRA	GR1	GR2	GR3	GR4	GR5	GR6	GR7	GR8	GR9	GR10	GR11	GR12				
2448	\$450	2448	\$539	\$572	\$616	\$660	\$715	\$770	\$825	\$880	\$935	\$990	\$1045	\$1155	\$1265	\$1173		
2460	\$467	2460	\$573	\$614	\$669	\$724	\$793	\$862	\$930	\$999	\$1068	\$1137	\$1205	\$1343	\$1480	\$1366		
2472	\$484	2472	\$619	\$660	\$715	\$770	\$839	\$908	\$976	\$1045	\$1114	\$1183	\$1251	\$1389	\$1526	\$1412		

How to Order

LV	ABC	ARSH	WH BL SN CHR (std)	SAHP SMHP SBHP	H052 (std)	LKBL LKSN	T524 T536 T548 DEL20
series	dimensions	product	metal finish (Appx. A)	division (Appx. I)	handle (p. 149)	lock (p. 154)	task light (p. 162)

Example LV 156015 ARSH CHR SAHP H052 LKSN

Prices

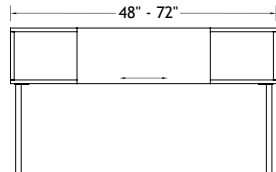
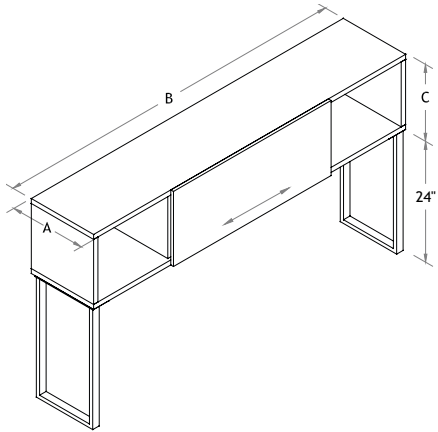
Dimensions A B C	Front finish (see Appendix A for further details)	
	Std	Hg
154811	1494	1561
156011	1579	1661
157211	1677	1756
154815	1531	1621
156015	1619	1734
157215	1734	1844

Storage Units



Storage Hutches

SFSH



Manufacturing Standards

- Delivered disassembled;
- Hutch open on each side with sliding front;
- 24" high chrome-finish metal legs for hutch;
- Vertical wood grain on front.

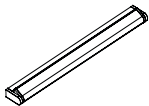
Note: When ordering a divider screen that is between two metal legs, the total length is 6" shorter than the length of the hutch because of the width of the legs. The screen lengths in the adjacent 'Options' price tables have already been adjusted to fit the hutches offered on this page.

Hutches are recessed 1/4" from surfaces they are installed on.

See [Appendix A](#) for the metal finishes available (no extra charge).

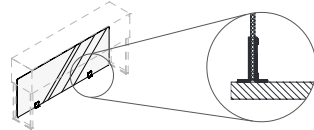
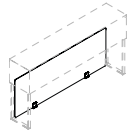
Options

Task Light



\$\$

Divider Screens



Surface mount

SMHP - laminate - 5/8"		SBHP - tackboards - 7/8"										COM		Leather		
A	B	GRA	GR1	GR2	GR3	GR4	GR5	GR6	GR7	GR8	GR9	GR10	GR11	GR12		
2448	\$450	2448	\$539	\$572	\$616	\$660	\$715	\$770	\$825	\$880	\$935	\$990	\$1045	\$1155	\$1265	\$1173
2460	\$467	2460	\$573	\$614	\$669	\$724	\$793	\$862	\$930	\$999	\$1068	\$1137	\$1205	\$1343	\$1480	\$1366
2472	\$484	2472	\$619	\$660	\$715	\$770	\$839	\$908	\$976	\$1045	\$1114	\$1183	\$1251	\$1389	\$1526	\$1412

How to Order

LV	A B C	SFSH	WH BL SN CHR (std)	SAHP SMHP SBHP	T524 T536 T548 DEL20
series	dimensions	product	metal finish (Appx. A)	division (Appx. I)	task light (p. 162)

Example LV 156015 SFSH CHR SAHP

Prices

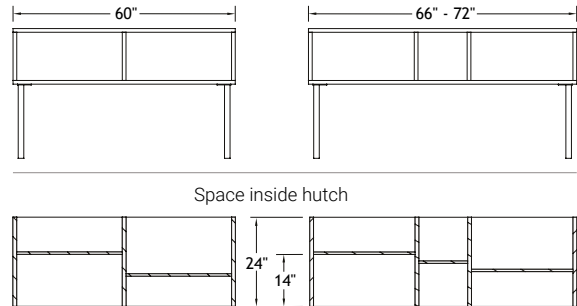
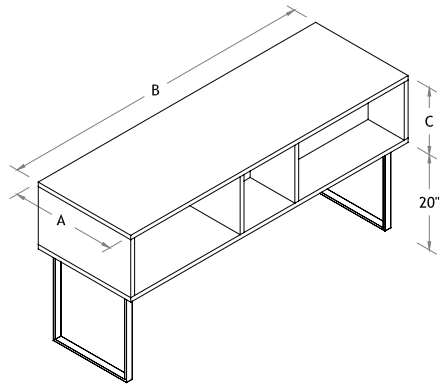
Dimensions A B C	Front finish (see Appendix A for further details)	
	Std	Hq
154811	1314	1346
156011	1397	1439
157211	1453	1503
154815	1342	1371
156015	1433	1487
157215	1495	1563

Storage Units



Shared Desk Hutches

HODB



Manufacturing Standards

- Delivered disassembled;
- Hutch open on each side;
- 20" high chrome-finish metal legs for hutch.

Note: When ordering a divider screen that is between two metal legs, the total length is 6" shorter than the length of the hutch because of the width of the legs. The screen lengths in the adjacent 'Options' price tables have already been adjusted to fit the hutches offered on this page.

See [Appendix A](#) for the metal finishes available (no extra charge).

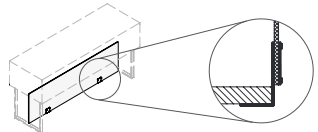
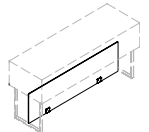
Options

Task Light (2 units)



\$\$

Divider Screens



Under surface mount

UMHS - laminate - 5/8"		UBHS - tackboards - 7/8"					COM										Leather
A	B	GRA	GR1	GR2	GR3	GR4	GR5	GR6	GR7	GR8	GR9	GR10	GR11	GR12			
2060	\$445	2060	\$541	\$574	\$618	\$662	\$717	\$772	\$827	\$882	\$937	\$992	\$1047	\$1157	\$1267	\$1175	
2066	\$453	2066	\$551	\$592	\$647	\$702	\$771	\$840	\$908	\$977	\$1046	\$1115	\$1183	\$1321	\$1458	\$1344	
2072	\$460	2072	\$568	\$609	\$664	\$719	\$788	\$857	\$925	\$994	\$1063	\$1132	\$1200	\$1338	\$1475	\$1361	

How to Order

LV	A B C	HODB	WH BL SN CHR (std)	UAHS UMHS UBHS	T524 T536 T548 DEL20
series	dimensions	product	metal finish (Appx. A)	division (Appx. I)	2 task lights (p. 162)
Example LV	246011	HODB	CHR	UAHS	

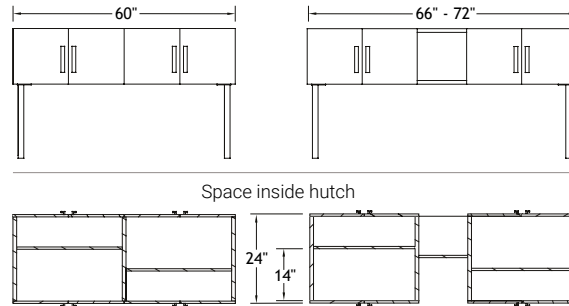
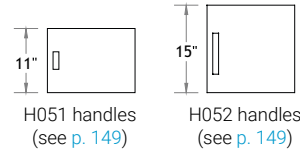
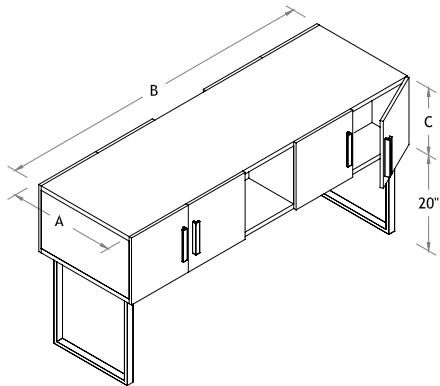
Prices

Dimensions	
A B C	
246011	1364
246611	1442
247211	1461
246015	1382
246615	1476
247215	1496

Storage Units

Shared Desk Hutches

ARDB



Manufacturing Standards

- Delivered disassembled;
- Cabinets on each side with 4 soft close doors;
- Chrome-finish H051 metal handles on 11" high hutch doors and H052 on 15" high hutch doors;
- 20" high chrome-finish metal legs for hutch;
- Vertical wood grain on front.

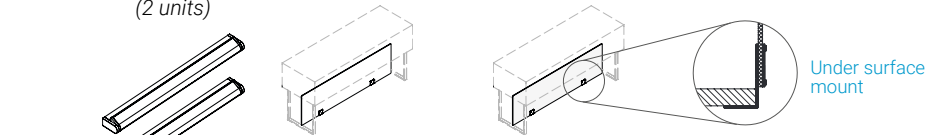
Note: When ordering a divider screen that is between two metal legs, the total length is 6" shorter than the length of the hutch because of the width of the legs. The screen lengths in the adjacent 'Options' price tables have already been adjusted to fit the hutches offered on this page.

Specify if different handle desired (no extra charge, see p. 149).

See Appendix A for the metal finishes available (no extra charge).

Options

Lock Task Light (2 units) Divider Screens



\$43 ea.

\$\$

UMHS - laminate - 5/8"		UBHS - tackboards - 7/8"					COM										Leather
A	B	GRA	GR1	GR2	GR3	GR4	GR5	GR6	GR7	GR8	GR9	GR10	GR11	GR12			
2060	\$445	2060	\$541	\$574	\$618	\$662	\$717	\$772	\$827	\$882	\$937	\$992	\$1047	\$1157	\$1267	\$1175	
2066	\$453	2066	\$551	\$592	\$647	\$702	\$771	\$840	\$908	\$977	\$1046	\$1115	\$1183	\$1321	\$1458	\$1344	
2072	\$460	2072	\$568	\$609	\$664	\$719	\$788	\$857	\$925	\$994	\$1063	\$1132	\$1200	\$1338	\$1475	\$1361	

How to Order

LV	A B C	ARDB	WH BL SN CHR (std)	UAHS UMHS UBHS	LKBL LKSN	T524 T536 T548 DEL20
series	dimensions	product	metal finish (Appx. A)	division (Appx. I)	lock (p. 154)	2 task lights (p. 162)

Example LV 246011 ARDB CHR UAHS LKSN

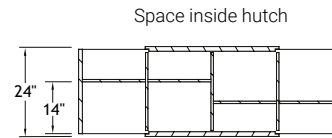
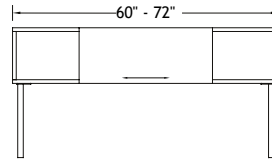
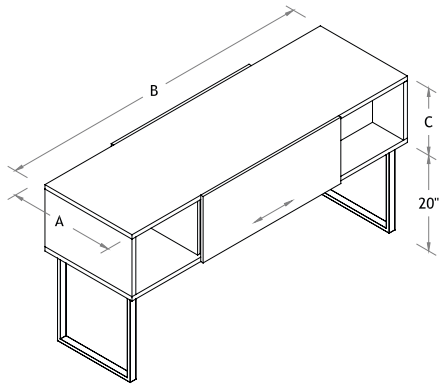
Prices

Dimensions A B C	Front finish (see Appendix A for further details)	
	Std	Hq
246011	2021	2101
246611	2088	2161
247211	2115	2198
246015	2060	2176
246615	2143	2242
247215	2174	2283

Storage Units

Shared Desk Hutches

SFDB



Manufacturing Standards

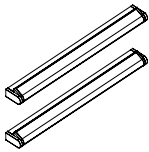
- Delivered disassembled;
- Open hutch on each side with sliding front;
- 20" high chrome-finish metal legs for hutch;
- Vertical wood grain on front.

Note: When ordering a divider screen that is between two metal legs, the total length is 6" shorter than the length of the hutch because of the width of the legs. The screen lengths in the adjacent 'Options' price tables have already been adjusted to fit the hutches offered on this page.

See [Appendix A](#) for the metal finishes available (no extra charge).

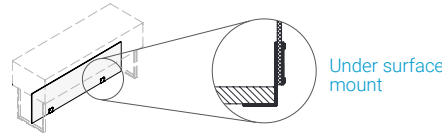
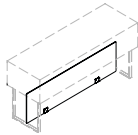
Options

Task Light (2 units)



\$\$

Divider Screens



Under surface mount

UMHS - laminate - 5/8"		UBHS - tackboards - 7/8"				COM											Leather
A	B	GRA	GR1	GR2	GR3	GR4	GR5	GR6	GR7	GR8	GR9	GR10	GR11	GR12			
2060	\$445	2060	\$541	\$574	\$618	\$662	\$717	\$772	\$827	\$882	\$937	\$992	\$1047	\$1157	\$1267	\$1175	
2066	\$453	2066	\$551	\$592	\$647	\$702	\$771	\$840	\$908	\$977	\$1046	\$1115	\$1183	\$1321	\$1458	\$1344	
2072	\$460	2072	\$568	\$609	\$664	\$719	\$788	\$857	\$925	\$994	\$1063	\$1132	\$1200	\$1338	\$1475	\$1361	

How to Order

LV	A B C	SFDB	WH BL SN CHR (std)	UAHS UMHS UBHS	T524 T536 T548 DEL20
series	dimensions	product	metal finish (Appx. A)	division (Appx. I)	2 task lights (p. 162)

Example LV 246011 SFDB CHR UAHS

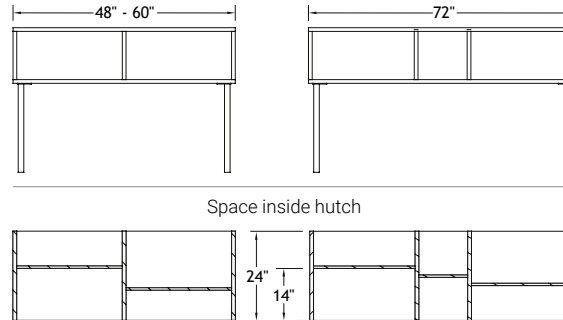
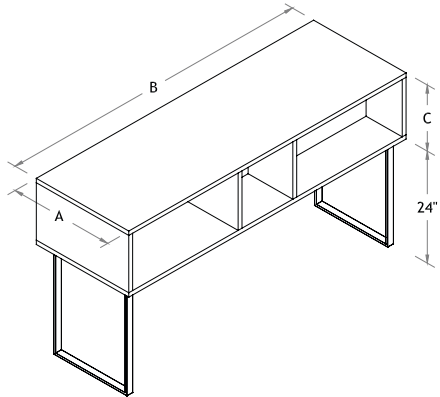
Prices

Dimensions A B C	Front finish (see Appendix A for further details)	
	Std	Hg
246011	1849	1888
246611	1876	1920
247211	1905	1954
246015	1899	1954
246615	1932	1993
247215	1962	2030

Storage Units

Shared Storage Hutches

HODH



Manufacturing Standards

- Delivered disassembled;
- Hutch open on each side;
- 24" high chrome-finish metal legs for hutch.

Note: When ordering a divider screen that is between two metal legs, the total length is 6" shorter than the length of the hutch because of the width of the legs. The screen lengths in the adjacent 'Options' price tables have already been adjusted to fit the hutches offered on this page.

See [Appendix A](#) for the metal finishes available (no extra charge).

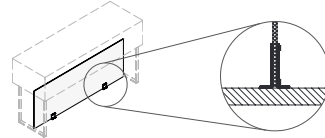
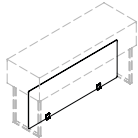
Options

Task Light (2 units)



\$\$

Divider Screens



Surface mount

SMHP - laminate - 5/8"		SBHP - tackboards - 7/8"					COM										Leather
A	B	GRA	GR1	GR2	GR3	GR4	GR5	GR6	GR7	GR8	GR9	GR10	GR11	GR12			
2448	\$450	2448	\$539	\$572	\$616	\$660	\$715	\$770	\$825	\$880	\$935	\$990	\$1045	\$1155	\$1265	\$1173	
2460	\$467	2460	\$573	\$614	\$669	\$724	\$793	\$862	\$930	\$999	\$1068	\$1137	\$1205	\$1343	\$1480	\$1366	
2472	\$484	2472	\$619	\$660	\$715	\$770	\$839	\$908	\$976	\$1045	\$1114	\$1183	\$1251	\$1389	\$1526	\$1412	

How to Order

LV	ABC	HODH	WH BL SN CHR (std)	SAHP SMHP SBHP	T524 T536 T548 DEL20
series	dimensions	product	metal finish (Appx. A)	division (Appx. I)	2 task lights (p. 162)
Example	LV 244815	HODH	CHR	SAHP	

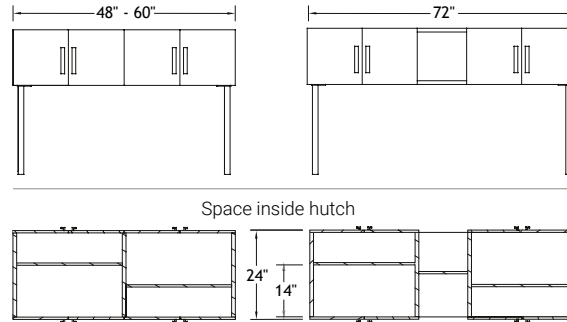
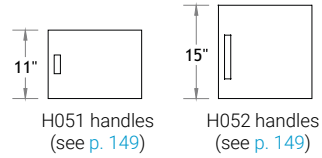
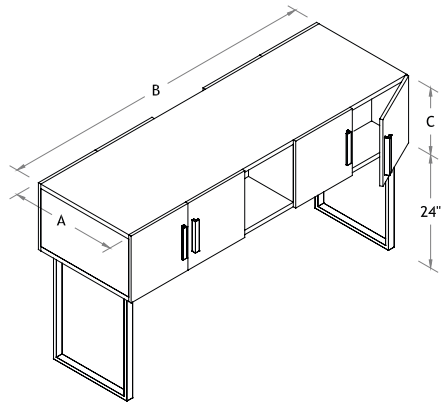
Prices

Dimensions	
A	B C
244811	1413
246011	1483
247211	1581
244815	1432
246015	1502
247215	1616

Storage Units

Shared Storage Hutches

ARDH



Manufacturing Standards

- Delivered disassembled;
- Cabinets on each side with 4 soft close doors;
- Chrome-finish H051 metal handles on 11" high hutch doors and H052 on 15" high hutch doors;
- 24" high chrome-finish metal legs for hutch;
- Vertical wood grain.

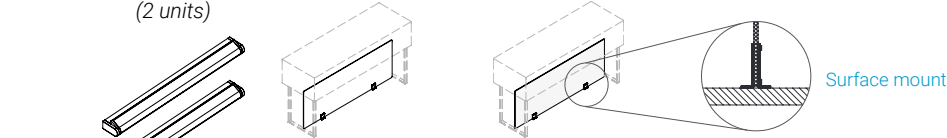
Note: When ordering a divider screen that is between two metal legs, the total length is 6" shorter than the length of the hutch because of the width of the legs. The screen lengths in the adjacent 'Options' price tables have already been adjusted to fit the hutches offered on this page.

Specify if different handle desired (no extra charge, see p. 149).

See Appendix A for the metal finishes available (no extra charge).

Options

Lock Task Light (2 units) Divider Screens



A	B	SMHP - laminate - 5/8"													Leather	
		GR1	GR2	GR3	GR4	GR5	GR6	GR7	GR8	GR9	GR10	GR11	GR12			
2448	\$450	2448	\$539	\$572	\$616	\$660	\$715	\$770	\$825	\$880	\$935	\$990	\$1045	\$1155	\$1265	\$1173
2460	\$467	2460	\$573	\$614	\$669	\$724	\$793	\$862	\$930	\$999	\$1068	\$1137	\$1205	\$1343	\$1480	\$1366
2472	\$484	2472	\$619	\$660	\$715	\$770	\$839	\$908	\$976	\$1045	\$1114	\$1183	\$1251	\$1389	\$1526	\$1412

\$43 ea. \$\$

How to Order

LV	A B C	ARDH	WH BL SN CHR (std)	SAHP SMHP SBHP	H052 (std)	LKBL LKSN	T524 T536 T548 DEL20
series	dimensions	product	metal finish (Appx. A)	division (Appx. I)	handle (p. 149)	lock (p. 154)	2 task lights (p. 162)

Example LV 244815 ARDH CHR SAHP H052 LKSN

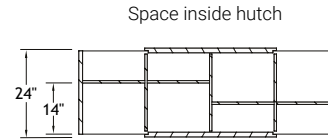
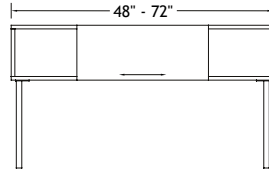
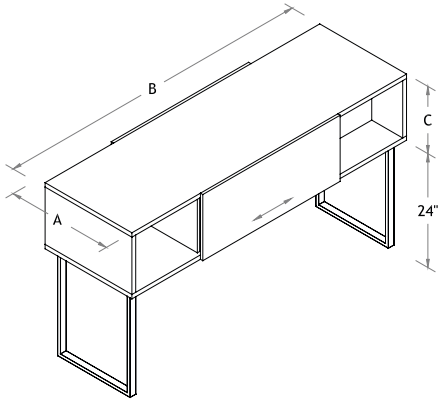
Prices

A	B	C	Front finish (see Appendix A for further details)	
			Std	Hg
244811	2053	2122		
246011	2140	2223		
247211	2237	2317		
244815	2093	2183		
246015	2182	2295		
247215	2295	2403		

Storage Units

Shared Storage Hutches

SFDH



Manufacturing Standards

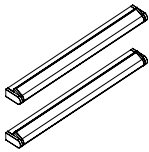
- Delivered disassembled;
- Open hutch on each side with sliding front;
- 24" high chrome-finish metal legs for hutch;
- Vertical wood grain on front.

Note: When ordering a divider screen that is between two metal legs, the total length is 6" shorter than the length of the hutch because of the width of the legs. The screen lengths in the adjacent 'Options' price tables have already been adjusted to fit the hutches offered on this page.

See [Appendix A](#) for the metal finishes available (no extra charge).

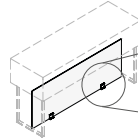
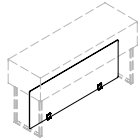
Options

Task Light (2 units)



\$\$

Divider Screens



Surface mount

SMHP - laminate - 5/8"		SBHP - tackboards - 7/8"			COM												Leather
A	B	GRA	GR1	GR2	GR3	GR4	GR5	GR6	GR7	GR8	GR9	GR10	GR11	GR12			
2448	\$450	2448	\$539	\$572	\$616	\$660	\$715	\$770	\$825	\$880	\$935	\$990	\$1045	\$1155	\$1265	\$1173	
2460	\$467	2460	\$573	\$614	\$669	\$724	\$793	\$862	\$930	\$999	\$1068	\$1137	\$1205	\$1343	\$1480	\$1366	
2472	\$484	2472	\$619	\$660	\$715	\$770	\$839	\$908	\$976	\$1045	\$1114	\$1183	\$1251	\$1389	\$1526	\$1412	

How to Order

LV	A B C	SFDH	WH BL SN CHR (std)	SAHP SMHP SBHP	T524 T536 T548 DEL20
series	dimensions	product	metal finish (Appx. A)	division (Appx. I)	2 task lights (p. 162)

Example LV 244815 SFDH CHR SAHP

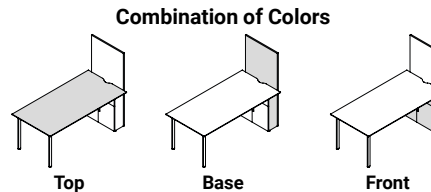
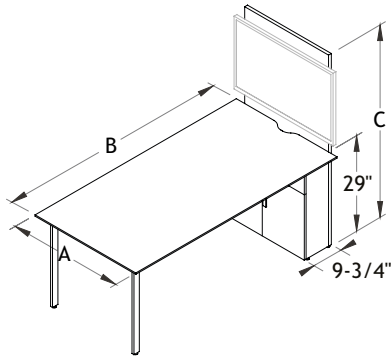
Prices

Dimensions A B C	Front finish (see Appendix A for further details)	
	Std	Hg
244811	1886	1916
246011	1968	2009
247211	2025	2076
244815	1932	1960
246015	2021	2077
247215	2082	2154

Collaborative Furniture

Collaborative and Multimedia Tables

MP



Manufacturing Standards

- Delivered disassembled;
- Rectangular top with knife edge;
- 2 chrome-finish metal legs, 29" H;
- Surface cutout for wire management;
- Storage cabinet with 2 soft close doors under the top with 1 adjustable shelf and chrome finish H052 handles;
- Built-in 1" laminate vertical panel to mount a screen;
- Grommet hole in the base of the unit to manage screen cables;
- Vertical wood grain on front.

The Oasis connectivity unit is only available for 73" tables.

Dimension "B" includes the 1" vertical panel.

Screen and screen mounting hardware not included. Maximum recommended screen size 60".

Handle: For a handle other than H052 standard, please choose from the Logiflex list at no extra charge, see p. 149).

Options

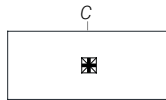
Lock



\$43 ea.



\$397 \$397 \$397



Connectivity

\$714 \$1 126 \$923



\$2 596 \$3 005 \$2 804



Wireless charger



\$617

Prices

Dimensions

A B C

305559 1401

306159 1442

306759 1482

307359 1524

365559 1505

366159 1556

366759 1602

367359 1651

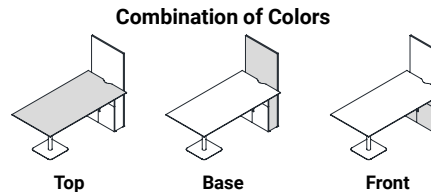
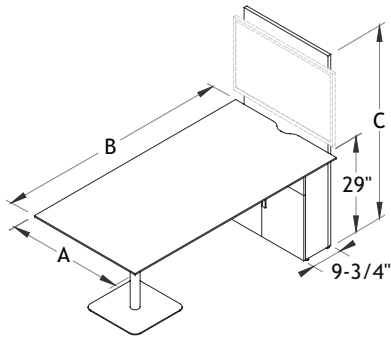
How to Order

LV	A B C	MP	WH BL SN CHR (std)	INT A/B/C OAS A/B/C MH3 B/C/D	QIBL	LKBL LKSN	
series	dimensions	product	metal finish (Appx. A)	connectivity	Qi (Appx. B)	lock (p. 154)	handle (p. 149)
Example	LV 366159	MP	CHR	MH3B	QIBL	LKSN	

Collaborative Furniture

Collaborative and Multimedia Tables

MT



Manufacturing Standards

- Delivered disassembled;
- Rectangular top with knife edge and square satin nickel finish Lennox metal base, 29" H;
- Surface cutout for wire management;
- Storage cabinet with 2 soft close doors under the top with 1 adjustable shelf and satin nickel finish H052 handles;
- Built-in 1" laminate vertical panel to mount a screen;
- Grommet hole in the base of the unit to manage screen cables;
- Vertical wood grain on front and on vertical panel.

The Oasis connectivity unit is only available for 73" tables.

Dimension "B" includes the 1" vertical panel.

Screen and screen mounting hardware not included. Maximum recommended screen size 60".

Handle: For a handle other than H052 standard, please choose from the Logiflex list at no extra charge, see p. 149).

Options

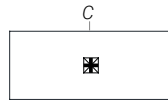
Lock



\$43 ea.



\$397 \$397 \$397



Connectivity

\$714 \$1 126 \$923



\$2 596 \$3 005 \$2 804



Wireless charger



\$617

Prices

Dimensions			SN/BL/WH	CHR
A	B	C		
305559	1693	2493		
306159	1733	2535		
306759	1773	2576		
307359	1814	2617		
365559	1794	2599		
366159	1845	2647		
366759	1894	2695		
367359	1943	2743		

How to Order

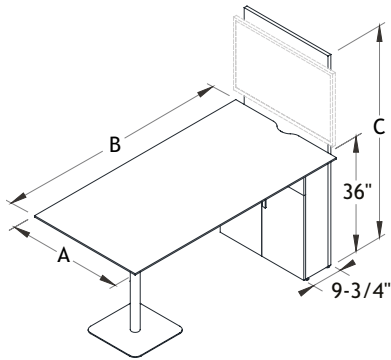
LV	A B C	MT	WH BL CHR SN (std)	INT A/B/C OAS A/B/C MH3 B/C/D	QIBL	LKBL LKSN	
series	dimensions	product	metal finish (Appx. A)	connectivity	Qi (Appx. B)	lock (p. 154)	handle (p. 149)

Example LV 366159 MT SN MH3B QIBL LKSN

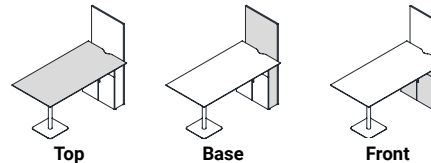
Collaborative Furniture

Collaborative and Multimedia Tables

MB



Combination of Colors



Manufacturing Standards

- Delivered disassembled;
- Rectangular top with knife edge and square satin nickel finish Lennox metal base, 36" H;
- Surface cutout for wire management;
- Storage cabinet with 2 soft close doors under the top with 2 adjustable shelves and satin nickel finish H052 handles;
- Built-in 1" laminate vertical panel to mount a screen;
- Grommet hole in the base of the unit to manage screen cables;
- Vertical wood grain on front and on vertical panel.

The Oasis connectivity unit is only available for 73" tables.

Dimension "B" includes the 1" vertical panel.

Screen and screen mounting hardware not included. Maximum recommended screen size 60".

Handle: For a handle other than H052 standard, please choose from the Logiflex list at no extra charge, see p. 149).

Options

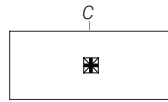
Lock



\$43 ea.



\$397 \$397 \$397



Connectivity

\$714 \$1 126 \$923



\$2 596 \$3 005 \$2 804



Wireless charger



\$617

Prices

Dimensions			SN/BL/WH	CHR
A	B	C		
305566	1724	2571		
306166	1766	2611		
306766	1807	2652		
307366	1848	2694		
365566	1830	2681		
366166	1878	2729		
366766	1930	2777		
367366	1978	2825		

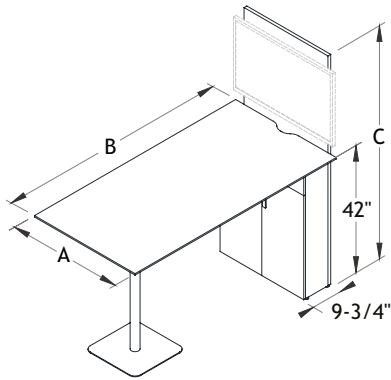
How to Order

LV	A B C	MB	WH BL CHR SN (std)	INT A/B/C OAS A/B/C MH3 B/C/D	QIBL	LKBL LKSN	
series	dimensions	product	metal finish (Appx. A)	connectivity	Qi (Appx. B)	lock (p. 154)	handle (p. 149)
Example LV	367366	MB	SN	MH3B	QIBL	LKSN	

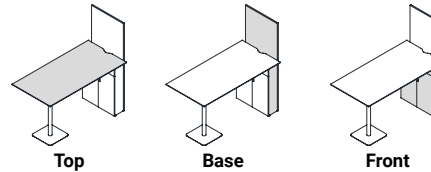
Collaborative Furniture

Collaborative and Multimedia Tables

MG



Combination of Colors



Manufacturing Standards

- Delivered disassembled;
- Rectangular top with knife edge and square satin nickel finish Lennox metal base, 42" H;
- Surface cutout for wire management;
- Storage cabinet with 2 soft close doors under the top with 2 adjustable shelves and satin nickel finish H052 handles;
- Built-in 1" laminate vertical panel to mount a screen;
- Grommet hole in the base of the unit to manage screen cables;
- Vertical wood grain on front and on vertical panel.

The Oasis connectivity unit is only available for 73" tables.

Dimension "B" includes the 1" vertical panel.

Screen and screen mounting hardware not included. Maximum recommended screen size 60".

Handle: For a handle other than H052 standard, please choose from the Logiflex list at no extra charge, see p. 149).

Options

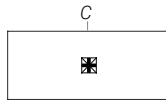
Lock



\$43 ea.



\$397 \$397 \$397



Connectivity

\$714 \$1 126 \$923



\$2 596 \$3 005 \$2 804



Wireless charger



\$617

Prices

Dimensions			SN/BL/WH	CHR
A	B	C		
305572	1750	2631		
306172	1791	2672		
306772	1832	2712		
307372	1874	2754		
365572	1861	2739		
366172	1910	2791		
366772	1959	2840		
367372	2008	2889		

How to Order

LV	A B C	MG	WH BL CHR SN (std)	INT A/B/C OAS A/B/C MH3 B/C/D	QIBL	LKBL LKSN	
series	dimensions	product	metal finish (Appx. A)	connectivity	Qi (Appx. B)	lock (p. 154)	handle (p. 149)

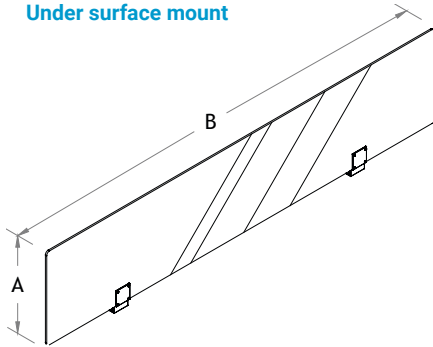
Example LV 307372 MG SN MH3B QIBL LKSN

Divider Screens

Acrylic

UAS

Under surface mount

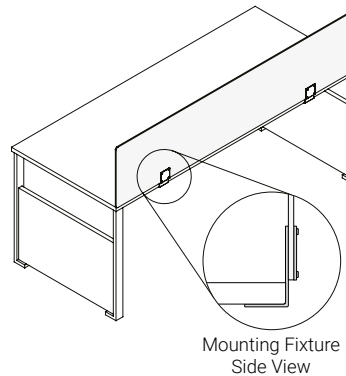


Manufacturing Standards

- Acrylic divider screen, frosted finish (PL), to be installed above a surface;
- 2 chrome-finish metal mounts for mounting under a surface.

C1: Acrylic 1/4"

Dimension "B" is 1/2" recessed.



Prices

Dimensions		C1
A	B	
1524		343
1530		364
1536		384
1542		404
1548		426
1554		446
1556		459
1560		467
1564		481
1566		488
1568		499
1572		510

How to Order

LV	A B	UAS	C1	WH BL SN CHR (std)	PL (std)
series	dimensions	product	acrylic thickness	metal finish (Appx. A)	acrylic finish (Appx. A)

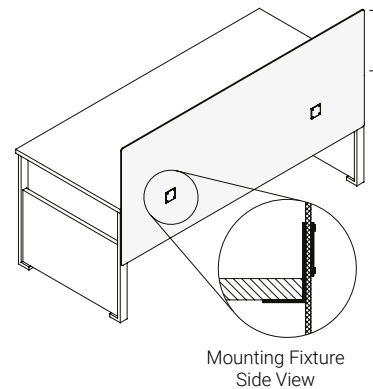
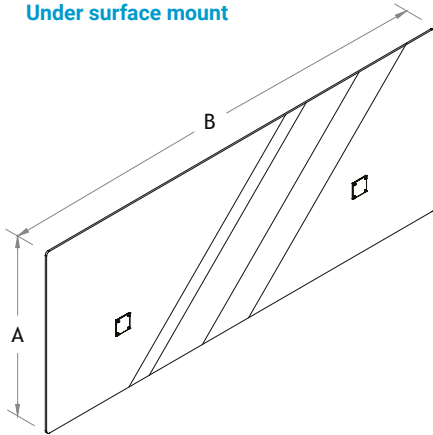
Example LV 1572 UAS C1 CHR PL

Divider Screens

Acrylic

UAC

Under surface mount



Manufacturing Standards

- Acrylic divider screen, frosted finish (PL), to position in front of the surface;
- 2 chrome-finish metal mounts for mounting under a surface.

*Screen height above surface: 24"H = 13" / 26"H = 15"

C1: Acrylic 1/4"

Dimension "B" is 1/2" recessed.

Prices

Dimensions	
A B	C1
2424	392
2430	426
2436	460
2442	491
2448	526
2454	560
2456	575
2460	592
2464	610
2466	626
2468	644
2472	658
2624	403
2630	441
2636	477
2642	511
2648	549
2654	583
2656	604
2660	621
2664	638
2666	656
2668	677
2672	693

How to Order

LV	A B	UAC	C1	WH BL SN CHR (std)	PL (std)
series	dimensions	product	acrylic thickness	metal finish (Appx. A)	acrylic finish (Appx. A)

Example

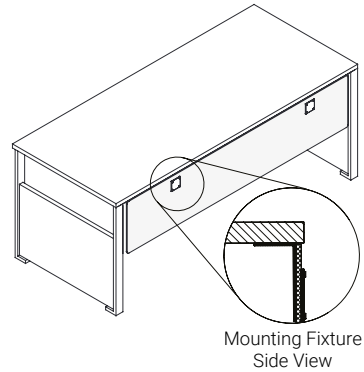
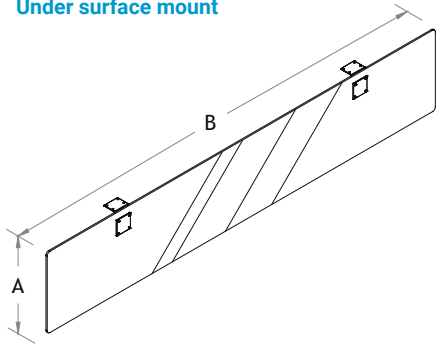
LV	2672	UAC	C1	CHR	PL
----	------	-----	----	-----	----

Divider Screens

Acrylic

UAM

Under surface mount



Manufacturing Standards

- Acrylic divider screen, frosted finish (PL), to be installed under a surface;
- 2 chrome-finish metal mounts for mounting under a surface.

C1: Acrylic 1/4"

Note: When ordering a divider screen that serves as a modesty, you must order a screen whose length is 6" shorter than the desk because of the width of the legs, ex. for a 66" desk order a 60" screen.

Prices

Dimensions		C1
A	B	
1024		315
1030		329
1036		343
1042		357
1048		372
1054		384
1056		391
1060		398
1064		404
1066		412
1068		418
1072		426

How to Order

LV	A B	UAM	C1	WH BL SN CHR (std)	PL (std)
series	dimensions	product	acrylic thickness	metal finish (Appx. A)	acrylic finish (Appx. A)

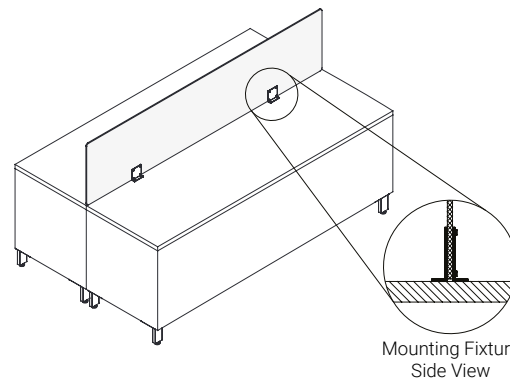
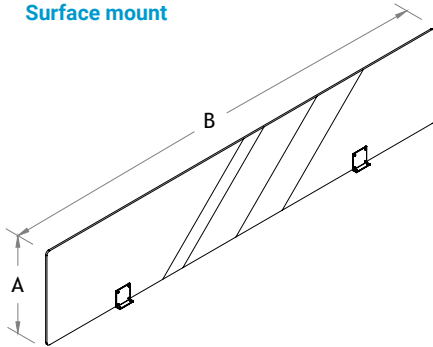
Example LV 1072 UAM C1 CHR PL

Divider Screens

Acrylic

SAS

Surface mount



Manufacturing Standards

- Acrylic divider screen, frosted finish (PL), to be installed above a surface;
- 2 chrome-finish metal mounts for mounting on a surface.

C1: Acrylic 1/4"

Dimension "B" is 1/2" recessed.

Prices

Dimensions		C1
A	B	
1524		353
1530		374
1536		394
1542		415
1548		436
1554		457
1556		467
1560		479
1564		488
1566		498
1568		509
1572		520

How to Order

LV	A B	SAS	C1	WH BL SN CHR (std)	PL (std)
series	dimensions	product	acrylic thickness	metal finish (Appx. A)	acrylic finish (Appx. A)

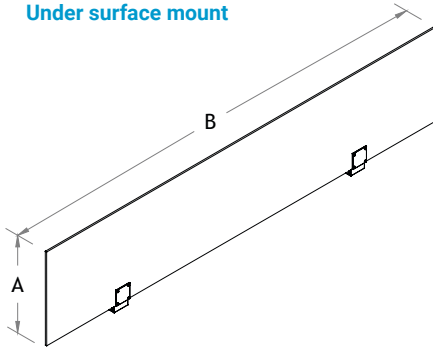
Example LV 1572 SAS C1 CHR PL

Divider Screens

Laminate

UMS

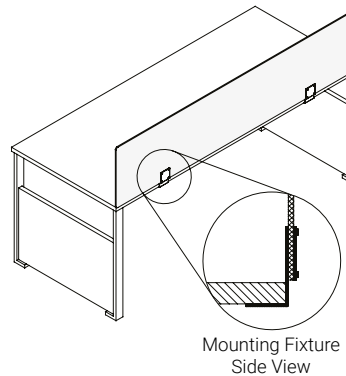
Under surface mount



Manufacturing Standards

- 5/8" laminate divider screen to be installed above a surface;
- 2 chrome-finish metal mounts for mounting under a surface.

Dimension "B" is 1/2" recessed.



Prices

Dimensions	
A	B
1524	405
1530	410
1536	416
1542	422
1548	427
1554	433
1556	436
1560	439
1564	441
1566	443
1568	445
1572	447
2124	414
2130	420
2136	428
2142	436
2148	442
2154	447
2156	453
2160	456
2164	460
2166	463
2168	466
2172	468

How to Order

LV	A B	UMS	WH BL SN CHR (std)
series	dimensions	product	metal finish (Appx. A)

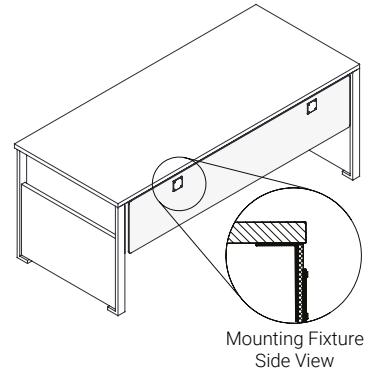
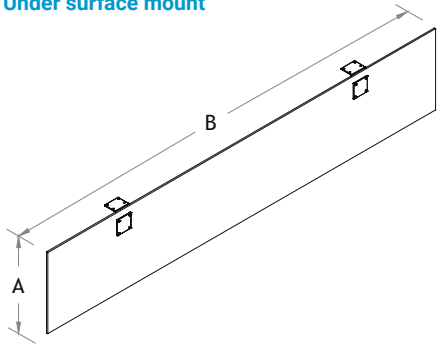
Example LV 1572 UMS CHR

Divider Screens

Laminate

UMM

Under surface mount



Manufacturing Standards

- 5/8" laminate divider screen to be installed under a surface;
- 2 chrome-finish metal mounts for mounting under a surface.

Dimension "B" is 1/2" recessed.

Note: When ordering a divider screen that serves as a modesty, you must order a screen whose length is 6" shorter than the desk because of the width of the legs, ex. for a 66" desk order a 60" screen.

Prices

Dimensions	
A	B
1024	400
1030	403
1036	406
1042	410
1048	415
1054	418
1056	422
1060	423
1064	425
1066	427
1068	431
1072	432

How to Order

LV	A B	UMM	WH BL SN CHR (std)
series	dimensions	product	metal finish (Appx. A)

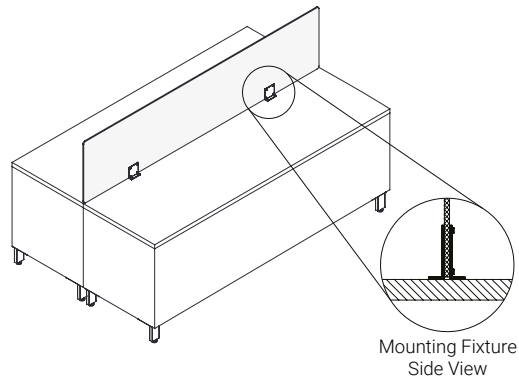
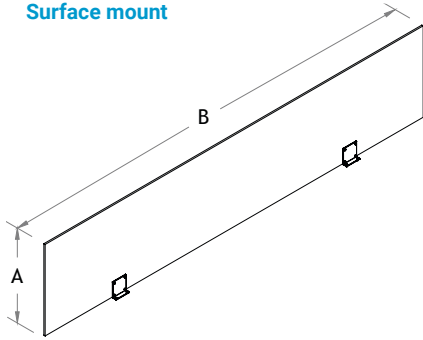
Example LV 1072 UMM CHR

Divider Screens

Laminate

SMS

Surface mount



Manufacturing Standards

- 5/8" laminate divider screen to be installed above a surface;
- 2 chrome-finish metal mounts for mounting on a surface.

Dimension "B" is 1/2" recessed.

Prices

Dimensions A B	
1524	416
1530	422
1536	427
1542	433
1548	439
1554	443
1556	445
1560	447
1564	450
1566	454
1568	457
1572	460
2124	425
2130	432
2136	439
2142	445
2148	453
2154	460
2156	464
2160	466
2164	469
2166	471
2168	479
2172	482

How to Order

	A B		WH BL SN CHR (std)
LV		SMS	
series	dimensions	product	metal finish (Appx. A)

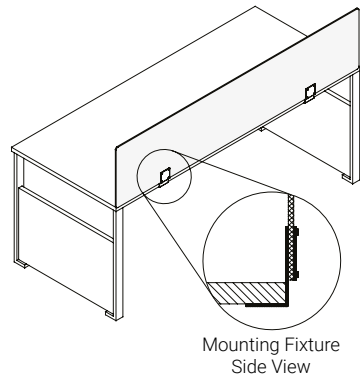
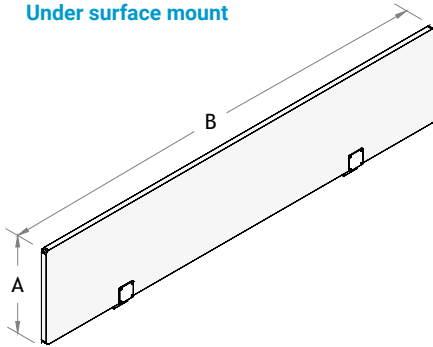
Example LV 1572 SMS CHR

Divider Screens

Tackboards

UBS

Under surface mount



Manufacturing Standards

- 7/8" thick tackboard covered with fabric to be installed above a surface;
- 2 chrome-finish metal mounts for mounting under a surface.

Dimension "B" is 1/2" recessed.

Prices

Dimensions A B	GRA	GR1	COM GR2	GR3	GR4	GR5	GR6	GR7	GR8	GR9	GR10	GR11	GR12	leather cuir
1524	443	460	482	504	532	559	587	614	642	669	697	752	807	761
1530	447	472	505	538	579	621	662	703	744	786	827	909	992	923
1536	461	486	519	552	593	635	676	717	758	800	841	923	1006	937
1542	473	498	531	564	605	647	688	729	770	812	853	935	1018	949
1548	482	515	559	603	658	713	768	823	878	933	988	1098	1208	1116
1554	496	529	573	617	672	727	782	837	892	947	1002	1112	1222	1130
1556	504	537	581	625	680	735	790	845	900	955	1010	1120	1230	1138
1560	509	542	586	630	685	740	795	850	905	960	1015	1125	1235	1143
1564	518	551	595	639	694	749	804	859	914	969	1024	1134	1244	1152
1566	515	556	611	666	735	804	872	941	1010	1079	1147	1285	1422	1308
1568	522	563	618	673	742	811	879	948	1017	1086	1154	1292	1429	1315
1572	531	572	627	682	751	820	888	957	1026	1095	1163	1301	1438	1324

How to Order

	A B		WH BL SN CHR (std)
LV		UBS	
series	dimensions	product	metal finish (Appx. A)

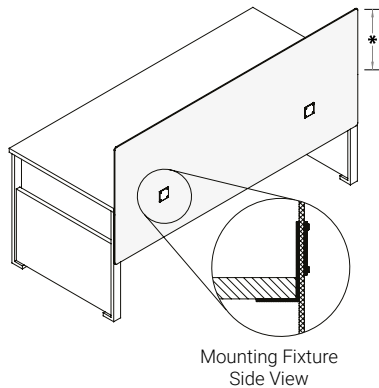
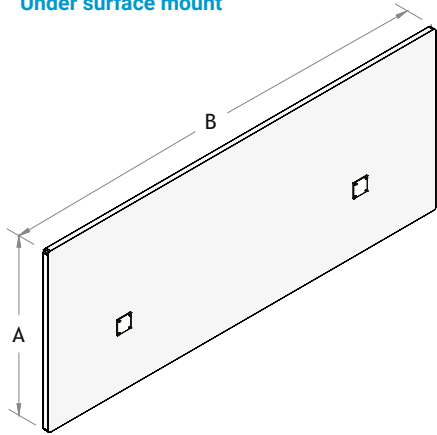
Example LV 1572 UBS CHR

Divider Screens

Tackboards

UBC

Under surface mount



Manufacturing Standards

- 7/8" thick tackboard covered with fabric to position in front of the surface;
- 2 chrome-finish metal mounts for mounting on a surface.

*Screen height above surface: 24"H = 13" / 26"H = 15"

Dimension "B" is 1/2" recessed.

Applicable only on single desks.

Prices

Dimensions A B	GRA	GR1	COM GR2	GR3	GR4	GR5	GR6	GR7	GR8	GR9	GR10	GR11	GR12	leather cuir
2424	477	494	516	538	566	593	621	648	676	703	731	786	841	795
2430	492	517	550	583	624	666	707	748	789	831	872	954	1037	968
2436	514	539	572	605	646	688	729	770	811	853	894	976	1059	990
2442	536	561	594	627	668	710	751	792	833	875	916	998	1081	1012
2448	551	584	628	672	727	782	837	892	947	1002	1057	1167	1277	1185
2454	573	606	650	694	749	804	859	914	969	1024	1079	1189	1299	1207
2456	585	618	662	706	761	816	871	926	981	1036	1091	1201	1311	1219
2460	596	629	673	717	772	827	882	937	992	1047	1102	1212	1322	1230
2464	609	642	686	730	785	840	895	950	1005	1060	1115	1225	1335	1243
2466	612	653	708	763	832	901	969	1038	1107	1176	1244	1382	1519	1405
2468	622	663	718	773	842	911	979	1048	1117	1186	1254	1392	1529	1415
2472	634	675	730	785	854	923	991	1060	1129	1198	1266	1404	1541	1427

2624	487	504	526	548	576	603	631	658	686	713	741	796	851	805
2630	612	637	670	703	744	786	827	868	909	951	992	1074	1157	1088
2636	527	552	585	618	659	701	742	783	824	866	907	989	1072	1003
2642	552	577	610	643	684	726	767	808	849	891	932	1014	1097	1028
2648	568	601	645	689	744	799	854	909	964	1019	1074	1184	1294	1202
2654	592	625	669	713	768	823	878	933	988	1043	1098	1208	1318	1226
2656	605	638	682	726	781	836	891	946	1001	1056	1111	1221	1331	1239
2660	616	649	693	737	792	847	902	957	1012	1067	1122	1232	1342	1250
2664	629	662	706	750	805	860	915	970	1025	1080	1135	1245	1355	1263
2666	633	674	729	784	853	922	990	1059	1128	1197	1265	1403	1540	1426
2668	645	686	741	796	865	934	1002	1071	1140	1209	1277	1415	1552	1438
2672	656	697	752	807	876	945	1013	1082	1151	1220	1288	1426	1563	1449

How to Order

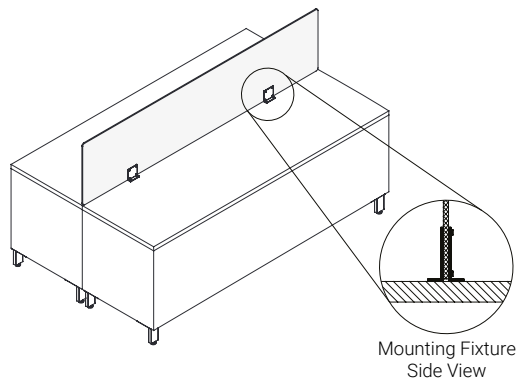
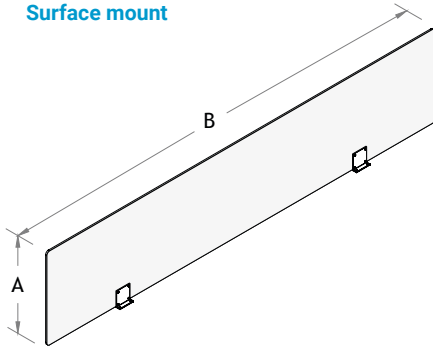
LV	A B	UBC	WH BL SN CHR (std)
series	dimensions	product	metal finish (Appx. A)
Example LV	2624	UBC	CHR

Divider Screens

Tackboards

SBS

Surface mount



Manufacturing Standards

- 7/8" thick tackboard covered with fabric to be installed above a surface;
- 2 chrome-finish metal mounts for mounting on a surface.

Dimension "B" is 1/2" recessed.

Prices

Dimensions A B	GRA	GR1	COM GR2	GR3	GR4	GR5	GR6	GR7	GR8	GR9	GR10	GR11	GR12	leather cuir
1524	450	467	489	511	539	566	594	621	649	676	704	759	814	768
1530	457	482	515	548	589	631	672	713	754	796	837	919	1002	933
1536	470	495	528	561	602	644	685	726	767	809	850	932	1015	946
1542	486	511	544	577	618	660	701	742	783	825	866	948	1031	962
1548	489	522	566	610	665	720	775	830	885	940	995	1105	1215	1123
1554	505	538	582	626	681	736	791	846	901	956	1011	1121	1231	1139
1556	511	544	588	632	687	742	797	852	907	962	1017	1127	1237	1145
1560	520	553	597	641	696	751	806	861	916	971	1026	1136	1246	1154
1564	525	558	602	646	701	756	811	866	921	976	1031	1141	1251	1159
1566	523	564	619	674	743	812	880	949	1018	1087	1155	1293	1430	1316
1568	533	574	629	684	753	822	890	959	1028	1097	1165	1303	1440	1326
1572	540	581	636	691	760	829	897	966	1035	1104	1172	1310	1447	1333

How to Order

LV	A B	SBS	WH BL SN CHR (std)
series	dimensions	product	metal finish (Appx. A)

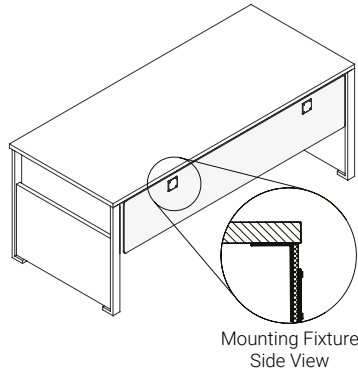
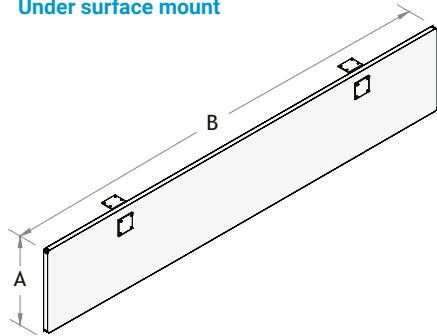
Example LV 1572 SBS CHR

Divider Screens

Tackboards

UBM

Under surface mount



Manufacturing Standards

- 7/8" thick tackboard covered with fabric to be installed under a surface;
- 2 satin nickel finish metal mounts for mounting under a surface.

Dimension "B" is 1/2" recessed.

Note: When ordering a divider screen that serves as a modesty, you must order a screen whose length is 6" shorter than the desk because of the width of the legs, ex: for a 66" desk order a 60" screen.

Prices

Dimensions A B	GRA	GR1	COM GR2	GR3	GR4	GR5	GR6	GR7	GR8	GR9	GR10	GR11	GR12	leather cuir
1024	416	433	455	477	505	532	560	587	615	642	670	725	780	734
1030	422	447	480	513	554	596	637	678	719	761	802	884	967	898
1036	437	462	495	528	569	611	652	693	734	776	817	899	982	913
1042	449	474	507	540	581	623	664	705	746	788	829	911	994	925
1048	457	490	534	578	633	688	743	798	853	908	963	1073	1183	1091
1054	473	506	550	594	649	704	759	814	869	924	979	1089	1199	1107
1056	480	513	557	601	656	711	766	821	876	931	986	1096	1206	1114
1060	484	517	561	605	660	715	770	825	880	935	990	1100	1210	1118
1064	490	523	567	611	666	721	776	831	886	941	996	1106	1216	1124
1066	491	532	587	642	711	780	848	917	986	1055	1123	1261	1398	1284
1068	497	538	593	648	717	786	854	923	992	1061	1129	1267	1404	1290
1072	503	544	599	654	723	792	860	929	998	1067	1135	1273	1410	1296

How to Order

	A B		WH BL SN CHR (std)
LV		UBM	
series	dimensions	product	metal finish (Appx. A)

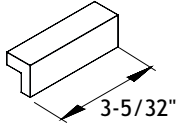
Example LV 1072 UBM CHR

Accessories

Handles

H051

Handle

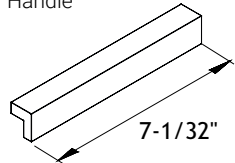


- 3-5/32" metal handle;
- 2-17/32" (64mm) center to center.

Code	\$	Description
H051CHR	14	Chrome
H051SN	14	Satin Nickel
H051BL	14	Black
H051WH	14	White

H052

Handle

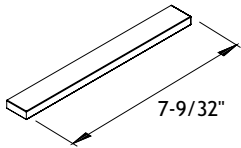


- 7-1/32" metal handle;
- 6-9/32" (160mm) center to center.

Code	\$	Description
H052CHR	14	Chrome
H052SN	14	Satin Nickel
H052BL	14	Black
H052WH	14	White

H071

Handle

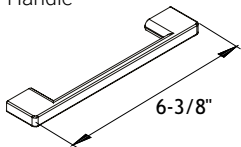


- 7-9/32" metal handle;
- 6-5/16" (160.338mm) center to center.

Code	\$	Description
H071CHR	14	Chrome
H071BN	14	Brushed Nickel
H071BL	14	Black
H071WH	14	White

H072

Handle



- 6-3/8" metal handle;
- 5-1/32" (127.8mm) center to center.

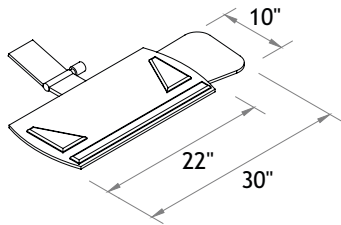
Code	\$	Description
H072CHR	14	Chrome
H072BL	14	Black
H072WH	14	White

Accessories

Keyboard Trays

KB360M

Keyboard Tray

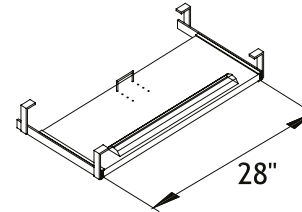


- Black plastic 24-1/2" wide retractable ergonomic keyboard;
- Lift-N-Lock spring system (no lever) to adjust height;
- Handle for easy tilt adjustment from 10° to 15°;
- 10" x 7-1/2" mouse tray;
- 19" black gel wrist rest;
- 360° rotation.

Code	\$	Description
KB360M	580	

KBMODR

Keyboard Tray

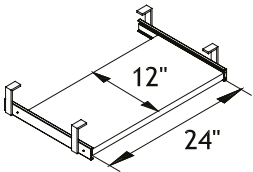


- 28" wide keyboard tray;
- 1" thick laminate;
- Adjustable height from 1-3/4 to 2-3/4" / additional 2" for slides;
- Black gel wrist rest / depth-adjustable stop handles.

Code	\$	Description
KBMODR	298	

KB

Keyboard Tray

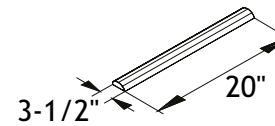


- 24" wide keyboard tray only;
- 5/8" and 1" thick laminate;
- Adjustable height from 1-3/4" to 2-3/4" / additional 2" for slides.

Code	\$	Description
KB	183	1" thick laminate
KBT	173	5/8" thick laminate

AP

Wrist Rest

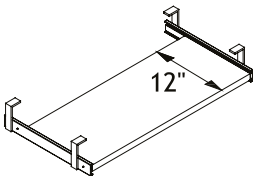


- Black gel wrist rest.

Code	\$	Description
AP	70	

KBMOD

Keyboard Tray



- Keyboard tray, available in lengths from minimum 24" to maximum 30";
- 5/8" and 1" thick laminate;
- Adjustable height from 1-3/4 to 2-3/4" / additional 2" for slides.

Code	\$	Description
KBMOD	217	1" thick laminate
KBMODT	208	5/8" thick laminate

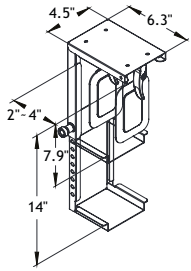
To order, for example a 27" long keyboard tray, 5/8" thick laminate: KBMODT27

Accessories

CPU Holders

MCPU50

Miniature CPU Holder

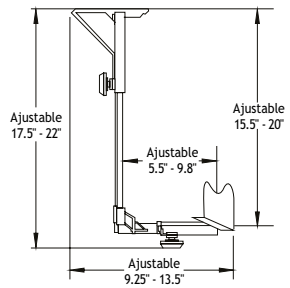


- Height adjustable: 8" - 14";
- Width adjustable: 2" - 4";
- Maximum capacity: 10 kg (22 lbs);
- Need a minimum 5" deep clearance.

Code	\$	Description
MCPU50	170	

MCPU90

CPU Holder

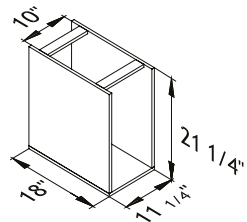


- Black metal CPU holder;
- Easy manipulation;
- Vertical adjustment:
 - Height: 15.5" x 20"
 - Width: 5.5" x 9.8"
- Horizontal adjustment:
 - Height: 17.5" x 22"
 - Width: 9.25" x 13.5"

Code	\$	Description
MCPU90	205	per unit

CPUIND

CPU Holder



- 5/8" thick laminate CPU holder;
- 10" x 20" interior

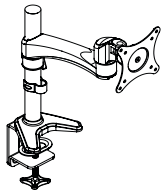
Code	\$	Description
CPUIND	174	per unit

Accessories

Computer Monitor Brackets

C-1A

Computer Monitor Bracket

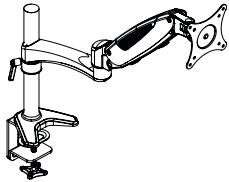


- Computer monitor bracket with fixed arm support;
- Height-adjustable arm;
- Clamp mounted;
- Finish: Black.

Code	\$	Description
C-1A	138	

C-1B

Computer Monitor Bracket

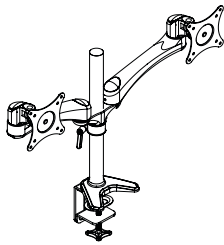


- Computer monitor bracket with flexible arm support;
- Height-adjustable arm;
- Clamp mounted;
- Finish: Black.

Code	\$	Description
C-1B	234	

C-2A

Double Computer Monitor Bracket

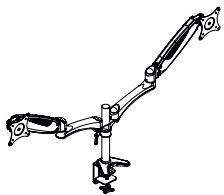


- Double computer monitor bracket with fixed arm support;
- Height-adjustable arms;
- Clamp mounted;
- Finish: Black.

Code	\$	Description
C-2A	233	

C-2B

Double Computer Monitor Bracket

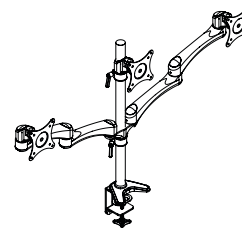


- Double computer monitor bracket with flexible arm support;
- Height-adjustable arms;
- Clamp mounted;
- Finish: Black.

Code	\$	Description
C-2B	415	

C-2A-1S

Triple Computer Monitor Bracket

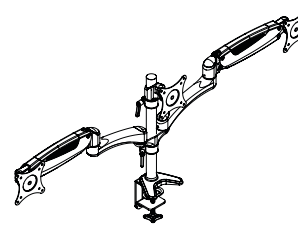


- Triple computer monitor bracket with fixed arm support;
- Height-adjustable arms;
- Clamp mounted;
- Finish: Black.

Code	\$	Description
C-2A-1S	401	

C-2B-1S

Triple Computer Monitor Bracket



- Triple monitor bracket with 2 flexible arm supports;
- Height-adjustable arms;
- Clamp mounted;
- Finish: Black.

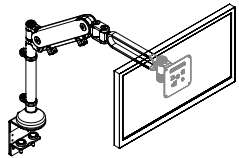
Code	\$	Description
C-2B-1S	454	

Accessories

Computer Monitor Brackets

BRSC1M4

Monitor Arm



- Monitor arm with height-adjustable arm, clamp-mounted;
- Finish: Satin nickel.

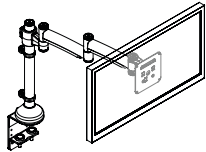
Code	\$	Description
------	----	-------------

BRSC1M4	678	
---------	-----	--

This is a Human Scale product.

BRSC1M7

Monitor Arm



- Monitor arm with fixed-height arm, clamp-mounted;
- Finish: Satin nickel.

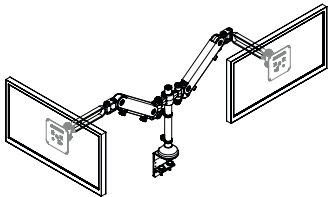
Code	\$	Description
------	----	-------------

BRSC1M7	481	
---------	-----	--

This is a Human Scale product.

BRSC2M4

Double Monitor Arm



- Double monitor arm with height-adjustable arm, clamp-mounted;
- Finish: Satin nickel.

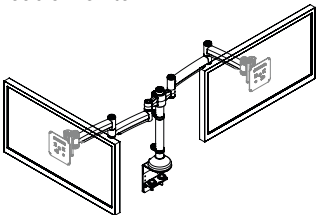
Code	\$	Description
------	----	-------------

BRSC2M4	1191	
---------	------	--

This is a Human Scale product.

BRSC2M7

Double Monitor Arm



- Double monitor arm with fixed-height arm, clamp-mounted;
- Finish: Satin nickel.

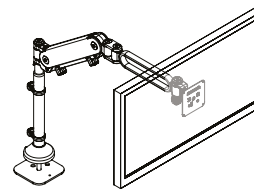
Code	\$	Description
------	----	-------------

BRSC2M7	740	
---------	-----	--

This is a Human Scale product.

BRSG1M4

Computer Monitor Bracket



- Computer monitor bracket with height-adjustable arm;
- Grommet mounted;
- Finish: Satin Nickel.

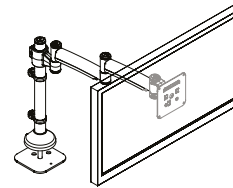
Code	\$	Description
------	----	-------------

BRSG1M4	651	
---------	-----	--

This is a Human Scale product.

BRSG1M7

Computer Monitor Bracket



- Computer monitor bracket with fixed-height arm;
- Grommet mounted;
- Finish: Satin Nickel.

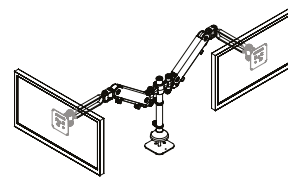
Code	\$	Description
------	----	-------------

BRSG1M7	447	
---------	-----	--

This is a Human Scale product.

BRSG2M4

Double Computer Monitor Bracket



- Double computer monitor bracket with height-adjustable arm;
- Grommet mounted;
- Finish: Satin Nickel.

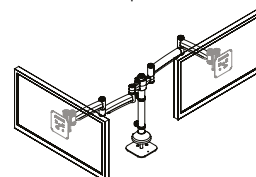
Code	\$	Description
------	----	-------------

BRSG2M4	1185	
---------	------	--

This is a Human Scale product.

BRSG2M7

Double Computer Monitor Bracket



- Double computer monitor bracket with fixed height;
- Grommet mounted;
- Finish: Satin Nickel.

Code	\$	Description
------	----	-------------

BRSG2M7	706	
---------	-----	--

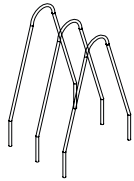
This is a Human Scale product.

Accessories

Miscellaneous Accessories

WD

Dividers

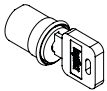


- Metal dividers.

Code	\$	Description
WD	27	Set of 3

LK

Lock/key



- Locks with keys
- Finish: Satin nickel or black finish;
- Additional locks, sold separately or factory installed;
- Please specify the type of furniture on which the will be installed.

Code	\$	Description
LKSN	43	Satin Nickel lock (factory installed)
LKBL	43	Black lock (factory installed)

LKSNF	27	Satin Nickel front lock
LKBLF	27	Black front lock

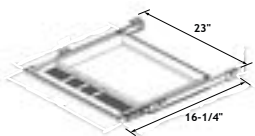
LKSNP	27	Satin Nickel door lock
LKBLP	27	Black door lock

KEY	19	Set of 2 keys - #501 - 600
SERR 010	19	1 master key



TCPM

Sliding Drawer

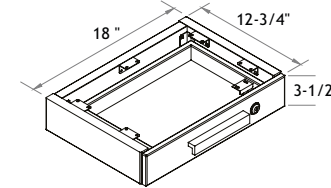


- Black plastic sliding drawer with steel ball bearing slides.

Code	\$	Description
TCPM	183	

TIRA

Drawer

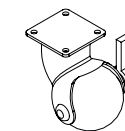


- Drawer and front 5/8" laminate;
- Frame 1" laminate;
- Lock included;
- Mounting brackets and screws included.

Code	\$	Description
TIRA	206	Drawer with lock
TIRAHG	233	Drawer with lock and HG front finish

ROUL035

Caster

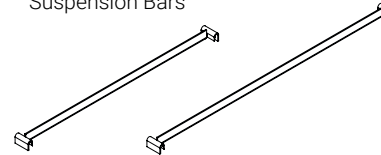


- Ball caster with break;
- Maximum static capacity: 40kg (88 lbs);
- Maximum dynamic capacity: 30kg (66 lbs).

Code	\$	Description
ROUL035	26	

SB

Suspension Bars

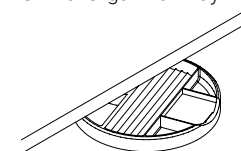


- Short suspension bars: 1 or 2 suspension bars for a left/right filing for a regular file drawer;
- Long suspension bars: 1 or 2 suspension bars for a front/back filing for a lateral file drawer.

Code	\$	Description
SBV1	7	1 short suspension bar
SBV2	14	2 short suspension bars
SBH1	7	1 long suspension bar
SBH2	14	2 long suspension bars

SWV

Swivel Organizer Tray



- Storage drawer that rotate 360 degrees;
- Mounts flush to the edge;
- Dimensions: 7-1/2"D x 8-7/8"W x 1"H.

Code	\$	Description
SWV	63	

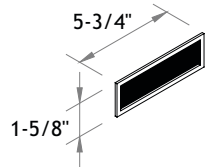
Accessories



Miscellaneous Accessories

GRILLB

Ventilation grill

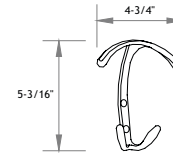


- Black plastic ventilation grill;
- Factory installation only.

Code	\$	Description
GRILLB	53	

CRLI 011

Hook

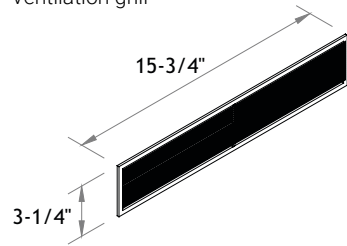


- Chrome finish double hook.

Code	\$	Description
CRLI 011	46	

GRILLW

Ventilation grill



- White plastic ventilation grill;
- Factory installation only.

Code	\$	Description
GRILLW	69	

STP2

Stabilizer

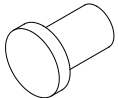


- Stabilizer for divider screens.

Code	\$	Description
STP2	5	Unit price

CRLI 010

Hook



- Stainless steel hook.

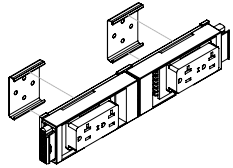
Code	\$	Description
CRLI 010	26	

Accessories

Electrical Accessories

BE-KDHB-1

Single sided power block (1)



Set including:

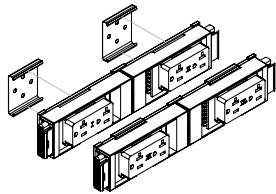
- Single sided power block (1);
- 2 Duplex -1 circuit;
- 2 mounting plates;
- Max. 10 duplex per circuit (5 double half power block BE-KDHB-1).

Code	\$	Description
BE-KDHB-1-BL	197	
BE-KDHB-1-WH	208	



BE-KDHB-4

Single sided power block (2)



Set including:

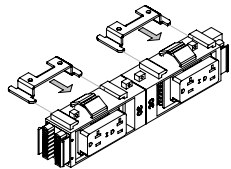
- Single sided power block (2);
- 4 Duplex -1 of each circuit;
- 4 Mounting plates;
- Max. 40 duplex (20 double half power block).

Code	\$	Description
BE-KDHB-4-BL	395	
BE-KDHB-4-WH	405	



BE-KDBSM-1

Double sided power block



Set including:

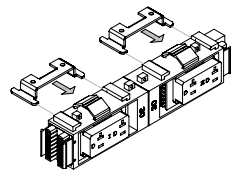
- Double sided power block;
- 4 duplex -1 circuit;
- 2 slide mounting brackets;
- Max. 10 duplex per circuit (2 double power block).

Code	\$	Description
BE-KDBSM-1-BL	369	
BE-KDBSM-1-WH	387	



BE-KDBSM-4

Double sided power block



Set including:

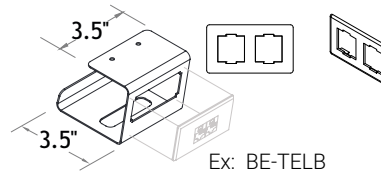
- Double sided power block;
- 4 duplex -1 of each circuit;
- 2 slide mounting brackets;
- Max. 40 duplex (10 double power block).

Code	\$	Description
BE-KDBSM-4-BL	369	
BE-KDBSM-4-WH	387	



SMWM

Cable Support

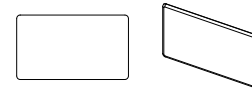


- 3.5" metal wire support with 1 telecom plate cutout;
- Satin nickel finish.

Code	\$	Description
SMWM	29	

BE-TELA

Telecom plate

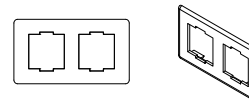


- Blank plate;
- 3-1/8" x 1-3/4";
- Colors: Black, White and Satin nickel;
- To be used with the APB, APF or AP2 cover plate option of the supply walls.

Code	\$	Description
BE-TELA-BL	5	
BE-TELA-WH	5	
BE-TELA-SN	5	

BE-TELB

Telecom plate



- 2 spaces to install connection ports;
- 3-1/8" x 1-3/4";
- Adapter included.
- Colors: Black, White and Satin nickel.

Code	\$	Description
BE-TELB-BL	5	
BE-TELB-WH	5	
BE-TELB-SN	5	

BE-HW

Hardwired conduit power entry



- * To be connected to an electrical box by an electrician.
- 8 wires - 4 circuits 20A;
- For 8 trac system;
- Bare wires at one end
- Male end.

Code	\$	Description
BE-HW-72	180	8 wire, 4 circuit - 72"L
BE-HW-84	197	8 wire, 4 circuit - 84"L
BE-HW-96	218	8 wire, 4 circuit - 96"L
BE-HW-120	255	8 wire, 4 circuit - 120"L
BE-HW-180	376	8 wire, 4 circuit - 180"L

Accessories

Electrical Accessories

BE-PI72

Corded Power entry



- Corded power entry of 72";
- Right angle 20 Amp plug;
- Male end;
- 1 circuit 20A;
- Must be plug on 20A outlet



Code	\$	Description
BE-PI72	224	

BE-NYHW

NYC flex hardwired power infeed



- * To be connected to an electrical box by an electrician.
- 8 wires - 4 circuits 20 A;
- Bare wires at one end;
- For 8 trac system;
- Male end.

Code	\$	Description
BE-NYHW-72	407	
BE-NYHW-84	427	
BE-NYHW-96	445	
BE-NYHW-108	465	
BE-NYHW-120	485	

BE-J

M/M jumper



- Not adjustable;
- 8 wire - 4 circuits;
- M/M;
- For 8 trac system;
- Minimum 12" - Maximum 216".

Code	\$	Description
BE-J12	114	8 wire cable / 4 circuit - 12"L
BE-J18	123	8 wire cable / 4 circuit - 18"L
BE-J24	130	8 wire cable / 4 circuit - 24"L
BE-J36	141	8 wire cable / 4 circuit - 36"L
BE-J42	151	8 wire cable / 4 circuit - 42"L
BE-J48	161	8 wire cable / 4 circuit - 48"L
BE-J54	168	8 wire cable / 4 circuit - 54"L
BE-J60	181	8 wire cable / 4 circuit - 60"L
BE-J66	189	8 wire cable / 4 circuit - 66"L
BE-J72	198	8 wire cable / 4 circuit - 72"L
BE-J78	207	8 wire cable / 4 circuit - 78"L
BE-J84	219	8 wire cable / 4 circuit - 84"L
BE-J96	237	8 wire cable / 4 circuit - 96"L
BE-J120	277	8 wire cable / 4 circuit - 120"L
BE-J216	515	8 wire cable / 4 circuit - 216"L

BE-HC

Harness connector F/F

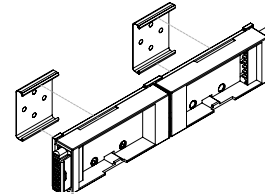


- Used to connect jumper cables;
- 1-1/2" x 2-1/4".

Code	\$	Description
BE-HC	51	

BE-DHB

Single sided power block

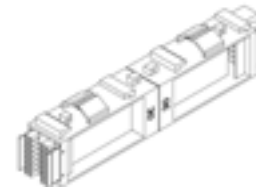


- Maximum of 2 duplex per block;
- Includes mounting plates ;
- F/F ;
- For 8-trac system ;
- Duplex ordered separately.

Code	\$	Description
BE-DHB	103	

BE-DBSM

Double sided power block



- Maximum of 4 duplex per block;
- For 8-trac system ;
- Slide mounting sold separately ;
- F/F ;
- Duplex ordered separately.

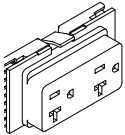
Code	\$	Description
BE-DBSM	148	

Accessories

Electrical Accessories

BE-D20-C

Duplex

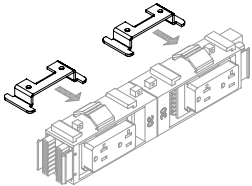


- 20 Amp;
- Height 1-1/18";
- For BE-DHB & BE-DBSM blocks ;
- Colors: Black or white ;
- Maximum of 10 Duplex per circuit.

Code	\$	Description
BE-D20-C-1-BL	47	
BE-D20-C-2-BL	47	
BE-D20-C-3-BL	47	
BE-D20-C-4-BL	47	
BE-D20-C-1-WH	53	
BE-D20-C-2-WH	53	
BE-D20-C-3-WH	53	
BE-D20-C-4-WH	53	

BE-SM58-2

Slide mount bracket



- 2 brackets;
- Only for the double power block (BE DBSM);
 - 5/8" height;
 - Screws included.

Code	\$	Description
BE-SM58-2	32	

WM

Velcro Tie

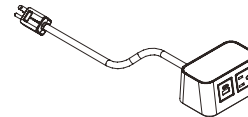


- Velcro tie for electrical cable;
- The non-metallic buckle is safe to use around electrical devices;
- Dimensions: 3/4" x 10";
- Color: black.

Code	\$	Description
WM	13	Unit price
WMS	14	with #8, 9/16" Robertson screw, per unit

BR1

Branch unit

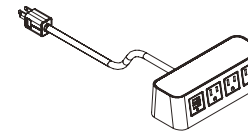


- 1 power outlet / 1 dual charger USB-a+;
- Table top with braided storm 120 IN power cord.

Code	\$	Description
BR1BL	476	Black
BR1WH	476	White

BR2

Branch unit

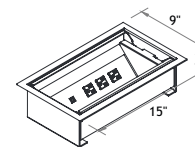


- 3 power outlet / 1 dual charger USB-a;
- Table top with braided storm 120 IN power cord.

Code	\$	Description
BR2BL	610	Black
BR2WH	610	White

OAS

Oasis



- OAS A: 6 power receptacles, 2 USB (chargers), cutout for 1 Telecom plate;
- OAS B: 6 power receptacles, 2 USB (chargers), HDMI F/F with 36" patch cord attached, Mini Stereo Inline, 15 Pin HD VGA F/F with 72" patch cord attached;
- OAS C: 6 power receptacles, 2 USB (chargers), HDMI F/F with 36" patch cord attached;
- 108" power cable with electric plug;
- Satin Nickel finish.



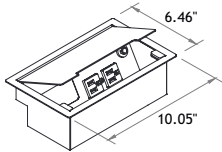
Code	\$	Description
OASA	2596	
OASB	3005	
OASC	2804	

Accessories

Electrical Accessories

INT

Interact



- Interact:
 - 72" power cable with electric plug for INT A, INT B and INT C models;
 - Satin Nickel finish.
- INT A: 2 power receptacles and a cutout for 1 telecom plate, 3rd electrical outlet on underside.
- INT B: 2 power receptacles, 3rd electrical outlet on underside, HDMI F/F with 36" patch cord attached, Mini Stereo Inline, 15 Pin HD VGA F/F.
- INT C: 2 power receptacles, 3rd electrical outlet on underside, HDMI F/F with 36" patch cord attached.



Code	\$	Description
INT A	714	
INT B	1126	
INT C	923	

With electric plug

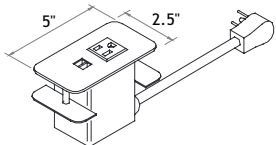


Code	\$	Description
INT A HW	550	
INT B HW	1126	
INT C HW	922	

Hardwire: to be connected to an electrical box by an electrician.

COV1

Cove Unit



NOT AVAILABLE

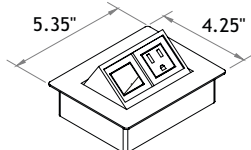
- 108" power cable with electric plug;
- Satin nickel finish.



Code	\$	Description
COV1	575	1 power, 2 USB (chargers)

MH3A

Connectivity unit



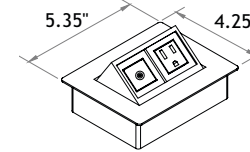
- Retractable connectivity unit with 1 electrical outlet and 1 empty telecommunication outlet (outlet not included);
- 72" or 120" power cable with electric plug;
- Finish: Satin Nickel.



Code	\$	Description
MH3A	397	Satin Nickel, 72" power cable
MH3A120	410	Satin Nickel, 120" power cable

MH3B

Connectivity unit



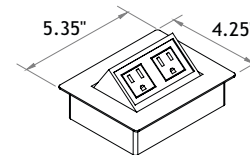
- Retractable connectivity unit with 1 audio jack and 1 electrical outlet;
- 72" or 120" power cable with electric plug;
- Finish: Satin Nickel.



Code	\$	Description
MH3B	397	Satin Nickel, 72" power cable
MH3B120	410	Satin Nickel, 120" power cable

MH3C

Connectivity unit



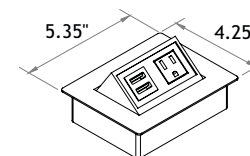
- Retractable connectivity unit with 2 electrical outlets;
- 72" or 120" power cable with electric plug;
- Finish: Satin Nickel.



Code	\$	Description
MH3C	397	Satin Nickel, 72" power cable
MH3C120	410	Satin Nickel, 120" power cable

MH3D

Connectivity unit



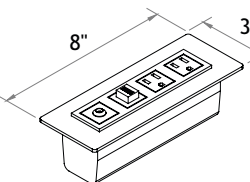
- Retractable connectivity unit with 1 electrical outlet and 2 USB (chargers);
- 72" or 120" power cable with electric plug;
- Finish: Satin Nickel.



Code	\$	Description
MH3DSN	397	Satin Nickel, 72" power cable
MH3DSN120	410	Satin Nickel, 120" power cable
MH3DBL	397	Black, 72" power cable
MH3DBL120	410	Black, 120" power cable
MH3DWH	397	White, 72" power cable
MH3DWH120	410	White, 120" power cable

MH4

Connectivity unit



- Flat mounted connectivity unit with 2 electrical outlets, 1 audio jack input and 1 USB (charger);
- 72" power cable with electric plug;
- Finish: Black.



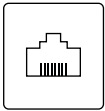
Code	\$	Description
MH4	431	

Accessories

Electrical Accessories

POR 01

RJ45, CAT 6 connectivity port

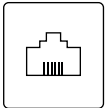


- RJ45, CAT6 connector;
- RJ45 M/F cable - 72" ;
- Finish: Black.

Code	\$	Description
POR 01	142	

POR 02

RJ11 connectivity port

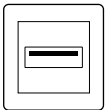


- RJ11 connector, 4 pin
- RJ11 M/F cable - 84";
- Finish: Black.

Code	\$	Description
POR 02	42	

POR 03

USB connectivity port

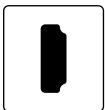


- 1 USB (data/passive);
- USB M/F cable - 72";
- Finish: Black.

Code	\$	Description
POR 03	88	

POR 04

HDMI connectivity port

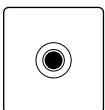


- HDMI connector;
- HDMI F/F cable - 18";
- Finish: Black.

Code	\$	Description
POR 04	130	

POR 05

Mini Stereo Jack

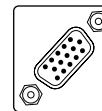


- 3.5 mm Mini Stereo Jack, M/F;
- Audio M/F cable -120";
- Finish: Black.

Code	\$	Description
POR 05	47	

POR 06

VGA Connector

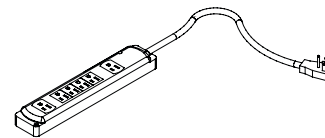


- VGA connector, 15 pin;
- VGA M/F cable -120";
- Finish: Black.

Code	\$	Description
POR 06	164	

F-714

Power bar



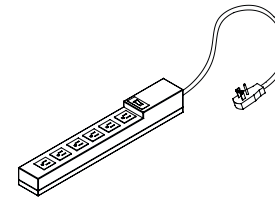
- Power bar with 6 AC 15 Amp electric outlets;
- 120", 14-3 power cable with electric plug.



Code	\$	Description
F-714	118	

PBL

Power bar



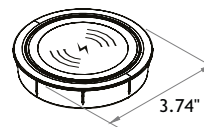
- Power bar with 6 electric outlets;
- 120" power cable with electric plug.



Code	\$	Description
PBL	61	

QIBL

Wireless Charger



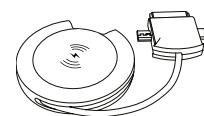
- Air charger wireless;
- Qi compatible device;
- 72" power cable with electric plug;
- Finish: Black.



Code	\$	Description
QIBL	617	

QIRE

Qi Adapter



- Receiver to adapt devices not Qi compatible.
- Built-in connections for Apple 30 pin and lightning, Micro-USB.

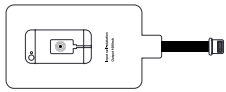
Code	\$	Description
QIRE	170	

Accessories

Electrical Accessories

QIIP

Transmitter for iPhone

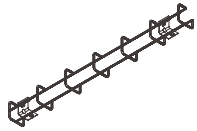


- Receiver for phones without Qi technology;
- For wireless charge devices;
- Adapter for Apple lightning port.

Code	\$	Description
QIIP	112	

CT

Metal cable tray

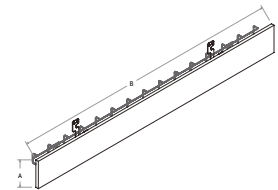


- Metal cable tray
- In stainless steel;
 - Dimensions: 2x4; Interior dimensions: 1-7/8"D x 1-7/8"H
 - Length of 24" and 118" (118" can be cut on site).
 - With mounting hardware

Code	\$	Description
CT24	53	
CT118	104	

CTCOVER

Laminate cover



- Laminate cover for cable tray;
- Mounting brackets;
- Dimension "B" is 1/4" recessed.

Code	\$	Description
06 30	46	6 x 30
06 36	53	6 x 36
06 42	58	6 x 42
06 48	64	6 x 48
06 54	69	6 x 54
06 60	76	6 x 60
06 66	81	6 x 66
06 72	87	6 x 72
06 78	92	6 x 78
06 84	99	6 x 84

DSG

Double-sided grommet

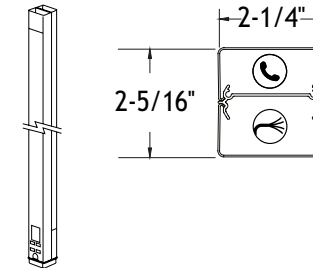


- Double-sided grommet
- Hole diameter: 2.5"
 - Use for electrical cable management with division panels. Drilling to be done by the installer.
 - Grommet to cut on site for desired thickness to cover;
 - Can not be cut with a simple utility knife, use a sharper and safer tool.

Code	\$	Description
DSG BL	23	Black
DSG WH	23	White

WMP

Wire Management Pole

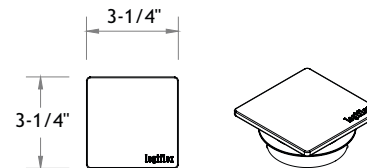


- Blank steel pole to bring cables from the ceiling to a work station;
- Satin nickel finish with a grey boot base;
- 2 compartments: 1 power/1 communications
- Mounting hardware, entrance end plate and ceiling trim plate included;
- Wires and outlets not included;
- Height: 12' 5".

Code	\$	Description
WMP	449	

C_PF

Grommet



- Square metal grommet with the Logiflex logo engraved;
- Finish: Satin Nickel, Black and Chrome;
- 2-1/2" diameter cutout.

Code	\$	Description
CAPF	26	Unit price - Satin Nickel
CBPF	26	Unit price - Black
CCPF	26	Unit price - Chrome
CDPF	26	Unit price - White

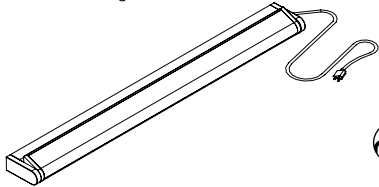
Accessories



Electrical Accessories

DEL20

LED task light



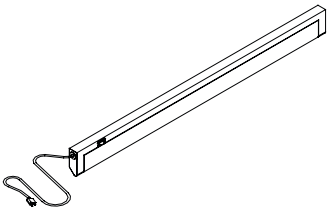
- 20" LED task light, 7.5W, cool white;
- 180° swivel feature;
- 72" power cable with electric plug;
- 20" connection wire for DEL20 task lamps;
- Finish: Satin nickel.



Code	\$	Description
DEL20	216	20" length

T5

Florescent task light



- Florescent lamp (T5) with swivel reflector and electronic ballast;
- 120" power cable with electric plug;
- 16" connection wire for T524, T536 or T548 florescent task lamps;
- Finish: Black and Satin Nickel



Code	\$	Description
T524 BL	170	24" length - Black
T524SN	170	24" length - Satin Nickel
T536 BL	226	36" length - Black
T536 SN	226	36" length - Satin Nickel
T548 BL	296	48" length - Black
T548 SN	296	48" length - Satin Nickel

As our product line is constantly evolving and expanding, we recommend that you visit logiflex.ca for updates.

logiflex

1235 St-Roch N., Sherbrooke QC J1N 0H2 Canada
T : 1.877.864.9323 | F : 1.800.474.7830 | logiflex.ca

