

# KNOCKOUT

Quick Ship Product



logiflex

# Our social responsibility / Conditions of Sale and Warranty

---

## Our social responsibility

At Logiflex, we have chosen to be a responsible North American manufacturer by implementing initiatives for sustainable development. As much as possible, we source local materials and partner with suppliers who prioritize clean manufacturing processes. We also consolidate goods during transport to reduce our fuel consumption and we continually make changes that help reduce our waste production.

The company is ISO 9001 certified.

You can consult our eco-responsible approach as well as all our certifications in the [Certifications](#) section of our website. Find out how our products can help you obtain LEED credits and the Logiflex products that are Indoor Advantage Gold certified.

## Prices

The amounts listed in this document are suggested retail prices and may be changed without notice. Applicable taxes are not included. If you have an open and active account with Logiflex, merchandise will be invoiced at the prices prevailing at the time of shipment. A deposit may be requested if the opening of your account has not been completed or if your account has become inactive.

## Terms of Payment

Net 30 days F.O.B. Sherbrooke, Quebec. The invoice will be assigned the shipping date and is payable 30 days from that date. Logiflex remains the owner of the merchandise until the invoice is paid in full.

## Orders

An official purchase order must be issued for all purchases. Your purchase order must contain the following information:

- Your company letterhead;
- Your reference number;
- The delivery address (with contact name, email and phone number);
- The complete product codes;
- Furniture colour(s);
- Quantities;
- Descriptions;
- Retail prices and net prices;
- Project registration number (if applicable), and your approved;
- quotation and technical drawing (for special items).

Please note that a quotation cannot serve as a purchase order.

## Returns

All returns must first be approved by Logiflex. If the return is accepted, a Logiflex customer service representative will send you an official return authorization form in order to facilitate procedures between you, the carrier, and the Logiflex merchandise reception clerk. Additional costs for shipping or other expenses may be applied following any merchandise returns.

## Modifications and/or Cancellations

You have 48 hours from the time we acknowledge receipt of your order to make any requests for corrections or modifications. You may cancel your order during this same 48-hour period. If you would like to modify or cancel your order after this 48-hour verification period, please check with a Logiflex customer service representative. Orders cannot be changed or cancelled if production has already begun or if Logiflex has already received the raw materials.

## Liability

Logiflex's liability ends once the carrier has delivered all items in good condition. A delivery receipt signed by the customer acknowledges that the shipment is complete and has been received in good condition.

## Claims

Logiflex recommends inspecting the shipment before signing the carrier's delivery receipt. You must notify Logiflex of any incomplete shipments or damaged furniture within 30 days after delivery. Requests to replace damaged products can be made via the "Online Services" section of our website, at [www.logiflex.ca](http://www.logiflex.ca). Our after-sales service department will examine your request and help you correct the situation.

## Changes

Logiflex reserves the right to make changes to the materials, accessories, components, specifications and designs, and to discontinue collections and/or models, at any time and without prior notice.

## Storage and/or Shipping Fees

According to the terms Logiflex set forth in the transport policy. The transport policy can be consulted online in the Private.

## Warranty

Logiflex guarantees to the original purchaser that Logiflex products are free from defects in design, materials and workmanship for the product's lifetime, with certain exceptions.

You may consult the full warranty on the website:

[Logiflex Warranty](#)



# MANUFACTURING STANDARDS

## ***Tops and Fronts***

---

Workstation worksurfaces are 1" and fronts are 5/8" thick.

## ***Grommets***

---

The CAPF grommet is included on worksurfaces and surfaces.

## ***Drawers***

---

All drawer interiors are constructed of 7/16" black panels and all drawer bottoms are made of 1/8" masonite panels.

## ***Handles and Legs***

---

The metal legs and handles have a standard satin nickel finish. H052SN handles are included.

## ***Locks***

---

Locks are not offered for this collection.

## ***Levelers***

---

All floor furniture sits on white nylon levelers.



## ***Available finishes***

---

While the frame of the furniture is polar white (W), the following items must be of the following 5 colors:

- All surfaces
- Surface Open Hutch
- Front of the surface unit



**CIY** Chiffon



**GIA** Ginger Root



**HAA** Haze



**AU** Audacity



**SW** Smoked Walnut

## ***Discount***

---

Please consult your representative for discount applicable on prices.

## ***Manufacturing conditions***

---

Standard lead time applies.

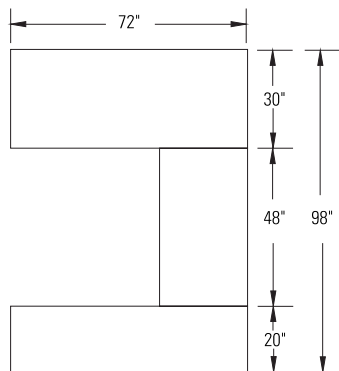
**Available in full configuration only.**

No custom available.

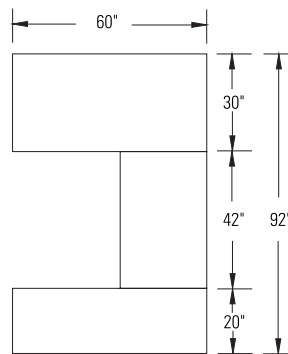
# KNOCKOUT PRODUCT MAP

THE KNOCKOUT OFFICE FURNITURE LINE INCLUDES TWO DIMENSIONS:

## Desk 30x72



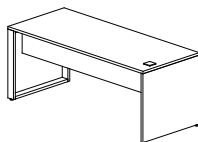
## Desk 30x60



 **These items are delivered unassembled.**

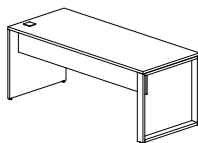
### KO 3072TABCDGRL or KO 3060TABCDGRL

Left desk 30x72x29H or 30x60x29H, top 1", satin nickel square metal leg at **right**, modesty 10", left grommet CAPF, -KD-



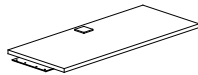
### KO 3072ABCGRRL or KO 3060ABCGRRL

Right desk 30x72x29H or 30x60x29H, top 1", satin nickel square metal leg at **left**, modesty 10", right grommet CAPF, -KD-



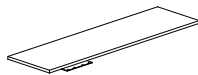
### KO 2048TOPGRC or KO 2042TOPGRC

Rectangular top 20x48 or 20x42, top 1", black plate 5"x12"x 3/16", centered CAPF grommet.



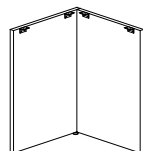
### KO 2072TOPNGR or KO 2060TOPNGR

Rectangular top 20x72 or 20x60, top 1", black plate 5x12x3/16.



### KO 2020COIN

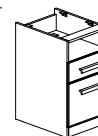
Melamine corner leg 20x20x28 H, -KD-



**These items are delivered assembled.**

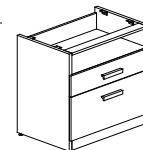
### KO 20PGD

Independent pedestal 20x15-5/16x28H with open storage, D pedestal (1 utility drawer and 1 file drawer), H052SN pull, without lock.



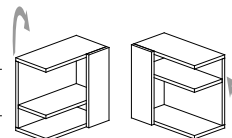
### KO 2030PGUCL

Independent pedestal 20x30x28H with open storage, K pedestal (1 utility drawer and 1 lateral file drawer), H052SN pull, without lock.



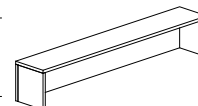
### KO 132422HO (reversible)

Surface unit 13x24x22H, fixed shelf.

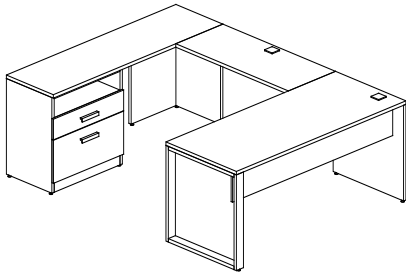


### KO 1272RS13 or KO 1260RS13

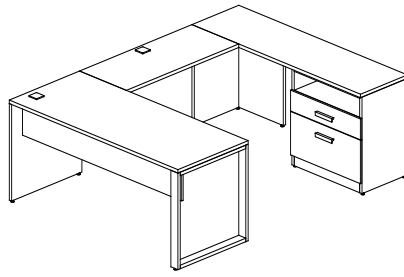
Surface open hutch 12x72x13H or 12x60x13H.



### Configuration 1



Left



Right

#### PRODUCT

#### LIST PRICE

[KO 3072TABCDGRL](#) or [KO 3060TABCDGRL](#)

Desk left or

[KO 3072TABCGR](#) or [KO 3060TABCGR](#)

Desk right

[KO 2048TOPGRC](#) or [KO 2042TOPGRC](#)

Rectangular top 20x48 or 20x42

[KO 2072TOPNGR](#) or [KO 2060TOPNGR](#)

Rectangular top 20x72 or 20x60

[KO 2020COIN](#)

Corner laminate leg 20x20

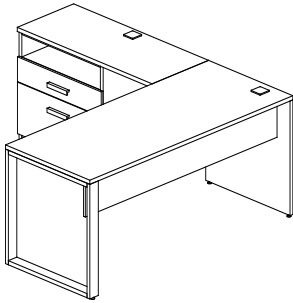
[KO 2030PGUCL](#)

Independant pedestal 20x30x28

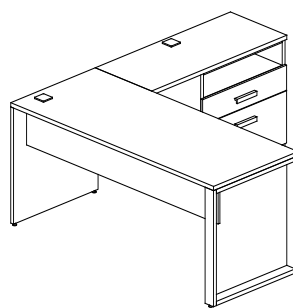
**TOTAL**

**\$1 799**

### Configuration 2



Left



Right

#### PRODUCT

#### LIST PRICE

[KO 3072TABCDGRL](#) or [KO 3060TABCDGRL](#)

Desk left or

[KO 3072TABCGR](#) or [KO 3060TABCGR](#)

Desk right

[KO 2048TOPGRC](#) or [KO 2042TOPGRC](#)

Rectangular top 20x48 or 20x42

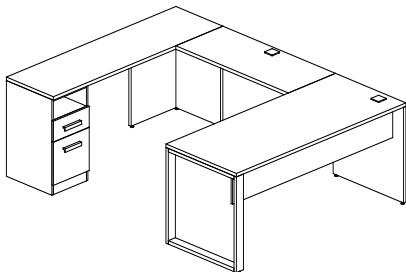
[KO 2030PGUCL](#)

Independant pedestal 20x30x28

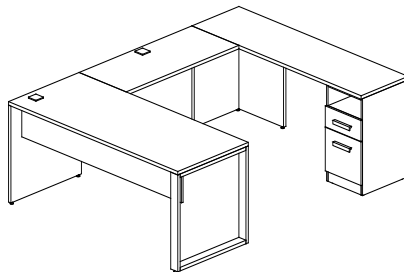
**TOTAL**

**\$1 477**

### Configuration 3



Left



Right

#### PRODUCT

#### LIST PRICE

[KO 3072TABCDGRL](#) or [KO 3060TABCDGRL](#)

Desk left or

[KO 3072TABCGR](#) or [KO 3060TABCGR](#)

Desk right

[KO 2048TOPGRC](#) or [KO 2042TOPGRC](#)

Rectangular top 20x48 or 20x42

[KO 2072TOPNGR](#) or [KO 2060TOPNGR](#)

Rectangular top 20x72 or 20x60

[KO 2020COIN](#)

Corner laminate leg 20x20

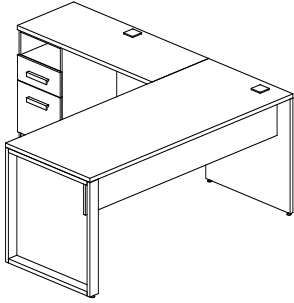
[KO 20PGD](#)

Independant pedestal 20x15-5/16x28

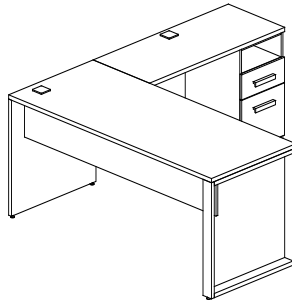
**TOTAL**

**\$1 663**

### Configuration 4



Left



Right

### PRODUCT

### LIST PRICE

KO 3072TABCDGRL or KO 3060TABCDGRL

Desk left or

KO 3072TABCGR or KO 3060TABCGR

Desk right

KO 2048TOPGRC or KO 2042TOPGRC

Rectangular top 20x48 or 20x42

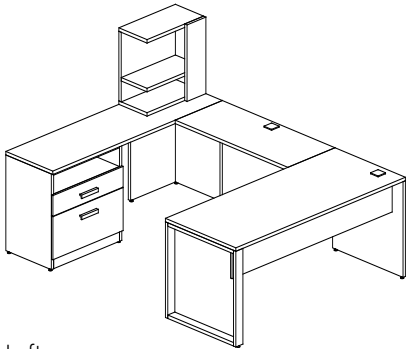
KO 20PGD

Independant pedestal 20x15-5/16x28

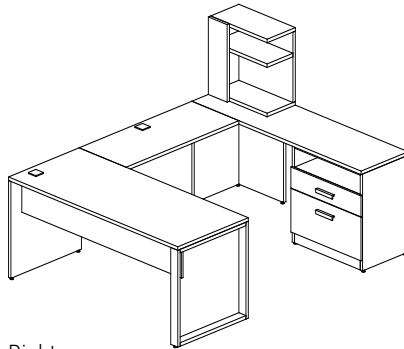
**TOTAL**

**\$1 341**

### Configuration 5



Left



Right

### PRODUCT

### LIST PRICE

KO 3072TABCDGRL or KO 3060TABCDGRL

Desk left or

KO 3072TABCGR or KO 3060TABCGR

Desk right

KO 2048TOPGRC or KO 2042TOPGRC

Rectangular top 20x48 or 20x42

KO 2072TOPNGR or KO 2060TOPNGR

Rectangular top 20x72 or 20x60

KO 2020COIN

Corner laminate leg 20x20

KO 2030PGUCL

Independant pedestal 20x30x28

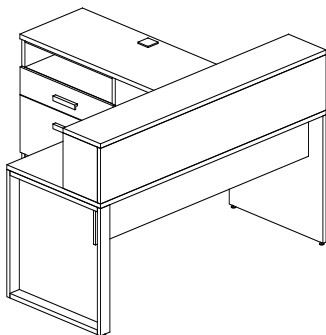
KO 132422HO

Surface unit 13x24x22

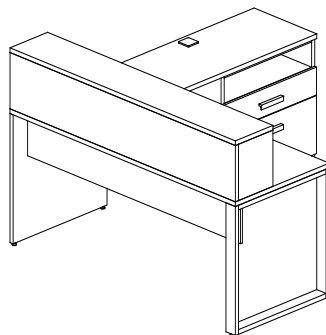
**TOTAL**

**\$2 171**

### Configuration 6



Left



Right

### PRODUCT

### LIST PRICE

KO 3072TABCDGRL or KO 3060TABCDGRL

Desk left or

KO 3072TABCGR or KO 3060TABCGR

Desk right

KO 2048TOPGRC or KO 2042TOPGRC

Rectangular top 20x48 or 20x42

KO 2030PGUCL

Independant pedestal 20x30x28

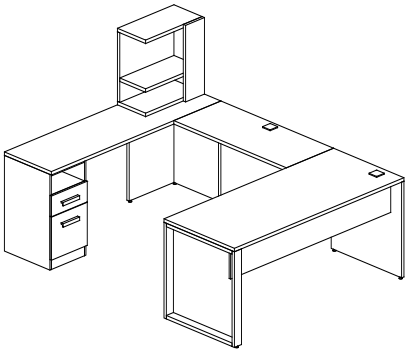
KO 1272RS13 or KO 1260RS13

Surface open hutch 12x72x13 or  
12x60x13

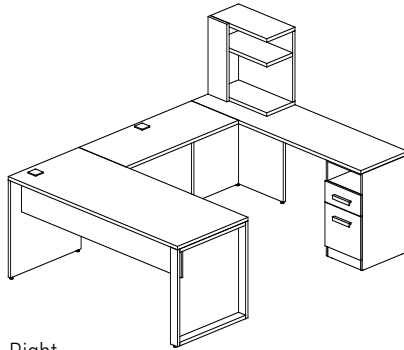
**TOTAL**

**\$1 813**

### Configuration 7



Left



Right

#### PRODUCT

#### LIST PRICE

KO 3072TABCDGRL or KO 3060TABCDGRL

Desk left or

KO 3072TABCGR or KO 3060TABCGR

Desk right

KO 2048TOPGRC or KO 2042TOPGRC

Rectangular top 20x48 or 20x42

KO 2072TOPNGR or KO 2060TOPNGR

Rectangular top 20x72 or 20x60

KO 2020COIN

Corner laminate leg 20x20

KO 20PGD

Independant pedestal 20x15-5/16x28

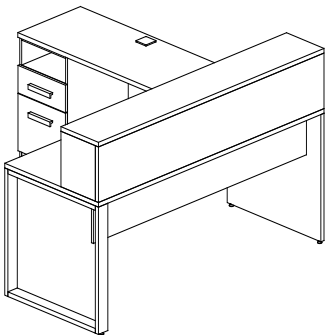
KO 132422HO

Surface unit 13x24x22

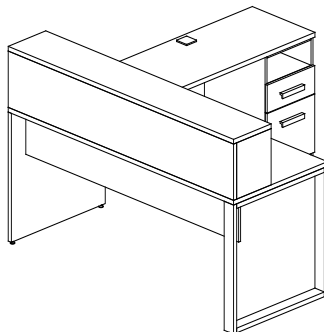
**TOTAL**

**\$2 035**

### Configuration 8



Left



Right

#### PRODUCT

#### LIST PRICE

KO 3072TABCDGRL or KO 3060TABCDGRL

Desk left or

KO 3072TABCGR or KO 3060TABCGR

Desk right

KO 2048TOPGRC or KO 2042TOPGRC

Rectangular top 20x48 or 20x42

KO 20PGD

Independant pedestal 20x15-5/16x28

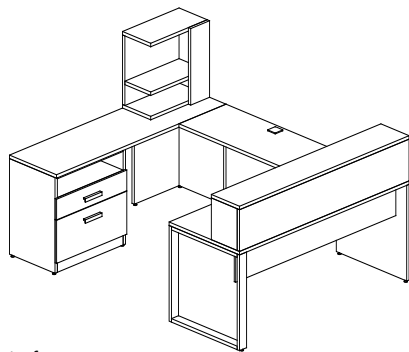
KO 1272RS13 or KO 1260RS13

Surface open hutch 12x72x13 or  
12x60x13

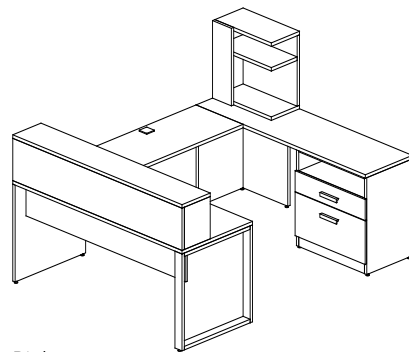
**TOTAL**

**\$1 677**

### Configuration 9



Left



Right

#### PRODUCT

#### LIST PRICE

KO 3072TABCDGRL or KO 3060TABCDGRL

Desk left or

KO 3072TABCGR or KO 3060TABCGR

Desk right

KO 2048TOPGRC or KO 2042TOPGRC

Rectangular top 20x48 or 20x42

KO 2072TOPNGR or KO 2060TOPNGR

Rectangular top 20x72 or 20x60

KO 2020COIN

Corner laminate leg 20x20

KO 2030PGUCL

Independant pedestal 20x30x28

KO 132422HO

Surface unit 13x24x22

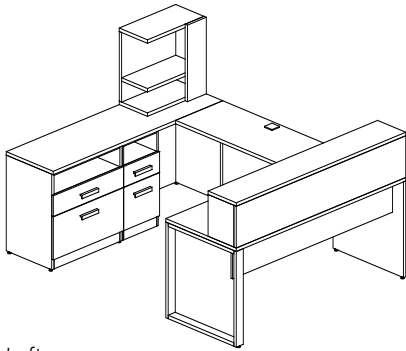
KO 1272RS13 or KO 1260RS13

Surface open hutch 12x72x13 or  
12x60x13

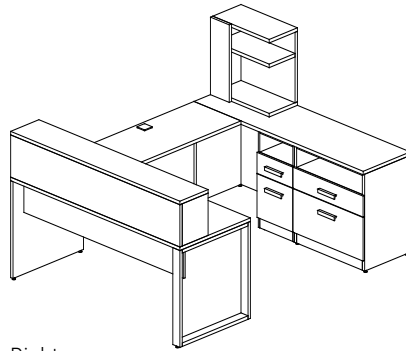
**TOTAL**

**\$2 507**

### Configuration 10



Left



Right

#### PRODUCT

#### LIST PRICE

KO 3072TABCDGRL

Desk left or

KO 3072TABCGR

Desk right

KO 2048TOPGRC ou KO 2042TOPGRC

Rectangular top 20x48 or 20x42

KO 2072TOPNGR

Rectangular top 20x72

KO 2020COIN

Corner laminate leg 20x20

KO 2030PGUCL

Independant pedestal 20x30x28

KO 20PGD

Independant pedestal 20x15-5/16x28

KO 132422HO

Surface unit 13x24x22

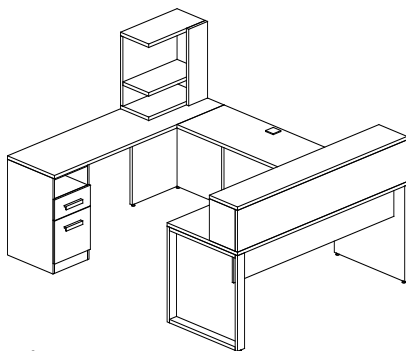
KO 1272RS13

Surface open hutch 12x72x13

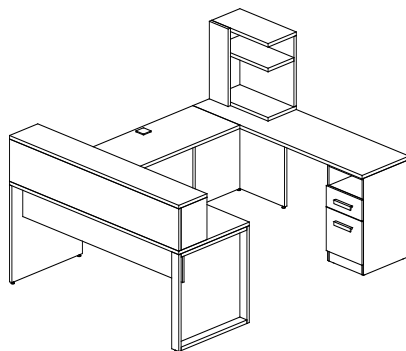
**TOTAL**

**\$3 016**

### Configuration 11



Left



Right

#### PRODUCT

#### LIST PRICE

KO 3072TABCDGRL or KO 3060TABCDGRL

Desk left or

KO 3072TABCGR or KO 3060TABCGR

Desk right

KO 2048TOPGRC or KO 2042TOPGRC

Rectangular top 20x48 or 20x42

KO 2072TOPNGR or KO 2060TOPNGR

Rectangular top 20x72 or 20x60

KO 2020COIN

Corner laminate leg 20x20

KO 20PGD

Independant pedestal 20x15-5/16x28

KO 132422HO

Surface unit 13x24x22

KO 1272RS13 or KO 1260RS13

Surface open hutch 12x72x13 or

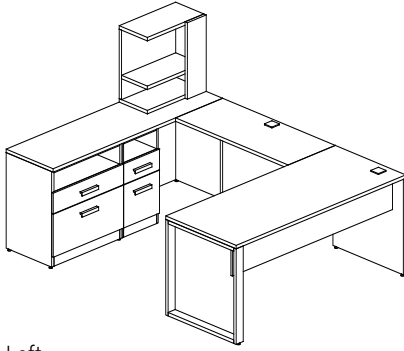
12x60x13

**TOTAL**

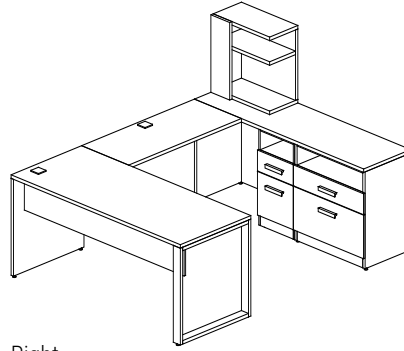
**\$2 371**



### Configuration 12



Left



Right

#### PRODUCT

#### LIST PRICE

KO 3072TABCDGRL

Desk left or

KO 3072TABCGR

Desk right

KO 2048TOPGRC or KO 2042TOPGRC

Rectangular top 20x48 or 20x42

KO 2072TOPNGR

Rectangular top 20x72

KO 2020COIN

Corner laminate leg 20x20

KO 2030PGUCL

Independant pedestal 20x30x28

KO 20PGD

Independant pedestal 20x15-5/16x28

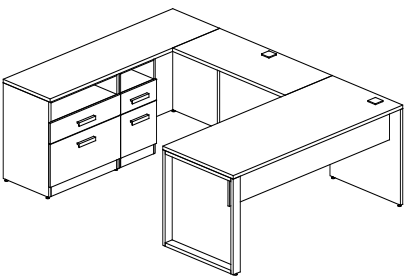
KO 132422HO

Surface unit 13x24x22

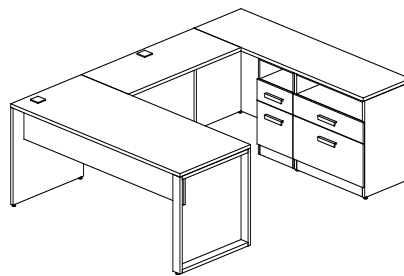
**TOTAL**

**\$2 680**

### Configuration 13



Left



Right

#### PRODUCT

#### LIST PRICE

KO 3072TABCDGRL

Desk left or

KO 3072TABCGR

Desk right

KO 2048TOPGRC or KO 2042TOPGRC

Rectangular top 20x48 or 20x42

KO 2072TOPNGR

Rectangular top 20x72

KO 2020COIN

Corner laminate leg 20x20

KO 2030PGUCL

Independant pedestal 20x30x28

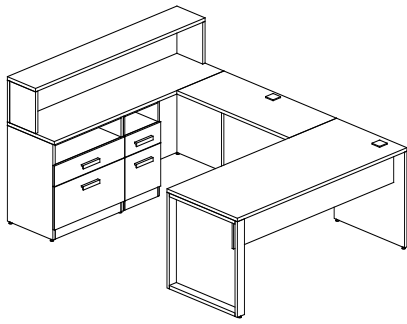
KO 20PGD

Independant pedestal 20x15-5/16x28

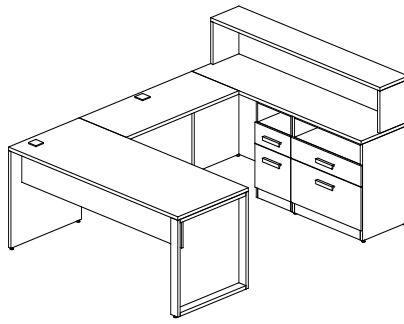
**TOTAL**

**\$2 308**

**Configuration 14**



Left



Right

**PRODUCT**

**LIST PRICE**

KO 3072TABCDGRL or KO 3060TABCDGRL

Desk left or

KO 3072TABCGR or KO 3060TABCGR

Desk right

KO 2048TOPGRC or KO 2042TOPGRC

Rectangular top 20x48 or 20x42

KO 2072TOPNGR

Rectangular top 20x72

KO 2020COIN

Corner laminate leg 20x20

KO 2030PGUCL

Independant pedestal 20x30x28

KO 20PGD

Independant pedestal 20x15-5/16x28

KO 1272RS13 or KO 1260RS13

Surface open hutch 12x72x13 or  
12x60x13

**TOTAL**

**\$2 644**

**Configuration 15**

**PRODUCT**

**LIST PRICE**

KO 3072TABCDGRL or KO 3060TABCDGRL

Desk left or

KO 3072TABCGR or KO 3060TABCGR

Desk right

KO 2048TOPGRC or KO 2042TOPGRC

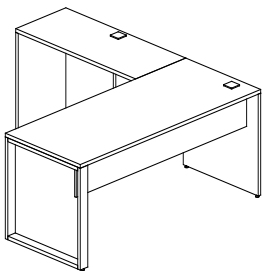
Rectangular top 20x48 or 20x42

KO 2020COIN

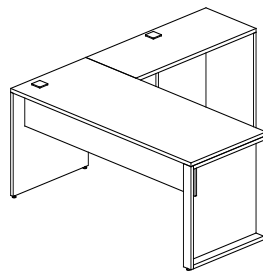
Corner laminate leg 20x20

**TOTAL**

**\$966**



Left



Right

# CONFIGURATIONS EXAMPLES

**Configuration 1** – Right



**Configuration 4** – Right



**Configuration 6 – Right**



**Configuration 10 – Right**





As our product line is constantly evolving and expanding, we recommend that you visit [logiflex.ca](http://logiflex.ca) for updates.

logiflex

1235 St-Roch N., Sherbrooke QC J1N 0H2 Canada  
T : 1.877.864.9323 | F : 1.800.474.7830 | [logiflex.ca](http://logiflex.ca)

