

ELEVATION PLUS

Price List
CANADA 2023



logiflex

Table of Contents

Introduction	3
Product Map	5
Our social responsibility	6
Conditions of Sale	6
Manufacturing Standards	7
How to Use the Price List	8
Appendix A: Colors and Finishes	9
Appendix B : Elevation Plus adjustable tables	10
Appendix C: Grommet and Connection Unit	12
Appendix D : Elevation Plus Power Beam	13
Appendix E : Laminate complements - Executive office	14
Appendix F: Calculation/Use of Electrical Components	16
Appendix G: Divider Screens	19
Height Adjustable Tables	20
Rectangular Tables	21
L-Shaped Tables	22
Power Beam - 1 side	23
Power Beam - 2 sides	24
Individual Shroud	25
Individual Shroud with Drawers	26
Shells	27
Modesties for table with shrouds	29
Accessories	31
Handles	32
CPU Holders	33
Miscellaneous Accessories	34
Electrical Accessories	35

Update Summary

The Elevation Plus price list presents these principal modifications:

DATE	SECTION	MODIFICATIONS
July 4, 2023	Electrical accessories	<ul style="list-style-type: none"> Chicago Code : Certain electrical components are now marked prohibited or restricted for orders in Chicago. (USA pricelist only).

Previous updates:

DATE	SECTION	MODIFICATIONS
May 22, 2023	All the Price List	<ul style="list-style-type: none"> Addition of white metal.
February 1, 2023	All the Price List	<ul style="list-style-type: none"> All prices have been increased by approximately 5%. New certification Indoor Advantage Gold (replace Greenguard). Changed WF36-WF55 to WS36-WS54 (fabric sleeve).
July 1, 2022	All the Price List	<ul style="list-style-type: none"> All prices have been increased by approximately 5%. Replacement of the 1 circuit and 4 circuits electrical system.
	Appendix A	<ul style="list-style-type: none"> Color availability chart update for the HPL.
	Appendix B	<ul style="list-style-type: none"> Updated electrical specifications.
February 1, 2022	All the Price List	<ul style="list-style-type: none"> All prices have been increased by approximately 6%.
	Conditions of Sales	<ul style="list-style-type: none"> The order modification / cancellation deadline is changed to 48 hours.

Introduction

Product Map

Height Adjustable Tables

Power Beams

Tables p. 21

Power Beam p. 23

Laminate complements for executive office

Individual shroud p. 25



Shells p. 27

Modesties for table with shrouds p. 29

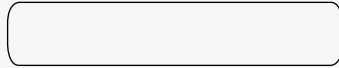
Laminate Cover p. 2930

Divider Screens and modesties

Acrylic p. 29

Laminate p. 29

Tackboard p. 29



Our social responsibility

At Logiflex, we have chosen to be a responsible North American manufacturer by implementing initiatives for sustainable development. As much as possible, we source local materials and partner with suppliers who prioritize clean manufacturing processes. We also consolidate goods during transport to reduce our fuel consumption and we continually make changes that help reduce our waste production.

The company is ISO 9001 certified.

You can consult our eco-responsible approach as well as all our certifications in the [Certifications](#) section of our website. Find out how our products can help you obtain LEED credits and the Logiflex products that are Indoor Advantage Gold certified.

Conditions of Sale

Prices

The amounts listed in this document are suggested retail prices and may be changed without notice. Applicable taxes are not included. If you have an open and active account with Logiflex, merchandise will be invoiced at the prices prevailing at the time of shipment. A deposit may be requested if the opening of your account has not been completed or if your account has become inactive.

Terms of Payment

Net 30 days F.O.B. Sherbrooke, Quebec. The invoice will be assigned the shipping date and is payable 30 days from that date. Logiflex remains the owner of the merchandise until the invoice is paid in full.

Customized Products (Special Items)

Price requests for customized products or special items can be submitted via the ["Private Space"](#) section of our website, at www.logiflex.ca. Our quotations department will study your request and send you a quotation and a technical drawing for approval as soon as possible. Modifications to quotations or technical drawings can be requested the same way. The approved quotation(s) and technical drawing(s) can then be attached to your purchase order.

Orders

An official purchase order must be issued for all purchases. Your purchase order must contain the following information:

- Your company letterhead
- Your reference number
- The delivery address (with contact name, email and phone number)
- The complete product codes
- Furniture colour(s)
- Quantities
- Descriptions
- Retail prices and net prices
- Project registration number (if applicable), and your approved quotation and technical drawing (for special items).

Please note that a quotation cannot serve as a purchase order.

Returns

All returns must first be approved by Logiflex. If the return is accepted, a Logiflex customer service representative will send you an official return authorization form in order to facilitate procedures between you, the carrier, and the Logiflex merchandise reception clerk. Additional costs for shipping or other expenses may be applied following any merchandise returns.

Modifications and/or Cancellations

You have 48 hours from the time we acknowledge receipt of your order to make any requests for corrections or modifications. You may cancel your order during this same 48-hour period. If you would like to modify or cancel your order after this 48-hour verification period, please check with a Logiflex customer service representative. Orders cannot be changed or cancelled if production has already begun or if Logiflex has already received the raw materials.

Liability

Logiflex's liability ends once the carrier has delivered all items in good condition. A delivery receipt signed by the customer acknowledges that the shipment is complete and has been received in good condition.

Claims

Logiflex recommends inspecting the shipment before signing the carrier's delivery receipt. You must notify Logiflex of any incomplete shipments or damaged furniture within 30 days after delivery. Requests to replace damaged products can be made via the ["Private Space"](#) section of our website, at www.logiflex.ca. Our after-sales service department will examine your request and help you correct the situation.

Changes

Logiflex reserves the right to make changes to the materials, accessories, components, specifications and designs, and to discontinue collections and/or models, at any time and without prior notice.

Storage and/or Shipping Fees

According to the terms Logiflex set forth in the transport policy. The transport policy can be consulted online in the [Private Space](#).

Items Delivered Disassembled

Some items are delivered disassembled, such as empty desks, empty returns, bridges, arched tables, D, P or Q tables, lateral tables, end tables, hook tables, corner tables and extended-corner tables.

Warranty

Logiflex guarantees to the original purchaser that Logiflex products are free from defects in design, materials and workmanship for the product's lifetime, with certain exceptions.

You may consult the full warranty on the website: [Logiflex Warranty](#)

Introduction

Manufacturing Standards

Product Dimensions

The dimensions of the adjustable tables are exact. For storage, the dimensions indicated in the price list are rounded to the nearest inch in order to simplify the display. In fact, the actual dimensions are slightly smaller than the displayed dimensions for display purposes.

Handles

Handles are included with all storage furniture. The standard is H052SN. Please refer to the Logiflex accessories selection at the end of this price list on [p. 32](#).

Pedestals

All drawers are made of black Medium density fiberboard (MDF) with an average thickness of 7/16".

Drawer Fronts



A PVC strip 1.5 mm thick is systematically applied along all drawer front edges.

Levelers

All furniture items sit on 1" in diameter, white nylon levelers, allowing for up to 1-1/4" height adjustment.

Colors

Colors have to be specified for all furniture items ordered. Consult the "How to Order" section on the product page for further details about the procedure. Consult the [Logiflex Colors and Finishes Guide](#) for the colors and finishes offered. Unless indicated otherwise in the order, the PVC edge will match the color and finish specified.

SERIES	PREVIEW	COMPONENT	MATERIAL	EDGES / MOLDING
EP		1" surface	Thermofused laminate (TFL) - 1" high-density particle board.	1.5 mm polyvinyl chloride (PVC)
		Front, back and modesty	Thermofused laminate (TFL) - 5/8" high-density particle board.	1.5 mm polyvinyl chloride (PVC) on showing surfaces and 0.5 mm polyvinyl chloride (PVC) on non-showing surfaces.

How to Use the Price List

Interactive Menu
 Product line → Height Adjustable Tables
 Product group → Rectangular Tables
 Product name → T
 Product code → T

Product image → [Image of a height adjustable table]

Navigation buttons
 Previous View
 Previous Page
 Next Page
 Product Map
 Table of Contents

Product-specific manufacturing standards
Manufacturing Standards
 Elevation Plus table with electric height adjustment:
 • 1" laminate rectangular top;
 • Two telescopic "T" legs (3 sections), on levelers. Metal finishes: Black or satin nickel;
 • Adjustment range: 24-1/2" to 50" H;
 • Multi-engine system with collision detector;
 • Maximum weight load: 320 lbs;
 • Programmable control keypad with up / down adjustment control, 3 memory settings and digital height display. The keyboard can be installed on the left or on the right;
 • Support bar;
 • Assembly required.
 Maximum height of under the desk storage: 19-1/2"
Screen or modesty: To add a divider screen or modesty panel, see p. 17
Technical Information: For full specifications see p. 9

Additional Product Information and Notes

Illustrated options
Options
 Cutout for wires (WAVC \$21)
 Grommet/Connectivity (C-PF \$21 ea., A \$320, B/C \$320, D \$320)
 Wireless Charger (QIBL \$498)

Navigation Buttons (when blue)

Ordering instructions
How to Order

EP	AB	T	BL SN (std)	WAVC (std) NWAV	NGR (std)	GRL GRC GRL GLE MH3A MH3B MH3C MH3D	L C R LR	QI (Appx. B) QIBLA QIBLB
series	dimensions	product	leg finish	cutout (Appx. B)	grommet position	connectivity+position (Appx. B)		QI (Appx. B)
Example EP	2958	T	SN	NWAV	GRC	MH3BR		QIBLA

 February 19, 2021 LOGIFLEX | ELEVATION PLUS 19

Prices
 Dimensions
 A B
 23 46 ****
 23 52 ****
 23 58 ****
 23 64 ****
 23 70 ****
 29 46 ****
 29 52 ****
 29 58 ****
 29 64 ****
 29 70 ****

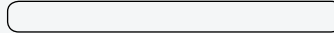
Prices
Dimensions

Blue text hyperlink

Standard Product Code
 Details as per the price listed

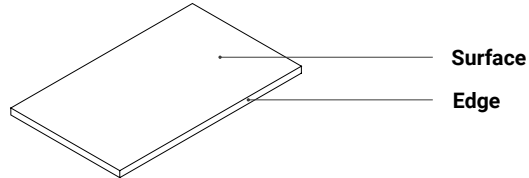
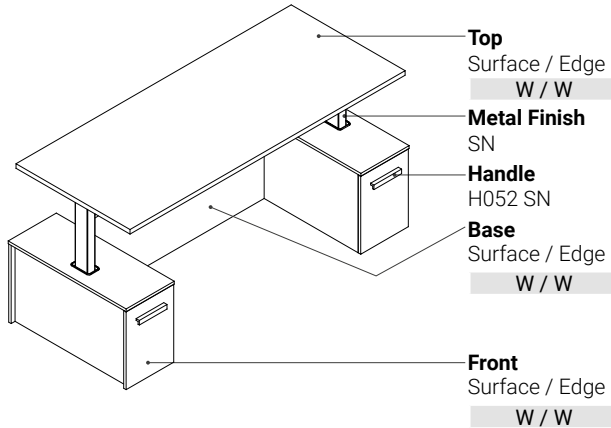
Options, if desired (\$)
 Always after the product code

Introduction



Appendix A: Colors and Finishes

How to specify your laminate colors



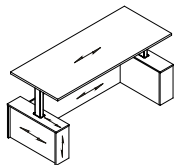
Metal Finishes

- SN** Satin Nickel
- BL** Black

Metal plates finishes

- SN** Satin Nickel
- BL** Black

Wood Grain



The wood grain is matched lengthwise on the desk surfaces, on the side legs and on the modesties. The wood grain is vertical on the fronts and surfaces of the laminate cases. See the illustration for the direction of the wood grain.

Availability Chart

FINI FINISH	CODE	COLOR COULEUR	THICKNESS ÉPAISSEUR			HPL STRATIFIÉ	PANVAL CODE
			5/8"	1"	1-5/8"		
OMNIA	DOO	Dosha	•	•		•	K77
	COO	Cosmos	•	•		•	K78
AURA	GIA	Ginger Root Gingembre	•	•		•	H72
	HAA	Haze Brume	•	•	•	•	H57
	OHA	Ohm	•	•	•	•	K69
	STA	Storm Tempête	•	•	•	•	H58
	TUA	Tundra	•	•		•	H75
LYRA	ASY	Asha	•	•		•	K47
	CIY	Chiffon Mousseline **	•	•	•	•	K60
	KAY	Kali	•	•		•	K46
SUPERMAT	IGS	Ingot grey Gris lingot	•	•			828
	WGS	Willow grey Gris saule	•	•			802
DOLOMITE	AU	Audacity Audace **	•	•	•	•	241
	B	Jet Black Noir intense *	•	•		•	888 S405-CA
	BC	Brown cherry Cerisier brun	•	•	•	•	207
	C	Slate Ardoise *	•	•		•	801
	DR	Driftwood Bois de rive	•	•		•	744
	G	Mink Grey Gris vison	•	•		•	805 OU-927
	NM	Natural Maple Érable naturel	•	•	•	•	206
	PO	Porto	•	•		•	913 OU-648
	SW	Smoked Walnut Noyer fumé	•	•	•	•	G21
	TO	Tobacco	•	•		•	205
HIGH GLOSS SUPER LUSTRE	W	Polar White Blanc polaire	•	•	•	•	555 459-CA
	WK	Whisky	•	•	•	•	245
	W-H	Polar White - fronts Blanc polaire - façades	•				

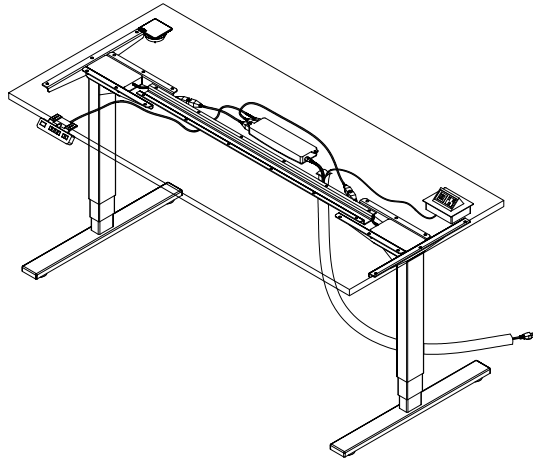
* Non recommended color for work surfaces.
Colors may vary from 2% to 5% between tfl and hpl laminates due to different technical applications.

See our complete [Colors & Finishes Guide](#)

New

Introduction

Appendix B : Elevation Plus adjustable tables



Elevation Plus height adjustable tables have a metal base with 3 sections and a satin nickel or black finish and a modern design that complements the styles of Logiflex's collections.

Features of the 3 section telescoping T legs

- 3 section rectangular telescoping column, 2"W x 3 1/8"D centered in leg;
- Base: 2 3/4"W x 1 1/2"H, available in 2 depths: 23 1/2" ou 27 1/2";
- Metal with black or satin nickel finish;
- Short levelers allow for stability adjustment only. Long levelers allow for a 1 1/4" adjustment.

Support bars

Tables come with one or several black support bars.

Cable ties

Four ties are provided with the base to tie cables beneath the top.

Electric height adjustment

- Height adjustable from 24-1/2" to 50"H, including the 1" top;
- Operating speed: 1-1/4" per second;
- Usage cycle: 2 min of continuous movement for 18 min of rest;
- Sound level: 42 dB;
- Collision detector:
 - 12 kg and up when desk is being raised;
 - 9 kg and up when desk is being lowered;
- Load capacity (including the weight of the work surface) :
 - Table only (2 legs): 320 lb;
 - Table with return (3 legs): 400 lb;

⚠ *Beyond this capacity, the table will not function properly*

- Weight of the work surfaces:
 - Rectangular Table: ranges from 25 lb (11 kg) to 47 lb (22 kg);
 - L shape Table: ranges from 50 lb (23 kg) to 73 lb (33 kg).

Electrical specifications

- Power cord with ordinary wall plug;
 - 2 legs: 70" without ground;
 - 3 legs: 118" with ground;
- Cord length from controller 60";
- Low standby power consumption;
- UL-certified (CAN-US).

⚠ *3.25 A/120 V, 60 Hz. Maximum 4.8 A.
We recommend a maximum of 3 tables on a 15 A circuit.*

- 3 tables on the same circuit 15A.
- 4 tables on the same circuit 20A.

Weight

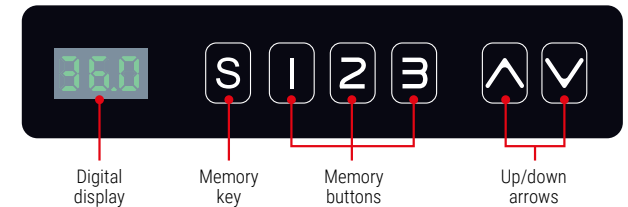
- Total weight of the 2 leg basic assembly: 56 lb.
- Total weight of the 3 leg basic assembly: 83 lb.

Standards and certifications

- Complies with ANSI / BIFMA X5.5-2014
- UL-certified (CAN-US)

Programmable keyboard

- Digital height display;
- 3 programmable settings;
- Up/down adjustment control;
- The keyboard can be installed on the drawer front, under the top, on left or right.



User manual summary

Memorize heights

1. Use the or arrows to reach the desired height.
2. Press . The height will blink.
3. Then press a number (, or) to save the height to the chosen button.
4. To use the memorized height, press the corresponding nu

Reset the table

1. Press and hold until the table is at the lowest height.
2. Release when RST appears and the lowest height is displayed.

The full manual is available on Logiflex's website.

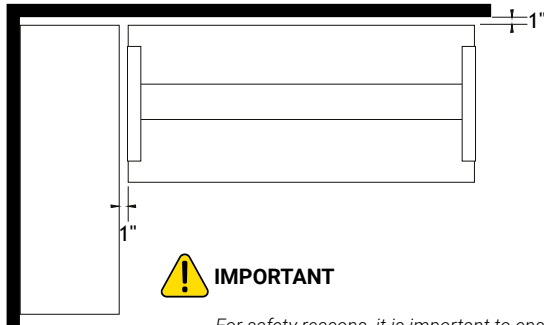
Introduction

Appendix B : Elevation Plus adjustable tables (cont.)

Clearance with surrounding walls furniture

The dimensions on the price list for Elevation Plus tables are exact. The tops are 1" less in depth and 2" less in width than the other collections.

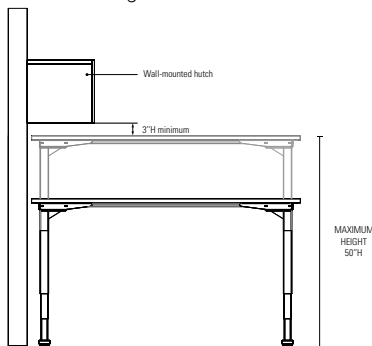
The 1" clearance created when the table is surrounded by partitions, divider screens or a panel system prevents fingers from getting caught in the mechanism when it is activated.



IMPORTANT
For safety reasons, it is important to ensure a 1" clearance on all sides of the Elevation Plus table.

Vertical clearance with furniture above

A space of at least 3" between the bottom of the hutch and the top of the adjustable table is recommended when the table is at its maximum height.



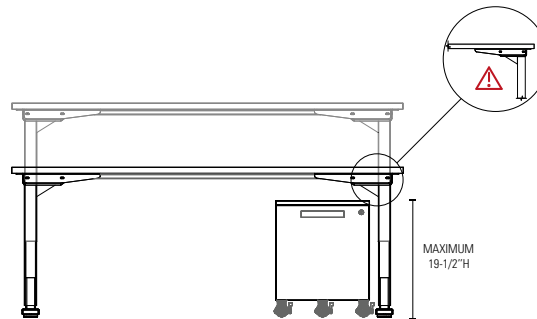
Interior vertical clearance

The interior clearance refers to the free space beneath the structural beams of the adjustable table when it is set to its lowest height.

To ensure that the adjustable table is compatible with a mobile pedestal, a credenza or any other storage unit, check the height of the storage unit.

The following products may be placed under the Elevation Plus table:

- Level: Mobile pedestal MOBC, low pedestal (without cushion);
- Volt: Mobile pedestal MOBC, low pedestal.

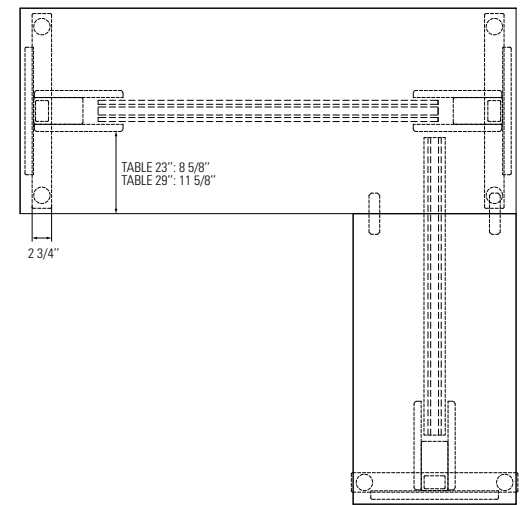


Position of legs

Below are the leg clearances depending on the top clearance:

- 23"D top = 23½" leg
- 29"D = 27½" leg

*For 23"D tops, the leg protrudes ¼" from each side of the top.



IMPORTANT

Undermount divider screens are incompatible with Elevation Plus legs, as they interfere with the legs and encroach on the 1" clearance required around the table.

Logiflex recommends using undermount screen dividers such as the SAS, SMS and SBS models.

Introduction

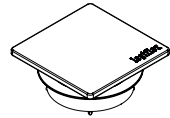


Appendix C: Grommet and Connection Unit

Several connectivity options can be added to the surfaces of Elevation Plus tables.

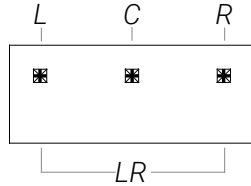
Note: 2 different units cannot be in the same position. For example, there cannot be a connection unit and a grommet on the left.

Grommet



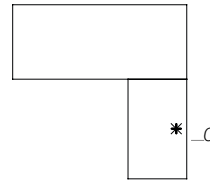
C_PF

Square metal grommet in satin nickel, chrome and black finish



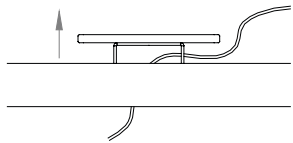
Position : L, C, R, LR

Main surface



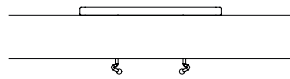
Position : C

Return



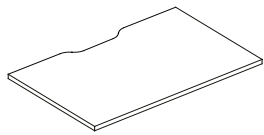
Open position

Allows wire management



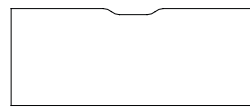
Closed position

Cutout for wires



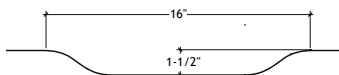
WAVC

Wire management cut-out

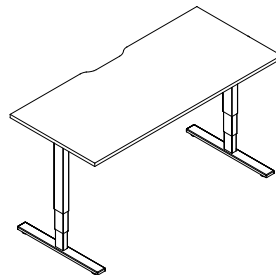


C

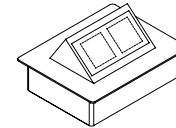
Position: C



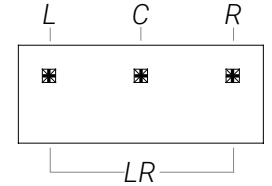
Dimensions



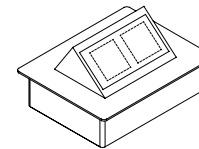
Connection Unit



MH3

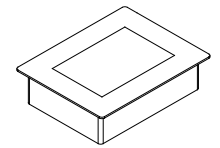


Position : L, C, R, LR



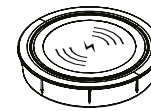
Open position

Push to open



Closed position

Wireless Charger

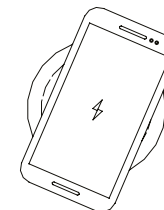


QIBL



A

B



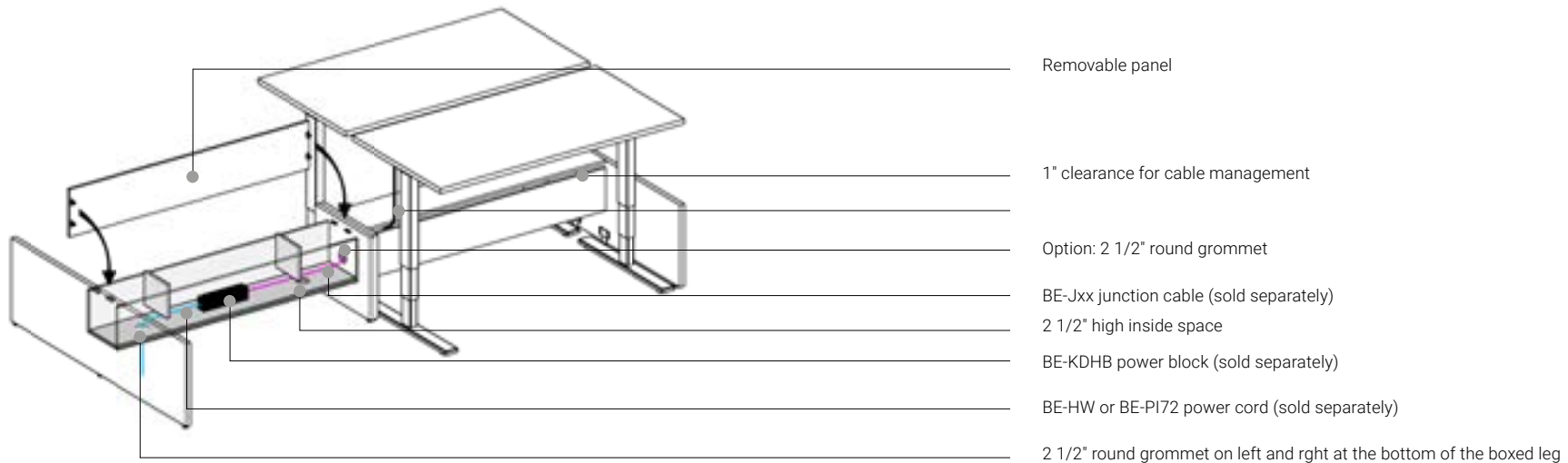
Charges Qi capable devices



Appendix D : Elevation Plus Power Beam

Power beam are visually pleasing, portable solution to organize power and network cables when a cluster of height adjustables tables is divided into several workstations. Power Beams are suited to either single or double (face-to-face) configurations.

⚠ Not compatible with desk add-ons for executive offices, such as laminate complements, shells and modesty panels.



Recommendations for specifying Power Beams

Guidelines for using Power Beams:

- For use along the length of rectangular or L shaped Elevation Plus tables. Do not use in the same direction as the return.
- Designed to leave a 1" clearance around the sides of the table to prevent pinching.
- Not compatible with desk add-ons for executive offices, such as laminate complements, shells and modesty panels.
- Not compatible with Level screens (modesty panels).
- A single power beam cannot be connected to a double power beam. The grommets will not align.
- Warning: We cannot install the BE-DBSM 2-sided block in the power beams. This block is too large and sockets will not be accessible.

Introduction

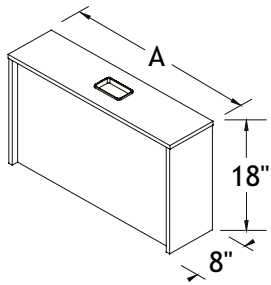


Appendix E : Laminate complements - Executive office

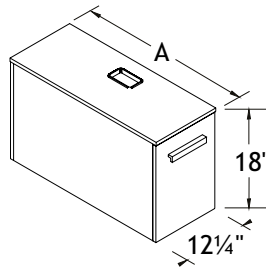
Components can be added to hide one or more legs of an Elevation Plus table.

- All of the components are specified separately to give you greater flexibility.
- These components are 18" high in order to leave a clearance beneath the top of the adjustable tables structure when they are set to the lowest position.
- Warning : *e, les coquilles et les modesties ne sont pas compatible avec la poutre d'alimentation.*

Individual shroud



Individual shroud

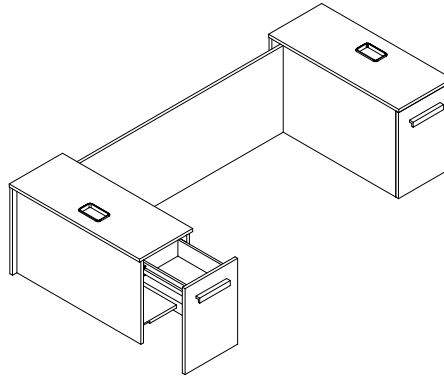


Individual shroud with drawer

Information about individual shroud:

- 2 models available:
 - Individual shroud (8"W), right or left;
 - Individual shroud with drawer (12¼"W), right or left.
- 2 depths:
 - 25", for 23" tops;
 - 30", for 29" tops.
- The nestle is finished with a plastic end plate matching the colour of the metal leg.

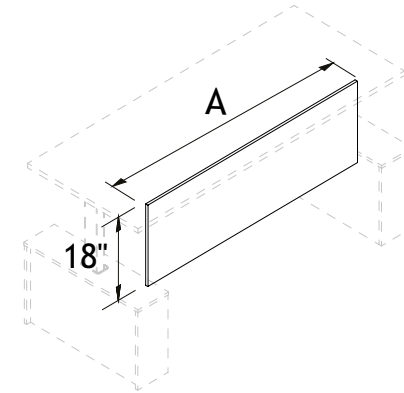
Shells



Information about shells:

- The shells are designed to be compatible with rectangular tables with a width of 52"W or more.
- 2 models available:
 - 2 individual shrouds (8"W) and fixed modesty panel;
 - 2 individual shrouds with drawer (12¼"W) and fixed modesty.
- 2 depths:
 - 25", for 23" tops;
 - 30", for 29" tops.
- The nestle is finished with a plastic end plate matching the colour of the metal leg;
- *L shaped tables: The shells can only be used on the main work surfaces.*

Undermount modesty panel



Information about laminate modesty panels:

- Modesty panels are designed to be compatible with tables with shells or with 2 individual shrouds;
- 2 models available:
 - Modesty panel for 2 individual shrouds (8"W);
 - Modesty panel for 2 individual shrouds with drawer (12¼"W).

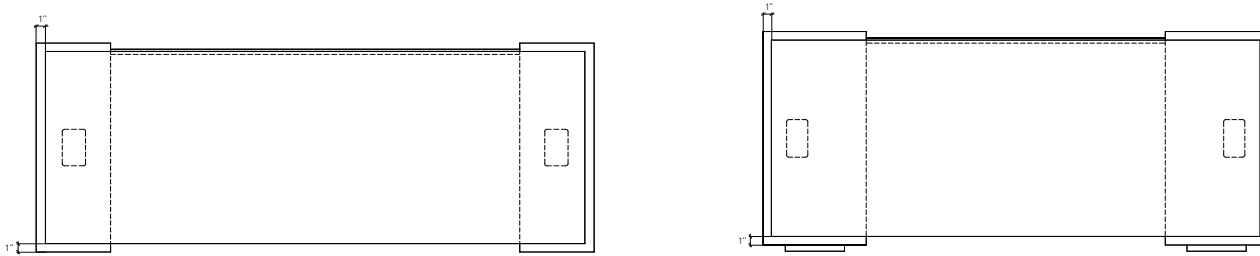
Introduction



Appendix E : Laminate complements for executive office (cont.)

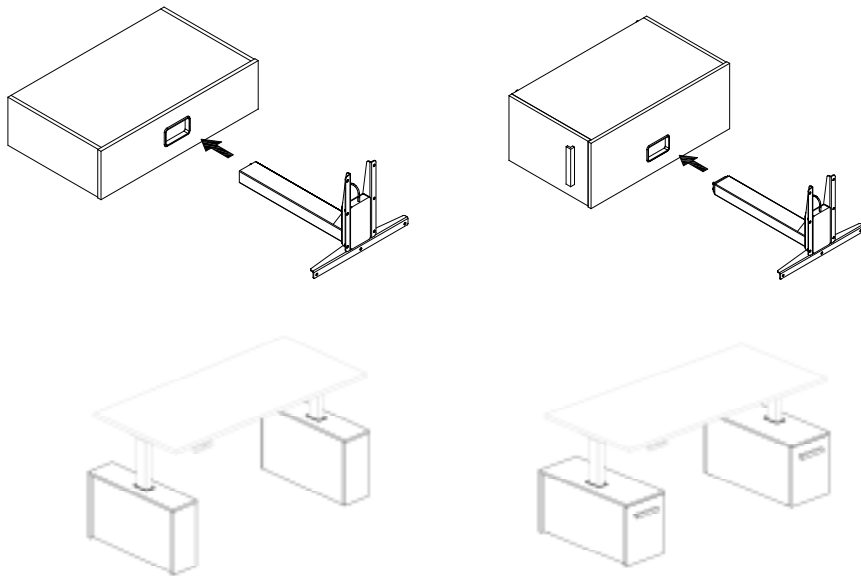
Positioning

The individual shrouds are designed to protrude 1" from the sides and front of the table to ensure a clearance around the top when the table is placed against a wall or another piece of furniture.

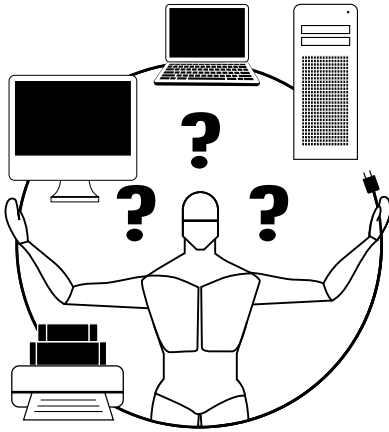


Shroud detail

Elevation Plus add-on modules are designed with a space inside to hide the metal leg. A plastic trim cover of 2 1/2" x 4 3/8" matches the satin nickel or black metal finish.



Appendix F: Calculation/Use of Electrical Components



An Introduction to Calculation and Use of Electrical Components

Most people are uncomfortable with anything related to electricity. This step-by-step guide is intended for people who are not familiar with electrical installations but who have to specify what system they need when ordering furniture. In this guide, you will learn how to choose and specify the electrical components required for your projects. The list that follows illustrates and identifies each product and describes its applications.

The electrical components are all recognized by the Underwriters Laboratory (UL) as office furniture accessories and are manufactured according to Canadian Standards Association (CSA) and UL electrical standards.

Note: All electrical connections must be performed by a certified electrician.

By following these 3 simple steps, you can easily determine the number of circuits required to ensure safe use of your electrical system.

1. Determining the Number of Amperes Required
2. Calculating the Total Amperes
3. Determining How Many Circuits You Need

STEP 1: Determining the Number of Amperes Required

What is Amperage

An Ampere (Amp or A) is a unit for measuring the rate at which electric current flows. All electrical equipment has an amperage rate. By following these few simple steps, you can easily determine the number of circuits required to ensure safe use of your electrical equipment.

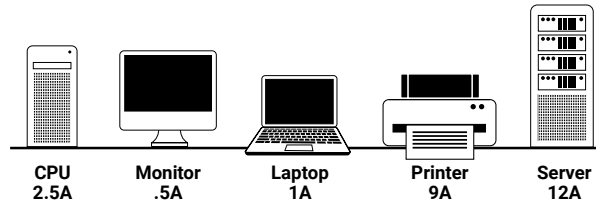
Determine the Number of Amperes Required

On your computer or other electric devices (ie: monitor, central processing unit, printer) find the plate that provides the technical specifications as follows:

Input: 120V - 1.8A.

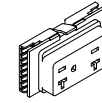
If you cannot locate this information on the machine, you will probably find it in the user manual.

Here are a few examples of how many Amps some equipment may consume. Please note that these are examples and the number of amperes may vary from one machine to another.



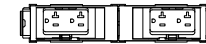
Electrical System Capacity

Our electrical system is designed for circuits of 20 amps each. This includes electrical components such as computers, printers, laptops, monitors, server or other devices.

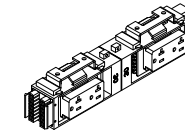


20A

A single Duplex has a maximum capacity of 20 A



Each power block can hold 2 Duplex



Each power block can hold 4 Duplex



If the duplexes are connected to the same circuit, the capacity is divided between them. For example, 3 duplexes connected to the same circuit have a total capacity of 20A.

Introduction

Appendix F: Calculation/Use of Electrical Components (cont.)

STEP 2: Calculating the Total Amperes

Add the Amperes

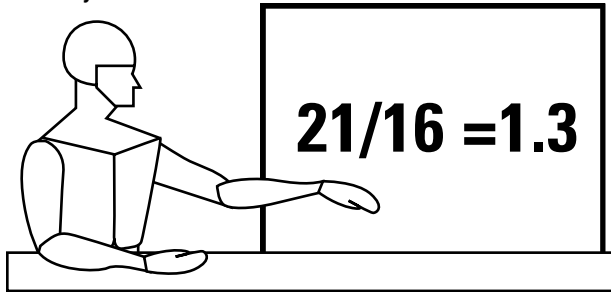
Add the number of amps for each machine. In our example, there are 4 CPUs at 2.5A per computer, 4 monitors at 0.5A and one printer at 9A.



$$2.5A + .5A + 2.5A + .5A + 2.5A + .5A + 2.5A + .5A + 9A = 21A$$

The total number of amperes used in this example equals to 21A.

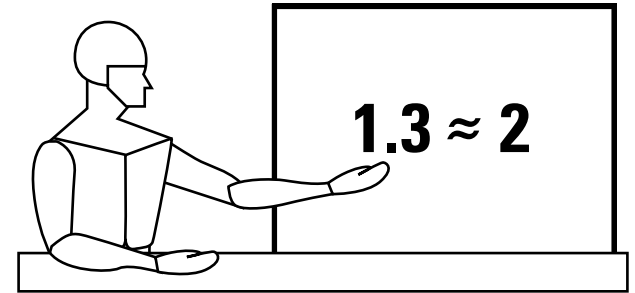
Divide by 16



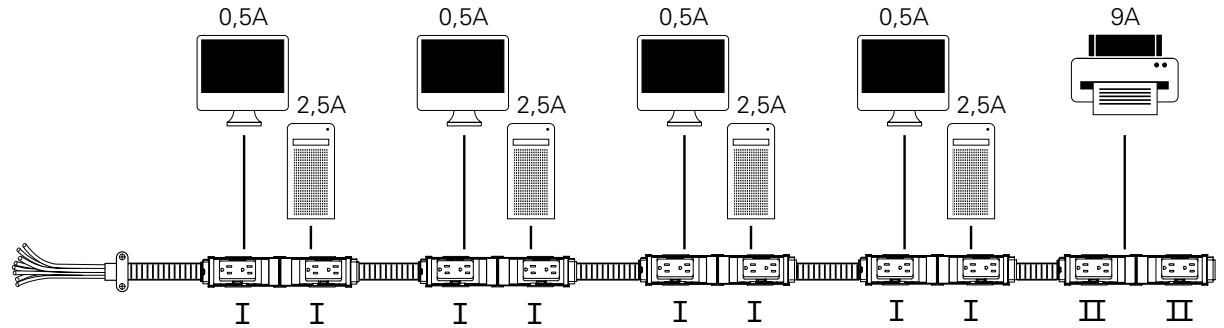
Most machines and computers used in offices or schools are used continuously for many hours at a time. In this type of situation, national electrical codes usually limit circuits at 80% of their capacity of continuous use. Our electrical system is designed for circuits of 20 amps each. So 80% of 20A is 16 Amps. You must therefore divide the total number of amperes calculated by 16.

STEP 3: Determining How Many Circuits You Need

In most cases, this number will contain decimals. Round up to the next whole number, and this will be the number of circuits required for your equipment to run safely. If the number obtained is higher than 4 (the maximum number of circuits for a system), you must reduce the total amperage or add another electrical system. Continuing with our example, the 1.3A is rounded up to 2A.



Here is one possible configuration. Using 5 power blocks joined together with junction cables, only 2 circuits are being used. The 4 workstations would be on the first circuit for a total of 16 amps. The printer would be on the second circuit.

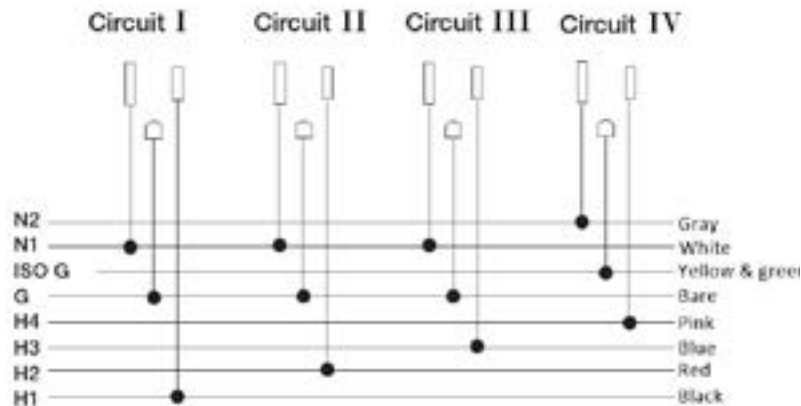
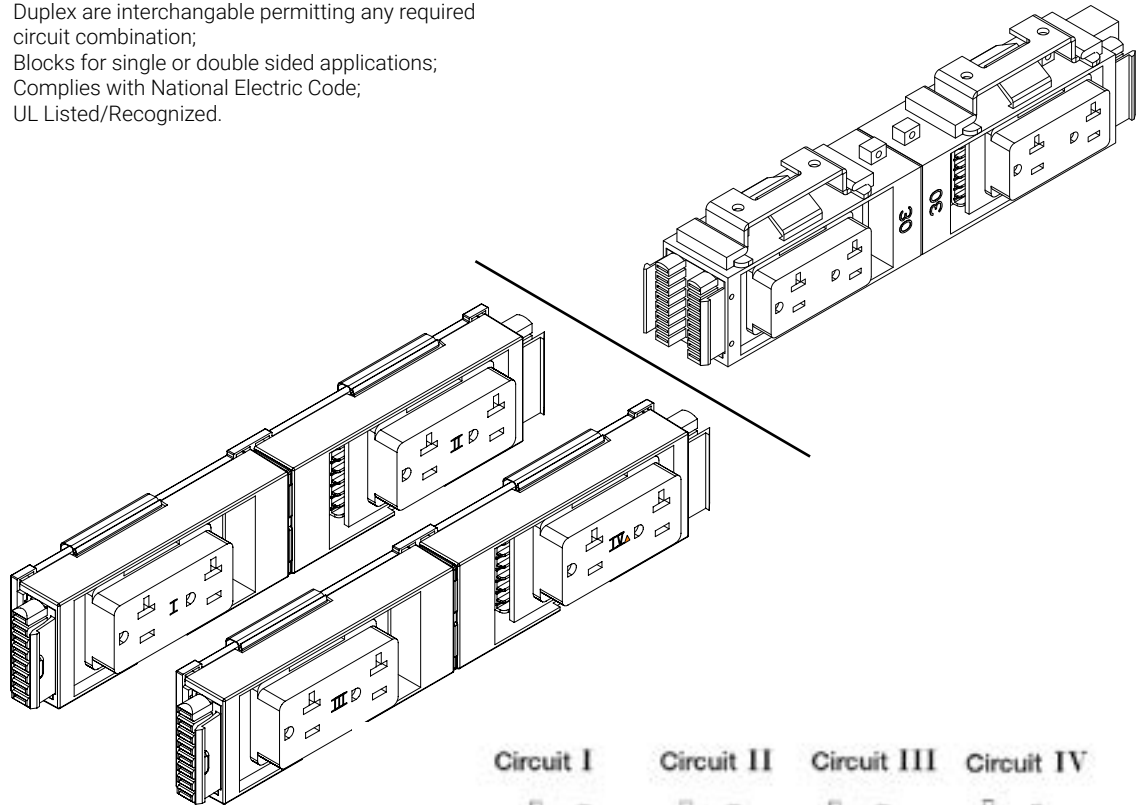




Appendix F: Calculation/Use of Electrical Components (cont.)

8 Wire, 4 Circuit (3+1) Power Block

- Duplex are interchangeable permitting any required circuit combination;
- Blocks for single or double sided applications;
- Complies with National Electric Code;
- UL Listed/Recognized.



Starter Cable with Hardwire



- 4 circuit starter cable with hardwire at one end;
- 4 circuits rated for 20 AMP each;
- Available in lengths from 12" to 180";
- Whip end to be connected to building power by an electrician.

Starter Cable with Plug



- 1 circuit starter cable with 20A electrical plug;
- Circuit rated for 20 AMP;
- Available in lengths from 36" to 180".

Junction Cable



- 4 circuit cord;
- All circuits rated for 20 AMP;
- Available in lengths from 12" to 216".

Introduction



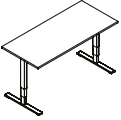
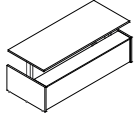
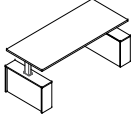
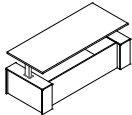
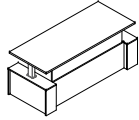



Appendix G: Divider Screens

Level dividers may be compatible with certain products in the Elevation Plus collection. To order divider screens, refer to the [Screens](#) section of the Level price List.

Divider screen to be used across the width

How to specify:

- Order the same size as the table. For example, for a 29" x 70" table, you need to order a 70" wide divider screen.
- Use the price of the higher dimension in the price list.

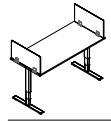
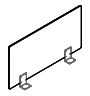
					
	✓	✓	✓	✓	X**
	✓	X	X*	X	X
	✓	X	X*	X	X

*It is possible to use this type of divider screen by choosing a width that allows it to be inserted between the shrouds.

Divider screen to be used on the sides

How to specify:

- Order the same size as the table side dimension. For example, for a 29" x 70" table, you need to order a 29" wide divider screen.
- Use the price of the higher dimension in the price list.

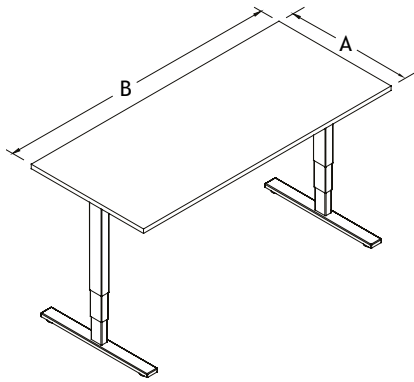
	✓	✓	✓	✓	✓
	X	X	X	X	X

*It is not possible to use this type of divider screen, since the clips conflict with the metal legs of the adjustable tables.

Height Adjustable Tables

Rectangular Tables

T



Manufacturing Standards

Elevation Plus table with electric height adjustment:

- 1" laminate rectangular top;
- Two telescopic "T" legs (3 sections), on levelers. Metal finishes: Black or satin nickel ;
- Adjustment range: 24-1/2" to 50" H;
- 2-motor system with collision detector;
- Maximum weight load: 320 lbs;
- Programmable controller with up / down adjustment control, 3 memory settings and digital height display. The controller can be installed on the left or on the right;
- Support bar: for 64" and more;
- Assembly required.

Maximum height of under the desk storage: 19-1/2".

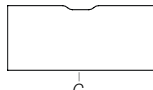
Grommets are recess back 5-1/2".

Note: The dimensions of the surfaces are reduced by 1" in order to leave a clearance of 1" on the sides and in front.

Screen or modesty: To add a divider screen or modesty panel, see p. 19

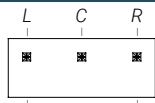
Technical Information: For full specifications see p. 10

Options



Cutout for wires

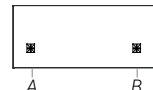
\$26 ea.



Grommet/Connectivity



\$26 ea. \$397 \$397 \$397



Wireless Charger



\$617

How to Order

EP	AB	T	BL WH SN (std)	WAVC NWAV (std)	GRL GRC GRR GLR NGR (std)	MH3A MH3B MH3C MH3D	L R LR	QIBLA QIBLB
series	dimensions	product	leg finish	cutout (Appx. C)	grommet position	connectivity+position (Appx. C)	Qi (Appx. C)	
Example EP	2958	T	SN	NWAV	GRC	MH3BR	QIBLA	

Prices

Dimensions	
A	B
23 46	1717
23 52	1736
23 58	1756
23 64	1776
23 70	1794
29 46	1734
29 52	1754
29 58	1772
29 64	1792
29 70	1812

The dimensions are reduced in order to leave a clearance of 1" on all sides of the table to prevent finger pinching.

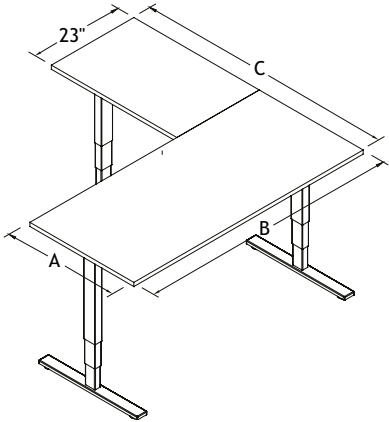
Standards dimensions: It is possible to order tables according to the standard dimensions (ex.: 30" x 60") at the same price as the reduced dimensions (ex.: 29" x 58").

Height Adjustable Tables

L-Shaped Tables

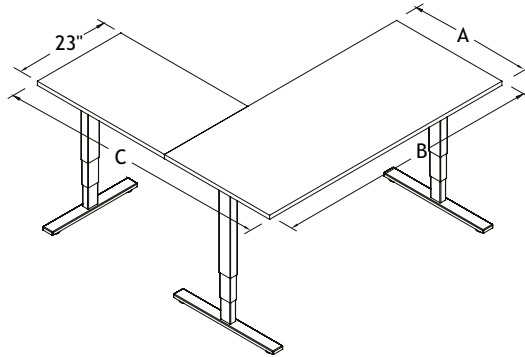
TRL

Return on Left



TRR

Return on Right



Manufacturing Standards

Elevation Plus L-shaped table with electric height adjustment:

- 1" laminate rectangular top with return;
- Three telescopic "T" legs (3 sections), on levelers. Metal finishes: Black or satin nickel ;
- Adjustment range: 24-1/2" to 50" H;
- 3-motor system with collision detector;
- Programmable controller with up / down adjustment control, 3 memory settings and digital height display. The controller can be installed on the left or on the right;
- Maximum weight load: 400 lbs;
- Support bar : for 64" and more;
- Assembly required.

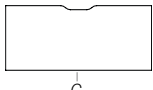
Maximum height of under the desk storage: 19-1/2".

Grommets are recess back 5-1/2".

Screen or modesty: To add a divider screen or modesty panel, see p. 19

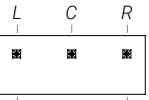
Technical Information: For full specifications see p. 10

Options



Cutout for wires

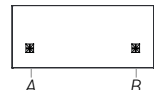
\$26 ea.



Grommet/Connectivity



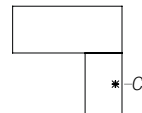
\$26 ea. \$397 \$397 \$397



Wireless Charger



\$617



Return Grommet

GRC

\$26 ea.

How to Order

EP	ABC	TRL TRR	BL WH SN (std)	WAVC NWAV (std)	GRL GRC GRR GLR NGR (std)	MH3A MH3B MH3C MH3D	L C R LR	QIBLA QIBLB	GRC NGR (std)
series	dimensions	product	leg finish	cutout (Appx. C)	grommet position	connectivity+position (Appx. C)	Qi (Appx. C)	return grommet	
Example	EP	235858	TRL	SN	NWAV	GRC	MH3BR	QIBLA	NGR

Prices

Dimensions			
A	B	C	
23	58	58	2645
23	58	64	2664
23	58	70	2685
23	64	58	2660
23	64	64	2681
23	64	70	2699
23	70	58	2674
23	70	64	2693
23	70	70	2714
29	58	64	2676
29	58	70	2695
29	58	76	2717
29	64	64	2693
29	64	70	2714
29	64	76	2733
29	70	64	2712
29	70	70	2731
29	70	76	2752

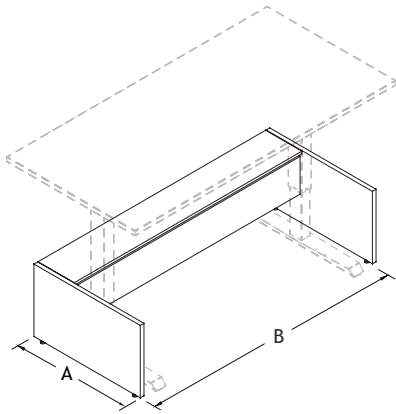
The dimensions are reduced in order to leave a clearance of 1" on all sides of the table to prevent finger pinching.

Standard dimensions: It is possible to order tables according to the standard dimensions (ex.: 30" x 60") at the same price as the reduced dimensions (ex.: 29" x 58").

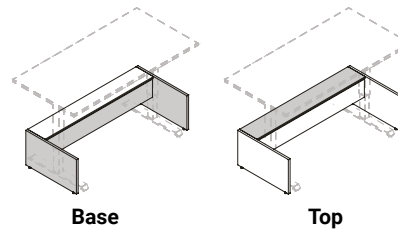
Power beams

Power Beam - 1 side

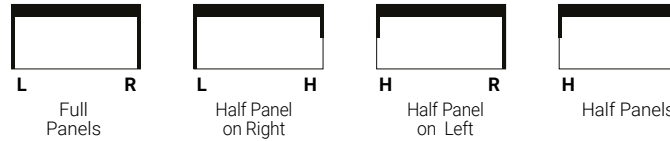
SBEAM



Color Combinaison



Panel Type



Manufacturing Standards

Single power beam - access 1 side:

- Removable 1" melamine panel on top;
- Gap under the surface of 1" on one side, lengthwise, for cable exit;
- Interior dimensions 9-3/8" x 7-1/2"H for power blocks and cables;
- 2 laminate side panels on white levelers;
- Positioning brackets. Metal finish satin nickel or black;
- Height: 18"H;
- Assembly required.

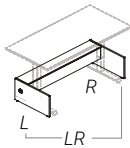
Note: The laminate beam is designed to be used with the bases of the Elevation Plus collection only.

Fabric Sleeve: To camouflage the cables from the surface, see fabric sleeves p. 41.

Electricity: see p. 35 or Appendix D.

Options

Leg Grommet



PGR
0\$

How to Order

EP	AB	SBEAM	BL WH SN (std)	HH LH HR LR (std)	PGR L PGR R PG LR PNGR (std)	
series	dimensions	product	metal	panel type	leg grommet	
Example	EP	2553	SBEAM	SN	LR	PNGR

Prices

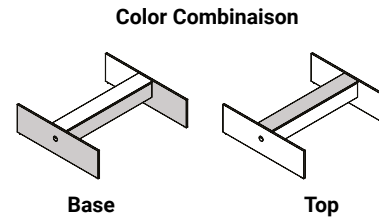
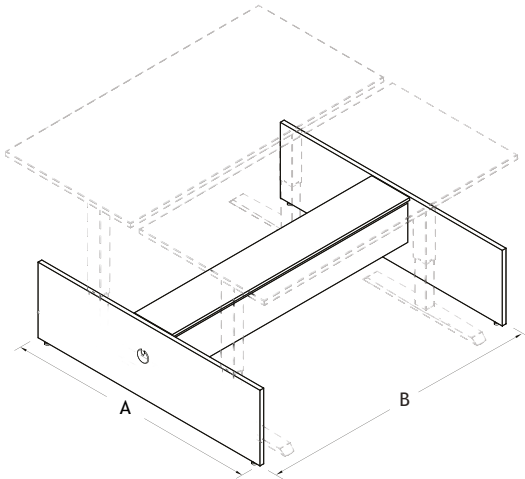
Dimensions		For tables of:
A	B	
25 47	646	23x46
25 53	664	23x52
25 59	680	23x58
25 65	698	23x64
25 71	715	23x70
<hr/>		
30 47	664	29x46
30 53	680	29x52
30 59	698	29x58
30 65	715	29x64
30 71	733	29x70

Standard dimensions: If you use tables with different dimensions than those shown above, please adapt the power beams accordingly. Example: For a 30" x 60" table, you will need to order a 31" x 61" power beam.

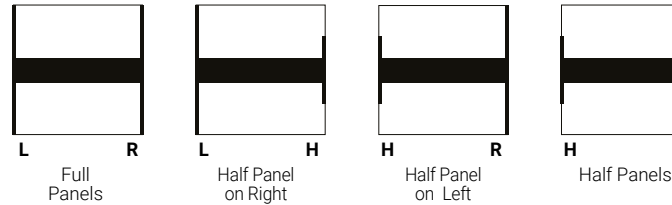
Power beams

Power Beam - 2 sides

DBEAM



Panel Type



Manufacturing Standards

Double power beam with access on 2 sides:

- Removable 1" melamine panel on top;
- Gap under the surface of 1" on both side, lengthwise, for cable exit;
- Interior dimensions 9-3/8" x 7-1/2"H for power blocks and cables;
- 2 laminate side panels on white levelers;
- Positioning brackets. Metal finish satin nickel or black;
- Height: 18"H;
- Assembly required.

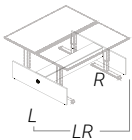
Note: The power beam (2 sides) is designed to be used with Elevation Plus tables and in face-to-face layout only.

Fabric Sleeve: To camouflage the cables from the surface, see fabric sleeves p. 41.

Electricity: see p. 35 or Appendix D.

Options

Leg Grommet



PGR
0\$

How to Order

EP	AB	DBEAM	BL WH SN (std)	HH LH HR LR (std)	PGR L PGR R PG LR PNGR (std)	
series	dimensions	product	metal	panel type	leg grommet	
Example	EP	4971	DBEAM	SN	LR	PNGR

Prices

Dimensions		
A	B	For tables of:
49 47	881	23x46
49 53	899	23x52
49 59	917	23x58
49 65	933	23x64
49 71	951	23x70
<hr/>		
59 47	899	29x46
59 53	917	29x52
59 59	933	29x58
59 65	951	29x64
59 71	968	29x70

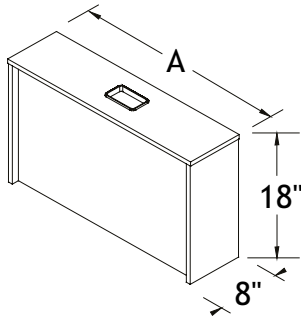
Standard dimensions: If you use tables with different dimensions than those shown above, please adapt the power beams accordingly. Example: For a 30" x 60" table, you will need to order a 61" x 61" power beam.

Desk complements

Individual Shroud

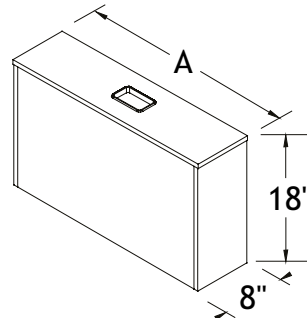
SL

Shroud on left

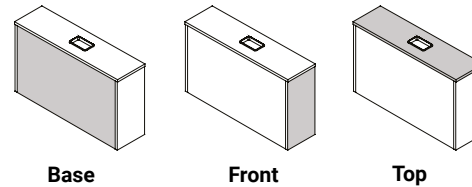


SR

Shroud on right



Color Combinaison



Manufacturing Standards

Individual shroud:

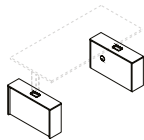
- Laminate construction;
- Plastic trim cover. Color matching metal finishes: Black or satin nickel ;
- To install on the left or the right;
- Outer panel of shroud is recessed 1";
- Height: 18".

25"D Shroud: to use with 23"D table.

30"D Shroud: to use with 29"D table.

Options

Leg grommet (inside side)



PGRI
\$0

Prices

Dimensions

Dimensions	
A	
25	580
30	589

How to Order

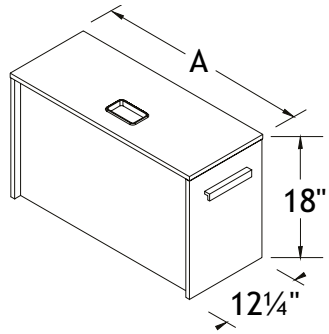
EP	A	SL SR	WH BL SN (std)	PGRI PNGR (std)
series	dimensions	product	trim cover	leg grommet (inside side)
Example EP	25	SL	SN	PNGR

Desk complements

Individual Shroud with Drawers

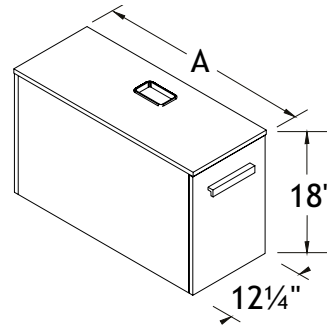
UL

Shroud on left

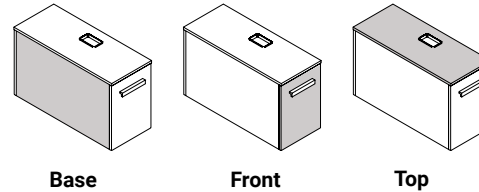


UR

Shroud on right



Color Combinaison



Manufacturing Standards

Individual shroud:

- For use with Elevation Plus T leg;
- Utility drawer;
- Satin nickel H052 metal handle;
- Plastic trim cover. Color matching metal finishes: Black or satin nickel ;
- To install on the left or the right;
- Outer panel of shroud is recessed 1";
- Height: 18".

25"D Shroud: to use with 23"D table.

Drawer interior dimensions: 8"W x 9 1/8"D x 3 1/4"H.

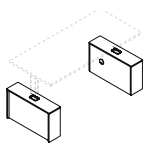
30"D Shroud: to use with 29"D table.

Drawer interior dimensions: 8"W x 11 1/8"D x 3 1/4"H.

Handle: Specify if different handle desired (no extra charge, see p. 32). *Not compatible handles: H011, H060, H070 and SXP002.*

Options

Leg grommet
(inside side)



PGRI
\$0

Lock



\$43 ea.

Prices

Dimensions

Dimensions	
A	
25	695
30	704

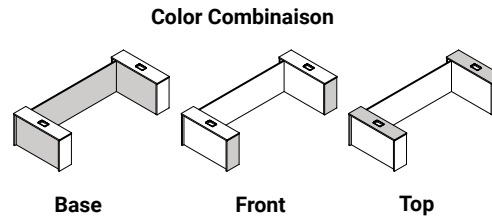
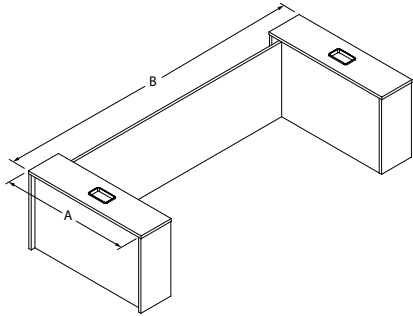
How to Order

EP	A	UL UR	WH BL SN (std)	PGR 1 PNGR (std)	H052SN	LKBL LKSN
series	dimension	product	trim cover	leg grommet (inside side)	handle	lock (p. 34)
Example EP	23	UL	SN	PNGR	H052SN	LKSN

Desk complements

Shells

SS



Manufacturing Standards

Elevation Plus shell:

- For use with Elevation Plus T leg;
- 2 laminate leg covers 8"W x 18"H;
- Fixed modesty panel;
- Plastic cover plate color to match metal: black or satin nickel;
- Assembly required.

Shell 25"D: 3/4" recessed modesty.
Shell 30"D: 2 5/8" recessed modesty.

Note: Shells can be used on 52"W tables and more.
Electricity: see p. 35.

Options

Leg Grommet

PGRI
\$0

How to Order

	AB		WH BL SN (std)	PGRI PNGR (std)
		SS		
	series	product	trim cover	leg grommet
Example	EP	2554	SS	SN
				PNGR

Prices

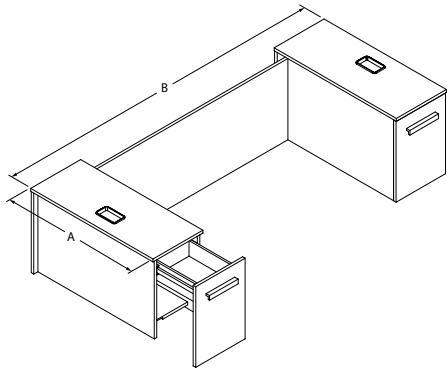
Dimensions		
A	B	For tables of:
25	54	1427
		52"
25	60	1443
		58"
25	66	1460
		64"
25	72	1478
		70"
<hr/>		
30	54	1443
		52"
30	60	1460
		58"
30	66	1478
		64"
30	72	1495
		70"

Standard dimensions: If you use tables with different dimensions than those shown above, please adapt the shells accordingly.
 Example: For a 30" x 60" table, you will need to order a 31" x 62" shell.

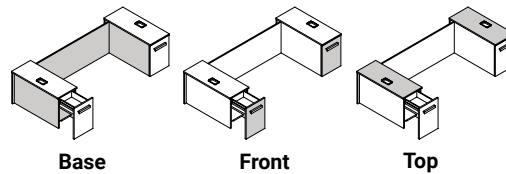
Desk complements

Shells

UU



Color Combinaison



Manufacturing Standards

Elevation Plus shell:

- For use with Elevation Plus T leg;
- 2 laminate leg covers with utility drawer 12 1/4" L x 18" H;
- Fixed modesty panel;
- Plastic cover plate color to match metal: black or satin nickel;
- Assembly required.

Shell 25"D: 3/4" recessed modesty.
Drawers interior dimensions: 8"W x 9 1/8"D x 3 1/4"H.

Shell 30"D: 2 5/8" recessed modesty.
Drawers interior dimensions: 8"W x 11 1/8"D x 3 1/4"H.

Note: Shells can be used on 52"W tables and more.
Specify if different handle desired (no extra charge, see p. 32).
Not compatible handles: H011, H060, H070 and SXP002.

Options

Leg Grommet

PGRI
\$0

Lock

\$43 ea.

How to Order

EP	AB	UU	WH BL SN (std)	PGR 1 PNGR (std)	H052SN	LKBL LKSN	
series	dimensions	product	trim cover	leg grommet	handle	lock (p. 34)	
Example	EP	2554	UU	SN	PNGR	H052SN	LKSN

Prices

Dimensions		
A	B	For tables of:
25 54	1653	52"
25 60	1671	58"
25 66	1688	64"
25 72	1703	70"
30 54	1671	52"
30 60	1688	58"
30 66	1703	64"
30 72	1722	70"

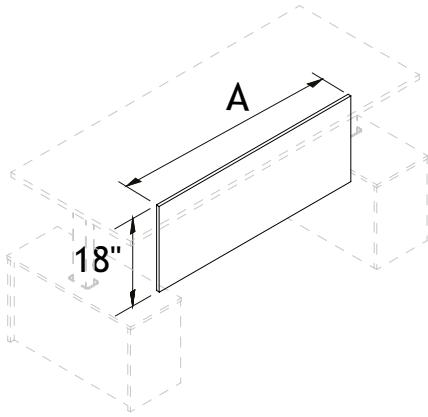
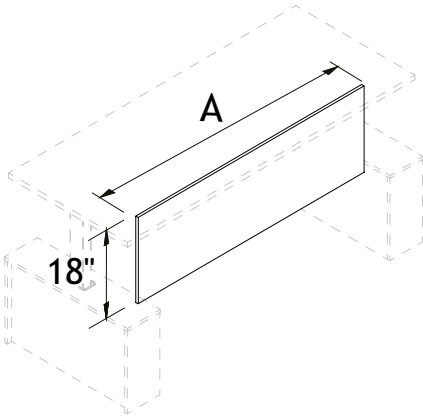
Standard dimensions: If you use tables with different dimensions than those shown above, please adapt the shells accordingly.
Example: For a 30" x 60" table, you will need to order a 31" x 62" shell.

Desk complements

Modesties for table with shrouds

SMSS

SMUU



Manufacturing Standards

Modesty for table with shrouds:

- 5/8" laminate panel;
- Under mount surface with metal supports, satin nickel or black finish;
- Height: 18"H;
- Assembly required.

SMSS: to use with 2 S shrouds or SS shell.
SMUU: to use with 2 U shrouds or UU shell.

Table 23": Modesty recess 7/8".
Table 29": Modesty recess 2 3/4".

Prices

Dimensions		For tables of:	
A			
37SMSS	135	52"	
43SMSS	155	58"	
49SMSS	168	64"	
55SMSS	173	70"	
<hr/>			
29SMUU	135	52"	
35SMUU	135	58"	
41SMUU	155	64"	
47SMUU	168	70"	

Standard dimensions: If you use tables with different dimensions than those shown above, please adapt the modesties accordingly.
 Example: For a 30" x 60" table, you will need to order a 37" modesty.

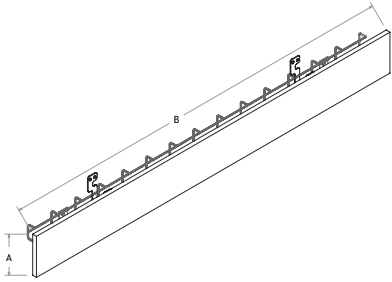
How to Order

EP	A	SMSS SMUU	WH BL SN (std)
series	dimension	product	metal
Example EP	37	SMSS	SN

Desk complements

Laminate Cover

CTCOVER



Manufacturing Standards

- Laminate cover:
- Laminate cover for cable tray;
 - Mounting brackets;
 - Dimension "B" is 1/4" recessed.

Prices

Dimensions	
A	B
06 30	46
06 36	53
06 42	58
06 48	64
06 54	69
06 60	76
06 66	81
06 72	87
06 78	92
06 84	99

How to Order

	AB	CTCOVER
XT		
Series	Dimensions	

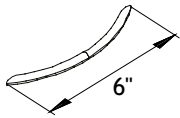
Example XT 0630 CTCOVER

Accessories

Handles

HJA

Handle

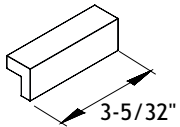


- 6" metal handle;
- 5-1/32" (128mm) center to center.

Code	\$	Description
HJA	14	<i>Satin Nickel</i>
HJAB	14	<i>Black</i>

H051

Handle

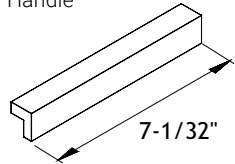


- 3-5/32" metal handle;
- 2-17/32" (64mm) center to center.

Code	\$	Description
H051CHR	14	<i>Chrome</i>
H051SN	14	<i>Satin Nickel</i>
H051BL	14	<i>Black</i>
H051WH	14	<i>White</i>

H052

Handle

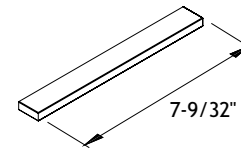


- 7-1/32" metal handle;
- 6-9/32" (160mm) center to center.

Code	\$	Description
H052CHR	14	<i>Chrome</i>
H052SN	14	<i>Satin Nickel</i>
H052BL	14	<i>Black</i>
H052WH	14	<i>White</i>

H071

Handle

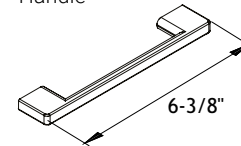


- 7-9/32" metal handle;
- 6-5/16" (160.338mm) center to center.

Code	\$	Description
H071CHR	14	<i>Chrome</i>
H071BN	14	<i>Brushed Nickel</i>
H071BL	14	<i>Black</i>
H071WH	14	<i>White</i>

H072

Handle

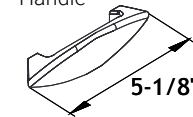


- 6-3/8" metal handle;
- 5-1/32" (127.8mm) center to center.

Code	\$	Description
H072CHR	14	<i>Chrome</i>
H072BL	14	<i>Black</i>
H072WH	14	<i>White</i>

SXP003

Handle



- 5-1/8" metal handle;
- 3-25/32" (96mm) center to center.

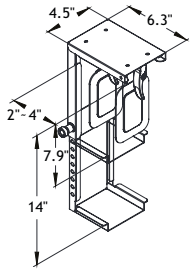
Code	\$	Description
SXP003	14	<i>Satin Nickel</i>

Not compatible handles: H011, H060, H070 and SXP002.

CPU Holders

MCPU50

Miniature CPU Holder

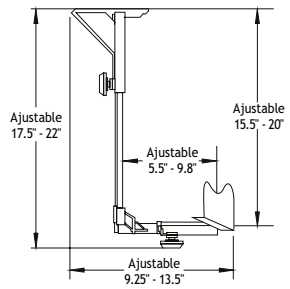


- Height adjustable: 8" - 14";
- Width adjustable: 2" - 4";
- Maximum capacity: 10 kg (22 lbs);
- Need a minimum 5" deep clearance.

Code	\$	Description
MCPU50	170	

MCPU90

CPU Holder



- Black metal CPU holder;
- Easy manipulation;
- Vertical adjustment:
 - Height: 15.5" x 20"
 - Width: 5.5" x 9.8"
- Horizontal adjustment:
 - Height: 17.5" x 22"
 - Width: 9.25" x 13.5"

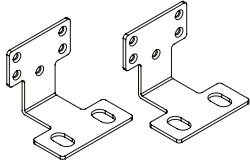
Code	\$	Description
MCPU90	205	<i>per unit</i>

Accessories

Miscellaneous Accessories

KPBOO

Positioning Bracket

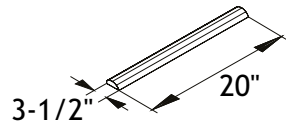


- Set of 2 positioning brackets for laminate power beams ;
- Screws included ;
- Finishes: black and satin nickel.

Code	\$	Description
KPBOOBL	63	Black
KPBOOSN	63	Satin Nickel

AP

Wrist Rest

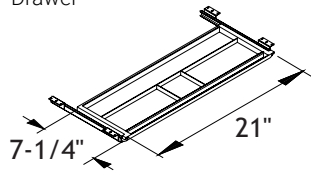


- Black gel wrist rest.

Code	\$	Description
AP	70	

TCPM3

Drawer

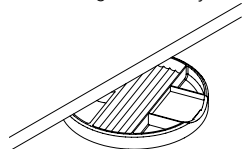


- Plastic sliding drawer;
- Finish: White and black;
- Need a minimum 10 1/2" deep clearance.
- Can be assembled with the height adjustable table.

Code	\$	Description
TCPM3 BL	293	Black
TCPM3 WH	293	White

SWV

Swivel Organizer Tray

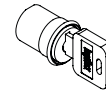


- Storage drawer that rotate 360 degrees;
- Mounts flush to the edge;
- Dimensions: 8-1/4"D x 13-5/8"W x 1-3/8"H.

Code	\$	Description
SWV	63	

LK

Lock



- Locks with keys
- Finish: Satin nickel or black finish;
- Additional locks, sold separately or factory installed;
- Please specify the type of furniture on which the will be installed.

Code	\$	Description
LKSN	43	Satin Nickel lock (factory installed)
LKBL	43	Black lock (factory installed)

LKSNF 27 Satin Nickel front lock

LKBLF 27 Black front lock

LKSNP 27 Satin Nickel door lock

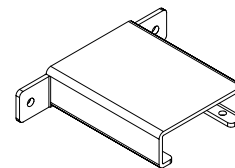
LKBLP 27 Black door lock

KEY 19 Set of 2 keys - #501 - 600

SERR 010 19 1 master key

EPF

Positioning Bracket



- Front panel assembly for Elevation Plus legs.

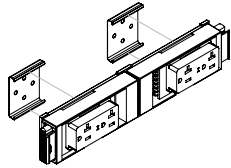
Code	\$	Description
EPFBL	22	Black
EPFSN	22	Satin Nickel
EPFWH	22	White

Accessories

Electrical Accessories

BE-KDHB-1

Single sided power block (1)



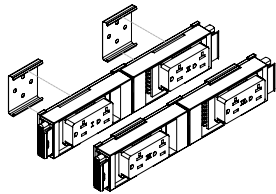
- Set including:
- Single sided power block (1);
 - 2 Duplex -1 circuit;
 - 2 mounting plates;
 - Max. 10 duplex per circuit (5 double half power block BE-KDHB-1).

Code	\$	Description
BE-KDHB-1-BL	197	
BE-KDHB-1-WH	208	



BE-KDHB-4

Single sided power block (2)



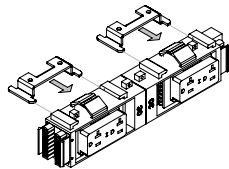
- Set including:
- Single sided power block (2);
 - 4 Duplex -1 of each circuit;
 - 4 Mounting plates;
 - Max. 40 duplex (20 double half power block).

Code	\$	Description
BE-KDHB-4-BL	395	
BE-KDHB-4-WH	405	



BE-KDBSM-1

Double sided power block



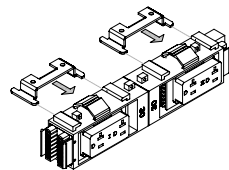
- Set including:
- Double sided power block;
 - 4 duplex -1 circuit;
 - 2 slide mounting brackets;
 - Max. 10 duplex per circuit (2 double power block).

Code	\$	Description
BE-KDBSM-1-BL	369	
BE-KDBSM-1-WH	387	



BE-KDBSM-4

Double sided power block



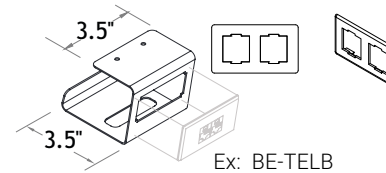
- Set including:
- Double sided power block;
 - 4 duplex -1 of each circuit;
 - 2 slide mounting brackets;
 - Max. 40 duplex (10 double power block).

Code	\$	Description
BE-KDBSM-4-BL	369	
BE-KDBSM-4-WH	387	



SMWM

Cable Support

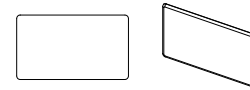


- 3.5" metal wire support with 1 telecom plate cutout;
- Satin nickel finish.

Code	\$	Description
SMWM	29	

BE-TELA

Telecom plate

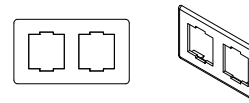


- Blank plate;
- 3-1/8" x 1-3/4";
- Colors: Black, White and Satin nickel;
- To be used with the APB, APF or AP2 cover plate option of the supply walls.

Code	\$	Description
BE-TELA-BL	5	
BE-TELA-WH	5	
BE-TELA-SN	5	

BE-TELB

Telecom plate



- 2 spaces to install connection ports;
- 3-1/8" x 1-3/4";
- Adapter included.
- Colors: Black, White and Satin nickel.

Code	\$	Description
BE-TELB-BL	5	
BE-TELB-WH	5	
BE-TELB-SN	5	

BE-HW

Hardwired conduit power entry



- * To be connected to an electrical box by an electrician.
- 8 wires - 4 circuits 20A;
- For 8 trac system;
- Bare wires at one end
- Male end.

Code	\$	Description
BE-HW-72	180	8 wire, 4 circuit - 72"L
BE-HW-84	197	8 wire, 4 circuit - 84"L
BE-HW-96	218	8 wire, 4 circuit - 96"L
BE-HW-120	255	8 wire, 4 circuit - 120"L
BE-HW-180	376	8 wire, 4 circuit - 180"L

Accessories

Electrical Accessories

BE-PI72

Corded Power entry



- Corded power entry of 72";
- Right angle 20 Amp plug;
- Male end;
- 1 circuit 20A;
- Must be plug on 20A outlet



Code	\$	Description
BE-PI72	224	

BE-NYHW

NYC flex hardwired power infeed



- * To be connected to an electrical box by an electrician.
- 8 wires - 4 circuits 20 A;
- Bare wires at one end;
- For 8 trac system;
- Male end.

Code	\$	Description
BE-NYHW-72	407	
BE-NYHW-84	427	
BE-NYHW-96	445	
BE-NYHW-108	465	
BE-NYHW-120	485	

BE-J

M/M jumper



- Non-adjustable;
- 8 wire - 4 circuits;
- M/M;
- For 8 trac system;
- Minimum 12" - Maximum 216".

Code	\$	Description
BE-J12	114	8 wire cable / 4 circuit - 12"L
BE-J18	123	8 wire cable / 4 circuit - 18"L
BE-J24	130	8 wire cable / 4 circuit - 24"L
BE-J36	141	8 wire cable / 4 circuit - 36"L
BE-J42	151	8 wire cable / 4 circuit - 42"L
BE-J48	161	8 wire cable / 4 circuit - 48"L
BE-J54	168	8 wire cable / 4 circuit - 54"L
BE-J60	181	8 wire cable / 4 circuit - 60"L
BE-J66	189	8 wire cable / 4 circuit - 66"L
BE-J72	198	8 wire cable / 4 circuit - 72"L
BE-J78	207	8 wire cable / 4 circuit - 78"L
BE-J84	219	8 wire cable / 4 circuit - 84"L
BE-J96	237	8 wire cable / 4 circuit - 96"L
BE-J120	277	8 wire cable / 4 circuit - 120"L
BE-J216	515	8 wire cable / 4 circuit - 216"

BE-HC

Harness connector F/F

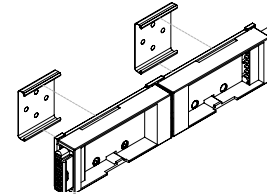


- Used to connect jumper cables and blocks together;
- 1-1/2" x 2-1/4".

Code	\$	Description
BE-HC	51	

BE-DHB

Single sided power block

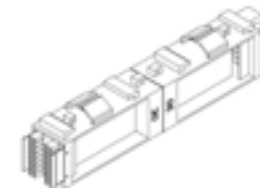


- Maximum of 2 duplex per block;
- Includes mounting plates ;
- F/F ;
- For 8-trac system ;
- Duplex ordered separately.

Code	\$	Description
BE-DHB	103	

BE-DBSM

Double sided power block



- Maximum of 4 duplex per block;
- For 8-trac system ;
- Slide mounting sold separately ;
- F/F ;
- Duplex ordered separately.

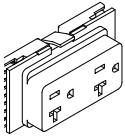
Code	\$	Description
BE-DBSM	148	

Accessories

Electrical Accessories

BE-D20-C

Duplex

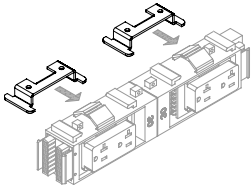


- 20 Amp;
- Height 1-1/18";
- For BE-DHB & BE-DBSM blocks ;
- Colors: Black or white ;
- Maximum of 10 Duplex per circuit.

Code	\$	Description
BE-D20-C-1-BL	47	Circuit 1 - 20A - Black
BE-D20-C-2-BL	47	Circuit 2 - 20A - Black
BE-D20-C-3-BL	47	Circuit 3 - 20A - Black
BE-D20-C-4-BL	47	Isolated Circuit 4 - 20A - Black
BE-D20-C-1-WH	53	Circuit 1 - 20A - White
BE-D20-C-2-WH	53	Circuit 2 - 20A - White
BE-D20-C-3-WH	53	Circuit 3 - 20A - White
BE-D20-C-4-WH	53	Isolated Circuit 4 - 20A - White

BE-SM58-2

Slide mount bracket



- 2 brackets;
- Only for the double power block (BE DBSM);
 - 5/8" height;
 - Screws included.

Code	\$	Description
BE-SM58-2	32	

WM

Velcro Tie

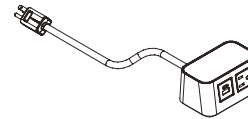


- Velcro tie for electrical cable;
- The non-metallic buckle is safe to use around electrical devices;
- Dimensions: 3/4" x 10";
- Color: black.

Code	\$	Description
WM	13	Unit price
WMS	14	with #8, 9/16" Robertson screw, per unit

BR1

Branch unit

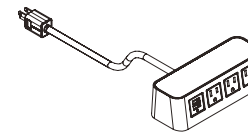


- 1 power outlet / 1 dual charger USB-a+;
- Table top with braided storm 120 IN power cord.

Code	\$	Description
BR1BL	476	Black
BR1WH	476	White

BR2

Branch unit

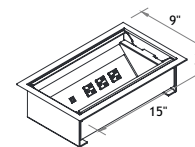


- 3 power outlet / 1 dual charger USB-a;
- Table top with braided storm 120 IN power cord.

Code	\$	Description
BR2BL	610	Black
BR2WH	610	White

OAS

Oasis



- OAS A: 6 power receptacles, 2 USB (chargers), cutout for 1 Telecom plate;
- OAS B: 6 power receptacles, 2 USB (chargers), HDMI F/F with 36" patch cord attached, Mini Stereo Inline, 15 Pin HD VGA F/F with 72" patch cord attached;
- OAS C: 6 power receptacles, 2 USB (chargers), HDMI F/F with 36" patch cord attached;
- 108" power cable with electric plug;
- Satin Nickel finish.



Code	\$	Description
OASA	2596	
OASB	3005	
OASC	2804	

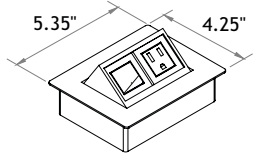
Accessories



Electrical Accessories

MH3A

Connectivity unit



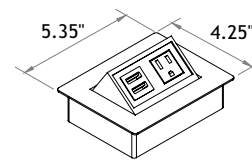
- Retractable connectivity unit with 1 electrical outlet and 1 empty telecommunication outlet (outlet not included);
- 72" or 120" power cable with electric plug;
- Finish: Satin Nickel.



Code	S	Description
MH3A	397	Satin Nickel, 72" power cable
MH3A120	410	Satin Nickel, 120" power cable

MH3D

Connectivity unit



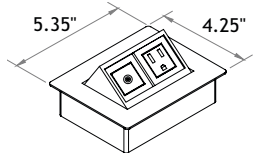
- Retractable connectivity unit with 1 electrical outlet and 2 USB (chargers);
- 72" or 120" power cable with electric plug;
- Finish: Satin Nickel.



Code	S	Description
MH3DSN	397	Satin Nickel, 72" power cable
MH3DSN120	410	Satin Nickel, 120" power cable
MH3DBL	397	Black, 72" power cable
MH3DBL120	410	Black, 120" power cable
MH3DWH	397	White, 72" power cable
MH3DWH120	410	White, 120" power cable

MH3B

Connectivity unit



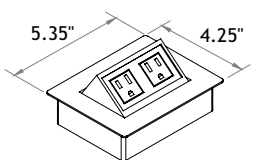
- Retractable connectivity unit with 1 audio jack and 1 electrical outlet;
- 72" or 120" power cable with electric plug;
- Finish: Satin Nickel.



Code	S	Description
MH3B	397	Satin Nickel, 72" power cable
MH3B120	410	Satin Nickel, 120" power cable

MH3C

Connectivity unit



- Retractable connectivity unit with 2 electrical outlets;
- 72" or 120" power cable with electric plug;
- Finish: Satin Nickel.



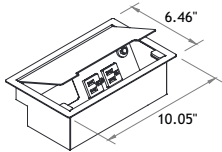
Code	S	Description
MH3C	397	Satin Nickel, 72" power cable
MH3C120	410	Satin Nickel, 120" power cable

Accessories

Electrical Accessories

INT

Interact



- Interact:
 - 72" power cable with electric plug for INT A, INT B and INT C models;
 - Satin Nickel finish.
- INT A: 2 power receptacles and a cutout for 1 telecom plate, 3rd electrical outlet on underside.
- INT B: 2 power receptacles, 3rd electrical outlet on underside, HDMI F/F with 36" patch cord attached, Mini Stereo Inline, 15 Pin HD VGA F/F.
- INT C: 2 power receptacles, 3rd electrical outlet on underside, HDMI F/F with 36" patch cord attached.



Code	\$	Description
INT A	714	
INT B	1126	
INT C	923	

With electric plug

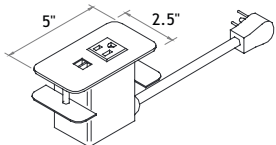


Code	\$	Description
INT A HW	550	
INT B HW	1126	
INT C HW	922	

Hardwire: to be connected to an electrical box by an electrician.

COV1

Cove Unit



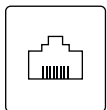
- 108" power cable with electric plug;
- Satin nickel finish.



Code	\$	Description
COV1	575	1 power, 2 USB (chargers)

POR 01

RJ45, CAT 6 connectivity port

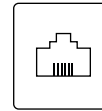


- RJ45, CAT6 connector;
- RJ45 M/F cable - 72";
- Finish: Black.

Code	\$	Description
POR 01	142	

POR 02

RJ11 connectivity port

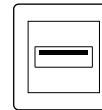


- RJ11 connector, 4 pin
- RJ11 M/F cable - 84";
- Finish: Black.

Code	\$	Description
POR 02	42	

POR 03

USB connectivity port

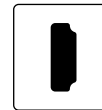


- 1 USB (data/passive);
- USB M/F cable - 72";
- Finish: Black.

Code	\$	Description
POR 03	88	

POR 04

HDMI connectivity port

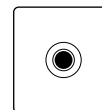


- HDMI connector;
- HDMI F/F cable - 18";
- Finish: Black.

Code	\$	Description
POR 04	130	

POR 05

Mini Stereo Jack

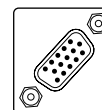


- 3.5 mm Mini Stereo Jack, M/F;
- Audio M/F cable -120";
- Finish: Black.

Code	\$	Description
POR 05	47	

POR 06

VGA Connector



- VGA connector, 15 pin;
- VGA M/F cable -120";
- Finish: Black.

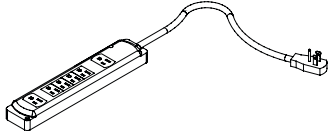
Code	\$	Description
POR 06	164	

Accessories

Electrical Accessories

F-714

Power bar



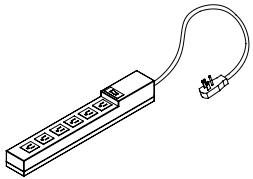
- Power bar with 6 AC 15 Amp electric outlets;
- 120", 14-3 power cable with electric plug.



Code	\$	Description
F-714	118	

PBL

Power bar



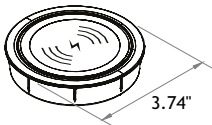
- Power bar with 6 electric outlets;
- 120" power cable with electric plug.



Code	\$	Description
PBL	61	

QIBL

Wireless Charger



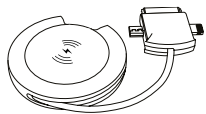
- Air charger wireless;
- Qi compatible device;
- 72" power cable with electric plug;
- Finish: Black.



Code	\$	Description
QIBL	617	

QIRE

Qi Adapter

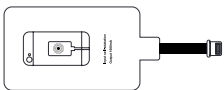


- Receiver to adapt devices not Qi compatible.
- Built-in connections for Apple 30 pin and lightning, Micro-USB.

Code	\$	Description
QIRE	170	

QIIP

Transmitter for iPhone

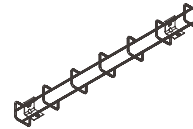


- Receiver for phones without Qi technology;
- For wireless charge devices;
- Adapter for Apple lightning port.

Code	\$	Description
QIIP	112	

CT

Metal cable tray

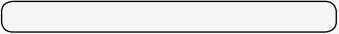


Metal cable tray

- In stainless steel;
- Dimensions: 2x4; Interior dimensions: 1-7/8"D x 1-7/8"H
- Length of 24" and 118" (118" can be cut on site).
- With mounting hardware

Code	\$	Description
CT24	53	
CT118	104	

Accessories



Electrical Accessories

DSG

Double-sided grommet

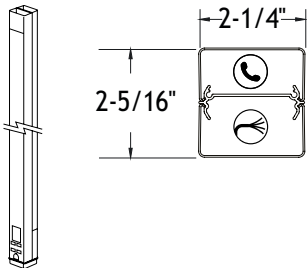


- Double-sided grommet
- Hole diameter: 2.5"
- Use for electrical cable management with division panels. Drilling to be done by the installer.
- Grommet to cut on site for desired thickness to cover;
- Can not be cut with a simple utility knife, use a sharper and safer tool.

Code	\$	Description
DSG BL	23	Black
DSG WH	23	White

WMP

Wire Management Pole



- Blank steel pole to bring cables from the ceiling to a work station;
- Satin nickel finish with a grey boot base;
- 2 compartments: 1 power/1 communications
- Mounting hardware, entrance end plate and ceiling trim plate included;
- Wires and outlets not included;
- Height: 12' 5\"/>

Code	\$	Description
WMP	449	

WS36-WS54

Fabric sleeve for wires

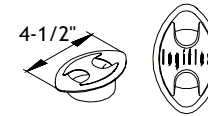


- Flexible fabric wire organizer (Cornerblock Black - Black and Charcoal - Gray of Ennis Fabrics);
- 3" diameter;
- With zipper.

Code	\$	Description
WS36B	141	Black
WS36G	141	Gray
WS54B	142	Black
WS54G	142	Gray

ELPF

Black Plastic Grommet

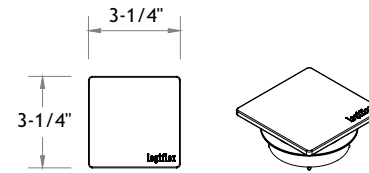


- Standard black plastic grommet with the Logiflex logo engraved;
- 2-1/2" diameter cutout.

Code	\$	Description
ELPF	5	Unit price

C_PF

Grommet



- Square metal grommet with the Logiflex logo engraved;
- Finish: Satin Nickel, Black and Chrome;
- 2-1/2" diameter cutout.

Code	\$	Description
CAPF	26	Unit price - Satin Nickel
CBPF	26	Unit price - Black
CCPF	26	Unit price - Chrome
CDPF	26	Unit price - White

As our product line is constantly evolving and expanding, we recommend that you visit logiflex.ca for updates.

logiflex

1235 St-Roch N., Sherbrooke QC J1N 0H2 Canada
T : 1.877.864.9323 | F : 1.800.474.7830 | logiflex.ca

