



logiflex

XTENSION



TABLE OF CONTENTS

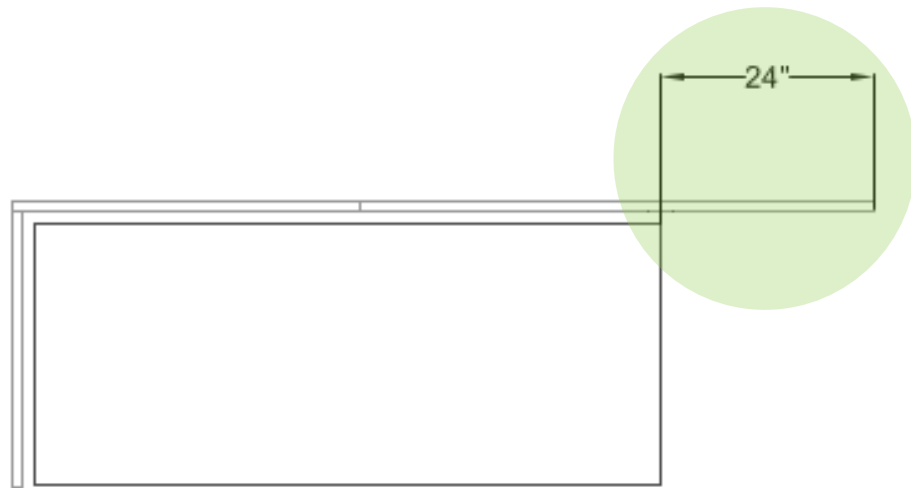
- ◇ SPECIFICATION GUIDELINES
- ◇ POWER WALLS AND PANELS
- ◇ SURFACES
- ◇ SUPPORTS AND LEGS
- ◇ STORAGE
- ◇ WIRE MANAGEMENT
- ◇ ELEVATION PLUS
- ◇ DO NOT FORGET INSTALLATION GUIDES

An aerial view of a modern office space. The office is furnished with light-colored wooden desks and cubicles. Some cubicles have small plants on top. There are several yellow chairs and blue armchairs. A large potted plant is in the foreground. The floor is a light, neutral color. The overall aesthetic is clean, bright, and professional.

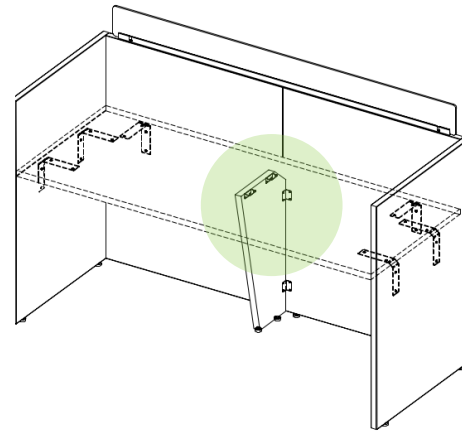
SPECIFICATION GUIDELINES

DISTANCE BETWEEN SUPPORTS

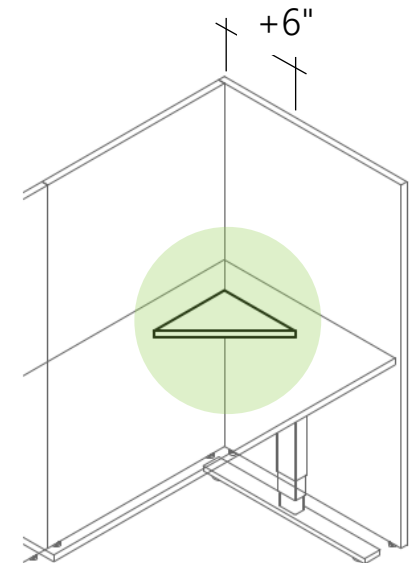
- Panels are not freestanding and need to have adequate supports.
 - *This does not apply to power walls.*



✓ Maximum distance –
end of line panel: 24"

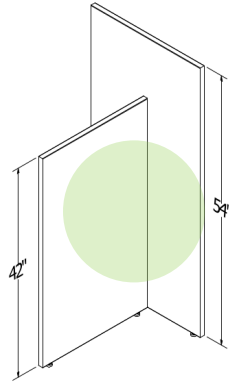


✓ Maximum distance –
between 2 supports: 42"

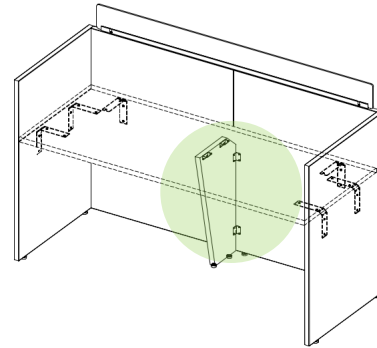


✓ Stabilizing corner –
addition of 6"

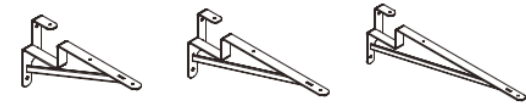
WHAT CAN BE USE AS SUPPORT FOR PANEL?



✓ Corner (panel or power wall)

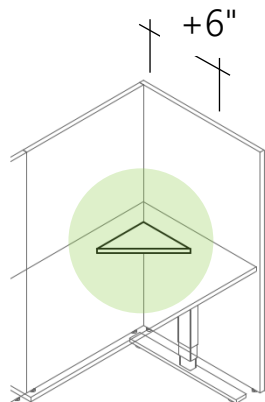


✓ Laminate legs



CNT01 CNT02 CNT03

✓ Cantilever brackets



✓ Stabilizing corner adds 6"



CNTC01 CNTC02

! Slender cantilever brackets
 Dimension reduced to 36"
 (Instead of 42")



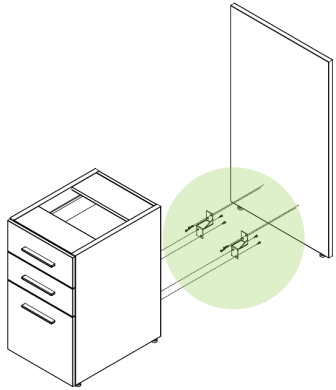
RAW RA2 HATLEY



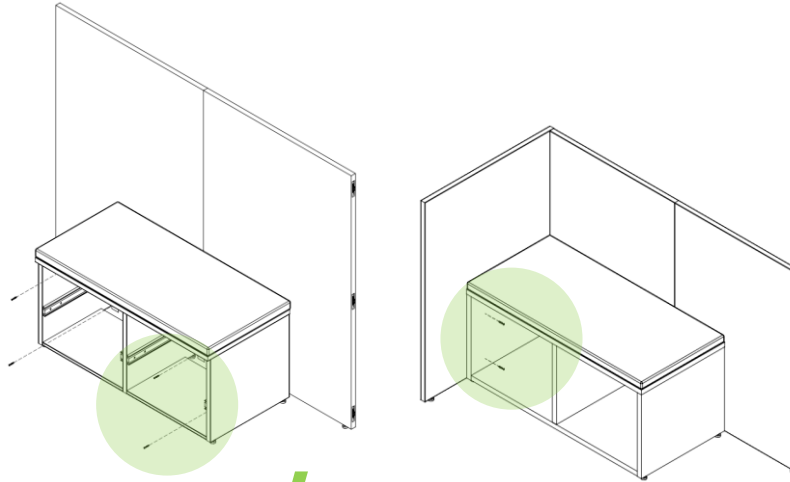
4.5 IFN

✗ Metal legs

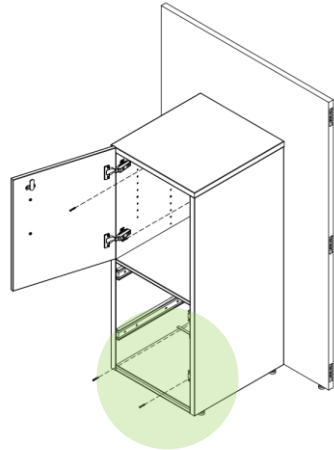
WHAT CAN BE USE AS SUPPORT FOR PANEL?



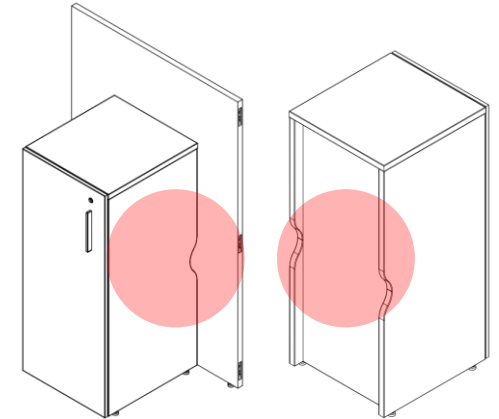
✓ Storage (exception of mobile)



✓ Benches

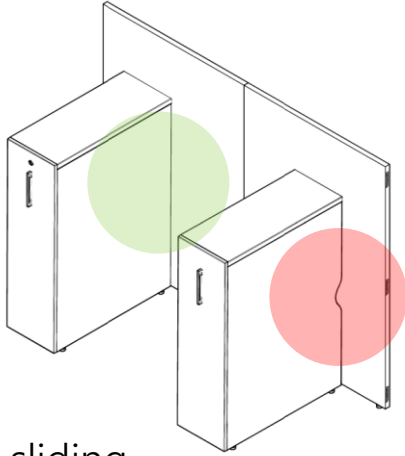


✓ Storage towers without notch



✗ Storage towers with notch

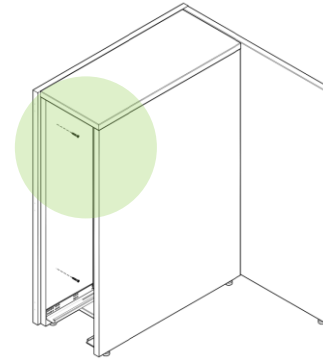
WHAT CAN BE USE AS SUPPORT FOR PANEL?



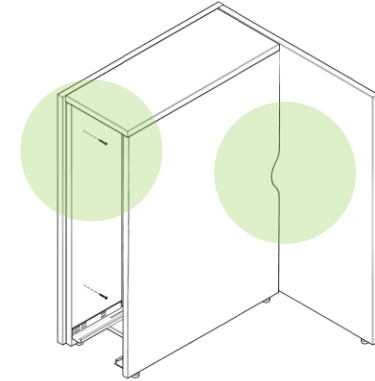
Back of a sliding storage without notch



Back of a sliding storage with notch



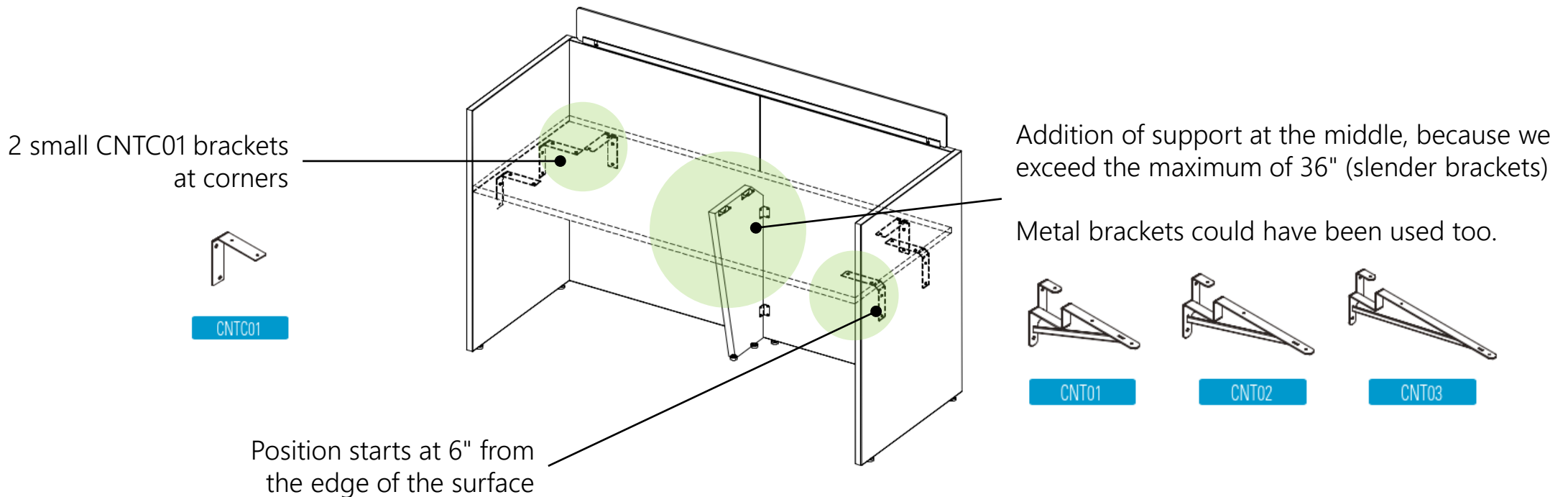
Sliding storage side with or without notch



- All storage sides can be used as a support for panels
- ⚠ Only storage backs without notch's can be used as a support for panels

SURFACE BRACKETS

- Surfaces not supported by legs or pedestals needs metal brackets. In addition to previous specification guidelines:
 - Position of brackets starts at 6" from surface edge
 - Corners required 2 small CNTC01 brackets

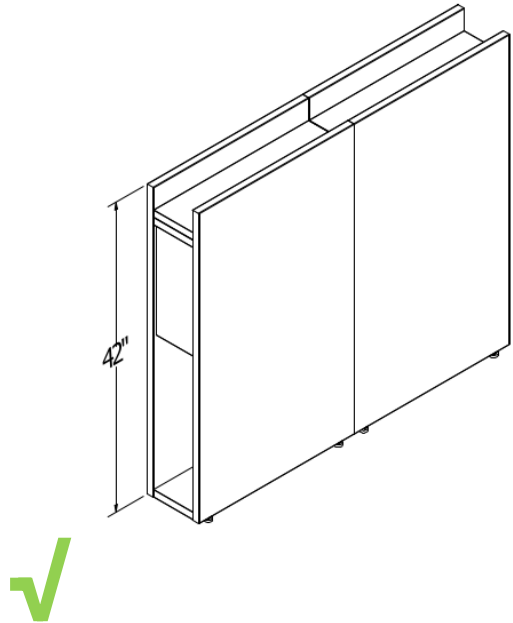




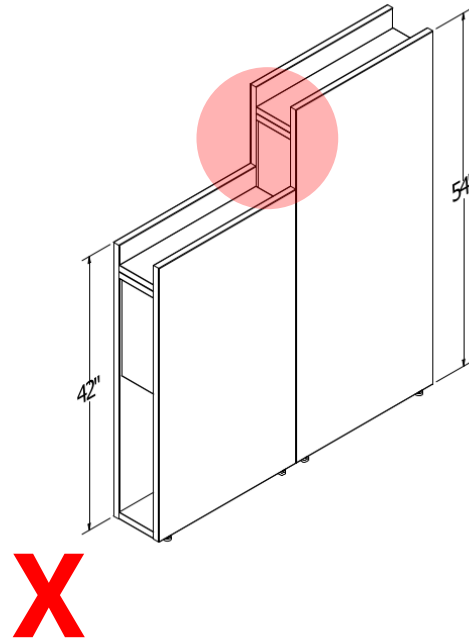
POWER WALLS AND PANELS

HEIGHT OF WALLS

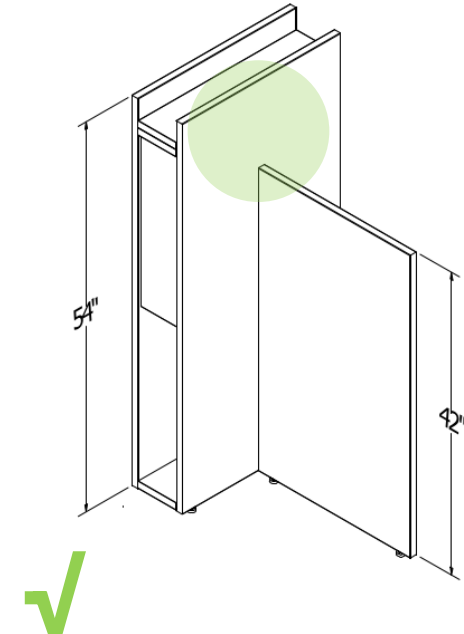
- 2 different products (codes) must have the same height
- Differences in height can be managed in 3-ways and 4-ways, when there is one code



2 codes
XT 3042PWL
XT 3042PWL



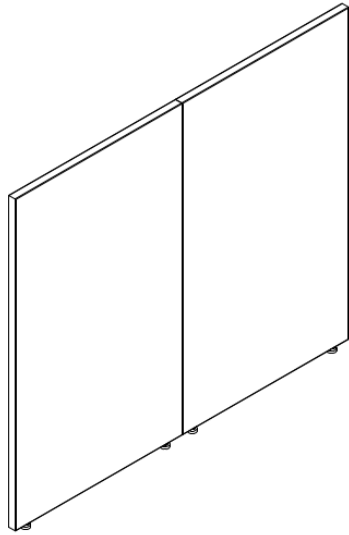
2 codes
XT 3042PWL
XT 3054PWL



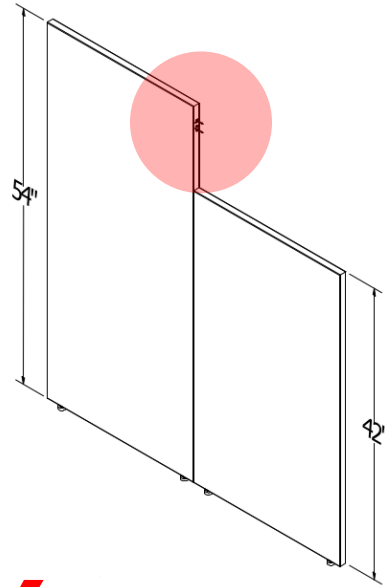
1 code
XT 2554PWLT 2442

HEIGHT OF PANELS

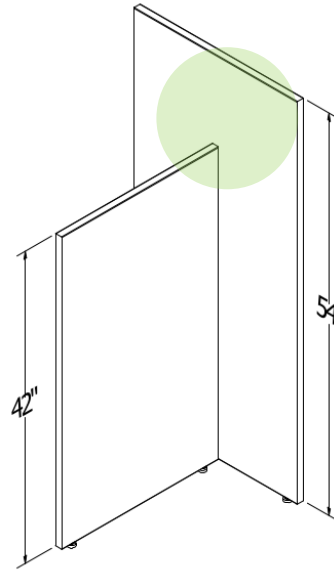
- 2 different products (codes) must have the same height
- Differences in height can be managed in 2-ways, 3-ways and 4-ways, when there is one code



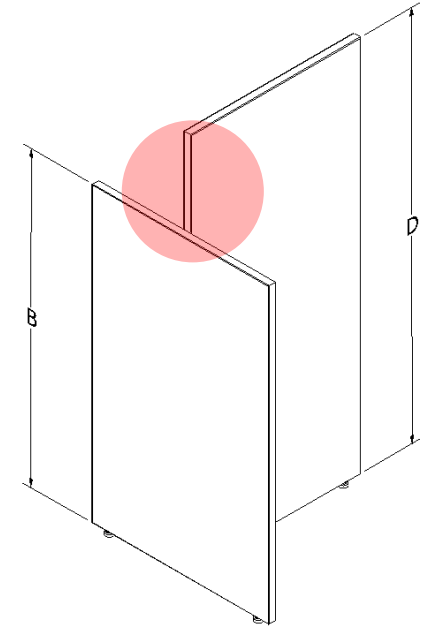
2 codes
XT 3042PAN
XT 3042PAN



2 codes
XT 3042PAN
XT 3054PAN



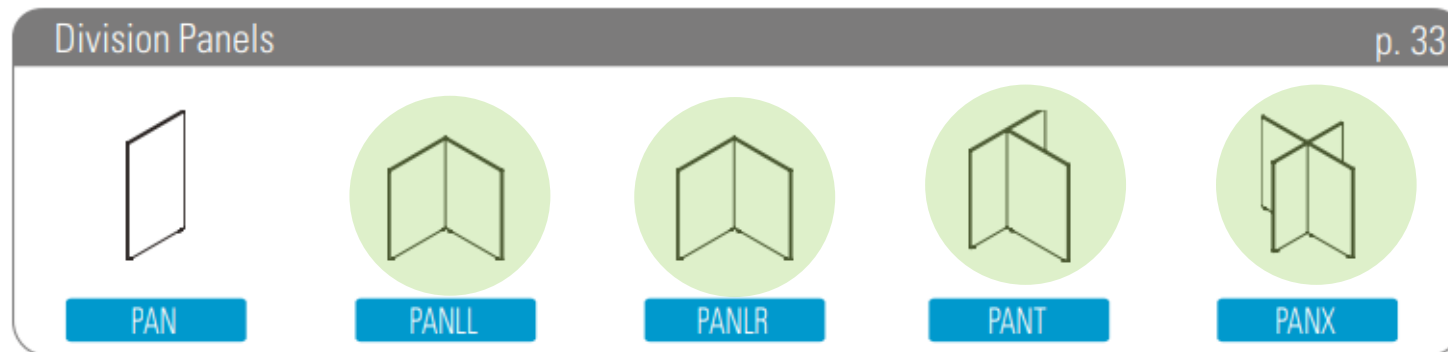
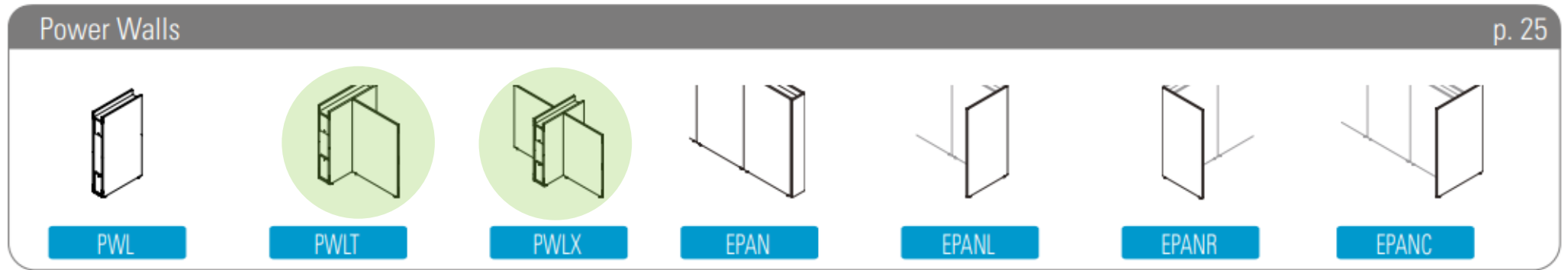
1 code
XT 2554PANT 2442



1 code
XT 2542PANT 2454
Dimension B smaller than D

PRODUCT WITH DIFFERENT HEIGHT

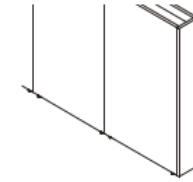
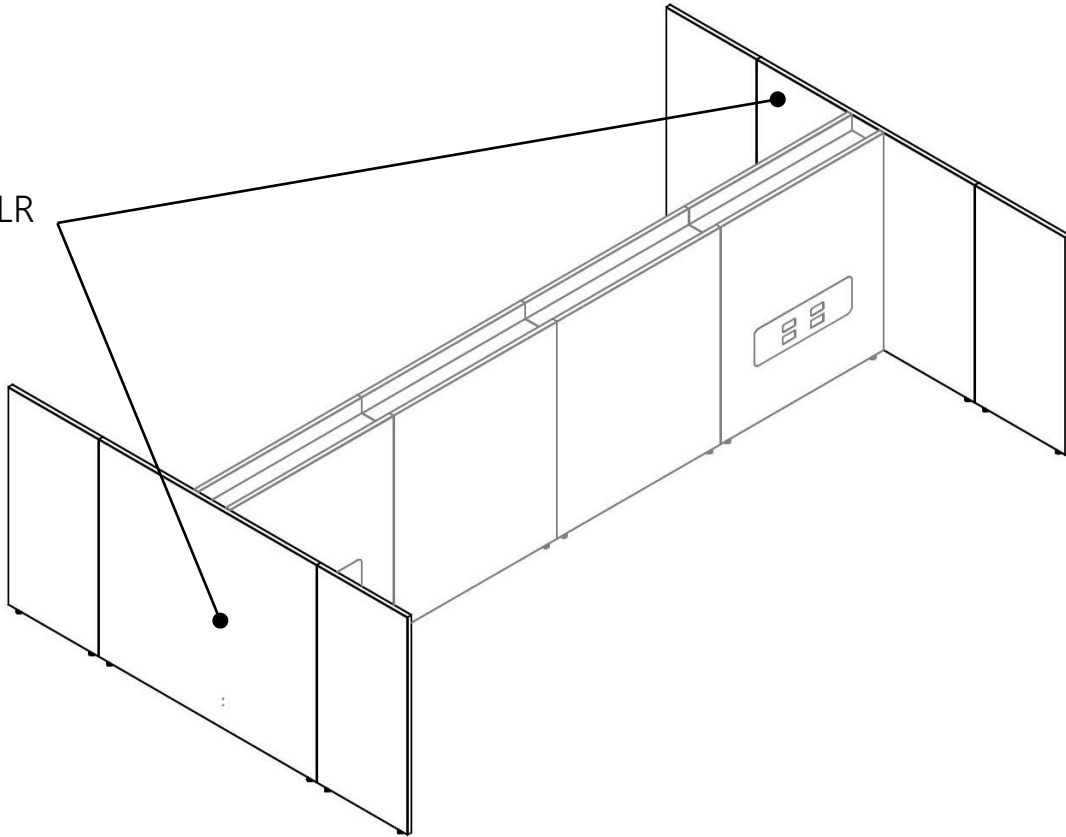
- Product that can manage height difference



END PANELS

- The ends of a row of power walls must be finished with an end panel.

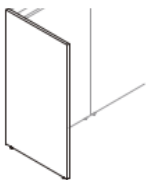
End Panel
XT 4842 EPANC LR
x2



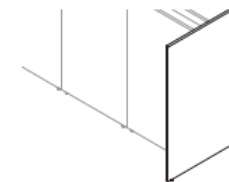
EPAN



EPANL



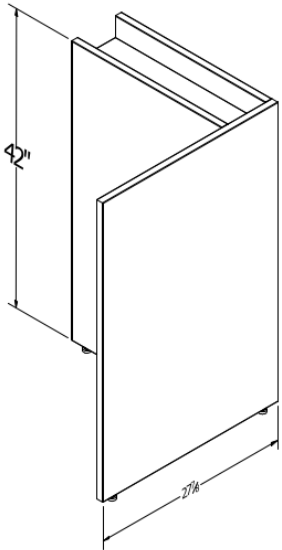
EPANR



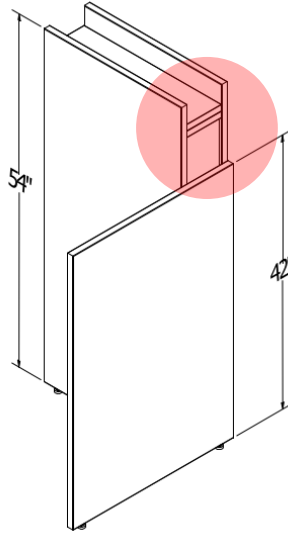
EPANC

END PANELS (cont'd)

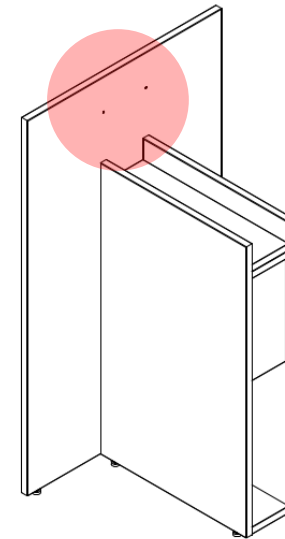
- REMINDER: The end panel must have the same height as the power wall, because it is a different product



2 codes
XT 3042PWL
XT 2842EPANL



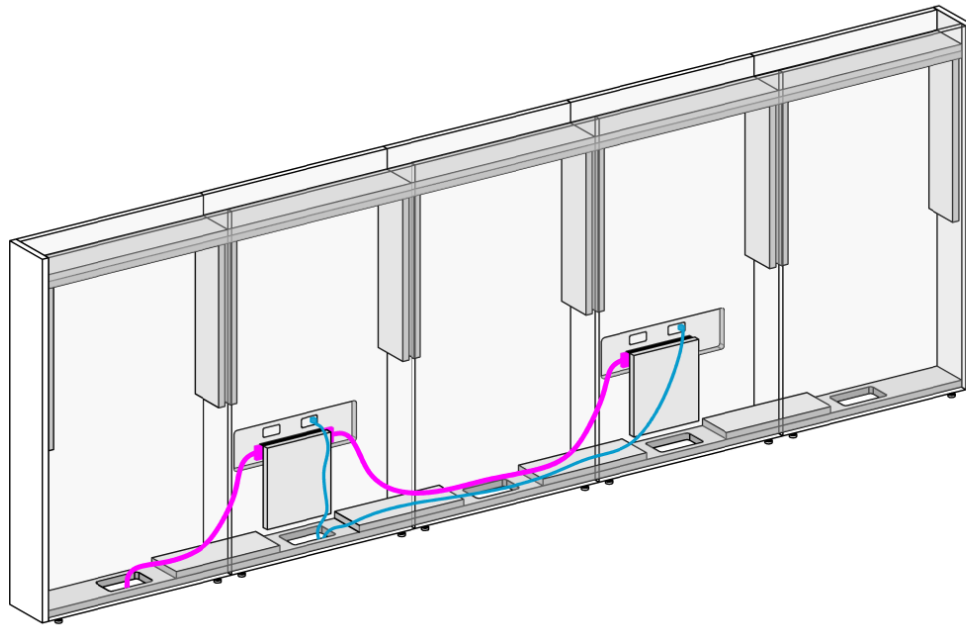
2 codes
XT 3054PWL
XT 2842EPANL



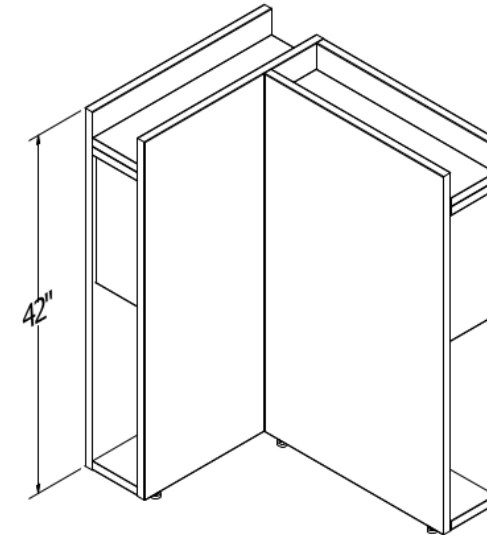
2 codes
XT 3042PWL
XT 3254EPANC

POWER WALLS IN LINEAR CONFIGURATION

- Only linear configuration for power walls. No corner jonction.
 - No assembly possible
 - No cable management



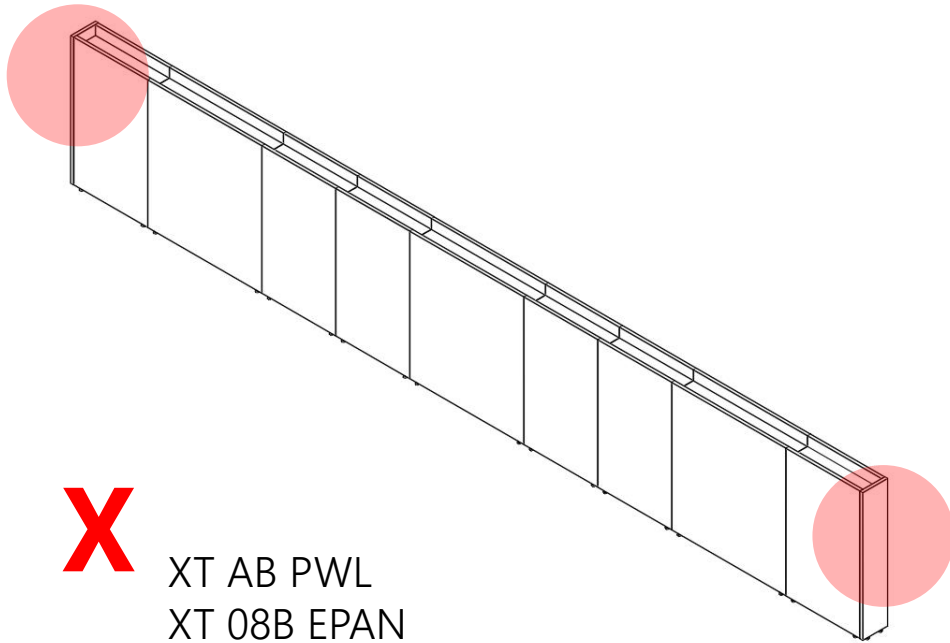
✓ Linear configuration –
Assembly and cable management



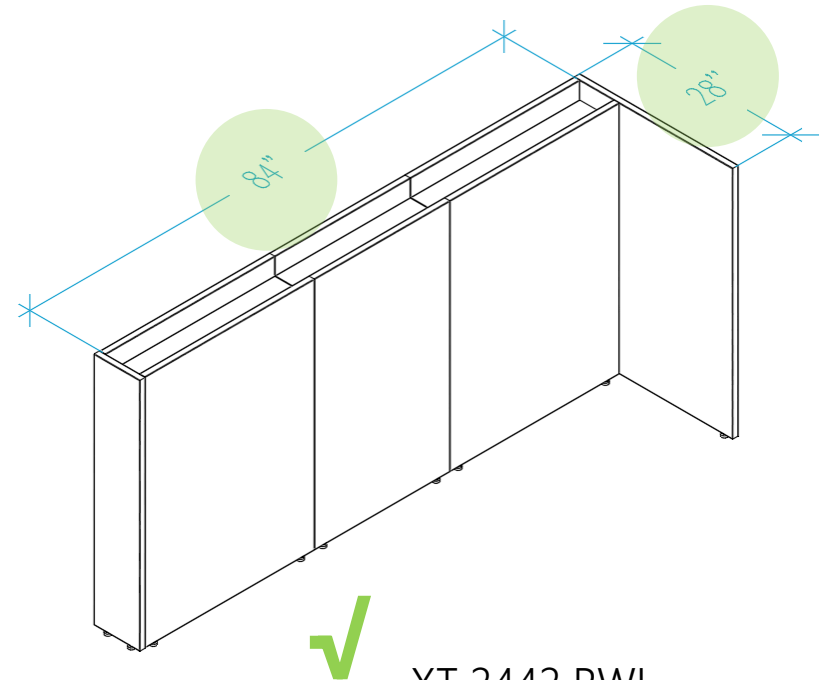
✗ Corner configuration –
No assembly
No cable management

POWER WALLS – NOT FREESTANDING

- The power walls alone are not freestanding ; a end panel EPANL/EPANR, EPANC or a supports (see page 5 et 6) are necessary
- Maximum of 84" if we only have 1x EPANL or 1x EPANR



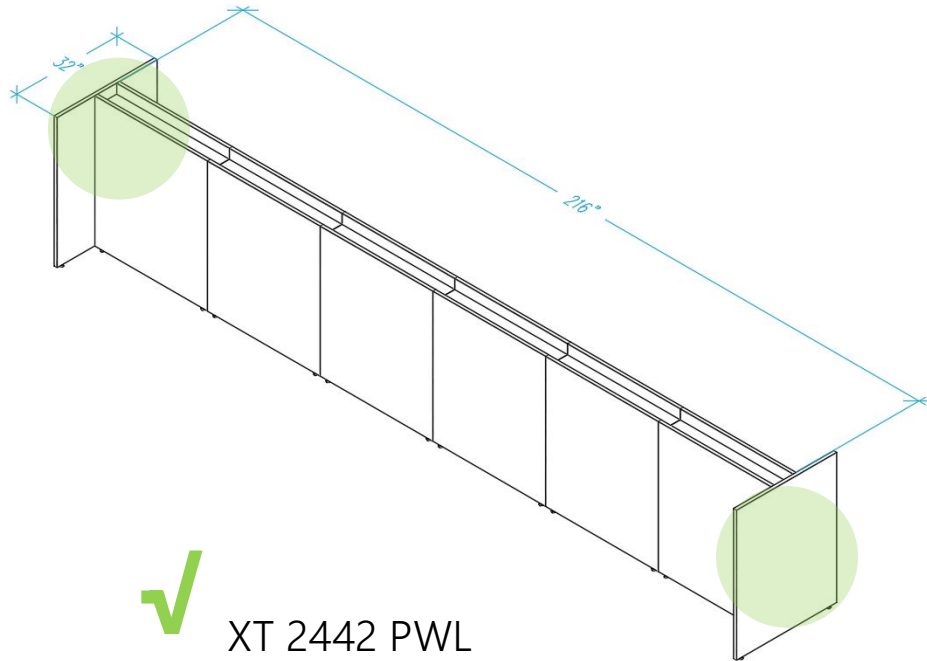
X
XT AB PWL
XT 08B EPAN



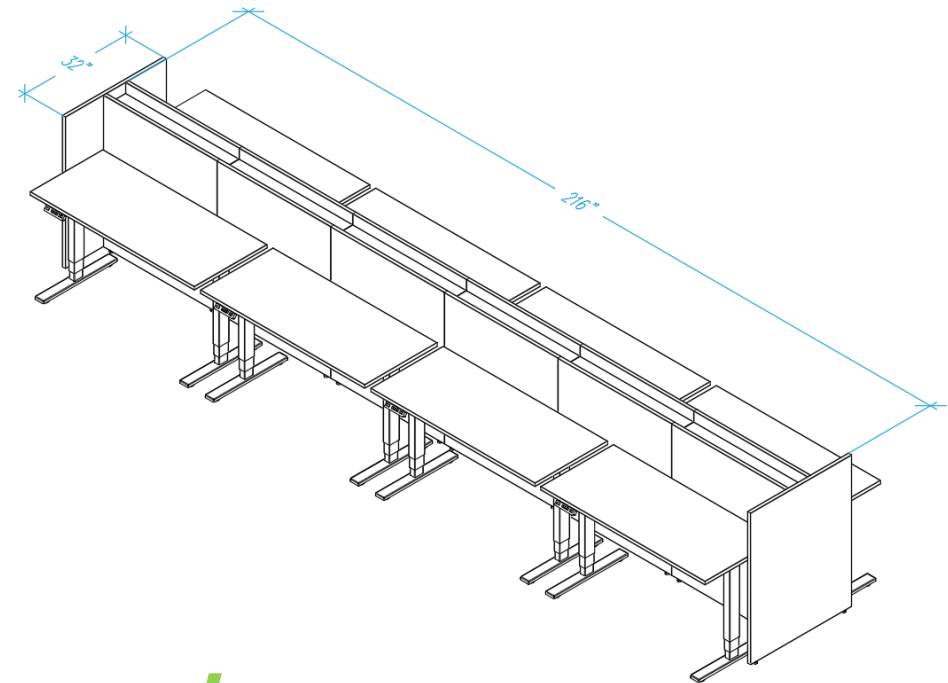
XT 2442 PWL
XT 3042 PWL
XT 2842 EPANL

POWER WALLS – FREESTANDING LAYOUT

- The power walls alone are not freestanding
- Maximum of 216" if we have 2x EPANL/EPANR or 2x EPANC with no support



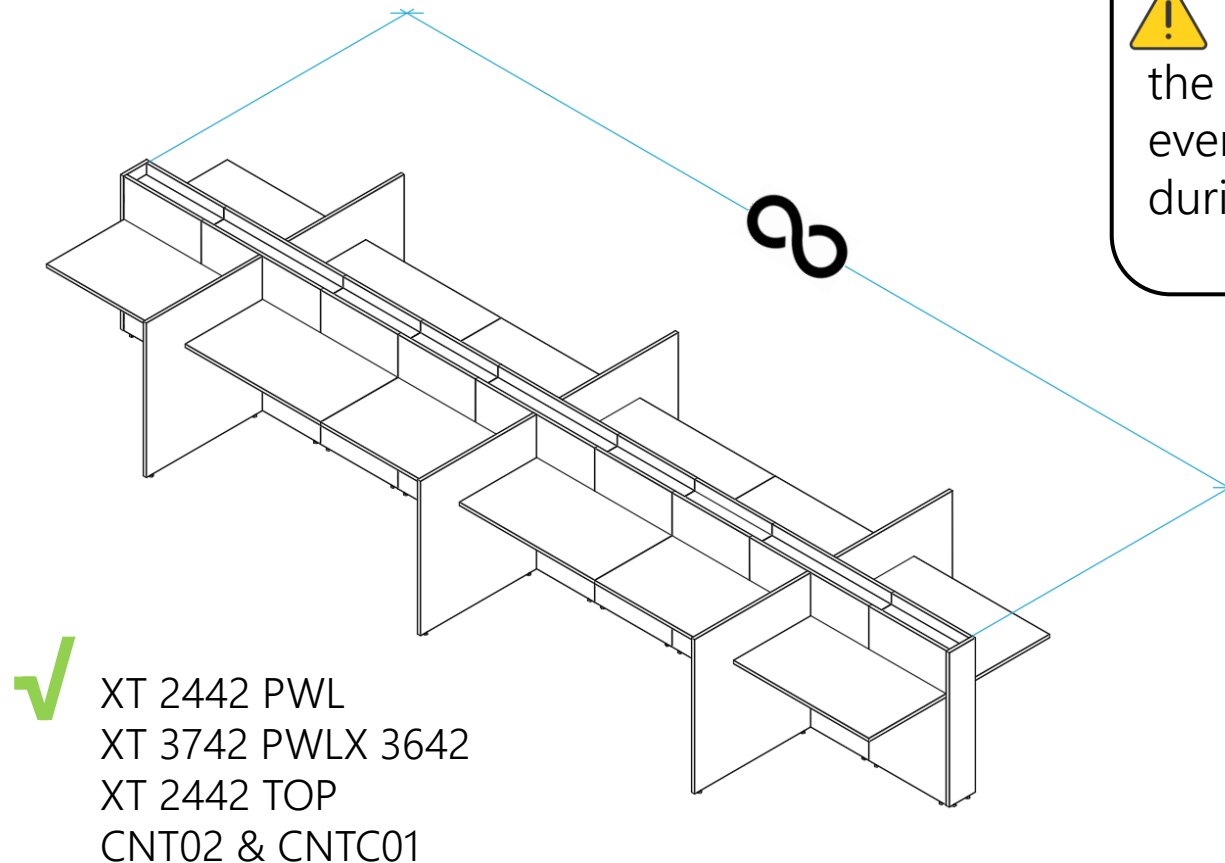
XT 2442 PWL
XT 3242 EPANR
XT 3242 EPANL



Allow layout with height adjustable tables

POWER WALLS – FREESTANDING LAYOUT

- No maximum length with the power walls if there are supports



⚠ Important, the longer the layout, the more difficult it will be to level everything. This can cause problems during installation.

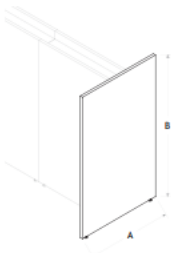
CONNECTOR OPTIONS - PANELS

- Always check if the division panels have the correct connector options

Walls and Panels Power wall End panel Division Panels

End panel for power wall, extended on both sides

EPANC



Manufacturing Standards


End panel for power wall, extended on both sides:

- 1" laminate panel;
- With connectors for power wall;
- White nylon levelers.

Important: Must be the same height as the power wall
 Position of grommet: An ELPF grommet is aligned with the power wall and at 20" H.
 To connect division panels on the left or on the right, see products PANL, PANR, PANC.

Options

Connector **Grommet**



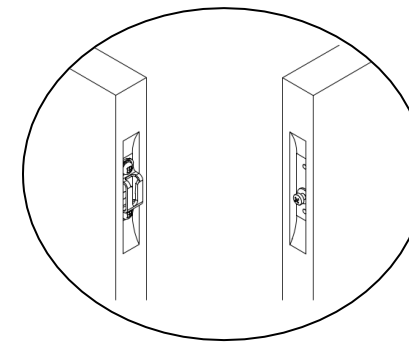
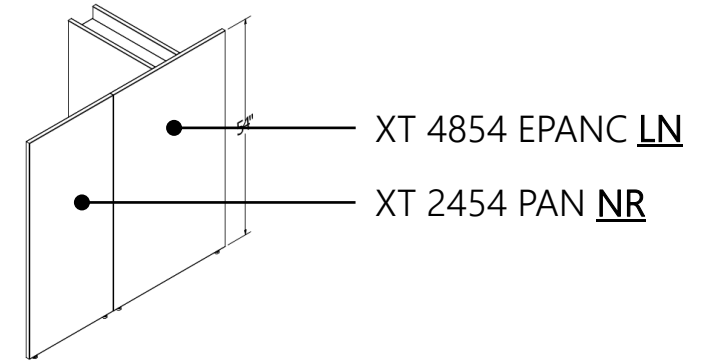
Prices

Dimensions	
A, B	
32 42	215
48 42	231
<hr/>	
32 54	270
48 54	303

How to Order

XT	AB	EPANC	L N (std)	R N (std)	GRC NGR (std)
Series	Dimensions	Product	Left connector	Right connector	Grommet
Example XT	3242	EPANC	N	N	N

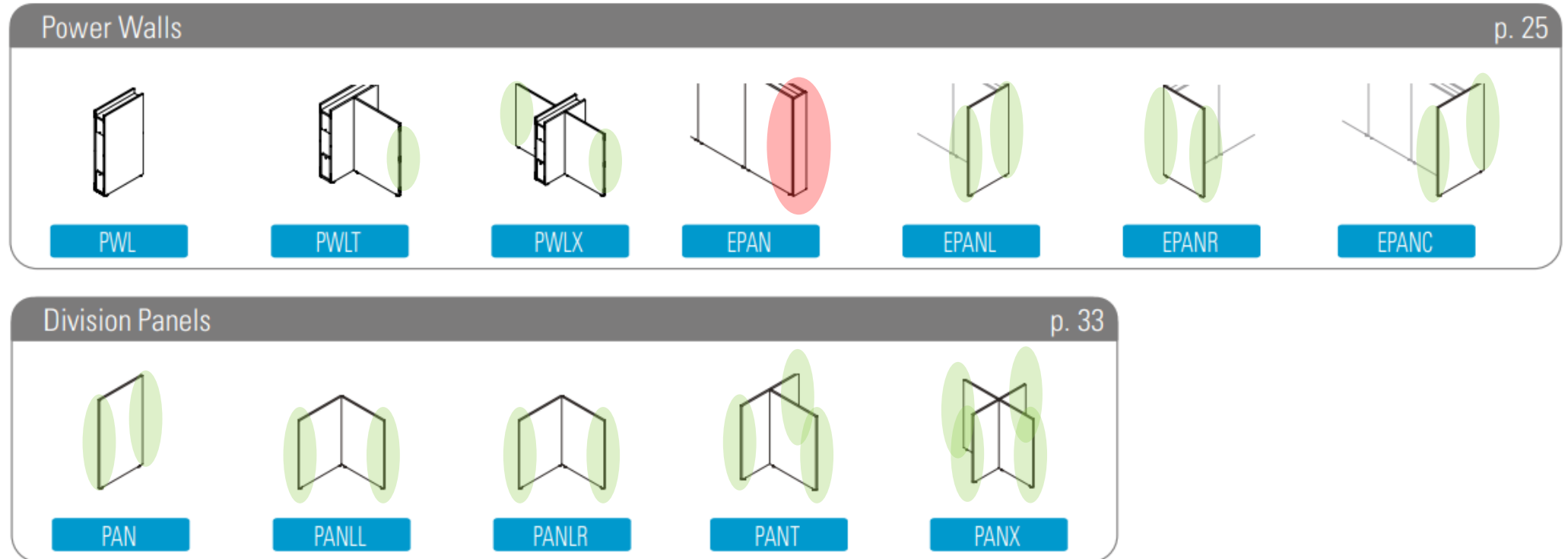
June 13, 2022 | USA LOGIFLEX | XTENSION 32



No management of the male/female type.
 Panels are machined and pre-drilled. Hardware is shipped separately.

CONNECTOR OPTIONS – PANELS (cont'd)

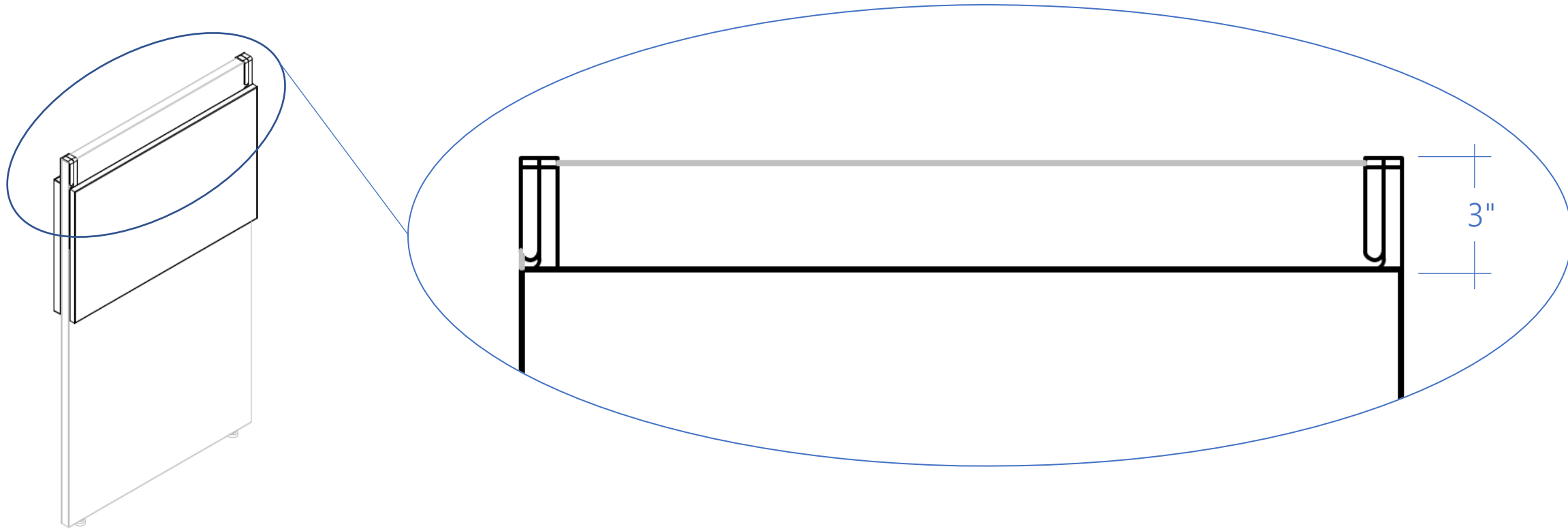
- Connector options are only for dividing panels, not power walls.



- EPAN (8" W) has no connector options

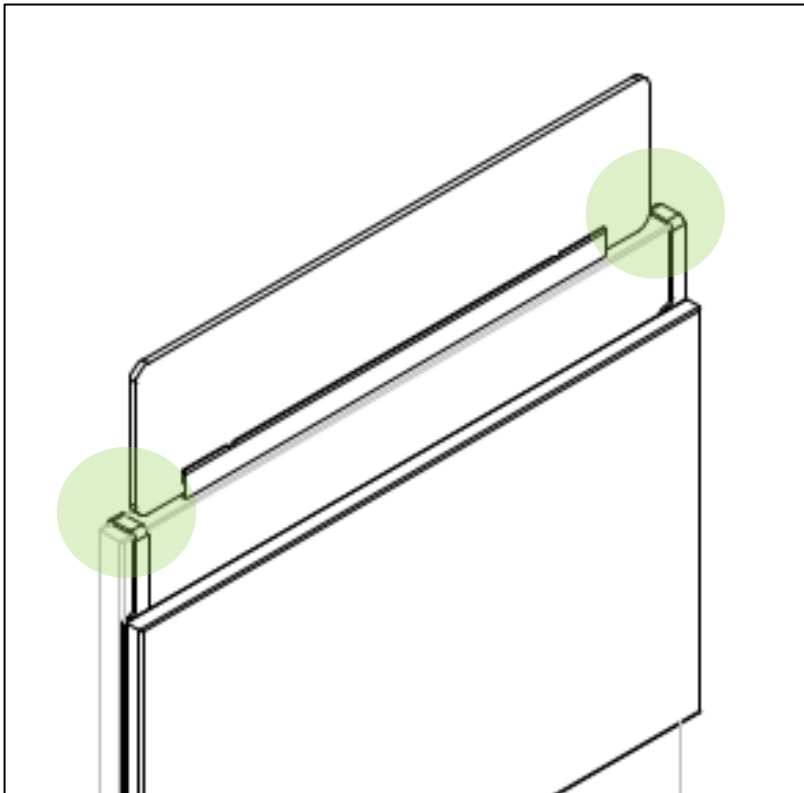
TACKBOARDS / WHITEBOARDS

- The design of the hooks allows them to be positioned on either side of the panels without additional clearance.
- Dimension B (height) includes the 3" hook clearance



TACKBOARDS / WHITEBOARDS & ACRYLIC SCREENS

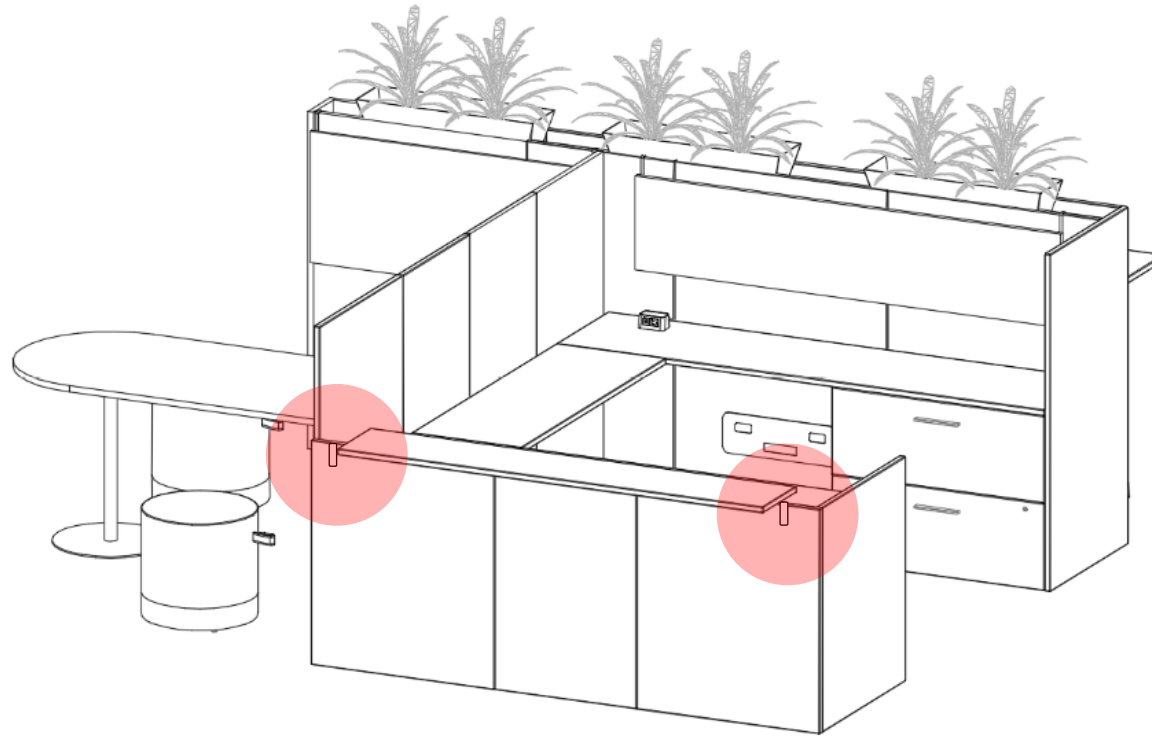
- Tackboards and whiteboards on hooks need to be wider than acrylic screens
- REMINDER: Acrylic screens are 2" shorter than tackboards / whiteboards



Width Tackboards / whiteboards	Width Acrylic screens
24	22
30	28
36	34
42	40
48	46
54	52
60	58
66	64
72	70

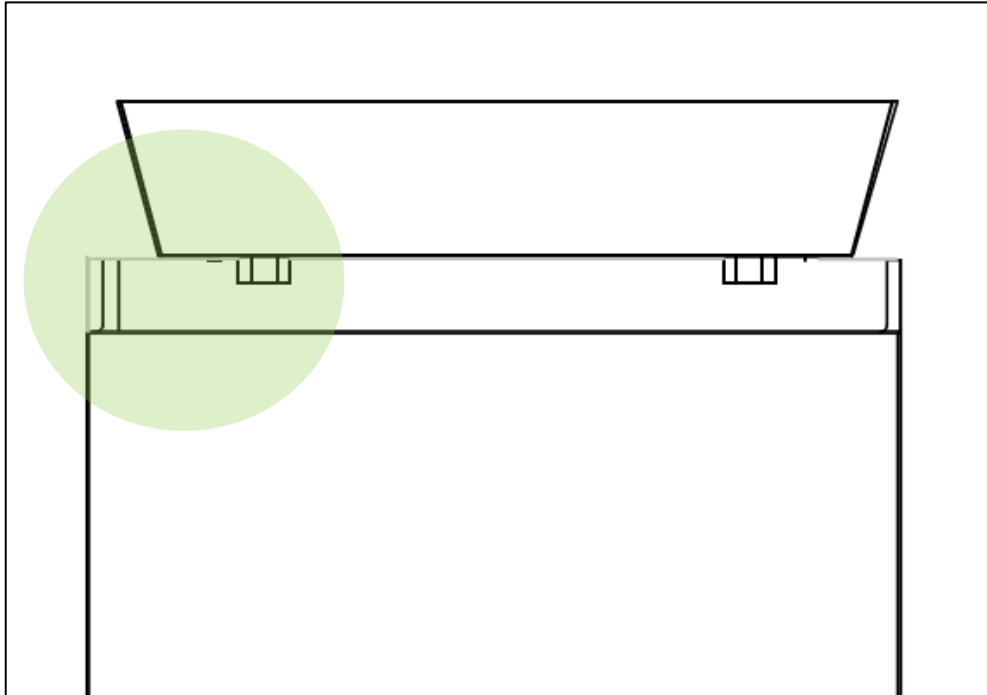
TACKBOARDS / WHITEBOARDS & SHELF

- Tackboards and whiteboards on hooks need to be wider than the shelf
- REMINDER: If the shelf is used for a reception station, the hooks will be visible from the visitor side



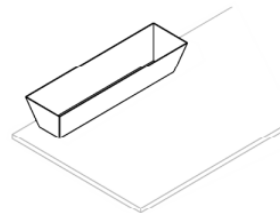
TACKBOARDS / WHITEBOARDS & PLANTER

- Tackboards and whiteboards on hooks need to be wider than the planter
- REMINDER: The 3" space in height allows the installation of the planter above the tackboard / whiteboard

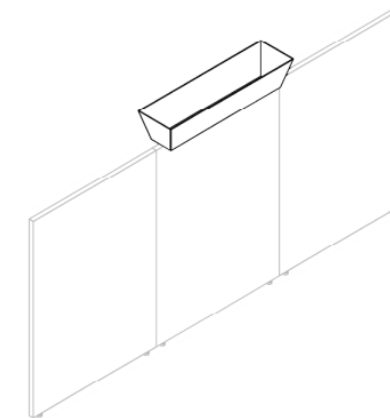


Width - Planter

30



LPLANTS
For surface
or island station

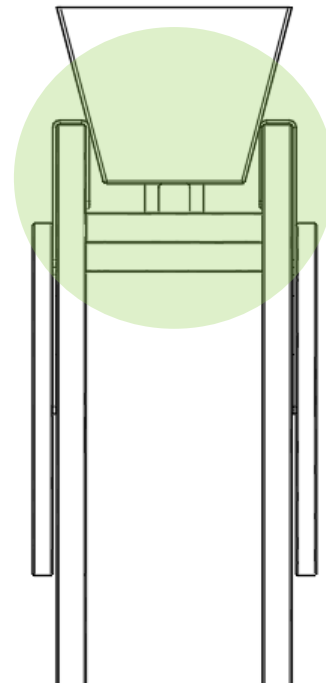
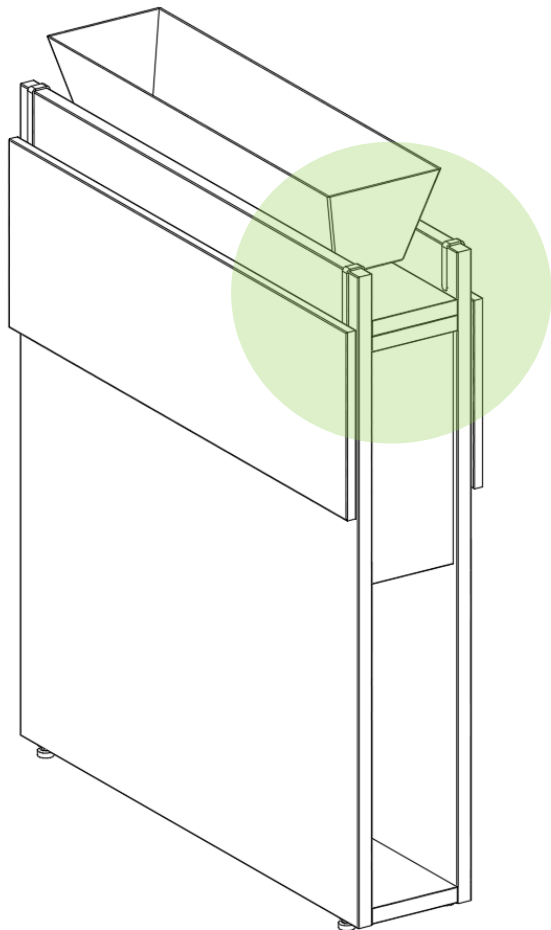


LPLANTP
For panel or
power wall

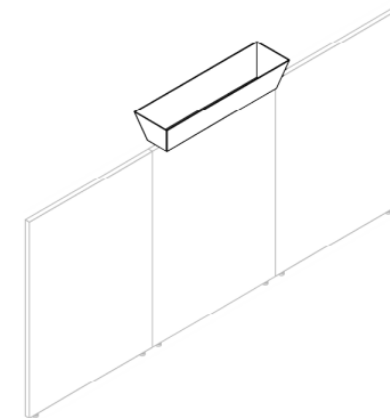


BABILLARD/TABLEAU BLANC & POT À PLANTE

- It is possible to install a tackbord/whiteboard on each side of the power wall even if there is a planter - LPANTP

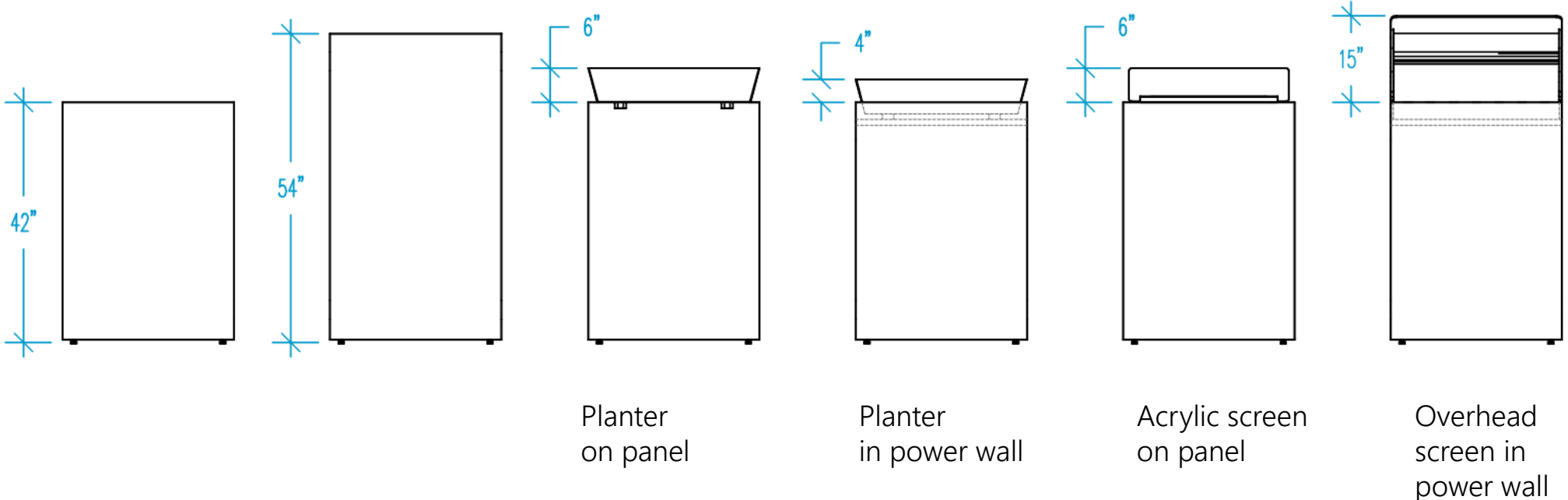


LPLANTP



LPLANTP
For dividing panel
or power wall

ADDITIONAL HEIGHT - ACCESSORIES

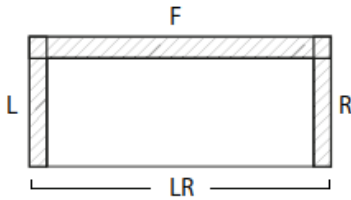




SURFACES

WIRE MANAGEMENT - WORKSURFACES

- 1.5" inch space option replace grommets and wave
- Many combination



Rectangular Surfaces

SPN (std) : No space.

SPF : Front.

SPL : Left.

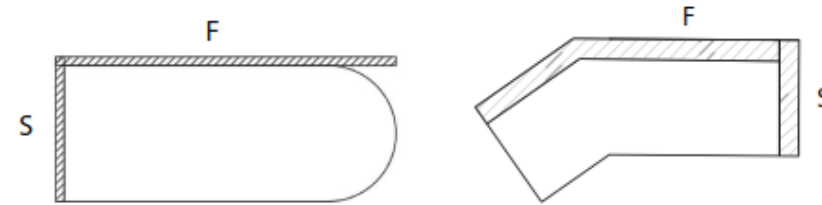
SPR : Right.

SPLR: Left and Right.

SPFL : Front and Left.

SPFR : Front and Right

SP3 : Front, Left and Right.



D and Collaborative Surfaces

SPN (std) : No space.

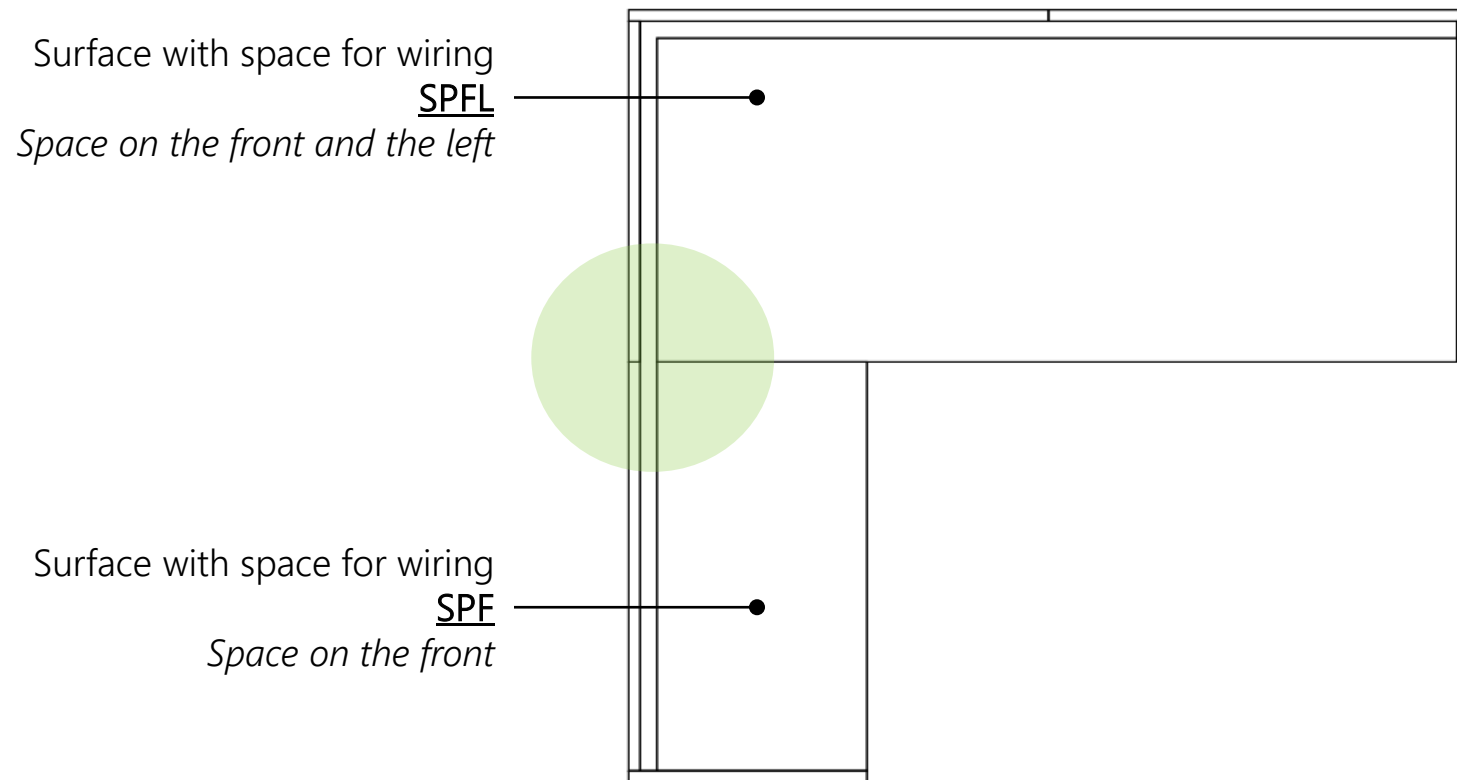
SPF : Front.

SPS : Side.

SPFS : Front and Side.

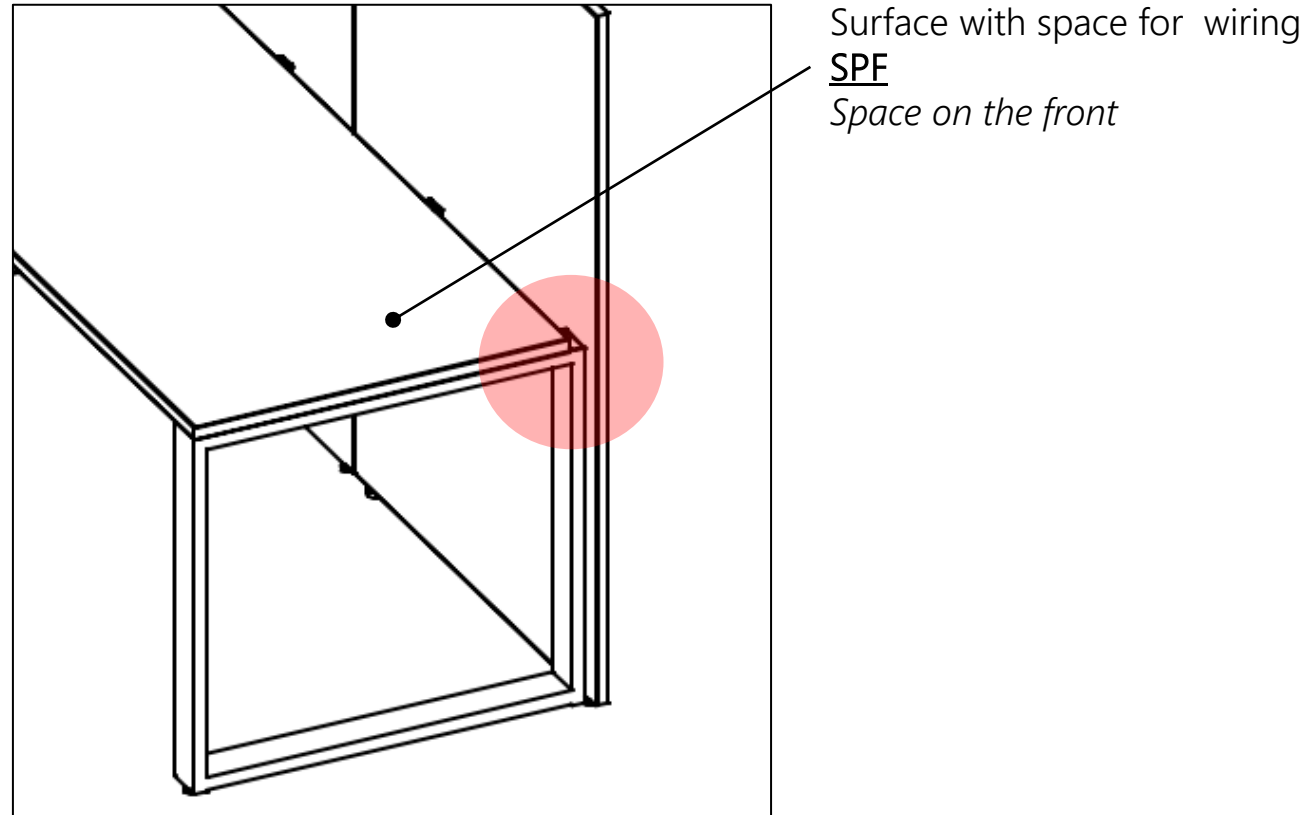
RETURNS – SPACE FOR WIRING

- When the return has a space for wiring on the front (SPF), make sure the surface has a space on the side, and vice versa.



SURFACES – SPACE FOR WIRING

- The 1 ½" space for wiring is not compatible with the o-leg (PATTEC30 & PATTEC36).



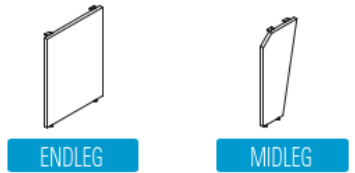


SUPPORTS AND LEGS

SURFACE SUPPORTS

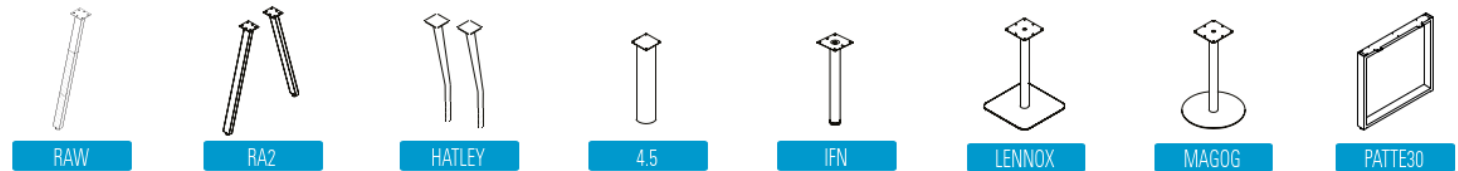
Laminate legs

- Surface support
- Securing the division panel



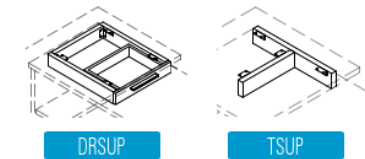
Metal legs

- Surface support
- Does not support dividing panel
- If panel, to be used with the flat cantilever



Supports for layering surfaces

- Surface support
- Needs high pedestal (25"H)
- The panel is fixed by the high pedestal



Cantilever supports with reinforcement

- Surface support
- Securing the division panel
- *Does not require the use of stiffeners*



SURFACE SUPPORTS (cont'd)

Flat cantilever supports

- To support end or corners of surfaces when cantilever with reinforcement is not possible
- Securing the division panel



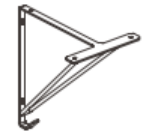
CNTC01



CNTC02

Shelf support

- 15" D surface only
- Maximum of 42" between two supports



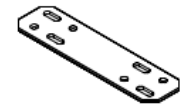
CNTSH

Stiffeners and junction plates

- Solidifies the surface
- Complementary to supports
- Not used for supporting surfaces or fixing panels



RSTF



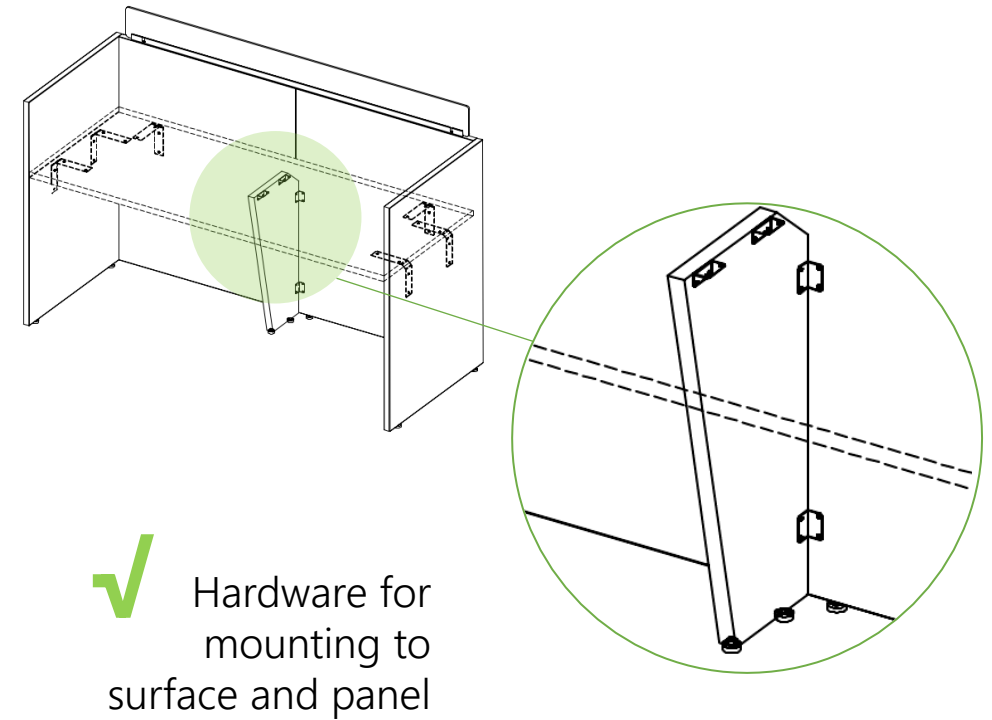
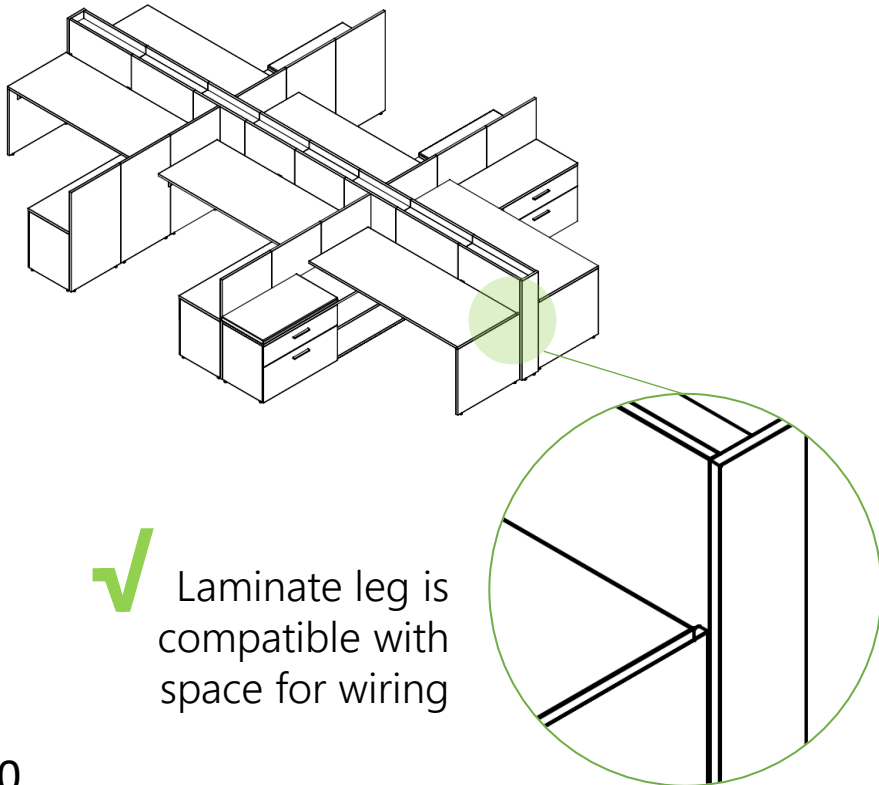
FP2BL

Independant pedestals

- Surface support
- Securing the division panel

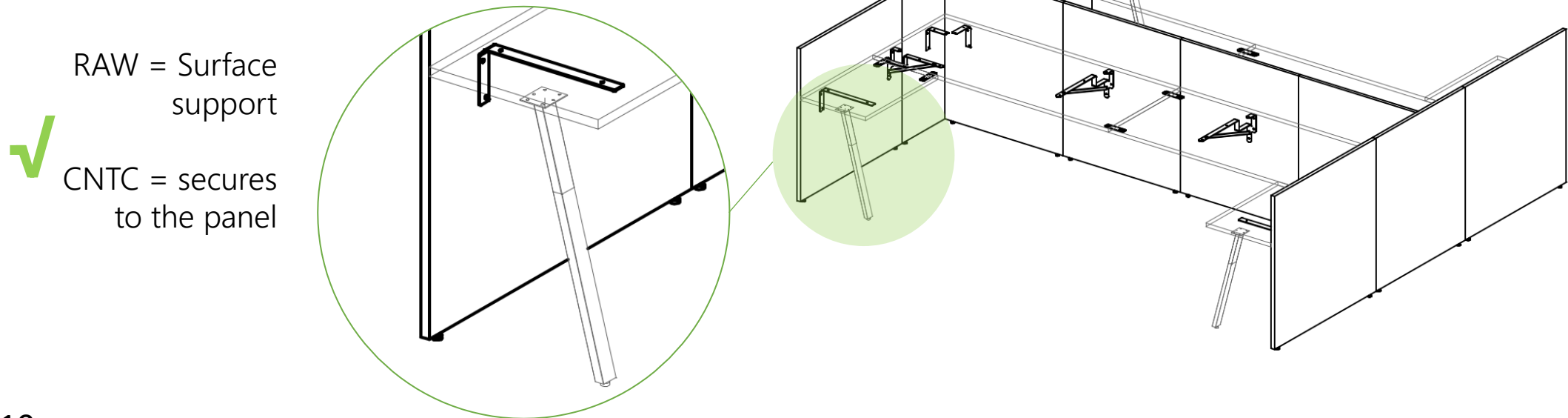
LAMINATE LEGS

- Full leg = end of the row. Half-leg = intermediate support.
- Supports the surface, and attaches to the panel
- Does not require other types of reinforcement



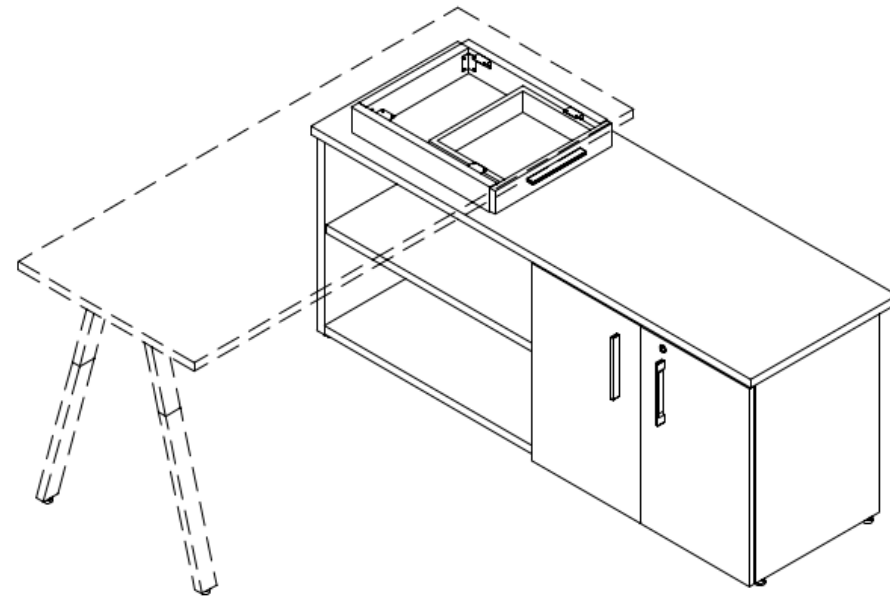
METAL LEGS

- Surface support only
- To be used when the visual requires it
- When the surface is next to a panel, all legs must be used with flat cantilever supports (CNTC) to solidify the panel



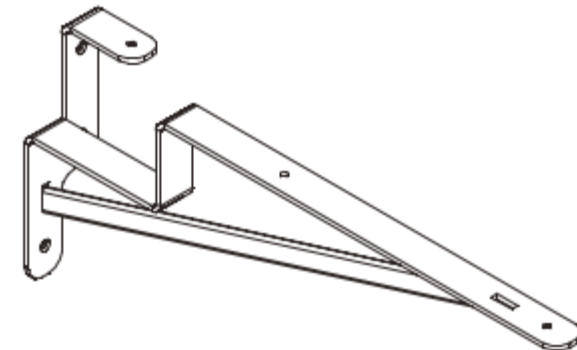
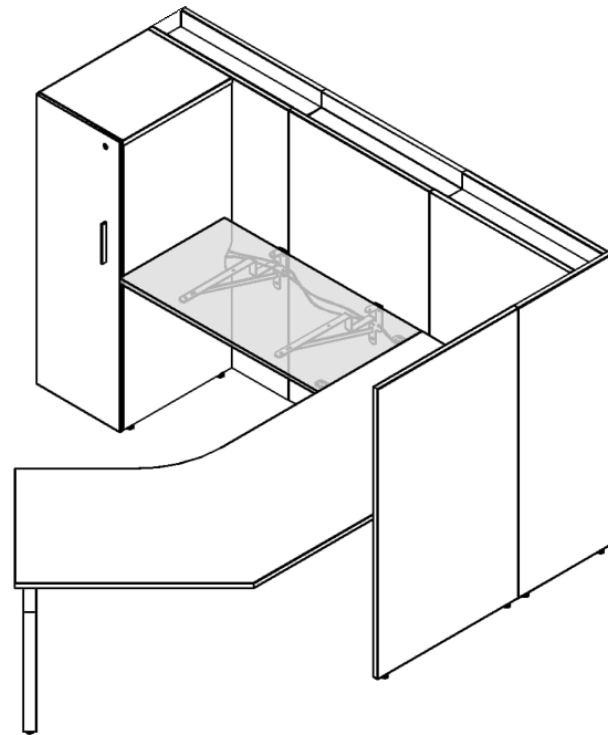
LAYERING SURFACE SUPPORTS

- To be used with 25" high pedestals
- The fixing of the panel is done with the pedestals



CANTILEVER SUPPORTS WITH REINFORCEMENT

- **Main bracket to use**
- Used to stabilize the panel and support the surface
- Starts 6" from end of surfaces or unsupported panels
- Maximum distance between 2 supports: 42"

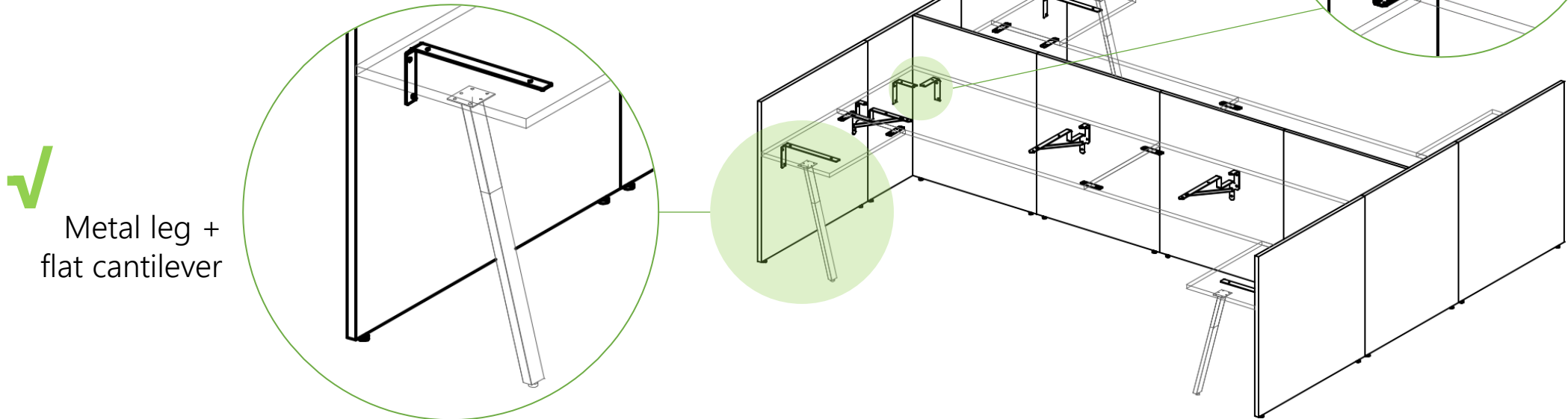


CNT01 : 16.5", for 20"D surfaces
CNT02 : 20.5", for 24"D and 30"D surfaces
CNT03 : 27", for 36"D surfaces

FLAT CANTILEVERS

- To use when the previous cantilever is not possible:
 - At the end of the surface when visible
 - To combine with metal legs
 - Corner of surfaces
- Starts 6" from end of surfaces or unsupported panels
- Maximum distance between 2 supports: 36"

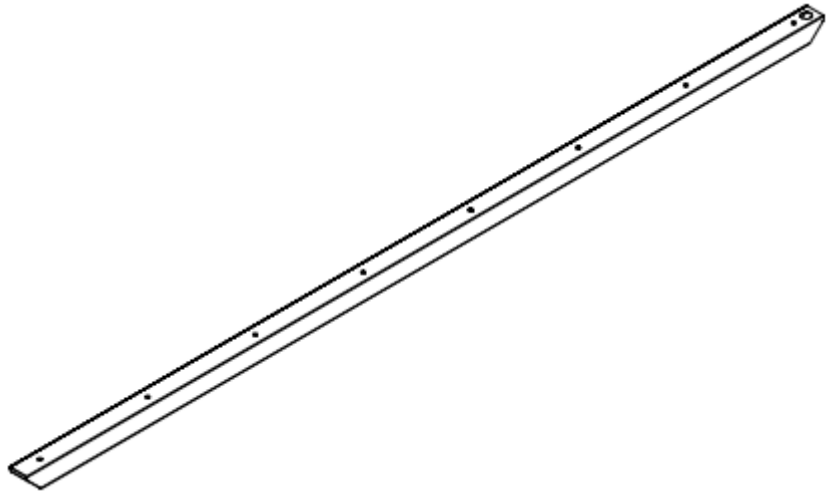
CNTC01 : 6", for surface less than 30"D
CNTC02 : 16", for 30"D surface and more



CNTC = Corner of surfaces

STIFFENERS RSTF

- Stiffeners are specified when the surface is 54" or more:
 - Depths of 20" and 24": 1 stiffener.
 - Depths of 30 and 36": 2 stiffeners.
- Surfaces supported by cantilevers with reinforcement do not need stiffeners (CNT01/CNT02/CNT03)

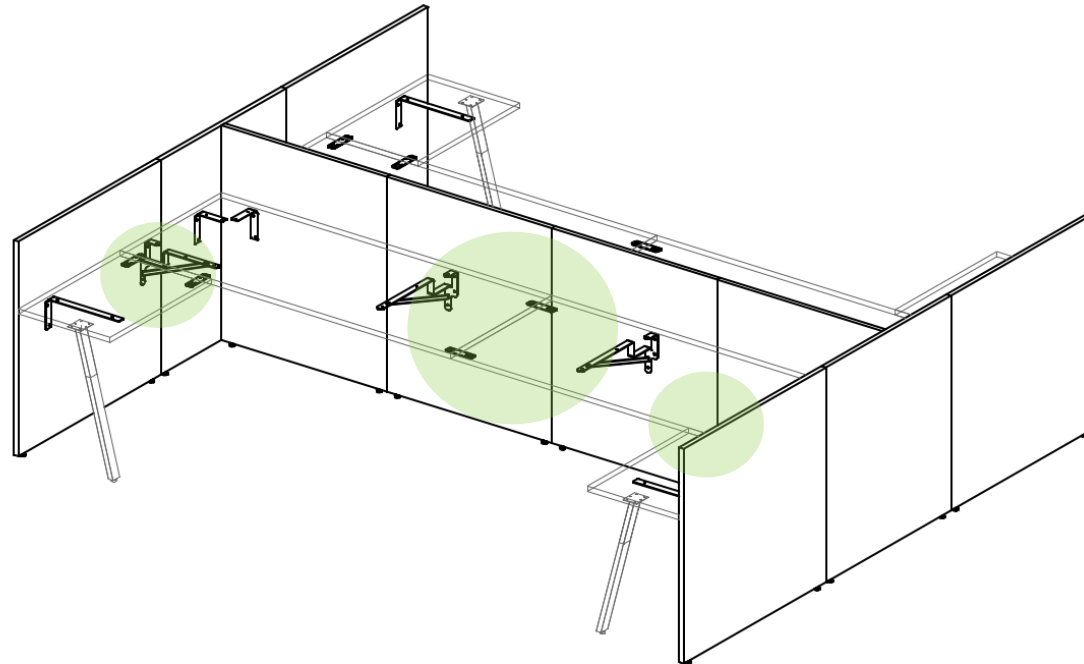
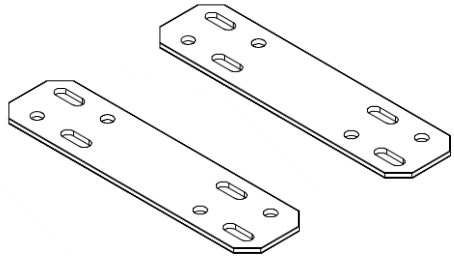


Stiffener dimensions	Surface width		
	Surface without pedestal	Surface with - 1x 16" ped. or - 1 layering support	Surface with - 2x 16" ped. or - 1 30" to 42" ped.
40"	48"	66"	96"
46"	54"	72"	-
52"	60"	84"	-
58"	66"	96"	-
64"	72" and more	-	-



JUNCTION PLATES FP2BL

- 2 junction plates must be specified when there is a connection between two surfaces

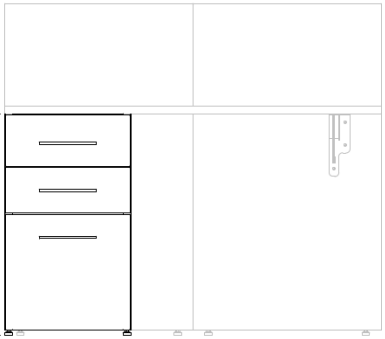




STORAGE

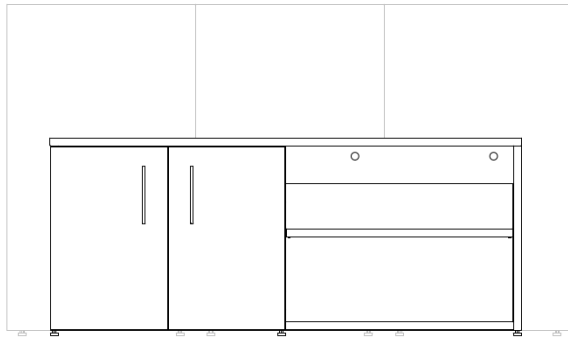
STORAGE

- There are 5 types of Xtension storage::



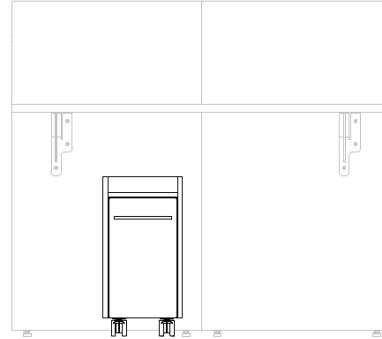
Independant pedestals

- 28"H
- Without surface
- Can support surface
- Recessed back and sides, with opening
- To be fixed to the dividing panel or power wall



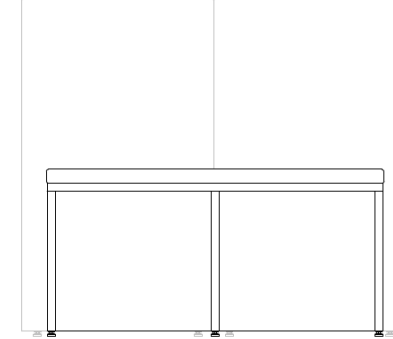
High pedestals

- 25"H
- With surface
- For layouts with layering surface
- Recessed back and sides, with opening
- To be fixed to the dividing panel or power wall.



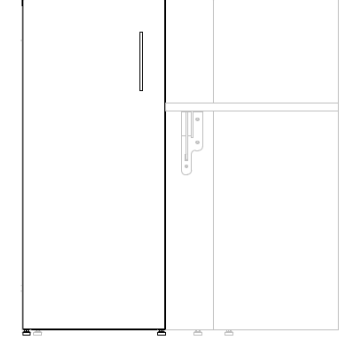
Mobile pedestals

- 20"H.



Benches

- 20½"H, including a 1½"H cushion
- Finished back.
- Can secure the dividing panel.
- To be fixed to the division panel to support it, if necessary.

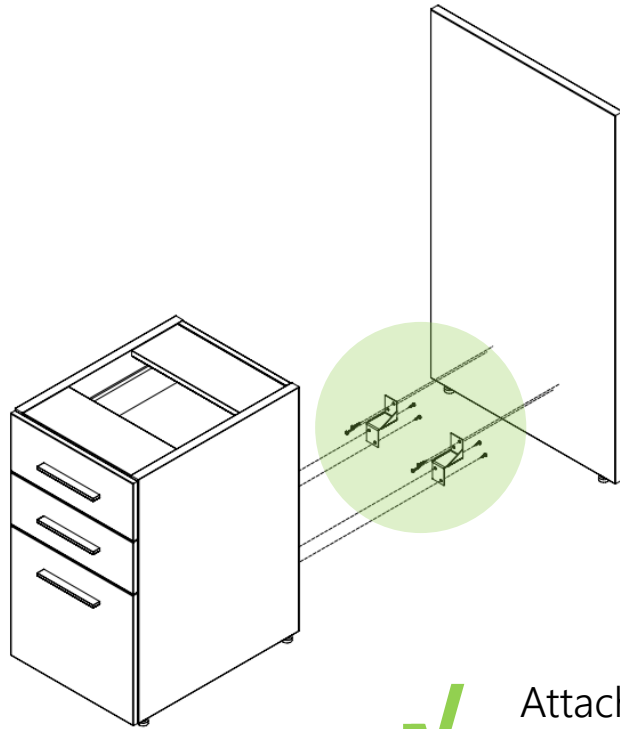


Storage towers

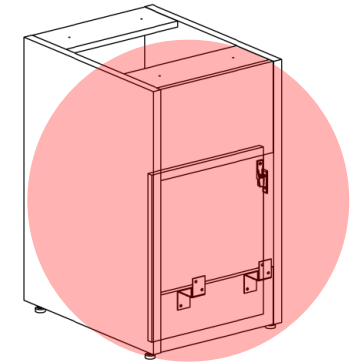
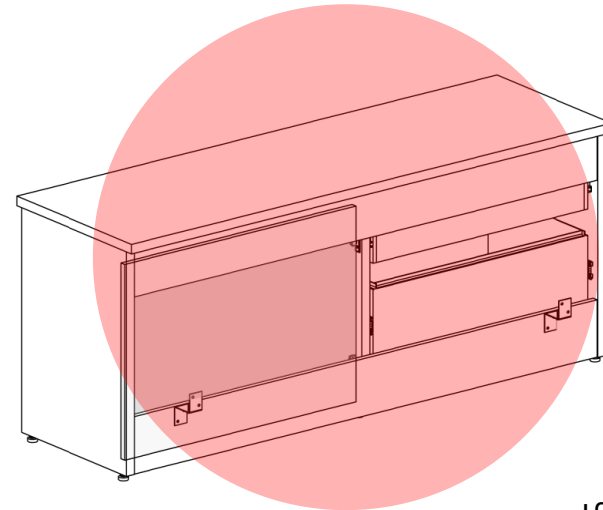
- 42"H or 54"H
- Finished back only when this is no wire management
- To be fixed to the division panel to support it, if necessary.

INDEPENDANT AND HIGH PEDESTALS

- 2-3/8" recess on the back and sides for wire management
- A 12.5"H opening in the back provides access to wiring or power supply
- Pedestals must be fixed against dividing panels or power walls.



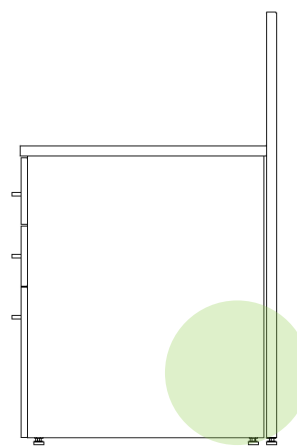
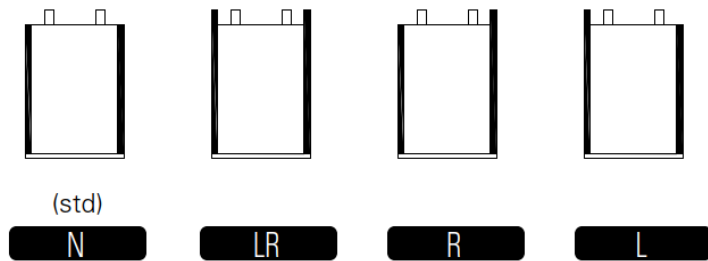
Attachment to the panel or wall using brackets



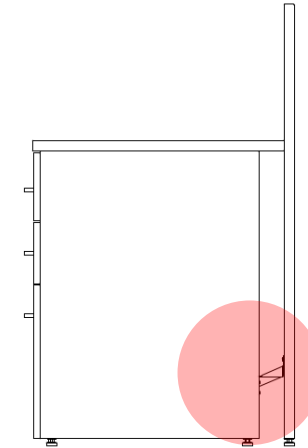
If there is no wall or panel, the back is open

INDEPENDANT AND HIGH PEDESTALS (cont'd)

- Full leg option must be specified when the pedestal is at the end of the row.
- Pedestal must have the depth as the surface
- REMINDER: Check that stiffeners or supports do not conflict with the pedestal



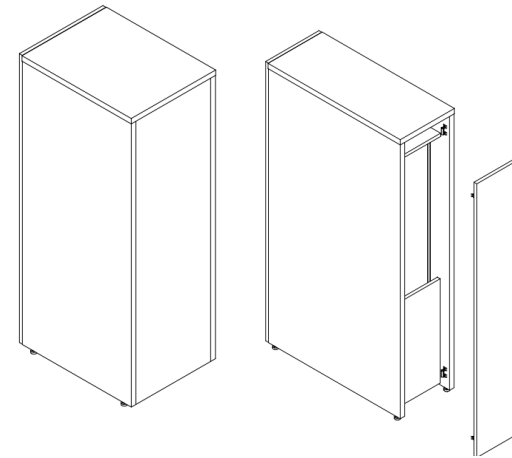
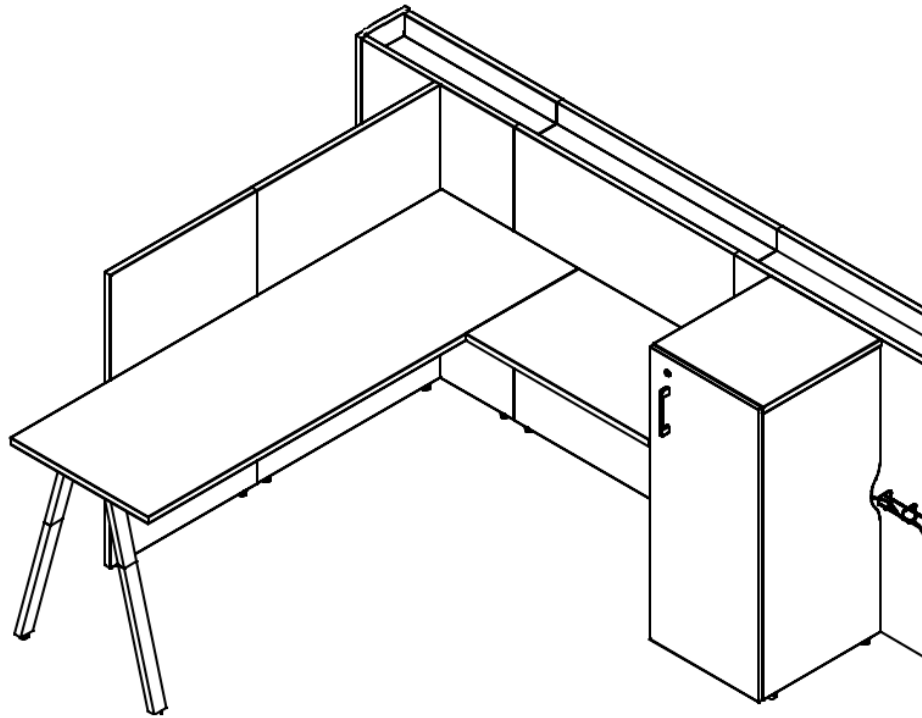
✓ Full depth leg
to hide wiring



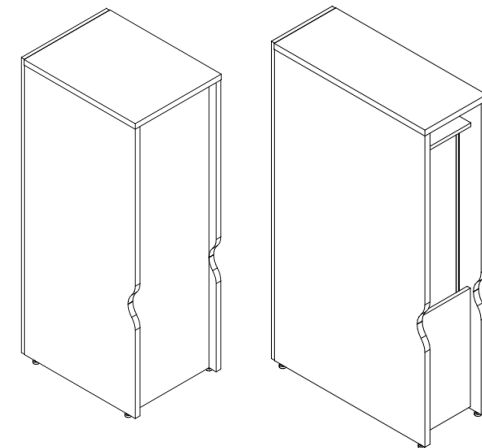
✗ 2-3/8" recess on
the back and sides"
Brackets and wiring
are visible

STORAGE TOWERS

- When electrical management is required, the recessed back with notch option must be specified.
 - The tower must then be installed against the power wall or panel
 - The tower must then be the same height as the panels or walls



Dos plein



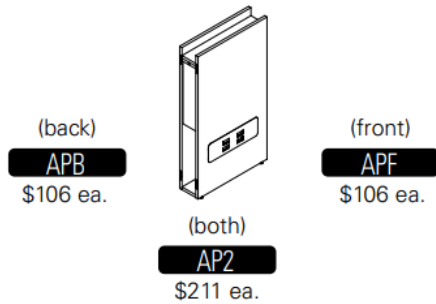
Encoche avec dos en retrait



WIRE MANAGEMENT

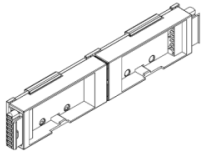
ELECTRICAL COMPONENTS - POWER WALLS

- Electric box with cover plate option includes power block
- Available for walls of 24"L and more



Includes

BE-DHB
Double half power block



APB / APF = 1 block
AP2 = 2 blocks

To add

BE-D20-C
Duplex



2 duplex / block

BE-J
M/M jumper



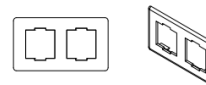
Between each block

BE-HW
Hardwired conduit power entry



1 per layout

BE-TELB
Telecom plate



2 per cover plate

- *Blank plate also available*
- *Ports sold separately*

POWER WALL – WIRE MANAGEMENT EXAMPLE



REMINDER: the end panel can have a grommet when the power supply comes from the wall or electrical pole.

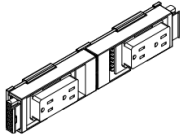
ELECTRICAL COMPONENTS – PANELS ONLY

- List of recommended products:

Electrical system

BE-KDHB-4

Assembly of two double half power bloc



1-sided kits

- 1 circuit also available

BE-J

M/M jumper



Between each block

BE-HW

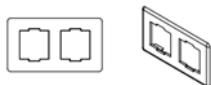
Hardwired conduit power entry



1 per layout

BE-TELB

Telecom plate



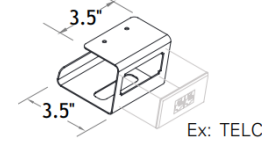
1 per layout

- Blank plate also available
- Ports sold separately

Supports

SMWM

Cable Support



To be fixed under the surface

CT

Metal cable tray



To be fixed under the panel

- Velcro tie also available

DSG

Double-sided grommet



For passing wiring through panels

- Panel must be drilled on site
- Grommets must be cut on site

PANELS ONLY – WIRE MANAGEMENT EXAMPLE



MIXED COMBINATIONS



DO NOT FORGET INSTALLATION GUIDES

Installation guides must be included in the order.
We recommend for every 10 workstations:

- 1x IGS (guide for surface supports).
- 2x IGWM (guide for 1½" space for wire)

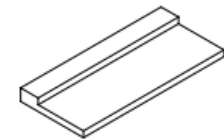
IGS

Installation guide for surface supports



IGWM

Installation guide for 1½" wire
management space for surfaces



GUIDES

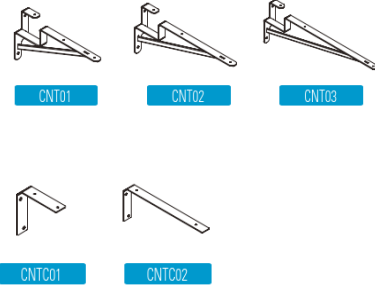
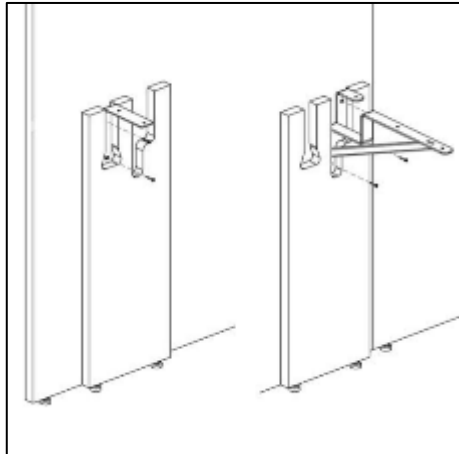
IGS

Installation guide for surface supports



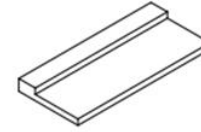
Brackets installation

- CNT01 / CNT02 / CNT03
- CNTC01 / CNTC02



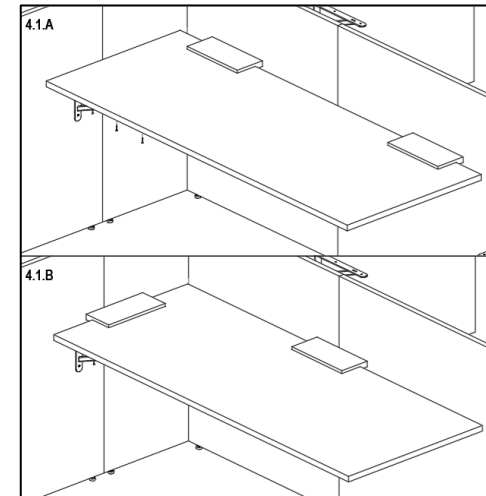
IGWM

Installation guide for 1½" wire management space for surfaces



Surface installation

- After the installation of brackets
- 1½" space for wire

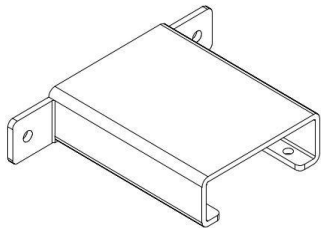




ELEVATION PLUS

ELEVATION PLUS TABLE

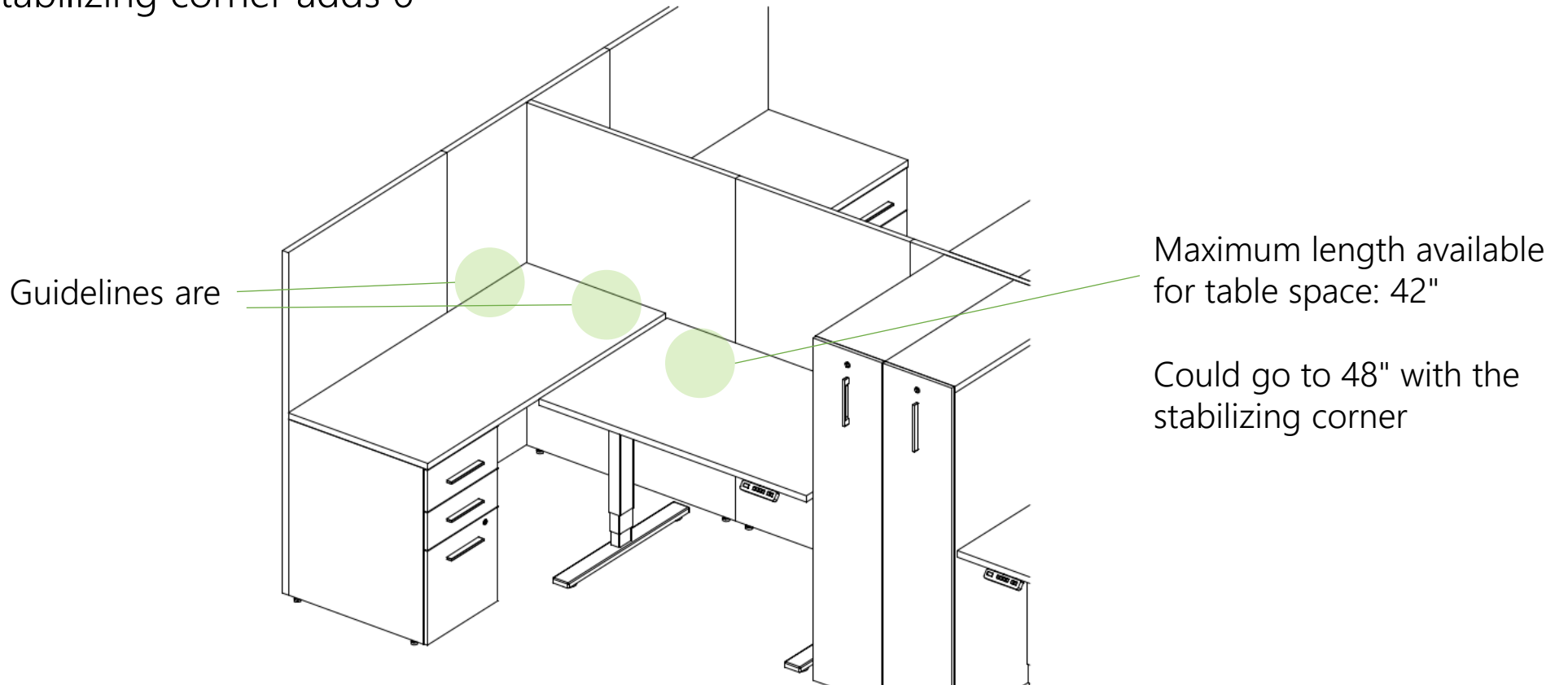
- The technical specifications of Elevation Plus must be (ref.: Elevation Plus price list)
 - **1" clearance:** The dimensions of the table are designed to leave a clearance of 1" when the table is surrounded by panel system. This clearance prevents fingers from being pinched when activating the mechanism.
 - **Clearance in height:** Clearance must be left under and above the table for the operation of the mechanism.
 - **Positioning the table:** We recommend the use of positioning brackets so that the table does not move from its position. The following accessories can be found in the Elevation Plus price list.



EPF : is used to fix the table on the front. The 1" clearance is respected. In Black or Satin Nickel finished metal.

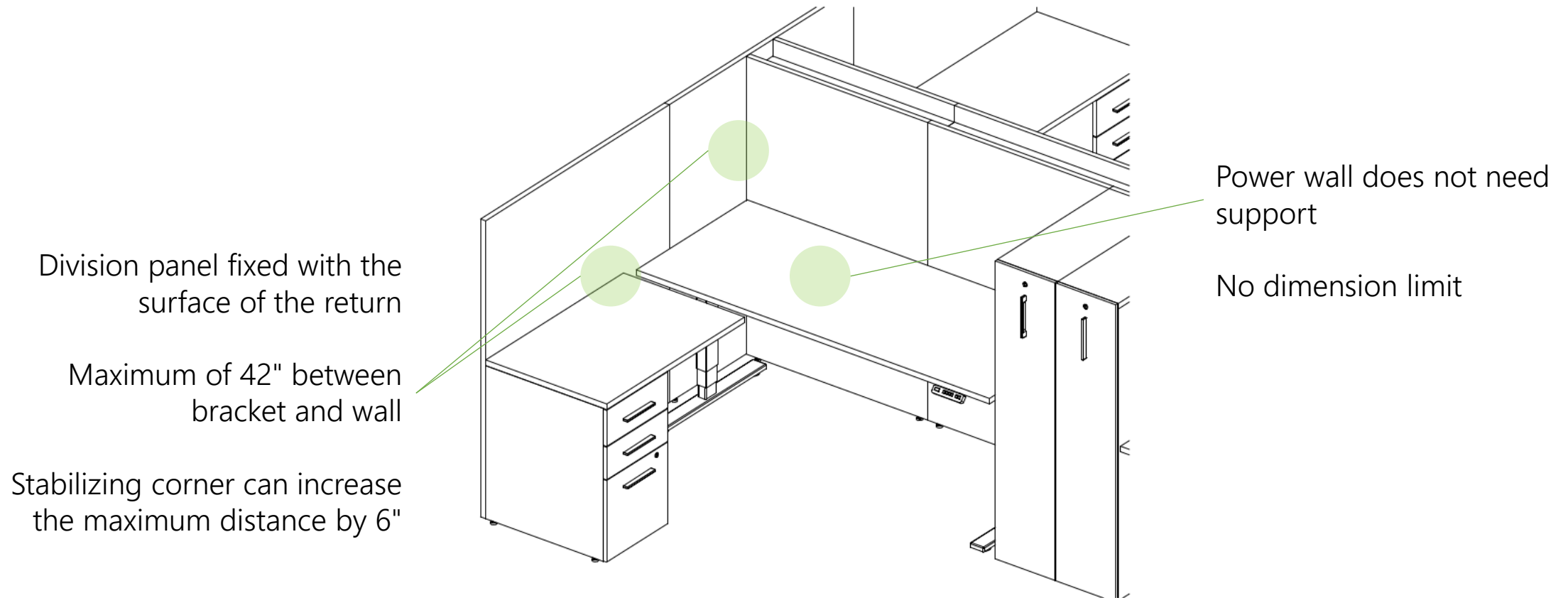
ELEVATION PLUS & PANELS

- Since the dividing panels are not self-supporting, these specification guidelines must be observed:
 - Between 2 supports: 42"
 - End of row: 24"
 - Stabilizing corner adds 6"



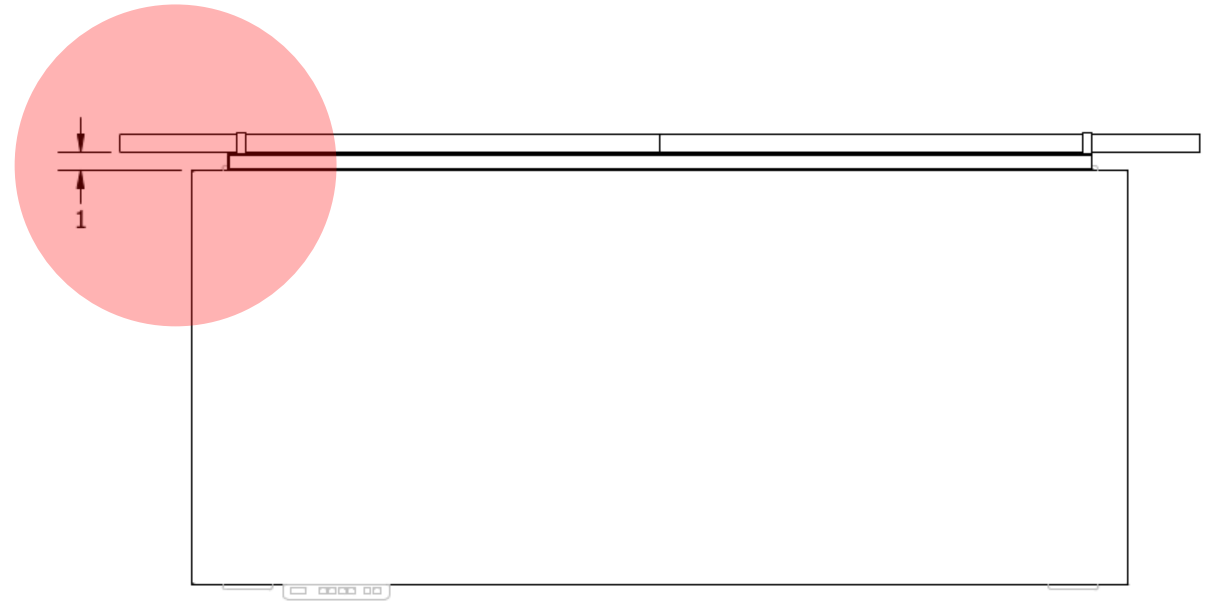
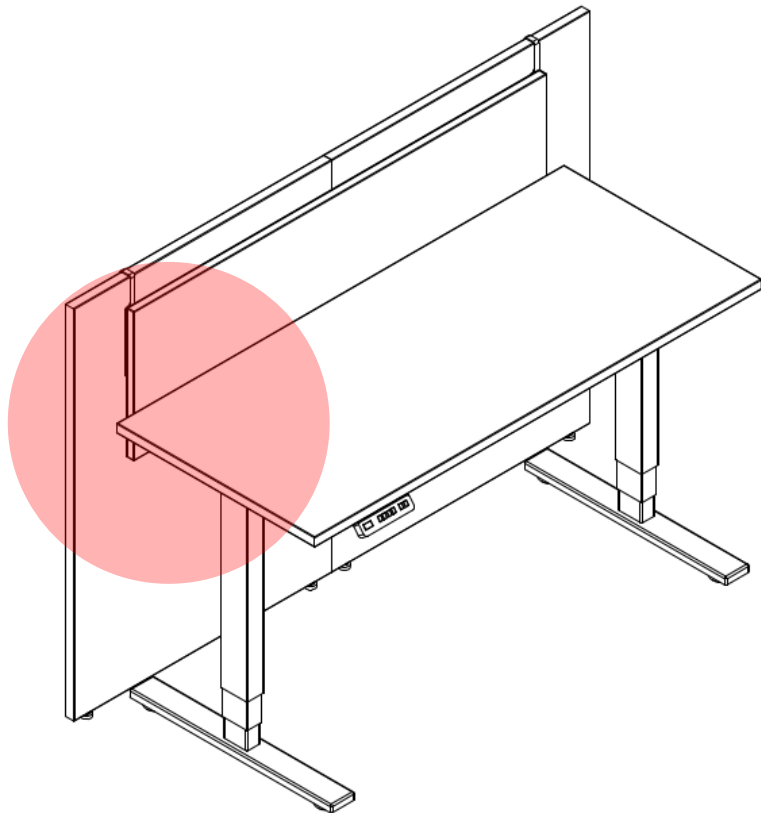
ELEVATION PLUS & POWER WALLS

- There are no size or positioning restrictions when a height-adjustable table is positioned along a power wall.



ELEVATION PLUS & TACKBOARDS/WHITEBOARDS

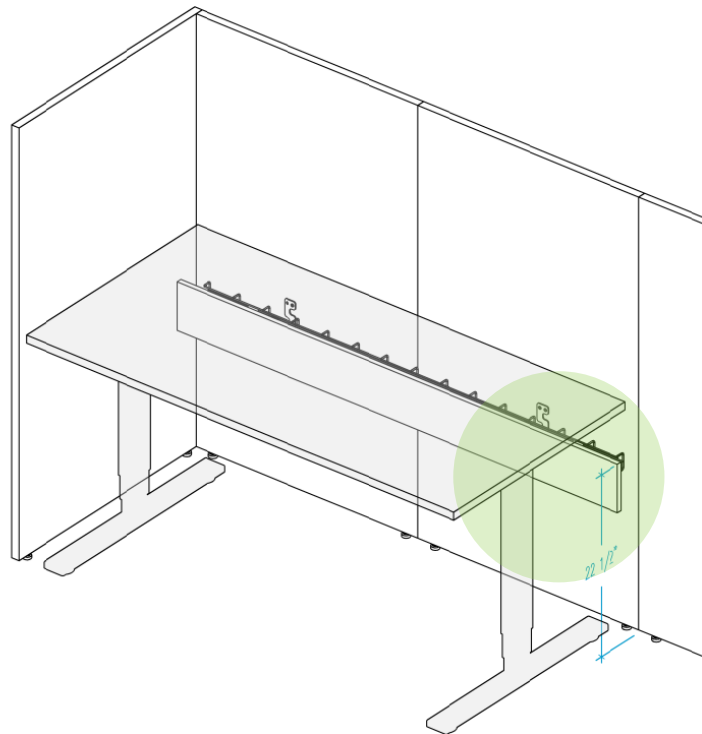
- It is not recommended to install a tackboard/whiteboard with an Elevation Plus table, as there is a risk of conflict with moving the table.
- If the tackboard is needed, make sure you have an additional 1" clearance.



The bulletin board takes away the 1" clearance necessary for the safe operation of the adjustable table

ELEVATION PLUS & CABLE TRAY

- CTCOVER: The cover panel is specified when the cable tray is under the adjustable table
- Order the fabric sleeve to camouflage the wires. Ref.: Elevation Plus Price List
- With a fixed return: the cable tray is divided into 2 at the junction of the table and the return in order to place them at 2 different heights.



✓ Cable tray (CT) installed at 22½"H max. and that does not exceed the width of the table

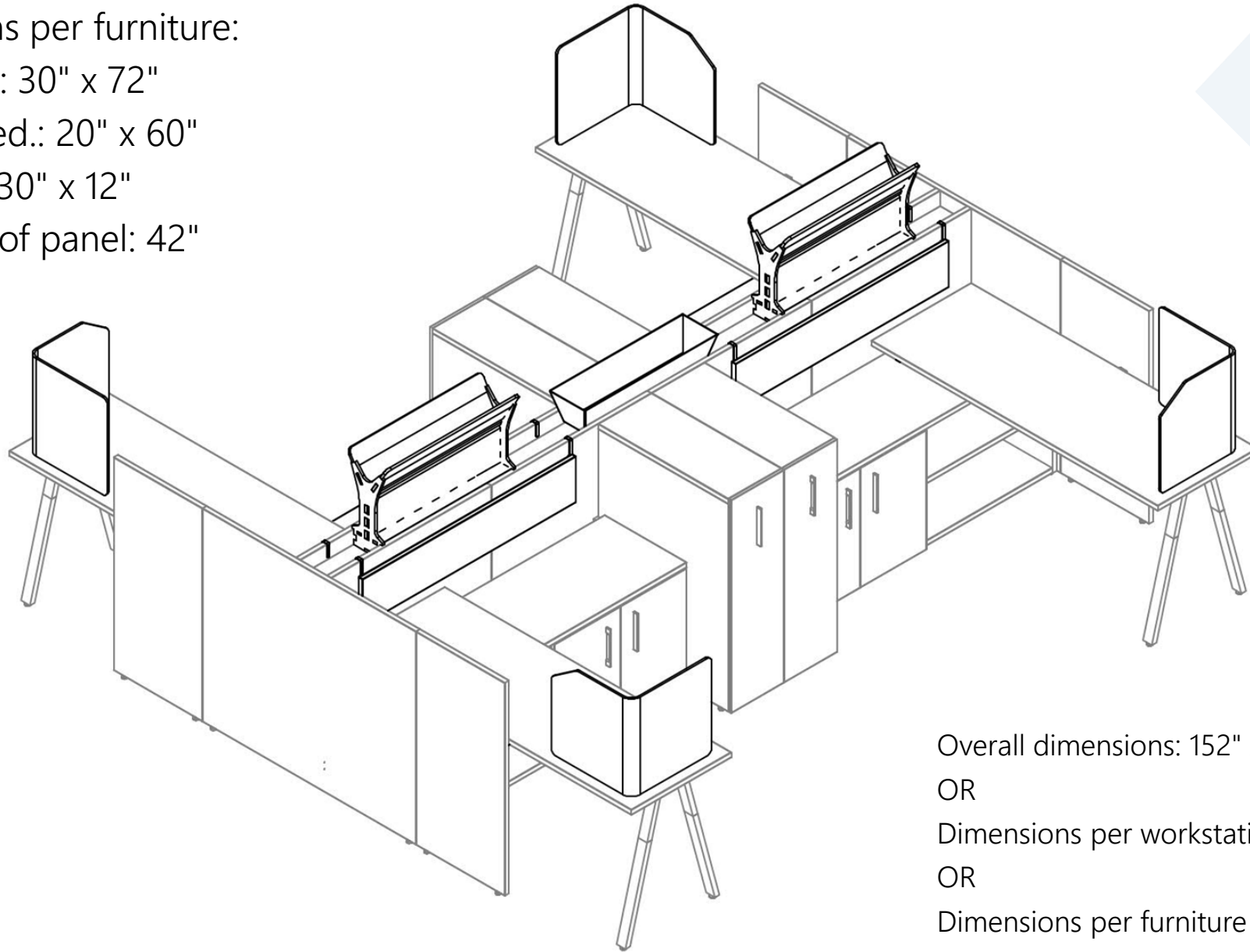
CTCOVER to camouflage wires and cable tray



LAYOUT SPECIFICATION

Dimensions per furniture:

- Surface: 30" x 72"
- High ped.: 20" x 60"
- Tower: 30" x 12"
- Height of panel: 42"



Overall dimensions: 152" x 146"

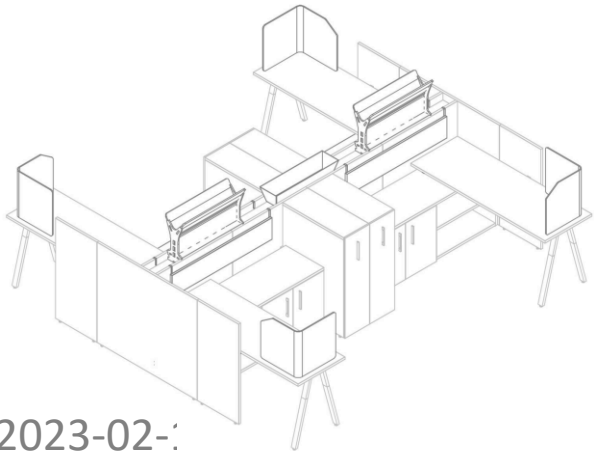
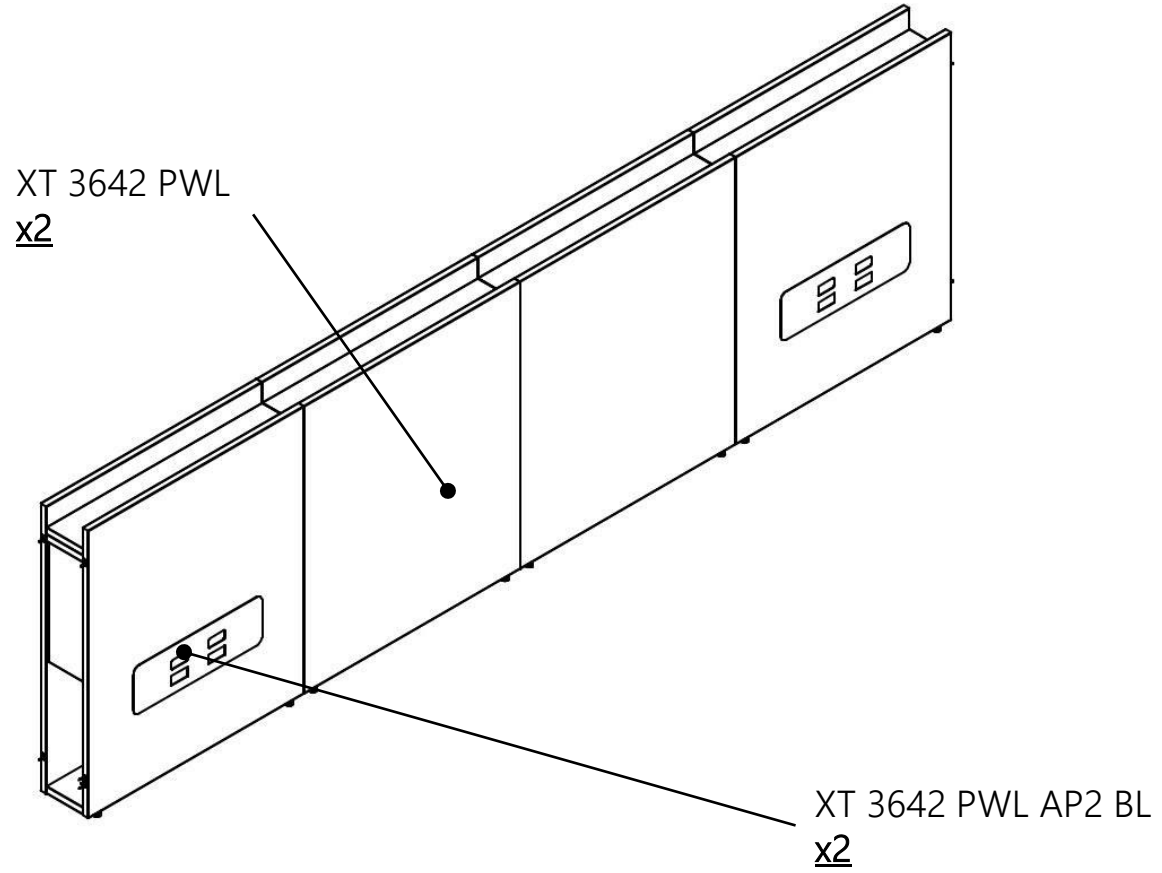
OR

Dimensions per workstation: 72" x 72"

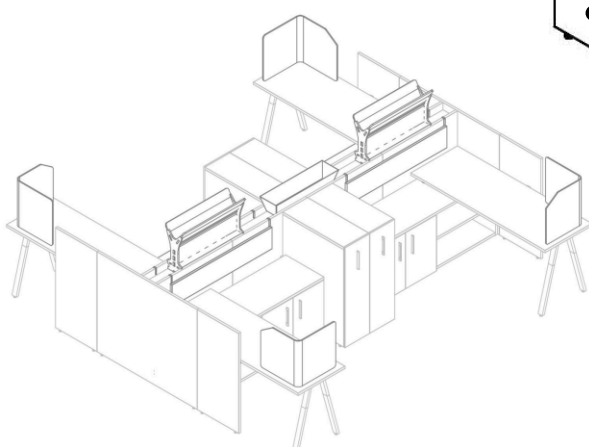
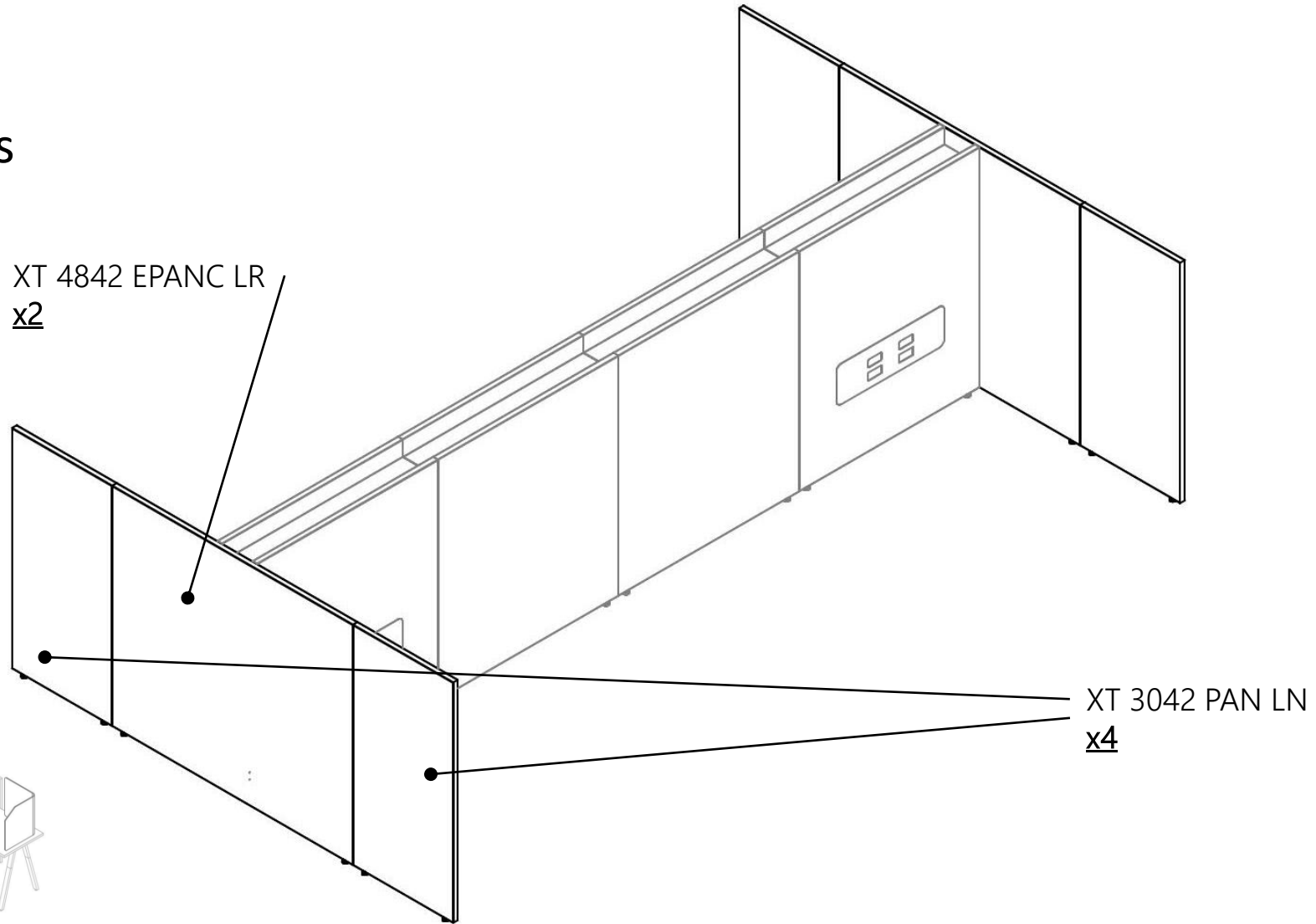
OR

Dimensions per furniture

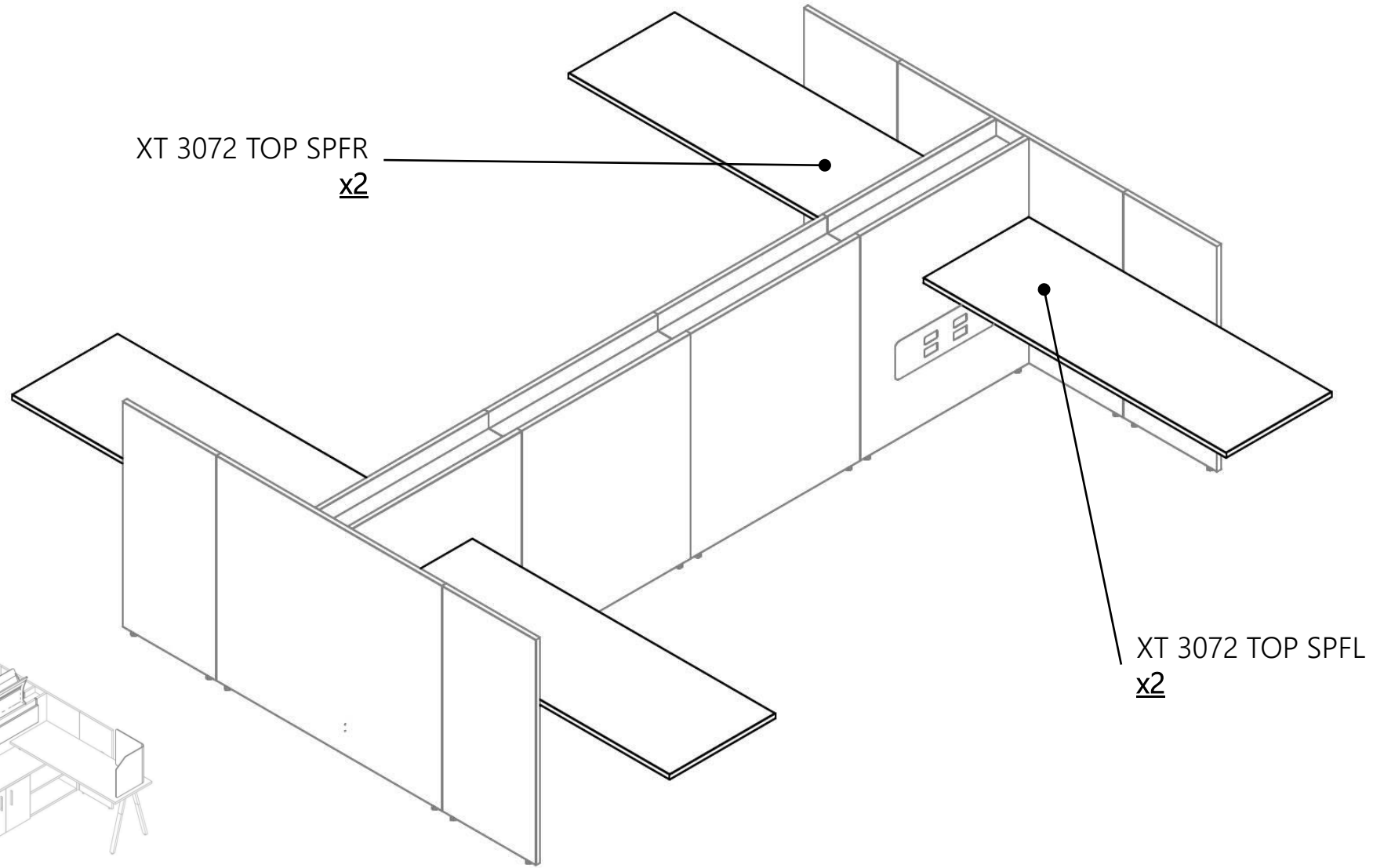
1. Power Walls



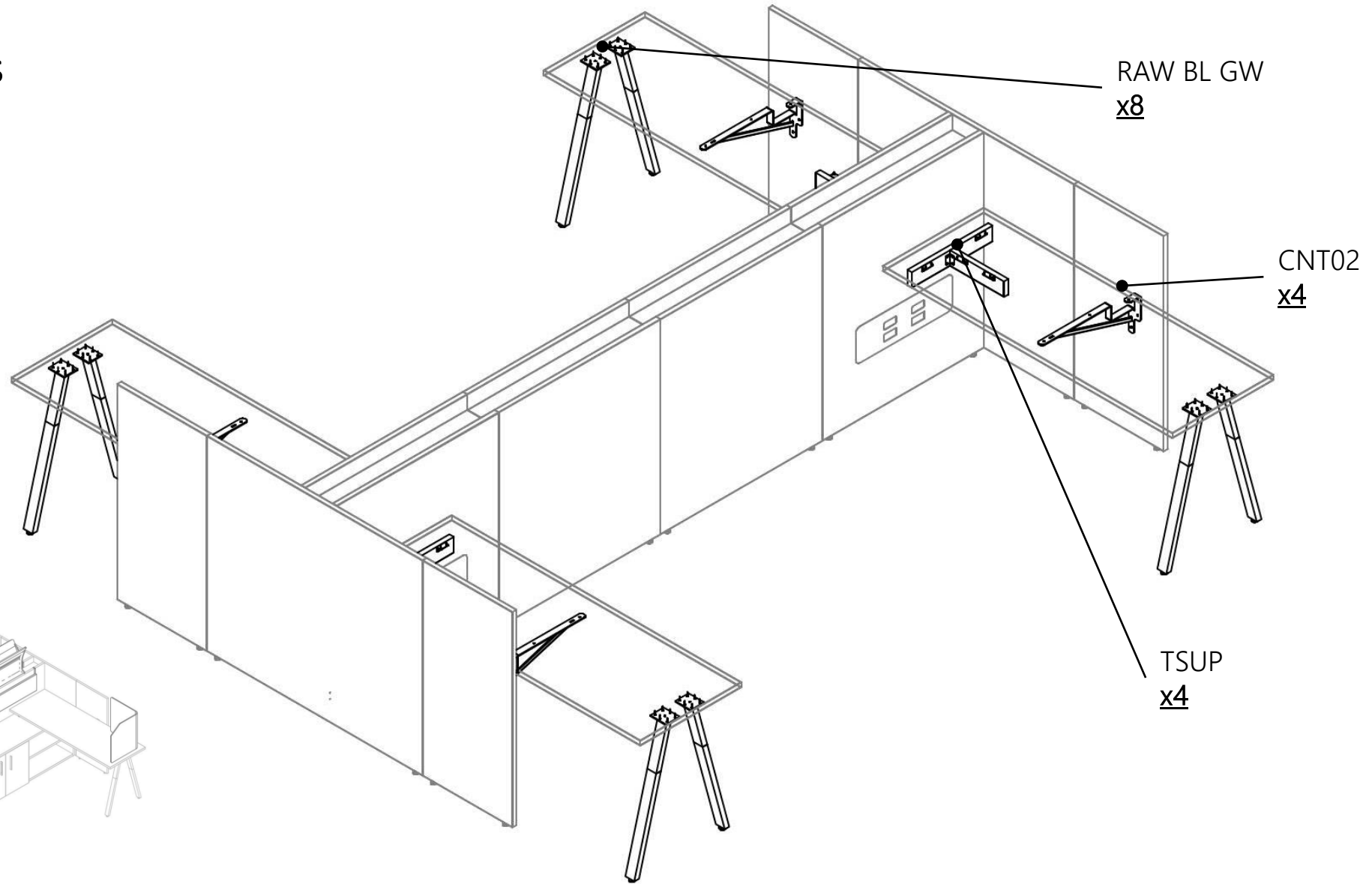
2.
End Panels
Dividing Panels



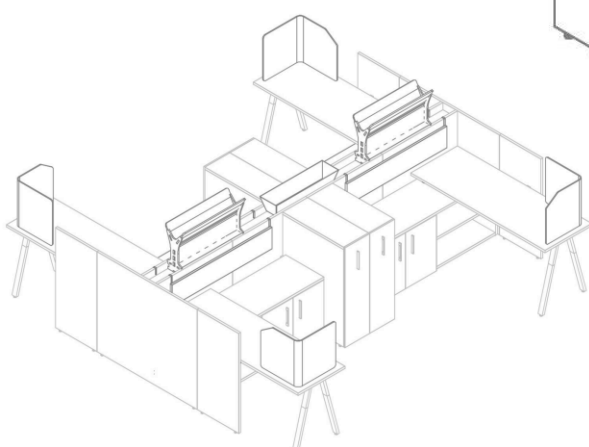
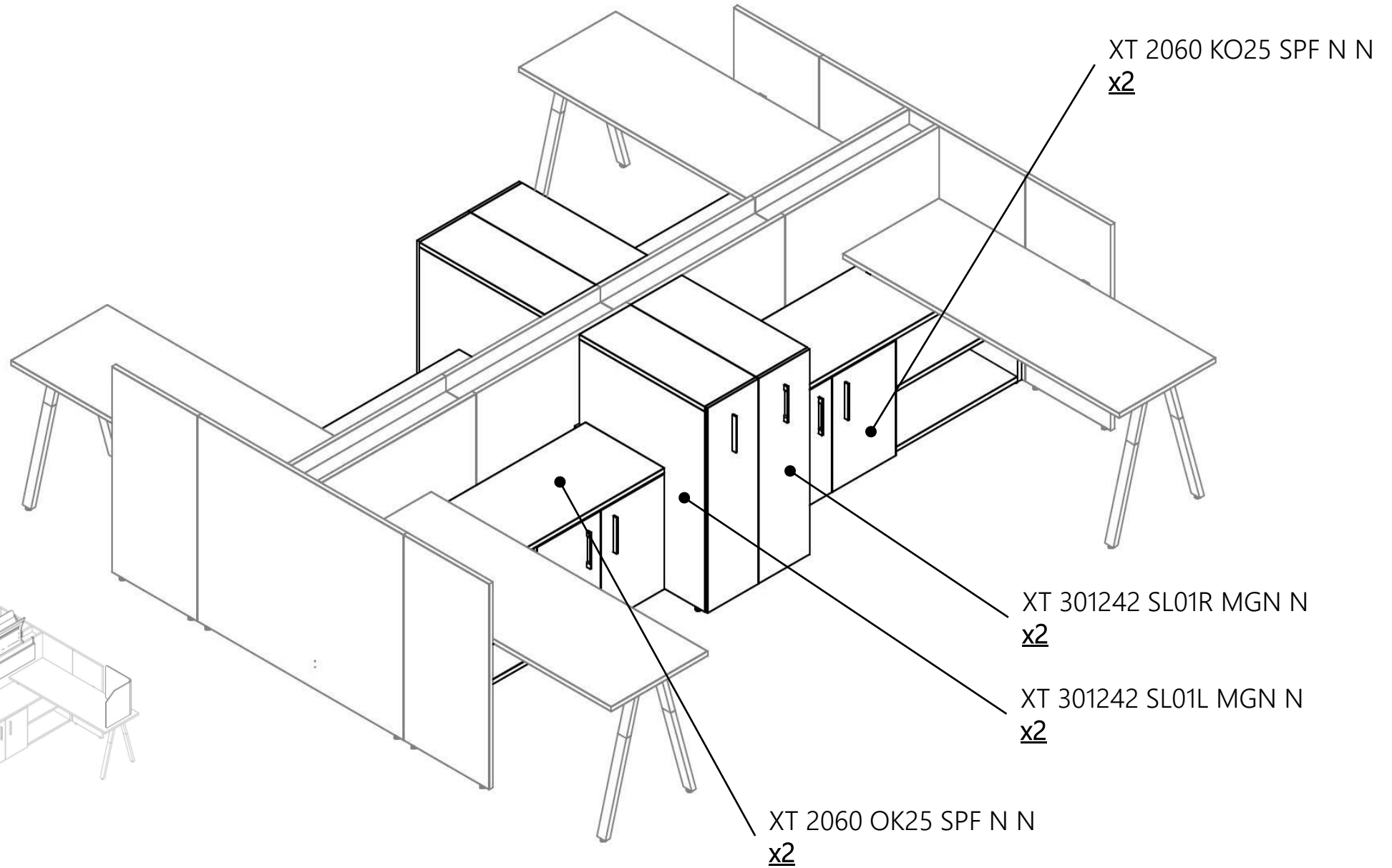
3. Surfaces



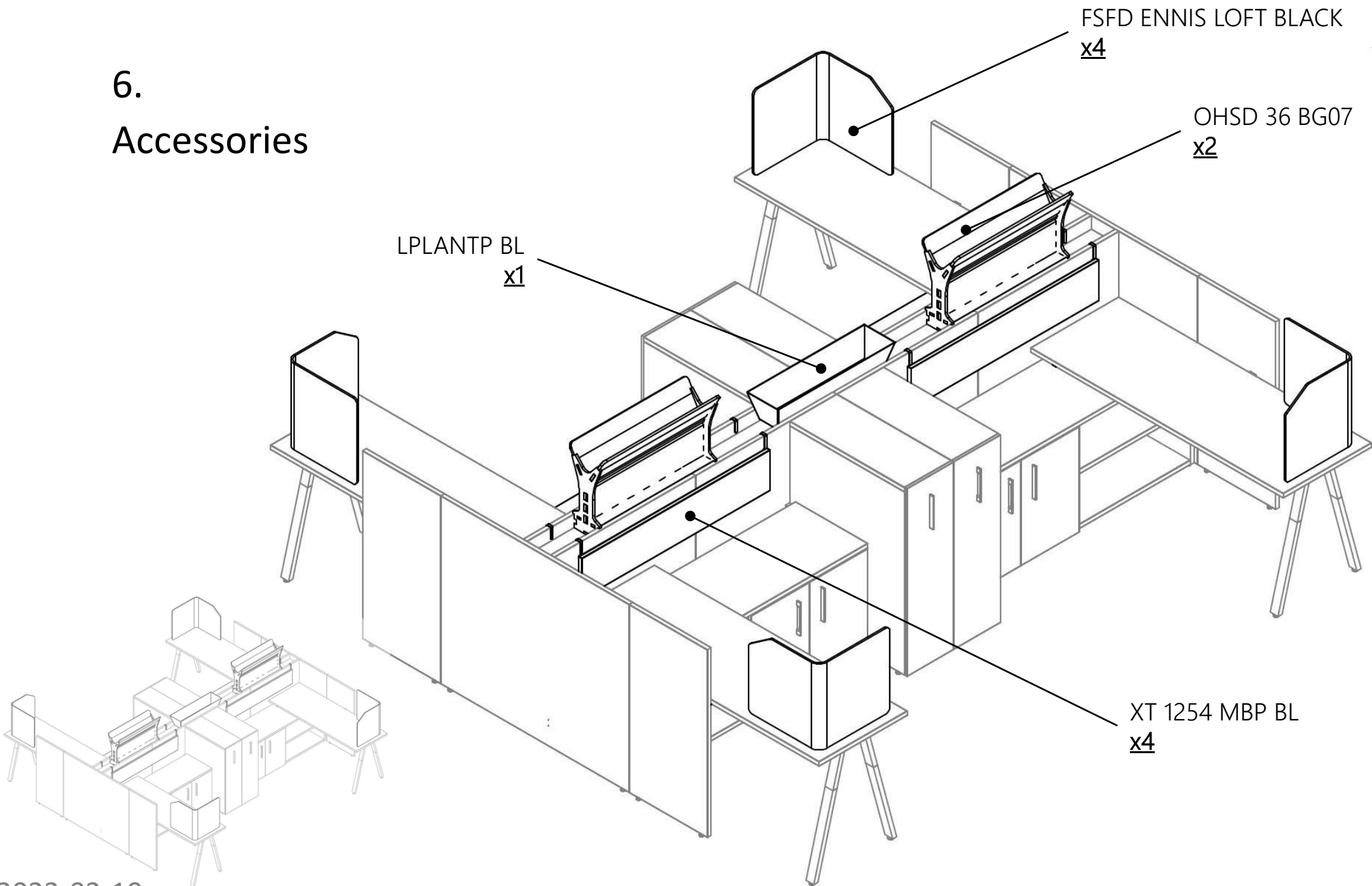
4. Supports



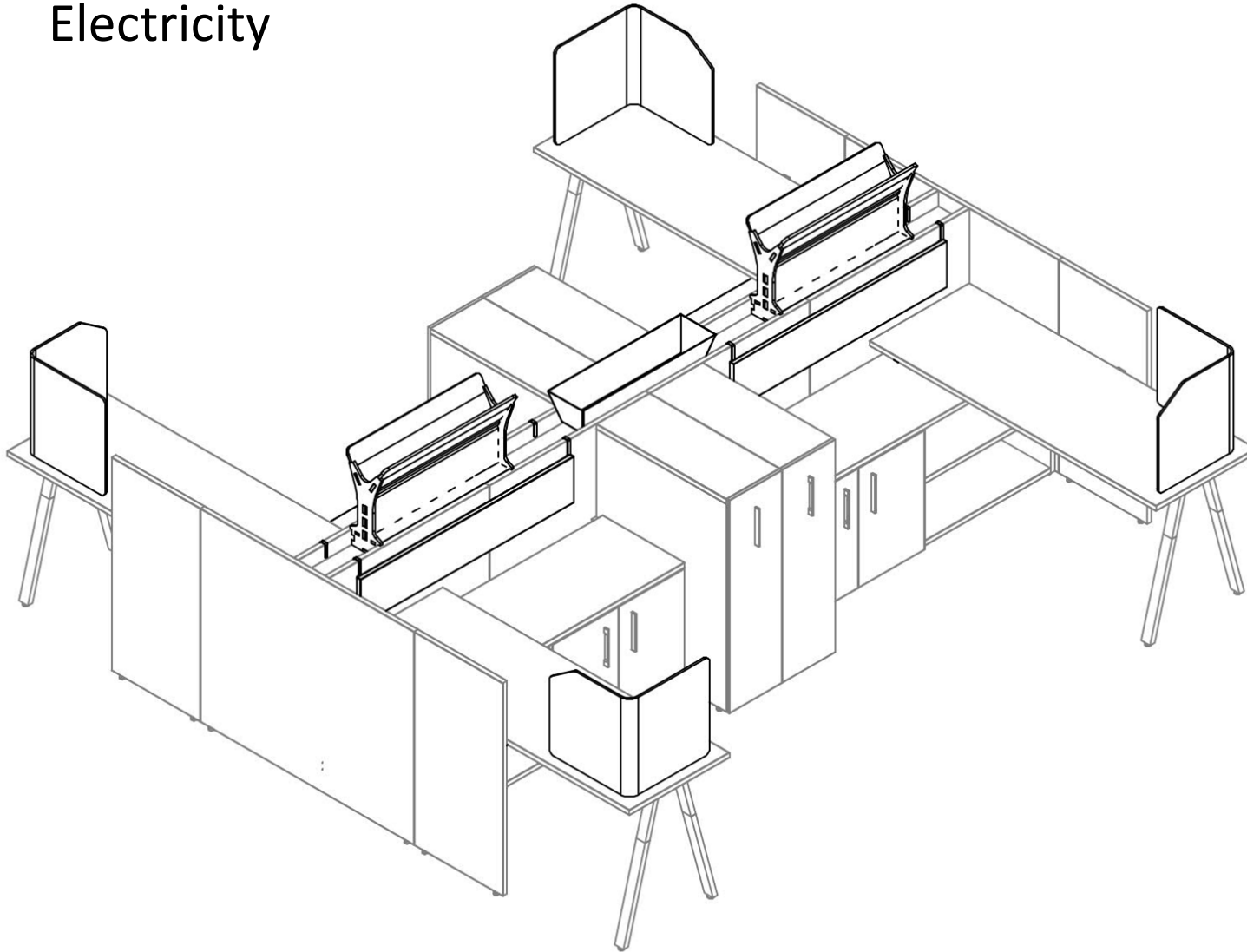
5. Storage



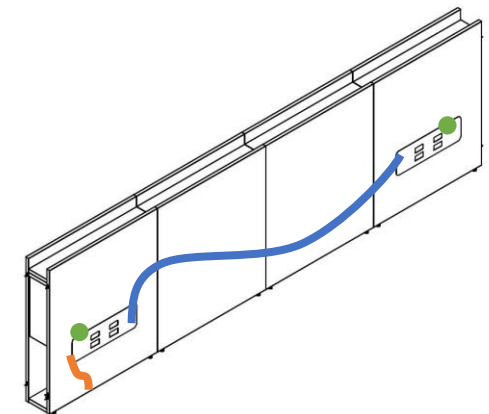
6. Accessories



7. Electricity

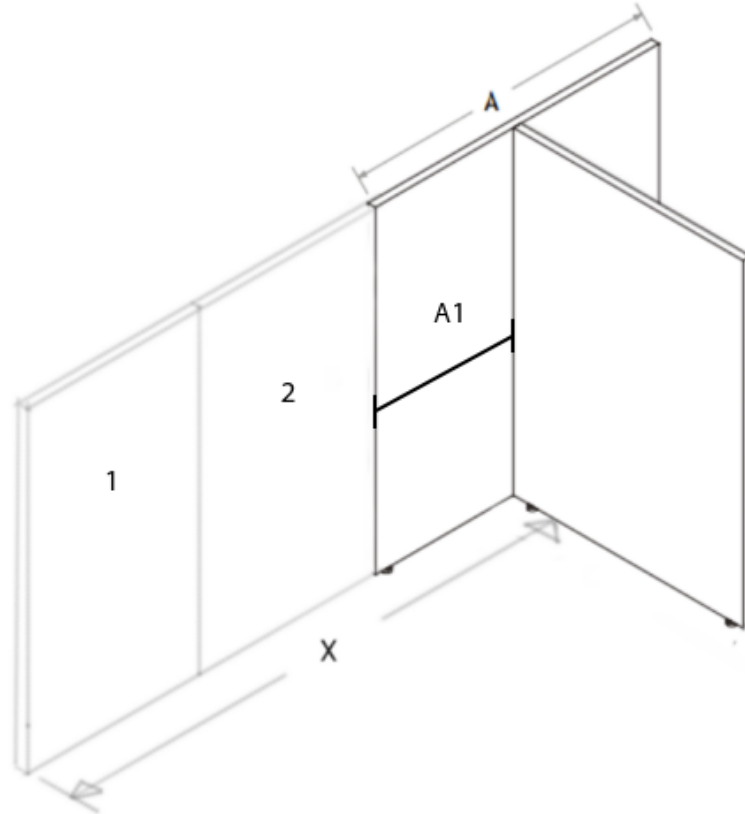


Code	Qté
● BE-PI72	X1
● BE-D20-C-1-BL	X8
● BE-J120	X1
● BE-J36	X1
● BE-J18	X1
● BE-TELA-BL	X4
● BE-TELB-BL	X4
● POR01	X8



Xtension Panels Dimensions

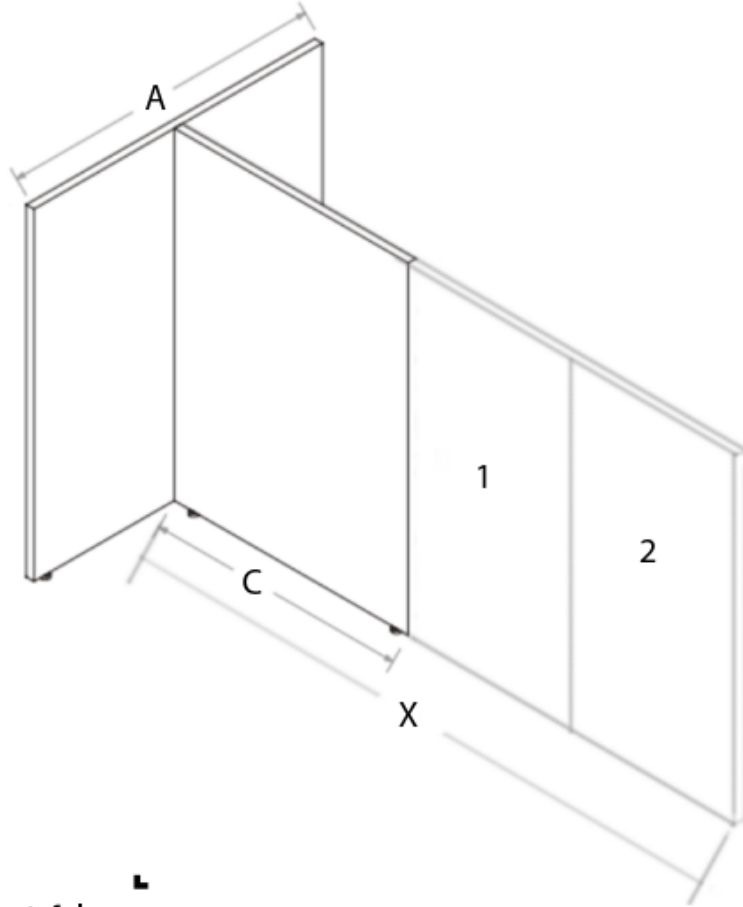
This document is used to find the best dimensions for your layouts, depending on the size you want.



logiflex

PANT A = 13				PANT A = 31			
X	=	1	+	2	+	A1	
84	=	36	+	42	+	6	84
78	=	36	+	36	+	6	78
72	=	30	+	36	+	6	72
66	=	30	+	30	+	6	66
60	=	24	+	30	+	6	60
54	=		+	48	+	6	54
48	=		+	42	+	6	48
42	=		+	36	+	6	42
36	=		+	30	+	6	36
30	=		+	24	+	6	30
24	=		+	18	+	6	24
16	=	n/a	+	n/a	+	n/a	16
PANT A = 21				PANT A = 37			
X	=	1	+	2	+	A1	
84	=	32	+	42	+	10	84
78	=	20	+	48	+	10	78
72	=	20	+	42	+	10	72
66	=	20	+	36	+	10	66
60	=	20	+	30	+	10	60
54	=	20	+	24	+	10	54
48	=	14	+	24	+	10	48
42	=		+	32	+	10	42
36	=		+	26	+	10	36
30	=		+	20	+	10	30
24	=		+	14	+	10	24
16	=		+	6	+	10	16
PANT A = 25				PANT A = 41			
X	=	1	+	2	+	A1	
84	=	36	+	36	+	12	84
78	=	30	+	36	+	12	78
72	=	30	+	30	+	12	72
66	=	24	+	30	+	12	66
60	=		+	48	+	12	60
54	=		+	42	+	12	54
48	=		+	36	+	12	48
42	=		+	30	+	12	42
36	=		+	24	+	12	36
30	=		+	18	+	12	30
24	=		+	12	+	12	24
16	=	n/a	+	n/a	+	n/a	16
PANT A = 13				PANT A = 31			
X	=	1	+	2	+	A1	
84	=	n/a	+	n/a	+	n/a	84
78	=	15	+	48	+	15	78
72	=	15	+	42	+	15	72
66	=	15	+	36	+	15	66
60	=	15	+	30	+	15	60
54	=	15	+	24	+	15	54
48	=	15	+	18	+	15	48
42	=	15	+	12	+	15	42
36	=	15	+	6	+	15	36
30	=		+	15	+	15	30
24	=	n/a	+	n/a	+	n/a	24
16	=	n/a	+	n/a	+	n/a	16
PANT A = 21				PANT A = 37			
X	=	1	+	2	+	A1	
84	=	30	+	36	+	18	84
78	=	30	+	30	+	18	78
72	=	24	+	30	+	18	72
66	=		+	48	+	18	66
60	=		+	42	+	18	60
54	=		+	36	+	18	54
48	=		+	30	+	18	48
42	=		+	24	+	18	42
36	=		+	18	+	18	36
30	=		+	12	+	18	30
24	=		+	6	+	18	24
16	=	n/a	+	n/a	+	n/a	16
PANT A = 25				PANT A = 41			
X	=	1	+	2	+	A1	
84	=	22	+	42	+	20	84
78	=	22	+	36	+	20	78
72	=	22	+	30	+	20	72
66	=	22	+	24	+	20	66
60	=	20	+	20	+	20	60
54	=	14	+	20	+	20	54
48	=	14	+	14	+	20	48
42	=		+	22	+	20	42
36	=	n/a	+	n/a	+	n/a	36
30	=	n/a	+	n/a	+	n/a	30
24	=	n/a	+	n/a	+	n/a	24
16	=	n/a	+	n/a	+	n/a	16

Xtension Panels Dimensions



logiflex

PANT A = 13				PANT A = 31			
X	=	C	+ 1 + 2	X	=	C	+ 1 + 2
84		12	36 36	84		30	24 30
78		12	30 36	78		30	48
72		12	30 30	72		30	42
66		12	24 30	66		30	36
60		12	48	60		30	30
54		12	42	54		30	24
48		12	36	48		30	18
42		12	30	42		30	12
36		12	24	36		30	6
30		12	18	30		30	
24		12	12	24		n/a	n/a n/a
16		n/a	n/a n/a	16		n/a	n/a n/a

PANT A = 21				PANT A = 36			
X	=	C	+ 1 + 2	X	=	C	+ 1 + 2
84		20	22 42	84		36	48
78		20	22 36	78		36	42
72		20	22 30	72		36	36
66		20	22 24	66		36	30
60		20	20 20	60		36	24
54		20	14 20	54		36	18
48		20	14 14	48		36	12
42		20	22	42		36	6
36		n/a	n/a n/a	36		36	
30		n/a	n/a n/a	30		n/a	n/a n/a
24		n/a	n/a n/a	24		n/a	n/a n/a
16		n/a	n/a n/a	16		n/a	n/a n/a

PANT A = 25				PANT A = 41			
X	=	C	+ 1 + 2	X	=	C	+ 1 + 2
84		24	30 30	84		40	20 24
78		24	24 30	78		40	14 24
72		24	48	72		40	32
66		24	42	66		40	26
60		24	36	60		40	20
54		24	30	54		40	14
48		24	24	48		n/a	n/a n/a
42		24	18	42		n/a	n/a n/a
36		24	12	36		n/a	n/a n/a
30		24	6	30		n/a	n/a n/a
24		24		24		n/a	n/a n/a
16		n/a	n/a n/a	16		n/a	n/a n/a



THANK YOU!

www.logiflex.ca